

Energy Efficient Geared Motors

AC Line Operated / European Union

Catalogue Edition 01/24 EN



 **BAUER GEAR MOTOR**[™]
A REGAL REXNORD BRAND

Type Designations

BK 50 Z - 1 1 U W A / D.. 09L A 4 - TF - S / ES 010 A 9 HN / C2

B K 50 Z X - 1 1 U W A

- | | | | | | | | | | A = SSV Cover
- | | | | | | | | | | W = Double Shaft Seals
- | | | | | | | | | | V H = Front and Rear
- | | | | | | | | | | V = Flange A or C or Torque Arm front
- | | | | | | | | | | H = Flange A or C or screw-on Torque Arm rear
- | | | | | | | | | | U = Foot on down or Torque Arm screwed on in upward direction
- | | | | | | | | | | O = Foot on top or Torque Arm screwed on in upward direction
- | | | | | | | | | | R = Foot right or Torque Arm screwed on in the direction to the right
- | | | | | | | | | | L = Foot left or Torque Arm screwed in direction to the left
- | | | | | | | | | | 0 = Splined Shaft acc. to DIN 5480
- | | | | | | | | | | 1 = Solid Shaft, front
- | | | | | | | | | | 2 = Solid Shaft, rear
- | | | | | | | | | | 3 = Solid Shaft, front and rear
- | | | | | | | | | | 4 = Hollow Shaft with Keyway
- | | | | | | | | | | 5 = Hollow Shaft for Shrink disk connection, rear (Standard)
- | | | | | | | | | | 6 = Hollow Shaft for Shrink disk connection, front (Special)
- | | | | | | | | | | 7 = Solid Shaft front, flush with Standard-Flange only BG10-BG90 and BS02+BS03
- | | | | | | | | | | 8 = Solid Shaft rear, flush with Standard-Flange only BS02+BS03
- | | | | | | | | | | 9 = Solid Shaft front and rear, flush with Standard-Flange only BS02+BS03
- | | | | | | | | | | 0 = Gear Housing, no surfaces except torque arm bore for BF
- | | | | | | | | | | 1 = Gear Housing, Foot
- | | | | | | | | | | 2 = Gear Housing, Standard flange diameter 1 small A-Flange
- | | | | | | | | | | 3 = Gear Housing, Standard flange diameter 2 Standard A-Flange
- | | | | | | | | | | 4 = Gear Housing, Standard flange diameter 3 large A-Flange
- | | | | | | | | | | 5 = Gear Housing, with Torque Arm for BK + BS as screw-on
- | | | | | | | | | | 6 = Gear Housing, Foot-threaded bores
- | | | | | | | | | | 7 = Gear Housing, C - Flange
- | | | | | | | | | | 8 = Gear Housing, completely machined
- | | | | | | | | | | 9 = Gear Housing, with Footplate only BG (Universal housing)
- | | | | | | | | | | - = separates gear type from gear design
- | | | | | | | | | | X = reinforced bearings (radial)
- | | | | | | | | | | Z = Gearbox with pre-stage
- | | | | | | | | | | •• = Gear Size (03, 04, 05, 06, 10, 15, 20, 30, 40, 50, 60, 70, 80, 90, 100)
- | | | | | | | | | | B • = Gear type (BG, BF, BK, BS)

D .. 09 L A 4 - TF - S

- | | | | | | | | | | S = rectifier (see chapter 3)
- | | | | | | | | | | TF = Motor monitoring (see chapter 3)
- | | | | | | | | | | 4 = No. of pole for motor
- | | | | | | | | | | LA = Motor core length and design
- | | | | | | | | | | 09 = Motor size
- | | | | | | | | | | .. = A Aseptic motor
- | | | | | | | | | | .. = NF Motor without Gearbox, Motor in flange design
- | | | | | | | | | | .. = PE Three-Phase Motor with increased efficiency acc. to IE3
- | | | | | | | | | | D = Three-Phase Motor

ES 010 A 9 HN

- | | | | | | | | | | HA = Hand Release (lockable)
- | | | | | | | | | | HN = Hand Release (none lockable)
- | | | | | | | | | | 9 = Code for setting torque
- | | | | | | | | | | A = Design
- | | | | | | | | | | 010 = Brake size
- | | | | | | | | | | ES = Single disk brakes - HOLDING BRAKE
- | | | | | | | | | | ZS = Double disk brakes - HOLDING BRAKE
- | | | | | | | | | | ESX = Single disk brakes - WORKING BRAKE
- | | | | | | | | | | ZSX = Double disk brakes - WORKING BRAKE

Table of contents

1	General	15
	Advantages of Bauer-Geared Motors	17
	Bauer-Gearmotors	17
	Bauer-Gearboxes	17
	Bauer-Motors	17
	Bauer-Brakes	17
2	Product Description	19
	Selection of geared motors	21
	Installed positions of geared motors	21
	Notes on safety	21
	Guards for rotating parts	21
	Touch protection	21
	Operating noise	21
	Painting and corrosion protection.....	21
	Modular system overview	22
3	Type Designations	25
	Significance of type designation	27
	BG-series helical-geared motor	28
	BF-series shaft-mounted geared motor	29
	BK-series bevel-geared motor	30
	BS-series worm-geared motor	31
	Versions and options	32
	BG and BF series	32
	BK and BS series	32
	Motor	33
	Three-phase motor	33
	Motor protection	33
	Brake rectifier in motor terminal box	33
	Plug connector	33
	Heavy-duty fan	33
	Protective cover	33
	CleanDrive	33
	Motor Mounted Components	34
	Brake	34
	Reverse rotation block	34
	Digital and analogue encoder	34
	Second shaft end	34
	Forced ventilation	34
	Overall design	34
4	Gear Motor Selection	35
	Selection of geared motors	37
	Drive configuration	38
	Drive configuration General	38
	Required data for drive configuration	38
	Determining the motor power	39
	Determining the required torque	39
	Determining the gear reduction ratio	39
	Determining the factor of inertia	39
	Determining the shock load	40
	Determining the minimum service factor f_{Bmin}	40
	Brake specification	40
	Motor configuration	41
	Torque-speed characteristic	41
	Dynamic power	42
	Static power	42
	Total power P_G	42
	Motor selection	43
	IE2	43
	IE1	43

Energy Efficient Geared Motors

Table of contents

No-load cycle rate Z_0	44
Load factor K_L	44
Radial and axial forces on the output shaft	45
Radial and axial forces on the output shaft	45
Maximum allowable radial force at force application point X	45
Bearing load limit	45
Shaft strength	46
Helical gear unit BG series	46
Shaft-mounted gear unit BF series	47
Bevel gear unit BK series	48
Worm gear unit BS series	48
Transmission components	49
Factor f_z for the type of transmission component	49
Axial force	49
Sizing based on efficiency	50
Drive configuration based on efficiency	50
Savings potential Motor: η_{motor}	50
Calculation of the efficiency under partial load	50
Gear efficiency η_{gear}	51
System efficiency η_{system}	51
Shock loads of machinery	52
5 Gearboxes & Lubrication	55
Standard mounting positions	57
Position of the terminal box	59
Position of the terminal box and the cable entry points (BG and BF)	59
Position of the terminal box and the cable entry points (BK and BS)	60
Gearboxes	61
Radial and axial forces at the output shaft	61
Dimensions and fits of output shafts and keyways	61
Installing transmission elements	61
Gear with solid shaft	61
Gear with hollow shaft	61
Shrink disc coupling	61
Torque restraint	62
Notes for installing shaft mount gears with hollow shaft and keyway	62
Gear ventilation	62
Output shaft seals	62
Lubricants	63
Lubricant quantities	64
Lubricant quantities, BG-series gears	65
Lubricant quantities, BG20-01R	66
Lubricant quantities, BF-series gears	67
Lubricant quantities, BK-series gears	68
Lubricant quantities, BS-series gears	69
Lubricant quantities, pre-stage gears (Z)	70
Lubrication quantity for intermediate gear	71
Threaded plugs	72
Position of threaded plugs	
-BG-series gears	72
-BG-20-01R	73
-BF-series gears	74
-BK-series gears	75
-BS-series gears	76
-pre-stage gears (Z)	77
-in the System Cover Design with Standard Geared Motor	78
-in the System Cover Design with foreign motor or gear design with input shaft	79
-in the System Cover Design with pre-stage Z	80
6 BG-series helical-geared motors - Selection	81
Description of helical-geared units	83
Sizes	83
Bauer service factors (f_b) for helical- geared motors	83
Continuous operation without switching frequency $Z \leq 1/h$	83
Switching duty	83
Bauer service factor	83
Explanation of shock classification	84

Key to abbreviations	84
Selection tables, helical-gear motors	84
Selection helical-gear motors	85
7 BF-series shaft-mounted geared motors - Selection	131
Description of shaft-mounted gear units	133
Sizes	133
Bauer service factors (f_B) for shaft-mounted geared motors	133
Continuous operation without switching frequency $Z \leq 1/h$	133
Switching duty	133
Bauer service factor	133
Explanation of shock classification	133
Key to abbreviations	134
Selection tables shaft-mounted geared motors	134
Selection - shaft-mounted geared motors	135
8 BK-series bevel-gear motors - Selection	171
Description of bevel-gear units	173
Sizes	173
Bauer service factors (f_B) for bevel-gear motors	173
Continuous operation without switching frequency $Z \leq 1/h$	173
Switching duty	173
Bauer Service factor	173
Explanation of shock classification	174
Key to abbreviations	174
Selection tables, bevel-gear motors	174
Selection - bevel gear motors	175
9 BS-series worm-gear motors - Selection	207
Description of worm-gear units	209
Sizes	209
Efficiency	209
Bauer service factors (f_B) for worm-gear motors	209
Continuous operation without switching frequency $Z \leq 1/h$	209
Switching duty	210
Ambient temperature	210
Bauer service factor	210
Explanation of shock classification	210
Key to abbreviations	211
Selection tables, worm-gear motors	211
Selection - worm-gear motors	212
10 BG-series helical-gear motors - Dimensions	233
Dimension - Standard	235
BG04	235
BG05	236
BG06	237
BG10-BG10Z	238
BG10X-BG10XZ	240
BG15	243
BG20-BG20Z	244
BG30-BG30Z	246
BG40-BG40Z	248
BG50-BG50Z	250
BG60-BG60Z	252
BG70-BG70Z	254
BG80-BG80Z	256
BG90-BG90Z	258
BG100-BG100Z	260
Dimension - Tandem Gearbox	263
BG06G04	263
BG10G06	264
BG10XG06	266
BG20G06	268
BG30G06	270
BG40G10	272
BG50G10	274

Energy Efficient Geared Motors

Table of contents

BG60G20	276
BG70G20	278
BG80G40	280
BG90G50	282
BG100G50	284
11 BF-series shaft-mounted geared motors - Dimensions	287
Dimension - Standard	288
BF06	288
BF10-BF10Z	290
BF20-BF20Z	292
BF30-BF30Z	294
BF40-BF40Z	296
BF50-BF50Z	298
BF60-BF60Z	300
BF70-BF70Z	302
BF80-BF80Z	304
BF90-BF90Z	306
Dimension - Tandem Gearbox	308
BF10G06	308
BF20G06	310
BF30G06	312
BF40G10	314
BF50G10	316
BF60G20	318
BF70G20	320
BF80G40	322
BF90G50	324
Additional Dimension Sheet	327
Splined shaft	327
Shrink disc coupling (SSV)	328
Shrink disc coupling with (SSV) cover	329
Tapped Holes Side (H) → Shaft Cover	330
Rubber buffer for torque restraint	331
Assembly tools for hollow shaft and keyway	332
Assembly tools for shaft mounted gears with splined shaft	334
Shaft cap (VK)	336
Shaft cover (VD)	337
12 BK-series bevel-geared motors - Dimensions	339
Dimension - Standard	340
BK06	340
BK08	342
BK10-BK10Z	344
BK17	346
BK20-BK20Z	348
BK30-BK30Z	350
BK40-BK40Z	352
BK50-BK50Z	354
BK60-BK60Z	356
BK70-BK70Z	358
BK80-BK80Z	360
BK90-BK90Z	362
Dimension - Tandem Gearbox	364
BK10G06	364
BK20G06	366
BK30G06	368
BK40G10	370
BK50G10	372
BK60G20	374
BK70G20	376
BK80G40	378
BK90G50	380
Additional Dimension Sheet	383
Splined shaft	383
Shrink disc couplings (SSV)	384
Shrink disc connection with cover (SSV)	385

Rubber buffer for torque arm	386
Position of the torque arm	387
Foot with tapped holes	388
Foot plate with clearance holes	389
Assembly tools for hollow shaft and keyway	390
Assembly tools for splined shaft	392
Shaft cap (VK)	394
Shaft cover (VD)	395
13 BS-series worm-gearred motors - Dimensions	397
Dimension - Standard	398
BS02	398
BS03	400
BS04	402
BS06	404
BS10-BS10Z	406
BS20-BS20Z	408
BS30-BS30Z	410
BS40-BS40Z	412
Dimension - Tandem Gearbox	414
BS06G04	414
BS10G06	416
BS20G06	418
BS30G06	420
BS40G10	422
Additional Dimension Sheet	424
Shrink disc couplings (SSV)	424
Shrink disc couplings with (SSV) cover	425
Rubber buffer for torque arm	426
Position of the torque arm	427
Threaded foot	428
Foot plate, left	429
Assembly tools for hollow shaft and keyway	430
Shaft cap (VK)	432
Shaft cover (VD)	433
14 Motors	435
General	437
ErP Directive 2009/125/EC	437
Regulation (EU) 2019/1781	438
Torques	440
Line voltages	440
Line frequencies	441
Rating plate	441
Terminal box	441
Motor connections	442
Terminal connections for single speed motors	443
Terminal connections for single speed motors with thermal motor protection	444
Terminal connections for pole changing motors in Dahlander connection (Δ/YY or Y/YY)	445
Terminal connections for pole changing motors with two separate windings (Y/Y or Δ/Δ)	446
Plug-and-socket connection	447
Motor protection	448
Thermistors (PTC)	448
Thermostatic protection	449
KTY sensors	450
PT100 sensors	451
Insulation	452
IP – Protection classes	452
Degrees of protection provided by enclosures for electrical equipment.....	452
Speed of output shaft	453
Duty types as defined by EN 60034	454
General	454
Continuous running duty (S1)	454
Short-time duty (S2)	454
Intermittent periodic duty (S3)	455
Intermittent periodic duty with starting (S4)	456
Intermittent periodic duty with electric braking (S5)	457

Energy Efficient Geared Motors

Table of contents

Continuous-operation periodic duty (S6)	458
Continuous-operation periodic duty with electric braking (S7)	458
Continuous-operation periodic duty with relative load/speed changes (S8)	459
Duty with non-periodic load and speed variations (S9)	459
Duty with discreet constant loads and speeds (S10)	460
Operation with frequency converter	461
Notes on design	461
Increased torque with reduced duty factor	461
Increased torque with external fan	461
Energy-saving function	462
Regeneration	462
Notes on operation with other-make frequency inverters	462
Technical data	463
Continuous operation S1, 50 Hz.....	463
4-pole motors for continuous operation S1, line frequency 50 Hz.....	463
4-pole IE2 motors for continuous operation S1, line frequency 50 Hz.....	464
4-pole IE3 motors for continuous operation S1, line frequency 50 Hz.....	466
Operation with frequency converter, 50 Hz	468
IE2 Motor torques for frequency-converter range 5 Hz - 70 Hz, line frequency 50 Hz	468
IE2 Motor torques for frequency-converter range 5 Hz - 120 Hz, line frequency 50 Hz	469
IE3 Motor torques for frequency-converter range 5 Hz - 70 Hz, line frequency 50 Hz	470
IE3 Motor torques for frequency-converter range 5 Hz - 120 Hz, line frequency 50 Hz	471
Intermittent operation S3/S6, 50 Hz.....	472
4-pole motors for periodic intermittent operation S3/S6-75 %, mains frequency 50 Hz.....	472
4-pole motors for periodic intermittent operation S3/S6, mains frequency 50 Hz	473
Continuous operation S1, 60 Hz	475
4-pole motors for continuous operation S1, mains frequency 60 Hz.....	475
4-pole IE2 motors for continuous operation S1, mains frequency 60 Hz.....	476
4-pole IE3 motors for continuous operation S1, line frequency 60 Hz.....	478
Operation with frequency converter, 60 Hz	480
IE2 Motor torques for frequency-converter range 5 Hz - 80 Hz, line frequency 60 Hz	480
IE2 Motor torques for frequency-converter range 5 Hz - 120 Hz, line frequency 60 Hz	481
IE3 Motor torques for frequency-converter range 5 Hz - 80 Hz, line frequency 60 Hz	482
IE3 Motor torques for frequency-converter range 5 Hz - 120 Hz, line frequency 60 Hz	483
Intermittent operation S3/S6, 60 Hz.....	484
4-pole motors for periodic intermittent operation S3/S6-75 %, mains frequency 60 Hz.....	484
4-pole motors for periodic intermittent operation S3/S6, mains frequency 60 Hz	485
15 Motor Mounted Components	487
Brake	489
Functional description	489
Product description of type ES(X) spring-actuated brakes	489
Product description of type ZS(X) spring-actuated brakes	490
Brake selection and sizing	491
Electrical connection	494
Specifications of holding brakes with emergency stop capability	497
Specifications of working brakes	498
Connection	500
DC connection via terminals (K)	500
Standard rectifier (S)	501
Rectifier for electronic rapid shutdown (E)	502
Rectifier for overexcitation and rapid shutdown (M)	503
Brake connection, operation with frequency converter	505
Brake connection, pole-changing motors	505
Manual release (HA, HN)	505
Explosion protection	505
Back stop (RR, RL)	505
Second motor shaft extension (ZW, ZV)	506
Protective fan cowl (D)	506
Motor-independent fan (FV)	506
Technical Data Motor-independent fan	506
Encoder System	507
Shaft encoder (G)	507
Incremental rotary encoder	508
Functional description	508
Electrical specifications	508
Plug end view with male pin insert	508

Signal assignments	508
Absolute rotary encoders	509
Functional description	509
Profibus DP interface	509
SSI interface	510
Modular Motorsystem	511
Motor and encoder	511
Motor, brake and encoder	511
Motor and forced ventilation	511
16 Motor Mounted Components - Dimensions	513
Dimensions	515
Standard terminal box	515
Terminal box screwed on	516
Terminal box for plug-connector	517
Motor with standard brake	518
“Heavy-Duty“ - brake	519
Motor with back stop	520
Motor with second shaft end	521
Motor with brake and second shaft end	522
Motor with “heavy duty“ brake and second shaft end	523
Motor with protective hood	524
Motor with independent fan	525
Motor with brake and independent fan	526
Motor with encoder with built-on independent fan	527
Motor with brake and encoder with built-on independent fan	528
Motor with encoder	529
Motor with “heavy duty“ encoder	530
Motor with brake and encoder	531
Motor with “heavy duty“ brake and encoder	532
Motor in IEC design	533
17 BAUER global	535
North America	537
Latin America	538
Europe	539
Eastern Europe	542
Middle East & Africa	543
APAC	544
China	545

Energy Efficient Geared Motors

Bauer Gear Motor - profile

Innovation since 1927

During its 90-year history, Bauer Gear Motor has developed to become the preferred international provider of high-quality and extremely reliable geared motors. A great deal of knowledge has been accrued over the decades, and this has continually been built upon and shared. Bauer has pioneered many new geared motor solutions and will continue to do so in the future. Our engineers develop technically-advanced solutions that feature energy-efficient motors paired with optimal gearboxes so that we can offer our customers the lowest possible operating costs. It is not without reason that the Bauer brand has become world famous; this is because our geared motor solutions are the driving power in drive technology.



Competent and customer-focused

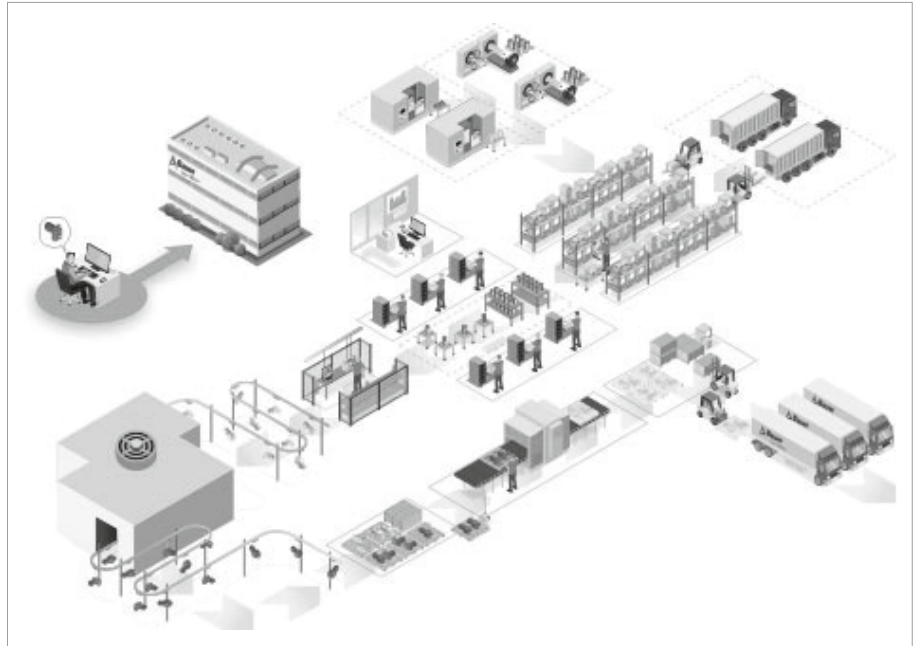
We see ourselves as the value adding partner for individual drive technology solutions along the entire customer value chain ... **Uncomplicated ... Competent ... Enduring.** With our global sales and expertise, we are there to support you side by side- right from the design of your drive. Our employees will ensure that you have the optimum geared motor solution for your application

Our quick response time to requests ensures that you receive the required offer within 24 hours. After your order has arrived, we check your order details and you will receive a confirmation of the order within 24 hours. This means that you will have the details for your own production planning process by the following day.

As we concentrate our production in regional factories, we are also able to deliver customised solutions from the factory reliably and directly, with an extremely short delivery period.

Energy Efficient Geared Motors

Bauer Gear Motor - profile



Closer to the customer's needs thanks to greater flexibility

Orders are processed immediately and passed on to our production team. By reducing set-up times, we are able to start producing the order specific parts right away. This is synchronised with assembly, ensuring that the parts are available according to just-in-time principles.

The entire manufacturing processes starting from the production of the motor, the mechanical geared motor parts and the electrical components, are perfectly coordinated to ensure greater process reliability and availability. This means that a high delivery reliability of over 95% can be achieved, while maintaining Bauer's high quality.

The product range



Energy Efficient Geared Motors

Bauer Gear Motor - profile

Helical Geared Motors

- Power range from 0.03 kW to 75 kW
- 13 gear sizes for torques ranging from 20 Nm to 18500 Nm
- New attachment possibilities with low design height
- High efficiency through 2-stage base design
- High protection rating of IP65 as standard

Shaft Mounted Geared Motors

- Power range from 0.03 kW to 75 kW
- 10 gear sizes for torques ranging from 90 Nm to 18500 Nm
- Gearbox housing with integral torque arm
- High efficiency through 2-stage base design
- High protection rating of IP65 as standard

Bevel Geared Motors

- Power range from 0.03 kW to 75 kW
- 10 gearbox sizes for torques ranging from 80 Nm to 18500 Nm
- Right angle with universal, space-saving mounting options
- High efficiency through 2-stage base design
- High protection rating of IP65 as standard

Worm Geared Motors

- Power range from 0.03 kW to 5.5 kW
- 8 gearbox sizes for torques ranging from 25 Nm to 1000 Nm
- Hollow shaft version available from 25 Nm
- Heavy duty worm gearing for a long service life
- High protection rating of IP65 as standard

Monorail Geared Motor Drives

- Torque rating from 30 Nm to 680 Nm
- Radial force up to 25,000 N
- Gearboxes with a wide range of mounting options
- High protection rating of IP65 as standard
- Improved efficiency
- low energy consumption - ideal for travel drives
- Reverse motion of gearbox possible with released brake

AsepticDRIVE

- Motor without cooling ribs and fan
- Available with helical, shaft-mounted, bevel and worm gearboxes
- Motor winding with thermistors and ISO class F as standard
- IP67 and IP69K protection ratings with alkali and acid-resistant coating as standard.
- Motor connection through standard, round stainless steel connector

CleanDRIVE

- Motor without cooling ribs and fan
- Available with helical, shaft-mounted, bevel and worm gearboxes
- Motor winding with thermistors and ISO class F as standard
- Motor connection through a standard terminal box or stainless steel cable gland

Energy Efficient Geared Motors

Bauer Gear Motor - profile

HiflexDRIVE

BK04 gearbox

- Torque 80 Nm
- Gear reductions 7.25 – 63.33

BK08 gearbox

- Torque 200 Nm
- Gear reductions 4.44 - 102.5

BK17 gearbox

- Torque 330 Nm
- Gear reductions 4.54 - 108.6

Motors

- Output power 0.12 kW ... 3.0 kW
- Efficiency classes no rating and IE1 to IE4
- Enclosure IP65 (standard)
IP67 / IP69K (optional)

Energy-efficient motor solutions

Mains Supply

- IE1 asynchronous technology 0.12 kW – 45 kW
- IE2 asynchronous technology 0.12 kW – 45 kW
- IE3 asynchronous technology 0.12 kW – 45 kW
- IE4 asynchronous technology 0.55 kW – 4 kW

Inverter Duty

- IE3 PMSM-technology 1.5 kW – 15 kW
- IE4 PMSM-technology 0.55 kW – 11 kW

Energy-efficient motor solutions for explosion hazard areas

The S series in permanent magnet synchronous motors (PMSMs) offers variable-speed geared motors in efficiency class IE4 for use in explosion hazard areas^[1].

- Design torque M_N : 5 Nm – 48 Nm
- Rated power P_N : 0.75 kW – 15 kW
- Increased safety for zone 1 II 2 G Ex e IIC T1 - T3 Gb
- Dust explosion protection – Zone 21 II 2 D Ex tb IIIC T 160°C ... 120° Db

^[1] Individual motor designs can show lower efficiency classes than IE4 at rated torque.

EtaK2.0 Decentral Solutions

- PMSM enabled
- Integrated safety technology and field bus communication according to specific needs
- Modular structure minimises spare parts stock
- Energy savings of up to 30 % possible under partial load conditions
- Suited to extremely harsh environments thanks to IP65 enclosure rating
- 200 % overload current (3 s)
- Sensorless vector control
- CANopen, Profibus, Profinet, EtherCAT, EtherNet/IP and AS-Interface
- STO safety function

Energy Efficient Geared Motors

Bauer Gear Motor - profile

Submersible Solutions

- **Special sealing concepts** for maximum leakage protection
- **Reinforced bearings** for higher strength and longer service life
- **Shafts** available on request in V4A steel or coating
- **Motor Connection**
 - Standard with cast terminal box
 - Optional with special plug connection
- **Additional features:**
 - Special design for continuous submersible operation
 - Electronic leakage detection available on request
 - Brakes available in IP68 design
 - Water depths of 5m (deeper on request)
- **Corrosion category Im2** based on DIN ISO 12944-5

Customised geared motor solutions for all applications

- Special applications
- Special adaptations
- Special environments
- Series production

Based on our modular, geared motor programme, we offer specific solutions for applications in all key markets such as, for example, food & beverage, energy, wastewater, concrete, metals and material handling in applications such as washdown conveyor systems, rolling mills, monorail systems and overhead conveyors, sludge thickeners, cranes, fans and blowers and turbines. Our aim is to provide our customers with products tailored to their needs. At the same time, we take care to ensure that a geared motor solution will prove to be especially profitable throughout its entire life cycle.

We already equip our geared motors with highly efficient permanent magnet motors to achieve low life cycle costs because low energy consumption will be particularly important in the future. We are very confident that we are once again pioneers in this sector

Learn more about Bauer Gear Motor, its products and philosophy at www.bauergears.com.



General

Advantages of Bauer-Geared Motors	17
Bauer-Gearmotors	17
Bauer-Gearboxes	17
Bauer-Motors	17
Bauer-Brakes	17

Energy Efficient Geared Motors

AC Line Operated / European Union

1

Bauer-Gearmotors

- Low operating costs due to a high total efficiency
- 2-stage gearbox concept gives a longer lifetime due to a reduced number of moving parts
- Lower servicing costs due to a modular system
- No additional protective measures (e.g. dusty environment) through the IP65 enclosure as standard
- The electrical design of the motor is aligned to the gearbox
- Quick reaction time in emergency situations (Breakdowns etc.) through Fast Assembly Delivery (within 24 hours)

Bauer-Gearboxes

- Easy access to the fixation points reduces assembly times and installation costs
- Low servicing costs as the lubrication change results in normal duty with a lubrication temperature of approx. 80 °C first after 15 000 operating hours when using CLP 220 or 25 000 operating hours when using PGLP 220 / PGLP 460.
- 2-stage gearbox concept reduces the spare part stocking
- A variety of attachment possibilities (Foot, Flange, Solid and Hollow shafts, Torque arms)
- Sealed housing design reduces the risk of oil leakage and increases the oil lifetime
- The large housing volume allows usage in very harsh environments

Bauer-Motors

- Low operating costs due to high motor efficiencies (IE1, IE2, IE3 and IE4 as Standard)
- All efficiency classes in the same motor frame size. No motor size change.
- Low installation costs through CAGE CLAMP® instead of the classical terminal block connection
- A variety of additional designs (connectors, brakes, backstops, rain covers, forced cooling, encoders etc.)
- Cost reduction of connection cabling and avoidance of additional protective elements (chokes, filters etc.), through built-on inverters (ETA-K2.0)
- Ideal for frequency inverter duty through insulation class F as standard

Bauer-Brakes

- Low servicing costs through long lifetime of the brake discs (without adjustment)
- Brake-Motor correlation tailor made to the application by virtue of on average three brake sizes per motor size
- A variety of designs (lockable and non-lockable hand release, microswitch, heaters)
- Robust design for heavy duty applications
- Enclosure IP65 as Standard
- Very high wear resistance

Energy Efficient Geared Motors

AC Line Operated / European Union



2

Product Description

Selection of geared motors	21
Installed positions of geared motors	21
Notes on safety	21
Guards for rotating parts	21
Touch protection	21
Operating noise	21
Painting and corrosion protection	21
Modular system overview	22

Product Description

Selection of geared motors

2

Installed positions of geared motors	Bauer geared motors can be supplied for any type of fitting position. Vertical installation positions (motor-down) place a particularly severe strain on the shaft seal. It is advisable to avoid this arrangement especially at high motor speeds (e.g. above 1800 r/min) and continuous operation.
Notes on safety	See the notes on safety regarding installation in Operating Instructions.
Guards for rotating parts	<p>The shrink disk (SSV) guards required under the German law relating to technical materials (Law Concerning Industrial Equipment - Equipment safety law GPSG) or by the Accident Prevention Regulations (UVV) are not included in the standard scope of supply because they are fitted by the customer in most cases, or the risk of accident can be eliminated by suitable installation.</p> <p>See the Operating Instruction.</p>
Touch protection	The fan hoods, via the externally mounted fan wheels, of the entire B2000 motor series fulfil the protection against contact with the standard finger (Ø12 mm).
Operating noise	<p>The typical operating noise levels of BAUER geared motors are within the limits stipulated by VDI directive 2159 for gears and EN 60034-9, Table 2 for motors.</p> <p>For physical reasons, low-ratio, high-speed gears produce more noise than medium- and high-ratio gears operating at low speeds.</p>
Painting and corrosion protection	<p>BAUER geared motors are spray-painted in RAL 7031 to DIN 1843 as standard. Other RAL colours are available at extra cost.</p> <p>The output shafts are shipped in protective sleeves or with a protective coating to prevent corrosion.</p> <p>The prerequisite for achieving a long protection period is the right choice of coating. The coating system from Bauer Gear Motor GmbH, based on DIN EN 12944-5, offers suitable and long-lasting corrosion protection for all areas of application.</p>

Category	Loads	Examples of indoor areas	Examples of outdoor areas	Possible IP-Protection class
Standard	Insignificant	Insulated and heated buildings with neutral atmosphere	—	IP54 IP65
C1	Insignificant	Insulated and heated buildings with neutral atmosphere	—	IP54 IP65
C2	Low	Uninsulated and unheated buildings where condensation can occur, e.g. warehouses, sports halls	Atmosphere with low corrosive load, mostly rural areas	IP54 IP65
C3	Moderate	Production rooms with high relative humidity and some air pollution, e.g. facilities for food production, laundries, breweries, dairies	Urban and industrial atmosphere, moderate pollution by sulphur dioxide. Moderate coastal area with low salt pollution	IP65 IP66
C4	Strong	chemical plants, swimming pools, objects above sea water	Industrial and coastal areas with moderate salt exposure	IP65 IP66
C5-I	Very strong (industry)	areas with almost constant condensation and heavy contamination	Industrial areas with high relative humidity and aggressive atmosphere	IP66
C5-M	Very strong (sea)	areas with almost constant condensation and heavy contamination	Coastal and offshore areas with high salt pollution, buildings with almost constant condensation and heavy air pollution	IP66
IM2	Sea or brackish water	IP68 Underwater Drives	Port areas, lock gates, moles, offshore installations	IP68
Aseptic (proprietary development of Bauer)	Very strong	For indoor and outdoor use with very high environmental pollution and in hygiene-sensitive areas, in each case with high-pressure cleaning with chemical cleaning agents		IP67/IP69K

Duration of protection according to DIN EN ISO 12944-5: medium (M) 5 to 15 years

Product Description

Modular system overview

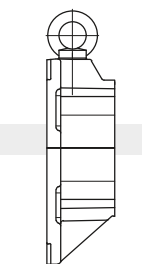
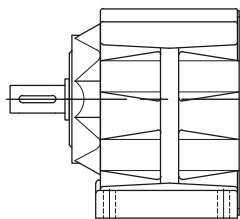
Gear design

Motor terminal box design

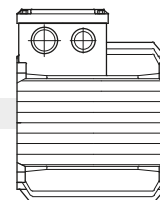
2

BG

Helical gear



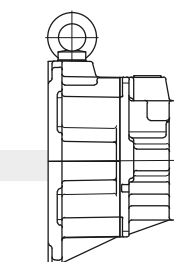
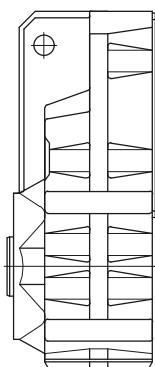
System cover



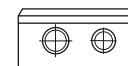
Motor with cast-on terminal box (KAG)

BF

Shaft-mounted gear



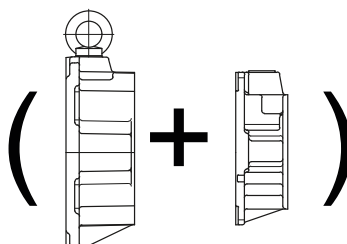
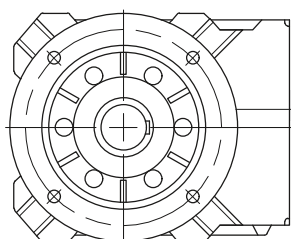
Pre-stage



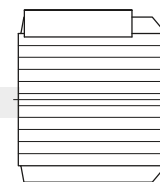
Motor with screwed-on terminal box (TB)

BK

Bevel gear

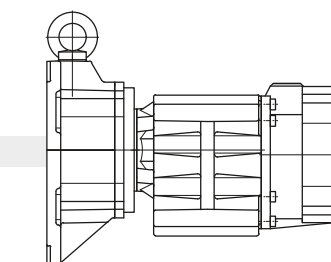
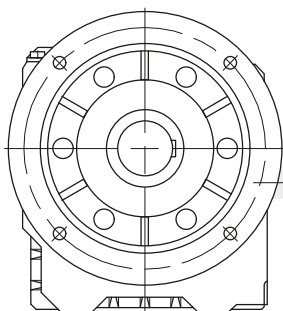


Pre-stage + System cover

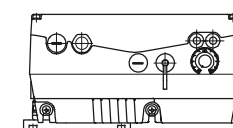


BS

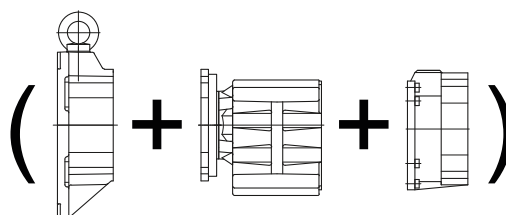
Worm gear



Intermediate gear



Motor with ETA-K-Converter

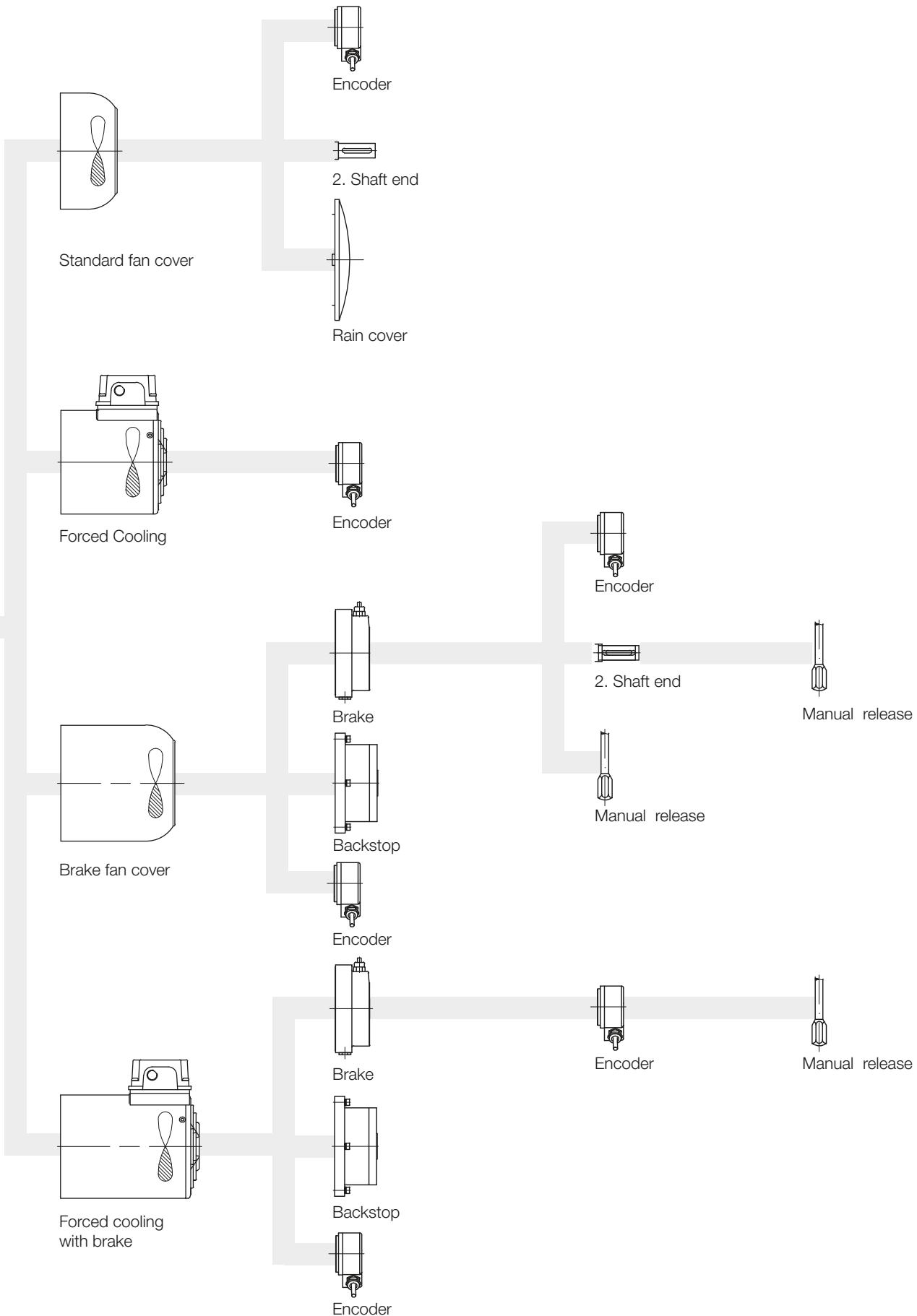


(System cover + Intermediate gear + System cover)

Covers B-Side

Extensions
Standard Motor

Extensions Motor
with Brake



Energy Efficient Geared Motors

AC Line Operated / European Union

BAUER		73734 Esslingen Made in Germany	
3-Mot.-No. E 11115465-1	A/ 189D5829	44/2020	
Typ: BK50-34V/DPE16XB4-TF			
15 kW	cosφ	0,82	S1
50 Гц		380 В	30,5 А
n _n 1470	n ₂	280 об/мин	i 5,28
5-50-60 Гц	51-380-380 В		0,9-15-17,8 кВт
	FU	100%	IE3 - 92,1 %
IM H3	IP 65	5,8 l	PGLP 220
	t _{amb} -20 ... 40 °C		190,3 кг
CE		SCH03 EN60034	

3

Type Designations

Significance of type designation	27
BG-series helical-geared motor	28
BF-series shaft-mounted geared motor	29
BK-series bevel-geared motor	30
BS-series worm-geared motor	31
Versions and options	32
BG and BF series	32
BK and BS series	32
Motor	33
Three-phase motor	33
Motor protection	33
Brake rectifier in motor terminal box	33
Plug connector	33
Heavy-duty fan	33
Protective cover	33
CleanDrive	33
Motor Mounted Components	34
Brake	34
Reverse rotation block	34
Digital and analogue encoder	34
Second shaft end	34
Forced ventilation	34
Overall design	34

Energy Efficient Geared Motors

AC Line Operated / European Union

3

Type Designations

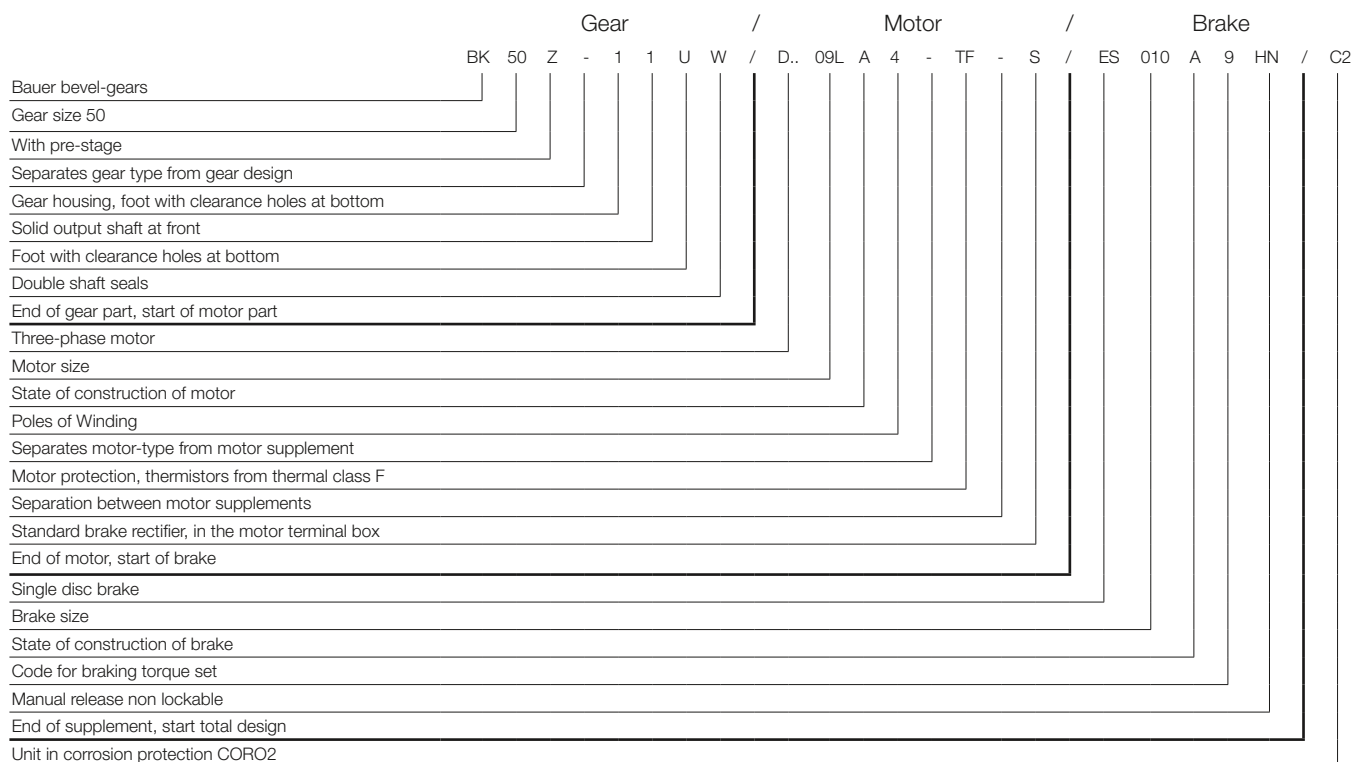
Significance of type designation

Example: Bauer bevel-gear motor with brake and standard add-ons

Significance of type designation

The type designation of a BAUER geared motor is a code designating all the features in the drive configuration.

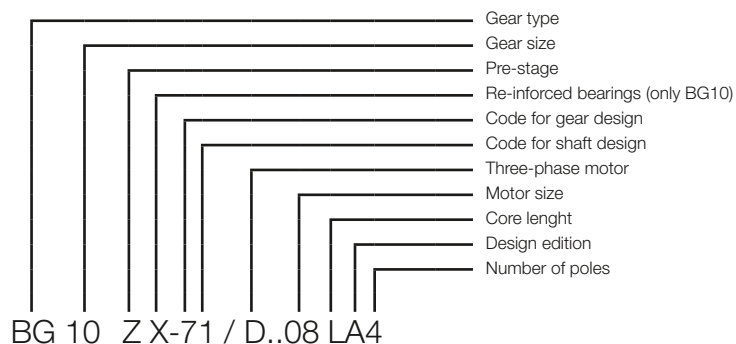
The build-up of the type designation is explained with the help of the following example of a bevel geared motor with brake and series options.



Type Designations

BG-series helical-geared motor

3



Z- Gear with pre-stage
 G- Tandem gear

1 Foot with clearance holes

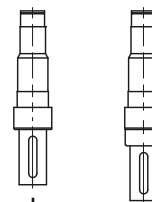
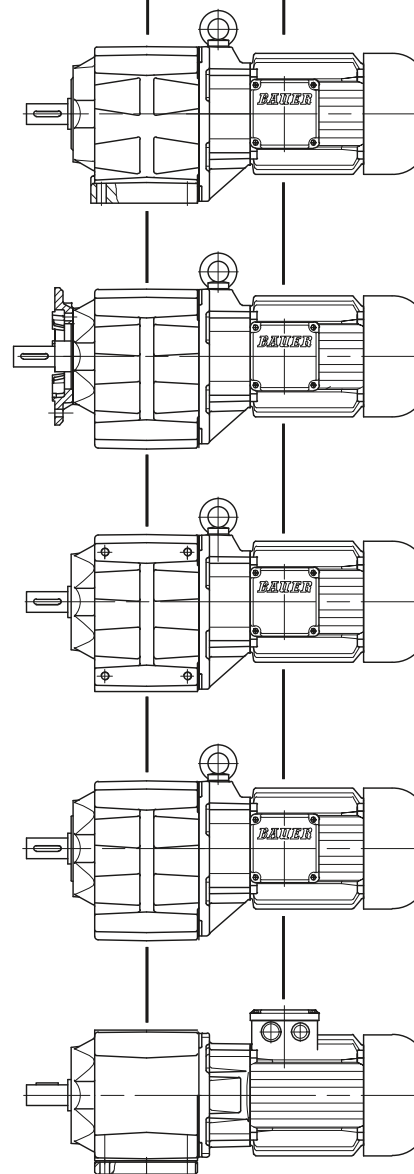
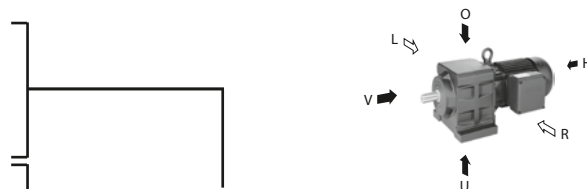
2 Small A-flange with clearance holes
 3 Standard A-flange with clearance holes
 4 Large A-flange with clearance holes

6 . L Foot with tapped holes, left
 6 . R Foot with tapped holes, right
 6 . LR Foot with tapped holes, left and right

7 C-flange with threaded holes
 8 Completely machined

9 . L Foot plate, left
 9 . R Footplate, right
 9 . LR Footplate, left and right

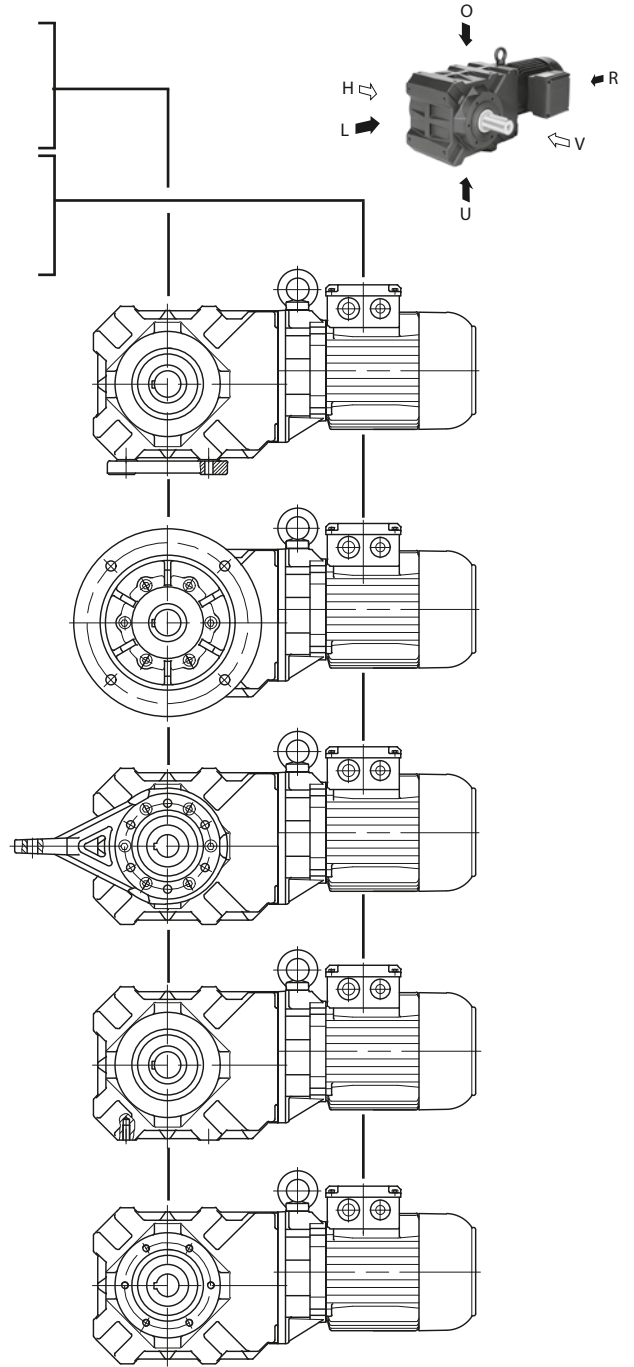
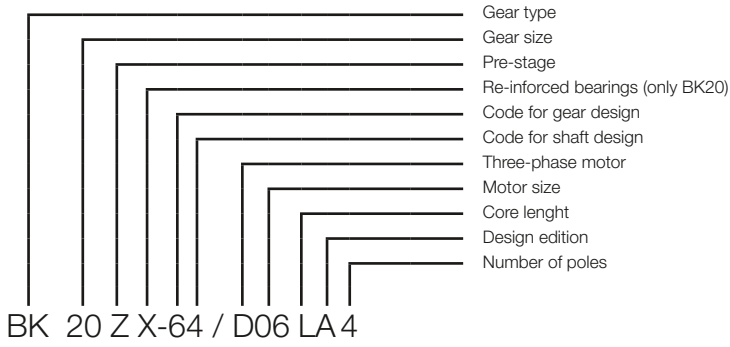
. 1 Solid shaft on gear side V
 . 7 Solid shaft on gear side V for flange as from BG10
 .. W Double shaft seals



Type Designations

BK-series bevel-gear motor

3



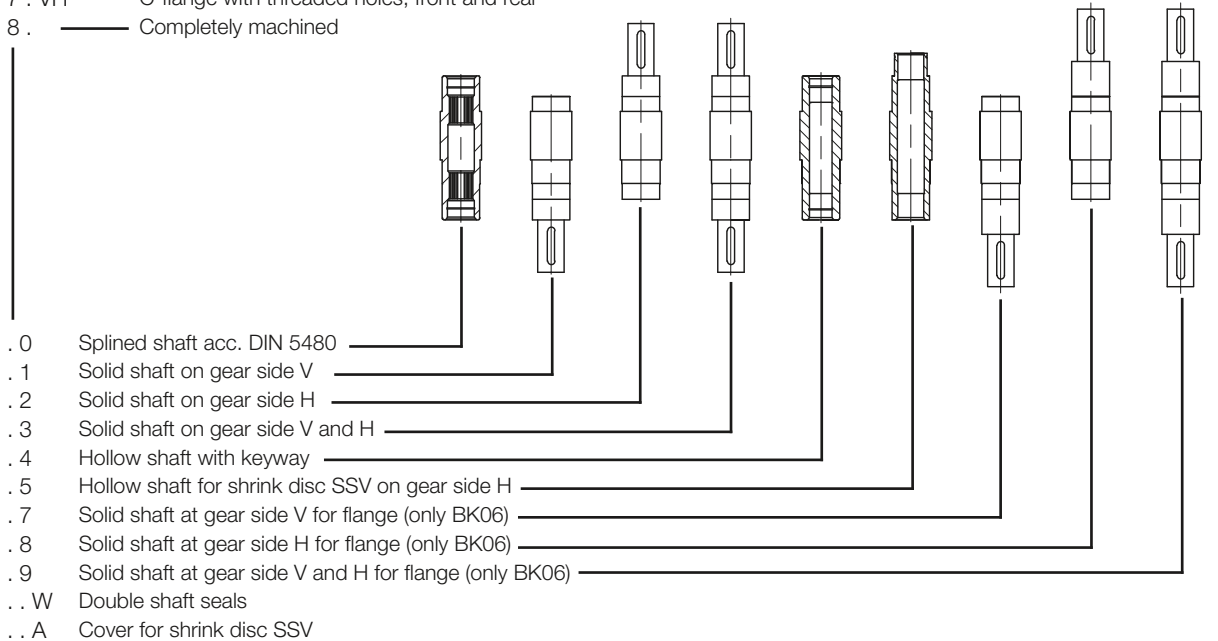
- 1 . U — Foot with clearance holes, bottom
- 1 . L — Foot with clearance holes, left
- 1 . O — Foot with clearance holes, top

- 2 . V — small A-flange with clearance holes , front
- 3 . V — Standard A-flange with clearance holes, front
- 4 . V — large A-flange with clearance holes, front
- .. H — A-flange, rear
- .. VH — A-flange, front and rear

- 5 . V — Torque arm at front
- 5 . VL — Torque arm, front to left
- 5 . VO — Torque arm, front to top
- 5 . VU — Torque arm, front to bottom
- 5 . HL — Torque arm, rear to left
- 5 . HO — Torque arm, rear to top
- 5 . HU — Torque arm, rear to bottom

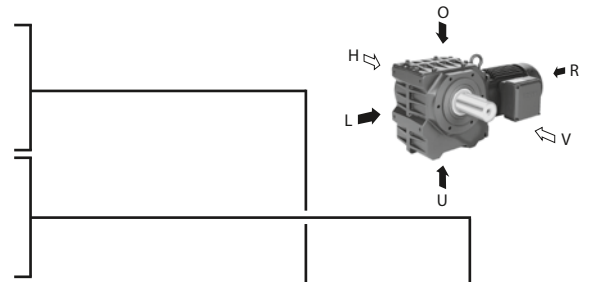
- 6 . U — Foot with threaded holes, bottom
- 6 . L — Foot with threaded holes, left
- 6 . O — Foot with threaded holes, top

- 7 . V — C-flange with threaded holes, front
- 7 . H — C-flange with threaded holes, rear
- 7 . VH — C-flange with threaded holes, front and rear
- 8 . — Completely machined



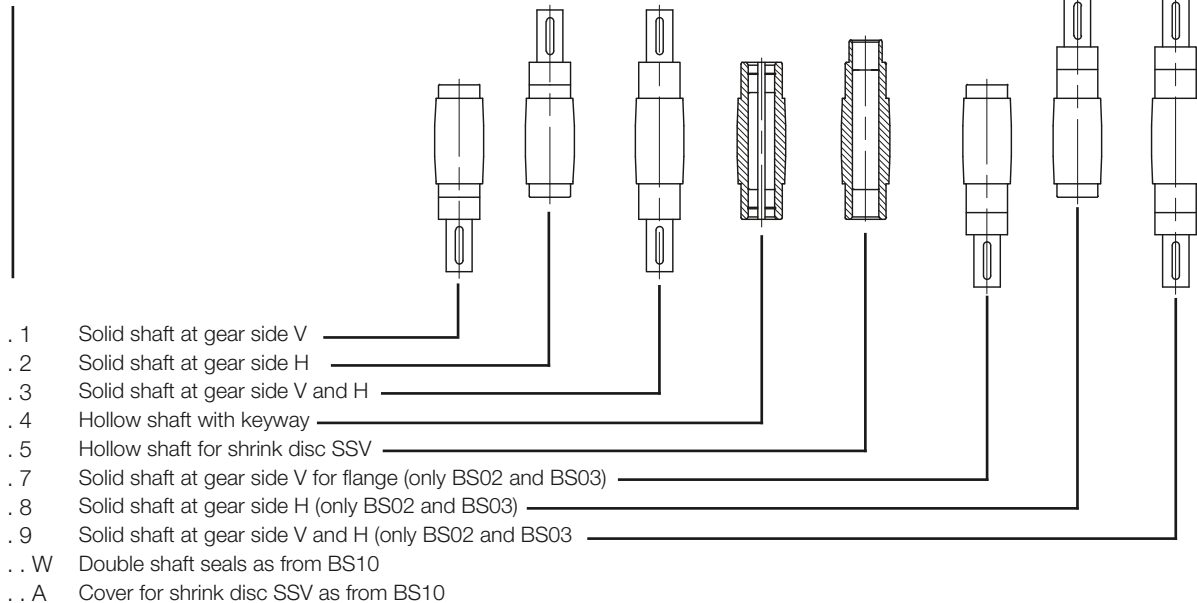
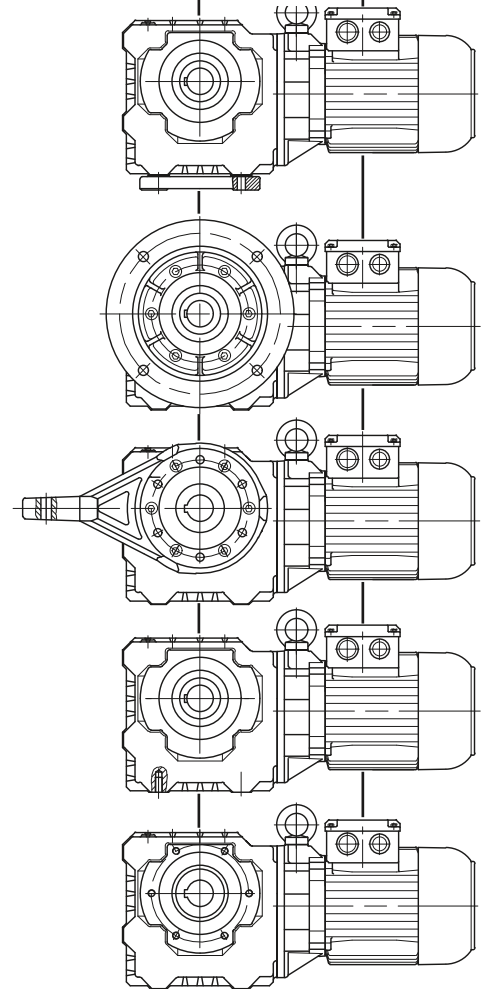
Type Designations

BS-series worm-geared motor



3

- 1 . U — Foot with clearance holes, bottom
- 1 . L — Foot with clearance holes, left
- 1 . O — Foot with clearance holes, top
- 2 . V — small A-flange with clearance holes , front
- 3 . V — Standard A-flange with clearance holes, front
- 4 . V — large A-flange with clearance holes, front
- .. H — A-flange, rear
- .. VH — A-flange, front and rear
- 5 . V — Torque arm at front
- 5 . VL — Torque arm, front to left
- 5 . VO — Torque arm, front to top
- 5 . VU — Torque arm, front to bottom
- 5 . HL — Torque arm, rear to left
- 5 . HO — Torque arm, rear to top
- 5 . HU — Torque arm, rear to bottom
- 6 . U — Foot with threaded holes, bottom
- 6 . L — Foot with threaded holes, left
- 6 . O — Foot with threaded holes, top
- 7 . V — C-flange with threaded holes, front
- 7 . H — C-flange with threaded holes, rear
- 7 . VH — C-flange with threaded holes, front and rear
- 8 . — Completely machined

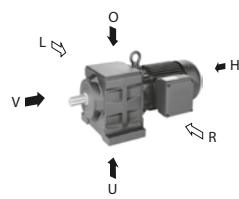


Type Designations

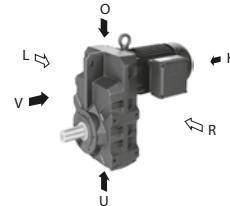
Versions and options

BG and BF series

BG series: type H4



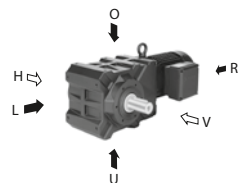
BF series: type H4



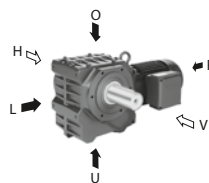
- V = Front
The side of the gear unit facing away from the motor or the source of motive power
- H = Rear
The side of the gear unit facing toward the motor or the source of motive power
- L = Left
The left side of the gear unit as viewed from the output shaft side of type B3 for the BG series or type H4 for the BF series
- R = Right
The right side of the gear unit as viewed from the output shaft side of type B3 for the BG series or type H4 for the BF series

BK and BS series

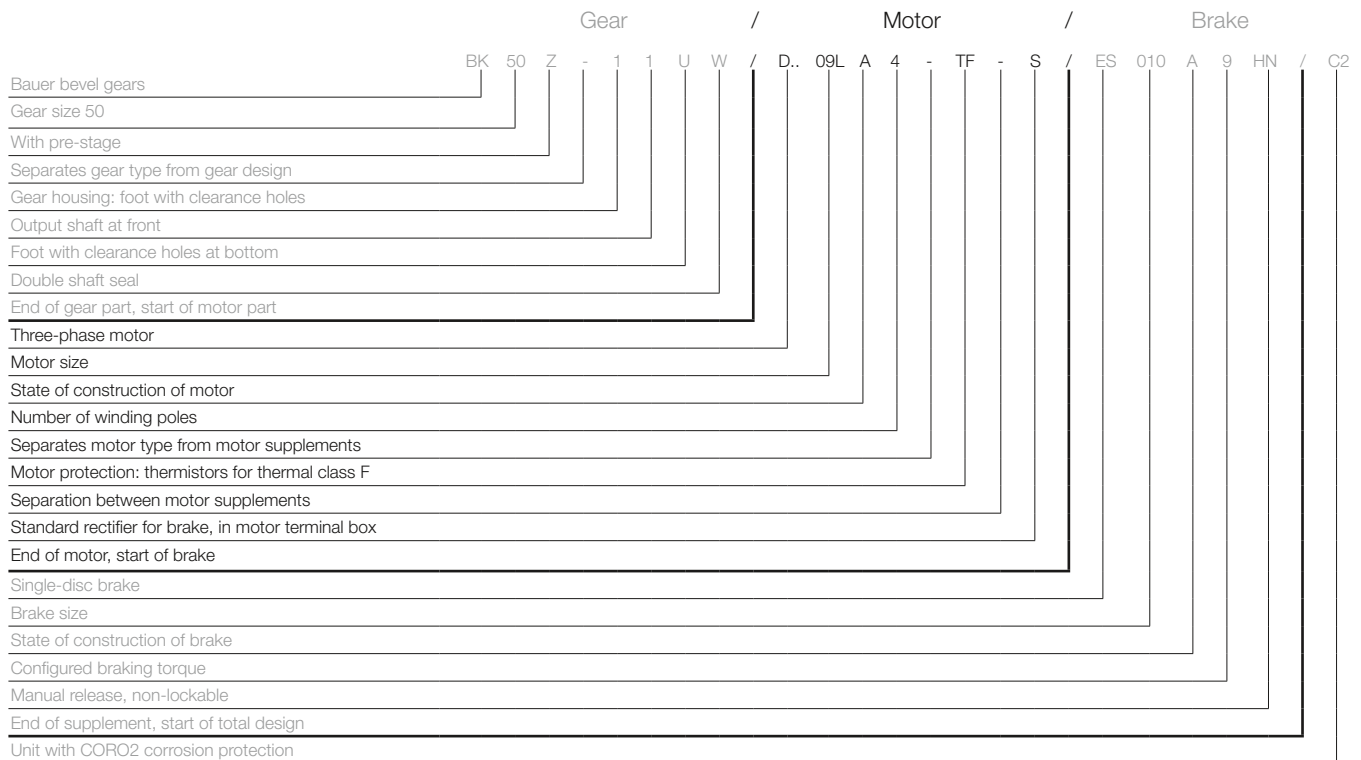
BK series: type H1



BS series: type H1



- V = Front
The side of the gear unit facing toward the viewer looking toward the type H1 unit
- H = Rear
The side of the gear unit facing away from the viewer looking toward the type H1 unit
- L = Left
The left side of the gear unit as viewed from the output shaft side of type H1, or the torque brace oriented to the left
- O = Top
The top side of the gear unit as viewed from the output shaft side of type H1, or the torque brace oriented upwards
- U = Bottom
The bottom side of the gear unit as viewed from the output shaft side of type H1, or the torque brace oriented downwards



Three-phase motor

D	=	Three-phase motor
E	=	Single-phase motor (Steinmetz circuit)
S	=	PM-Synchronous motor
.	A	Aseptic motor (germ-free drive)
.	SE	Three-phase motor with enhanced efficiency compliant with IE1
.	HE	Three-phase motor with enhanced efficiency compliant with IE2
.	PE	Three-phase motor with enhanced efficiency compliant with IE3
.	N	Motor without gear unit; foot-mount version
.	NF	Motor without gear unit; flange-mount version
.	R	Roller table motor
.	XE	Explosion-proof motor with increased safety
.	XD	Explosion-proof motors
.	W	Torque motor
.	L	Special rotor for traction and slewing gear motors
.	C	With main and auxiliary windings; only with single-phase motors (EC....)
.	V	Multiple voltage ranges (wide voltage range)
.	U	Unventilated (no forced ventilation)

Motor protection

TB	=	Thermistor 140°
TF	=	Thermistor 160°
TH	=	Thermistor 180°
TEB	=	Thermistor warning/shutdown 120°/140°
TBF	=	Thermistor warning/shutdown 140°/160°
TFH	=	Thermistor warning/shutdown 160°/180°
TOB	=	Thermostatic switch, NC 140°
TOF	=	Thermostatic switch, NC 160°
TOH	=	Thermostatic switch, NC 180°
TSB	=	Thermostatic switch, NO 125°
TSF	=	Thermostatic switch, NO 160°
TSH	=	Thermostatic switch, NO 180°
TX	=	Other

Brake rectifier in motor terminal box

S	=	Standard rectifier	SG
E	=	Special rectifier	ESG
M	=	Special rectifier	MSG

Plug connector

ST	=	Harting (other)
----	---	-----------------

Heavy-duty fan

SL

Protective cover

D

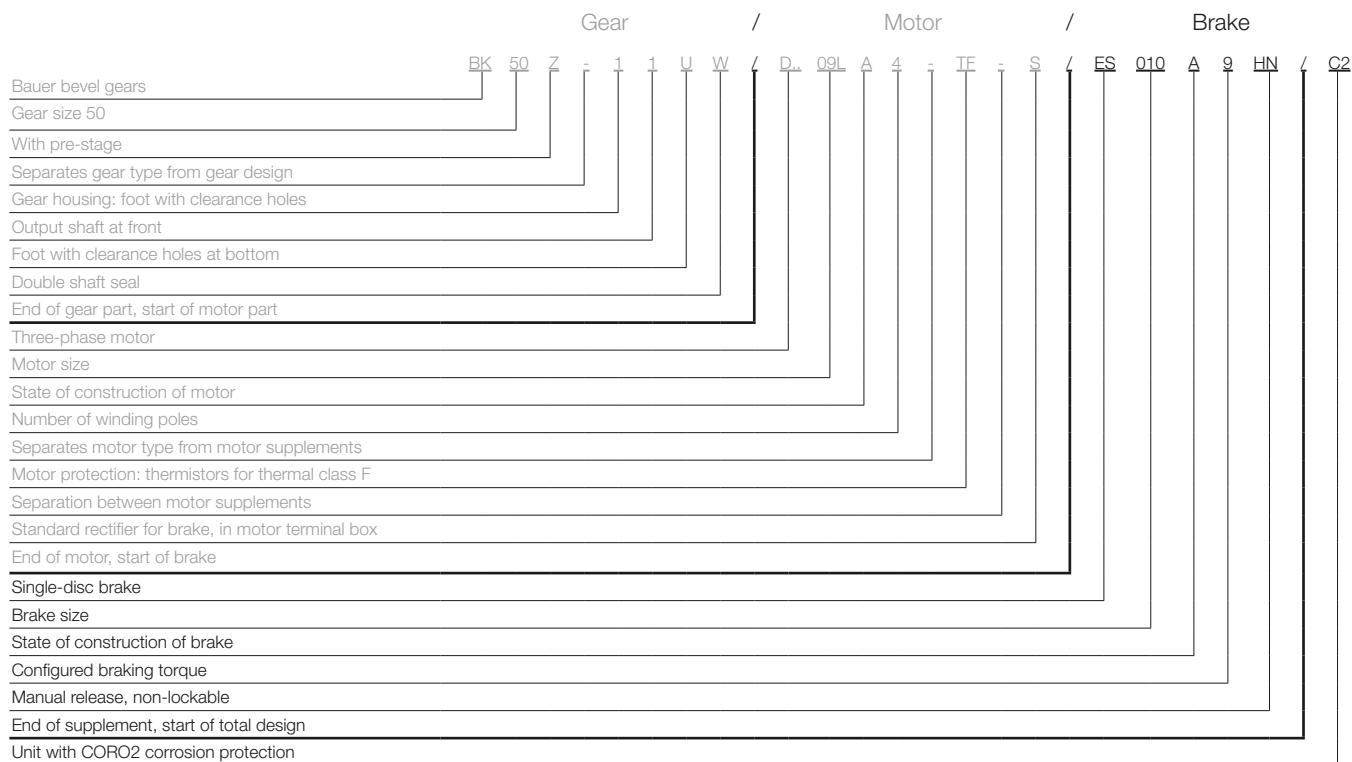
CleanDrive

CD	=	Aseptic drive with cable
----	---	--------------------------

Type Designations

Motor Mounted Components

3



Brake

- E = Single-disc brake
- ES = Single-disc holding brake
- EH = Single-disc holding brake in heavy duty
- ZS = Two-disc holding brake
- ESX = Single-disc service brake
- EHX = Single-disc service brake in heavy duty version
- ZSX = Two-disc service brake
- ... 010 = Brake size
- A = Construction state
- 9 = Code for configured braking torque
- HN = Manual release (not lockable)
- HA = Manual release (lockable)

Reverse rotation block

- RR = Blocking direction clockwise
- RL = Blocking direction anticlockwise

Digital and analogue encoder

G

Second shaft end

- ZW = With key
- ZV = With square shaft

Forced ventilation

FV

Overall design

- AV = USA/Canada version with shaft dimensions in inches
- AM = USA/Canada version with metric shaft dimensions
- UL = US version
- CS = Canadian version
- C1 = Coro1 corrosion protection
- C2 = Coro2 corrosion protection
- C3 = Coro3 corrosion protection
- C4 = Coro4 corrosion protection
- C5I = Coro5 corrosion protection with protection level I
- C5M = Coro5 corrosion protection with protection level M
- IM2 = Protection against sea or brackish water
- SP = Non-catalogue version



4

Gear Motor Selection

Selection of geared motors	37
Drive configuration	38
Drive configuration General	38
Required data for drive configuration	38
Determining the motor power	39
Determining the required torque	39
Determining the gear reduction ratio	39
Determining the factor of inertia	39
Determining the shock load	40
Determining the minimum service factor f_{Bmin}	40
Brake specification	40
Motor configuration	41
Torque–speed characteristic	41
Dynamic power	42
Static power	42
Total power P_G	42
Motor selection	43
IE2	43
IE1	43
No-load cycle rate Z_0	44
Load factor K_L	44
Radial and axial forces on the output shaft	45
Radial and axial forces on the output shaft	45
Maximum allowable radial force at force application point X	45
Bearing load limit	45
Shaft strength	46
Helical gear unit BG series	46
Shaft-mounted gear unit BF series	47
Bevel gear unit BK series	48
Worm gear unit BS series	48
Transmission components	49
Factor f_z for the type of transmission component	49
Axial force	49
Sizing based on efficiency	50
Drive configuration based on efficiency	50
Savings potential Motor: η_{motor}	50
Calculation of the efficiency under partial load	50
Gear efficiency η_{gear}	51
System efficiency η_{system}	51
Shock loads of machinery	52

Energy Efficient Geared Motors

AC Line Operated / European Union

4

Gear Motor Selection

Selection of geared motors



Bauer Gear Motor GmbH
 Eberhard-Bauer-Str. 37 73734 Esslingen
 +49 (0) 711 3518-0 www.bauergears.com

Information
 Company: _____
 Contact person: _____
 Phone: _____
 Email: _____

Questionnaire for geared motor selection

Gearbox type



BG
Helical gears



BF
Parallel shaft gears



BK
Bevel gears



BS
Worm gears



Hiflex
 Standard
 Stainless

Number of items: _____
 Country of operation: _____

Technical Data

Output shaft speed n ₂ : _____ rpm	Voltage: _____ V
Torque M ₂ : _____ Nm	Connection: <input type="checkbox"/> Y <input type="checkbox"/> Δ
Motor power: _____ kW	Temperature class: <input type="checkbox"/> B <input type="checkbox"/> F <input type="checkbox"/> H
Efficiency class: _____	Frequency: <input type="checkbox"/> 50 Hz <input type="checkbox"/> 60 Hz
With pole-changing: _____	<input type="checkbox"/> Frequency inverter duty
	Frequency range: _____ Hz

Operation

Service factor required: min _____ max _____
 or Type of loads (conveyor, mixer, crusher, centrifuge, etc.): _____
 Number of switching per hour: _____

Daily operating time: _____	<input type="checkbox"/> 8 hour	<input type="checkbox"/> 16 hour	<input type="checkbox"/> 24 hour
	<input type="checkbox"/> Light shock load	<input type="checkbox"/> Medium shock load	<input type="checkbox"/> Heavy shock load
Operation Duty: <input type="checkbox"/> S1	<input type="checkbox"/> S2 _____ min	<input type="checkbox"/> other S _____	Duty = _____ %

Output shaft design

<input type="checkbox"/> Solid shaft on side V/H/VH: _____	<input type="checkbox"/> Solid shaft without parallel key	<input type="checkbox"/> Other (sketch attached)
<input type="checkbox"/> Hollow shaft with keyway	<input type="checkbox"/> Hollow Shaft for shrink disk	<input type="checkbox"/> Splined Shaft acc. to DIN 5480
	<input type="checkbox"/> Shrink disk	
<input type="checkbox"/> Special shaft dimensions (DxL), _____ x _____ mm	<input type="checkbox"/> Second shaft end on motor with parallel key (ZW)	
<input type="checkbox"/> Second shaft end on motor (DxL), _____ x _____ mm	<input type="checkbox"/> Second shaft end on motor with square shaft (ZV)	

Mounting position

<input type="checkbox"/> Foot with clearance hole	<input type="checkbox"/> A-Flange	<input type="checkbox"/> rear	<input type="checkbox"/> bottom
<input type="checkbox"/> Foot with tapped holes	<input type="checkbox"/> C-Flange with tapped holes	<input type="checkbox"/> front	<input type="checkbox"/> top
<input type="checkbox"/> Torque arm with rubber buffers	<input type="checkbox"/> Foot plate	<input type="checkbox"/> left	<input type="checkbox"/> right
Mounting (acc. to page. 2 - H1, H2, V1, V2, etc.): _____		Painting	
Terminal box position (acc. to page. 3): <input type="checkbox"/> I <input type="checkbox"/> II <input type="checkbox"/> III <input type="checkbox"/> IV		<input type="checkbox"/> Standard RAL 7031	
other: _____		<input type="checkbox"/> other RAL _____	

Environment

IP prot. type per EN 60034: IP54 IP65 IP66 IP67 IP68 IP69K
 Indoor installation Outdoor installation Corrosive environment: _____
 Ambient temperature range: from _____ °C to + _____ °C Relative humidity: _____ %

Motor Accessories

<input type="checkbox"/> Brake voltage: _____ V	Required braking torque: _____ Nm	<input type="checkbox"/> Manual brake release
<input type="checkbox"/> Backstop: <input type="checkbox"/> left <input type="checkbox"/> right	<input type="checkbox"/> Brake wear/function monitoring	<input type="checkbox"/> Brake heater
<input type="checkbox"/> Thermistor motor protection	<input type="checkbox"/> Thermostats motor protection	<input type="checkbox"/> Anticondensation heater (Motor)
<input type="checkbox"/> Temperatursensor KTY	<input type="checkbox"/> Temperatursensor PT100	
<input type="checkbox"/> Encoder type _____	No. of pulse: _____	Supply voltage <input type="checkbox"/> HTL \ <input type="checkbox"/> TTL
<input type="checkbox"/> Rain cover	<input type="checkbox"/> Forced ventilation	

Additional requirements may be specified in a freely written form.

Drive configuration General

Motions are necessary in production plants and equipment for the manufacture of goods and products. Geared motors are used to implement these motions in stationary production equipment. The objective of drive configuration is to obtain the optimal motor for each type of motion.

Motions in machines and equipment vary considerably. Experienced design engineers reduce the necessary motions to a few standard types:

- continuous linear motion
- reciprocating linear motion
- horizontal linear motion
- vertical or oblique linear motion for lifting and lowering loads
- continuous rotary motion and reciprocating rotary motion

All motions can be divided into:

- an acceleration phase
- a constant-velocity phase
- a braking (deceleration) phase

These motion phases must be examined separately when sizing a drive, in order to determine the phase with the highest load. After the maximum load has been determined, the drive system can be selected.

See our separate “Design Guide” publication for assistance with various use cases.

Required data for drive configuration

In addition to the data on (Specification of geared motors), the following data is necessary for drive configuration:

Designation	Description	Unit
Z	Cycle rate	[1/h]
t_d	Operating time per day	[h]
t_a	Deceleration time	[s]
n_2	Output speed	[rpm]
n	Rated rotor shaft speed	[rpm]
J	Moment of inertia	[kgm ²]
J_{ext}	External moment of inertia	[kgm ²]
J_{ext}	External moment of inertia referred to the rotor shaft	[kgm ²]
J_{rot}	Rotor moment of inertia	[kgm ²]
F	Force	[N]
m	Mass	[kg]
v	Velocity	[m/s]
a	Acceleration	[m/s ²]
g	Earth gravitational constant	[m/s ²]
P_{dyn}	Dynamic power	[kW]
P_s	Static power	[kW]
P	Power	[kW]
M_2	Output torque	[Nm]
M_{2erf}	Required drive torque	[Nm]
M_N	Rated torque at rotor shaft	[Nm]
M_a	Deceleration torque	[Nm]
M_L	Braking or driving load torque	[Nm]
M_{gr}	Specific limiting torque of gearbox at gear ratio i	[Nm]
M_{Br}	Rated braking torque	[Nm]
i	Gear reduction ratio	
FI	Inertia ratio	

Drive configuration process

Motor configuration

Determining the motor power

The required power can generally be calculated as follows:

$$p = \frac{F \times v}{\eta}$$

As previously described, all motions are divided into an acceleration phase (dynamic power), a constant-velocity phase (static power), and a braking (deceleration) phase.

Depending on the type of motion, the force F necessary to overcome all opposing forces such as rolling friction, linear friction, gravitational force, acceleration and so on arising from the drive train has a strong influence on the required power and must be determined explicitly for each use case.

See Section 15 for assistance in selecting the right motor power.

Determining the required torque

After the motor power has been determined, the required gearbox output torque can be calculated with:

$$M_2 = \frac{P \times 9550}{n_2}$$

Determining the gear reduction ratio

The gear reduction ratio is the ratio of the rated speed of the motor (see the motor data in Section 15) to the desired output speed of the geared motor.

$$i = \frac{n}{n_2}$$

Determining the factor of inertia

Gearbox size selection

The inertia ratio is the ratio of the sum of the moments of inertia of all masses driven by the motor and converted to the motor speed, including the moment of inertia of the motor rotor, to the moment of inertia of the rotor:

$$FI = \frac{J_{ext} + J_{rot}}{J_{rot}} \quad \text{where} \quad J_{ext'} = \frac{J_{ext}}{i^2}$$

Gear Motor Selection

Drive configuration

Determining the shock load

The shock load (see Sections 6, 7, 8 and 9) is determined from the inertia factor, the type of transmission component and the relative moment of acceleration.

Determining the minimum service factor f_{Bmin}

Based on the operating time per day, the cycle rate and the ascertained shock load, the service factor f_{Bmin} can be taken from the tables in Sections 6, 7, 8 and 9.

Based on this minimum service factor f_{Bmin} , select a geared motor from the tables that has a higher service factor as well as the required output speed, output torque and motor power.

Note: The service factor relates solely to the required torque for static operation needed by the application, which should be covered by the output torque of the selected geared motor.

The dynamic portion is not taken into consideration here.

The actual service factor of the geared motor with regard to required torque for static operation can therefore be calculated as follows:

$$f_B = \frac{M_{gr}}{M_{2erf}}$$

The final step is to specify the accessory options for the geared motor.

Brake specification

Essentially it is necessary to determine, based on the amount of friction energy to be dissipated by the brake, whether the brake is a holding brake or a service brake. See Section 16 for the definitions of holding brakes and service brakes.

Once all the necessary data and requirements are known, the required braking torque can be calculated as follows:

$$M_{br} = M_a \pm M_L$$

$$M_a = \frac{J \times n}{9,55 \times t_a}$$

If the specific application data is not known, for horizontally driven equipment we recommend selecting a braking torque that is 1.0 to 1.5 times the rated torque of the motor.

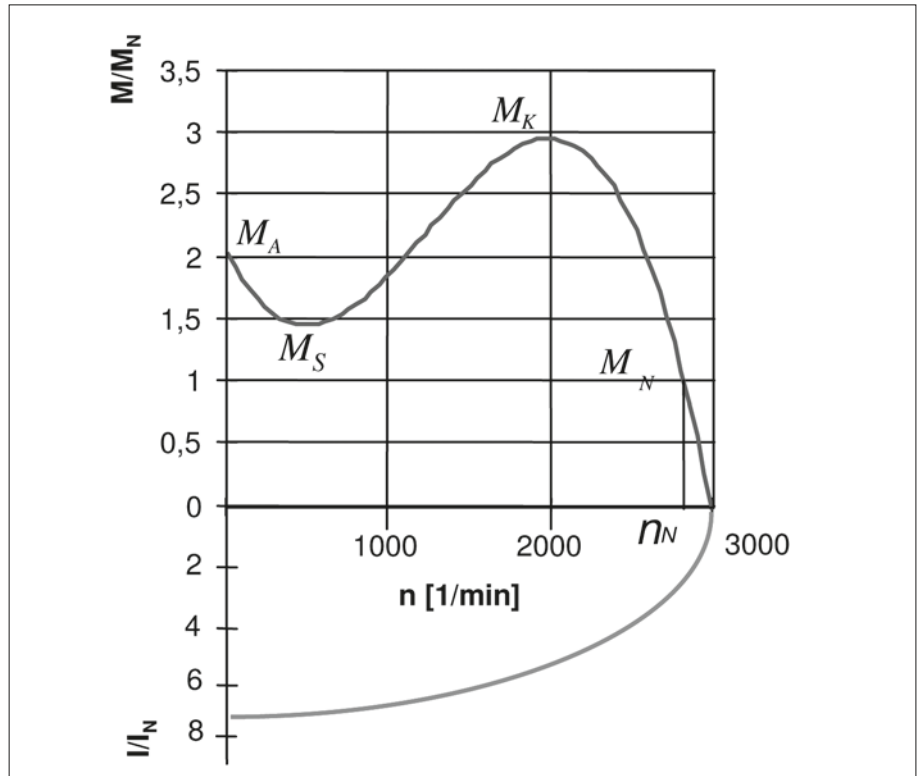
In the case of applications with significant external moments of inertia (FI greater than 2) and with operating cycles per hour, the brake size must always be selected on the basis of the thermally allowable braking energy. See Section 16 for detailed information on brake configuration.

In the case of lifting equipment, for safety reasons a braking torque twice as large as the rated torque of the motor should always be selected.

Torque–speed characteristic

The torque versus speed curve shows the operating characteristics of the asynchronous motor. The reference points shown schematically on the torque versus speed curve are significant criteria for motor selection.

Torque vs. Speed Curve



The **starting torque M_A** with the rotor stationary, which is also called the locked-rotor torque, determines the acceleration of the equipment or system. If the motor is powered directly from the mains, bear in mind that the starting torque, usually listed in the motor data tables in the form of the ratio M_A/M_N , is a fixed and unalterable quantity. This means that the desired acceleration can only be approximated when the motor is operated directly from the mains. Operation from a frequency converter is discussed separately.

The **pull-up torque M_S** is the least amount of torque developed by the motor while it is coming up to speed. It must always be greater than the effective load torque at the time when the pull-up torque occurs, as otherwise it will not be possible to accelerate the drive.

The **breakdown torque M_K** is the maximum torque the motor is capable of producing. If the load increases above the rated torque M_N , the slip s increases, the speed n decreases, and the motor delivers more torque. This can rise to a maximum level M_K . After this point the motor stalls, which means that it suddenly stops running at this slip value (breakdown slip). If the breakdown torque is exceeded, either the load must be removed or the motor must be switched off immediately. Otherwise the motor will be destroyed as a result of overheating.

The **rated torque M_N** is the torque available in continuous operation at the rated power P_N and rated speed n_N .

Gear Motor Selection

Motor configuration

Dynamic power

The dynamic power is the power that accelerates the entire system, which consists of the load, transmission components, gearbox and motor.

$$P_{\text{dyn}} = \frac{m \times a \times v}{\eta}$$

P_{dyn} Dynamic power [W]
 m Mass [kg]
 a Acceleration [m/s^2]
 v Velocity [m/s]
 η Efficiency

Static power

The static power includes all forces present under zero-acceleration conditions. This includes rolling friction, linear friction, lifting force (with lifting) and wind force, among others.

$$P_s = \frac{F_f \times v}{\eta}$$

P_s Static power [W]
 F_f Travel resistance [N]

Total power P_G

$$P_G = P_{\text{dyn}} + P_s$$

$$P_G = \frac{m \times a \times v}{\eta} + \frac{F_f \times v}{\eta}$$

Horizontal motion, rotary motion and vertical motion upwards	
Start-up time [s]	$t_A = \frac{\left[J_M + \frac{J_{\text{ext}}}{\eta} \right] \times n_M}{9,55 \times \left[M_A - \frac{M_L}{\eta} \right]}$
Cycle rate [c/h]	$Z = Z_0 \times \frac{1 - \left[\frac{M_L}{M_A \times \eta} \right]}{\left[\frac{J_S + \frac{J_{\text{ext}}}{\eta} + J_M}{J_M} \right]} \times K_L$
Vertical motion downwards	
Start-up time [s]	$t_A = \frac{\left[J_M + \frac{J_{\text{ext}}}{\eta} \right] \times n_M}{9,55 \times \left[M_A - (M_L \times \eta) \right]}$
Cycle rate [c/h]	$Z = Z_0 \times \frac{1 - \left[\frac{M_L \times \eta}{M_A} \right]}{\left[\frac{J_S + J_M + (J_{\text{ext}} \times \eta)}{J_M} \right]} \times K_L$

Motor selection

Example:

Required dynamic torque at motor (for acceleration): 126 Nm

Required static torque at motor 70.0 Nm

Total torque at motor: 196 Nm

IE2

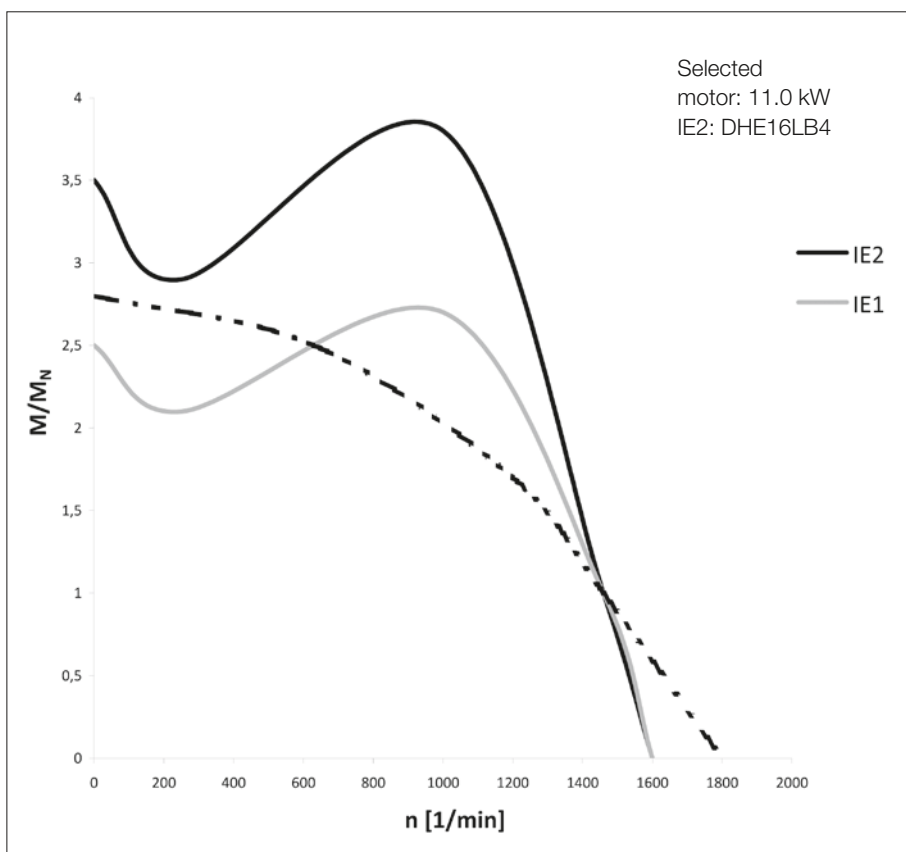
PN [kW]	Type	n_N [rpm]	M_N [Nm]	I_N 400 V [A]	$\cos \varphi$	η (100% load) [%]	η (75% load) [%]	η (50% load) [%]	I_A/I_N	M_A/M_N	M_S/M_N	M_K/M_N	J_{red} [kgm ²]
7.5	DHE13LA4	1460	49	15.1	0.81	88.9	89.2	87.9	7.0	3.3	3.0	3.5	0.0345
9.5	DHE16MB4	1470	62	19.7	0.78	89.4	89.4	86.5	6.8	2.9	2.5	3.2	0.057
11	DHE16LB4	1470	71	22.5	0.78	90.3	90.0	88.3	7.9	3.5	2.9	3.8	0.076
15	DHE16XB4	1470	97	31	0.77	90.6	90.8	88.8	7.2	3.2	2.8	3.5	0.087
18.5	DHE18LB4	1470	120	35	0.83	91.5	91.7	90.0	7.9	3.6	3.0	3.3	0.160

4

IE1

PN [kW]	Type	n_N [rpm]	M_N [Nm]	I_N 400 V [A]	$\cos \varphi$	η (100% load) [%]	η (75% load) [%]	η (50% load) [%]	I_A/I_N	M_A/M_N	M_S/M_N	M_K/M_N	J_{red} [kgm ²]
7.5	DSE13MA4	1440	50	15.3	0.81	87.5	87.8	87.1	6.2	2.8	2.5	3.2	0.02900
9.5	DSE13LA4	1440	63	19.2	0.82	87.1	87.5	87.5	6.0	2.9	2.6	3.0	0.03450
11	DSE16MB4	1460	72	22.6	0.81	87.7	88.0	87.3	6.0	2.5	2.1	2.7	0.05700
15	DSE16LB4	1460	98	29.5	0.83	88.9	89.2	88.9	6.1	2.5	2.1	2.8	0.07600
18.5	DSE16XB4	1460	121	37.5	0.81	89.3	89.9	88.5	6.1	2.6	2.2	2.8	0.08700

Due to the significantly higher starting torque (M_A) of IE2 motors (M_A/M_N 3.5) compared to IE1 motors (M_A/M_N 2.5), an 11 kW with an IE2 (DHE16LB4) motor can be used in this case. Otherwise the 15 kW IE1 (DSE16LB) should be selected.



Gear Motor Selection

Motor configuration

No-load cycle rate Z_0

If the cycle rate is greater than normal (typically around 60 cycles per hour), the additional thermal load and, depending on the type of power transmission, the additional mechanical load must be taken into account in motor selection.

The no-load cycle rate Z_0 is the number of start cycles per hour with the motor running under no load (no external moments of inertia) in which the allowable winding temperature for the insulating material class F is reached.

No-load cycle rate Z_0 :

PN [kW]	Type	Z0 [c/h]
0.12	DPE05LA4	65000
0.12	DPE06LA4	65000
0.18	DPE07LA4	47000
0.25	DPE08MA4	36000
0.37	DPE08LA4	27000
0.55	DPE08XA4	19000
0.75	DPE09LA4	15000
1.1	DPE09XA4	11000
1.5	DPE09XA4C	8700
2.2	DPE11MA4	6400
3	DPE11LA4	5000
4	DPE11LA4C	4000
5.5	DPE13LA4	3100
7.5	DPE13XA4	2400
9.5	DPE16LB4	2000
11	DPE16LB4	1800
15	DPE16XB4	1400
18.5	DPE18LB4	1200
22	DPE18XB4	1000

As a result of external loads, the no-load cycle rate is reduced to the allowable service cycle rate. The effect of the load is expressed by the inertia ratio FI and the load factor K_L .

Load factor K_L

The load factor reflects the relative load P/PN and the duty cycle of the motor in operation between the cycles.

The relative load has a quadratic effect on the allowable cycle rate. The effect of the duty cycle depends on the circumstances. With little or no load, the stress on the motor decreases due to the relatively long cooling periods, while at rated load or heavy loading the stress on the motor increases due to load losses.

The load factor K_L for 4-pole motors is determined as follows:

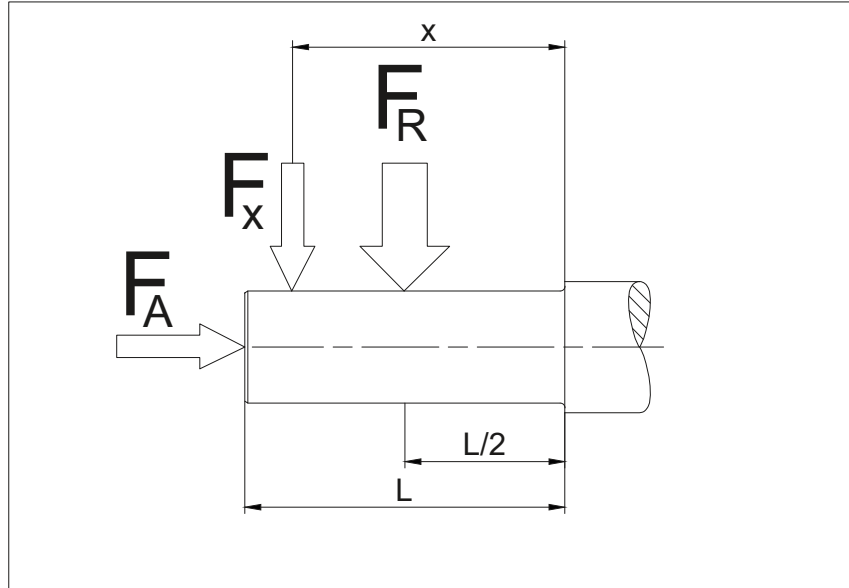
$$K_{L100} = 1 - \left(\frac{P}{P_n} \right)^{1,5}$$

$$K_L = 0,35 + (K_{L100} - 0,25) \times ED$$

Radial and axial forces on the output shaft

For each geared motor with a solid shaft, the allowable radial force $F_{R(N,V)}$ referred to the centre of the output shaft, $x = l/2$, is listed in the selection tables. The listed data applies to both foot-mounted and flange-mounted versions. If the force application point F_x is off centre, the allowable radial force must be recalculated taking into account the bearing lifetime and the shaft strength.

Maximum allowable radial force at force application point X



4

- $F_{R(N,V)}$ Allowable radial force ($x = l/2$) according to the selection tables [N]
- X Distance from shaft junction to the force application point [mm]
- F_A Axial force [N]

To evaluate the radial force present at the force application point X, the allowable radial forces at position X must be determined with respect to the load limits of the bearings and the shaft strength.

If the calculated allowable radial forces at the force application point X are greater than the radial force that is present, the gearbox may be selected for the application.

If the calculated values are not sufficient or the force application point X is not within the stub shaft length l, please consult us.

Bearing load limit

$$F_{XL1} = F_q \times \frac{0,5 + b}{\left(\frac{X}{l} + b\right)}$$

$$F_{XL2} = F_q \times \frac{0,5 + a}{\left(\frac{X}{l} + a\right)}$$

Gear Motor Selection

Radial and axial forces on the output shaft

Shaft strength

$$F_{XW1} = F_{qmax} \times \frac{0,5}{\left(\frac{X}{l}\right)}$$

$$F_{XW2} = F_{qmax} \times \frac{0,5 + c}{\left(\frac{X}{l} + c\right)}$$

Thereby are:

For the selected gear ratio and bearing type (normal or reinforced), F_q is the allowable perpendicular force F_{RN} or F_{RV} from the geared motor selection tables.

F_{qmax} is the maximum allowable perpendicular force for the selected gearbox size as listed in the geared motor selection tables, independent of the bearing type (normal or reinforced).

The factors a, b and c for the individual gearbox types are listed in the following tables.

Helical gear unit BG series

Taille	Paliers	Arbre Code	l	a	b	c
BG04	normaux	-.1	24	0.5625	1.5000	-
BG05	normaux	-.1	28	0.5893	1.3929	-
BG06	normaux	-.1	30	0.6667	1.4167	-
BG10	normaux	-.1	40	0.7125	1.6750	-
		-.7		1.1000	2.0625	-
BG20	normaux	-.1	50	0.6100	2.2500	-
		-.7		0.9400	2.5800	-
BG30	normaux	-.1	60	0.5917	2.1750	-
		-.7		0.9417	2.5250	-
BG40	normaux	-.1	60	0.6917	2.3667	-
		-.7		1.0083	2.6833	-
BG50	normaux	-.1	80	0.5625	2.0000	-
		-.7		0.8563	2.2938	-
BG60	normaux	-.1	100	0.5300	2.0200	-
		-.7		0.7650	2.2550	-
BG70	normaux	-.1	120	0.4750	1.7292	-
		-.7		0.7292	1.9833	-
BG80	normaux	-.1	140	0.4286	1.7000	-
		-.7		0.6000	1.8714	-
BG90	normaux	-.1	200	0.3675	1.5300	-
		-.7		0.5825	1.7450	-
BG100	normaux	-.1	220	0.3477	1.4341	-
		-.7		0.5386	1.6250	-

Shaft-mounted gear unit BF series

Frame size	Bearings	Output shaft code	l	a	b	c
BF06	normal	-.1	50	0.4500	1.4100	-
BF10	normal	-.1	60	0.5083	1.4833	-
		-.2		0.6500	1.6250	-
BF20	normal	-.1	70	0.4286	1.3571	-
		-.2		0.5571	1.4857	-
BF30	normal	-.1	80	0.3875	1.2563	-
		-.2		0.5688	1.4375	-
BF40	normal	-.1	100	0.4050	1.2250	-
		-.2		0.5250	1.3450	-
BF50	normal	-.1	120	0.3125	1.0625	-
		-.2		0.3959	1.1458	-
BF60	normal	-.1	140	0.3286	1.0821	-
		-.2		0.4036	1.1571	-
	reinforced	-.1		-	-	0.2750
		-.2		-	-	0.3643
BF70	normal	-.1	180	0.2722	1.0566	-
		-.2		0.3056	1.0889	-
	reinforced	-.1		-	-	0.2194
		-.2		-	-	0.2639
BF80	normal	-.1	220	0.2878	1.3536	-
		-.2		0.2873	1.3518	-
	reinforced	-.1		-	-	0.2364
		-.2		-	-	0.2268
BF90	normal	-.1	260	0.2500	1.4231	-
		-.2		0.2500	1.4231	-
	reinforced	-.1		-	-	0.2027
		-.2		-	-	0.1950

Gear Motor Selection

Radial and axial forces on the output shaft

Bevel gear unit BK series

Frame size	Bearings	Output shaft code	l	a	b	c
BK06	normal	-.1	50	0.4375	1.9875	-
		-.2		0.4375	1.9875	-
		-.7		0.9125	2.4625	-
		-.8		0.9125	2.4625	-
BK10	normal	-.1	60	0.5917	2.2417	-
		-.2		0.5917	2.2417	-
BK20	normal	-.1	70	0.5071	2.2357	-
		-.2		0.5071	2.2357	-
	reinforced	-.1		-	-	0.3929
		-.2		-	-	0.3929
BK30	normal	-.1	80	0.5250	2.2750	-
		-.2		0.5250	2.2750	-
	reinforced	-.1		-	-	0.4125
		-.2		-	-	0.4125
BK40	normal	-.1	100	0.4300	2.1700	-
		-.2		0.4300	2.1700	-
	reinforced	-.1		-	-	0.3400
		-.2		-	-	0.3400
BK50	normal	-.1	120	0.4083	1.9417	-
		-.2		0.4083	1.417	-
	reinforced	-.1		-	-	0.3250
		-.2		-	-	0.3250
BK60	normal	-.1	140	0.3536	1.8036	-
		-.2		0.3536	1.0836	-
	reinforced	-.1		-	-	0.3121
		-.2		-	-	0.2979
BK70	normal	-.1	180	0.2861	1.6694	-
		-.2		0.2861	1.6694	-
	reinforced	-.1		-	-	0.2428
		-.2		-	-	0.2317
BK80	normal	-.1	220	0.2818	1.5545	-
		-.2		0.2818	1.5545	-
	reinforced	-.1		-	-	0.2305
		-.2		-	-	0.2214
BK90	normal	-.1	260	0.2519	1.6096	-
		-.2		0.2519	1.6096	-
	reinforced	-.1		-	-	0.1989
		-.2		-	-	0.1912

Worm gear unit BS series

Frame size	Bearings	Output shaft code	l	a	b	c
BS02	normal	-.1	30	0.6000	2.1000	-
		-.2		-	-	-
		-.7		1.3333	2.8333	-
		-.8		-	-	-
BS03	normal	-.1	40	0.4375	1.9875	-
		-.2		-	-	-
		-.7		0.9125	2.4625	-
		-.8		-	-	-
BS04	normal	-.1	40	0.5375	1.7875	-
		-.2		-	-	-
BS06	normal	-.1	50	0.4800	1.9400	-
		-.2		-	-	-
BS10	normal	-.1	60	0.5917	2.3083	-
		-.2		-	-	-
BS20	normal	-.1	70	0.5500	2.4357	-
		-.2		-	-	-
BS30	normal	-.1	80	0.5312	2.4313	-
		-.2		-	-	-
BS40	normal	-.1	120	0.4292	1.7042	-
		-.2		-	-	-

Transmission components

If a transmission component is used (gearwheels, chainwheels, V-belt, etc.), the resulting radial forces can be determined as follows.

$$F_R = \frac{2000 \times M}{D_T} \times f_z \leq F_{R(N,V)}$$

F_R	Radial force [N]
M	Torque [Nm]
D_T	Pitch radius of the transmission component [mm]
f_z	Safety factor

Factor f_z for the type of transmission component

A safety factor f_z depending on the type of transmission component attached to the output shaft must be included when determining the value of the radial force F_R that is present.

Transmission component	Safety factor f_z	Note
Gearwheel	1	= > 17 teeth
Gearwheel	1,15	< 17 teeth
Chainwheel	1	= > 17 teeth
Chainwheel	1,25	< 17 teeth
Toothed rack	1,15	< 17 teeth (pinion)
V-belt	2.....2,5	From tensioning force
Flat belt	2...3	From tensioning force
Friction wheel	3...4	

Axial force

The following specification applies to the allowable axial force F_A on the output shaft (either tension or compression) for all Bauer geared motors and for foot, flange or hollow-shaft versions:

$$F_A = 0,5 \times F_{R(N,V)}$$

Please consult us in case of larger axial forces.

Gear Motor Selection

Sizing based on efficiency

4

Drive configuration based on efficiency

With the IEC 60034-30-1 standard and the ErP 2009/125/EC EU directive, utilisation of the potential energy savings in industrial environments has been given increased urgency and made legally mandatory.

In the industrial applications area, electric motors consume the vast majority of electrical energy (approximately 70 %). They are used in all areas and in many applications, such as fans, pumps, grinders, rolling mills, lifts, transport and conveying equipment, household appliances, and office machines.

Due to this broad range of applications, electrical drive systems are a primary target for energy saving policies. As electric motors consume a large amount of electrical energy, even small improvements in efficiency lead to significant savings.

In many cases, especially in transport and conveying equipment, it is necessary to reduce the speed of a three-phase squirrel-cage motor. This can be done by using external traction gearboxes or by using external or integrated reduction gearboxes. With regard to energy savings, the efficiency of the gear unit and transmission components must not be ignored.

The overall efficiency of a system is calculated as follows:

$$\eta_{\text{Installation}} = \eta_{\text{Motor}} \times \eta_{\text{Reducer}} \times \eta_{\text{Machine}}$$

Savings potential Motor: η_{motor}

In accordance with the Motor Regulation 16640/2009/EC, the legally binding EU ErP directive 2009/125/EC specifies IE3 (Premium Efficiency) as the minimum efficiency for new motors operating in continuous running duty (S1) $\geq 0,75$ kW, effective 1. January 2017.

The right motor frame size and motor type should be selected based on environmental and economical aspects based on the new motor regulations for the IE3 series.

The new Regulation (EU) 2019/1781 extends the scope of the affected motors in the performance and product spectrum and sets new binding implementation dates of 1 July 2021 and 1 July 2023.

Calculation of the efficiency under partial load

The motor data sheets list motor efficiency figures according to Motor Regulation (EU) 2019/1781 for operation at several load levels (50 %, 75 % and 100 %).

The efficiency at any partial load point can be calculated approximately from the efficiency figures for 75 % and 100 % load, and the energy balance of the application can be evaluated accordingly.

$$R_{VL} = \frac{\left(\frac{100}{\eta_{100}} - 1 \right) - 0,75 \times \left(\frac{100}{\eta_{75}} - 1 \right)}{0,4375}$$

$$R_{VO} = \left(\frac{100}{\eta_{100}} - 1 \right) - R_{VL}$$

$$\eta_p = \frac{100}{\left[1 + \frac{R_{VO}}{p} \right] + R_{VL} \times p}$$

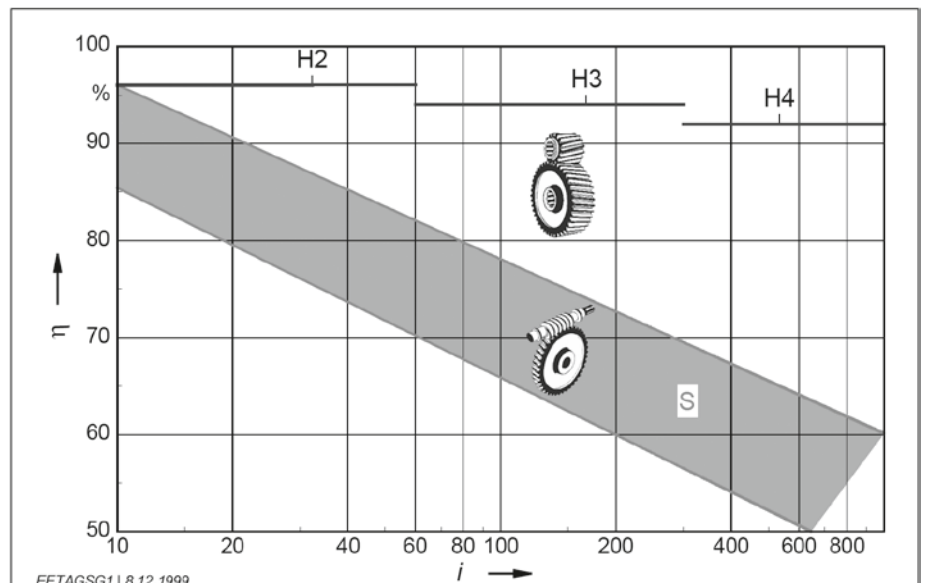
with

η_{100}	Efficiency at 100 % load
η_{75}	Efficiency at 75 % load
R_{VL}, R_{VO}	Intermediate results
p	Partial load (value range: 0 to 1 or overload)
η_p	Efficiency at partial load point p

Gear efficiency η_{gear}

Comparison of the general savings potential of gearboxes and motors in continuous running duty (S1) shows that the energy savings potential of gearboxes is significantly higher than that of motors. The efficiency of gearboxes is predominantly dependent on the tooth geometry and the friction values of the bearings and seals. At high input speeds and with vertical designs in which the first stage rotates fully immersed in oil, splash losses cannot be neglected. Vertical designs should generally be avoided.

The efficiency of worm gear drives is highly speed dependent (see illustration). Bauer worm gear units are available as two-stage worm gear units for frame sizes BS04 and larger. This enables very high reduction ratios and significantly higher efficiency than with pure worm gear units. A loss of 2 % per stage can be assumed for two-stage worm gear units.



Comparison of typical efficiency (η) versus reduction ratio (i) for helical spur gear units (H) with two, three or four stages and two-stage worm gear units (S), relative to the rated power of the gear unit.

System efficiency η_{system}

The drive system provides the highest savings potential in the analysis of the overall efficiency. Designers and plant engineers should always strive to optimise the transmission components.

Transmission component	Conditions	Efficiency
Wire rope	Per full turn on the wire drum (with journal or roller bearings)	0.91–0.95
V-belt	Per full turn on the belt pulley (with normal belt tension)	0.88–0.93
Synthetic belts	For each full turn or roll, with roller bearings (normal belt tension)	0.81–0.85
Rubber belts	For each full turn or roll, with roller bearings (normal belt tension)	0.81–0.85
Toothed belts	For each full turn or roll, with roller bearings (normal belt tension)	0.90–0.96
Chains	For each full turn or chainwheel, with roller bearings (depending on chain size)	0.90–0.96
Spindles	Trapezoid-thread spindle Ballscrew spindle	0.30 – 0.70 0.70 – 0.95
Gear unit	With spur gears or bevel gears: 2 % per stage, with worm gears and other types of toothings, according to manufacturer's data	0.94–0.98

Gear Motor Selection

Shock loads of machinery

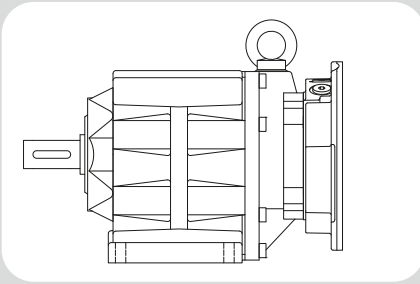
Shock loads for various types of machinery are listed in standards and guidelines as well as industry-specific documents and manufacturer's documents. If for example a crusher or a press is listed here with an shock load class of III, this is justified. On the other hand, under favourable conditions a belt conveyor could have an shock load class of I, but this could quickly change to III with on/off operation, high speed and overdrive due to a loose chain. Consequently, the classifications in the following table should by no means be taken blindly. They provide a rough point of reference, but the ultimate classification of the shock load should always take into account the factors specified by Bauer, in particular the inertia ratio, the cycle rate and the transmission component(s).

Drive	Shock load		
Construction machinery			
Construction lifts		II	
Concrete mixers		II	
Road construction machinery		II	
Chemical industry			
Cooling drums		II	
Mixers		II	
Stirrers (light media)	I		
Stirrers (viscous media)		II	
Drying drums		II	
Centrifuges (light)	I		
Centrifuges (heavy)		II	
Transport and conveying systems			
Hauling winches		II	
Conveying machines			III
Apron conveyors		II	
Belt conveyors (bulk material)	I		
Belt conveyors (piece goods)		II	
Bucket belt conveyors		II	
Chain conveyors		II	
Circular conveyors		II	
Freight lifts		II	
Flour bucket conveyors	I		
Passenger lifts		II	
Flat belts		II	
Screw conveyors		II	
Gravel bucket conveyors		II	
Inclined lifts			III
Steel belt conveyors		II	
Chain conveyors		II	
Blowers and fans			
Roots blowers		II	
Blowers (axial and radial)	I		
Cooling tower fans		II	
Suction blowers		II	

Drive	Shock load		
Rubber			
Extruders			III
Calenders		II	
Kneaders			III
Mixers		II	
Rolling mills			III
Timber processing and woodworking			
Debarking drums			III
Planers		II	
Woodworking machinery	I		
Saw frames			III
Crane systems			
Luffing mechanisms	I		
Traversing mechanisms			III
Hoisting mechanisms	I		
Slewing mechanisms		II	
Jib mechanisms		II	
Plastics			
Extruders		II	
Calenders		II	
Mixers		II	
Grinders and pulverisers		II	
Metalworking			
Plate bending machines		II	
Plate straightening machines			III
Hammers			III
Planers			III
Presses			III
Shears		II	
Forging presses			III
Punches			III
Countershafts and driveshafts	I		
Machine tools (principal)		II	
Machine tools (ancillary)	I		

Drive	Shock load		
Food processing			
Filling machines	I		
Kneading machines		II	
Mashing machines		II	
Packaging machines	I		
Sugar cane cutters		II	
Sugar cane mills			III
Sugar beet cutters		II	
Sugar beet washers		II	
Paper			
Couching			III
Smoothing rolls			III
Hollander		II	
Pulp grinder			III
Calender		II	
Wet presses			III
Shredders			III
Suction presses			III
Suction rolls			III
Drying rolls			III
Stone and soil			
Crushers			III
Rotary kilns			III
Hammer mills			III
Tube mills			III
Beating mills			III
Tile and block presses			III
Fabrics			
Winders		II	
Printing and dyeing machines		II	
Tanning vats		II	
Shredders		II	
Looms		II	

Drive	Shock load		
Rolling mills			
Plate shears			III
Plate turners		II	
Billet presses			III
Billet and slab lines			III
Billet conveyors			III
Wire drawing machines		II	
Descaling machines			III
Sheet metal mills			III
Plate mills			III
Winders (strip and wire)		II	
Cold rolling mills			III
Chain transports		II	
Billet shears			III
Cooling beds		II	
Cross transports		II	
Roller tables (light)		II	
Roller tables (heavy)			III
Roll straighteners		II	
Tube welders			III
Trimming shears		II	
Cropping shears			III
Continuous casting machines			III
Roll adjustment devices		II	
Manipulators			III
Laundry			
Drum dryers		II	
Washing machines		II	
Water treatment			
Centrifugal aerators		II	
Archimedes screw		II	



5

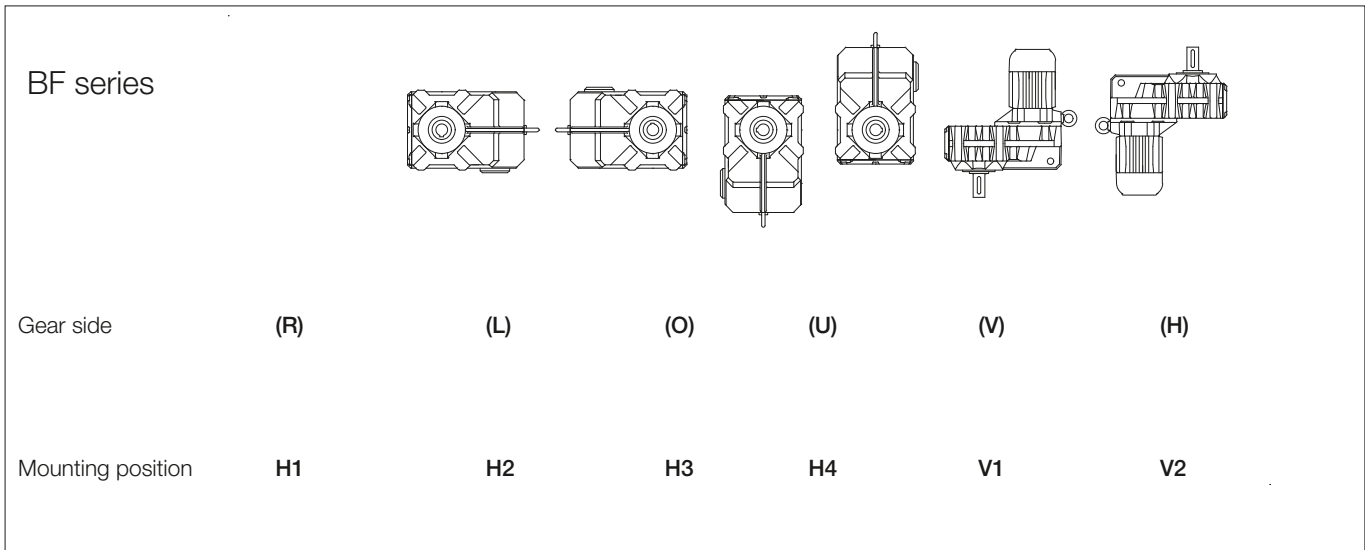
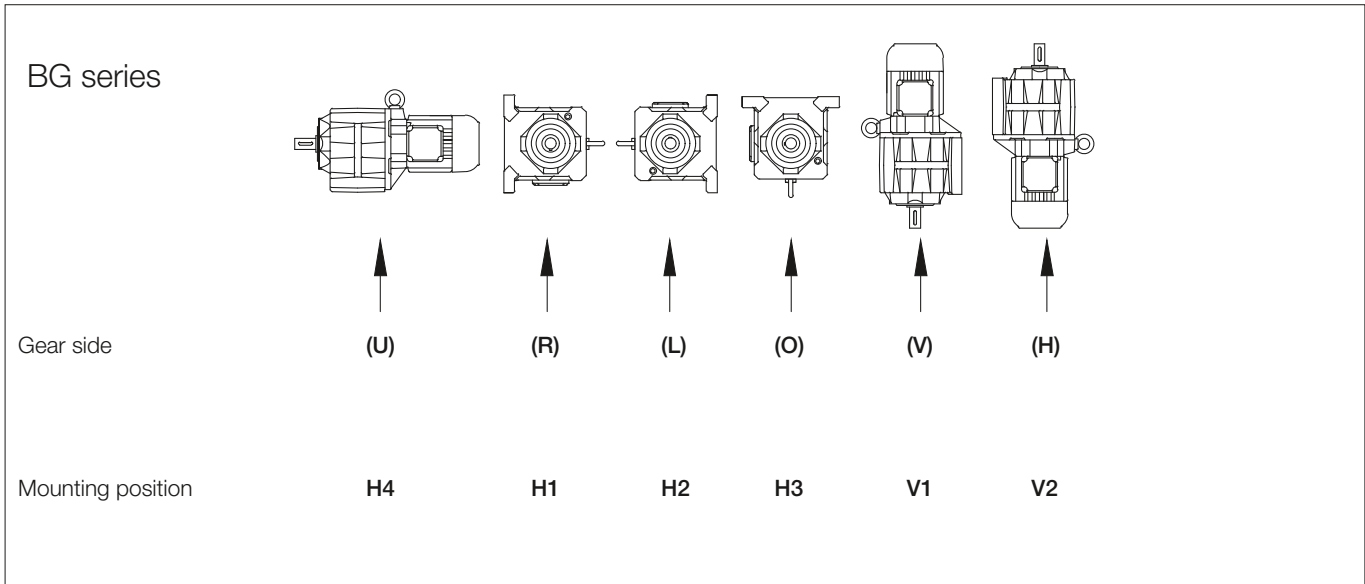
Gearboxes & Lubrication

Standard mounting positions	57
Position of the terminal box	59
Position of the terminal box and the cable entry points (BG and BF)	59
Position of the terminal box and the cable entry points (BK and BS)	60
Gearboxes	61
Radial and axial forces at the output shaft	61
Dimensions and fits of output shafts and keyways	61
Installing transmission elements	61
Gear with solid shaft	61
Gear with hollow shaft	61
Shrink disc coupling	61
Torque restraint	62
Notes for installing shaft mount gears with hollow shaft and keyway	62
Gear ventilation	62
Output shaft seals	62
Lubricants	63
Lubricant quantities	64
Lubricant quantities, BG-series gears	65
Lubricant quantities, BG20-01R	66
Lubricant quantities, BF-series gears	67
Lubricant quantities, BK-series gears	68
Lubricant quantities, BS-series gears	69
Lubricant quantities, pre-stage gears (Z)	70
Lubrication quantity for intermediate gear	71
Threaded plugs	72
Position of threaded plugs	
-BG-series gears	72
-BG-20-01R	73
-BF-series gears	74
-BK-series gears	75
-BS-series gears	76
-pre-stage gears (Z)	77
-in the System Cover Design with Standard Geared Motor	78
-in the System Cover Design with foreign motor or gear design with input shaft	79
-in the System Cover Design with pre-stage Z	80

Energy Efficient Geared Motors

AC Line Operated / European Union

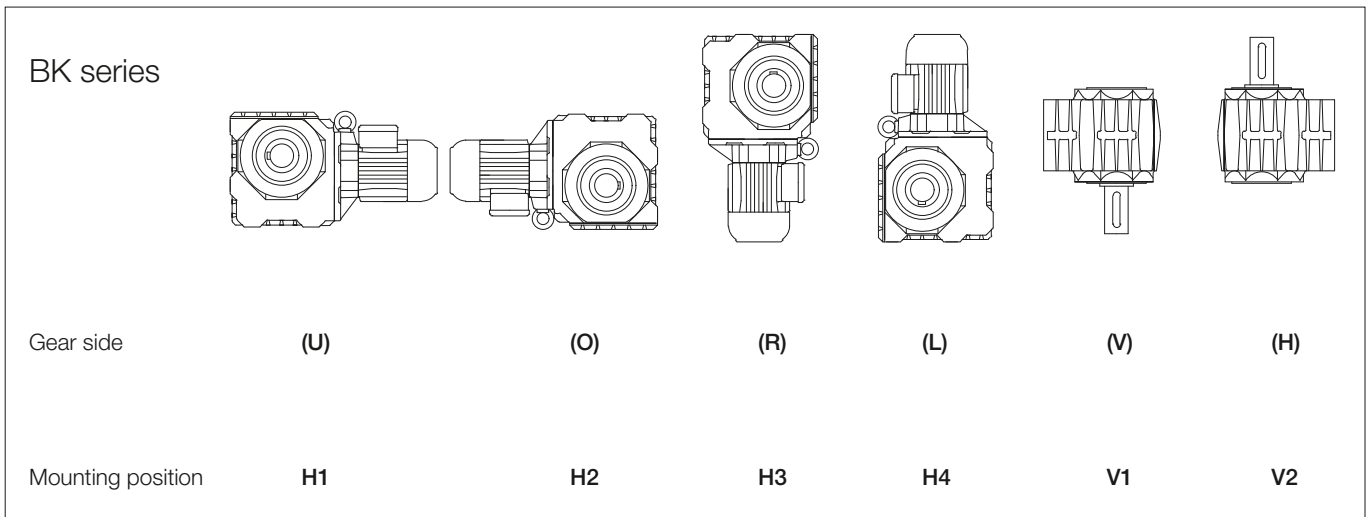
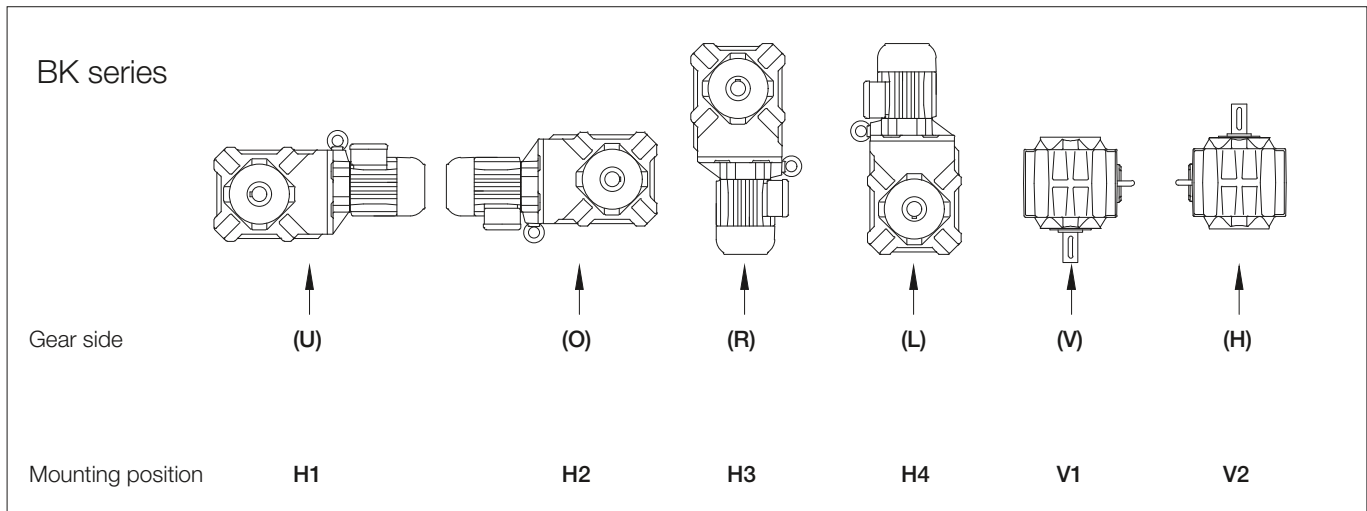
5



Gearboxes & Lubrication

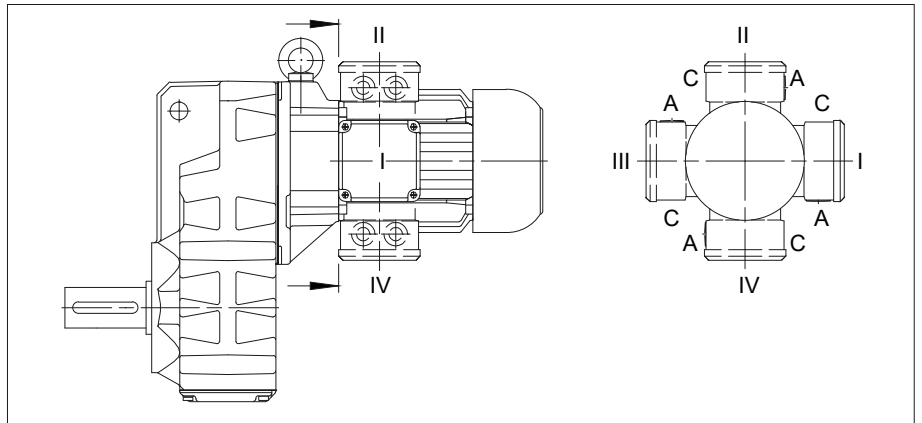
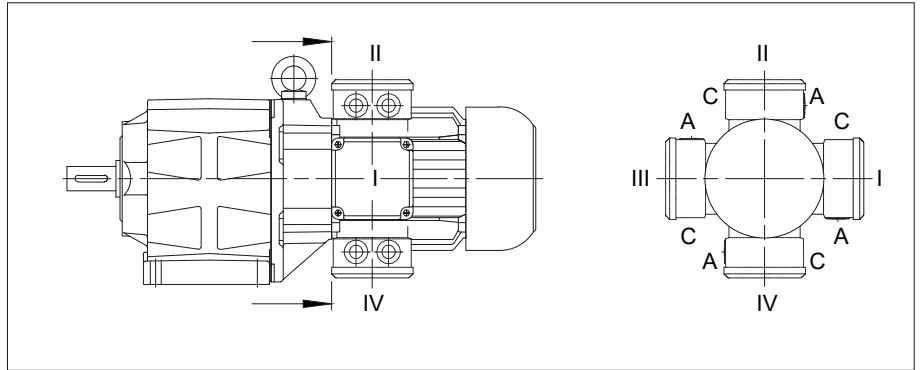
Standard mounting positions

5



Position of the terminal box and the cable entry points (BG and BF)

The standard position of the terminal box for helical-gear and shaft-mounted geared motors is position I. Cables may be introduced from side A or C.



Turning or rotating the gearbox in space in the different mounting positions according to DIN 42950 does not influence the marking as shown. The details of the terminal box always show the position of the terminal box and the cable entry in relation to the gearbox and not in space. The mounting according to DIN 42950 is to be given separately.

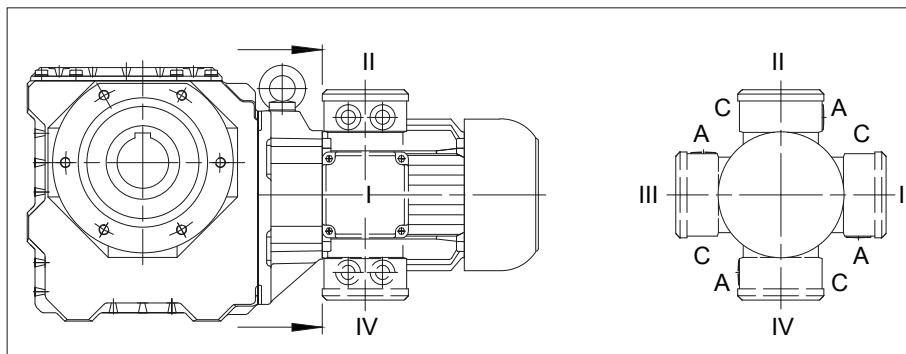
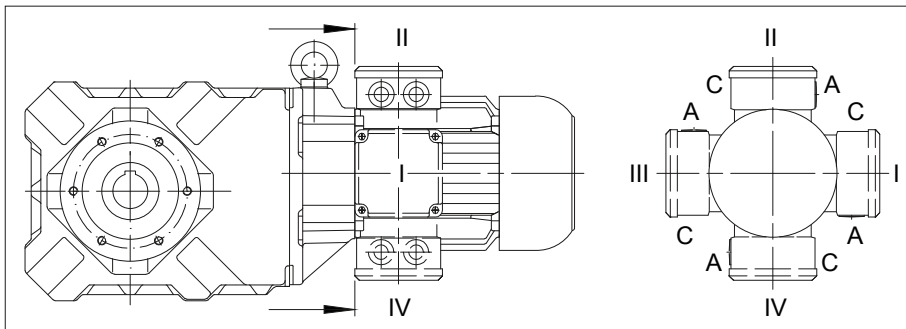
Gearboxes & Lubrication

Position of the terminal box

Position of the terminal box and the cable entry points (BK and BS)

The standard position of the terminal box for bevel-gear and worm-gear motors is position II.

Cable entry through side A or side C is possible



Turning or rotating the gearbox in space in the different mounting positions according to DIN 42950 does not influence the marking as shown. The details of the terminal box always show the position of the terminal box and the cable entry in relation to the gearbox and not in space. The mounting according to DIN 42950 is to be given separately.

Radial and axial forces at the output shaft

The output shafts and output-shaft bearings are matched to the motor torques. It is advisable to locate the drive-transmission element's point of application as close as possible to the shaft collar to ensure that the load imposed by external radial forces is not unnecessarily high. Permissible values for radial forces referred to the output shaft centreline are listed in the selection tables. Please consult us if your application involves extra-high axial loading.

Dimensions and fits of output shafts and keyways

Output shaft and second shaft stub, keyway and key are in compliance with the DIN standards and ISO fits listed below:

Solid shaft

Shaft diameter	to D = 50 mm in ISO k6 (DIN 748 Page1) as of D = 50 mm in ISO m6 (DIN 748 Page 1)
Keyway	ISO P9 (DIN 6885 Page 1)
Key, height	ISO h9 (DIN 6885 Page 1 and DIN 6880)
Bore - customer	ISO H7

Hollow shaft with keyway

Bore diameter	ISO H7 (DIN 748)
Keyway	ISO JS9 (DIN 6885 Page 1)
Key, height	ISO h9 (DIN 6885 Page 1 and DIN 6880)
Customer shaft	ISO h6

Hollow shaft for shrink-on disc coupling (SSV)

Outside diameter	ISO f7
Inside diameter	ISO H7
Customer shaft	ISO h6

Installing transmission elements

Note:

Gearboxes using torque reaction by means of a flange (Code 2.; 3; 4.; 7.; 8.) or torque arm (Code 5.), must have the side for the torque reaction the same as where the radial force on the output shaft occurs (see rubber buffers for torque arms)! Please consult the factory for other designs.

Gear with solid shaft

Always exercise meticulous care when fitting transmission elements onto output shafts and, whenever possible, use the DIN 332 tapped bore provided for this purpose. Fitting is usually easier if the transmission element can be heated to approximately 100 °C for installation. Dimension the locating bore to ISO H7.

Gears with solid shaft at each end (gear code -.3/): alignment of the two keys is subject to the DIN 7168 tolerances, the degree of accuracy is "fine".

Gear with hollow shaft

Hollow shafts usually engage solid shafts of the driven machinery. The gear unit must be mounted such as to be free of constraint and be fixed axially (e.g. by means of assembly help acc. following description "notes for installing shaft mount gears with hollow shaft and keyway"). Special contract provision must be made if the hollow shaft has to guide the solid shaft or, for any other reason, close out-of-round tolerance referenced to a point on the gear housing (such as a flange, for instance) is required.

Shrink disc coupling

A shrink disc coupling (SSV) can transmit high torque from the non-grooved hub to the smooth shaft. The SSV is easily secured and released, using commercially available bolts. SSVs are the ideal supplement for shaft mount gears. The maximum transmittable torque for the selected shrink discs when fitted and mounted according to instructions is above the starting torque of the respective motors classified as standard (for classification of shrink disc sizes see chapter 11, 12, 13 "Additional dimensional drawings for Shrink disc coupling")

Torque restraint

Shaft-mounted geared motors require a suitable torque restraint to resist the reaction torque. Shaft-mounted gears have cast torque arms as standard. Bevel gears and worm gears are available with bolt-on torque arms on request. The torque arm is screwed onto the front "V" on the side of the gear unit. It is always important to ensure that the torque arm does not create excessive constraining forces due to the driven shaft running untrue, for example. Excessive play can result in excessive shock torques in switching or reversing operations. Consequently, we recommend the use of pre-tensioned rubber damping elements. These rubber buffers are part of the scope of supply for designs with a torque arm (see chapter 11, 12., 13 dimensional drawings "Rubber buffer for torque restraint")

Notes for installing shaft mount gears with hollow shaft and keyway

(1) Attaching the hollow shaft to the customer shaft

Threaded bolt (d) is screwed into the end thread of the shaft to be driven. By tightening the nut, apply force to thrust plate (b) and locating ring (c) to draw the gear unit onto the shaft.

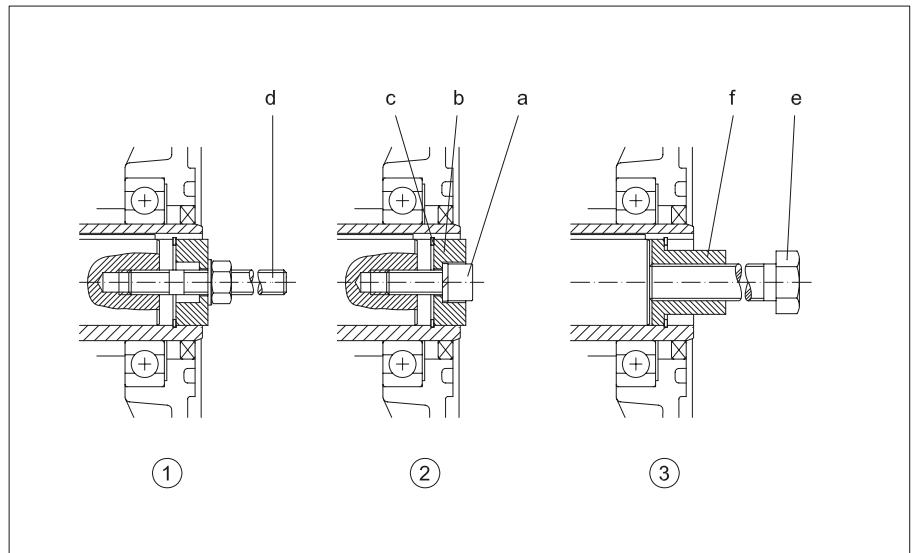
(2) Axial fastening

Pressure piece (b) is rotated and fitted against retaining ring (c) using fixing screw (a).

(3) Removing

Extractor (f) is fitted between the end face of the shaft and retainer ring (c). Tighten press-off screw (e) against the end of the shaft and pull the gear unit off the shaft.

Manufacturing drawings for the required parts are available on request. These parts are not included in the scope of supply.



Detailed information on shaft-mounted gear units, bevel-gear units and worm-gear units is available (see chapter 11, 12, 13 dimensional drawings "Tools for fitting shaft-mounted gear with hollow shaft and keyway").

Gear ventilation

The lifetime of the gearbox lubricant increases the better it is protected from negative environmental influences. Should the oil level or the gearbox ratio cause a very high lubricant temperature, the gearbox will be supplied as standard with a breather plug. Either on request or for corresponding high ambient temperatures, all gearboxes from size 10 can be supplied with a breather plug.

For the position of the threaded plugs see chapter 5 threaded plugs.

Output shaft seals

All size 10 and larger gears are available with double seals for the output shaft on request and at extra cost. Double seals are particularly effective if the output shaft points down and as protection against external influences

Lubricants

The drives are shipped ready-filled with gear lubricant. Lubricated in this way, the gear units are suitable for ambient temperatures in the range -20 °C to + 40 °C. The quantity of lubricant is optimised for the desired installed position as is stated on the nameplate. The type of lubricant is stated in the Operating Instructions. Lubricants for other temperature ranges or special applications available on request.

Wear-protective EP gear oils as indicated in the following table have proven particularly effective:

Manufacturer	Lubricant type					
	Mineral Oil	Synthetic Oil			USDA H1 Oil	
	ISO VG 220	ISO VG 68	ISO VG 220	ISO VG 460	ISO VG 220	
	Standard oil for gearboxes in the series BF06-BF90 BG04-BG100 BK60-BK90	Low temperature oil for gearboxes in the series BF06-BF90 BG04-BG100	BK06-BK90 BM09-BM40 BS02-BS40	Standard oil for gearboxes in the series BS02-BS10 BK06-BK10 BM09-BM40 High temperature oil for gearboxes in the series BS02-BS10 BK06-BK10 BF06-BF90 BG04-BG100 BK60-BK90 BM09-BM10	Standard oil for gearboxes in the series BS20-BS40 BK17-BK50 BM20-BM40 High temperature oil for gearboxes BS20-BS40 BK17-BK50 BM20-BM40	Food and Beverage Industry Oil for gearboxes in the series BF06-BF90 BG04-BG100 BK06-BK90 BM09-BM40 BS02-BS40
AGIP	BLASIA 220 [13 02 08]	—	—	BLASIA S 220 [13 02 06]	BLASIA S 460 [13 02 06]	—
BECHER RHUS	STAROIL G 220 [13 02 08]	—	BERUSYNTH EP 68 [13 02 06]	BERUSYNTH EP 220 [13 02 06]	BERUSYNTH EP 460 [13 02 06]	BERUSYNTH EP 220 H1 [13 02 06]
CASTROL	ALPHA EP 220 [13 02 08] ALPHA SP 220 [13 02 08] OPTIGEAR EP 220 [13 02 08] OPTIGEAR 1100/220 [13 02 08]	Alphasyn T68 [13 02 06]	—	ALPHASYN PG 220 [13 02 06] OPTIGEAR 800/220 [13 02 06] OPTIGEAR 1300/220 [13 02 06] ALPHASYN GS 220 [13 02 06]	ALPHASYN PG 460 [13 02 06] OPTIGEAR 800/460 [13 02 06] OPTIGEAR 1300/460 [13 02 06] ALPHASYN GS 460 [13 02 06]	OPTILEB GT 220 (CLP-HC) [13 02 06] OPTILEB GT 1800/220 (CLP-PG) [13 02 08]
CHEVRON	Meropa 220 [13 02 08] GEARTEX EP-A SAE 85W-90 [13 02 06]	—	Meropa Synlu-be WS 68 [13 02 06]	Meropa Synlube WS 220 [13 02 06]	Meropa Synlube WS 460 [13 02 06]	Chevron lubricating oils FM 220 (USA) [13 02 06]
FUCHS	RENOLIN CLP 220 [13 02 08] RENOLIN CLPF 220 SUPER [13 02 08] RENOLIN CLP 220 PLUS [13 02 08]	RENOLIN UNISYN CLP 68 [13 02 06]	RENOLIN PG 68 [13 02 06]	RENOLIN PG 220 [13 02 06]	RENOLIN PG 460 [13 02 06]	CASSIDA FLUID GL 220 [13 02 06]
KLÜBER	KLÜBEROIL GEM 1-220 N [13 02 08]	—	KLÜBER-SYNTH GH 6-80 [13 02 06]	KLÜBERSYNTH GH 6-220 [13 02 06]	KLÜBERSYNTH GH 6-460 [13 02 06]	KLÜBEROIL 4UH1-220 N [13 02 06] KLÜBERSYNTH UH1 6-220 [13 02 06]
MOBIL	MOBILGEAR 600 XP 220 [13 02 08]	MOBIL SHC 626 [13 02 06]	—	MOBIL SHC Gear 220 [13 02 06] MOBIL SHC 630 [13 02 06]	MOBIL SHC Gear460 [13 02 06] MOBIL SHC 634 [13 02 06]	MOBIL SHC CIBUS 220 [13 02 06]
OEST	Gearol 220 [13 02 06]	—	—	—	—	—
SHELL	OMALA S2 GX220 [13 02 08]	—	—	OMALA S4 WE 220 [13 02 06]	OMALA S4 WE 460 [13 02 06]	—
TOTAL	CARTER EP 220 [13 02 08] CARTER XEP 220 [13 02 06]	—	—	CARTER SY 220 [13 02 06]	CARTER SY 460 [13 02 06]	NEVASTANE SL220 [13 02 06] NEVASTANE EP 220 [13 02 06] NEVASTANE SY 220 [13 02 06]
WINTERSHALL	SRS ERSOLAN 220 [13 02 08]	—	—	—	—	—

[...] European Waste Catalogue Code (Decision 2001/118/CE)

Important:

Synthetic gear oils of a Polyglykol base (e.g. PGLP...) must be disposed of separately to mineral oil as **special waste**.

So long as the ambient temperature does not fall below -20 °C the international definition of the viscosity class at 40 °C according to ISO 3448 and DIN 51519 ISO the viscosity class VG220 (SAE90) is recommended according, in North America AGMA 5EP.

For lower temperatures it is recommended to use oils of a lower nominal viscosity with a corresponding better starting characteristic, for instance a PGLP with a nominal viscosity VG68 (SAE80) or AGMA 2EP respectively. These types of oil can already be necessary at a temperature around the freezing point, if the break away torque of a drive is reduced by some smooth starting device or if the motor has a relatively low power

Lubricant quantities

5

The preferred quantity of lubricant for the planned type of installation is stated on the motor's rating plate (symbol "oil can"). When topping up care should be taken to ensure that, depending on the fitting position, gearwheels and rolling contact bearings positioned at the top are also properly oiled. In special versions the oil level mark should be noted. Information about the quantity of lubricant required for other types of installation can be obtained from the factory

Lubricant quantities, BG-series gears

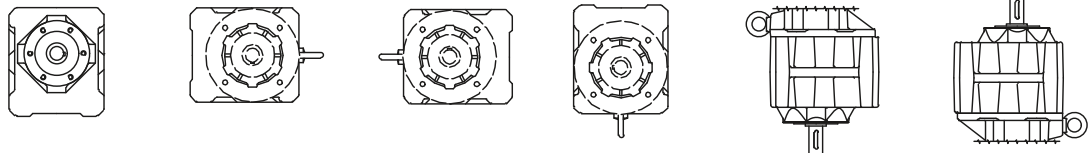
Gear-housing with flange or foot

Flange (Code-2./Code-3./Code-4./Code-7.)

Foot with threaded holes (Code -6.)

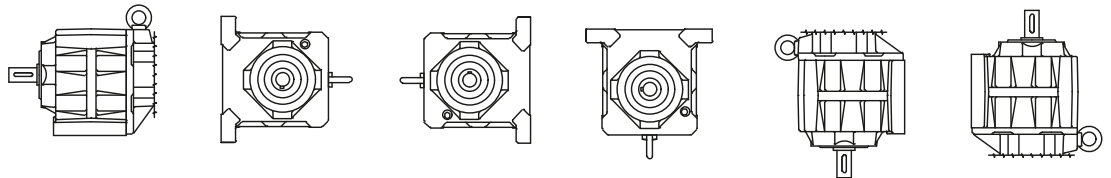
Foot with clearance holes (Code-9.)

Completely machined (Code -8.)



Foot housing

cast foot with clearance holes (Code -1.)



Gearbox type		H4	H1	H2	H3	V1	V2
BG04	*	0.03	0.03	0.03	0.03	0.55	0.55
	**	0.05	0.05	0.05	0.05	0.1	0.05
BG05	*	0.05	0.05	0.05	0.05	0.08	0.08
	**	0.08	0.08	0.08	0.08	0.16	0.8
BG06	*	0.08	0.08	0.08	0.08	0.15	0.15
	**	0.12	0.12	0.12	0.12	0.24	0.15
BG10	*	0.65	0.65	0.65	0.85	1.05	0.85
	**	0.45	0.45	0.45	0.6	0.75	0.6
BG15	**	0.4	0.4	0.4	0.35	0.62	0.55
BG20	*	0.8	0.8	0.8	1.1	1.4	1.1
	**	0.6	0.6	0.6	1.0	1.15	0.9
BG30	*	1.0	1.0	1.0	1.7	2.4	1.6
	**	1.0	1.0	1.0	1.7	2.3	1.7
BG40	*	1.7	1.7	1.7	2.5	3.5	2.1
	**	1.7	1.7	1.7	2.5	3.5	2.1
BG50	*	3.0	3.0	3.0	4.5	5.5	3.3
	**	3.0	3.0	3.0	4.5	5.5	3.3
BG60	*	5.5	5.5	5.5	7.0	10.9	6.4
	**	5.5	5.5	5.5	7.0	10.9	6.4
BG70		6.5	6.5	6.5	8.0	13.5	9.0
BG80		11.0	11.0	11.0	11.0	22.5	15.0
BG90		19.0	19.0	19.0	19.0	40.0	26.0
BG100		35.0	35.0	55.0	50.0	66.0	50.0

* Flange Housing

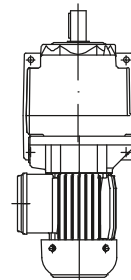
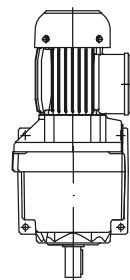
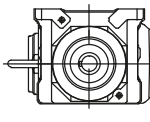
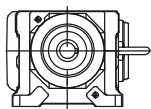
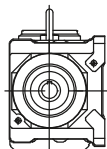
** Foot Housing

Lubrication quantity in litre

Gearboxes & Lubrication

Lubricants

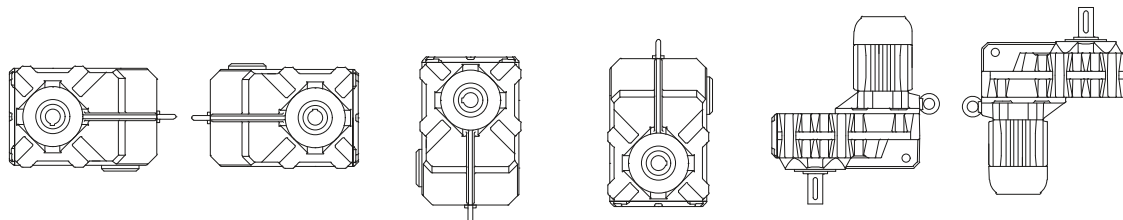
Lubricant quantities, BG20-01R



5

Gear type	H4	H1	H2	H3	V1	V2
BG20R	0.8	1.0	0.8	1.4	1.65	1.0
Lubrication quantity in litre						

Lubricant quantities, BF-series gears

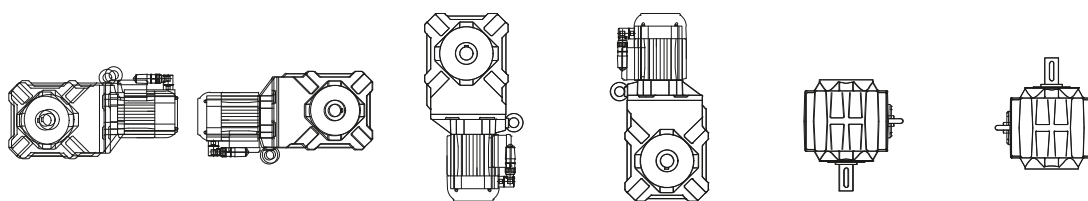


Gear type	H1	H2	H3	H4	V1	V2
BF06	0.25	0.25	0.25	0.37	0.35	0.3
BF10	0.85	0.85	0.85	1.1	1.45	1.5
BF20	1.3	1.3	1.3	1.7	2.2	2.25
BF30	1.7	1.7	1.7	2.2	3.2	3.0
BF40	2.7	2.7	2.7	3.5	4.9	4.8
BF50	3.8	3.8	3.8	5.0	6.7	6.7
BF60	6.7	6.7	6.7	9.0	12.3	12.0
BF70	12.2	12.2	12.2	16.0	24.2	21.8
BF80	17.0	17.0	17.0	21.0	32.2	27.5
BF90	32.0	32.0	32.0	41.0	62.0	53.0
Lubrication quantity in litre						

Gearboxes & Lubrication

Lubricants

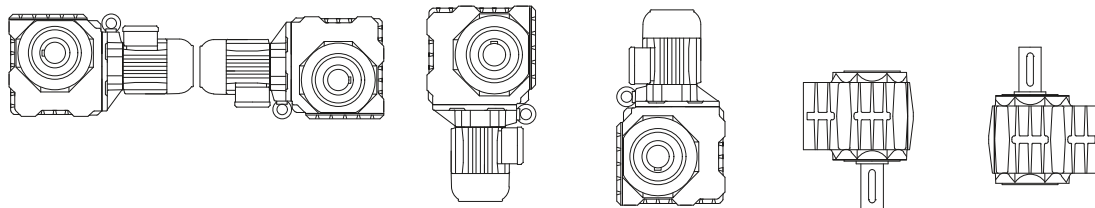
Lubricant quantities, BK-series gears



Gear type	H1	H2	H3	H4	V1	V2
BK06	0.15	0.23	0.29	0.31	0.18	0.23
BK10	0.83	0.83	0.92	1.75	0.92	0.92
BK17	1.0	1.7	1.8	2.6	1.3	1.8
BK20	1.5	1.5	1.6	2.9	1.65	1.65
BK30	2.2	2.2	2.3	4.4	2.4	2.4
BK40	3.5	3.5	3.5	7.0	3.7	3.7
BK50	5.8	5.8	5.8	1.5	6.0	6.0
BK60	6.0	8.7	6.9	12.0	8.6	8.6
BK70	10.2	15.0	11.5	20.5	13.5	14.5
BK80	18.0	25.5	19.0	37.0	23.5	25.5
BK90	33.0	48.0	36.0	69.0	45.0	48.0

Lubrication quantity in litre

Lubricant quantities, BS-series gears

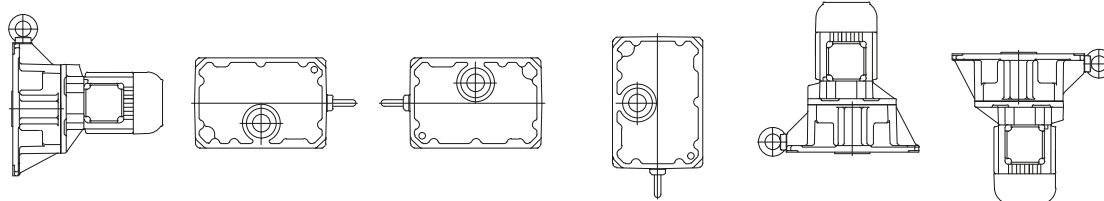


Gear type	H1	H2	H3	H4	V1	V2
BS02	0.06	0.06	0.06	0.06	0.06	0.06
BS03	0.17	0.17	0.17	0.17	0.17	0.17
BS04	0.11	0.17	0.11	0.2	0.11	0.11
BS06	0.24	0.36	0.24	0.45	0.24	0.24
BS10	0.9	1.3	0.9	1.6	0.9	0.9
BS20	1.5	2.1	1.5	2.7	1.5	1.5
BS30	2.2	3.0	2.2	3.8	2.2	2.2
BS40	3.5	4.7	3.5	6.0	3.5	3.5
Lubrication quantity in litre						

Gearboxes & Lubrication

Lubricants

Lubricant quantities, pre-stage gears (Z)



5

	H4	H1	H2	H3	V1	V2
BF	H4	H1	H2	H3	V1	V2
BG						
BK	H1	V1	V2	H2	H4	H3
BS						
Gear type						
BG10Z BF10Z BK10Z BS10Z	0.10	0.05	0.12	0.07	0.16	0.07
BG20Z BF20Z BK20Z BS20Z	0.15	0.07	0.19	0.17	0.27	0.10
BG30Z BF30Z BK30Z BS30Z BM30Z	0.2*	0.10	0.35	0.22	0.35	0.19
BG40Z BF40Z BK40Z BS40Z BM40Z	0.32*	0.17	0.50	0.37	0.6	0.32
BG50Z BF50Z BK50Z	0.5	0.3	0.92	0.7	1.15	0.5
BG60Z BF60Z BK60Z	0.9	0.5	1.55	1.1	2.0	0.7
BG70Z BF70Z BK70Z BF80Z	1.2	0.6	1.8	1.6	2.4	1.4
BG80Z BF90Z BK80Z BG100Z	3.1	1.3	4.0	2.6	5.2	2.0
BG90Z BK90Z	4.2	1.5	5.4	3.5	7.7	3.0

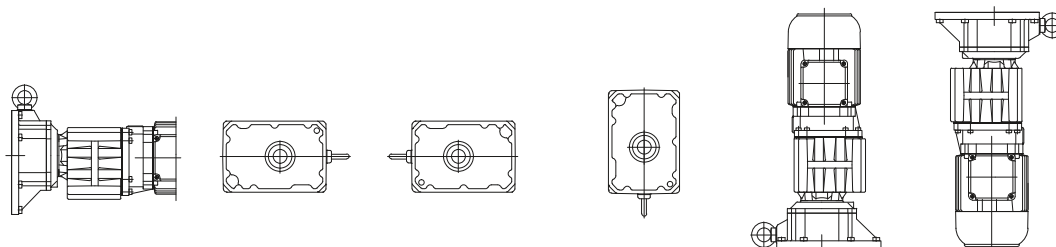
*: with BM30Z/BM40Z the pre-stage lubricant is filled via the main gearbox.

Lubrication quantity in litre

Lubrication quantity for intermediate gear

Definition of the terminal box position

Terminal box position for intermediate gear is similar to the main gearbox that means
 Main gearbox BG, BF terminal box pos. I -> intermediate gearbox terminal box pos. I
 Main gearbox BK, BS terminal box pos. II -> intermediate gearbox terminal box pos. II



5

Mounting position of main gearbox	BF	H4	H1	H2	H3	V1	V2
	BG	B3/B5	B6	B7	B8	V5/H5	V6/H6
	BK	H1	V1	V2	H2	H4	H3
	BS						

Type designation of double gearbox combination

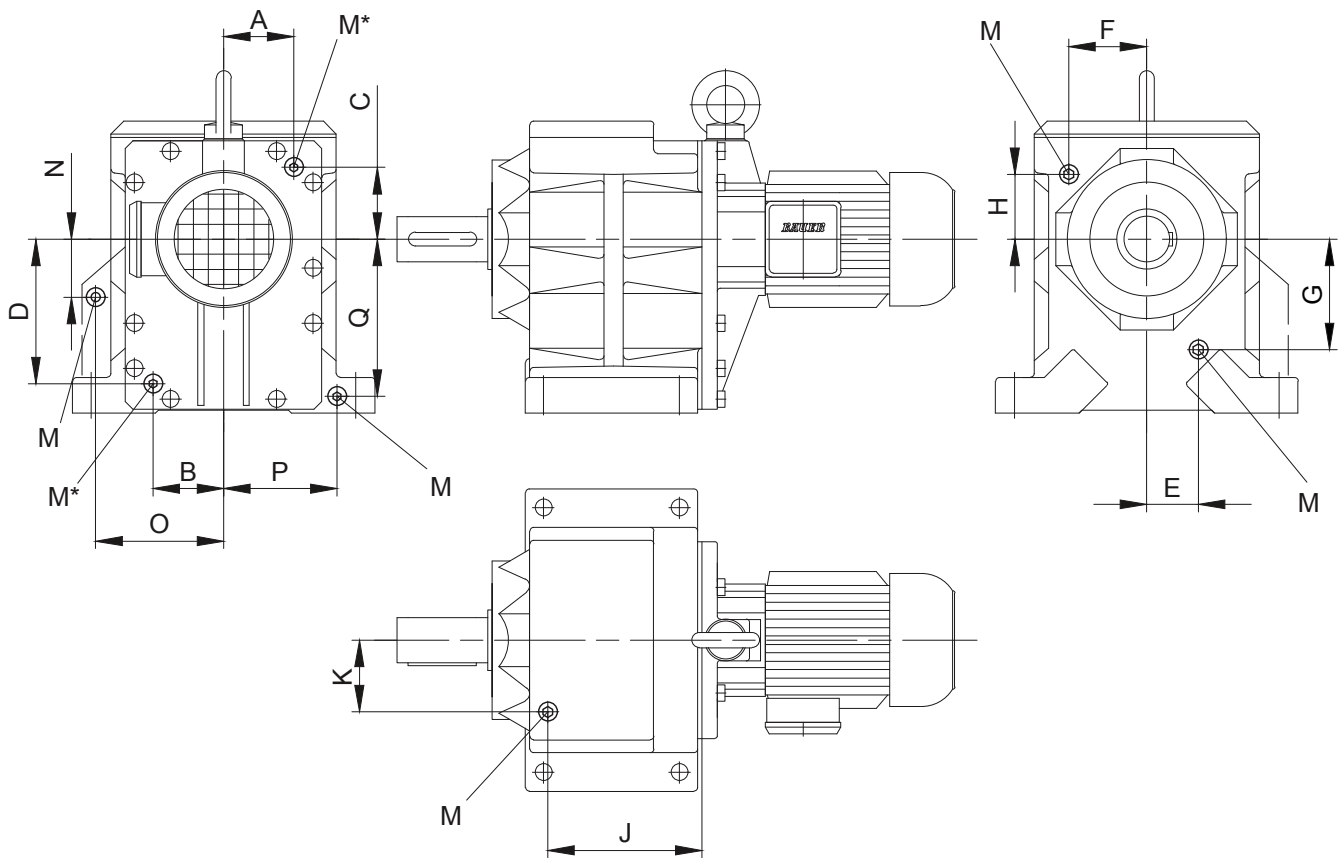
BG06G04 BK06G04 BS06G04		0.03	0.03	0.03	0.03	0.05	0.05
BG10G06 BK10G06 BS10G06	BF10G06	0.08	0.08	0.08	0.08	0.15	0.15
BG20G06 BK20G06 BS20G06	BF20G06	0.08	0.08	0.08	0.08	0.15	0.15
BG30G06 BK30G06 BS30G06	BF30G06	0.08	0.08	0.08	0.08	0.15	0.15
BG40G10 BK40G10 BS40G10	BF40G10	0.65	0.65	0.65	0.85	1.05	0.85
BG50G10 BK50G10	BF50G10	0.65	0.65	0.65	0.85	1.05	0.85
BG60G20 BK60G20	BF60G20	0.8	0.8	0.8	1.1	1.4	1.1
BG70G20 BK70G20	BF70G20	0.8	0.8	0.8	1.1	1.4	1.1
BG80G40 BK80G40	BF80G40	1.7	1.7	1.7	2.5	3.3	2.1
BG90G50 BK90G50 BG100G50	BF90G50	3.0	3.0	3.0	4.5	5.5	3.3

Lubrication quantity in litre

Gearboxes & Lubrication

Threaded plugs

Position of threaded plugs
-BG-series gears



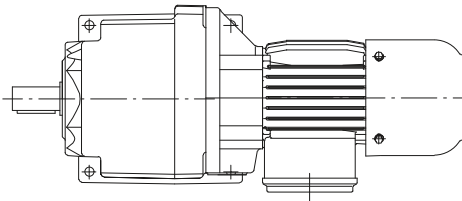
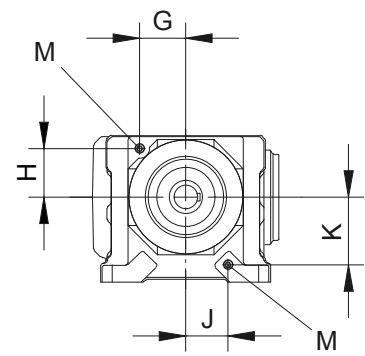
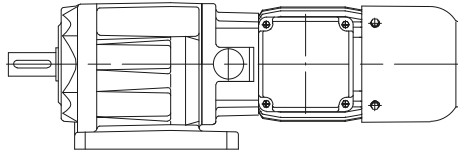
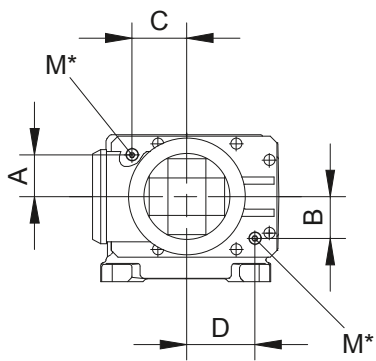
Typ		A	B	C	D	E	F	G	H	J	K	N	O	P	Q	M
BG10	Foot housing	see position of the oil drain and filler plugs on the system cover	Tab.I-Tab.III size B.10			33	42	48	41.5	-	-	-	-	-	-	M10x1
BG10	Flange housing		Tab.I-Tab.III size B.10			27	-	73	-	-	-	-	-	-	-	M10x1
BG15	Foot housing		Tab.I-Tab.III size B.10			-	-	-	-	-	-	-	-	-	-	-
BG20	Foot housing		Tab.I-Tab.III size B.20			-	47	-	52.5	-	-	-	-	-	-	M10x1
BG20	Flange housing		Tab.I-Tab.III size B.20			-	28	-	68	-	-	-	-	-	-	-
BG30	Foot housing		Tab.I-Tab.III size B.30			-	54	-	58	-	-	-	-	-	-	M10x1
BG30	Flange housing		Tab.I-Tab.III size B.30			-	58	-	48	-	-	-	-	-	-	M10x1
BG40	Foot housing		Tab.I-Tab.III size B.40			-	75	-	48	-	-	-	-	-	-	M14x1.5
BG40	Flange housing		Tab.I-Tab.III size B.40			-	75	-	48	-	-	-	-	-	-	M14x1.5
BG50	Foot housing		Tab.I-Tab.III size B.50			-	53	-	100	-	-	-	-	-	-	M14x1.5
BG50	Flange housing		Tab.I-Tab.III size B.50			-	53	-	100	-	-	-	-	-	-	M14x1.5
BG60	Foot housing		Tab.I-Tab.III size B.60			-	70	-	119	-	-	-	-	-	-	M20x1.5
BG60	Flange housing		Tab.I-Tab.III size B.60			-	70	-	119	-	-	-	-	-	-	M20x1.5
BG70			Tab.I-Tab.III size B.70			-	103	-	86	204	95	-	-	-	-	M20x1.5
BG80			Tab.I-Tab.III size B.80			-	133	-	110	237	111	-	-	-	-	M20x1.5
BG90			Tab.I-Tab.III size B.90			-	165	-	124	297	140	-	-	-	-	M24x1.5
BG100		Tab.I-Tab.III size B.80			-	202	-	128	420	165	135	263	202	293	M24x1.5	

M = Plug according to DIN 908

Dimensions in millimetres (mm)

M* = Size and position of the drain plug see page 78.

Position of threaded plugs
-BG-20-01R



Type	A	B	C	D	G	H	J	K	M
BG20-01R Roller table	see position of the oil drain and filler plugs on the system cover Tab.I-Tab.III size B20				48.5	51.5	45	71.5	M10x1
M = Plug according to DIN 908 Dimensions in millimetres (mm)									

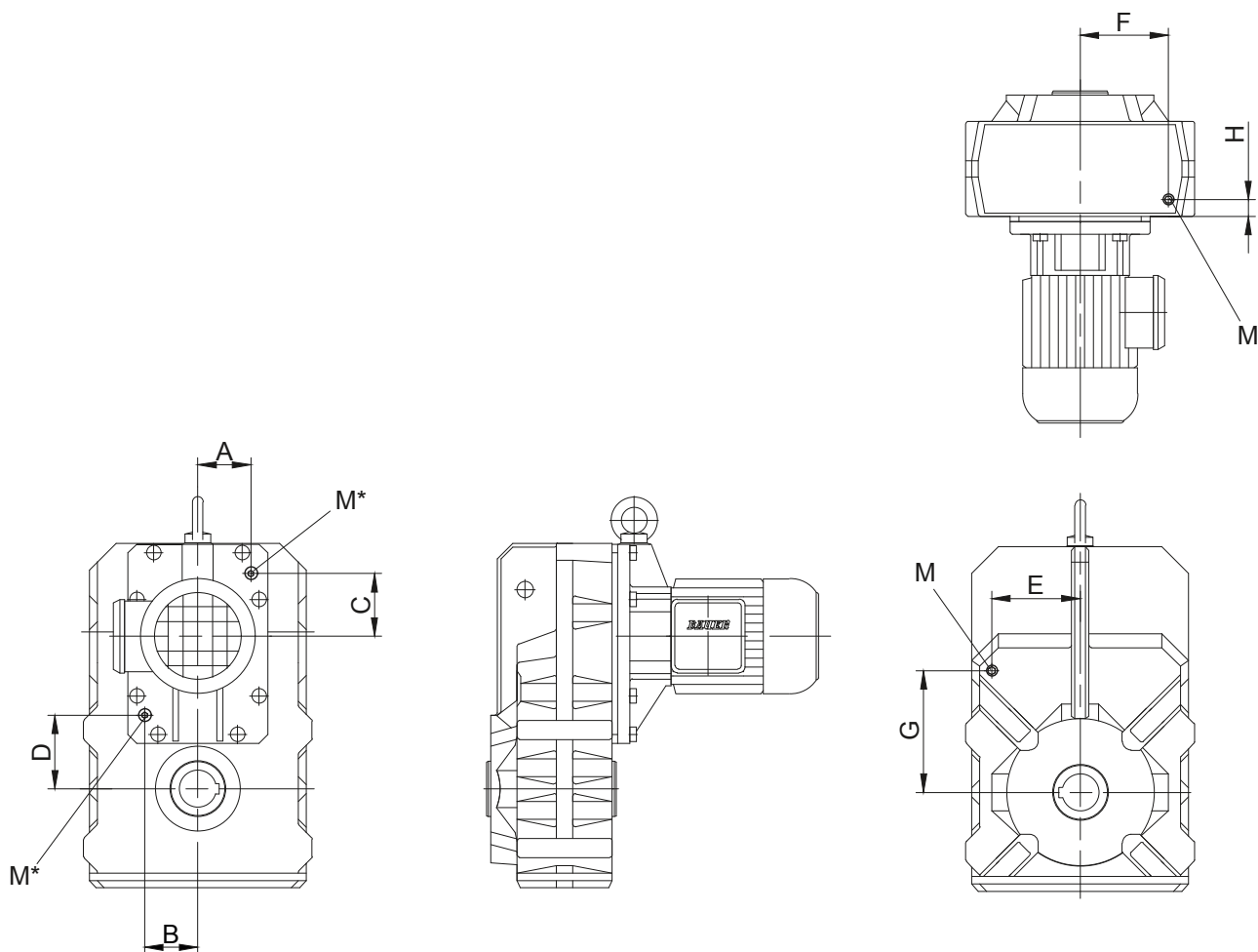
M* = Size and position of the drain plug see page 78.

Threaded plugs

Position of threaded plugs

-BF-series gears

5



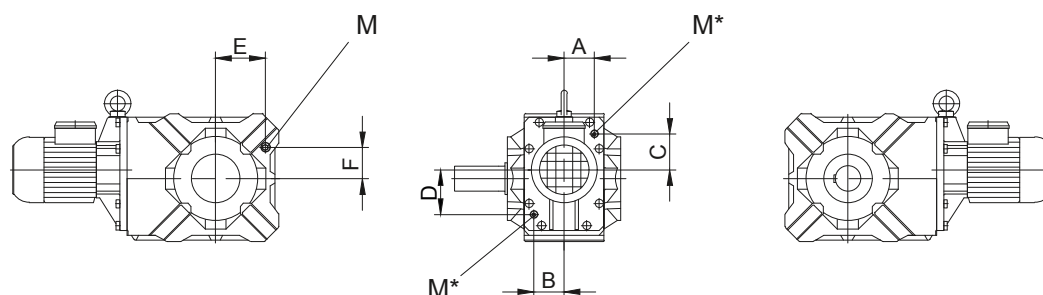
Type	A	B	C	D	E	F	G	H	M
BF06	see position of the oil drain and filler plugs on the system cover	on request							
BF10		Tab.I-Tab.III size	B.10	64	65	97	28	M10x1	
BF20		Tab.I-Tab.III size	B.20	77	70	115	30.5	M10x1	
BF30		Tab.I-Tab.III size	B.30	88	82	125	36.5	M10x1	
BF40		Tab.I-Tab.III size	B.40	100	86	141	33	M14x1.5	
BF50		Tab.I-Tab.III size	B.50	120	105	165	42.3	M14x1.5	
BF60		Tab.I-Tab.III size	B.60	140	145	200	50.5	M20x1.5	
BF70		Tab.I-Tab.III size	B.70	165	177	235	52.5	M20x1.5	
BF80		Tab.I-Tab.III size	B.70	145	148	255	123	M20x1.5	
BF90		Tab.I-Tab.III size	B.80	155	176	347.5	260	M24x1.5	

M = Plug according to DIN 908
 Dimensions in millimetres (mm)

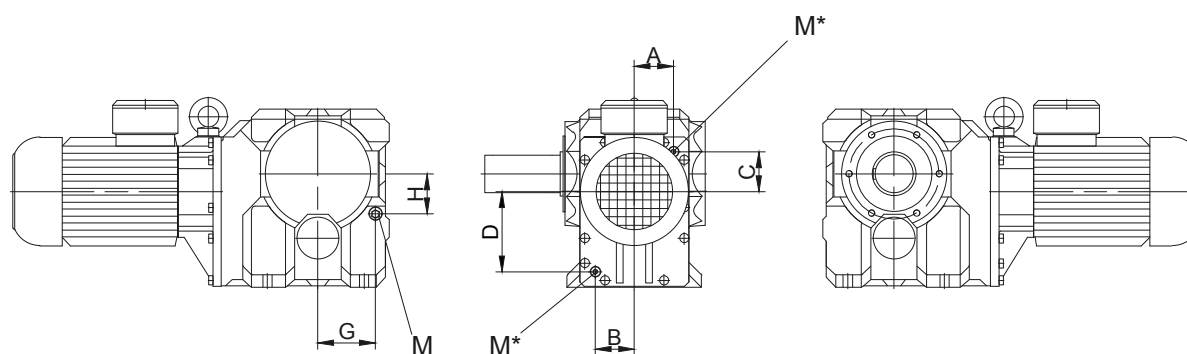
M* = Size and position of the drain plug see page 78.

Position of threaded plugs
-BK-series gears

BK10 - BK50



BK60 - BK90



Type	A	B	C	D	E	F	G	H	M
BK06	see position of the oil drain and filler plugs on the system cover	on request							
BK10		Tab.I-Tab.III size B.10	62	32.5	-	-	M10x1		
BK20		Tab.I-Tab.III size B.20	73.5	37.5	-	-	M10x1		
BK30		Tab.I-Tab.III size B.30	80	43	-	-	M10x1		
BK40		Tab.I-Tab.III size B.40	88	49	-	-	M14x1.5		
BK50		Tab.I-Tab.III size B.50	118	74	-	-	M14x1.5		
BK60		Tab.I-Tab.III size B.60	-	-	93	87	M20x1.5		
BK70		Tab.I-Tab.III size B.70	-	-	137	95	M20x1.5		
BK80		Tab.I-Tab.III size B.80	-	-	150	117	M20x1.5		
BK90		Tab.I-Tab.III size B.90	-	-	208	135	M24x1.5		

M = Plug according to DIN 908
Dimensions in millimetres (mm)

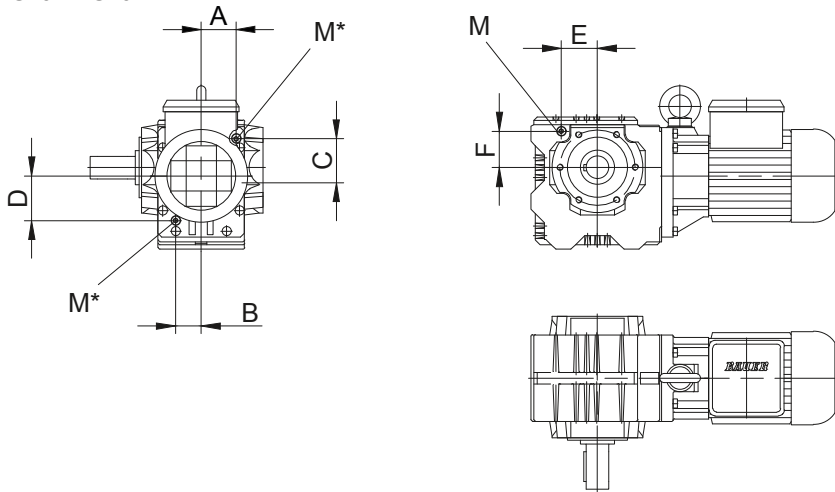
M* = Size and position of the drain plug see page 78.

Gearboxes & Lubrication

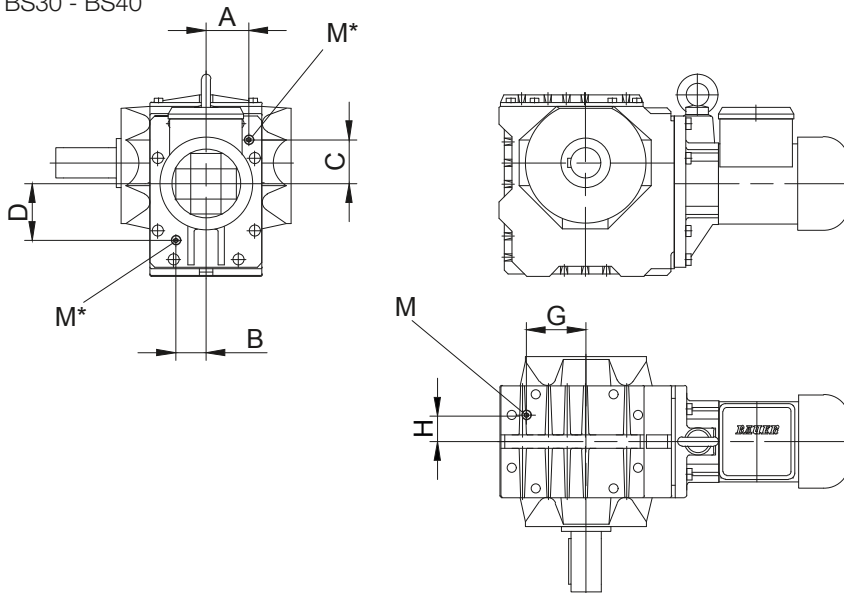
Threaded plugs

Position of threaded plugs
-BS-series gears

BS10 - BS20



BS30 - BS40

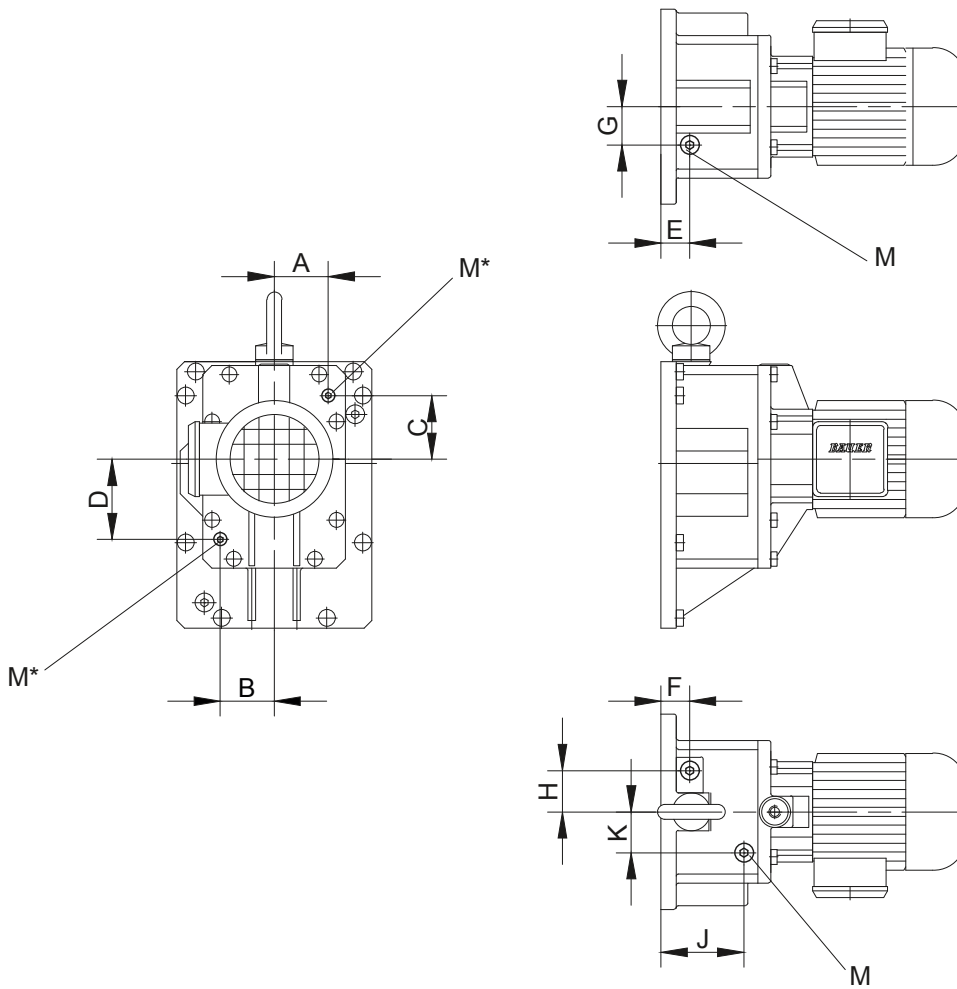


Type	A	B	C	D	E	F	G	H	M
BS10	see position of the oil drain and filler plugs on the system cover	Tab.I-Tab.III size B.10			48	50	-	-	M10x1
BS20		Tab.I-Tab.III size B.20			59	63	-	-	M10x1
BS30		Tab.I-Tab.III size B.30			-	-	79	35	M10x1
BS40		Tab.I-Tab.III size B.40			-	-	93.5	41.5	M14x1.5

M = Plug according to DIN 908
Dimensions in millimetres (mm)

M* = Size and position of the drain plug see page 78.

Position of threaded plugs
-pre-stage gears (Z)



5

Gear	A	B	C	D	E	F	G	H	J	K	M	
BG10(Z);BK10(Z)	-	-	-	-	25	-	17.5	-	44	25	M10x1	
BF10(Z);BS10(Z)												
BG20(Z);BK20(Z)	-	-	-	-	49	-	28.5	-	23.5	28	M10x1	
BF20(Z);BS20(Z)												
BG30(Z);BK30(Z)	see position of the oil drain and filler plugs on the system cover	Tab.I and Tab.III size B10			-	24	-	30	-	-	-	M10x1
BF30(Z);BS30(Z)		Tab.I and Tab.III size B20			-	27.5	-	36.5	-	-	-	M14x1.5
BG40(Z);BK40(Z)		Tab.I and Tab.III size B30			-	-	-	-	-	29	43	M14x1.5
BF40(Z);BS40(Z)		Tab.I and Tab.III size B40			-	33	-	48	-	-	-	M20x1.5
BG50(Z);BK50(Z)		Tab.I and Tab.III size B50			-	38	-	55	-	-	-	M20x1.5
BF50(Z)		Tab.I and Tab.III size B60			-	45	-	-	-	-	-	M20x1.5
BG60(Z);BK60(Z)		Tab.I and Tab.III size B70			-	-	-	-	-	-	-	M24x1.5
BF60(Z)		Tab.I and Tab.III size B70			-	-	-	-	-	-	-	M24x1.5
BG70(Z);BK70(Z)		Tab.I and Tab.III size B70			-	-	-	-	-	-	-	M24x1.5
BF70(Z);BF80(Z)		Tab.I and Tab.III size B70			-	-	-	-	-	-	-	M24x1.5
BG80(Z);BK80(Z)		Tab.I and Tab.III size B70			-	-	-	-	-	-	-	M24x1.5
BF90(Z);BG100(Z)		Tab.I and Tab.III size B70			-	-	-	-	-	-	-	M24x1.5
BG90(Z);BK90(Z)		Tab.I and Tab.III size B70			-	-	-	-	-	-	-	M24x1.5

M = Plug according to DIN 908
Dimensions in millimetres (mm)

M* = Size and position of the drain plug see page 78.

Gearboxes & Lubrication

Threaded plugs

Position of threaded plugs
-in the System Cover Design with Standard Geared Motor

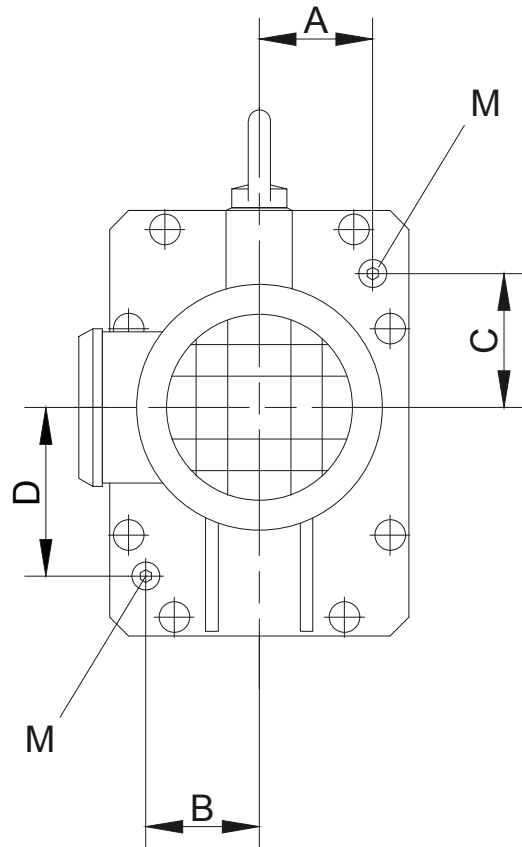


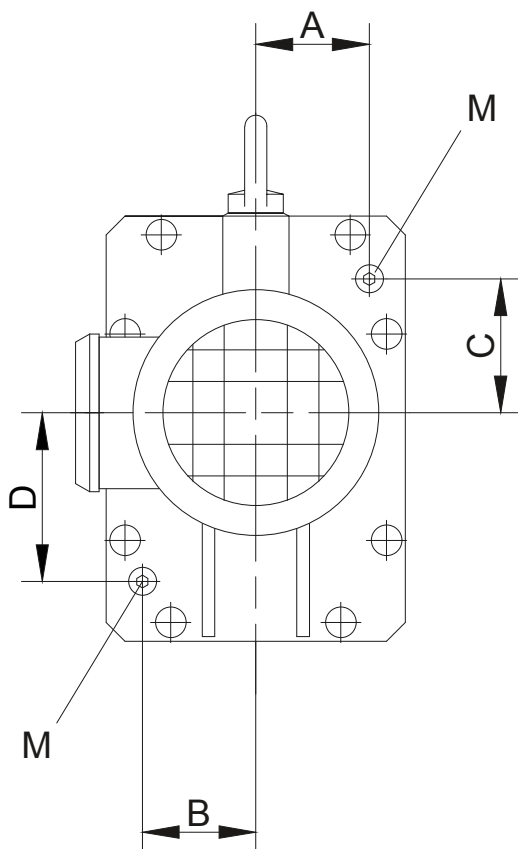
Table I: Design with Standard Geared Motor

Gear	Size	A	B	C	D	M
BG10(Z); BK10(Z); BF10(Z);BS10(Z)	D05-D..09	36	34	43.5	59	M10x1
BG15	D05-D..09	36	34	43.5	59	M10x1
BG20(Z); BK20(Z); BF20(Z);BS20(Z)	D05-D..09	44	44	58	72.5	M10x1
BG30(Z); BK30(Z); BF30(Z);BS30(Z)	D05-D..09	56.5	40	58.2	75	M10x1
BG40(Z); BK40(Z); BF40(Z);BS40(Z)	D..08-D..11	66	71	71	94	M14x1.5
BG50(Z); BK50(Z); BF50(Z);	D..08-D..11	72	74	85	109	M14x1.5
BG60(Z); BK60(Z); BF60(Z);	D..13-D..16	78	74	82	109	M14x1.5
BG60(Z); BK60(Z); BF60(Z);	D..09-D..13	84	81	120	155	M20x1.5
BG70(Z); BK70(Z); BF70(Z);BF80(Z)	D..16	86	81	120	155	M20x1.5
BG70(Z); BK70(Z); BF70(Z);BF80(Z)	D..09-D..18	95	85	97	193	M20x1.5
BG80(Z); BK80(Z); BF90(Z);BG100(Z)	D..11-D..18	118	118	110	245	M20x1.5
BG90(Z); BK90(Z);	D..13-D..18	145	145	116	294	M24x1.5

M = Plug according to DIN 908
Dimensions in millimetres (mm)

Position of the drain plugs for BG, BK, BS and BF gear ranges and pre-stages.

Position of threaded plugs
 -in the System Cover Design with foreign motor or gear design with input shaft



5

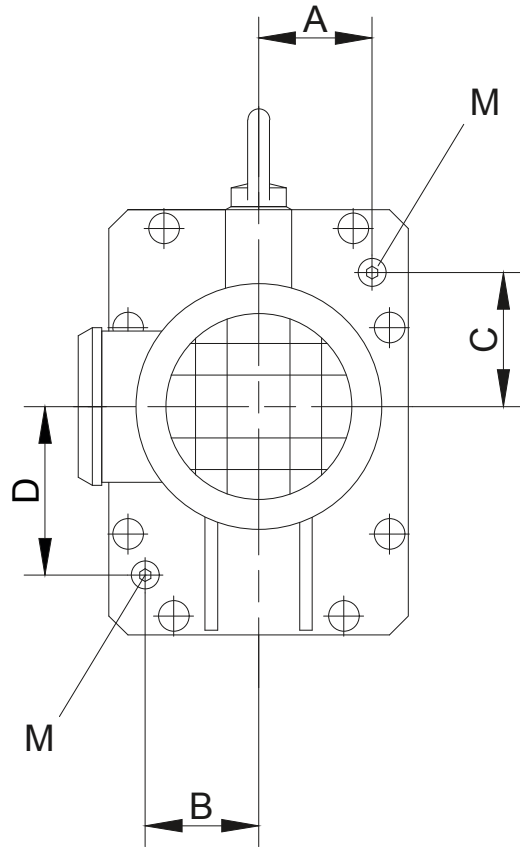
Table II: Design with foreign motor or gear design with input shaft

Gear	A	B	C	D	M
BG10(Z); BK10(Z); BF10(Z);BS10(Z)	1.34	1.34	1.59	2.24	M10x1
BG15	1.34	1.34	1.59	2.24	M10x1
BG20(Z); BK20(Z); BF20(Z);BS20(Z)	1.73	1.73	2.24	2.83	M10x1
BG30(Z); BK30(Z); BF30(Z);BS30(Z)	2.30	1.61	2.27	3.03	M10x1
BG40(Z); BK40(Z); BF40(Z);BS40(Z)	2.72	2.87	2.76	3.82	M14x1.5
BG50(Z); BK50(Z); BF50(Z);	2.95	2.95	3.23	4.33	M14x1.5
BG60(Z); BK60(Z); BF60(Z);	3.31	3.19	4.69	6.10	M20x1.5
BG70(Z); BK70(Z); BF70(Z);BF80(Z)	3.78	3.74	3.78	7.60	M20x1.5
BG80(Z); BK80(Z); BF90(Z);BG100(Z)	4.65	4.65	4.33	9.65	M20x1.5
BG90(Z); BK90(Z);	5.71	5.71	4.57	11.57	M24x1.5
M = Plug according to DIN 908 Dimensions in millimetres (mm)					

Position of the drain plugs for BG, BK, BS and BF gear ranges and pre-stages.

Threaded plugs

Position of threaded plugs
-in the System Cover Design with pre-stage Z



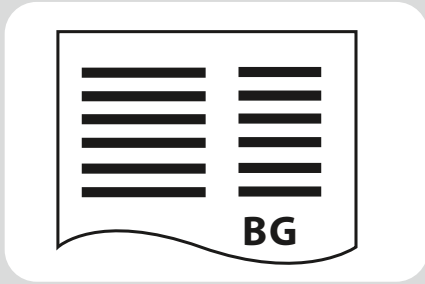
5

Table III: Design with pre-stage Z

Gear	A	B	C	D	M
B.10	38	39,5	44	61.5	M10x1
B.20	44	44	58	72	M10x1
B.30	59	42	58.2	77	M10x1
B.40	66	71	71	96	M14x1.5
B.50	72	73	85	111	M14x1.5
B.60	85	81	120	192	M20x1.5
B.70	95	95	97	193	M20x1.5
B.80	118	118	110	245	M20x1.5
B.90	139	139	124	302	M24x1.5

M = Plug according to DIN 908
Dimensions in millimetres (mm)

Position of the drain plugs for BG, BK, BS and BF gear ranges and pre-stages.



BG-series helical-geared motors - Selection

Description of helical-geared units	83
Sizes	83
Bauer service factors (f_B) for helical- geared motors	83
Continuous operation without switchingfrequency $Z \leq 1/h$	83
Switching duty	83
Bauer service factor	83
Explanation of shock classification	84
Key to abbreviations	84
Selection tables, helical-geared motors	84
Selection helical-geared motors	85

Sizes

Bauer BG-series helical-gear motors are available in 13 standard sizes with torques from 20 Nm to 18,500 Nm. Higher torques are available on request. The geared unit is accommodated in a sturdy cast housing.

Bauer service factors (f_B) for helical-gear motors

Of the numerous factors influencing the total loading of a geared unit, the most important include:

- Mean torque (rated torque)
- Daily operating hours
- Severity of torque peaks (shock classification)
- Frequency of torque peaks (switching duty)

These factors can be represented in a simplified and practical manner by *service factors*. The tables and explanations below aim to provide an objective description of the *shock classification*, rather than a classification of the driven machinery. Experience has shown that, in addition to the torque shocks caused by the driven machinery (M_x/M_N), above all the power transmission components (clutches, chains etc.) plus the mass ratios play a decisive role in this.

See Bauer special imprint SD32 for more information (available on request).

Continuous operation without switching frequency $Z \leq 1/h$

Factor f_1 for shock classification and operating time

Shock classification	Operating hours per day t_d	>4 h	>8 h	>16 h
		≤ 8 h	≤ 16 h	≤ 24 h
I		0.8	1.0	1.2
II		1.05	1.25	1.45
III		1.45	1.55	1.7

Switching duty

Factor f_2 for shock classification and switching frequency

Switching frequency in single-shift operation $t_d \leq 8$ h/d

Shock classification	$1 < Z \leq 100$	$100 < Z \leq 1000$	$1000 < Z$
I	0.95	1.1	1.15
II	1.2	1.35	1.4
III	1.55	1.6	1.6

Switching frequency in multiple-shift operation $t_d > 8$ h/d

Shock classification	$1 < Z \leq 100$	$100 < Z \leq 1000$	$1000 < Z$
I	1.3	1.45	1.5
II	1.5	1.6	1.65
III	1.75	1.8	1.8

Bauer service factor

Bauer service factor $f_B = f_1$ or $f_B = f_2$

For example: Shock classification II for $Z = 100$ switching operations per hour and multiple-shift operation yields a service factor $f_B = f_2 = 1.5$

BG-series helical-geared motors

Description of helical-geared units

Explanation of shock classification

Shock classification I:

Uniform without shock loads. All the following requirements must be satisfied:

- $FI \leq 1.3$
- $M_x/M_N \leq 1.0$
- Shock-absorbing power transmission components (e.g. highly resilient, zero-play coupling, $\varphi_N \geq 5^\circ$)

Shock classification II:

Moderate shock loads. At least one of the following conditions applies:

- $1.3 < FI \leq 4$
- $1 < M_x/M_N \leq 1.6$
- Shock-neutral power transmission components (e.g. gear wheels, zero-play rigid coupling or resilient coupling with $\varphi_N < 5^\circ$)

Shock classification III:

Heavy shock loads. At least one of the following conditions applies:

- $FI > 4$
- $1.6 < M_x/M_N \leq 2.0$
- Shock-amplifying power transmission components (e.g. coupling with play or chain drive)

6

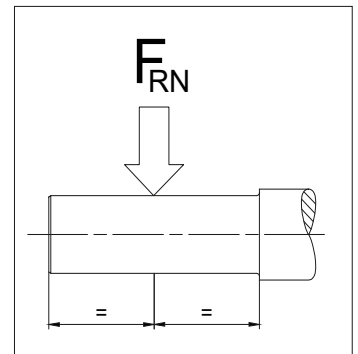
Key to abbreviations

Z	Switching duty number of switching operations per hour
t_d	Daily operating time in hours (h/d)
FI	Factor of inertia $FI = (J_{ext} + J_{rot})/J_{rot}$
J_{ext}	Mass moment of inertia of the machine to be driven, in relation to the motor's rotor shaft (kgm^2)
J_{rot}	Mass moment of inertia of the motor rotor (kgm^2)
M_x	Highest impact torque above the static torque which can occur during normal operation or in emergency situations
M_N	Required static load torque for the application
M_x/M_N	Relative torque - Factor
φ_N	Torsional offset of the resilient coupling under rated torque

Selection tables, helical-geared motors

Key to abbreviations

P	Rated output Power
n_2	Rated speed of the output shaft
i	Gear reduction ratio
M_2	Rated torque at the output shaft
f_B	Bauer service factor
F_{RN}	Maximum permissible radial force with a standard solid shaft (Code -.1 and -.7)
F_{RV}	Maximum permissible radial force with reinforced bearings in each case with standard solid shaft (Code -.1 and -.7)

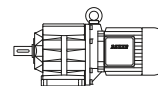


Use the selection tables to determine the size of geared motor required. The codes clearly define the Typ of gear (see chapter 10 "dimensional drawings, helical-geared motors").

Motor power overload protection

Motor-power ratings, particularly in conjunction with four-stage and multi-stage gear units, are more than ample in some instances. Consequently, and in much the same way as with low-power motors, rated current is not a measure of gear loading and cannot be used to protect the gear unit against overloading. It is advisable to provide gears at risk from excessive load or blockage with a protective mechanism (e. g., slip clutch, slip hub, shear pin or an alternative).

0.03 kW



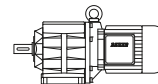
P _N [kW]	50 Hz			i [:1]	Type	m [kg]	F _{RN} [N]	F _{RV} [N]
	n ₂ [1/min]	M ₂ [Nm]	f _B [-]					
0.03	540	0.53	7.5	2.51	BG04-../D04LA4	4.4	340	-
0.03	370	0.77	6.5	3.65	BG04-../D04LA4	4.4	390	-
0.03	310	0.92	7.6	4.39	BG04-../D04LA4	4.4	380	-
0.03	255	1.12	8.0	5.36	BG04-../D04LA4	4.4	380	-
0.03	220	1.3	8.5	6.18	BG04-../D04LA4	4.4	415	-
0.03	205	1.39	7.2	6.67	BG04-../D04LA4	4.4	410	-
0.03	199	1.43	7.7	6.80	BG04-../D04LA4	4.4	420	-
0.03	158	1.81	6.1	8.58	BG04-../D04LA4	4.4	410	-
0.03	150	1.91	6.3	9.00	BG04-../D04LA4	4.4	470	-
0.03	137	2.05	6.3	9.90	BG04-../D04LA4	4.4	480	-
0.03	125	2.25	6.2	10.82	BG04-../D04LA4	4.4	480	-
0.03	114	2.5	6.0	11.90	BG04-../D04LA4	4.4	490	-
0.03	108	2.65	5.7	12.55	BG04-../D04LA4	4.4	490	-
0.03	103	2.75	5.8	13.20	BG04-../D04LA4	4.4	500	-
0.03	93	3.05	5.6	14.52	BG04-../D04LA4	4.4	510	-
0.03	83	3.45	5.2	16.44	BG04-../D04LA4	4.4	530	-
0.03	75	3.8	4.7	18.08	BG04-../D04LA4	4.4	540	-
0.03	64	4.45	4.3	21.12	BG04-../D04LA4	4.4	560	-
0.03	59	4.85	4.1	23.23	BG04-../D04LA4	4.4	600	-
0.03	56	5.1	3.9	24.45	BG04-../D04LA4	4.4	610	-
0.03	51	5.6	3.6	26.89	BG04-../D04LA4	4.4	650	-
0.03	44	6.5	3.1	30.91	BG04-../D04LA4	4.4	690	-
0.03	40	7.1	2.8	34.00	BG04-../D04LA4	4.4	720	-
0.03	38.5	7.4	2.7	35.35	BG04-../D04LA4	4.4	730	-
0.03	35	8.1	2.5	38.89	BG04-../D04LA4	4.4	750	-
0.03	32	8.9	2.2	42.24	BG04-../D04LA4	4.4	750	-
0.03	29.5	9.7	2.1	46.47	BG04-../D04LA4	4.4	750	-
0.03	28.5	10	2.0	47.52	BG04-../D04LA4	4.4	750	-
0.03	26	11	1.8	52.28	BG04-../D04LA4	4.4	750	-
0.03	25	11.4	1.75	54.97	BG04-../D04LA4	4.4	750	-
0.03	22.5	12.7	1.55	60.47	BG04-../D04LA4	4.4	750	-
0.03	31	9.2	3.3	43.57	BG05-../D04LA4	5.1	900	-
0.03	29	9.8	3.1	47.00	BG05-../D04LA4	5.1	930	-
0.03	26.5	10.8	2.8	51.27	BG05-../D04LA4	5.1	970	-
0.03	25.5	11.2	2.7	53.44	BG05-../D04LA4	5.1	980	-
0.03	23.5	12.1	2.5	58.30	BG05-../D04LA4	5.1	1000	-
0.03	18	13.8	2.9	75.99	BG06G04-../D04LA4	8.4	1070	-
0.03	16.5	15	2.9	82.89	BG06G04-../D04LA4	8.4	1070	-
0.03	15	16.5	2.7	93.00	BG06G04-../D04LA4	8.4	1070	-
0.03	13.5	18.4	2.4	101.5	BG06G04-../D04LA4	8.4	1070	-
0.03	11.5	21	2.1	122.0	BG06G04-../D04LA4	8.4	1070	-
0.03	9.1	26	1.75	149.0	BG06G04-../D04LA4	8.4	1070	-
0.03	7.3	33.5	1.35	185.4	BG06G04-../D04LA4	8.4	1070	-
0.03	5.4	46	0.98	250.2	BG06G04-../D04LA4	8.4	1070	-
0.03	5.0	50	0.9	275.2	BG06G04-../D04LA4	8.4	1070	-
0.03	4.1	45*	1.0	330.8	BG06G04-../D04LA4	8.4	1070	-
0.03	3.7	45*	1.0	367.0	BG06G04-../D04LA4	8.4	1070	-
0.03	3.0	45*	1.0	457.0	BG06G04-../D04LA4	8.4	1070	-
0.03	2.7	45*	1.0	502.6	BG06G04-../D04LA4	8.4	1070	-
0.03	2.3	45*	1.0	587.1	BG06G04-../D04LA4	8.4	1070	-
0.03	2.1	45*	1.0	645.8	BG06G04-../D04LA4	8.4	1070	-
0.03	1.9	45*	1.0	747.5	BG06G04-../D04LA4	8.4	1070	-
0.03	1.6	45*	1.0	859.3	BG06G04-../D04LA4	8.4	1070	-
0.03	1.5	45*	1.0	945.2	BG06G04-../D04LA4	8.4	1070	-
0.03	1.3	45*	1.0	1081	BG06G04-../D04LA4	8.4	1070	-
0.03	1.2	45*	1.0	1174	BG06G04-../D04LA4	8.4	1070	-
0.03	1.1	45*	1.0	1321	BG06G04-../D04LA4	8.4	1070	-
0.03	0.9	45*	1.0	1528	BG06G04-../D04LA4	8.4	1070	-
0.03	0.85	45*	1.0	1681	BG06G04-../D04LA4	8.4	1070	-
0.03	0.7	45*	1.0	1948	BG06G04-../D04LA4	8.4	1070	-
0.03	0.65	45*	1.0	2126	BG06G04-../D04LA4	8.4	1070	-
0.03	0.6	45*	1.0	2435	BG06G04-../D04LA4	8.4	1070	-
0.03	20.5	13.9	3.2	66.79	BG06-../D04LA4	6.1	1070	-
0.03	7.4	38.5	3.1	184.0	BG10Z-../D04LA4	11	2000	2800
0.03	7.0	40.5	3.0	194.6	BG10Z-../D04LA4	11	2000	2800
0.03	6.3	45	2.7	215.7	BG10Z-../D04LA4	11	2000	2800

The torques marked (*) are maximum permissible torques for service factor f_B=1.0.

BG-series helical-geared motors

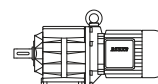
Selection helical-geared motors

0.03 kW



P _N [kW]	n ₂ [1/min]	50 Hz		i [:1]	Type	m [kg]	F _{RN} [N]	F _{RV} [N]
		M ₂ [Nm]	f _B [—]					
0.03	5.7	50	2.4	240.4	BG10Z-../D04LA4	11	2000	2800
0.03	5.1	56	2.1	266.3	BG10Z-../D04LA4	11	2000	2800
0.03	4.9	58	2.1	276.0	BG10Z-../D04LA4	11	2000	2800
0.03	4.5	63	1.9	305.8	BG10Z-../D04LA4	11	2000	2800
0.03	3.6	49	2.7	379.6	BG10G06-../D04LA4	14	2000	2800
0.03	3.1	57	2.3	435.9	BG10G06-../D04LA4	14	2000	2800
0.03	2.7	68	1.9	512.6	BG10G06-../D04LA4	14	2000	2800
0.03	2.3	83	1.55	613.6	BG10G06-../D04LA4	14	2000	2800
0.03	1.9	105	1.25	748.9	BG10G06-../D04LA4	14	2000	2800
0.03	1.6	130	1.0	899.5	BG10G06-../D04LA4	14	2000	2800
0.03	1.3	130*	1.0	1081	BG10G06-../D04LA4	14	2000	2800
0.03	1.1	130*	1.0	1272	BG10G06-../D04LA4	14	2000	2800
0.03	0.9	130*	1.0	1523	BG10G06-../D04LA4	14	2000	2800
0.03	0.75	130*	1.0	1863	BG10G06-../D04LA4	14	2000	2800
0.03	0.6	130*	1.0	2356	BG10G06-../D04LA4	14	2000	2800
0.03	0.55	130*	1.0	2699	BG10G06-../D04LA4	14	2000	2800
0.03	0.46	130*	1.0	2944	BG10G06-../D04LA4	14	2000	2800
0.03	0.4	130*	1.0	3378	BG10G06-../D04LA4	14	2000	2800
0.03	0.37	130*	1.0	3684	BG10G06-../D04LA4	14	2000	2800
0.03	0.31	130*	1.0	4477	BG10G06-../D04LA4	14	2000	2800
0.03	0.28	130*	1.0	4884	BG10G06-../D04LA4	14	2000	2800
0.03	2.5	77	2.9	550.6	BG20G06-../D04LA4	17	5000	2100
0.03	2.1	95	2.3	671.9	BG20G06-../D04LA4	17	5000	2100
0.03	1.7	125	1.75	807.1	BG20G06-../D04LA4	17	5000	2100
0.03	1.4	160	1.4	969.9	BG20G06-../D04LA4	17	5000	2100
0.03	1.2	188	1.15	1142	BG20G06-../D04LA4	17	5000	2100
0.03	1.0	230	0.96	1366	BG20G06-../D04LA4	17	5000	2100
0.03	0.85	220*	1.0	1672	BG20G06-../D04LA4	17	5000	2100
0.03	0.75	220*	1.0	1824	BG20G06-../D04LA4	17	5000	2100
0.03	0.65	220*	1.0	2114	BG20G06-../D04LA4	17	5000	2100
0.03	0.6	220*	1.0	2422	BG20G06-../D04LA4	17	5000	2100
0.03	0.55	220*	1.0	2642	BG20G06-../D04LA4	17	5000	2100
0.03	0.45	220*	1.0	3031	BG20G06-../D04LA4	17	5000	2100
0.03	0.41	220*	1.0	3306	BG20G06-../D04LA4	17	5000	2100
0.03	0.34	220*	1.0	4017	BG20G06-../D04LA4	17	5000	2100
0.03	0.31	220*	1.0	4383	BG20G06-../D04LA4	17	5000	2100
0.03	2.0	101	3.2	690.6	BG30G06-../D04LA4	21	6000	-
0.03	1.8	116	2.8	760.7	BG30G06-../D04LA4	21	6000	-
0.03	1.7	124	2.6	829.5	BG30G06-../D04LA4	21	6000	-
0.03	1.4	158	2.1	996.8	BG30G06-../D04LA4	21	6000	-
0.03	1.3	173	1.9	1088	BG30G06-../D04LA4	21	6000	-
0.03	1.1	205	1.6	1280	BG30G06-../D04LA4	21	6000	-
0.03	1.0	230	1.4	1404	BG30G06-../D04LA4	21	6000	-
0.03	0.8	295	1.1	1718	BG30G06-../D04LA4	21	6000	-
0.03	0.75	320	1.0	1875	BG30G06-../D04LA4	21	6000	-
0.03	0.65	325*	1.0	2173	BG30G06-../D04LA4	21	6000	-
0.03	0.5	325*	1.0	2715	BG30G06-../D04LA4	21	6000	-
0.03	0.44	325*	1.0	3115	BG30G06-../D04LA4	21	6000	-
0.03	0.4	325*	1.0	3398	BG30G06-../D04LA4	21	6000	-
0.03	0.35	325*	1.0	3867	BG30G06-../D04LA4	21	6000	-
0.03	0.3	325*	1.0	4504	BG30G06-../D04LA4	21	6000	-

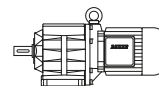
0.04 kW



P _N [kW]	n ₂ [1/min]	50 Hz		i [:1]	Type	m [kg]	F _{RN} [N]	F _{RV} [N]
		M ₂ [Nm]	f _B [—]					
0.04	540	0.7	5.7	2.51	BG04-../D04LA4	4.4	340	-
0.04	370	1.03	4.9	3.65	BG04-../D04LA4	4.4	390	-
0.04	310	1.23	5.7	4.39	BG04-../D04LA4	4.4	380	-
0.04	255	1.49	6.0	5.36	BG04-../D04LA4	4.4	380	-
0.04	220	1.73	6.4	6.18	BG04-../D04LA4	4.4	415	-
0.04	205	1.86	5.4	6.67	BG04-../D04LA4	4.4	410	-
0.04	199	1.91	5.8	6.80	BG04-../D04LA4	4.4	420	-

The torques marked (*) are maximum permissible torques for service factor f_B=1.0.

0.04 kW



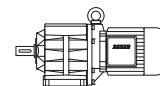
P _N [kW]	n ₂ [1/min]	50 Hz		i [:1]	Type	m [kg]	F _{RN} [N]	F _{RV} [N]
		M ₂ [Nm]	f _B [-]					
0.04	158	2.4	4.6	8.58	BG04-../D04LA4	4.4	410	-
0.04	150	2.5	4.8	9.00	BG04-../D04LA4	4.4	470	-
0.04	137	2.75	4.7	9.90	BG04-../D04LA4	4.4	480	-
0.04	125	3.05	4.6	10.82	BG04-../D04LA4	4.4	480	-
0.04	114	3.35	4.5	11.90	BG04-../D04LA4	4.4	490	-
0.04	108	3.5	4.3	12.55	BG04-../D04LA4	4.4	490	-
0.04	103	3.7	4.3	13.20	BG04-../D04LA4	4.4	500	-
0.04	93	4.1	4.1	14.52	BG04-../D04LA4	4.4	510	-
0.04	83	4.6	3.9	16.44	BG04-../D04LA4	4.4	530	-
0.04	75	5.0	3.6	18.08	BG04-../D04LA4	4.4	540	-
0.04	64	5.9	3.2	21.12	BG04-../D04LA4	4.4	560	-
0.04	59	6.4	3.1	23.23	BG04-../D04LA4	4.4	600	-
0.04	56	6.8	2.9	24.45	BG04-../D04LA4	4.4	610	-
0.04	51	7.4	2.7	26.89	BG04-../D04LA4	4.4	650	-
0.04	44	8.6	2.3	30.91	BG04-../D04LA4	4.4	690	-
0.04	40	9.5	2.1	34.00	BG04-../D04LA4	4.4	720	-
0.04	38.5	9.9	2.0	35.35	BG04-../D04LA4	4.4	730	-
0.04	35	10.9	1.85	38.89	BG04-../D04LA4	4.4	750	-
0.04	32	11.9	1.7	42.24	BG04-../D04LA4	4.4	750	-
0.04	29.5	12.9	1.55	46.47	BG04-../D04LA4	4.4	750	-
0.04	28.5	13.4	1.5	47.52	BG04-../D04LA4	4.4	750	-
0.04	26	14.6	1.35	52.28	BG04-../D04LA4	4.4	750	-
0.04	25	15.2	1.3	54.97	BG04-../D04LA4	4.4	750	-
0.04	22.5	16.9	1.2	60.47	BG04-../D04LA4	4.4	750	-
0.04	39	9.7	3.1	35.00	BG05-../D04LA4	5.1	810	-
0.04	35.5	10.7	2.8	38.18	BG05-../D04LA4	5.1	850	-
0.04	34	11.2	2.7	39.94	BG05-../D04LA4	5.1	860	-
0.04	31	12.3	2.4	43.57	BG05-../D04LA4	5.1	900	-
0.04	29	13.1	2.3	47.00	BG05-../D04LA4	5.1	930	-
0.04	26.5	14.4	2.1	51.27	BG05-../D04LA4	5.1	970	-
0.04	25.5	14.9	2.0	53.44	BG05-../D04LA4	5.1	980	-
0.04	23.5	16.2	1.85	58.30	BG05-../D04LA4	5.1	1000	-
0.04	18	19.1	2.1	75.99	BG06G04-../D04LA4	8.4	1070	-
0.04	16.5	20.5	2.1	82.89	BG06G04-../D04LA4	8.4	1070	-
0.04	15	22.5	2.0	93.00	BG06G04-../D04LA4	8.4	1070	-
0.04	13.5	25.5	1.75	101.5	BG06G04-../D04LA4	8.4	1070	-
0.04	11.5	29	1.55	122.0	BG06G04-../D04LA4	8.4	1070	-
0.04	9.1	36.5	1.25	149.0	BG06G04-../D04LA4	8.4	1070	-
0.04	7.3	46.5	0.97	185.4	BG06G04-../D04LA4	8.4	1070	-
0.04	27	14.1	3.2	50.38	BG06-../D04LA4	6.1	940	-
0.04	26	14.6	3.1	52.56	BG06-../D04LA4	6.1	950	-
0.04	24	15.9	2.8	57.34	BG06-../D04LA4	6.1	1000	-
0.04	22.5	16.9	2.7	61.22	BG06-../D04LA4	6.1	1020	-
0.04	20.5	18.6	2.4	66.79	BG06-../D04LA4	6.1	1070	-
0.04	10.5	36	3.3	131.8	BG10Z-../D04LA4	11	2000	2800
0.04	9.3	41	2.9	146.0	BG10Z-../D04LA4	11	2000	2800
0.04	8.2	46.5	2.6	166.0	BG10Z-../D04LA4	11	2000	2800
0.04	7.4	51	2.4	184.0	BG10Z-../D04LA4	11	2000	2800
0.04	7.0	54	2.2	194.6	BG10Z-../D04LA4	11	2000	2800
0.04	6.3	60	2.0	215.7	BG10Z-../D04LA4	11	2000	2800
0.04	5.7	67	1.8	240.4	BG10Z-../D04LA4	11	2000	2800
0.04	5.1	74	1.6	266.3	BG10Z-../D04LA4	11	2000	2800
0.04	4.9	77	1.55	276.0	BG10Z-../D04LA4	11	2000	2800
0.04	4.5	84	1.45	305.8	BG10Z-../D04LA4	11	2000	2800
0.04	4.1	60	2.2	332.0	BG10G06-../D04LA4	14	2000	2800
0.04	3.6	75	1.75	379.6	BG10G06-../D04LA4	14	2000	2800
0.04	3.1	88	1.5	435.9	BG10G06-../D04LA4	14	2000	2800
0.04	2.7	103	1.25	512.6	BG10G06-../D04LA4	14	2000	2800
0.04	2.3	125	1.05	613.6	BG10G06-../D04LA4	14	2000	2800
0.04	1.9	155	0.84	748.9	BG10G06-../D04LA4	14	2000	2800
0.04	6.1	62	3.2	222.1	BG20Z-../D04LA4	13	5000	-
0.04	3.9	69	3.2	352.1	BG20G06-../D04LA4	17	5000	2100
0.04	3.5	77	2.9	391.1	BG20G06-../D04LA4	17	5000	2100
0.04	3.0	93	2.4	460.0	BG20G06-../D04LA4	17	5000	2100
0.04	2.5	116	1.9	550.6	BG20G06-../D04LA4	17	5000	2100

The torques marked (*) are maximum permissible torques for service factor f_B=1.0.

BG-series helical-geared motors

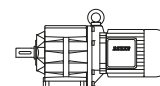
Selection helical-geared motors

0.04 kW								
P _N	50 Hz			i	Type	m	F _{RN}	F _{RV}
	n ₂	M ₂	f _B					
[kW]	[1/min]	[Nm]	[-]	[:1]		[kg]	[N]	[N]
0.04	2.1	141	1.55	671.9	BG20G06-../D04LA4	17	5000	2100
0.04	1.7	181	1.2	807.1	BG20G06-../D04LA4	17	5000	2100
0.04	1.4	225	0.98	969.9	BG20G06-../D04LA4	17	5000	2100
0.04	1.2	265	0.83	1142	BG20G06-../D04LA4	17	5000	2100
0.04	2.4	121	2.7	565.8	BG30G06-../D04LA4	21	6000	-
0.04	2.0	149	2.2	690.6	BG30G06-../D04LA4	21	6000	-
0.04	1.8	169	1.9	760.7	BG30G06-../D04LA4	21	6000	-
0.04	1.7	180	1.8	829.5	BG30G06-../D04LA4	21	6000	-
0.04	1.4	225	1.45	996.8	BG30G06-../D04LA4	21	6000	-
0.04	1.3	245	1.35	1088	BG30G06-../D04LA4	21	6000	-
0.04	1.1	290	1.1	1280	BG30G06-../D04LA4	21	6000	-
0.04	1.0	325	1.0	1404	BG30G06-../D04LA4	21	6000	-



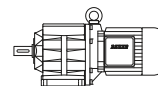
6

0.06 kW								
P _N	50 Hz			i	Type	m	F _{RN}	F _{RV}
	n ₂	M ₂	f _B					
[kW]	[1/min]	[Nm]	[-]	[:1]		[kg]	[N]	[N]
0.06	540	1.06	3.8	2.51	BG04-../D04LA4	4.4	340	-
0.06	370	1.54	3.2	3.65	BG04-../D04LA4	4.4	390	-
0.06	310	1.84	3.8	4.39	BG04-../D04LA4	4.4	380	-
0.06	255	2.2	4.1	5.36	BG04-../D04LA4	4.4	380	-
0.06	220	2.6	4.2	6.18	BG04-../D04LA4	4.4	415	-
0.06	205	2.75	3.6	6.67	BG04-../D04LA4	4.4	410	-
0.06	199	2.85	3.9	6.80	BG04-../D04LA4	4.4	420	-
0.06	158	3.6	3.1	8.58	BG04-../D04LA4	4.4	410	-
0.06	150	3.8	3.2	9.00	BG04-../D04LA4	4.4	470	-
0.06	137	4.15	3.1	9.90	BG04-../D04LA4	4.4	480	-
0.06	125	4.55	3.1	10.82	BG04-../D04LA4	4.4	480	-
0.06	114	5.0	3.0	11.90	BG04-../D04LA4	4.4	490	-
0.06	108	5.3	2.8	12.55	BG04-../D04LA4	4.4	490	-
0.06	103	5.5	2.9	13.20	BG04-../D04LA4	4.4	500	-
0.06	93	6.1	2.8	14.52	BG04-../D04LA4	4.4	510	-
0.06	83	6.9	2.6	16.44	BG04-../D04LA4	4.4	530	-
0.06	75	7.6	2.4	18.08	BG04-../D04LA4	4.4	540	-
0.06	64	8.9	2.1	21.12	BG04-../D04LA4	4.4	560	-
0.06	59	9.7	2.1	23.23	BG04-../D04LA4	4.4	600	-
0.06	56	10.2	1.95	24.45	BG04-../D04LA4	4.4	610	-
0.06	51	11.2	1.8	26.89	BG04-../D04LA4	4.4	650	-
0.06	44	13	1.55	30.91	BG04-../D04LA4	4.4	690	-
0.06	40	14.3	1.4	34.00	BG04-../D04LA4	4.4	720	-
0.06	38.5	14.8	1.35	35.35	BG04-../D04LA4	4.4	730	-
0.06	35	16.3	1.25	38.89	BG04-../D04LA4	4.4	750	-
0.06	32	17.9	1.1	42.24	BG04-../D04LA4	4.4	750	-
0.06	29.5	19.4	1.05	46.47	BG04-../D04LA4	4.4	750	-
0.06	28.5	20	1.0	47.52	BG04-../D04LA4	4.4	750	-
0.06	26	22	0.91	52.28	BG04-../D04LA4	4.4	750	-
0.06	25	22.5	0.89	54.97	BG04-../D04LA4	4.4	750	-
0.06	22.5	25	0.8	60.47	BG04-../D04LA4	4.4	750	-
0.06	72	7.9	3.3	18.82	BG05-../D04LA4	5.1	680	-
0.06	66	8.6	3.1	20.53	BG05-../D04LA4	5.1	700	-
0.06	57	10	2.8	24.00	BG05-../D04LA4	5.1	740	-
0.06	52	11	2.6	26.18	BG05-../D04LA4	5.1	760	-
0.06	49	11.6	2.6	27.82	BG05-../D04LA4	5.1	770	-
0.06	44.5	12.8	2.3	30.35	BG05-../D04LA4	5.1	760	-
0.06	39	14.6	2.1	35.00	BG05-../D04LA4	5.1	810	-
0.06	35.5	16.1	1.85	38.18	BG05-../D04LA4	5.1	850	-
0.06	34	16.8	1.8	39.94	BG05-../D04LA4	5.1	860	-
0.06	31	18.4	1.65	43.57	BG05-../D04LA4	5.1	900	-
0.06	29	19.7	1.5	47.00	BG05-../D04LA4	5.1	930	-
0.06	26.5	21.5	1.4	51.27	BG05-../D04LA4	5.1	970	-
0.06	25.5	22	1.35	53.44	BG05-../D04LA4	5.1	980	-
0.06	23.5	24	1.25	58.30	BG05-../D04LA4	5.1	1000	-



The torques marked (*) are maximum permissible torques for service factor f_B=1.0.

0.06 kW



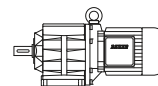
P _N [kW]	n ₂ [1/min]	50 Hz		i [:1]	Type	m [kg]	F _{RN} [N]	F _{RV} [N]
		M ₂ [Nm]	f _B [—]					
0.06	18	29.5	1.35	75.99	BG06G04-../D04LA4	8.4	1070	-
0.06	16.5	32	1.35	82.89	BG06G04-../D04LA4	8.4	1070	-
0.06	15	35.5	1.25	93.00	BG06G04-../D04LA4	8.4	1070	-
0.06	13.5	39.5	1.15	101.5	BG06G04-../D04LA4	8.4	1070	-
0.06	11.5	45.5	0.99	122.0	BG06G04-../D04LA4	8.4	1070	-
0.06	42	13.6	3.3	32.22	BG06-../D04LA4	6.1	890	-
0.06	38.5	14.8	3.0	35.15	BG06-../D04LA4	6.1	880	-
0.06	37	15.4	2.9	36.91	BG06-../D04LA4	6.1	890	-
0.06	34	16.8	2.7	40.26	BG06-../D04LA4	6.1	890	-
0.06	29.5	19.4	2.3	46.19	BG06-../D04LA4	6.1	890	-
0.06	27	21	2.1	50.38	BG06-../D04LA4	6.1	940	-
0.06	26	22	2.0	52.56	BG06-../D04LA4	6.1	950	-
0.06	24	23.5	1.9	57.34	BG06-../D04LA4	6.1	1000	-
0.06	22.5	25	1.8	61.22	BG06-../D04LA4	6.1	1020	-
0.06	20.5	27.5	1.65	66.79	BG06-../D04LA4	6.1	1070	-
0.06	15	38	3.2	92.19	BG10Z-../D06LA4	14	2000	2800
0.06	13.5	42	2.9	102.1	BG10Z-../D06LA4	14	2000	2800
0.06	12.5	45.5	2.6	109.8	BG10Z-../D06LA4	14	2000	2800
0.06	11.5	49.5	2.4	121.7	BG10Z-../D06LA4	14	2000	2800
0.06	10.5	54	2.2	131.8	BG10Z-../D06LA4	14	2000	2800
0.06	9.3	61	1.95	146.0	BG10Z-../D06LA4	14	2000	2800
0.06	8.2	69	1.75	166.0	BG10Z-../D06LA4	14	2000	2800
0.06	7.4	77	1.55	184.0	BG10Z-../D06LA4	14	2000	2800
0.06	7.0	81	1.5	194.6	BG10Z-../D06LA4	14	2000	2800
0.06	6.3	90	1.35	215.7	BG10Z-../D06LA4	14	2000	2800
0.06	5.7	100	1.2	240.4	BG10Z-../D06LA4	14	2000	2800
0.06	5.1	112	1.05	266.3	BG10Z-../D06LA4	14	2000	2800
0.06	4.9	116	1.05	276.0	BG10Z-../D06LA4	14	2000	2800
0.06	4.5	127	0.94	305.8	BG10Z-../D06LA4	14	2000	2800
0.06	4.1	107	1.2	332.0	BG10G06-../D06LA4	18	2000	2800
0.06	3.6	128	1.0	379.6	BG10G06-../D06LA4	18	2000	2800
0.06	3.1	149	0.87	435.9	BG10G06-../D06LA4	18	2000	2800
0.06	8.4	68	2.9	162.2	BG20Z-../D06LA4	16	5000	-
0.06	7.5	76	2.6	180.1	BG20Z-../D06LA4	16	5000	-
0.06	6.8	84	2.4	199.9	BG20Z-../D06LA4	16	5000	-
0.06	6.1	93	2.2	222.1	BG20Z-../D06LA4	16	5000	-
0.06	5.5	77	2.9	248.0	BG20G06-../D06LA4	20	5000	2100
0.06	4.6	95	2.3	297.9	BG20G06-../D06LA4	20	5000	2100
0.06	3.9	118	1.85	352.1	BG20G06-../D06LA4	20	5000	2100
0.06	3.5	132	1.65	391.1	BG20G06-../D06LA4	20	5000	2100
0.06	3.0	156	1.4	460.0	BG20G06-../D06LA4	20	5000	2100
0.06	2.5	192	1.15	550.6	BG20G06-../D06LA4	20	5000	2100
0.06	2.1	230	0.96	671.9	BG20G06-../D06LA4	20	5000	2100
0.06	6.0	95	3.2	225.9	BG30Z-../D06LA4	22	6000	-
0.06	5.2	110	2.7	261.9	BG30Z-../D06LA4	22	6000	-
0.06	4.7	121	2.5	290.5	BG30Z-../D06LA4	22	6000	-
0.06	3.9	118	2.8	346.8	BG30G06-../D06LA4	25	6000	-
0.06	3.4	136	2.4	401.9	BG30G06-../D06LA4	25	6000	-
0.06	2.9	162	2.0	472.8	BG30G06-../D06LA4	25	6000	-
0.06	2.4	200	1.65	565.8	BG30G06-../D06LA4	25	6000	-
0.06	2.0	240	1.35	690.6	BG30G06-../D06LA4	25	6000	-
0.06	1.8	275	1.2	760.7	BG30G06-../D06LA4	25	6000	-
0.06	1.7	290	1.1	829.5	BG30G06-../D06LA4	25	6000	-
0.06	1.4	360	0.9	996.8	BG30G06-../D06LA4	25	6000	-
0.06	1.3	390	0.83	1088	BG30G06-../D06LA4	25	6000	-
0.06	2.2	147	3.2	640.0	BG40G10-../D06LA4	43	7000	-
0.06	1.9	176	2.6	710.9	BG40G10-../D06LA4	43	7000	-
0.06	1.8	179	2.6	789.1	BG40G10-../D06LA4	43	7000	-
0.06	1.4	255	1.8	965.2	BG40G10-../D06LA4	43	7000	-
0.06	1.2	315	1.5	1225	BG40G10-../D06LA4	43	7000	-
0.06	0.95	440	1.05	1459	BG40G10-../D06LA4	43	7000	-
0.06	1.5	230	3.0	960.2	BG50G10-../D06LA4	51	10000	-
0.06	1.2	315	2.2	1219	BG50G10-../D06LA4	51	10000	-
0.06	0.95	445	1.55	1452	BG50G10-../D06LA4	51	10000	-

The torques marked (*) are maximum permissible torques for service factor f_B=1.0.

BG-series helical-geared motors

Selection helical-geared motors

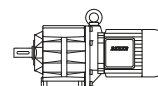
0.06 kW



P _N [kW]	n ₂ [1/min]	50 Hz		i [:1]	Type	m [kg]	F _{RN} [N]	F _{RV} [N]
		M ₂ [Nm]	f _B [—]					
0.06	0.8	550	1.25	1729	BG50G10-../D06LA4	51	10000	-
0.06	0.7	660	1.05	2076	BG50G10-../D06LA4	51	10000	-
0.06	0.8	445	2.9	1741	BG60G20-../D06LA4	100	16000	-
0.06	0.75	490	2.7	1880	BG60G20-../D06LA4	100	16000	-
0.06	0.65	610	2.1	2249	BG60G20-../D06LA4	100	16000	-
0.06	0.48	920	1.4	2818	BG60G20-../D06LA4	100	16000	-
0.06	0.42	1090	1.2	3234	BG60G20-../D06LA4	100	16000	-
0.06	0.38	1230	1.05	3592	BG60G20-../D06LA4	100	16000	-
0.06	0.49	930	2.7	2774	BG70G20-../D06LA4	130	20000	-
0.06	0.43	1090	2.3	3184	BG70G20-../D06LA4	130	20000	-
0.06	0.35	1390	1.8	3925	BG70G20-../D06LA4	130	20000	-

6

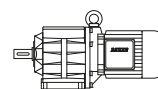
0.09 kW



P _N [kW]	n ₂ [1/min]	50 Hz		i [:1]	Type	m [kg]	F _{RN} [N]	F _{RV} [N]
		M ₂ [Nm]	f _B [—]					
0.09	540	1.59	2.5	2.51	BG04-../D04LA4	4.4	340	-
0.09	370	2.3	2.2	3.65	BG04-../D04LA4	4.4	390	-
0.09	310	2.75	2.5	4.39	BG04-../D04LA4	4.4	380	-
0.09	255	3.35	2.7	5.36	BG04-../D04LA4	4.4	380	-
0.09	220	3.9	2.8	6.18	BG04-../D04LA4	4.4	415	-
0.09	205	4.15	2.4	6.67	BG04-../D04LA4	4.4	410	-
0.09	199	4.3	2.6	6.80	BG04-../D04LA4	4.4	420	-
0.09	158	5.4	2.0	8.58	BG04-../D04LA4	4.4	410	-
0.09	150	5.7	2.1	9.00	BG04-../D04LA4	4.4	470	-
0.09	137	6.2	2.1	9.90	BG04-../D04LA4	4.4	480	-
0.09	125	6.8	2.1	10.82	BG04-../D04LA4	4.4	480	-
0.09	114	7.5	2.0	11.90	BG04-../D04LA4	4.4	490	-
0.09	108	7.9	1.9	12.55	BG04-../D04LA4	4.4	490	-
0.09	103	8.3	1.95	13.20	BG04-../D04LA4	4.4	500	-
0.09	93	9.2	1.85	14.52	BG04-../D04LA4	4.4	510	-
0.09	83	10.3	1.75	16.44	BG04-../D04LA4	4.4	530	-
0.09	75	11.4	1.6	18.08	BG04-../D04LA4	4.4	540	-
0.09	64	13.4	1.4	21.12	BG04-../D04LA4	4.4	560	-
0.09	59	14.5	1.4	23.23	BG04-../D04LA4	4.4	600	-
0.09	56	15.3	1.3	24.45	BG04-../D04LA4	4.4	610	-
0.09	51	16.8	1.2	26.89	BG04-../D04LA4	4.4	650	-
0.09	44	19.5	1.05	30.91	BG04-../D04LA4	4.4	690	-
0.09	40	21	0.95	34.00	BG04-../D04LA4	4.4	720	-
0.09	38.5	22	0.91	35.35	BG04-../D04LA4	4.4	730	-
0.09	35	24.5	0.82	38.89	BG04-../D04LA4	4.4	750	-
0.09	128	6.7	3.0	10.59	BG05-../D04LA4	5.1	590	-
0.09	117	7.3	2.9	11.55	BG05-../D04LA4	5.1	600	-
0.09	113	7.6	2.8	12.05	BG05-../D04LA4	5.1	510	-
0.09	108	7.9	2.8	12.60	BG05-../D04LA4	5.1	610	-
0.09	99	8.6	2.7	13.75	BG05-../D04LA4	5.1	630	-
0.09	89	9.6	2.5	15.23	BG05-../D04LA4	5.1	640	-
0.09	82	10.4	2.4	16.62	BG05-../D04LA4	5.1	660	-
0.09	72	11.9	2.2	18.82	BG05-../D04LA4	5.1	680	-
0.09	66	13	2.1	20.53	BG05-../D04LA4	5.1	700	-
0.09	57	15	1.85	24.00	BG05-../D04LA4	5.1	740	-
0.09	52	16.5	1.75	26.18	BG05-../D04LA4	5.1	760	-
0.09	49	17.5	1.7	27.82	BG05-../D04LA4	5.1	770	-
0.09	44.5	19.3	1.55	30.35	BG05-../D04LA4	5.1	760	-
0.09	39	22	1.35	35.00	BG05-../D04LA4	5.1	810	-
0.09	35.5	24	1.25	38.18	BG05-../D04LA4	5.1	850	-
0.09	34	25	1.2	39.94	BG05-../D04LA4	5.1	860	-
0.09	31	27.5	1.1	43.57	BG05-../D04LA4	5.1	900	-
0.09	29	29.5	1.0	47.00	BG05-../D04LA4	5.1	930	-
0.09	26.5	32	0.94	51.27	BG05-../D04LA4	5.1	970	-
0.09	25.5	33.5	0.9	53.44	BG05-../D04LA4	5.1	980	-
0.09	23.5	36.5	0.82	58.30	BG05-../D04LA4	5.1	1000	-

The torques marked (*) are maximum permissible torques for service factor f_B=1.0.

0.09 kW



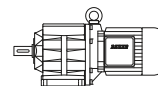
P _N [kW]	50 Hz			i [:1]	Type	m [kg]	F _{RN} [N]	F _{RV} [N]
	n ₂ [1/min]	M ₂ [Nm]	f _B [-]					
0.09	18	45.5	0.88	75.99	BG06G04-../D04LA4	8.4	1070	-
0.09	16.5	49.5	0.87	82.89	BG06G04-../D04LA4	8.4	1070	-
0.09	15	54	0.83	93.00	BG06G04-../D04LA4	8.4	1070	-
0.09	65	13.2	3.0	20.82	BG06-../D04LA4	6.1	800	-
0.09	60	14.3	3.0	22.71	BG06-../D04LA4	6.1	810	-
0.09	53	16.2	2.8	25.48	BG06-../D04LA4	6.1	850	-
0.09	49	17.5	2.6	27.80	BG06-../D04LA4	6.1	840	-
0.09	42	20	2.3	32.22	BG06-../D04LA4	6.1	890	-
0.09	38.5	22	2.0	35.15	BG06-../D04LA4	6.1	880	-
0.09	37	23	1.95	36.91	BG06-../D04LA4	6.1	890	-
0.09	34	25	1.8	40.26	BG06-../D04LA4	6.1	890	-
0.09	29.5	29	1.55	46.19	BG06-../D04LA4	6.1	890	-
0.09	27	31.5	1.45	50.38	BG06-../D04LA4	6.1	940	-
0.09	26	33	1.35	52.56	BG06-../D04LA4	6.1	950	-
0.09	24	35.5	1.25	57.34	BG06-../D04LA4	6.1	1000	-
0.09	22.5	38	1.2	61.22	BG06-../D04LA4	6.1	1020	-
0.09	20.5	41.5	1.1	66.79	BG06-../D04LA4	6.1	1070	-
0.09	23.5	36.5	3.3	57.48	BG10-../D06LA4	13	2000	2800
0.09	21.5	39.5	3.0	63.69	BG10-../D06LA4	13	2000	2800
0.09	20.5	41.5	2.9	66.00	BG10-../D06LA4	13	2000	2800
0.09	18.5	46	2.6	73.13	BG10-../D06LA4	13	2000	2800
0.09	17.5	49	2.4	77.40	BG10Z-../D06LA4	14	2000	2800
0.09	16	53	2.3	85.76	BG10Z-../D06LA4	14	2000	2800
0.09	15	57	2.1	92.19	BG10Z-../D06LA4	14	2000	2800
0.09	13.5	63	1.9	102.1	BG10Z-../D06LA4	14	2000	2800
0.09	12.5	68	1.75	109.8	BG10Z-../D06LA4	14	2000	2800
0.09	11.5	74	1.6	121.7	BG10Z-../D06LA4	14	2000	2800
0.09	10.5	81	1.5	131.8	BG10Z-../D06LA4	14	2000	2800
0.09	9.3	92	1.3	146.0	BG10Z-../D06LA4	14	2000	2800
0.09	8.2	104	1.15	166.0	BG10Z-../D06LA4	14	2000	2800
0.09	7.4	116	1.05	184.0	BG10Z-../D06LA4	14	2000	2800
0.09	7.0	122	0.98	194.6	BG10Z-../D06LA4	14	2000	2800
0.09	6.3	136	0.88	215.7	BG10Z-../D06LA4	14	2000	2800
0.09	5.7	150	0.8	240.4	BG10Z-../D06LA4	14	2000	2800
0.09	4.9	146	0.89	276.4	BG10G06-../D06LA4	18	2000	2800
0.09	13	66	3.0	104.7	BG20Z-../D06LA4	16	5000	-
0.09	12	71	2.8	112.8	BG20Z-../D06LA4	16	5000	-
0.09	11	78	2.6	125.3	BG20Z-../D06LA4	16	5000	-
0.09	9.6	89	2.2	141.3	BG20Z-../D06LA4	16	5000	-
0.09	8.4	102	1.95	162.2	BG20Z-../D06LA4	16	5000	-
0.09	7.5	114	1.75	180.1	BG20Z-../D06LA4	16	5000	-
0.09	6.8	126	1.6	199.9	BG20Z-../D06LA4	16	5000	-
0.09	6.1	140	1.45	222.1	BG20Z-../D06LA4	16	5000	-
0.09	5.5	130	1.7	248.0	BG20G06-../D06LA4	20	5000	2100
0.09	4.6	157	1.4	297.9	BG20G06-../D06LA4	20	5000	2100
0.09	3.9	192	1.15	352.1	BG20G06-../D06LA4	20	5000	2100
0.09	3.5	210	1.05	391.1	BG20G06-../D06LA4	20	5000	2100
0.09	3.0	250	0.88	460.0	BG20G06-../D06LA4	20	5000	2100
0.09	9.5	90	3.3	142.5	BG30Z-../D06LA4	22	6000	-
0.09	9.0	95	3.2	151.5	BG30Z-../D06LA4	22	6000	-
0.09	8.1	106	2.8	168.1	BG30Z-../D06LA4	22	6000	-
0.09	7.4	116	2.6	182.9	BG30Z-../D06LA4	22	6000	-
0.09	6.7	128	2.3	202.9	BG30Z-../D06LA4	22	6000	-
0.09	6.0	143	2.1	225.9	BG30Z-../D06LA4	22	6000	-
0.09	5.2	165	1.8	261.9	BG30Z-../D06LA4	22	6000	-
0.09	4.7	182	1.65	290.5	BG30Z-../D06LA4	22	6000	-
0.09	4.5	161	2.0	306.2	BG30G06-../D06LA4	25	6000	-
0.09	3.9	192	1.7	346.8	BG30G06-../D06LA4	25	6000	-
0.09	3.4	220	1.5	401.9	BG30G06-../D06LA4	25	6000	-
0.09	2.9	260	1.25	472.8	BG30G06-../D06LA4	25	6000	-
0.09	2.4	320	1.0	565.8	BG30G06-../D06LA4	25	6000	-
0.09	2.0	385	0.84	690.6	BG30G06-../D06LA4	25	6000	-
0.09	6.1	140	3.0	221.9	BG40Z-../D06LA4	38	7000	-
0.09	5.5	156	2.7	246.5	BG40Z-../D06LA4	38	7000	-
0.09	5.0	171	2.5	273.6	BG40Z-../D06LA4	38	7000	-

The torques marked (*) are maximum permissible torques for service factor f_B=1.0.

BG-series helical-geared motors

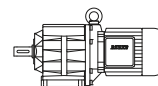
Selection helical-geared motors

0.09 kW



P _N [kW]	n ₂ [1/min]	50 Hz		i [:1]	Type	m [kg]	F _{RN} [N]	F _{RV} [N]
		M ₂ [Nm]	f _B [—]					
0.09	3.1	170	2.7	448.8	BG40G10-../D06LA4	43	7000	-
0.09	2.6	210	2.2	534.2	BG40G10-../D06LA4	43	7000	-
0.09	2.2	275	1.7	640.0	BG40G10-../D06LA4	43	7000	-
0.09	1.9	325	1.45	710.9	BG40G10-../D06LA4	43	7000	-
0.09	1.8	335	1.4	789.1	BG40G10-../D06LA4	43	7000	-
0.09	1.4	460	1.0	965.2	BG40G10-../D06LA4	43	7000	-
0.09	1.2	550	0.85	1225	BG40G10-../D06LA4	43	7000	-
0.09	2.6	210	3.3	531.5	BG50G10-../D06LA4	51	10000	-
0.09	2.2	280	2.5	621.3	BG50G10-../D06LA4	51	10000	-
0.09	2.0	300	2.3	708.3	BG50G10-../D06LA4	51	10000	-
0.09	1.8	335	2.1	785.1	BG50G10-../D06LA4	51	10000	-
0.09	1.5	420	1.65	960.2	BG50G10-../D06LA4	51	10000	-
0.09	1.2	550	1.25	1219	BG50G10-../D06LA4	51	10000	-
0.09	1.3	420	3.1	1051	BG60G20-../D06LA4	100	16000	-
0.09	1.2	465	2.8	1168	BG60G20-../D06LA4	100	16000	-
0.09	1.1	510	2.5	1346	BG60G20-../D06LA4	100	16000	-
0.09	0.95	630	2.1	1496	BG60G20-../D06LA4	100	16000	-
0.09	0.8	800	1.65	1741	BG60G20-../D06LA4	100	16000	-
0.09	0.75	870	1.5	1880	BG60G20-../D06LA4	100	16000	-
0.09	0.65	1050	1.25	2249	BG60G20-../D06LA4	100	16000	-
0.09	0.85	770	3.2	1666	BG70G20-../D06LA4	130	20000	-
0.09	0.7	980	2.6	1994	BG70G20-../D06LA4	130	20000	-
0.09	0.65	1080	2.3	2215	BG70G20-../D06LA4	130	20000	-
0.09	0.49	1510	1.65	2774	BG70G20-../D06LA4	130	20000	-
0.09	0.43	1750	1.45	3184	BG70G20-../D06LA4	130	20000	-
0.09	0.35	2200	1.15	3925	BG70G20-../D06LA4	130	20000	-

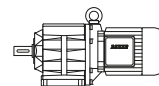
0.11 kW



P _N [kW]	n ₂ [1/min]	50 Hz		i [:1]	Type	m [kg]	F _{RN} [N]	F _{RV} [N]
		M ₂ [Nm]	f _B [—]					
0.11	540	1.94	2.1	2.51	BG04-../D04LA4	4.4	340	-
0.11	370	2.8	1.8	3.65	BG04-../D04LA4	4.4	390	-
0.11	310	3.35	2.1	4.39	BG04-../D04LA4	4.4	380	-
0.11	255	4.1	2.2	5.36	BG04-../D04LA4	4.4	380	-
0.11	220	4.75	2.3	6.18	BG04-../D04LA4	4.4	415	-
0.11	205	5.1	1.95	6.67	BG04-../D04LA4	4.4	410	-
0.11	199	5.2	2.1	6.80	BG04-../D04LA4	4.4	420	-
0.11	158	6.6	1.65	8.58	BG04-../D04LA4	4.4	410	-
0.11	150	7.0	1.7	9.00	BG04-../D04LA4	4.4	470	-
0.11	137	7.6	1.7	9.90	BG04-../D04LA4	4.4	480	-
0.11	125	8.4	1.65	10.82	BG04-../D04LA4	4.4	480	-
0.11	114	9.2	1.65	11.90	BG04-../D04LA4	4.4	490	-
0.11	108	9.7	1.55	12.55	BG04-../D04LA4	4.4	490	-
0.11	103	10.1	1.6	13.20	BG04-../D04LA4	4.4	500	-
0.11	93	11.2	1.5	14.52	BG04-../D04LA4	4.4	510	-
0.11	83	12.6	1.45	16.44	BG04-../D04LA4	4.4	530	-
0.11	75	14	1.3	18.08	BG04-../D04LA4	4.4	540	-
0.11	64	16.4	1.15	21.12	BG04-../D04LA4	4.4	560	-
0.11	59	17.8	1.1	23.23	BG04-../D04LA4	4.4	600	-
0.11	56	18.7	1.05	24.45	BG04-../D04LA4	4.4	610	-
0.11	51	20.5	0.98	26.89	BG04-../D04LA4	4.4	650	-
0.11	44	23.5	0.85	30.91	BG04-../D04LA4	4.4	690	-
0.11	250	4.2	3.3	5.46	BG05-../D04LA4	5.1	490	-
0.11	205	5.1	3.3	6.64	BG05-../D04LA4	5.1	500	-
0.11	174	6.0	3.0	7.80	BG05-../D04LA4	5.1	530	-
0.11	166	6.3	2.9	8.15	BG05-../D04LA4	5.1	510	-
0.11	159	6.6	2.9	8.51	BG05-../D04LA4	5.1	550	-
0.11	128	8.2	2.4	10.59	BG05-../D04LA4	5.1	590	-
0.11	117	8.9	2.4	11.55	BG05-../D04LA4	5.1	600	-
0.11	113	9.2	2.3	12.05	BG05-../D04LA4	5.1	510	-

The torques marked (*) are maximum permissible torques for service factor f_B=1.0.

0.11 kW



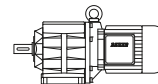
P _N [kW]	n ₂ [1/min]	50 Hz		i [:1]	Type	m [kg]	F _{RN} [N]	F _{RV} [N]
		M ₂ [Nm]	f _B [-]					
0.11	108	9.7	2.3	12.60	BG05-../D04LA4	5.1	610	-
0.11	99	10.6	2.2	13.75	BG05-../D04LA4	5.1	630	-
0.11	89	11.8	2.0	15.23	BG05-../D04LA4	5.1	640	-
0.11	82	12.8	1.95	16.62	BG05-../D04LA4	5.1	660	-
0.11	72	14.5	1.8	18.82	BG05-../D04LA4	5.1	680	-
0.11	66	15.9	1.7	20.53	BG05-../D04LA4	5.1	700	-
0.11	57	18.4	1.5	24.00	BG05-../D04LA4	5.1	740	-
0.11	52	20	1.45	26.18	BG05-../D04LA4	5.1	760	-
0.11	49	21	1.45	27.82	BG05-../D04LA4	5.1	770	-
0.11	44.5	23.5	1.3	30.35	BG05-../D04LA4	5.1	760	-
0.11	39	26.5	1.15	35.00	BG05-../D04LA4	5.1	810	-
0.11	35.5	29.5	1.0	38.18	BG05-../D04LA4	5.1	850	-
0.11	34	30.5	0.98	39.94	BG05-../D04LA4	5.1	860	-
0.11	31	33.5	0.9	43.57	BG05-../D04LA4	5.1	900	-
0.11	29	36	0.83	47.00	BG05-../D04LA4	5.1	930	-
0.11	18	40*	1.0	75.99	BG06G04-../D04LA4	8.4	1070	-
0.11	16.5	43*	1.0	82.89	BG06G04-../D04LA4	8.4	1070	-
0.11	15	45*	1.0	93.00	BG06G04-../D04LA4	8.4	1070	-
0.11	13.5	45*	1.0	101.5	BG06G04-../D04LA4	8.4	1070	-
0.11	11.5	45*	1.0	122.0	BG06G04-../D04LA4	8.4	1070	-
0.11	9.1	45*	1.0	149.0	BG06G04-../D04LA4	8.4	1070	-
0.11	7.3	45*	1.0	185.4	BG06G04-../D04LA4	8.4	1070	-
0.11	5.4	45*	1.0	250.2	BG06G04-../D04LA4	8.4	1070	-
0.11	5.0	45*	1.0	275.2	BG06G04-../D04LA4	8.4	1070	-
0.11	4.1	45*	1.0	330.8	BG06G04-../D04LA4	8.4	1070	-
0.11	3.7	45*	1.0	367.0	BG06G04-../D04LA4	8.4	1070	-
0.11	3.0	45*	1.0	457.0	BG06G04-../D04LA4	8.4	1070	-
0.11	2.7	45*	1.0	502.6	BG06G04-../D04LA4	8.4	1070	-
0.11	2.3	45*	1.0	587.1	BG06G04-../D04LA4	8.4	1070	-
0.11	2.1	45*	1.0	645.8	BG06G04-../D04LA4	8.4	1070	-
0.11	1.9	45*	1.0	747.5	BG06G04-../D04LA4	8.4	1070	-
0.11	1.6	45*	1.0	859.3	BG06G04-../D04LA4	8.4	1070	-
0.11	1.5	45*	1.0	945.2	BG06G04-../D04LA4	8.4	1070	-
0.11	1.3	45*	1.0	1081	BG06G04-../D04LA4	8.4	1070	-
0.11	1.2	45*	1.0	1174	BG06G04-../D04LA4	8.4	1070	-
0.11	1.1	45*	1.0	1321	BG06G04-../D04LA4	8.4	1070	-
0.11	0.9	45*	1.0	1528	BG06G04-../D04LA4	8.4	1070	-
0.11	0.85	45*	1.0	1681	BG06G04-../D04LA4	8.4	1070	-
0.11	0.7	45*	1.0	1948	BG06G04-../D04LA4	8.4	1070	-
0.11	0.65	45*	1.0	2126	BG06G04-../D04LA4	8.4	1070	-
0.11	0.6	45*	1.0	2435	BG06G04-../D04LA4	8.4	1070	-
0.11	105	10	3.3	12.98	BG06-../D04LA4	6.1	600	-
0.11	92	11.4	3.0	14.78	BG06-../D04LA4	6.1	730	-
0.11	84	12.5	2.8	16.13	BG06-../D04LA4	6.1	740	-
0.11	78	13.4	2.8	17.40	BG06-../D04LA4	6.1	760	-
0.11	72	14.5	2.8	18.98	BG06-../D04LA4	6.1	770	-
0.11	65	16.1	2.5	20.82	BG06-../D04LA4	6.1	800	-
0.11	60	17.5	2.5	22.71	BG06-../D04LA4	6.1	810	-
0.11	53	19.8	2.3	25.48	BG06-../D04LA4	6.1	850	-
0.11	49	21	2.1	27.80	BG06-../D04LA4	6.1	840	-
0.11	42	25	1.8	32.22	BG06-../D04LA4	6.1	890	-
0.11	38.5	27	1.65	35.15	BG06-../D04LA4	6.1	880	-
0.11	37	28	1.6	36.91	BG06-../D04LA4	6.1	890	-
0.11	34	30.5	1.5	40.26	BG06-../D04LA4	6.1	890	-
0.11	29.5	35.5	1.25	46.19	BG06-../D04LA4	6.1	890	-
0.11	27	38.5	1.15	50.38	BG06-../D04LA4	6.1	940	-
0.11	26	40	1.15	52.56	BG06-../D04LA4	6.1	950	-
0.11	24	43.5	1.05	57.34	BG06-../D04LA4	6.1	1000	-
0.11	22.5	46.5	0.97	61.22	BG06-../D04LA4	6.1	1020	-
0.11	20.5	51	0.88	66.79	BG06-../D04LA4	6.1	1070	-
0.11	20	52	2.0	67.54	BG10Z-../D04LA4	11	2000	2800
0.11	17.5	60	2.0	77.40	BG10Z-../D04LA4	11	2000	2800
0.11	16	65	1.85	85.76	BG10Z-../D04LA4	11	2000	2800
0.11	15	70	1.7	92.19	BG10Z-../D04LA4	11	2000	2800
0.11	13.5	77	1.55	102.1	BG10Z-../D04LA4	11	2000	2800
0.11	12.5	84	1.45	109.8	BG10Z-../D04LA4	11	2000	2800
0.11	11.5	91	1.3	121.7	BG10Z-../D04LA4	11	2000	2800

The torques marked (*) are maximum permissible torques for service factor f_B=1.0.

BG-series helical-geared motors

Selection helical-geared motors

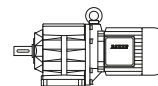
0.11 kW



P _N [kW]	n ₂ [1/min]	50 Hz		i [:1]	Type	m [kg]	F _{RN} [N]	F _{RV} [N]
		M ₂ [Nm]	f _B [-]					
0.11	10.5	100	1.2	131.8	BG10Z-../D04LA4	11	2000	2800
0.11	9.3	112	1.05	146.0	BG10Z-../D04LA4	11	2000	2800
0.11	8.2	128	0.94	166.0	BG10Z-../D04LA4	11	2000	2800
0.11	7.4	141	0.85	184.0	BG10Z-../D04LA4	11	2000	2800
0.11	7.0	150	0.8	194.6	BG10Z-../D04LA4	11	2000	2800
0.11	5.7	158	0.82	240.7	BG10G06-../D04LA4	14	2000	2800
0.11	4.9	130*	1.0	276.4	BG10G06-../D04LA4	14	2000	2800
0.11	4.1	130*	1.0	332.0	BG10G06-../D04LA4	14	2000	2800
0.11	3.6	130*	1.0	379.6	BG10G06-../D04LA4	14	2000	2800
0.11	3.1	130*	1.0	435.9	BG10G06-../D04LA4	14	2000	2800
0.11	2.7	130*	1.0	512.6	BG10G06-../D04LA4	14	2000	2800
0.11	2.3	130*	1.0	613.6	BG10G06-../D04LA4	14	2000	2800
0.11	1.9	130*	1.0	748.9	BG10G06-../D04LA4	14	2000	2800
0.11	1.6	130*	1.0	899.5	BG10G06-../D04LA4	14	2000	2800
0.11	1.3	130*	1.0	1081	BG10G06-../D04LA4	14	2000	2800
0.11	1.1	130*	1.0	1272	BG10G06-../D04LA4	14	2000	2800
0.11	0.9	130*	1.0	1523	BG10G06-../D04LA4	14	2000	2800
0.11	0.75	130*	1.0	1863	BG10G06-../D04LA4	14	2000	2800
0.11	0.6	130*	1.0	2356	BG10G06-../D04LA4	14	2000	2800
0.11	0.55	130*	1.0	2699	BG10G06-../D04LA4	14	2000	2800
0.11	0.46	130*	1.0	2944	BG10G06-../D04LA4	14	2000	2800
0.11	0.4	130*	1.0	3378	BG10G06-../D04LA4	14	2000	2800
0.11	0.37	130*	1.0	3684	BG10G06-../D04LA4	14	2000	2800
0.11	0.31	130*	1.0	4477	BG10G06-../D04LA4	14	2000	2800
0.11	0.28	130*	1.0	4884	BG10G06-../D04LA4	14	2000	2800
0.11	17.5	60	3.3	78.60	BG20Z-../D04LA4	13	5000	-
0.11	15.5	67	3.0	87.30	BG20Z-../D04LA4	13	5000	-
0.11	14.5	72	2.8	94.27	BG20Z-../D04LA4	13	5000	-
0.11	13	80	2.5	104.7	BG20Z-../D04LA4	13	5000	-
0.11	12	87	2.3	112.8	BG20Z-../D04LA4	13	5000	-
0.11	11	95	2.1	125.3	BG20Z-../D04LA4	13	5000	-
0.11	9.6	109	1.85	141.3	BG20Z-../D04LA4	13	5000	-
0.11	8.4	125	1.6	162.2	BG20Z-../D04LA4	13	5000	-
0.11	7.5	140	1.45	180.1	BG20Z-../D04LA4	13	5000	-
0.11	6.8	154	1.3	199.9	BG20Z-../D04LA4	13	5000	-
0.11	6.1	172	1.15	222.1	BG20Z-../D04LA4	13	5000	-
0.11	5.5	164	1.35	248.0	BG20G06-../D04LA4	17	5000	2100
0.11	4.6	199	1.1	297.9	BG20G06-../D04LA4	17	5000	2100
0.11	3.9	240	0.92	352.1	BG20G06-../D04LA4	17	5000	2100
0.11	3.5	265	0.83	391.1	BG20G06-../D04LA4	17	5000	2100
0.11	3.0	220*	1.0	460.0	BG20G06-../D04LA4	17	5000	2100
0.11	2.5	220*	1.0	550.6	BG20G06-../D04LA4	17	5000	2100
0.11	2.1	220*	1.0	671.9	BG20G06-../D04LA4	17	5000	2100
0.11	1.7	220*	1.0	807.1	BG20G06-../D04LA4	17	5000	2100
0.11	1.4	220*	1.0	969.9	BG20G06-../D04LA4	17	5000	2100
0.11	1.2	220*	1.0	1142	BG20G06-../D04LA4	17	5000	2100
0.11	1.0	220*	1.0	1366	BG20G06-../D04LA4	17	5000	2100
0.11	0.85	220*	1.0	1672	BG20G06-../D04LA4	17	5000	2100
0.11	0.75	220*	1.0	1824	BG20G06-../D04LA4	17	5000	2100
0.11	0.65	220*	1.0	2114	BG20G06-../D04LA4	17	5000	2100
0.11	0.6	220*	1.0	2422	BG20G06-../D04LA4	17	5000	2100
0.11	0.55	220*	1.0	2642	BG20G06-../D04LA4	17	5000	2100
0.11	0.45	220*	1.0	3031	BG20G06-../D04LA4	17	5000	2100
0.11	0.41	220*	1.0	3306	BG20G06-../D04LA4	17	5000	2100
0.11	0.34	220*	1.0	4017	BG20G06-../D04LA4	17	5000	2100
0.11	0.31	220*	1.0	4383	BG20G06-../D04LA4	17	5000	2100
0.11	5.3	171	1.9	254.9	BG30G06-../D04LA4	21	6000	-
0.11	4.5	200	1.65	306.2	BG30G06-../D04LA4	21	6000	-
0.11	3.9	240	1.35	346.8	BG30G06-../D04LA4	21	6000	-
0.11	3.4	275	1.2	401.9	BG30G06-../D04LA4	21	6000	-
0.11	2.9	325	1.0	472.8	BG30G06-../D04LA4	21	6000	-
0.11	2.4	395	0.82	565.8	BG30G06-../D04LA4	21	6000	-
0.11	2.0	325*	1.0	690.6	BG30G06-../D04LA4	21	6000	-
0.11	1.8	325*	1.0	760.7	BG30G06-../D04LA4	21	6000	-
0.11	1.7	325*	1.0	829.5	BG30G06-../D04LA4	21	6000	-
0.11	1.4	325*	1.0	996.8	BG30G06-../D04LA4	21	6000	-
0.11	1.3	325*	1.0	1088	BG30G06-../D04LA4	21	6000	-
0.11	1.1	325*	1.0	1280	BG30G06-../D04LA4	21	6000	-

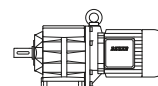
The torques marked (*) are maximum permissible torques for service factor f_B=1.0.

0.11 kW



P _N [kW]	n ₂ [1/min]	50 Hz		i [:1]	Type	m [kg]	F _{RN} [N]	F _{RV} [N]
		M ₂ [Nm]	f _B [—]					
0.11	1.0	325*	1.0	1404	BG30G06-../D04LA4	21	6000	-
0.11	0.8	325*	1.0	1718	BG30G06-../D04LA4	21	6000	-
0.11	0.75	325*	1.0	1875	BG30G06-../D04LA4	21	6000	-
0.11	0.65	325*	1.0	2173	BG30G06-../D04LA4	21	6000	-
0.11	0.5	325*	1.0	2715	BG30G06-../D04LA4	21	6000	-
0.11	0.44	325*	1.0	3115	BG30G06-../D04LA4	21	6000	-
0.11	0.4	325*	1.0	3398	BG30G06-../D04LA4	21	6000	-
0.11	0.35	325*	1.0	3867	BG30G06-../D04LA4	21	6000	-
0.11	0.3	325*	1.0	4504	BG30G06-../D04LA4	21	6000	-

0.12 kW



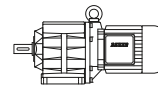
P _N [kW]	n ₂ [1/min]	50 Hz		i [:1]	Type	m [kg]	F _{RN} [N]	F _{RV} [N]
		M ₂ [Nm]	f _B [—]					
0.12	530	2.15	4.2	2.64	BG05-../DHE05LA4	7.0	420	-
0.12	415	2.75	3.6	3.38	BG05-../DHE05LA4	7.0	460	-
0.12	305	3.75	3.2	4.59	BG05-../DHE05LA4	7.0	490	-
0.12	255	4.45	3.1	5.46	BG05-../DHE05LA4	7.0	490	-
0.12	230	4.95	3.4	6.09	BG05-../DHE05LA4	7.0	480	-
0.12	215	5.3	3.0	6.60	BG05-../DHE05LA4	7.0	510	-
0.12	210	5.4	3.1	6.64	BG05-../DHE05LA4	7.0	500	-
0.12	179	6.4	2.8	7.80	BG05-../DHE05LA4	7.0	530	-
0.12	171	6.7	2.7	8.15	BG05-../DHE05LA4	7.0	510	-
0.12	164	6.9	2.8	8.51	BG05-../DHE05LA4	7.0	550	-
0.12	132	8.6	2.3	10.59	BG05-../DHE05LA4	7.0	590	-
0.12	121	9.4	2.2	11.55	BG05-../DHE05LA4	7.0	600	-
0.12	116	9.8	2.1	12.05	BG05-../DHE05LA4	7.0	510	-
0.12	111	10.3	2.1	12.60	BG05-../DHE05LA4	7.0	610	-
0.12	102	11.2	2.1	13.75	BG05-../DHE05LA4	7.0	630	-
0.12	92	12.4	1.95	15.23	BG05-../DHE05LA4	7.0	640	-
0.12	84	13.6	1.85	16.62	BG05-../DHE05LA4	7.0	660	-
0.12	74	15.4	1.7	18.82	BG05-../DHE05LA4	7.0	680	-
0.12	68	16.8	1.6	20.53	BG05-../DHE05LA4	7.0	700	-
0.12	58	19.7	1.4	24.00	BG05-../DHE05LA4	7.0	740	-
0.12	54	21	1.4	26.18	BG05-../DHE05LA4	7.0	760	-
0.12	50	22.5	1.35	27.82	BG05-../DHE05LA4	7.0	770	-
0.12	46	24.5	1.2	30.35	BG05-../DHE05LA4	7.0	760	-
0.12	40	28.5	1.05	35.00	BG05-../DHE05LA4	7.0	810	-
0.12	36.5	31	0.97	38.18	BG05-../DHE05LA4	7.0	850	-
0.12	35	32.5	0.92	39.94	BG05-../DHE05LA4	7.0	860	-
0.12	32	35.5	0.85	43.57	BG05-../DHE05LA4	7.0	900	-
0.12	114	10	3.3	12.30	BG06-../DHE05LA4	8.0	670	-
0.12	108	10.6	3.1	12.98	BG06-../DHE05LA4	8.0	600	-
0.12	95	12	2.8	14.78	BG06-../DHE05LA4	8.0	730	-
0.12	87	13.1	2.7	16.13	BG06-../DHE05LA4	8.0	740	-
0.12	80	14.3	2.7	17.40	BG06-../DHE05LA4	8.0	760	-
0.12	74	15.4	2.6	18.98	BG06-../DHE05LA4	8.0	770	-
0.12	67	17.1	2.3	20.82	BG06-../DHE05LA4	8.0	800	-
0.12	62	18.4	2.3	22.71	BG06-../DHE05LA4	8.0	810	-
0.12	55	20.5	2.2	25.48	BG06-../DHE05LA4	8.0	850	-
0.12	50	22.5	2.0	27.80	BG06-../DHE05LA4	8.0	840	-
0.12	43.5	26	1.75	32.22	BG06-../DHE05LA4	8.0	890	-
0.12	40	28.5	1.6	35.15	BG06-../DHE05LA4	8.0	880	-
0.12	38	30	1.5	36.91	BG06-../DHE05LA4	8.0	890	-
0.12	35	32.5	1.4	40.26	BG06-../DHE05LA4	8.0	890	-
0.12	30.5	37.5	1.2	46.19	BG06-../DHE05LA4	8.0	890	-
0.12	28	40.5	1.1	50.38	BG06-../DHE05LA4	8.0	940	-
0.12	26.5	43	1.05	52.56	BG06-../DHE05LA4	8.0	950	-
0.12	24.5	46.5	0.97	57.34	BG06-../DHE05LA4	8.0	1000	-
0.12	23	49.5	0.91	61.22	BG06-../DHE05LA4	8.0	1020	-
0.12	21	54	0.83	66.79	BG06-../DHE05LA4	8.0	1070	-
0.12	31.5	36	3.3	43.99	BG10-../DHE06LA4	13	1880	2600
0.12	30	38	3.2	46.55	BG10-../DHE06LA4	13	1920	2650

The torques marked (*) are maximum permissible torques for service factor f_B=1.0.

BG-series helical-geared motors

Selection helical-geared motors

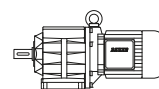
0.12 kW



P _N [kW]	n ₂ [1/min]	50 Hz		i [:1]	Type	m [kg]	F _{RN} [N]	F _{RV} [N]
		M ₂ [Nm]	f _B [-]					
0.12	27	42	2.9	51.57	BG10-../DHE06LA4	13	2000	2800
0.12	24.5	46.5	2.6	57.48	BG10-../DHE06LA4	13	2000	2800
0.12	22	52	2.3	63.69	BG10-../DHE06LA4	13	2000	2800
0.12	21	54	2.2	66.00	BG10-../DHE06LA4	13	2000	2800
0.12	19	60	2.0	73.13	BG10-../DHE06LA4	13	2000	2800
0.12	18	63	1.9	77.40	BG10Z-../DHE06LA4	14	2000	2800
0.12	16.5	69	1.75	85.76	BG10Z-../DHE06LA4	14	2000	2800
0.12	15.5	73	1.65	92.19	BG10Z-../DHE06LA4	14	2000	2800
0.12	14	81	1.5	102.1	BG10Z-../DHE06LA4	14	2000	2800
0.12	13	88	1.35	109.8	BG10Z-../DHE06LA4	14	2000	2800
0.12	11.5	99	1.2	121.7	BG10Z-../DHE06LA4	14	2000	2800
0.12	11	104	1.15	131.8	BG10Z-../DHE06LA4	14	2000	2800
0.12	9.5	120	1.0	146.0	BG10Z-../DHE06LA4	14	2000	2800
0.12	8.4	136	0.88	166.0	BG10Z-../DHE06LA4	14	2000	2800
0.12	7.6	150	0.8	184.0	BG10Z-../DHE06LA4	14	2000	2800
0.12	7.2	138	0.94	194.9	BG10G06-../DHE06LA4	18	2000	2800
0.12	5.8	130*	1.0	240.7	BG10G06-../DHE06LA4	18	2000	2800
0.12	5.1	130*	1.0	276.4	BG10G06-../DHE06LA4	18	2000	2800
0.12	4.2	130*	1.0	332.0	BG10G06-../DHE06LA4	18	2000	2800
0.12	3.7	130*	1.0	379.6	BG10G06-../DHE06LA4	18	2000	2800
0.12	3.2	130*	1.0	435.9	BG10G06-../DHE06LA4	18	2000	2800
0.12	2.8	130*	1.0	512.6	BG10G06-../DHE06LA4	18	2000	2800
0.12	2.3	130*	1.0	613.6	BG10G06-../DHE06LA4	18	2000	2800
0.12	1.9	130*	1.0	748.9	BG10G06-../DHE06LA4	18	2000	2800
0.12	1.6	130*	1.0	899.5	BG10G06-../DHE06LA4	18	2000	2800
0.12	1.3	130*	1.0	1081	BG10G06-../DHE06LA4	18	2000	2800
0.12	1.1	130*	1.0	1272	BG10G06-../DHE06LA4	18	2000	2800
0.12	0.95	130*	1.0	1523	BG10G06-../DHE06LA4	18	2000	2800
0.12	0.75	130*	1.0	1863	BG10G06-../DHE06LA4	18	2000	2800
0.12	0.6	130*	1.0	2356	BG10G06-../DHE06LA4	18	2000	2800
0.12	0.55	130*	1.0	2699	BG10G06-../DHE06LA4	18	2000	2800
0.12	0.48	130*	1.0	2944	BG10G06-../DHE06LA4	18	2000	2800
0.12	0.42	130*	1.0	3378	BG10G06-../DHE06LA4	18	2000	2800
0.12	0.38	130*	1.0	3684	BG10G06-../DHE06LA4	18	2000	2800
0.12	0.31	130*	1.0	4477	BG10G06-../DHE06LA4	18	2000	2800
0.12	0.29	130*	1.0	4884	BG10G06-../DHE06LA4	18	2000	2800
0.12	18	63	3.2	78.60	BG20Z-../DHE06LA4	16	5000	-
0.12	16	71	2.8	87.30	BG20Z-../DHE06LA4	16	5000	-
0.12	15	76	2.6	94.27	BG20Z-../DHE06LA4	16	5000	-
0.12	13.5	84	2.4	104.7	BG20Z-../DHE06LA4	16	5000	-
0.12	12.5	91	2.2	112.8	BG20Z-../DHE06LA4	16	5000	-
0.12	11.5	99	2.0	125.3	BG20Z-../DHE06LA4	16	5000	-
0.12	9.9	115	1.75	141.3	BG20Z-../DHE06LA4	16	5000	-
0.12	8.6	133	1.5	162.2	BG20Z-../DHE06LA4	16	5000	-
0.12	7.7	148	1.35	180.1	BG20Z-../DHE06LA4	16	5000	-
0.12	7.0	163	1.25	199.9	BG20Z-../DHE06LA4	16	5000	-
0.12	6.3	181	1.1	222.1	BG20Z-../DHE06LA4	16	5000	-
0.12	5.6	178	1.25	248.0	BG20G06-../DHE06LA4	20	5000	2100
0.12	4.7	210	1.05	297.9	BG20G06-../DHE06LA4	20	5000	2100
0.12	4.0	255	0.86	352.1	BG20G06-../DHE06LA4	20	5000	2100
0.12	3.6	220*	1.0	391.1	BG20G06-../DHE06LA4	20	5000	2100
0.12	3.1	220*	1.0	460.0	BG20G06-../DHE06LA4	20	5000	2100
0.12	2.6	220*	1.0	550.6	BG20G06-../DHE06LA4	20	5000	2100
0.12	2.1	220*	1.0	671.9	BG20G06-../DHE06LA4	20	5000	2100
0.12	1.8	220*	1.0	807.1	BG20G06-../DHE06LA4	20	5000	2100
0.12	1.5	220*	1.0	969.9	BG20G06-../DHE06LA4	20	5000	2100
0.12	1.3	220*	1.0	1142	BG20G06-../DHE06LA4	20	5000	2100
0.12	1.1	220*	1.0	1366	BG20G06-../DHE06LA4	20	5000	2100
0.12	0.85	220*	1.0	1672	BG20G06-../DHE06LA4	20	5000	2100
0.12	0.8	220*	1.0	1824	BG20G06-../DHE06LA4	20	5000	2100
0.12	0.7	220*	1.0	2114	BG20G06-../DHE06LA4	20	5000	2100
0.12	0.6	220*	1.0	2422	BG20G06-../DHE06LA4	20	5000	2100
0.12	0.55	220*	1.0	2642	BG20G06-../DHE06LA4	20	5000	2100
0.12	0.46	220*	1.0	3031	BG20G06-../DHE06LA4	20	5000	2100
0.12	0.42	220*	1.0	3306	BG20G06-../DHE06LA4	20	5000	2100
0.12	0.35	220*	1.0	4017	BG20G06-../DHE06LA4	20	5000	2100
0.12	0.32	220*	1.0	4383	BG20G06-../DHE06LA4	20	5000	2100
0.12	11.5	99	3.0	121.6	BG30Z-../DHE06LA4	22	6000	-

The torques marked (*) are maximum permissible torques for service factor f_B=1.0.

0.12 kW



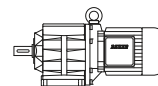
P _N [kW]	n ₂ [1/min]	50 Hz		i [:1]	Type	m [kg]	F _{RN} [N]	F _{RV} [N]
		M ₂ [Nm]	f _B [-]					
0.12	11	104	2.9	128.5	BG30Z-../DHE06LA4	22	6000	-
0.12	9.8	116	2.6	142.5	BG30Z-../DHE06LA4	22	6000	-
0.12	9.2	124	2.4	151.5	BG30Z-../DHE06LA4	22	6000	-
0.12	8.3	138	2.2	168.1	BG30Z-../DHE06LA4	22	6000	-
0.12	7.6	150	2.0	182.9	BG30Z-../DHE06LA4	22	6000	-
0.12	6.9	166	1.8	202.9	BG30Z-../DHE06LA4	22	6000	-
0.12	6.2	184	1.65	225.9	BG30Z-../DHE06LA4	22	6000	-
0.12	5.6	200	1.5	250.6	BG30Z-../DHE06LA4	22	6000	-
0.12	5.3	215	1.4	261.9	BG30Z-../DHE06LA4	22	6000	-
0.12	4.8	235	1.3	290.5	BG30Z-../DHE06LA4	22	6000	-
0.12	4.6	215	1.5	306.2	BG30G06-../DHE06LA4	25	6000	-
0.12	4.0	255	1.25	346.8	BG30G06-../DHE06LA4	25	6000	-
0.12	3.5	295	1.1	401.9	BG30G06-../DHE06LA4	25	6000	-
0.12	3.0	345	0.94	472.8	BG30G06-../DHE06LA4	25	6000	-
0.12	2.5	325*	1.0	565.8	BG30G06-../DHE06LA4	25	6000	-
0.12	2.1	325*	1.0	690.6	BG30G06-../DHE06LA4	25	6000	-
0.12	1.9	325*	1.0	760.7	BG30G06-../DHE06LA4	25	6000	-
0.12	1.7	325*	1.0	829.5	BG30G06-../DHE06LA4	25	6000	-
0.12	1.4	325*	1.0	996.8	BG30G06-../DHE06LA4	25	6000	-
0.12	1.3	325*	1.0	1088	BG30G06-../DHE06LA4	25	6000	-
0.12	1.1	325*	1.0	1280	BG30G06-../DHE06LA4	25	6000	-
0.12	1.0	325*	1.0	1404	BG30G06-../DHE06LA4	25	6000	-
0.12	0.85	325*	1.0	1718	BG30G06-../DHE06LA4	25	6000	-
0.12	0.75	325*	1.0	1875	BG30G06-../DHE06LA4	25	6000	-
0.12	0.65	325*	1.0	2173	BG30G06-../DHE06LA4	25	6000	-
0.12	0.55	325*	1.0	2715	BG30G06-../DHE06LA4	25	6000	-
0.12	0.45	325*	1.0	3115	BG30G06-../DHE06LA4	25	6000	-
0.12	0.41	325*	1.0	3398	BG30G06-../DHE06LA4	25	6000	-
0.12	0.36	325*	1.0	3867	BG30G06-../DHE06LA4	25	6000	-
0.12	0.31	325*	1.0	4504	BG30G06-../DHE06LA4	25	6000	-
0.12	8.9	128	3.3	156.9	BG40Z-../DHE06LA4	38	7000	-
0.12	8.4	136	3.1	166.1	BG40Z-../DHE06LA4	38	7000	-
0.12	7.6	150	2.8	184.4	BG40Z-../DHE06LA4	38	7000	-
0.12	7.0	163	2.6	199.9	BG40Z-../DHE06LA4	38	7000	-
0.12	6.3	181	2.3	221.9	BG40Z-../DHE06LA4	38	7000	-
0.12	5.7	200	2.1	246.5	BG40Z-../DHE06LA4	38	7000	-
0.12	5.1	220	1.95	273.6	BG40Z-../DHE06LA4	38	7000	-
0.12	4.8	148	3.1	288.6	BG40G10-../DHE06LA4	43	7000	-
0.12	4.0	187	2.5	353.5	BG40G10-../DHE06LA4	43	7000	-
0.12	3.1	260	1.8	448.8	BG40G10-../DHE06LA4	43	7000	-
0.12	2.6	320	1.45	534.2	BG40G10-../DHE06LA4	43	7000	-
0.12	2.2	405	1.15	640.0	BG40G10-../DHE06LA4	43	7000	-
0.12	2.0	445	1.05	710.9	BG40G10-../DHE06LA4	43	7000	-
0.12	1.8	495	0.94	789.1	BG40G10-../DHE06LA4	43	7000	-
0.12	1.5	465*	1.0	965.2	BG40G10-../DHE06LA4	43	7000	-
0.12	1.2	465*	1.0	1225	BG40G10-../DHE06LA4	43	7000	-
0.12	0.95	465*	1.0	1459	BG40G10-../DHE06LA4	43	7000	-
0.12	0.8	465*	1.0	1738	BG40G10-../DHE06LA4	43	7000	-
0.12	0.7	465*	1.0	2087	BG40G10-../DHE06LA4	43	7000	-
0.12	0.55	465*	1.0	2628	BG40G10-../DHE06LA4	43	7000	-
0.12	0.45	465*	1.0	3082	BG40G10-../DHE06LA4	43	7000	-
0.12	0.37	465*	1.0	3805	BG40G10-../DHE06LA4	43	7000	-
0.12	0.33	465*	1.0	4216	BG40G10-../DHE06LA4	43	7000	-
0.12	0.29	465*	1.0	4841	BG40G10-../DHE06LA4	43	7000	-
0.12	5.4	210	3.0	258.6	BG50Z-../DHE06LA4	47	10000	-
0.12	4.9	230	2.7	286.7	BG50Z-../DHE06LA4	47	10000	-
0.12	3.2	250	2.8	446.5	BG50G10-../DHE06LA4	51	10000	-
0.12	2.7	305	2.3	531.5	BG50G10-../DHE06LA4	51	10000	-
0.12	2.3	385	1.8	621.3	BG50G10-../DHE06LA4	51	10000	-
0.12	2.0	445	1.55	708.3	BG50G10-../DHE06LA4	51	10000	-
0.12	1.8	495	1.4	785.1	BG50G10-../DHE06LA4	51	10000	-
0.12	1.5	610	1.15	960.2	BG50G10-../DHE06LA4	51	10000	-
0.12	1.2	790	0.87	1219	BG50G10-../DHE06LA4	51	10000	-
0.12	1.0	690*	1.0	1452	BG50G10-../DHE06LA4	51	10000	-
0.12	0.85	690*	1.0	1729	BG50G10-../DHE06LA4	51	10000	-
0.12	0.7	690*	1.0	2076	BG50G10-../DHE06LA4	51	10000	-
0.12	0.55	690*	1.0	2615	BG50G10-../DHE06LA4	51	10000	-
0.12	0.46	690*	1.0	3066	BG50G10-../DHE06LA4	51	10000	-

The torques marked (*) are maximum permissible torques for service factor f_B=1.0.

BG-series helical-geared motors

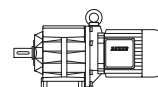
Selection helical-geared motors

0.12 kW



P _N [kW]	n ₂ [1/min]	50 Hz		i [:1]	Type	m [kg]	F _{RN} [N]	F _{RV} [N]
		M ₂ [Nm]	f _B [—]					
0.12	0.37	690*	1.0	3786	BG50G10-../DHE06LA4	51	10000	-
0.12	0.34	690*	1.0	4195	BG50G10-../DHE06LA4	51	10000	-
0.12	0.29	690*	1.0	4816	BG50G10-../DHE06LA4	51	10000	-
0.12	1.8	430	3.0	804.5	BG60G20-../DHE06LA4	100	16000	-
0.12	1.6	490	2.7	891.5	BG60G20-../DHE06LA4	100	16000	-
0.12	1.4	570	2.3	1051	BG60G20-../DHE06LA4	100	16000	-
0.12	1.2	700	1.85	1168	BG60G20-../DHE06LA4	100	16000	-
0.12	1.1	770	1.7	1346	BG60G20-../DHE06LA4	100	16000	-
0.12	0.95	930	1.4	1496	BG60G20-../DHE06LA4	100	16000	-
0.12	0.8	1160	1.1	1741	BG60G20-../DHE06LA4	100	16000	-
0.12	0.75	1250	1.05	1880	BG60G20-../DHE06LA4	100	16000	-
0.12	0.65	1300*	1.0	2249	BG60G20-../DHE06LA4	100	16000	-
0.12	0.5	1300*	1.0	2818	BG60G20-../DHE06LA4	100	16000	-
0.12	0.43	1300*	1.0	3234	BG60G20-../DHE06LA4	100	16000	-
0.12	0.39	1300*	1.0	3592	BG60G20-../DHE06LA4	100	16000	-
0.12	0.32	1300*	1.0	4429	BG60G20-../DHE06LA4	100	16000	-
0.12	1.0	900	2.8	1389	BG70G20-../DHE06LA4	130	20000	-
0.12	0.9	1030	2.4	1543	BG70G20-../DHE06LA4	130	20000	-
0.12	0.85	1100	2.3	1666	BG70G20-../DHE06LA4	130	20000	-
0.12	0.7	1390	1.8	1994	BG70G20-../DHE06LA4	130	20000	-
0.12	0.65	1520	1.65	2215	BG70G20-../DHE06LA4	130	20000	-
0.12	0.5	2050	1.2	2774	BG70G20-../DHE06LA4	130	20000	-
0.12	0.44	2350	1.05	3184	BG70G20-../DHE06LA4	130	20000	-
0.12	0.36	2500*	1.0	3925	BG70G20-../DHE06LA4	130	20000	-

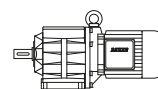
0.18 kW



P _N [kW]	n ₂ [1/min]	50 Hz		i [:1]	Type	m [kg]	F _{RN} [N]	F _{RV} [N]
		M ₂ [Nm]	f _B [—]					
0.18	530	3.2	2.8	2.64	BG05-../DHE05LA4	7.0	420	-
0.18	410	4.15	2.4	3.38	BG05-../DHE05LA4	7.0	460	-
0.18	300	5.7	2.1	4.59	BG05-../DHE05LA4	7.0	490	-
0.18	255	6.7	2.1	5.46	BG05-../DHE05LA4	7.0	490	-
0.18	230	7.4	2.3	6.09	BG05-../DHE05LA4	7.0	480	-
0.18	210	8.1	2.1	6.64	BG05-../DHE05LA4	7.0	500	-
0.18	177	9.7	1.85	7.80	BG05-../DHE05LA4	7.0	530	-
0.18	169	10.1	1.8	8.15	BG05-../DHE05LA4	7.0	510	-
0.18	162	10.6	1.8	8.51	BG05-../DHE05LA4	7.0	550	-
0.18	133	12.9	1.45	10.40	BG05-../DHE05LA4	7.0	510	-
0.18	130	13.2	1.5	10.59	BG05-../DHE05LA4	7.0	590	-
0.18	120	14.3	1.45	11.55	BG05-../DHE05LA4	7.0	600	-
0.18	115	14.9	1.4	12.05	BG05-../DHE05LA4	7.0	510	-
0.18	110	15.6	1.4	12.60	BG05-../DHE05LA4	7.0	610	-
0.18	100	17.1	1.35	13.75	BG05-../DHE05LA4	7.0	630	-
0.18	91	18.8	1.3	15.23	BG05-../DHE05LA4	7.0	640	-
0.18	83	20.5	1.2	16.62	BG05-../DHE05LA4	7.0	660	-
0.18	74	23	1.15	18.82	BG05-../DHE05LA4	7.0	680	-
0.18	67	25.5	1.05	20.53	BG05-../DHE05LA4	7.0	700	-
0.18	58	29.5	0.95	24.00	BG05-../DHE05LA4	7.0	740	-
0.18	53	32	0.91	26.18	BG05-../DHE05LA4	7.0	760	-
0.18	49.5	34.5	0.87	27.82	BG05-../DHE05LA4	7.0	770	-
0.18	45.5	37.5	0.8	30.35	BG05-../DHE05LA4	7.0	760	-
0.18	235	7.3	3.3	5.96	BG06-../DHE05LA4	8.0	570	-
0.18	197	8.7	3.0	7.01	BG06-../DHE05LA4	8.0	580	-
0.18	164	10.4	2.7	8.39	BG06-../DHE05LA4	8.0	600	-
0.18	147	11.6	2.6	9.38	BG06-../DHE05LA4	8.0	640	-
0.18	135	12.7	2.4	10.24	BG06-../DHE05LA4	8.0	640	-
0.18	122	14	2.3	11.28	BG06-../DHE05LA4	8.0	670	-
0.18	112	15.3	2.2	12.30	BG06-../DHE05LA4	8.0	670	-
0.18	106	16.2	2.0	12.98	BG06-../DHE05LA4	8.0	600	-
0.18	94	18.2	1.85	14.78	BG06-../DHE05LA4	8.0	730	-
0.18	86	19.9	1.75	16.13	BG06-../DHE05LA4	8.0	740	-

The torques marked (*) are maximum permissible torques for service factor f_B=1.0.

0.18 kW



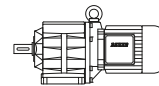
P _N [kW]	n ₂ [1/min]	50 Hz		i [:1]	Type	m [kg]	F _{RN} [N]	F _{RV} [N]
		M ₂ [Nm]	f _B [-]					
0.18	80	21	1.8	17.40	BG06-../DHE05LA4	8.0	760	-
0.18	73	23.5	1.7	18.98	BG06-../DHE05LA4	8.0	770	-
0.18	67	25.5	1.55	20.82	BG06-../DHE05LA4	8.0	800	-
0.18	61	28	1.55	22.71	BG06-../DHE05LA4	8.0	810	-
0.18	54	31.5	1.45	25.48	BG06-../DHE05LA4	8.0	850	-
0.18	49.5	34.5	1.3	27.80	BG06-../DHE05LA4	8.0	840	-
0.18	43	39.5	1.15	32.22	BG06-../DHE05LA4	8.0	890	-
0.18	39.5	43.5	1.05	35.15	BG06-../DHE05LA4	8.0	880	-
0.18	37.5	45.5	0.99	36.91	BG06-../DHE05LA4	8.0	890	-
0.18	34.5	49.5	0.91	40.26	BG06-../DHE05LA4	8.0	890	-
0.18	47.5	36	3.3	29.09	BG10-../DHE06LA4	13	1540	2150
0.18	43.5	39.5	3.0	31.52	BG10-../DHE06LA4	13	1600	2200
0.18	39.5	43.5	2.8	34.92	BG10-../DHE06LA4	13	1690	2350
0.18	35	49	2.4	39.70	BG10-../DHE06LA4	13	1780	2450
0.18	31.5	54	2.2	43.99	BG10-../DHE06LA4	13	1880	2600
0.18	29.5	58	2.1	46.55	BG10-../DHE06LA4	13	1920	2650
0.18	27	63	1.9	51.57	BG10-../DHE06LA4	13	2000	2800
0.18	24	71	1.7	57.48	BG10-../DHE06LA4	13	2000	2800
0.18	22	78	1.55	63.69	BG10-../DHE06LA4	13	2000	2800
0.18	21	81	1.5	66.00	BG10-../DHE06LA4	13	2000	2800
0.18	19	90	1.35	73.13	BG10-../DHE06LA4	13	2000	2800
0.18	18	95	1.25	77.40	BG10Z-../DHE06LA4	14	2000	2800
0.18	16	107	1.1	85.76	BG10Z-../DHE06LA4	14	2000	2800
0.18	15	114	1.05	92.19	BG10Z-../DHE06LA4	14	2000	2800
0.18	13.5	127	0.94	102.1	BG10Z-../DHE06LA4	14	2000	2800
0.18	12.5	137	0.88	109.8	BG10Z-../DHE06LA4	14	2000	2800
0.18	11.5	149	0.81	121.7	BG10Z-../DHE06LA4	14	2000	2800
0.18	36.5	47	3.2	37.90	BG15-../DHE06LA4	13	3000	6000
0.18	26	66	3.0	53.22	BG20-../DHE06LA4	16	4950	-
0.18	23.5	73	2.7	59.07	BG20-../DHE06LA4	16	5000	-
0.18	21	81	2.5	65.62	BG20-../DHE06LA4	16	5000	-
0.18	20.5	83	2.4	67.53	BG20Z-../DHE06LA4	16	5000	-
0.18	18.5	92	2.2	75.00	BG20Z-../DHE06LA4	16	5000	-
0.18	17.5	98	2.0	78.60	BG20Z-../DHE06LA4	16	5000	-
0.18	16	107	1.85	87.30	BG20Z-../DHE06LA4	16	5000	-
0.18	15	114	1.75	94.27	BG20Z-../DHE06LA4	16	5000	-
0.18	13.5	127	1.55	104.7	BG20Z-../DHE06LA4	16	5000	-
0.18	12.5	137	1.45	112.8	BG20Z-../DHE06LA4	16	5000	-
0.18	11	156	1.3	125.3	BG20Z-../DHE06LA4	16	5000	-
0.18	9.7	177	1.15	141.3	BG20Z-../DHE06LA4	16	5000	-
0.18	8.5	200	1.0	162.2	BG20Z-../DHE06LA4	16	5000	-
0.18	7.7	220	0.91	180.1	BG20Z-../DHE06LA4	16	5000	-
0.18	6.9	245	0.82	199.9	BG20Z-../DHE06LA4	16	5000	-
0.18	21	81	3.3	65.79	BG30Z-../DHE06LA4	22	6000	-
0.18	19	90	3.3	73.51	BG30Z-../DHE06LA4	22	6000	-
0.18	17	101	3.0	81.55	BG30Z-../DHE06LA4	22	6000	-
0.18	16	107	2.8	86.13	BG30Z-../DHE06LA4	22	6000	-
0.18	14.5	118	2.5	95.55	BG30Z-../DHE06LA4	22	6000	-
0.18	12.5	137	2.2	109.6	BG30Z-../DHE06LA4	22	6000	-
0.18	11.5	149	2.0	121.6	BG30Z-../DHE06LA4	22	6000	-
0.18	11	156	1.9	128.5	BG30Z-../DHE06LA4	22	6000	-
0.18	9.7	177	1.7	142.5	BG30Z-../DHE06LA4	22	6000	-
0.18	9.1	188	1.6	151.5	BG30Z-../DHE06LA4	22	6000	-
0.18	8.2	205	1.45	168.1	BG30Z-../DHE06LA4	22	6000	-
0.18	7.5	225	1.35	182.9	BG30Z-../DHE06LA4	22	6000	-
0.18	6.8	250	1.2	202.9	BG30Z-../DHE06LA4	22	6000	-
0.18	6.1	280	1.05	225.9	BG30Z-../DHE06LA4	22	6000	-
0.18	5.3	320	0.94	261.9	BG30Z-../DHE06LA4	22	6000	-
0.18	4.8	355	0.85	290.5	BG30Z-../DHE06LA4	22	6000	-
0.18	4.5	350	0.93	306.2	BG30G06-../DHE06LA4	25	6000	-
0.18	4.0	400	0.81	346.8	BG30G06-../DHE06LA4	25	6000	-
0.18	13	132	3.2	107.5	BG40Z-../DHE06LA4	38	7000	-
0.18	11.5	149	2.9	121.3	BG40Z-../DHE06LA4	38	7000	-
0.18	10.5	163	2.6	134.6	BG40Z-../DHE06LA4	38	7000	-
0.18	9.7	177	2.4	141.4	BG40Z-../DHE06LA4	38	7000	-

The torques marked (*) are maximum permissible torques for service factor f_B=1.0.

BG-series helical-geared motors

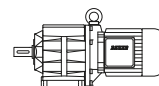
Selection helical-geared motors

0.18 kW



P _N [kW]	n ₂ [1/min]	50 Hz		i [:1]	Type	m [kg]	F _{RN} [N]	F _{RV} [N]
		M ₂ [Nm]	f _B [-]					
0.18	8.8	195	2.2	156.9	BG40Z-../DHE06LA4	38	7000	-
0.18	8.3	205	2.1	166.1	BG40Z-../DHE06LA4	38	7000	-
0.18	7.5	225	1.9	184.4	BG40Z-../DHE06LA4	38	7000	-
0.18	6.9	245	1.75	199.9	BG40Z-../DHE06LA4	38	7000	-
0.18	6.2	275	1.55	221.9	BG40Z-../DHE06LA4	38	7000	-
0.18	5.6	305	1.4	246.5	BG40Z-../DHE06LA4	38	7000	-
0.18	5.1	335	1.25	273.6	BG40Z-../DHE06LA4	38	7000	-
0.18	4.8	265	1.75	288.6	BG40G10-../DHE06LA4	43	7000	-
0.18	3.9	340	1.35	353.5	BG40G10-../DHE06LA4	43	7000	-
0.18	3.1	445	1.05	448.8	BG40G10-../DHE06LA4	43	7000	-
0.18	2.6	540	0.86	534.2	BG40G10-../DHE06LA4	43	7000	-
0.18	8.4	200	3.2	164.9	BG50Z-../DHE06LA4	47	10000	-
0.18	7.5	225	2.8	182.8	BG50Z-../DHE06LA4	47	10000	-
0.18	6.7	255	2.5	204.7	BG50Z-../DHE06LA4	47	10000	-
0.18	6.1	280	2.3	226.9	BG50Z-../DHE06LA4	47	10000	-
0.18	5.3	320	1.95	258.6	BG50Z-../DHE06LA4	47	10000	-
0.18	4.8	355	1.75	286.7	BG50Z-../DHE06LA4	47	10000	-
0.18	3.9	340	2.0	351.7	BG50G10-../DHE06LA4	51	10000	-
0.18	3.1	445	1.55	446.5	BG50G10-../DHE06LA4	51	10000	-
0.18	2.6	540	1.3	531.5	BG50G10-../DHE06LA4	51	10000	-
0.18	2.3	630	1.1	621.3	BG50G10-../DHE06LA4	51	10000	-
0.18	2.0	730	0.95	708.3	BG50G10-../DHE06LA4	51	10000	-
0.18	1.8	810	0.85	785.1	BG50G10-../DHE06LA4	51	10000	-
0.18	2.8	465	2.8	504.9	BG60G20-../DHE06LA4	100	16000	-
0.18	2.5	520	2.5	559.5	BG60G20-../DHE06LA4	100	16000	-
0.18	2.2	610	2.1	651.3	BG60G20-../DHE06LA4	100	16000	-
0.18	1.8	750	1.75	804.5	BG60G20-../DHE06LA4	100	16000	-
0.18	1.6	840	1.55	891.5	BG60G20-../DHE06LA4	100	16000	-
0.18	1.4	980	1.35	1051	BG60G20-../DHE06LA4	100	16000	-
0.18	1.2	1180	1.1	1168	BG60G20-../DHE06LA4	100	16000	-
0.18	1.1	1290	1.0	1346	BG60G20-../DHE06LA4	100	16000	-
0.18	1.8	750	3.3	790.2	BG70G20-../DHE06LA4	130	20000	-
0.18	1.6	860	2.9	877.6	BG70G20-../DHE06LA4	130	20000	-
0.18	1.4	1000	2.5	1035	BG70G20-../DHE06LA4	130	20000	-
0.18	1.2	1190	2.1	1193	BG70G20-../DHE06LA4	130	20000	-
0.18	1.0	1470	1.7	1389	BG70G20-../DHE06LA4	130	20000	-
0.18	0.9	1670	1.5	1543	BG70G20-../DHE06LA4	130	20000	-
0.18	0.85	1780	1.4	1666	BG70G20-../DHE06LA4	130	20000	-
0.18	0.7	2200	1.15	1994	BG70G20-../DHE06LA4	130	20000	-
0.18	0.65	2400	1.05	2215	BG70G20-../DHE06LA4	130	20000	-

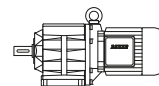
0.25 kW



P _N [kW]	n ₂ [1/min]	50 Hz		i [:1]	Type	m [kg]	F _{RN} [N]	F _{RV} [N]
		M ₂ [Nm]	f _B [-]					
0.25	530	4.5	2.0	2.64	BG05-../DHE07LA4	11	420	-
0.25	410	5.8	1.7	3.38	BG05-../DHE07LA4	11	460	-
0.25	300	7.9	1.5	4.59	BG05-../DHE07LA4	11	490	-
0.25	255	9.3	1.5	5.46	BG05-../DHE07LA4	11	490	-
0.25	230	10.3	1.65	6.09	BG05-../DHE07LA4	11	480	-
0.25	210	11.3	1.5	6.64	BG05-../DHE07LA4	11	500	-
0.25	177	13.4	1.35	7.80	BG05-../DHE07LA4	11	530	-
0.25	169	14.1	1.3	8.15	BG05-../DHE07LA4	11	510	-
0.25	162	14.7	1.3	8.51	BG05-../DHE07LA4	11	550	-
0.25	133	17.9	1.05	10.40	BG05-../DHE07LA4	11	510	-
0.25	130	18.3	1.1	10.59	BG05-../DHE07LA4	11	590	-
0.25	120	19.8	1.05	11.55	BG05-../DHE07LA4	11	600	-
0.25	115	20.5	1.0	12.05	BG05-../DHE07LA4	11	510	-
0.25	110	21.5	1.0	12.60	BG05-../DHE07LA4	11	610	-
0.25	100	23.5	0.98	13.75	BG05-../DHE07LA4	11	630	-
0.25	91	26	0.92	15.23	BG05-../DHE07LA4	11	640	-
0.25	83	28.5	0.88	16.62	BG05-../DHE07LA4	11	660	-

The torques marked (*) are maximum permissible torques for service factor f_B=1.0.

0.25 kW



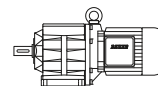
P _N [kW]	n ₂ [1/min]	50 Hz		i [:1]	Type	m [kg]	F _{RN} [N]	F _{RV} [N]
		M ₂ [Nm]	f _B [-]					
0.25	74	32	0.81	18.82	BG05-../DHE07LA4	11	680	-
0.25	365	6.5	3.1	3.78	BG06-../DHE07LA4	12	520	-
0.25	305	7.8	2.8	4.54	BG06-../DHE07LA4	12	530	-
0.25	235	10.1	2.4	5.96	BG06-../DHE07LA4	12	570	-
0.25	197	12.1	2.1	7.01	BG06-../DHE07LA4	12	580	-
0.25	164	14.5	1.95	8.39	BG06-../DHE07LA4	12	600	-
0.25	147	16.2	1.85	9.38	BG06-../DHE07LA4	12	640	-
0.25	135	17.6	1.75	10.24	BG06-../DHE07LA4	12	640	-
0.25	122	19.5	1.65	11.28	BG06-../DHE07LA4	12	670	-
0.25	112	21	1.55	12.30	BG06-../DHE07LA4	12	670	-
0.25	106	22.5	1.45	12.98	BG06-../DHE07LA4	12	600	-
0.25	94	25	1.35	14.78	BG06-../DHE07LA4	12	730	-
0.25	86	27.5	1.25	16.13	BG06-../DHE07LA4	12	740	-
0.25	80	29.5	1.3	17.40	BG06-../DHE07LA4	12	760	-
0.25	73	32.5	1.25	18.98	BG06-../DHE07LA4	12	770	-
0.25	67	35.5	1.15	20.82	BG06-../DHE07LA4	12	800	-
0.25	61	39	1.1	22.71	BG06-../DHE07LA4	12	810	-
0.25	54	44	1.0	25.48	BG06-../DHE07LA4	12	850	-
0.25	49.5	48	0.94	27.80	BG06-../DHE07LA4	12	840	-
0.25	43	55	0.82	32.22	BG06-../DHE07LA4	12	890	-
0.25	63	37.5	3.2	22.04	BG10-../DHE07LA4	15	1330	1860
0.25	57	41.5	2.9	24.42	BG10-../DHE07LA4	15	1410	1970
0.25	53	45	2.7	26.26	BG10-../DHE07LA4	15	1460	2000
0.25	47.5	50	2.4	29.09	BG10-../DHE07LA4	15	1540	2150
0.25	44	54	2.2	31.52	BG10-../DHE07LA4	15	1600	2200
0.25	39.5	60	2.0	34.92	BG10-../DHE07LA4	15	1690	2350
0.25	35	68	1.75	39.70	BG10-../DHE07LA4	15	1780	2450
0.25	31.5	75	1.6	43.99	BG10-../DHE07LA4	15	1880	2600
0.25	30	79	1.5	46.55	BG10-../DHE07LA4	15	1920	2650
0.25	27	88	1.35	51.57	BG10-../DHE07LA4	15	2000	2800
0.25	24	99	1.2	57.48	BG10-../DHE07LA4	15	2000	2800
0.25	22	108	1.1	63.69	BG10-../DHE07LA4	15	2000	2800
0.25	21	113	1.05	66.00	BG10-../DHE07LA4	15	2000	2800
0.25	19	125	0.96	73.13	BG10-../DHE07LA4	15	2000	2800
0.25	18	132	0.91	77.40	BG10Z-../DHE07LA4	16	2000	2800
0.25	16.5	144	0.83	85.76	BG10Z-../DHE07LA4	16	2000	2800
0.25	51	46.5	3.2	27.08	BG15-../DHE07LA4	15	3000	6000
0.25	46	51	2.9	30.08	BG15-../DHE07LA4	15	3000	6000
0.25	40.5	58	2.6	34.20	BG15-../DHE07LA4	15	3000	6000
0.25	36.5	65	2.3	37.90	BG15-../DHE07LA4	15	3000	6000
0.25	37.5	63	3.2	37.02	BG20-../DHE07LA4	18	4300	-
0.25	33	72	2.8	41.76	BG20-../DHE07LA4	18	4500	-
0.25	30	79	2.5	46.38	BG20-../DHE07LA4	18	4700	-
0.25	29	82	2.4	47.92	BG20-../DHE07LA4	18	4750	-
0.25	26	91	2.2	53.22	BG20-../DHE07LA4	18	4950	-
0.25	23.5	101	2.0	59.07	BG20-../DHE07LA4	18	5000	-
0.25	21	113	1.75	65.62	BG20-../DHE07LA4	18	5000	-
0.25	20.5	116	1.7	67.53	BG20Z-../DHE07LA4	19	5000	-
0.25	18.5	129	1.55	75.00	BG20Z-../DHE07LA4	19	5000	-
0.25	17.5	136	1.45	78.60	BG20Z-../DHE07LA4	19	5000	-
0.25	16	149	1.35	87.30	BG20Z-../DHE07LA4	19	5000	-
0.25	15	159	1.25	94.27	BG20Z-../DHE07LA4	19	5000	-
0.25	13.5	176	1.15	104.7	BG20Z-../DHE07LA4	19	5000	-
0.25	12.5	191	1.05	112.8	BG20Z-../DHE07LA4	19	5000	-
0.25	11	215	0.93	125.3	BG20Z-../DHE07LA4	19	5000	-
0.25	9.8	240	0.83	141.3	BG20Z-../DHE07LA4	19	5000	-
0.25	26.5	90	3.3	52.44	BG30-../DHE07LA4	22	6000	-
0.25	24	99	3.0	58.18	BG30-../DHE07LA4	22	6000	-
0.25	23	103	2.9	60.79	BG30-../DHE07LA4	22	6000	-
0.25	20.5	116	2.6	67.44	BG30-../DHE07LA4	22	6000	-
0.25	19	125	2.4	73.51	BG30Z-../DHE07LA4	25	6000	-
0.25	17	140	2.1	81.55	BG30Z-../DHE07LA4	25	6000	-
0.25	16	149	2.0	86.13	BG30Z-../DHE07LA4	25	6000	-
0.25	14.5	164	1.85	95.55	BG30Z-../DHE07LA4	25	6000	-
0.25	13	183	1.65	109.6	BG30Z-../DHE07LA4	25	6000	-

The torques marked (*) are maximum permissible torques for service factor f_B=1.0.

BG-series helical-geared motors

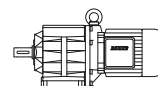
Selection helical-geared motors

0.25 kW



P _N [kW]	n ₂ [1/min]	50 Hz		i [:1]	Type	m [kg]	F _{RN} [N]	F _{RV} [N]
		M ₂ [Nm]	f _B [—]					
0.25	11.5	205	1.45	121.6	BG30Z-../DHE07LA4	25	6000	-
0.25	11	215	1.4	128.5	BG30Z-../DHE07LA4	25	6000	-
0.25	9.7	245	1.2	142.5	BG30Z-../DHE07LA4	25	6000	-
0.25	9.1	260	1.15	151.5	BG30Z-../DHE07LA4	25	6000	-
0.25	8.2	290	1.05	168.1	BG30Z-../DHE07LA4	25	6000	-
0.25	7.6	310	0.97	182.9	BG30Z-../DHE07LA4	25	6000	-
0.25	6.8	350	0.86	202.9	BG30Z-../DHE07LA4	25	6000	-
0.25	18.5	129	3.3	75.19	BG40Z-../DHE07LA4	40	7000	-
0.25	17	140	3.0	82.00	BG40Z-../DHE07LA4	40	7000	-
0.25	15.5	154	2.8	91.02	BG40Z-../DHE07LA4	40	7000	-
0.25	14.5	164	2.6	96.86	BG40Z-../DHE07LA4	40	7000	-
0.25	13	183	2.3	107.5	BG40Z-../DHE07LA4	40	7000	-
0.25	11.5	205	2.1	121.3	BG40Z-../DHE07LA4	40	7000	-
0.25	10.5	225	1.9	134.6	BG40Z-../DHE07LA4	40	7000	-
0.25	9.8	240	1.75	141.4	BG40Z-../DHE07LA4	40	7000	-
0.25	8.8	270	1.55	156.9	BG40Z-../DHE07LA4	40	7000	-
0.25	8.3	285	1.5	166.1	BG40Z-../DHE07LA4	40	7000	-
0.25	7.5	315	1.35	184.4	BG40Z-../DHE07LA4	40	7000	-
0.25	6.9	345	1.25	199.9	BG40Z-../DHE07LA4	40	7000	-
0.25	6.2	385	1.1	221.9	BG40Z-../DHE07LA4	40	7000	-
0.25	5.6	425	1.0	246.5	BG40Z-../DHE07LA4	40	7000	-
0.25	5.1	465	0.91	273.6	BG40Z-../DHE07LA4	40	7000	-
0.25	4.8	405	1.15	288.6	BG40G10-../DHE07LA4	46	7000	-
0.25	3.9	510	0.91	353.5	BG40G10-../DHE07LA4	46	7000	-
0.25	11	215	2.9	128.9	BG50Z-../DHE07LA4	50	10000	-
0.25	9.7	245	2.6	142.9	BG50Z-../DHE07LA4	50	10000	-
0.25	8.4	280	2.3	164.9	BG50Z-../DHE07LA4	50	10000	-
0.25	7.6	310	2.0	182.8	BG50Z-../DHE07LA4	50	10000	-
0.25	6.8	350	1.8	204.7	BG50Z-../DHE07LA4	50	10000	-
0.25	6.1	390	1.6	226.9	BG50Z-../DHE07LA4	50	10000	-
0.25	5.4	440	1.45	258.6	BG50Z-../DHE07LA4	50	10000	-
0.25	4.8	495	1.25	286.7	BG50Z-../DHE07LA4	50	10000	-
0.25	4.0	495	1.4	351.7	BG50G10-../DHE07LA4	54	10000	-
0.25	3.1	660	1.05	446.5	BG50G10-../DHE07LA4	54	10000	-
0.25	2.6	800	0.86	531.5	BG50G10-../DHE07LA4	54	10000	-
0.25	4.5	400	3.3	306.1	BG60G20-../DHE07LA4	102	16000	-
0.25	4.2	425	3.1	334.3	BG60G20-../DHE07LA4	102	16000	-
0.25	3.8	470	2.8	370.5	BG60G20-../DHE07LA4	102	16000	-
0.25	3.2	580	2.2	437.3	BG60G20-../DHE07LA4	102	16000	-
0.25	2.8	700	1.85	504.9	BG60G20-../DHE07LA4	102	16000	-
0.25	2.5	790	1.65	559.5	BG60G20-../DHE07LA4	102	16000	-
0.25	2.2	920	1.4	651.3	BG60G20-../DHE07LA4	102	16000	-
0.25	1.8	1120	1.15	804.5	BG60G20-../DHE07LA4	102	16000	-
0.25	1.6	1260	1.05	891.5	BG60G20-../DHE07LA4	102	16000	-
0.25	1.4	1460	0.89	1051	BG60G20-../DHE07LA4	102	16000	-
0.25	2.4	840	3.0	577.3	BG70G20-../DHE07LA4	132	20000	-
0.25	2.1	960	2.6	665.8	BG70G20-../DHE07LA4	132	20000	-
0.25	1.8	1120	2.2	790.2	BG70G20-../DHE07LA4	132	20000	-
0.25	1.6	1280	1.95	877.6	BG70G20-../DHE07LA4	132	20000	-
0.25	1.4	1480	1.7	1035	BG70G20-../DHE07LA4	132	20000	-
0.25	1.2	1750	1.45	1193	BG70G20-../DHE07LA4	132	20000	-
0.25	1.0	2100	1.2	1389	BG70G20-../DHE07LA4	132	20000	-
0.25	0.9	2400	1.05	1543	BG70G20-../DHE07LA4	132	20000	-

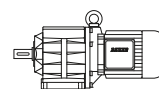
0.3 kW



P _N [kW]	n ₂ [1/min]	50 Hz		i [:1]	Type	m [kg]	F _{RN} [N]	F _{RV} [N]
		M ₂ [Nm]	f _B [—]					
0.3	520	5.5	1.65	2.64	BG05-../DHE07LA4	11	420	-
0.3	405	7.0	1.45	3.38	BG05-../DHE07LA4	11	460	-
0.3	300	9.5	1.25	4.59	BG05-../DHE07LA4	11	490	-

The torques marked (*) are maximum permissible torques for service factor f_B=1.0.

0.3 kW



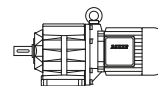
P _N [kW]	n ₂ [1/min]	50 Hz		i [:1]	Type	m [kg]	F _{RN} [N]	F _{RV} [N]
		M ₂ [Nm]	f _B [-]					
0.3	250	11.4	1.25	5.46	BG05-../DHE07LA4	11	490	-
0.3	225	12.7	1.35	6.09	BG05-../DHE07LA4	11	480	-
0.3	210	13.6	1.2	6.60	BG05-../DHE07LA4	11	510	-
0.3	205	13.9	1.2	6.64	BG05-../DHE07LA4	11	500	-
0.3	175	16.3	1.1	7.80	BG05-../DHE07LA4	11	530	-
0.3	167	17.1	1.05	8.15	BG05-../DHE07LA4	11	510	-
0.3	160	17.9	1.05	8.51	BG05-../DHE07LA4	11	550	-
0.3	129	22	0.91	10.59	BG05-../DHE07LA4	11	590	-
0.3	118	24	0.88	11.55	BG05-../DHE07LA4	11	600	-
0.3	113	25	0.84	12.05	BG05-../DHE07LA4	11	510	-
0.3	108	26.5	0.83	12.60	BG05-../DHE07LA4	11	610	-
0.3	99	28.5	0.81	13.75	BG05-../DHE07LA4	11	630	-
0.3	360	7.9	2.5	3.78	BG06-../DHE07LA4	12	520	-
0.3	300	9.5	2.3	4.54	BG06-../DHE07LA4	12	530	-
0.3	230	12.4	1.95	5.96	BG06-../DHE07LA4	12	570	-
0.3	195	14.6	1.8	7.01	BG06-../DHE07LA4	12	580	-
0.3	163	17.5	1.6	8.39	BG06-../DHE07LA4	12	600	-
0.3	145	19.7	1.5	9.38	BG06-../DHE07LA4	12	640	-
0.3	133	21.5	1.45	10.24	BG06-../DHE07LA4	12	640	-
0.3	121	23.5	1.35	11.28	BG06-../DHE07LA4	12	670	-
0.3	111	25.5	1.3	12.30	BG06-../DHE07LA4	12	670	-
0.3	105	27	1.2	12.98	BG06-../DHE07LA4	12	600	-
0.3	93	30.5	1.1	14.78	BG06-../DHE07LA4	12	730	-
0.3	85	33.5	1.05	16.13	BG06-../DHE07LA4	12	740	-
0.3	79	36	1.05	17.40	BG06-../DHE07LA4	12	760	-
0.3	72	39.5	1.0	18.98	BG06-../DHE07LA4	12	770	-
0.3	66	43	0.93	20.82	BG06-../DHE07LA4	12	800	-
0.3	60	47.5	0.91	22.71	BG06-../DHE07LA4	12	810	-
0.3	54	53	0.85	25.48	BG06-../DHE07LA4	12	850	-
0.3	74	38.5	3.1	18.51	BG10-../DHE07LA4	15	1210	1690
0.3	67	42.5	2.8	20.51	BG10-../DHE07LA4	15	1290	1800
0.3	62	46	2.6	22.04	BG10-../DHE07LA4	15	1330	1860
0.3	56	51	2.4	24.42	BG10-../DHE07LA4	15	1410	1970
0.3	52	55	2.2	26.26	BG10-../DHE07LA4	15	1460	2000
0.3	47	60	2.0	29.09	BG10-../DHE07LA4	15	1540	2150
0.3	43.5	65	1.85	31.52	BG10-../DHE07LA4	15	1600	2200
0.3	39	73	1.65	34.92	BG10-../DHE07LA4	15	1690	2350
0.3	34.5	83	1.45	39.70	BG10-../DHE07LA4	15	1780	2450
0.3	31	92	1.3	43.99	BG10-../DHE07LA4	15	1880	2600
0.3	29.5	97	1.25	46.55	BG10-../DHE07LA4	15	1920	2650
0.3	26.5	108	1.1	51.57	BG10-../DHE07LA4	15	2000	2800
0.3	24	119	1.0	57.48	BG10-../DHE07LA4	15	2000	2800
0.3	21	136	0.88	66.00	BG10-../DHE07LA4	15	2000	2800
0.3	19	150	0.8	73.13	BG10-../DHE07LA4	15	2000	2800
0.3	51	56	2.7	27.08	BG15-../DHE07LA4	15	3000	6000
0.3	45.5	62	2.4	30.08	BG15-../DHE07LA4	15	3000	6000
0.3	40	71	2.1	34.20	BG15-../DHE07LA4	15	3000	6000
0.3	36	79	1.9	37.90	BG15-../DHE07LA4	15	3000	6000
0.3	44	65	3.1	30.94	BG20-../DHE07LA4	18	4000	-
0.3	41	69	2.9	33.33	BG20-../DHE07LA4	18	4100	-
0.3	37	77	2.6	37.02	BG20-../DHE07LA4	18	4300	-
0.3	33	86	2.3	41.76	BG20-../DHE07LA4	18	4500	-
0.3	29.5	97	2.1	46.38	BG20-../DHE07LA4	18	4700	-
0.3	28.5	100	2.0	47.92	BG20-../DHE07LA4	18	4750	-
0.3	26	110	1.8	53.22	BG20-../DHE07LA4	18	4950	-
0.3	23.5	121	1.65	59.07	BG20-../DHE07LA4	18	5000	-
0.3	21	136	1.45	65.62	BG20-../DHE07LA4	18	5000	-
0.3	20.5	139	1.45	67.53	BG20Z-../DHE07LA4	19	5000	-
0.3	18.5	154	1.3	75.00	BG20Z-../DHE07LA4	19	5000	-
0.3	17.5	163	1.25	78.60	BG20Z-../DHE07LA4	19	5000	-
0.3	16	179	1.1	87.30	BG20Z-../DHE07LA4	19	5000	-
0.3	14.5	197	1.0	94.27	BG20Z-../DHE07LA4	19	5000	-
0.3	13	220	0.91	104.7	BG20Z-../DHE07LA4	19	5000	-
0.3	12.5	225	0.89	112.8	BG20Z-../DHE07LA4	19	5000	-
0.3	29	98	3.1	47.11	BG30-../DHE07LA4	22	6000	-

The torques marked (*) are maximum permissible torques for service factor f_B=1.0.

BG-series helical-geared motors

Selection helical-geared motors

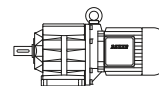
0.3 kW



P _N [kW]	n ₂ [1/min]	50 Hz		i [:1]	Type	m [kg]	F _{RN} [N]	F _{RV} [N]
		M ₂ [Nm]	f _B [-]					
0.3	26	110	2.7	52.44	BG30-../DHE07LA4	22	6000	-
0.3	23.5	121	2.5	58.18	BG30-../DHE07LA4	22	6000	-
0.3	22.5	127	2.4	60.79	BG30-../DHE07LA4	22	6000	-
0.3	20.5	139	2.2	67.44	BG30-../DHE07LA4	22	6000	-
0.3	19	150	2.0	73.51	BG30Z-../DHE07LA4	25	6000	-
0.3	17	168	1.8	81.55	BG30Z-../DHE07LA4	25	6000	-
0.3	16	179	1.7	86.13	BG30Z-../DHE07LA4	25	6000	-
0.3	14.5	197	1.5	95.55	BG30Z-../DHE07LA4	25	6000	-
0.3	12.5	225	1.35	109.6	BG30Z-../DHE07LA4	25	6000	-
0.3	11.5	245	1.2	121.6	BG30Z-../DHE07LA4	25	6000	-
0.3	11	260	1.15	128.5	BG30Z-../DHE07LA4	25	6000	-
0.3	9.6	295	1.0	142.5	BG30Z-../DHE07LA4	25	6000	-
0.3	9.0	315	0.95	151.5	BG30Z-../DHE07LA4	25	6000	-
0.3	8.1	350	0.86	168.1	BG30Z-../DHE07LA4	25	6000	-
0.3	20.5	139	3.1	67.74	BG40Z-../DHE07LA4	40	7000	-
0.3	18.5	154	2.8	75.19	BG40Z-../DHE07LA4	40	7000	-
0.3	17	168	2.5	82.00	BG40Z-../DHE07LA4	40	7000	-
0.3	14.5	197	2.2	96.86	BG40Z-../DHE07LA4	40	7000	-
0.3	13	220	1.95	107.5	BG40Z-../DHE07LA4	40	7000	-
0.3	11.5	245	1.75	121.3	BG40Z-../DHE07LA4	40	7000	-
0.3	10.5	270	1.55	134.6	BG40Z-../DHE07LA4	40	7000	-
0.3	9.7	295	1.45	141.4	BG40Z-../DHE07LA4	40	7000	-
0.3	8.7	325	1.3	156.9	BG40Z-../DHE07LA4	40	7000	-
0.3	8.2	345	1.25	166.1	BG40Z-../DHE07LA4	40	7000	-
0.3	7.4	385	1.1	184.4	BG40Z-../DHE07LA4	40	7000	-
0.3	6.9	415	1.0	199.9	BG40Z-../DHE07LA4	40	7000	-
0.3	6.2	460	0.92	221.9	BG40Z-../DHE07LA4	40	7000	-
0.3	5.6	510	0.83	246.5	BG40Z-../DHE07LA4	40	7000	-
0.3	4.8	500	0.93	288.6	BG40G10-../DHE07LA4	46	7000	-
0.3	14.5	197	3.2	95.58	BG50Z-../DHE07LA4	50	10000	-
0.3	13	220	2.9	106.0	BG50Z-../DHE07LA4	50	10000	-
0.3	11	260	2.4	128.9	BG50Z-../DHE07LA4	50	10000	-
0.3	9.6	295	2.1	142.9	BG50Z-../DHE07LA4	50	10000	-
0.3	8.3	345	1.85	164.9	BG50Z-../DHE07LA4	50	10000	-
0.3	7.5	380	1.65	182.8	BG50Z-../DHE07LA4	50	10000	-
0.3	6.7	425	1.5	204.7	BG50Z-../DHE07LA4	50	10000	-
0.3	6.0	475	1.35	226.9	BG50Z-../DHE07LA4	50	10000	-
0.3	5.3	540	1.15	258.6	BG50Z-../DHE07LA4	50	10000	-
0.3	4.8	590	1.05	286.7	BG50Z-../DHE07LA4	50	10000	-
0.3	3.9	630	1.1	351.7	BG50G10-../DHE07LA4	54	10000	-
0.3	3.1	810	0.85	446.5	BG50G10-../DHE07LA4	54	10000	-
0.3	5.0	455	2.9	276.2	BG60G20-../DHE07LA4	102	16000	-
0.3	4.5	500	2.6	306.1	BG60G20-../DHE07LA4	102	16000	-
0.3	4.1	550	2.4	334.3	BG60G20-../DHE07LA4	102	16000	-
0.3	3.7	610	2.1	370.5	BG60G20-../DHE07LA4	102	16000	-
0.3	3.2	730	1.8	437.3	BG60G20-../DHE07LA4	102	16000	-
0.3	2.7	910	1.45	504.9	BG60G20-../DHE07LA4	102	16000	-
0.3	2.5	980	1.35	559.5	BG60G20-../DHE07LA4	102	16000	-
0.3	2.1	1190	1.1	651.3	BG60G20-../DHE07LA4	102	16000	-
0.3	1.7	1480	0.88	804.5	BG60G20-../DHE07LA4	102	16000	-
0.3	1.6	1560	0.83	891.5	BG60G20-../DHE07LA4	102	16000	-
0.3	2.8	870	2.9	495.9	BG70G20-../DHE07LA4	132	20000	-
0.3	2.4	1040	2.4	577.3	BG70G20-../DHE07LA4	132	20000	-
0.3	2.1	1190	2.1	665.8	BG70G20-../DHE07LA4	132	20000	-
0.3	1.8	1390	1.8	790.2	BG70G20-../DHE07LA4	132	20000	-
0.3	1.6	1580	1.6	877.6	BG70G20-../DHE07LA4	132	20000	-
0.3	1.4	1820	1.35	1035	BG70G20-../DHE07LA4	132	20000	-
0.3	1.2	2150	1.15	1193	BG70G20-../DHE07LA4	132	20000	-
0.3	1.0	2600	0.96	1389	BG70G20-../DHE07LA4	132	20000	-

The torques marked (*) are maximum permissible torques for service factor f_B=1.0.

0.37 kW



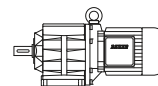
P _N [kW]	n ₂ [1/min]	50 Hz		i [:1]	Type	m [kg]	F _{RN} [N]	F _{RV} [N]
		M ₂ [Nm]	f _B [-]					
0.37	510	6.9	2.6	2.82	BG06-../DHE08MA4	16	470	-
0.37	380	9.2	2.2	3.78	BG06-../DHE08MA4	16	520	-
0.37	315	11.2	1.95	4.54	BG06-../DHE08MA4	16	530	-
0.37	240	14.7	1.65	5.96	BG06-../DHE08MA4	16	570	-
0.37	205	17.2	1.5	7.01	BG06-../DHE08MA4	16	580	-
0.37	187	18.8	1.5	7.65	BG06-../DHE08MA4	16	580	-
0.37	171	20.5	1.35	8.39	BG06-../DHE08MA4	16	600	-
0.37	153	23	1.3	9.38	BG06-../DHE08MA4	16	640	-
0.37	140	25	1.25	10.24	BG06-../DHE08MA4	16	640	-
0.37	127	27.5	1.15	11.28	BG06-../DHE08MA4	16	670	-
0.37	117	30	1.1	12.30	BG06-../DHE08MA4	16	670	-
0.37	111	31.5	1.05	12.98	BG06-../DHE08MA4	16	600	-
0.37	97	36	0.94	14.78	BG06-../DHE08MA4	16	730	-
0.37	89	39.5	0.89	16.13	BG06-../DHE08MA4	16	740	-
0.37	83	42.5	0.89	17.40	BG06-../DHE08MA4	16	760	-
0.37	76	46	0.87	18.98	BG06-../DHE08MA4	16	770	-
0.37	99	35.5	3.2	14.58	BG10-../DHE08MA4	16	1100	1540
0.37	89	39.5	3.0	16.15	BG10-../DHE08MA4	16	1140	1590
0.37	78	45	2.7	18.51	BG10-../DHE08MA4	16	1210	1690
0.37	70	50	2.4	20.51	BG10-../DHE08MA4	16	1290	1800
0.37	65	54	2.2	22.04	BG10-../DHE08MA4	16	1330	1860
0.37	59	59	2.0	24.42	BG10-../DHE08MA4	16	1410	1970
0.37	55	64	1.9	26.26	BG10-../DHE08MA4	16	1460	2000
0.37	49.5	71	1.7	29.09	BG10-../DHE08MA4	16	1540	2150
0.37	45.5	77	1.55	31.52	BG10-../DHE08MA4	16	1600	2200
0.37	41	86	1.4	34.92	BG10-../DHE08MA4	16	1690	2350
0.37	36.5	96	1.25	39.70	BG10-../DHE08MA4	16	1780	2450
0.37	33	107	1.1	43.99	BG10-../DHE08MA4	16	1880	2600
0.37	31	113	1.05	46.55	BG10-../DHE08MA4	16	1920	2650
0.37	28	126	0.95	51.57	BG10-../DHE08MA4	16	2000	2800
0.37	25	141	0.85	57.48	BG10-../DHE08MA4	16	2000	2800
0.37	53	66	2.3	27.08	BG15-../DHE08MA4	16	3000	6000
0.37	48	73	2.1	30.08	BG15-../DHE08MA4	16	3000	6000
0.37	42	84	1.8	34.20	BG15-../DHE08MA4	16	3000	6000
0.37	38	92	1.65	37.90	BG15-../DHE08MA4	16	3000	6000
0.37	56	63	3.2	25.79	BG20-../DHE08MA4	19	3700	-
0.37	52	67	3.0	27.85	BG20-../DHE08MA4	19	3800	-
0.37	46.5	75	2.7	30.94	BG20-../DHE08MA4	19	4000	-
0.37	43	82	2.4	33.33	BG20-../DHE08MA4	19	4100	-
0.37	39	90	2.2	37.02	BG20-../DHE08MA4	19	4300	-
0.37	34.5	102	1.95	41.76	BG20-../DHE08MA4	19	4500	-
0.37	31	113	1.75	46.38	BG20-../DHE08MA4	19	4700	-
0.37	30	117	1.7	47.92	BG20-../DHE08MA4	19	4750	-
0.37	27	130	1.55	53.22	BG20-../DHE08MA4	19	4950	-
0.37	24.5	144	1.4	59.07	BG20-../DHE08MA4	19	5000	-
0.37	22	160	1.25	65.62	BG20-../DHE08MA4	19	5000	-
0.37	21.5	164	1.2	67.53	BG20Z-../DHE08MA4	20	5000	-
0.37	19.5	181	1.1	75.00	BG20Z-../DHE08MA4	20	5000	-
0.37	18.5	191	1.05	78.60	BG20Z-../DHE08MA4	20	5000	-
0.37	16.5	210	0.95	87.30	BG20Z-../DHE08MA4	20	5000	-
0.37	15.5	225	0.89	94.27	BG20Z-../DHE08MA4	20	5000	-
0.37	14	250	0.8	104.7	BG20Z-../DHE08MA4	20	5000	-
0.37	37	95	3.2	39.02	BG30-../DHE08MA4	23	5800	-
0.37	34	103	2.9	42.46	BG30-../DHE08MA4	23	5900	-
0.37	30.5	115	2.6	47.11	BG30-../DHE08MA4	23	6000	-
0.37	27.5	128	2.3	52.44	BG30-../DHE08MA4	23	6000	-
0.37	25	141	2.1	58.18	BG30-../DHE08MA4	23	6000	-
0.37	24	147	2.0	60.79	BG30-../DHE08MA4	23	6000	-
0.37	21.5	164	1.85	67.44	BG30-../DHE08MA4	23	6000	-
0.37	19.5	181	1.65	73.51	BG30Z-../DHE08MA4	26	6000	-
0.37	18	196	1.55	81.55	BG30Z-../DHE08MA4	26	6000	-
0.37	17	205	1.45	86.13	BG30Z-../DHE08MA4	26	6000	-
0.37	15	235	1.3	95.55	BG30Z-../DHE08MA4	26	6000	-
0.37	13.5	260	1.15	109.6	BG30Z-../DHE08MA4	26	6000	-
0.37	12	290	1.05	121.6	BG30Z-../DHE08MA4	26	6000	-
0.37	11.5	305	0.98	128.5	BG30Z-../DHE08MA4	26	6000	-

The torques marked (*) are maximum permissible torques for service factor f_B=1.0.

BG-series helical-geared motors

Selection helical-geared motors

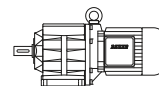
0.37 kW



P _N [kW]	n ₂ [1/min]	50 Hz		i [:1]	Type	m [kg]	F _{RN} [N]	F _{RV} [N]
		M ₂ [Nm]	f _B [-]					
0.37	10.5	335	0.9	142.5	BG30Z-../DHE08MA4	26	6000	-
0.37	9.5	370	0.81	151.5	BG30Z-../DHE08MA4	26	6000	-
0.37	27	130	3.3	53.69	BG40-../DHE08MA4	38	7000	-
0.37	24	147	2.9	59.64	BG40-../DHE08MA4	38	7000	-
0.37	22	160	2.7	66.20	BG40-../DHE08MA4	38	7000	-
0.37	21.5	164	2.6	67.74	BG40Z-../DHE08MA4	42	7000	-
0.37	19.5	181	2.3	75.19	BG40Z-../DHE08MA4	42	7000	-
0.37	17.5	200	2.1	82.00	BG40Z-../DHE08MA4	42	7000	-
0.37	16	220	1.95	91.02	BG40Z-../DHE08MA4	42	7000	-
0.37	15	235	1.8	96.86	BG40Z-../DHE08MA4	42	7000	-
0.37	13.5	260	1.65	107.5	BG40Z-../DHE08MA4	42	7000	-
0.37	12	290	1.45	121.3	BG40Z-../DHE08MA4	42	7000	-
0.37	11	320	1.35	134.6	BG40Z-../DHE08MA4	42	7000	-
0.37	10.5	335	1.25	141.4	BG40Z-../DHE08MA4	42	7000	-
0.37	9.2	380	1.1	156.9	BG40Z-../DHE08MA4	42	7000	-
0.37	8.7	405	1.05	166.1	BG40Z-../DHE08MA4	42	7000	-
0.37	7.8	450	0.94	184.4	BG40Z-../DHE08MA4	42	7000	-
0.37	7.2	490	0.87	199.9	BG40Z-../DHE08MA4	42	7000	-
0.37	18	196	3.2	79.78	BG50Z-../DHE08MA4	51	10000	-
0.37	15	235	2.7	95.58	BG50Z-../DHE08MA4	51	10000	-
0.37	13.5	260	2.4	106.0	BG50Z-../DHE08MA4	51	10000	-
0.37	11.5	305	2.1	128.9	BG50Z-../DHE08MA4	51	10000	-
0.37	10.5	335	1.9	142.9	BG50Z-../DHE08MA4	51	10000	-
0.37	8.7	405	1.55	164.9	BG50Z-../DHE08MA4	51	10000	-
0.37	7.9	445	1.4	182.8	BG50Z-../DHE08MA4	51	10000	-
0.37	7.0	500	1.25	204.7	BG50Z-../DHE08MA4	51	10000	-
0.37	6.4	550	1.15	226.9	BG50Z-../DHE08MA4	51	10000	-
0.37	5.6	630	1.0	258.6	BG50Z-../DHE08MA4	51	10000	-
0.37	5.0	700	0.9	286.7	BG50Z-../DHE08MA4	51	10000	-
0.37	4.1	760	0.91	351.7	BG50G10-../DHE08MA4	55	10000	-
0.37	9.1	385	3.1	158.0	BG60Z-../DHE08MA4	96	16000	-
0.37	8.2	430	2.8	175.1	BG60Z-../DHE08MA4	96	16000	-
0.37	7.0	500	2.4	204.6	BG60Z-../DHE08MA4	96	16000	-
0.37	6.4	550	2.2	226.7	BG60Z-../DHE08MA4	96	16000	-
0.37	5.8	600	2.0	247.7	BG60Z-../DHE08MA4	96	16000	-
0.37	5.3	660	1.8	274.5	BG60Z-../DHE08MA4	96	16000	-
0.37	5.2	560	2.3	276.2	BG60G20-../DHE08MA4	103	16000	-
0.37	4.7	620	2.1	306.1	BG60G20-../DHE08MA4	103	16000	-
0.37	4.3	680	1.9	334.3	BG60G20-../DHE08MA4	103	16000	-
0.37	3.9	750	1.75	370.5	BG60G20-../DHE08MA4	103	16000	-
0.37	3.3	900	1.45	437.3	BG60G20-../DHE08MA4	103	16000	-
0.37	2.9	1060	1.25	504.9	BG60G20-../DHE08MA4	103	16000	-
0.37	2.6	1190	1.1	559.5	BG60G20-../DHE08MA4	103	16000	-
0.37	2.2	1440	0.9	651.3	BG60G20-../DHE08MA4	103	16000	-
0.37	3.7	800	3.1	387.6	BG70G20-../DHE08MA4	133	20000	-
0.37	3.5	880	2.8	417.8	BG70G20-../DHE08MA4	133	20000	-
0.37	2.9	1070	2.3	495.9	BG70G20-../DHE08MA4	133	20000	-
0.37	2.5	1260	2.0	577.3	BG70G20-../DHE08MA4	133	20000	-
0.37	2.2	1430	1.75	665.8	BG70G20-../DHE08MA4	133	20000	-
0.37	1.9	1650	1.5	790.2	BG70G20-../DHE08MA4	133	20000	-
0.37	1.7	1870	1.35	877.6	BG70G20-../DHE08MA4	133	20000	-
0.37	1.4	2300	1.1	1035	BG70G20-../DHE08MA4	133	20000	-
0.37	1.2	2700	0.93	1193	BG70G20-../DHE08MA4	133	20000	-
0.37	1.1	2950	0.85	1389	BG70G20-../DHE08MA4	133	20000	-
0.37	1.8	1440	3.2	817.4	BG80G40-../DHE08MA4	215	26000	-
0.37	1.6	1670	2.8	907.6	BG80G40-../DHE08MA4	215	26000	-
0.37	1.4	1980	2.3	1042	BG80G40-../DHE08MA4	215	26000	-
0.37	1.2	2400	1.9	1261	BG80G40-../DHE08MA4	215	26000	-
0.37	1.1	2650	1.75	1400	BG80G40-../DHE08MA4	215	26000	-
0.37	0.9	3350	1.35	1653	BG80G40-../DHE08MA4	215	26000	-
0.37	0.7	4500	1.0	2070	BG80G40-../DHE08MA4	215	26000	-
0.37	0.95	3000	3.1	1583	BG90G50-../DHE08MA4	324	65000	-
0.37	0.85	3450	2.7	1756	BG90G50-../DHE08MA4	324	65000	-
0.37	0.75	4000	2.3	2026	BG90G50-../DHE08MA4	324	65000	-

The torques marked (*) are maximum permissible torques for service factor f_B=1.0.

0.37 kW



P _N [kW]	n ₂ [1/min]	50 Hz		i [:1]	Type	m [kg]	F _{RN} [N]	F _{RV} [N]
		M ₂ [Nm]	f _B [—]					
0.37	0.6	5200	1.75	2514	BG90G50-../DHE08MA4	324	65000	-
0.37	0.55	5700	1.6	2786	BG90G50-../DHE08MA4	324	65000	-
0.37	0.46	7000	1.3	3177	BG90G50-../DHE08MA4	324	65000	-
0.37	0.41	7900	1.15	3521	BG90G50-../DHE08MA4	324	65000	-
0.37	0.4	6300	2.9	3644	BG100G50-../DHE08MA4	512	90000	-
0.37	0.33	8200	2.3	4366	BG100G50-../DHE08MA4	512	90000	-
0.37	0.3	9200	2.0	4839	BG100G50-../DHE08MA4	512	90000	-
0.37	0.25	11600	1.6	5888	BG100G50-../DHE08MA4	512	90000	-
0.37	0.22	13500	1.35	6529	BG100G50-../DHE08MA4	512	90000	-
0.37	0.19	16000	1.15	7533	BG100G50-../DHE08MA4	512	90000	-
0.37	0.18	17100	1.1	8350	BG100G50-../DHE08MA4	512	90000	-

0.55 kW



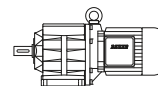
P _N [kW]	n ₂ [1/min]	50 Hz		i [:1]	Type	m [kg]	F _{RN} [N]	F _{RV} [N]
		M ₂ [Nm]	f _B [—]					
0.55	510	10.2	1.75	2.82	BG06-../DHE08LA4	18	470	-
0.55	375	14	1.45	3.78	BG06-../DHE08LA4	18	520	-
0.55	315	16.6	1.35	4.54	BG06-../DHE08LA4	18	530	-
0.55	240	21.5	1.1	5.96	BG06-../DHE08LA4	18	570	-
0.55	205	25.5	1.0	7.01	BG06-../DHE08LA4	18	580	-
0.55	185	28	1.0	7.65	BG06-../DHE08LA4	18	580	-
0.55	169	31	0.9	8.39	BG06-../DHE08LA4	18	600	-
0.55	151	34.5	0.87	9.38	BG06-../DHE08LA4	18	640	-
0.55	139	37.5	0.83	10.24	BG06-../DHE08LA4	18	640	-
0.55	210	25	3.2	6.78	BG10-../DHE08LA4	18	660	920
0.55	186	28	3.2	7.63	BG10-../DHE08LA4	18	900	1250
0.55	176	29.5	3.0	8.07	BG10-../DHE08LA4	18	660	920
0.55	152	34.5	2.8	9.33	BG10-../DHE08LA4	18	950	1330
0.55	137	38	2.6	10.34	BG10-../DHE08LA4	18	1000	1400
0.55	119	44	2.4	11.92	BG10-../DHE08LA4	18	1030	1440
0.55	108	48.5	2.3	13.21	BG10-../DHE08LA4	18	1070	1490
0.55	98	53	2.2	14.58	BG10-../DHE08LA4	18	1100	1540
0.55	88	59	2.0	16.15	BG10-../DHE08LA4	18	1140	1590
0.55	77	68	1.75	18.51	BG10-../DHE08LA4	18	1210	1690
0.55	69	76	1.6	20.51	BG10-../DHE08LA4	18	1290	1800
0.55	65	80	1.5	22.04	BG10-../DHE08LA4	18	1330	1860
0.55	58	90	1.35	24.42	BG10-../DHE08LA4	18	1410	1970
0.55	54	97	1.25	26.26	BG10-../DHE08LA4	18	1460	2000
0.55	49	107	1.1	29.09	BG10-../DHE08LA4	18	1540	2150
0.55	45	116	1.05	31.52	BG10-../DHE08LA4	18	1600	2200
0.55	41	128	0.94	34.92	BG10-../DHE08LA4	18	1690	2350
0.55	36	145	0.83	39.70	BG10-../DHE08LA4	18	1780	2450
0.55	53	99	1.5	27.08	BG15-../DHE08LA4	18	3000	6000
0.55	47.5	110	1.35	30.08	BG15-../DHE08LA4	18	3000	6000
0.55	41.5	126	1.2	34.20	BG15-../DHE08LA4	18	3000	6000
0.55	37.5	140	1.05	37.90	BG15-../DHE08LA4	18	3000	6000
0.55	97	54	3.2	14.67	BG20-../DHE08LA4	20	3050	-
0.55	91	57	3.1	15.58	BG20-../DHE08LA4	20	3100	-
0.55	82	64	2.9	17.31	BG20-../DHE08LA4	20	3200	-
0.55	71	73	2.7	19.95	BG20-../DHE08LA4	20	3350	-
0.55	64	82	2.4	22.16	BG20-../DHE08LA4	20	3500	-
0.55	61	86	2.3	23.22	BG20-../DHE08LA4	20	3550	-
0.55	55	95	2.1	25.79	BG20-../DHE08LA4	20	3700	-
0.55	51	102	1.95	27.85	BG20-../DHE08LA4	20	3800	-
0.55	46	114	1.75	30.94	BG20-../DHE08LA4	20	4000	-
0.55	42.5	123	1.65	33.33	BG20-../DHE08LA4	20	4100	-
0.55	38.5	136	1.45	37.02	BG20-../DHE08LA4	20	4300	-
0.55	34	154	1.3	41.76	BG20-../DHE08LA4	20	4500	-
0.55	31	169	1.2	46.38	BG20-../DHE08LA4	20	4700	-
0.55	30	175	1.15	47.92	BG20-../DHE08LA4	20	4750	-

The torques marked (*) are maximum permissible torques for service factor f_B=1.0.

BG-series helical-geared motors

Selection helical-geared motors

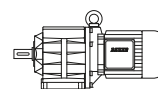
0.55 kW



P _N [kW]	n ₂ [1/min]	50 Hz		i [:1]	Type	m [kg]	F _{RN} [N]	F _{RV} [N]
		M ₂ [Nm]	f _B [-]					
0.55	27	194	1.05	53.22	BG20-../DHE08LA4	20	4950	-
0.55	24	215	0.93	59.07	BG20-../DHE08LA4	20	5000	-
0.55	22	235	0.85	65.62	BG20-../DHE08LA4	20	5000	-
0.55	21	250	0.8	67.53	BG20Z-../DHE08LA4	22	5000	-
0.55	56	93	3.2	25.45	BG30-../DHE08LA4	25	4850	-
0.55	51	102	2.9	28.24	BG30-../DHE08LA4	25	5100	-
0.55	47.5	110	2.7	29.83	BG30-../DHE08LA4	25	5200	-
0.55	43	122	2.5	33.09	BG30-../DHE08LA4	25	5400	-
0.55	40.5	129	2.3	35.17	BG30-../DHE08LA4	25	5500	-
0.55	36.5	143	2.1	39.02	BG30-../DHE08LA4	25	5800	-
0.55	33.5	156	1.9	42.46	BG30-../DHE08LA4	25	5900	-
0.55	30.5	172	1.75	47.11	BG30-../DHE08LA4	25	6000	-
0.55	27	194	1.55	52.44	BG30-../DHE08LA4	25	6000	-
0.55	24.5	210	1.45	58.18	BG30-../DHE08LA4	25	6000	-
0.55	23.5	220	1.35	60.79	BG30-../DHE08LA4	25	6000	-
0.55	21	250	1.2	67.44	BG30-../DHE08LA4	25	6000	-
0.55	19.5	265	1.15	73.51	BG30Z-../DHE08LA4	28	6000	-
0.55	17.5	300	1.0	81.55	BG30Z-../DHE08LA4	28	6000	-
0.55	16.5	315	0.95	86.13	BG30Z-../DHE08LA4	28	6000	-
0.55	15	350	0.86	95.55	BG30Z-../DHE08LA4	28	6000	-
0.55	37.5	140	3.0	37.96	BG40-../DHE08LA4	40	7000	-
0.55	35.5	147	2.9	40.19	BG40-../DHE08LA4	40	7000	-
0.55	32	164	2.6	44.62	BG40-../DHE08LA4	40	7000	-
0.55	29.5	178	2.4	48.36	BG40-../DHE08LA4	40	7000	-
0.55	26.5	198	2.1	53.69	BG40-../DHE08LA4	40	7000	-
0.55	24	215	2.0	59.64	BG40-../DHE08LA4	40	7000	-
0.55	21.5	240	1.75	66.20	BG40-../DHE08LA4	40	7000	-
0.55	21	250	1.7	67.74	BG40Z-../DHE08LA4	43	7000	-
0.55	19	275	1.55	75.19	BG40Z-../DHE08LA4	43	7000	-
0.55	17.5	300	1.4	82.00	BG40Z-../DHE08LA4	43	7000	-
0.55	16	325	1.3	91.02	BG40Z-../DHE08LA4	43	7000	-
0.55	15	350	1.2	96.86	BG40Z-../DHE08LA4	43	7000	-
0.55	13.5	385	1.1	107.5	BG40Z-../DHE08LA4	43	7000	-
0.55	12	435	0.98	121.3	BG40Z-../DHE08LA4	43	7000	-
0.55	11	475	0.89	134.6	BG40Z-../DHE08LA4	43	7000	-
0.55	10.5	500	0.85	141.4	BG40Z-../DHE08LA4	43	7000	-
0.55	27.5	191	3.3	52.12	BG50-../DHE08LA4	48	10000	-
0.55	24	215	2.9	59.42	BG50-../DHE08LA4	48	10000	-
0.55	21.5	240	2.6	65.86	BG50-../DHE08LA4	48	10000	-
0.55	20	260	2.4	71.97	BG50Z-../DHE08LA4	52	10000	-
0.55	18	290	2.2	79.78	BG50Z-../DHE08LA4	52	10000	-
0.55	15	350	1.8	95.58	BG50Z-../DHE08LA4	52	10000	-
0.55	13.5	385	1.65	106.0	BG50Z-../DHE08LA4	52	10000	-
0.55	11	475	1.35	128.9	BG50Z-../DHE08LA4	52	10000	-
0.55	10	520	1.2	142.9	BG50Z-../DHE08LA4	52	10000	-
0.55	8.6	610	1.05	164.9	BG50Z-../DHE08LA4	52	10000	-
0.55	7.8	670	0.94	182.8	BG50Z-../DHE08LA4	52	10000	-
0.55	7.0	750	0.84	204.7	BG50Z-../DHE08LA4	52	10000	-
0.55	14.5	360	3.3	101.0	BG60Z-../DHE08LA4	97	16000	-
0.55	12	435	2.8	119.2	BG60Z-../DHE08LA4	97	16000	-
0.55	11	475	2.5	132.1	BG60Z-../DHE08LA4	97	16000	-
0.55	9.0	580	2.1	158.0	BG60Z-../DHE08LA4	97	16000	-
0.55	8.1	640	1.9	175.1	BG60Z-../DHE08LA4	97	16000	-
0.55	7.0	750	1.6	204.6	BG60Z-../DHE08LA4	97	16000	-
0.55	6.3	830	1.45	226.7	BG60Z-../DHE08LA4	97	16000	-
0.55	5.8	900	1.35	247.7	BG60Z-../DHE08LA4	97	16000	-
0.55	5.2	1010	1.2	274.5	BG60Z-../DHE08LA4	97	16000	-
0.55	4.7	980	1.35	306.1	BG60G20-../DHE08LA4	105	16000	-
0.55	4.3	1080	1.2	334.3	BG60G20-../DHE08LA4	105	16000	-
0.55	3.9	1190	1.1	370.5	BG60G20-../DHE08LA4	105	16000	-
0.55	3.3	1420	0.92	437.3	BG60G20-../DHE08LA4	105	16000	-
0.55	7.3	710	3.2	194.4	BG70Z-../DHE08LA4	137	20000	-
0.55	6.8	770	3.0	210.5	BG70Z-../DHE08LA4	137	20000	-
0.55	5.7	920	2.5	249.8	BG70Z-../DHE08LA4	137	20000	-
0.55	5.6	830	3.0	255.5	BG70G20-../DHE08LA4	135	20000	-

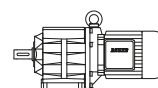
The torques marked (*) are maximum permissible torques for service factor f_B=1.0.

0.55 kW



P _N [kW]	n ₂ [1/min]	50 Hz		i [:1]	Type	m [kg]	F _{RN} [N]	F _{RV} [N]
		M ₂ [Nm]	f _B [—]					
0.55	5.2	890	2.8	276.7	BG70G20-../DHE08LA4	135	20000	-
0.55	4.4	1050	2.4	328.4	BG70G20-../DHE08LA4	135	20000	-
0.55	3.7	1270	1.95	387.6	BG70G20-../DHE08LA4	135	20000	-
0.55	3.4	1420	1.75	417.8	BG70G20-../DHE08LA4	135	20000	-
0.55	2.9	1660	1.5	495.9	BG70G20-../DHE08LA4	135	20000	-
0.55	2.5	1950	1.3	577.3	BG70G20-../DHE08LA4	135	20000	-
0.55	2.2	2200	1.15	665.8	BG70G20-../DHE08LA4	135	20000	-
0.55	1.8	2700	0.93	790.2	BG70G20-../DHE08LA4	135	20000	-
0.55	1.7	2850	0.88	877.6	BG70G20-../DHE08LA4	135	20000	-
0.55	2.5	1720	2.7	572.0	BG80G40-../DHE08LA4	216	26000	-
0.55	2.2	1900	2.4	657.8	BG80G40-../DHE08LA4	216	26000	-
0.55	2.0	2100	2.2	730.3	BG80G40-../DHE08LA4	216	26000	-
0.55	1.8	2350	1.95	817.4	BG80G40-../DHE08LA4	216	26000	-
0.55	1.6	2700	1.7	907.6	BG80G40-../DHE08LA4	216	26000	-
0.55	1.4	3200	1.45	1042	BG80G40-../DHE08LA4	216	26000	-
0.55	1.2	3800	1.2	1261	BG80G40-../DHE08LA4	216	26000	-
0.55	1.1	4200	1.1	1400	BG80G40-../DHE08LA4	216	26000	-
0.55	1.3	3350	2.7	1174	BG90G50-../DHE08LA4	326	65000	-
0.55	1.1	4100	2.2	1301	BG90G50-../DHE08LA4	326	65000	-
0.55	0.9	5100	1.8	1583	BG90G50-../DHE08LA4	326	65000	-
0.55	0.85	5500	1.65	1756	BG90G50-../DHE08LA4	326	65000	-
0.55	0.7	6800	1.35	2026	BG90G50-../DHE08LA4	326	65000	-
0.55	0.6	8000	1.15	2514	BG90G50-../DHE08LA4	326	65000	-
0.55	0.55	8800	1.05	2786	BG90G50-../DHE08LA4	326	65000	-
0.55	0.55	7100	2.6	2656	BG100G50-../DHE08LA4	513	90000	-
0.55	0.48	8600	2.2	2952	BG100G50-../DHE08LA4	513	90000	-
0.55	0.44	9400	1.95	3286	BG100G50-../DHE08LA4	513	90000	-
0.55	0.39	10900	1.7	3644	BG100G50-../DHE08LA4	513	90000	-
0.55	0.33	13400	1.4	4366	BG100G50-../DHE08LA4	513	90000	-
0.55	0.3	15000	1.25	4839	BG100G50-../DHE08LA4	513	90000	-

0.75 kW



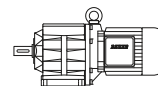
P _N [kW]	n ₂ [1/min]	50 Hz		i [:1]	Type	m [kg]	F _{RN} [N]	F _{RV} [N]
		M ₂ [Nm]	f _B [—]					
0.75	510	14	1.3	2.82	BG06-../DPE08XB4	19	470	-
0.75	380	18.8	1.05	3.78	BG06-../DPE08XB4	19	520	-
0.75	315	22.5	0.98	4.54	BG06-../DPE08XB4	19	530	-
0.75	240	29.5	0.81	5.96	BG06-../DPE08XB4	19	570	-
0.75	330	21.5	3.2	4.36	BG10-../DPE08XB4	19	650	910
0.75	270	26.5	2.8	5.34	BG10-../DPE08XB4	19	620	910
0.75	215	33	2.5	6.78	BG10-../DPE08XB4	19	660	920
0.75	210	34	2.6	6.89	BG10-../DPE08XB4	19	850	1200
0.75	187	38	2.3	7.63	BG10-../DPE08XB4	19	900	1250
0.75	177	40	2.2	8.07	BG10-../DPE08XB4	19	660	920
0.75	153	46.5	2.1	9.33	BG10-../DPE08XB4	19	950	1330
0.75	138	51	1.95	10.34	BG10-../DPE08XB4	19	1000	1400
0.75	120	59	1.8	11.92	BG10-../DPE08XB4	19	1030	1440
0.75	108	66	1.65	13.21	BG10-../DPE08XB4	19	1070	1490
0.75	98	73	1.55	14.58	BG10-../DPE08XB4	19	1100	1540
0.75	89	80	1.45	16.15	BG10-../DPE08XB4	19	1140	1590
0.75	77	93	1.3	18.51	BG10-../DPE08XB4	19	1210	1690
0.75	70	102	1.2	20.51	BG10-../DPE08XB4	19	1290	1800
0.75	65	110	1.1	22.04	BG10-../DPE08XB4	19	1330	1860
0.75	59	121	0.99	24.42	BG10-../DPE08XB4	19	1410	1970
0.75	55	130	0.92	26.26	BG10-../DPE08XB4	19	1460	2000
0.75	49	146	0.82	29.09	BG10-../DPE08XB4	19	1540	2150
0.75	53	135	1.1	27.08	BG15-../DPE08XB4	19	3000	6000
0.75	47.5	150	1.0	30.08	BG15-../DPE08XB4	19	3000	6000
0.75	42	170	0.88	34.20	BG15-../DPE08XB4	19	3000	6000

The torques marked (*) are maximum permissible torques for service factor f_B=1.0.

BG-series helical-geared motors

Selection helical-geared motors

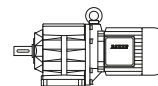
0.75 kW



P _N [kW]	n ₂ [1/min]	50 Hz		i [:1]	Type	m [kg]	F _{RN} [N]	F _{RV} [N]
		M ₂ [Nm]	f _B [-]					
0.75	38	188	0.8	37.90	BG15-../DPE08XB4	19	3000	6000
0.75	172	41.5	2.9	8.29	BG20-../DPE08XB4	22	2250	-
0.75	160	44.5	3.2	8.91	BG20-../DPE08XB4	22	2600	-
0.75	148	48	2.5	9.65	BG20-../DPE08XB4	22	2250	-
0.75	136	52	3.0	10.54	BG20-../DPE08XB4	22	2700	-
0.75	122	58	2.7	11.71	BG20-../DPE08XB4	22	2800	-
0.75	108	66	2.5	13.21	BG20-../DPE08XB4	22	2900	-
0.75	98	73	2.4	14.67	BG20-../DPE08XB4	22	3050	-
0.75	92	77	2.3	15.58	BG20-../DPE08XB4	22	3100	-
0.75	83	86	2.1	17.31	BG20-../DPE08XB4	22	3200	-
0.75	72	99	1.95	19.95	BG20-../DPE08XB4	22	3350	-
0.75	65	110	1.8	22.16	BG20-../DPE08XB4	22	3500	-
0.75	62	115	1.75	23.22	BG20-../DPE08XB4	22	3550	-
0.75	56	127	1.55	25.79	BG20-../DPE08XB4	22	3700	-
0.75	52	137	1.45	27.85	BG20-../DPE08XB4	22	3800	-
0.75	46.5	154	1.3	30.94	BG20-../DPE08XB4	22	4000	-
0.75	43	166	1.2	33.33	BG20-../DPE08XB4	22	4100	-
0.75	38.5	186	1.1	37.02	BG20-../DPE08XB4	22	4300	-
0.75	34.5	205	0.98	41.76	BG20-../DPE08XB4	22	4500	-
0.75	31	230	0.87	46.38	BG20-../DPE08XB4	22	4700	-
0.75	30	235	0.85	47.92	BG20-../DPE08XB4	22	4750	-
0.75	76	94	3.2	18.93	BG30-../DPE08XB4	26	4100	-
0.75	72	99	3.0	19.99	BG30-../DPE08XB4	26	4200	-
0.75	65	110	2.7	22.18	BG30-../DPE08XB4	26	4600	-
0.75	56	127	2.4	25.45	BG30-../DPE08XB4	26	4850	-
0.75	51	140	2.1	28.24	BG30-../DPE08XB4	26	5100	-
0.75	48	149	2.0	29.83	BG30-../DPE08XB4	26	5200	-
0.75	43.5	164	1.85	33.09	BG30-../DPE08XB4	26	5400	-
0.75	41	174	1.7	35.17	BG30-../DPE08XB4	26	5500	-
0.75	37	193	1.55	39.02	BG30-../DPE08XB4	26	5800	-
0.75	34	210	1.45	42.46	BG30-../DPE08XB4	26	5900	-
0.75	30.5	230	1.3	47.11	BG30-../DPE08XB4	26	6000	-
0.75	27.5	260	1.15	52.44	BG30-../DPE08XB4	26	6000	-
0.75	24.5	290	1.05	58.18	BG30-../DPE08XB4	26	6000	-
0.75	23.5	300	1.0	60.79	BG30-../DPE08XB4	26	6000	-
0.75	21.5	330	0.91	67.44	BG30-../DPE08XB4	26	6000	-
0.75	19.5	365	0.82	73.51	BG30Z-../DPE08XB4	29	6000	-
0.75	55	130	3.3	26.01	BG40-../DPE08XB4	41	6500	-
0.75	49	146	2.9	29.34	BG40-../DPE08XB4	41	6800	-
0.75	44	162	2.6	32.57	BG40-../DPE08XB4	41	7000	-
0.75	42	170	2.5	34.20	BG40-../DPE08XB4	41	7000	-
0.75	38	188	2.3	37.96	BG40-../DPE08XB4	41	7000	-
0.75	35.5	200	2.1	40.19	BG40-../DPE08XB4	41	7000	-
0.75	32	220	1.95	44.62	BG40-../DPE08XB4	41	7000	-
0.75	29.5	240	1.75	48.36	BG40-../DPE08XB4	41	7000	-
0.75	27	265	1.6	53.69	BG40-../DPE08XB4	41	7000	-
0.75	24	295	1.45	59.64	BG40-../DPE08XB4	41	7000	-
0.75	22	325	1.3	66.20	BG40-../DPE08XB4	41	7000	-
0.75	21.5	330	1.3	67.74	BG40Z-../DPE08XB4	44	7000	-
0.75	19	375	1.15	75.19	BG40Z-../DPE08XB4	44	7000	-
0.75	17.5	405	1.05	82.00	BG40Z-../DPE08XB4	44	7000	-
0.75	16	445	0.96	91.02	BG40Z-../DPE08XB4	44	7000	-
0.75	15	475	0.89	96.86	BG40Z-../DPE08XB4	44	7000	-
0.75	13.5	530	0.8	107.5	BG40Z-../DPE08XB4	44	7000	-
0.75	34	210	3.0	42.00	BG50-../DPE08XB4	49	10000	-
0.75	30.5	230	2.7	47.02	BG50-../DPE08XB4	49	10000	-
0.75	27.5	260	2.4	52.12	BG50-../DPE08XB4	49	10000	-
0.75	24	295	2.1	59.42	BG50-../DPE08XB4	49	10000	-
0.75	22	325	1.95	65.86	BG50-../DPE08XB4	49	10000	-
0.75	20	355	1.75	71.97	BG50Z-../DPE08XB4	54	10000	-
0.75	18	395	1.6	79.78	BG50Z-../DPE08XB4	54	10000	-
0.75	15	475	1.35	95.58	BG50Z-../DPE08XB4	54	10000	-
0.75	13.5	530	1.2	106.0	BG50Z-../DPE08XB4	54	10000	-
0.75	11.5	620	1.0	128.9	BG50Z-../DPE08XB4	54	10000	-
0.75	10	710	0.89	142.9	BG50Z-../DPE08XB4	54	10000	-

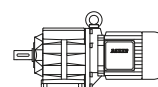
The torques marked (*) are maximum permissible torques for service factor f_B=1.0.

0.75 kW



P _N [kW]	n ₂ [1/min]	50 Hz		i [:1]	Type	m [kg]	F _{RN} [N]	F _{RV} [N]
		M ₂ [Nm]	f _B [—]					
0.75	19	375	3.2	75.71	BG60Z-../DPE08XB4	99	16000	-
0.75	16	445	2.7	91.09	BG60Z-../DPE08XB4	99	16000	-
0.75	14.5	490	2.4	101.0	BG60Z-../DPE08XB4	99	16000	-
0.75	12	590	2.0	119.2	BG60Z-../DPE08XB4	99	16000	-
0.75	11	650	1.85	132.1	BG60Z-../DPE08XB4	99	16000	-
0.75	9.1	780	1.55	158.0	BG60Z-../DPE08XB4	99	16000	-
0.75	8.2	870	1.4	175.1	BG60Z-../DPE08XB4	99	16000	-
0.75	7.0	1020	1.2	204.6	BG60Z-../DPE08XB4	99	16000	-
0.75	6.3	1130	1.05	226.7	BG60Z-../DPE08XB4	99	16000	-
0.75	5.8	1230	0.98	247.7	BG60Z-../DPE08XB4	99	16000	-
0.75	5.2	1370	0.88	274.5	BG60Z-../DPE08XB4	99	16000	-
0.75	4.7	1390	0.94	306.1	BG60G20-../DPE08XB4	106	16000	-
0.75	4.3	1520	0.86	334.3	BG60G20-../DPE08XB4	106	16000	-
0.75	9.7	730	3.2	147.2	BG70Z-../DPE08XB4	138	20000	-
0.75	8.7	820	2.8	163.8	BG70Z-../DPE08XB4	138	20000	-
0.75	7.4	960	2.4	194.4	BG70Z-../DPE08XB4	138	20000	-
0.75	6.8	1050	2.2	210.5	BG70Z-../DPE08XB4	138	20000	-
0.75	5.8	1230	1.85	249.8	BG70Z-../DPE08XB4	138	20000	-
0.75	5.6	1170	2.1	255.5	BG70G20-../DPE08XB4	136	20000	-
0.75	5.2	1260	2.0	276.7	BG70G20-../DPE08XB4	136	20000	-
0.75	4.4	1490	1.7	328.4	BG70G20-../DPE08XB4	136	20000	-
0.75	3.7	1780	1.4	387.6	BG70G20-../DPE08XB4	136	20000	-
0.75	3.5	1920	1.3	417.8	BG70G20-../DPE08XB4	136	20000	-
0.75	2.9	2300	1.1	495.9	BG70G20-../DPE08XB4	136	20000	-
0.75	2.5	2700	0.93	577.3	BG70G20-../DPE08XB4	136	20000	-
0.75	2.2	3050	0.82	665.8	BG70G20-../DPE08XB4	136	20000	-
0.75	4.0	1450	3.2	360.0	BG80G40-../DPE08XB4	218	26000	-
0.75	3.6	1610	2.9	399.8	BG80G40-../DPE08XB4	218	26000	-
0.75	3.3	1830	2.5	436.2	BG80G40-../DPE08XB4	218	26000	-
0.75	3.0	2000	2.3	484.3	BG80G40-../DPE08XB4	218	26000	-
0.75	2.5	2450	1.9	572.0	BG80G40-../DPE08XB4	218	26000	-
0.75	2.2	2750	1.65	657.8	BG80G40-../DPE08XB4	218	26000	-
0.75	2.0	3050	1.5	730.3	BG80G40-../DPE08XB4	218	26000	-
0.75	1.8	3450	1.35	817.4	BG80G40-../DPE08XB4	218	26000	-
0.75	1.6	3900	1.2	907.6	BG80G40-../DPE08XB4	218	26000	-
0.75	1.4	4550	1.0	1042	BG80G40-../DPE08XB4	218	26000	-
0.75	1.2	5400	0.85	1261	BG80G40-../DPE08XB4	218	26000	-
0.75	2.0	2900	3.2	714.2	BG90G50-../DPE08XB4	328	65000	-
0.75	1.7	3500	2.6	883.7	BG90G50-../DPE08XB4	328	65000	-
0.75	1.3	4800	1.9	1174	BG90G50-../DPE08XB4	328	65000	-
0.75	1.1	5800	1.6	1301	BG90G50-../DPE08XB4	328	65000	-
0.75	0.95	6800	1.35	1583	BG90G50-../DPE08XB4	328	65000	-
0.75	0.85	7700	1.2	1756	BG90G50-../DPE08XB4	328	65000	-
0.75	0.75	8800	1.05	2026	BG90G50-../DPE08XB4	328	65000	-
0.75	1.0	5700	3.2	1444	BG100G50-../DPE08XB4	514	90000	-
0.75	0.85	6800	2.7	1678	BG100G50-../DPE08XB4	514	90000	-
0.75	0.8	7100	2.6	1867	BG100G50-../DPE08XB4	514	90000	-
0.75	0.7	8100	2.3	2154	BG100G50-../DPE08XB4	514	90000	-
0.75	0.55	10600	1.75	2656	BG100G50-../DPE08XB4	514	90000	-
0.75	0.49	12300	1.5	2952	BG100G50-../DPE08XB4	514	90000	-
0.75	0.44	13700	1.35	3286	BG100G50-../DPE08XB4	514	90000	-
0.75	0.4	15400	1.2	3644	BG100G50-../DPE08XB4	514	90000	-

1.1 kW



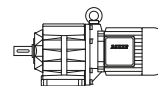
P _N [kW]	n ₂ [1/min]	50 Hz		i [:1]	Type	m [kg]	F _{RN} [N]	F _{RV} [N]
		M ₂ [Nm]	f _B [—]					
1.1	580	18.1	3.1	2.52	BG10-../DPE09XA4	30	570	790
1.1	425	24.5	2.5	3.42	BG10-../DPE09XA4	30	630	880
1.1	335	31	2.2	4.36	BG10-../DPE09XA4	30	650	910
1.1	270	38.5	1.95	5.34	BG10-../DPE09XA4	30	620	910

The torques marked (*) are maximum permissible torques for service factor f_B=1.0.

BG-series helical-geared motors

Selection helical-geared motors

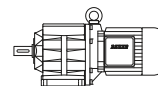
1.1 kW



P _N [kW]	n ₂ [1/min]	50 Hz		i [:1]	Type	m [kg]	F _{RN} [N]	F _{RV} [N]
		M ₂ [Nm]	f _B [-]					
1.1	215	48.5	1.65	6.78	BG10-../DPE09XA4	30	660	920
1.1	210	50	1.75	6.89	BG10-../DPE09XA4	30	850	1200
1.1	189	55	1.6	7.63	BG10-../DPE09XA4	30	900	1250
1.1	179	58	1.5	8.07	BG10-../DPE09XA4	30	660	920
1.1	155	67	1.45	9.33	BG10-../DPE09XA4	30	950	1330
1.1	140	75	1.3	10.34	BG10-../DPE09XA4	30	1000	1400
1.1	121	86	1.2	11.92	BG10-../DPE09XA4	30	1030	1440
1.1	110	95	1.15	13.21	BG10-../DPE09XA4	30	1070	1490
1.1	99	106	1.1	14.58	BG10-../DPE09XA4	30	1100	1540
1.1	90	116	1.0	16.15	BG10-../DPE09XA4	30	1140	1590
1.1	78	134	0.9	18.51	BG10-../DPE09XA4	30	1210	1690
1.1	71	147	0.82	20.51	BG10-../DPE09XA4	30	1290	1800
1.1	330	31.5	3.3	4.38	BG20-../DPE09XA4	32	1990	-
1.1	265	39.5	2.9	5.49	BG20-../DPE09XA4	32	2100	-
1.1	240	43.5	2.9	6.06	BG20-../DPE09XA4	32	2250	-
1.1	225	46.5	2.6	6.48	BG20-../DPE09XA4	32	2250	-
1.1	215	48.5	2.7	6.73	BG20-../DPE09XA4	32	2350	2100
1.1	180	58	2.4	8.02	BG20-../DPE09XA4	32	2500	-
1.1	174	60	2.0	8.29	BG20-../DPE09XA4	32	2250	-
1.1	162	64	2.2	8.91	BG20-../DPE09XA4	32	2600	-
1.1	150	70	1.75	9.65	BG20-../DPE09XA4	32	2250	-
1.1	137	76	2.0	10.54	BG20-../DPE09XA4	32	2700	-
1.1	123	85	1.85	11.71	BG20-../DPE09XA4	32	2800	-
1.1	110	95	1.75	13.21	BG20-../DPE09XA4	32	2900	-
1.1	99	106	1.6	14.67	BG20-../DPE09XA4	32	3050	-
1.1	93	112	1.6	15.58	BG20-../DPE09XA4	32	3100	-
1.1	84	125	1.45	17.31	BG20-../DPE09XA4	32	3200	-
1.1	73	143	1.35	19.95	BG20-../DPE09XA4	32	3350	-
1.1	65	161	1.25	22.16	BG20-../DPE09XA4	32	3500	-
1.1	63	166	1.2	23.22	BG20-../DPE09XA4	32	3550	-
1.1	56	187	1.05	25.79	BG20-../DPE09XA4	32	3700	-
1.1	52	200	1.0	27.85	BG20-../DPE09XA4	32	3800	-
1.1	47	220	0.91	30.94	BG20-../DPE09XA4	32	4000	-
1.1	43.5	240	0.83	33.33	BG20-../DPE09XA4	32	4100	-
1.1	122	86	3.2	11.82	BG30-../DPE09XA4	37	3200	-
1.1	105	100	2.9	13.77	BG30-../DPE09XA4	37	3150	-
1.1	95	110	2.7	15.27	BG30-../DPE09XA4	37	3450	-
1.1	85	123	2.4	17.06	BG30-../DPE09XA4	37	3700	-
1.1	77	136	2.2	18.93	BG30-../DPE09XA4	37	4100	-
1.1	73	143	2.1	19.99	BG30-../DPE09XA4	37	4200	-
1.1	65	161	1.85	22.18	BG30-../DPE09XA4	37	4600	-
1.1	57	184	1.65	25.45	BG30-../DPE09XA4	37	4850	-
1.1	51	205	1.45	28.24	BG30-../DPE09XA4	37	5100	-
1.1	48.5	215	1.4	29.83	BG30-../DPE09XA4	37	5200	-
1.1	44	235	1.3	33.09	BG30-../DPE09XA4	37	5400	-
1.1	41	255	1.2	35.17	BG30-../DPE09XA4	37	5500	-
1.1	37	280	1.05	39.02	BG30-../DPE09XA4	37	5800	-
1.1	34	305	0.98	42.46	BG30-../DPE09XA4	37	5900	-
1.1	31	335	0.9	47.11	BG30-../DPE09XA4	37	6000	-
1.1	80	131	3.2	18.19	BG40-../DPE09XA4	51	5600	-
1.1	73	143	3.0	19.84	BG40-../DPE09XA4	51	5800	-
1.1	66	159	2.7	22.02	BG40-../DPE09XA4	51	6000	-
1.1	62	169	2.5	23.43	BG40-../DPE09XA4	51	6200	-
1.1	56	187	2.3	26.01	BG40-../DPE09XA4	51	6500	-
1.1	49.5	210	2.0	29.34	BG40-../DPE09XA4	51	6800	-
1.1	44.5	235	1.8	32.57	BG40-../DPE09XA4	51	7000	-
1.1	42.5	245	1.75	34.20	BG40-../DPE09XA4	51	7000	-
1.1	38	275	1.55	37.96	BG40-../DPE09XA4	51	7000	-
1.1	36	290	1.45	40.19	BG40-../DPE09XA4	51	7000	-
1.1	32.5	320	1.35	44.62	BG40-../DPE09XA4	51	7000	-
1.1	30	350	1.2	48.36	BG40-../DPE09XA4	51	7000	-
1.1	27	385	1.1	53.69	BG40-../DPE09XA4	51	7000	-
1.1	24.5	425	1.0	59.64	BG40-../DPE09XA4	51	7000	-
1.1	22	475	0.89	66.20	BG40-../DPE09XA4	51	7000	-
1.1	21.5	485	0.88	67.74	BG40Z-../DPE09XA4	55	7000	-
1.1	19.5	530	0.8	75.19	BG40Z-../DPE09XA4	55	7000	-

The torques marked (*) are maximum permissible torques for service factor f_B=1.0.

1.1 kW



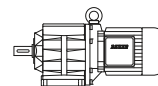
P _N [kW]	n ₂ [1/min]	50 Hz		i [:1]	Type	m [kg]	F _{RN} [N]	F _{RV} [N]
		M ₂ [Nm]	f _B [-]					
1.1	49	210	3.0	29.62	BG50-../DPE09XA4	59	8000	-
1.1	44	235	2.7	32.84	BG50-../DPE09XA4	59	8700	-
1.1	38.5	270	2.3	37.89	BG50-../DPE09XA4	59	10000	-
1.1	34.5	300	2.1	42.00	BG50-../DPE09XA4	59	10000	-
1.1	31	335	1.9	47.02	BG50-../DPE09XA4	59	10000	-
1.1	28	375	1.7	52.12	BG50-../DPE09XA4	59	10000	-
1.1	24.5	425	1.5	59.42	BG50-../DPE09XA4	59	10000	-
1.1	22	475	1.35	65.86	BG50-../DPE09XA4	59	10000	-
1.1	20.5	510	1.25	71.97	BG50Z-../DPE09XA4	64	10000	-
1.1	18.5	560	1.15	79.78	BG50Z-../DPE09XA4	64	10000	-
1.1	15.5	670	0.94	95.58	BG50Z-../DPE09XA4	64	10000	-
1.1	14	750	0.84	106.0	BG50Z-../DPE09XA4	64	10000	-
1.1	29	360	3.3	50.31	BG60-../DPE09XA4	90	16000	-
1.1	26	400	3.0	55.76	BG60-../DPE09XA4	90	16000	-
1.1	24	435	2.8	60.90	BG60-../DPE09XA4	90	16000	-
1.1	21.5	485	2.5	67.49	BG60-../DPE09XA4	90	16000	-
1.1	19.5	530	2.3	75.71	BG60Z-../DPE09XA4	109	16000	-
1.1	16	650	1.85	91.09	BG60Z-../DPE09XA4	109	16000	-
1.1	14.5	720	1.65	101.0	BG60Z-../DPE09XA4	109	16000	-
1.1	12.5	840	1.45	119.2	BG60Z-../DPE09XA4	109	16000	-
1.1	11	950	1.25	132.1	BG60Z-../DPE09XA4	109	16000	-
1.1	9.2	1140	1.05	158.0	BG60Z-../DPE09XA4	109	16000	-
1.1	8.3	1260	0.95	175.1	BG60Z-../DPE09XA4	109	16000	-
1.1	7.1	1470	0.82	204.6	BG60Z-../DPE09XA4	109	16000	-
1.1	13	800	2.9	113.6	BG70Z-../DPE09XA4	149	20000	-
1.1	12	870	2.6	124.0	BG70Z-../DPE09XA4	149	20000	-
1.1	9.8	1070	2.1	147.2	BG70Z-../DPE09XA4	149	20000	-
1.1	8.8	1190	1.95	163.8	BG70Z-../DPE09XA4	149	20000	-
1.1	7.5	1400	1.65	194.4	BG70Z-../DPE09XA4	149	20000	-
1.1	6.9	1520	1.5	210.5	BG70Z-../DPE09XA4	149	20000	-
1.1	5.8	1810	1.25	249.8	BG70Z-../DPE09XA4	149	20000	-
1.1	5.7	1730	1.45	255.5	BG70G20-../DPE09XA4	146	20000	-
1.1	5.3	1860	1.35	276.7	BG70G20-../DPE09XA4	146	20000	-
1.1	4.4	2200	1.15	328.4	BG70G20-../DPE09XA4	146	20000	-
1.1	3.8	2600	0.96	387.6	BG70G20-../DPE09XA4	146	20000	-
1.1	3.5	2850	0.88	417.8	BG70G20-../DPE09XA4	146	20000	-
1.1	7.8	1340	3.1	186.8	BG80Z-../DPE09XA4	217	26000	-
1.1	7.0	1500	2.8	207.4	BG80Z-../DPE09XA4	217	26000	-
1.1	5.8	1500	3.1	252.3	BG80G40-../DPE09XA4	228	26000	-
1.1	5.1	1750	2.6	282.8	BG80G40-../DPE09XA4	228	26000	-
1.1	4.6	1940	2.4	314.0	BG80G40-../DPE09XA4	228	26000	-
1.1	4.0	2250	2.0	360.0	BG80G40-../DPE09XA4	228	26000	-
1.1	3.7	2450	1.9	399.8	BG80G40-../DPE09XA4	228	26000	-
1.1	3.4	2750	1.65	436.2	BG80G40-../DPE09XA4	228	26000	-
1.1	3.0	3100	1.5	484.3	BG80G40-../DPE09XA4	228	26000	-
1.1	2.6	3650	1.25	572.0	BG80G40-../DPE09XA4	228	26000	-
1.1	2.2	4250	1.1	657.8	BG80G40-../DPE09XA4	228	26000	-
1.1	2.0	4750	0.97	730.3	BG80G40-../DPE09XA4	228	26000	-
1.1	1.8	5300	0.87	817.4	BG80G40-../DPE09XA4	228	26000	-
1.1	2.9	3100	3.0	504.7	BG90G50-../DPE09XA4	338	65000	-
1.1	2.5	3600	2.6	588.8	BG90G50-../DPE09XA4	338	65000	-
1.1	2.3	3950	2.3	644.7	BG90G50-../DPE09XA4	338	65000	-
1.1	2.1	4350	2.1	714.2	BG90G50-../DPE09XA4	338	65000	-
1.1	1.7	5500	1.65	883.7	BG90G50-../DPE09XA4	338	65000	-
1.1	1.3	7400	1.25	1174	BG90G50-../DPE09XA4	338	65000	-
1.1	1.2	8000	1.15	1301	BG90G50-../DPE09XA4	338	65000	-
1.1	1.8	5800	3.2	845.1	BG100Z-../DPE09XA4	525	90000	-
1.1	1.4	6100	3.0	1043	BG100G50-../DPE09XA4	525	90000	-
1.1	1.2	7100	2.6	1204	BG100G50-../DPE09XA4	525	90000	-
1.1	1.0	9100	2.0	1444	BG100G50-../DPE09XA4	525	90000	-
1.1	0.9	10000	1.85	1678	BG100G50-../DPE09XA4	525	90000	-
1.1	0.8	11300	1.65	1867	BG100G50-../DPE09XA4	525	90000	-
1.1	0.7	12900	1.45	2154	BG100G50-../DPE09XA4	525	90000	-
1.1	0.55	16700	1.1	2656	BG100G50-../DPE09XA4	525	90000	-

The torques marked (*) are maximum permissible torques for service factor f_B=1.0.

BG-series helical-geared motors

Selection helical-geared motors

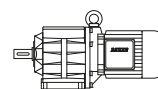
1.5 kW



P _N [kW]	n ₂ [1/min]	50 Hz		i [:1]	Type	m [kg]	F _{RN} [N]	F _{RV} [N]
		M ₂ [Nm]	f _B [-]					
1.5	570	25	2.2	2.52	BG10-../DPE09XB4	30	570	790
1.5	420	34	1.8	3.42	BG10-../DPE09XB4	30	630	880
1.5	330	43	1.6	4.36	BG10-../DPE09XB4	30	650	910
1.5	270	53	1.4	5.34	BG10-../DPE09XB4	30	620	910
1.5	215	66	1.25	6.78	BG10-../DPE09XB4	30	660	920
1.5	210	68	1.3	6.89	BG10-../DPE09XB4	30	850	1200
1.5	189	75	1.2	7.63	BG10-../DPE09XB4	30	900	1250
1.5	178	80	1.1	8.07	BG10-../DPE09XB4	30	660	920
1.5	154	93	1.05	9.33	BG10-../DPE09XB4	30	950	1330
1.5	139	103	0.96	10.34	BG10-../DPE09XB4	30	1000	1400
1.5	121	118	0.89	11.92	BG10-../DPE09XB4	30	1030	1440
1.5	109	131	0.84	13.21	BG10-../DPE09XB4	30	1070	1490
1.5	435	32.5	2.8	3.33	BG20-../DPE09XB4	32	1830	-
1.5	330	43	2.4	4.38	BG20-../DPE09XB4	32	1990	-
1.5	265	54	2.1	5.49	BG20-../DPE09XB4	32	2100	-
1.5	240	59	2.1	6.06	BG20-../DPE09XB4	32	2250	-
1.5	225	63	1.95	6.48	BG20-../DPE09XB4	32	2250	-
1.5	215	66	1.95	6.73	BG20-../DPE09XB4	32	2350	2100
1.5	179	80	1.7	8.02	BG20-../DPE09XB4	32	2500	-
1.5	174	82	1.5	8.29	BG20-../DPE09XB4	32	2250	-
1.5	162	88	1.65	8.91	BG20-../DPE09XB4	32	2600	-
1.5	149	96	1.25	9.65	BG20-../DPE09XB4	32	2250	-
1.5	137	104	1.5	10.54	BG20-../DPE09XB4	32	2700	-
1.5	123	116	1.35	11.71	BG20-../DPE09XB4	32	2800	-
1.5	109	131	1.25	13.21	BG20-../DPE09XB4	32	2900	-
1.5	98	146	1.2	14.67	BG20-../DPE09XB4	32	3050	-
1.5	93	154	1.15	15.58	BG20-../DPE09XB4	32	3100	-
1.5	83	172	1.05	17.31	BG20-../DPE09XB4	32	3200	-
1.5	72	198	0.98	19.95	BG20-../DPE09XB4	32	3350	-
1.5	65	220	0.91	22.16	BG20-../DPE09XB4	32	3500	-
1.5	62	230	0.87	23.22	BG20-../DPE09XB4	32	3550	-
1.5	215	66	3.3	6.75	BG30-../DPE09XB4	37	1760	-
1.5	192	74	3.1	7.50	BG30-../DPE09XB4	37	2750	-
1.5	182	78	2.8	7.91	BG30-../DPE09XB4	37	1760	-
1.5	167	85	2.9	8.60	BG30-../DPE09XB4	37	2800	-
1.5	151	94	2.7	9.55	BG30-../DPE09XB4	37	3000	-
1.5	135	106	2.5	10.65	BG30-../DPE09XB4	37	2950	-
1.5	122	117	2.3	11.82	BG30-../DPE09XB4	37	3200	-
1.5	105	136	2.2	13.77	BG30-../DPE09XB4	37	3150	-
1.5	94	152	1.95	15.27	BG30-../DPE09XB4	37	3450	-
1.5	85	168	1.8	17.06	BG30-../DPE09XB4	37	3700	-
1.5	76	188	1.6	18.93	BG30-../DPE09XB4	37	4100	-
1.5	72	198	1.5	19.99	BG30-../DPE09XB4	37	4200	-
1.5	65	220	1.35	22.18	BG30-../DPE09XB4	37	4600	-
1.5	57	250	1.2	25.45	BG30-../DPE09XB4	37	4850	-
1.5	51	280	1.05	28.24	BG30-../DPE09XB4	37	5100	-
1.5	48.5	295	1.0	29.83	BG30-../DPE09XB4	37	5200	-
1.5	43.5	325	0.92	33.09	BG30-../DPE09XB4	37	5400	-
1.5	41	345	0.87	35.17	BG30-../DPE09XB4	37	5500	-
1.5	160	89	3.3	9.00	BG40-../DPE09XB4	51	2650	-
1.5	112	127	3.2	12.86	BG40-../DPE09XB4	51	4500	-
1.5	101	141	3.0	14.28	BG40-../DPE09XB4	51	4900	-
1.5	88	162	2.6	16.39	BG40-../DPE09XB4	51	5300	-
1.5	79	181	2.3	18.19	BG40-../DPE09XB4	51	5600	-
1.5	73	196	2.2	19.84	BG40-../DPE09XB4	51	5800	-
1.5	66	215	2.0	22.02	BG40-../DPE09XB4	51	6000	-
1.5	62	230	1.85	23.43	BG40-../DPE09XB4	51	6200	-
1.5	56	255	1.65	26.01	BG40-../DPE09XB4	51	6500	-
1.5	49	290	1.45	29.34	BG40-../DPE09XB4	51	6800	-
1.5	44.5	320	1.35	32.57	BG40-../DPE09XB4	51	7000	-
1.5	42	340	1.25	34.20	BG40-../DPE09XB4	51	7000	-
1.5	38	375	1.15	37.96	BG40-../DPE09XB4	51	7000	-
1.5	36	395	1.1	40.19	BG40-../DPE09XB4	51	7000	-
1.5	32.5	440	0.97	44.62	BG40-../DPE09XB4	51	7000	-
1.5	30	475	0.89	48.36	BG40-../DPE09XB4	51	7000	-
1.5	27	530	0.8	53.69	BG40-../DPE09XB4	51	7000	-

The torques marked (*) are maximum permissible torques for service factor f_B=1.0.

1.5 kW



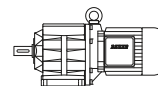
P _N [kW]	n ₂ [1/min]	50 Hz		i [:1]	Type	m [kg]	F _{RN} [N]	F _{RV} [N]
		M ₂ [Nm]	f _B [-]					
1.5	66	215	2.9	21.96	BG50-../DPE09XB4	59	8000	-
1.5	59	240	2.6	24.34	BG50-../DPE09XB4	59	8700	-
1.5	48.5	295	2.1	29.62	BG50-../DPE09XB4	59	8000	-
1.5	44	325	1.95	32.84	BG50-../DPE09XB4	59	8700	-
1.5	38	375	1.7	37.89	BG50-../DPE09XB4	59	10000	-
1.5	34.5	415	1.5	42.00	BG50-../DPE09XB4	59	10000	-
1.5	31	460	1.35	47.02	BG50-../DPE09XB4	59	10000	-
1.5	28	510	1.25	52.12	BG50-../DPE09XB4	59	10000	-
1.5	24.5	580	1.1	59.42	BG50-../DPE09XB4	59	10000	-
1.5	22	650	0.97	65.86	BG50-../DPE09XB4	59	10000	-
1.5	20	710	0.89	71.97	BG50Z-../DPE09XB4	64	10000	-
1.5	18	790	0.8	79.78	BG50Z-../DPE09XB4	64	10000	-
1.5	37	385	3.1	38.85	BG60-../DPE09XB4	90	16000	-
1.5	33.5	425	2.8	43.05	BG60-../DPE09XB4	90	16000	-
1.5	29	490	2.4	50.31	BG60-../DPE09XB4	90	16000	-
1.5	26	550	2.2	55.76	BG60-../DPE09XB4	90	16000	-
1.5	24	590	2.0	60.90	BG60-../DPE09XB4	90	16000	-
1.5	21.5	660	1.8	67.49	BG60-../DPE09XB4	90	16000	-
1.5	19	750	1.6	75.71	BG60Z-../DPE09XB4	109	16000	-
1.5	16	890	1.35	91.09	BG60Z-../DPE09XB4	109	16000	-
1.5	14.5	980	1.2	101.0	BG60Z-../DPE09XB4	109	16000	-
1.5	12.5	1140	1.05	119.2	BG60Z-../DPE09XB4	109	16000	-
1.5	11	1300	0.92	132.1	BG60Z-../DPE09XB4	109	16000	-
1.5	19.5	730	3.2	73.82	BG70Z-../DPE09XB4	149	20000	-
1.5	16.5	860	2.7	87.61	BG70Z-../DPE09XB4	149	20000	-
1.5	15	950	2.4	95.74	BG70Z-../DPE09XB4	149	20000	-
1.5	13	1100	2.1	113.6	BG70Z-../DPE09XB4	149	20000	-
1.5	12	1190	1.95	124.0	BG70Z-../DPE09XB4	149	20000	-
1.5	9.8	1460	1.6	147.2	BG70Z-../DPE09XB4	149	20000	-
1.5	8.8	1620	1.4	163.8	BG70Z-../DPE09XB4	149	20000	-
1.5	7.4	1930	1.2	194.4	BG70Z-../DPE09XB4	149	20000	-
1.5	6.9	2050	1.1	210.5	BG70Z-../DPE09XB4	149	20000	-
1.5	5.8	2450	0.94	249.8	BG70Z-../DPE09XB4	149	20000	-
1.5	5.7	2400	1.05	255.5	BG70G20-../DPE09XB4	146	20000	-
1.5	5.2	2600	0.96	276.7	BG70G20-../DPE09XB4	146	20000	-
1.5	4.4	3100	0.81	328.4	BG70G20-../DPE09XB4	146	20000	-
1.5	9.9	1440	2.9	145.4	BG80Z-../DPE09XB4	217	26000	-
1.5	8.9	1600	2.6	161.5	BG80Z-../DPE09XB4	217	26000	-
1.5	7.7	1860	2.3	186.8	BG80Z-../DPE09XB4	217	26000	-
1.5	7.0	2000	2.1	207.4	BG80Z-../DPE09XB4	217	26000	-
1.5	6.4	1950	2.4	227.2	BG80G40-../DPE09XB4	228	26000	-
1.5	5.7	2200	2.1	252.3	BG80G40-../DPE09XB4	228	26000	-
1.5	5.1	2500	1.85	282.8	BG80G40-../DPE09XB4	228	26000	-
1.5	4.6	2750	1.65	314.0	BG80G40-../DPE09XB4	228	26000	-
1.5	4.0	3200	1.45	360.0	BG80G40-../DPE09XB4	228	26000	-
1.5	3.6	3600	1.3	399.8	BG80G40-../DPE09XB4	228	26000	-
1.5	3.3	4000	1.15	436.2	BG80G40-../DPE09XB4	228	26000	-
1.5	3.0	4350	1.05	484.3	BG80G40-../DPE09XB4	228	26000	-
1.5	2.6	5100	0.9	572.0	BG80G40-../DPE09XB4	228	26000	-
1.5	4.0	3100	3.0	360.3	BG90G50-../DPE09XB4	338	65000	-
1.5	3.3	3950	2.3	435.8	BG90G50-../DPE09XB4	338	65000	-
1.5	2.9	4450	2.1	504.7	BG90G50-../DPE09XB4	338	65000	-
1.5	2.5	5100	1.8	588.8	BG90G50-../DPE09XB4	338	65000	-
1.5	2.3	5600	1.65	644.7	BG90G50-../DPE09XB4	338	65000	-
1.5	2.1	6100	1.5	714.2	BG90G50-../DPE09XB4	338	65000	-
1.5	1.7	7700	1.2	883.7	BG90G50-../DPE09XB4	338	65000	-
1.5	1.3	10300	0.89	1174	BG90G50-../DPE09XB4	338	65000	-
1.5	1.2	11200	0.82	1301	BG90G50-../DPE09XB4	338	65000	-
1.5	2.5	5700	3.2	591.1	BG100Z-../DPE09XB4	526	90000	-
1.5	2.2	6500	2.8	658.1	BG100Z-../DPE09XB4	526	90000	-
1.5	1.9	7500	2.5	759.0	BG100Z-../DPE09XB4	526	90000	-
1.5	1.7	8400	2.2	845.1	BG100Z-../DPE09XB4	526	90000	-
1.5	1.5	7900	2.3	976.1	BG100G50-../DPE09XB4	525	90000	-
1.5	1.4	8800	2.1	1043	BG100G50-../DPE09XB4	525	90000	-
1.5	1.2	10300	1.8	1204	BG100G50-../DPE09XB4	525	90000	-

The torques marked (*) are maximum permissible torques for service factor f_B=1.0.

BG-series helical-geared motors

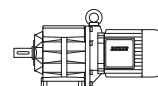
Selection helical-geared motors

1.5 kW



P _N [kW]	n ₂ [1/min]	50 Hz		i [:1]	Type	m [kg]	F _{RN} [N]	F _{RV} [N]
		M ₂ [Nm]	f _B [-]					
1.5	1.0	12900	1.45	1444	BG100G50-../DPE09XB4	525	90000	-
1.5	0.9	14300	1.3	1678	BG100G50-../DPE09XB4	525	90000	-
1.5	0.8	16100	1.15	1867	BG100G50-../DPE09XB4	525	90000	-
1.5	0.7	18400	1.0	2154	BG100G50-../DPE09XB4	525	90000	-

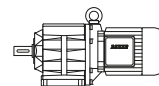
2.2 kW



P _N [kW]	n ₂ [1/min]	50 Hz		i [:1]	Type	m [kg]	F _{RN} [N]	F _{RV} [N]
		M ₂ [Nm]	f _B [-]					
2.2	580	36	1.55	2.52	BG10-../DPE09XB4C	30	570	790
2.2	425	49	1.25	3.42	BG10-../DPE09XB4C	30	630	880
2.2	335	62	1.1	4.36	BG10-../DPE09XB4C	30	650	910
2.2	275	76	0.99	5.34	BG10-../DPE09XB4C	30	620	910
2.2	215	97	0.91	6.89	BG10-../DPE09XB4C	30	850	1200
2.2	191	110	0.81	7.63	BG10-../DPE09XB4C	30	900	1250
2.2	580	36	2.3	2.52	BG20-../DPE09XB4C	32	1650	-
2.2	440	47.5	1.95	3.33	BG20-../DPE09XB4C	32	1830	-
2.2	335	62	1.7	4.38	BG20-../DPE09XB4C	32	1990	-
2.2	265	79	1.45	5.49	BG20-../DPE09XB4C	32	2100	-
2.2	240	87	1.45	6.06	BG20-../DPE09XB4C	32	2250	-
2.2	225	93	1.3	6.48	BG20-../DPE09XB4C	32	2250	-
2.2	220	95	1.35	6.73	BG20-../DPE09XB4C	32	2350	2100
2.2	181	116	1.2	8.02	BG20-../DPE09XB4C	32	2500	-
2.2	175	120	1.0	8.29	BG20-../DPE09XB4C	32	2250	-
2.2	163	128	1.1	8.91	BG20-../DPE09XB4C	32	2600	-
2.2	151	139	0.88	9.65	BG20-../DPE09XB4C	32	2250	-
2.2	138	152	1.0	10.54	BG20-../DPE09XB4C	32	2700	-
2.2	124	169	0.93	11.71	BG20-../DPE09XB4C	32	2800	-
2.2	110	191	0.87	13.21	BG20-../DPE09XB4C	32	2900	-
2.2	99	210	0.82	14.67	BG20-../DPE09XB4C	32	3050	-
2.2	94	220	0.8	15.58	BG20-../DPE09XB4C	32	3100	-
2.2	430	48.5	2.9	3.40	BG30-../DPE09XB4C	37	1580	-
2.2	345	60	2.9	4.21	BG30-../DPE09XB4C	37	1630	-
2.2	270	77	2.6	5.44	BG30-../DPE09XB4C	37	1670	-
2.2	215	97	2.3	6.76	BG30-../DPE09XB4C	37	2550	-
2.2	194	108	2.1	7.50	BG30-../DPE09XB4C	37	2750	-
2.2	184	114	1.9	7.91	BG30-../DPE09XB4C	37	1760	-
2.2	169	124	2.0	8.60	BG30-../DPE09XB4C	37	2800	-
2.2	152	138	1.85	9.55	BG30-../DPE09XB4C	37	3000	-
2.2	137	153	1.75	10.65	BG30-../DPE09XB4C	37	2950	-
2.2	123	170	1.6	11.82	BG30-../DPE09XB4C	37	3200	-
2.2	106	198	1.5	13.77	BG30-../DPE09XB4C	37	3150	-
2.2	95	220	1.35	15.27	BG30-../DPE09XB4C	37	3450	-
2.2	85	245	1.2	17.06	BG30-../DPE09XB4C	37	3700	-
2.2	77	270	1.1	18.93	BG30-../DPE09XB4C	37	4100	-
2.2	73	285	1.05	19.99	BG30-../DPE09XB4C	37	4200	-
2.2	66	315	0.95	22.18	BG30-../DPE09XB4C	37	4600	-
2.2	57	365	0.82	25.45	BG30-../DPE09XB4C	37	4850	-
2.2	235	89	3.3	6.29	BG40-../DPE09XB4C	51	2600	-
2.2	205	102	3.2	7.11	BG40-../DPE09XB4C	51	3950	-
2.2	191	110	2.7	7.62	BG40-../DPE09XB4C	51	2650	-
2.2	175	120	2.9	8.31	BG40-../DPE09XB4C	51	4100	-
2.2	162	129	2.3	9.00	BG40-../DPE09XB4C	51	2650	-
2.2	158	132	2.7	9.23	BG40-../DPE09XB4C	51	4350	-
2.2	141	149	2.5	10.35	BG40-../DPE09XB4C	51	4350	-
2.2	127	165	2.4	11.49	BG40-../DPE09XB4C	51	4600	-
2.2	113	185	2.2	12.86	BG40-../DPE09XB4C	51	4500	-
2.2	102	205	2.1	14.28	BG40-../DPE09XB4C	51	4900	-
2.2	89	235	1.8	16.39	BG40-../DPE09XB4C	51	5300	-
2.2	80	260	1.65	18.19	BG40-../DPE09XB4C	51	5600	-
2.2	74	280	1.5	19.84	BG40-../DPE09XB4C	51	5800	-
2.2	66	315	1.35	22.02	BG40-../DPE09XB4C	51	6000	-

The torques marked (*) are maximum permissible torques for service factor f_B=1.0.

2.2 kW



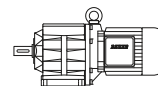
P _N [kW]	n ₂ [1/min]	50 Hz		i [:1]	Type	m [kg]	F _{RN} [N]	F _{RV} [N]
		M ₂ [Nm]	f _B [-]					
2.2	62	335	1.25	23.43	BG40-../DPE09XB4C	51	6200	-
2.2	56	375	1.15	26.01	BG40-../DPE09XB4C	51	6500	-
2.2	49.5	420	1.0	29.34	BG40-../DPE09XB4C	51	6800	-
2.2	45	465	0.91	32.57	BG40-../DPE09XB4C	51	7000	-
2.2	42.5	490	0.87	34.20	BG40-../DPE09XB4C	51	7000	-
2.2	121	173	3.3	12.06	BG50-../DPE09XB4C	59	5700	-
2.2	109	192	3.1	13.36	BG50-../DPE09XB4C	59	6100	-
2.2	88	235	2.7	16.53	BG50-../DPE09XB4C	59	6500	-
2.2	80	260	2.4	18.33	BG50-../DPE09XB4C	59	7200	-
2.2	67	310	2.0	21.96	BG50-../DPE09XB4C	59	8000	-
2.2	60	350	1.8	24.34	BG50-../DPE09XB4C	59	8700	-
2.2	49	425	1.5	29.62	BG50-../DPE09XB4C	59	8000	-
2.2	44.5	470	1.35	32.84	BG50-../DPE09XB4C	59	8700	-
2.2	38.5	540	1.15	37.89	BG50-../DPE09XB4C	59	10000	-
2.2	35	600	1.05	42.00	BG50-../DPE09XB4C	59	10000	-
2.2	31	670	0.94	47.02	BG50-../DPE09XB4C	59	10000	-
2.2	28	750	0.84	52.12	BG50-../DPE09XB4C	59	10000	-
2.2	49.5	420	2.9	29.31	BG60-../DPE09XB4C	90	14800	-
2.2	45	465	2.6	32.48	BG60-../DPE09XB4C	90	15400	-
2.2	37.5	560	2.1	38.85	BG60-../DPE09XB4C	90	16000	-
2.2	34	610	1.95	43.05	BG60-../DPE09XB4C	90	16000	-
2.2	29	720	1.65	50.31	BG60-../DPE09XB4C	90	16000	-
2.2	26.5	790	1.5	55.76	BG60-../DPE09XB4C	90	16000	-
2.2	24	870	1.4	60.90	BG60-../DPE09XB4C	90	16000	-
2.2	21.5	970	1.25	67.49	BG60-../DPE09XB4C	90	16000	-
2.2	19.5	1070	1.1	75.71	BG60Z-../DPE09XB4C	109	16000	-
2.2	16	1310	0.92	91.09	BG60Z-../DPE09XB4C	109	16000	-
2.2	14.5	1440	0.83	101.0	BG60Z-../DPE09XB4C	109	16000	-
2.2	29	720	3.2	50.40	BG70-../DPE09XB4C	128	20000	-
2.2	24.5	850	2.7	59.82	BG70-../DPE09XB4C	128	20000	-
2.2	22.5	930	2.5	64.85	BG70Z-../DPE09XB4C	149	20000	-
2.2	20	1050	2.2	73.82	BG70Z-../DPE09XB4C	149	20000	-
2.2	17	1230	1.85	87.61	BG70Z-../DPE09XB4C	149	20000	-
2.2	15.5	1350	1.7	95.74	BG70Z-../DPE09XB4C	149	20000	-
2.2	13	1610	1.45	113.6	BG70Z-../DPE09XB4C	149	20000	-
2.2	12	1750	1.3	124.0	BG70Z-../DPE09XB4C	149	20000	-
2.2	9.9	2100	1.1	147.2	BG70Z-../DPE09XB4C	149	20000	-
2.2	8.9	2350	0.98	163.8	BG70Z-../DPE09XB4C	149	20000	-
2.2	7.5	2800	0.82	194.4	BG70Z-../DPE09XB4C	149	20000	-
2.2	15.5	1350	3.1	93.89	BG80Z-../DPE09XB4C	217	26000	-
2.2	13	1610	2.6	112.4	BG80Z-../DPE09XB4C	217	26000	-
2.2	12	1750	2.4	124.8	BG80Z-../DPE09XB4C	217	26000	-
2.2	10	2100	2.0	145.4	BG80Z-../DPE09XB4C	217	26000	-
2.2	9.0	2300	1.85	161.5	BG80Z-../DPE09XB4C	217	26000	-
2.2	7.8	2650	1.6	186.8	BG80Z-../DPE09XB4C	217	26000	-
2.2	7.0	3000	1.4	207.4	BG80Z-../DPE09XB4C	217	26000	-
2.2	6.4	3000	1.55	227.2	BG80G40-../DPE09XB4C	228	26000	-
2.2	5.8	3300	1.4	252.3	BG80G40-../DPE09XB4C	228	26000	-
2.2	5.2	3700	1.25	282.8	BG80G40-../DPE09XB4C	228	26000	-
2.2	4.7	4100	1.1	314.0	BG80G40-../DPE09XB4C	228	26000	-
2.2	4.1	4750	0.97	360.0	BG80G40-../DPE09XB4C	228	26000	-
2.2	3.7	5300	0.87	399.8	BG80G40-../DPE09XB4C	228	26000	-
2.2	8.2	2550	3.3	178.5	BG90Z-../DPE09XB4C	327	65000	-
2.2	7.0	3000	2.8	208.3	BG90Z-../DPE09XB4C	327	65000	-
2.2	6.4	3250	2.6	228.1	BG90Z-../DPE09XB4C	327	65000	-
2.2	5.6	3300	2.8	262.5	BG90G50-../DPE09XB4C	338	65000	-
2.2	4.9	4000	2.3	298.8	BG90G50-../DPE09XB4C	338	65000	-
2.2	4.1	4600	2.0	360.3	BG90G50-../DPE09XB4C	338	65000	-
2.2	3.4	5700	1.6	435.8	BG90G50-../DPE09XB4C	338	65000	-
2.2	2.9	6700	1.35	504.7	BG90G50-../DPE09XB4C	338	65000	-
2.2	2.5	7800	1.2	588.8	BG90G50-../DPE09XB4C	338	65000	-
2.2	2.3	8500	1.1	644.7	BG90G50-../DPE09XB4C	338	65000	-
2.2	2.1	9300	0.99	714.2	BG90G50-../DPE09XB4C	338	65000	-
2.2	3.2	6500	2.8	456.7	BG100Z-../DPE09XB4C	526	90000	-

The torques marked (*) are maximum permissible torques for service factor f_B=1.0.

BG-series helical-geared motors

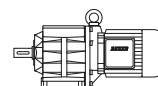
Selection helical-geared motors

2.2 kW



P _N [kW]	n ₂ [1/min]	50 Hz		i [:1]	Type	m [kg]	F _{RN} [N]	F _{RV} [N]
		M ₂ [Nm]	f _B [-]					
2.2	2.9	7200	2.6	508.5	BG100Z-../DPE09XB4C	526	90000	-
2.2	2.5	8400	2.2	591.1	BG100Z-../DPE09XB4C	526	90000	-
2.2	2.3	9100	2.0	658.1	BG100Z-../DPE09XB4C	526	90000	-
2.2	2.0	10500	1.75	759.0	BG100Z-../DPE09XB4C	526	90000	-
2.2	1.8	11600	1.6	845.1	BG100Z-../DPE09XB4C	526	90000	-
2.2	1.5	12400	1.5	976.1	BG100G50-../DPE09XB4C	525	90000	-
2.2	1.4	13600	1.35	1043	BG100G50-../DPE09XB4C	525	90000	-
2.2	1.3	14500	1.3	1204	BG100G50-../DPE09XB4C	525	90000	-
2.2	1.1	17700	1.05	1444	BG100G50-../DPE09XB4C	525	90000	-

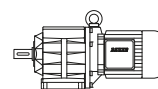
3 kW



P _N [kW]	n ₂ [1/min]	50 Hz		i [:1]	Type	m [kg]	F _{RN} [N]	F _{RV} [N]
		M ₂ [Nm]	f _B [-]					
3	550	52	2.5	2.67	BG30-../DPE11LA4	58	1450	-
3	430	66	2.1	3.40	BG30-../DPE11LA4	58	1580	-
3	350	81	2.1	4.21	BG30-../DPE11LA4	58	1630	-
3	270	106	1.9	5.44	BG30-../DPE11LA4	58	1670	-
3	220	130	1.75	6.76	BG30-../DPE11LA4	58	2550	-
3	194	147	1.55	7.50	BG30-../DPE11LA4	58	2750	-
3	184	155	1.4	7.91	BG30-../DPE11LA4	58	1760	-
3	170	168	1.45	8.60	BG30-../DPE11LA4	58	2800	-
3	153	187	1.35	9.55	BG30-../DPE11LA4	58	3000	-
3	137	205	1.3	10.65	BG30-../DPE11LA4	58	2950	-
3	124	230	1.2	11.82	BG30-../DPE11LA4	58	3200	-
3	106	270	1.1	13.77	BG30-../DPE11LA4	58	3150	-
3	96	295	1.0	15.27	BG30-../DPE11LA4	58	3450	-
3	86	330	0.91	17.06	BG30-../DPE11LA4	58	3700	-
3	77	370	0.81	18.93	BG30-../DPE11LA4	58	4100	-
3	370	77	3.2	3.97	BG40-../DPE11LA4	77	2400	-
3	295	97	2.8	4.94	BG40-../DPE11LA4	77	2450	-
3	235	121	2.4	6.29	BG40-../DPE11LA4	77	2600	-
3	230	124	2.5	6.40	BG40-../DPE11LA4	77	3750	-
3	205	139	2.3	7.11	BG40-../DPE11LA4	77	3950	-
3	191	150	1.95	7.62	BG40-../DPE11LA4	77	2650	-
3	176	162	2.1	8.31	BG40-../DPE11LA4	77	4100	-
3	162	176	1.7	9.00	BG40-../DPE11LA4	77	2650	-
3	158	181	1.95	9.23	BG40-../DPE11LA4	77	4350	-
3	141	200	1.9	10.35	BG40-../DPE11LA4	77	4350	-
3	127	225	1.75	11.49	BG40-../DPE11LA4	77	4600	-
3	114	250	1.65	12.86	BG40-../DPE11LA4	77	4500	-
3	102	280	1.5	14.28	BG40-../DPE11LA4	77	4900	-
3	89	320	1.35	16.39	BG40-../DPE11LA4	77	5300	-
3	80	355	1.2	18.19	BG40-../DPE11LA4	77	5600	-
3	74	385	1.1	19.84	BG40-../DPE11LA4	77	5800	-
3	67	425	1.0	22.02	BG40-../DPE11LA4	77	6000	-
3	63	450	0.94	23.43	BG40-../DPE11LA4	77	6200	-
3	56	510	0.83	26.01	BG40-../DPE11LA4	77	6500	-
3	168	170	3.0	8.70	BG50-../DPE11LA4	86	5300	-
3	151	189	2.8	9.65	BG50-../DPE11LA4	86	5600	-
3	121	235	2.5	12.06	BG50-../DPE11LA4	86	5700	-
3	109	260	2.3	13.36	BG50-../DPE11LA4	86	6100	-
3	89	320	1.95	16.53	BG50-../DPE11LA4	86	6500	-
3	80	355	1.75	18.33	BG50-../DPE11LA4	86	7200	-
3	67	425	1.5	21.96	BG50-../DPE11LA4	86	8000	-
3	60	475	1.35	24.34	BG50-../DPE11LA4	86	8700	-
3	49.5	570	1.1	29.62	BG50-../DPE11LA4	86	8000	-
3	44.5	640	0.98	32.84	BG50-../DPE11LA4	86	8700	-
3	38.5	740	0.85	37.89	BG50-../DPE11LA4	86	10000	-
3	79	360	3.2	18.62	BG60-../DPE11LA4	119	12400	-
3	65	440	2.7	22.40	BG60-../DPE11LA4	119	13300	-
3	59	485	2.5	24.82	BG60-../DPE11LA4	119	13800	-

The torques marked (*) are maximum permissible torques for service factor f_B=1.0.

3 kW



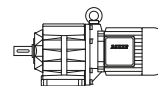
P _N [kW]	n ₂ [1/min]	50 Hz		i [:1]	Type	m [kg]	F _{RN} [N]	F _{RV} [N]
		M ₂ [Nm]	f _B [-]					
3	50	570	2.1	29.31	BG60-../DPE11LA4	119	14800	-
3	45	630	1.9	32.48	BG60-../DPE11LA4	119	15400	-
3	37.5	760	1.6	38.85	BG60-../DPE11LA4	119	16000	-
3	34	840	1.45	43.05	BG60-../DPE11LA4	119	16000	-
3	29	980	1.2	50.31	BG60-../DPE11LA4	119	16000	-
3	26.5	1080	1.1	55.76	BG60-../DPE11LA4	119	16000	-
3	24	1190	1.0	60.90	BG60-../DPE11LA4	119	16000	-
3	22	1300	0.92	67.49	BG60-../DPE11LA4	119	16000	-
3	21.5	1330	0.9	68.32	BG60Z-../DPE11LA4	135	16000	-
3	19.5	1460	0.82	75.71	BG60Z-../DPE11LA4	135	16000	-
3	41.5	690	3.3	35.24	BG70-../DPE11LA4	149	18300	-
3	37.5	760	3.0	39.22	BG70-../DPE11LA4	149	19100	-
3	31.5	900	2.6	46.54	BG70-../DPE11LA4	149	20000	-
3	29	980	2.3	50.40	BG70-../DPE11LA4	149	20000	-
3	24.5	1160	2.0	59.82	BG70-../DPE11LA4	149	20000	-
3	22.5	1270	1.8	64.85	BG70Z-../DPE11LA4	176	20000	-
3	20	1430	1.6	73.82	BG70Z-../DPE11LA4	176	20000	-
3	17	1680	1.35	87.61	BG70Z-../DPE11LA4	176	20000	-
3	15.5	1840	1.25	95.74	BG70Z-../DPE11LA4	176	20000	-
3	13	2200	1.05	113.6	BG70Z-../DPE11LA4	176	20000	-
3	12	2350	0.98	124.0	BG70Z-../DPE11LA4	176	20000	-
3	9.9	2850	0.81	147.2	BG70Z-../DPE11LA4	176	20000	-
3	22	1300	3.2	66.40	BG80Z-../DPE11LA4	246	26000	-
3	20	1430	2.9	73.73	BG80Z-../DPE11LA4	246	26000	-
3	17.5	1630	2.6	84.55	BG80Z-../DPE11LA4	246	26000	-
3	15.5	1840	2.3	93.89	BG80Z-../DPE11LA4	246	26000	-
3	13	2200	1.9	112.4	BG80Z-../DPE11LA4	246	26000	-
3	12	2350	1.8	124.8	BG80Z-../DPE11LA4	246	26000	-
3	10.5	2700	1.55	145.4	BG80Z-../DPE11LA4	246	26000	-
3	9.1	3100	1.35	161.5	BG80Z-../DPE11LA4	246	26000	-
3	7.8	3650	1.15	186.8	BG80Z-../DPE11LA4	246	26000	-
3	7.1	4000	1.05	207.4	BG80Z-../DPE11LA4	246	26000	-
3	6.5	4100	1.1	227.2	BG80G40-../DPE11LA4	254	26000	-
3	5.8	4600	1.0	252.3	BG80G40-../DPE11LA4	254	26000	-
3	5.2	5200	0.88	282.8	BG80G40-../DPE11LA4	254	26000	-
3	4.7	5700	0.81	314.0	BG80G40-../DPE11LA4	254	26000	-
3	10.5	2700	3.1	139.2	BG90Z-../DPE11LA4	348	65000	-
3	9.0	3150	2.7	163.0	BG90Z-../DPE11LA4	348	65000	-
3	8.2	3450	2.4	178.5	BG90Z-../DPE11LA4	348	65000	-
3	7.0	4050	2.1	208.3	BG90Z-../DPE11LA4	348	65000	-
3	6.4	4450	1.9	228.1	BG90Z-../DPE11LA4	348	65000	-
3	5.6	4650	2.0	262.5	BG90G50-../DPE11LA4	365	65000	-
3	4.9	5500	1.65	298.8	BG90G50-../DPE11LA4	365	65000	-
3	4.1	6500	1.4	360.3	BG90G50-../DPE11LA4	365	65000	-
3	3.4	8000	1.15	435.8	BG90G50-../DPE11LA4	365	65000	-
3	2.9	9300	0.99	504.7	BG90G50-../DPE11LA4	365	65000	-
3	2.5	10800	0.85	588.8	BG90G50-../DPE11LA4	365	65000	-
3	4.9	5800	3.2	300.4	BG100Z-../DPE11LA4	555	90000	-
3	4.3	6600	2.8	343.6	BG100Z-../DPE11LA4	555	90000	-
3	3.9	7300	2.5	382.6	BG100Z-../DPE11LA4	555	90000	-
3	3.2	8900	2.1	456.7	BG100Z-../DPE11LA4	555	90000	-
3	2.9	9800	1.9	508.5	BG100Z-../DPE11LA4	555	90000	-
3	2.5	11400	1.6	591.1	BG100Z-../DPE11LA4	555	90000	-
3	2.3	12400	1.5	658.1	BG100Z-../DPE11LA4	555	90000	-
3	2.0	14300	1.3	759.0	BG100Z-../DPE11LA4	555	90000	-
3	1.8	15900	1.15	845.1	BG100Z-../DPE11LA4	555	90000	-
3	1.5	17500	1.05	976.1	BG100G50-../DPE11LA4	552	90000	-
3	1.4	19000	0.97	1043	BG100G50-../DPE11LA4	552	90000	-
3	1.3	20400	0.91	1204	BG100G50-../DPE11LA4	552	90000	-

The torques marked (*) are maximum permissible torques for service factor f_B=1.0.

BG-series helical-geared motors

Selection helical-geared motors

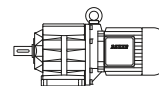
4 kW



P _N [kW]	n ₂ [1/min]	50 Hz		i [:1]	Type	m [kg]	F _{RN} [N]	F _{RV} [N]
		M ₂ [Nm]	f _B [-]					
4	550	69	1.85	2.67	BG30-../DPE11LB4	58	1450	-
4	430	88	1.6	3.40	BG30-../DPE11LB4	58	1580	-
4	345	110	1.55	4.21	BG30-../DPE11LB4	58	1630	-
4	270	141	1.4	5.44	BG30-../DPE11LB4	58	1670	-
4	215	177	1.3	6.76	BG30-../DPE11LB4	58	2550	-
4	194	196	1.2	7.50	BG30-../DPE11LB4	58	2750	-
4	184	205	1.05	7.91	BG30-../DPE11LB4	58	1760	-
4	169	225	1.1	8.60	BG30-../DPE11LB4	58	2800	-
4	152	250	1.0	9.55	BG30-../DPE11LB4	58	3000	-
4	137	275	0.97	10.65	BG30-../DPE11LB4	58	2950	-
4	123	310	0.88	11.82	BG30-../DPE11LB4	58	3200	-
4	106	360	0.82	13.77	BG30-../DPE11LB4	58	3150	-
4	590	64	3.2	2.46	BG40-../DPE11LB4	77	2150	-
4	455	83	2.7	3.19	BG40-../DPE11LB4	77	2350	-
4	370	103	2.4	3.97	BG40-../DPE11LB4	77	2400	-
4	295	129	2.1	4.94	BG40-../DPE11LB4	77	2450	-
4	235	162	1.8	6.29	BG40-../DPE11LB4	77	2600	-
4	230	166	1.9	6.40	BG40-../DPE11LB4	77	3750	-
4	205	186	1.75	7.11	BG40-../DPE11LB4	77	3950	-
4	191	200	1.5	7.62	BG40-../DPE11LB4	77	2650	-
4	175	215	1.6	8.31	BG40-../DPE11LB4	77	4100	-
4	162	235	1.25	9.00	BG40-../DPE11LB4	77	2650	-
4	158	240	1.5	9.23	BG40-../DPE11LB4	77	4350	-
4	141	270	1.4	10.35	BG40-../DPE11LB4	77	4350	-
4	127	300	1.3	11.49	BG40-../DPE11LB4	77	4600	-
4	113	335	1.25	12.86	BG40-../DPE11LB4	77	4500	-
4	102	370	1.15	14.28	BG40-../DPE11LB4	77	4900	-
4	89	425	1.0	16.39	BG40-../DPE11LB4	77	5300	-
4	80	475	0.89	18.19	BG40-../DPE11LB4	77	5600	-
4	74	510	0.83	19.84	BG40-../DPE11LB4	77	5800	-
4	300	127	3.1	4.91	BG50-../DPE11LB4	86	3500	-
4	240	159	2.8	6.07	BG50-../DPE11LB4	86	4700	-
4	220	173	2.6	6.74	BG50-../DPE11LB4	86	3750	-
4	167	225	2.3	8.70	BG50-../DPE11LB4	86	5300	-
4	151	250	2.1	9.65	BG50-../DPE11LB4	86	5600	-
4	121	315	1.85	12.06	BG50-../DPE11LB4	86	5700	-
4	109	350	1.7	13.36	BG50-../DPE11LB4	86	6100	-
4	88	430	1.45	16.53	BG50-../DPE11LB4	86	6500	-
4	80	475	1.35	18.33	BG50-../DPE11LB4	86	7200	-
4	67	570	1.1	21.96	BG50-../DPE11LB4	86	8000	-
4	60	630	1.0	24.34	BG50-../DPE11LB4	86	8700	-
4	49	770	0.82	29.62	BG50-../DPE11LB4	86	8000	-
4	120	315	3.1	12.16	BG60-../DPE11LB4	119	10800	-
4	108	350	2.9	13.47	BG60-../DPE11LB4	119	11200	-
4	87	435	2.5	16.80	BG60-../DPE11LB4	119	12000	-
4	78	485	2.4	18.62	BG60-../DPE11LB4	119	12400	-
4	65	580	2.1	22.40	BG60-../DPE11LB4	119	13300	-
4	59	640	1.9	24.82	BG60-../DPE11LB4	119	13800	-
4	49.5	770	1.55	29.31	BG60-../DPE11LB4	119	14800	-
4	45	840	1.45	32.48	BG60-../DPE11LB4	119	15400	-
4	37.5	1010	1.2	38.85	BG60-../DPE11LB4	119	16000	-
4	34	1120	1.05	43.05	BG60-../DPE11LB4	119	16000	-
4	29	1310	0.92	50.31	BG60-../DPE11LB4	119	16000	-
4	26.5	1440	0.83	55.76	BG60-../DPE11LB4	119	16000	-
4	54	700	3.3	27.21	BG70-../DPE11LB4	149	16400	-
4	49	770	3.0	29.69	BG70-../DPE11LB4	149	16900	-
4	41.5	920	2.5	35.24	BG70-../DPE11LB4	149	18300	-
4	37	1030	2.2	39.22	BG70-../DPE11LB4	149	19100	-
4	31.5	1210	1.9	46.54	BG70-../DPE11LB4	149	20000	-
4	29	1310	1.75	50.40	BG70-../DPE11LB4	149	20000	-
4	24.5	1550	1.5	59.82	BG70-../DPE11LB4	149	20000	-
4	22.5	1690	1.35	64.85	BG70Z-../DPE11LB4	176	20000	-
4	20	1910	1.2	73.82	BG70Z-../DPE11LB4	176	20000	-
4	17	2200	1.05	87.61	BG70Z-../DPE11LB4	176	20000	-
4	15.5	2450	0.94	95.74	BG70Z-../DPE11LB4	176	20000	-

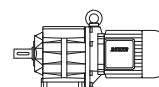
The torques marked (*) are maximum permissible torques for service factor f_B=1.0.

4 kW



P _N [kW]	n ₂ [1/min]	50 Hz		i [:1]	Type	m [kg]	F _{RN} [N]	F _{RV} [N]
		M ₂ [Nm]	f _B [—]					
4	30	1270	3.3	48.80	BG80-../DPE11LB4	204	23800	-
4	25.5	1490	2.8	57.24	BG80-../DPE11LB4	204	25400	-
4	23	1660	2.5	63.56	BG80-../DPE11LB4	204	26000	-
4	22	1730	2.4	66.40	BG80Z-../DPE11LB4	246	26000	-
4	20	1910	2.2	73.73	BG80Z-../DPE11LB4	246	26000	-
4	17.5	2150	1.95	84.55	BG80Z-../DPE11LB4	246	26000	-
4	15.5	2450	1.7	93.89	BG80Z-../DPE11LB4	246	26000	-
4	13	2900	1.45	112.4	BG80Z-../DPE11LB4	246	26000	-
4	12	3150	1.35	124.8	BG80Z-../DPE11LB4	246	26000	-
4	10	3800	1.1	145.4	BG80Z-../DPE11LB4	246	26000	-
4	9.0	4200	1.0	161.5	BG80Z-../DPE11LB4	246	26000	-
4	7.8	4850	0.87	186.8	BG80Z-../DPE11LB4	246	26000	-
4	6.4	5600	0.82	227.2	BG80G40-../DPE11LB4	254	26000	-
4	14	2700	3.1	105.7	BG90Z-../DPE11LB4	348	65000	-
4	11.5	3300	2.5	127.1	BG90Z-../DPE11LB4	348	65000	-
4	10.5	3600	2.3	139.2	BG90Z-../DPE11LB4	348	65000	-
4	8.9	4250	2.0	163.0	BG90Z-../DPE11LB4	348	65000	-
4	8.2	4650	1.8	178.5	BG90Z-../DPE11LB4	348	65000	-
4	7.0	5400	1.55	208.3	BG90Z-../DPE11LB4	348	65000	-
4	6.4	5900	1.4	228.1	BG90Z-../DPE11LB4	348	65000	-
4	5.6	6300	1.45	262.5	BG90G50-../DPE11LB4	365	65000	-
4	4.9	7500	1.25	298.8	BG90G50-../DPE11LB4	365	65000	-
4	4.1	8800	1.05	360.3	BG90G50-../DPE11LB4	365	65000	-
4	3.4	10800	0.85	435.8	BG90G50-../DPE11LB4	365	65000	-
4	7.3	5200	3.2	198.8	BG100-../DPE11LB4	465	90000	-
4	6.3	6000	2.8	232.6	BG100-../DPE11LB4	465	90000	-
4	5.6	6800	2.5	259.0	BG100-../DPE11LB4	465	90000	-
4	5.4	7000	2.6	269.8	BG100Z-../DPE11LB4	555	90000	-
4	4.9	7700	2.4	300.4	BG100Z-../DPE11LB4	555	90000	-
4	4.3	8800	2.1	343.6	BG100Z-../DPE11LB4	555	90000	-
4	3.8	10000	1.85	382.6	BG100Z-../DPE11LB4	555	90000	-
4	3.2	11900	1.55	456.7	BG100Z-../DPE11LB4	555	90000	-
4	2.9	13100	1.4	508.5	BG100Z-../DPE11LB4	555	90000	-
4	2.5	15200	1.2	591.1	BG100Z-../DPE11LB4	555	90000	-
4	2.3	16600	1.1	658.1	BG100Z-../DPE11LB4	555	90000	-
4	2.0	19100	0.97	759.0	BG100Z-../DPE11LB4	555	90000	-
4	1.8	21200	0.87	845.1	BG100Z-../DPE11LB4	555	90000	-

5.5 kW



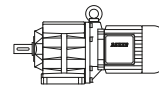
P _N [kW]	n ₂ [1/min]	50 Hz		i [:1]	Type	m [kg]	F _{RN} [N]	F _{RV} [N]
		M ₂ [Nm]	f _B [—]					
5.5	550	95	1.35	2.67	BG30-../DPE11LB4C	62	1450	-
5.5	435	120	1.15	3.40	BG30-../DPE11LB4C	62	1580	-
5.5	350	150	1.15	4.21	BG30-../DPE11LB4C	62	1630	-
5.5	270	194	1.05	5.44	BG30-../DPE11LB4C	62	1670	-
5.5	220	235	0.96	6.76	BG30-../DPE11LB4C	62	2550	-
5.5	196	265	0.87	7.50	BG30-../DPE11LB4C	62	2750	-
5.5	171	305	0.81	8.60	BG30-../DPE11LB4C	62	2800	-
5.5	600	87	2.3	2.46	BG40-../DPE11LB4C	81	2150	-
5.5	460	114	1.95	3.19	BG40-../DPE11LB4C	81	2350	-
5.5	370	141	1.75	3.97	BG40-../DPE11LB4C	81	2400	-
5.5	300	175	1.55	4.94	BG40-../DPE11LB4C	81	2450	-
5.5	235	220	1.35	6.29	BG40-../DPE11LB4C	81	2600	-
5.5	230	225	1.4	6.40	BG40-../DPE11LB4C	81	3750	-
5.5	210	250	1.3	7.11	BG40-../DPE11LB4C	81	3950	-
5.5	193	270	1.1	7.62	BG40-../DPE11LB4C	81	2650	-
5.5	177	295	1.15	8.31	BG40-../DPE11LB4C	81	4100	-
5.5	163	320	0.92	9.00	BG40-../DPE11LB4C	81	2650	-
5.5	159	330	1.1	9.23	BG40-../DPE11LB4C	81	4350	-
5.5	142	365	1.05	10.35	BG40-../DPE11LB4C	81	4350	-
5.5	128	410	0.95	11.49	BG40-../DPE11LB4C	81	4600	-

The torques marked (*) are maximum permissible torques for service factor f_B=1.0.

BG-series helical-geared motors

Selection helical-geared motors

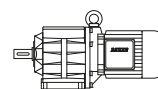
5.5 kW



P _N [kW]	n ₂ [1/min]	50 Hz		i [:1]	Type	m [kg]	F _{RN} [N]	F _{RV} [N]
		M ₂ [Nm]	f _B [-]					
5.5	114	460	0.89	12.86	BG40-../DPE11LB4C	81	4500	-
5.5	103	500	0.84	14.28	BG40-../DPE11LB4C	81	4900	-
5.5	415	126	2.8	3.55	BG50-../DPE11LB4C	90	3300	-
5.5	300	175	2.3	4.91	BG50-../DPE11LB4C	90	3500	-
5.5	245	210	2.1	6.07	BG50-../DPE11LB4C	90	4700	-
5.5	220	235	1.9	6.74	BG50-../DPE11LB4C	90	3750	-
5.5	169	310	1.65	8.70	BG50-../DPE11LB4C	90	5300	-
5.5	152	345	1.5	9.65	BG50-../DPE11LB4C	90	5600	-
5.5	122	430	1.35	12.06	BG50-../DPE11LB4C	90	5700	-
5.5	110	475	1.25	13.36	BG50-../DPE11LB4C	90	6100	-
5.5	89	590	1.05	16.53	BG50-../DPE11LB4C	90	6500	-
5.5	80	650	0.97	18.33	BG50-../DPE11LB4C	90	7200	-
5.5	67	780	0.81	21.96	BG50-../DPE11LB4C	90	8000	-
5.5	215	240	3.3	6.88	BG60-../DPE11LB4C	123	8600	-
5.5	161	325	2.7	9.13	BG60-../DPE11LB4C	123	9800	-
5.5	145	360	2.5	10.12	BG60-../DPE11LB4C	123	10200	-
5.5	121	430	2.3	12.16	BG60-../DPE11LB4C	123	10800	-
5.5	109	480	2.1	13.47	BG60-../DPE11LB4C	123	11200	-
5.5	88	590	1.9	16.80	BG60-../DPE11LB4C	123	12000	-
5.5	79	660	1.75	18.62	BG60-../DPE11LB4C	123	12400	-
5.5	66	790	1.5	22.40	BG60-../DPE11LB4C	123	13300	-
5.5	60	870	1.4	24.82	BG60-../DPE11LB4C	123	13800	-
5.5	50	1050	1.15	29.31	BG60-../DPE11LB4C	123	14800	-
5.5	45.5	1150	1.05	32.48	BG60-../DPE11LB4C	123	15400	-
5.5	38	1380	0.87	38.85	BG60-../DPE11LB4C	123	16000	-
5.5	70	750	3.1	20.98	BG70-../DPE11LB4C	153	14600	-
5.5	64	820	2.8	22.92	BG70-../DPE11LB4C	153	15100	-
5.5	54	970	2.4	27.21	BG70-../DPE11LB4C	153	16400	-
5.5	49.5	1060	2.2	29.69	BG70-../DPE11LB4C	153	16900	-
5.5	42	1250	1.85	35.24	BG70-../DPE11LB4C	153	18300	-
5.5	37.5	1400	1.65	39.22	BG70-../DPE11LB4C	153	19100	-
5.5	31.5	1660	1.4	46.54	BG70-../DPE11LB4C	153	20000	-
5.5	29.5	1780	1.3	50.40	BG70-../DPE11LB4C	153	20000	-
5.5	24.5	2100	1.1	59.82	BG70-../DPE11LB4C	153	20000	-
5.5	23	2250	1.0	64.85	BG70Z-../DPE11LB4C	180	20000	-
5.5	20	2600	0.88	73.82	BG70Z-../DPE11LB4C	180	20000	-
5.5	39	1340	3.1	38.00	BG80-../DPE11LB4C	208	21300	-
5.5	33.5	1560	2.7	43.94	BG80-../DPE11LB4C	208	22600	-
5.5	30.5	1720	2.4	48.80	BG80-../DPE11LB4C	208	23800	-
5.5	26	2000	2.1	57.24	BG80-../DPE11LB4C	208	25400	-
5.5	23.5	2200	1.9	63.56	BG80-../DPE11LB4C	208	26000	-
5.5	22.5	2300	1.85	66.40	BG80Z-../DPE11LB4C	250	26000	-
5.5	20	2600	1.6	73.73	BG80Z-../DPE11LB4C	250	26000	-
5.5	17.5	3000	1.4	84.55	BG80Z-../DPE11LB4C	250	26000	-
5.5	16	3250	1.3	93.89	BG80Z-../DPE11LB4C	250	26000	-
5.5	13.5	3850	1.1	112.4	BG80Z-../DPE11LB4C	250	26000	-
5.5	12	4350	0.97	124.8	BG80Z-../DPE11LB4C	250	26000	-
5.5	10.5	5000	0.84	145.4	BG80Z-../DPE11LB4C	250	26000	-
5.5	19.5	2650	3.2	76.61	BG90Z-../DPE11LB4C	352	65000	-
5.5	17.5	3000	2.8	83.91	BG90Z-../DPE11LB4C	352	65000	-
5.5	15.5	3350	2.5	96.53	BG90Z-../DPE11LB4C	352	65000	-
5.5	14	3750	2.2	105.7	BG90Z-../DPE11LB4C	352	65000	-
5.5	12	4350	1.95	127.1	BG90Z-../DPE11LB4C	352	65000	-
5.5	11	4750	1.75	139.2	BG90Z-../DPE11LB4C	352	65000	-
5.5	9.0	5800	1.45	163.0	BG90Z-../DPE11LB4C	352	65000	-
5.5	8.3	6300	1.35	178.5	BG90Z-../DPE11LB4C	352	65000	-
5.5	7.1	7300	1.15	208.3	BG90Z-../DPE11LB4C	352	65000	-
5.5	6.5	8000	1.05	228.1	BG90Z-../DPE11LB4C	352	65000	-
5.5	5.6	8900	1.05	262.5	BG90G50-../DPE11LB4C	369	65000	-
5.5	5.0	10200	0.9	298.8	BG90G50-../DPE11LB4C	369	65000	-
5.5	9.5	5500	3.1	154.8	BG100-../DPE11LB4C	469	90000	-
5.5	8.3	6300	2.7	178.6	BG100-../DPE11LB4C	469	90000	-
5.5	7.4	7000	2.4	198.8	BG100-../DPE11LB4C	469	90000	-
5.5	6.3	8300	2.0	232.6	BG100-../DPE11LB4C	469	90000	-

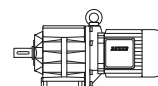
The torques marked (*) are maximum permissible torques for service factor f_B=1.0.

5.5 kW



P _N [kW]	n ₂ [1/min]	50 Hz		i [:1]	Type	m [kg]	F _{RN} [N]	F _{RV} [N]
		M ₂ [Nm]	f _B [—]					
5.5	5.7	9200	1.85	259.0	BG100-../DPE11LB4C	469	90000	-
5.5	5.5	9500	1.95	269.8	BG100Z-../DPE11LB4C	559	90000	-
5.5	4.9	10700	1.75	300.4	BG100Z-../DPE11LB4C	559	90000	-
5.5	4.3	12200	1.5	343.6	BG100Z-../DPE11LB4C	559	90000	-
5.5	3.9	13400	1.4	382.6	BG100Z-../DPE11LB4C	559	90000	-
5.5	3.3	15900	1.15	456.7	BG100Z-../DPE11LB4C	559	90000	-
5.5	2.9	18100	1.0	508.5	BG100Z-../DPE11LB4C	559	90000	-
5.5	2.5	21000	0.88	591.1	BG100Z-../DPE11LB4C	559	90000	-
5.5	2.3	22800	0.81	658.1	BG100Z-../DPE11LB4C	559	90000	-

7.5 kW



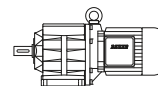
P _N [kW]	n ₂ [1/min]	50 Hz		i [:1]	Type	m [kg]	F _{RN} [N]	F _{RV} [N]
		M ₂ [Nm]	f _B [—]					
7.5	600	119	2.6	2.47	BG50-../DPE13XA4	102	2900	-
7.5	415	172	2.0	3.55	BG50-../DPE13XA4	102	3300	-
7.5	300	235	1.7	4.91	BG50-../DPE13XA4	102	3500	-
7.5	245	290	1.55	6.07	BG50-../DPE13XA4	102	4700	-
7.5	220	325	1.4	6.74	BG50-../DPE13XA4	102	3750	-
7.5	168	425	1.2	8.70	BG50-../DPE13XA4	102	5300	-
7.5	152	470	1.1	9.65	BG50-../DPE13XA4	102	5600	-
7.5	122	580	0.99	12.06	BG50-../DPE13XA4	102	5700	-
7.5	110	650	0.91	13.36	BG50-../DPE13XA4	102	6100	-
7.5	295	240	2.9	4.98	BG60-../DPE13XA4	136	7800	-
7.5	240	295	2.6	6.16	BG60-../DPE13XA4	136	8500	-
7.5	215	330	2.4	6.88	BG60-../DPE13XA4	136	8600	-
7.5	160	445	2.0	9.13	BG60-../DPE13XA4	136	9800	-
7.5	145	490	1.85	10.12	BG60-../DPE13XA4	136	10200	-
7.5	121	590	1.7	12.16	BG60-../DPE13XA4	136	10800	-
7.5	109	650	1.55	13.47	BG60-../DPE13XA4	136	11200	-
7.5	87	820	1.35	16.80	BG60-../DPE13XA4	136	12000	-
7.5	79	900	1.25	18.62	BG60-../DPE13XA4	136	12400	-
7.5	66	1080	1.1	22.40	BG60-../DPE13XA4	136	13300	-
7.5	59	1210	0.99	24.82	BG60-../DPE13XA4	136	13800	-
7.5	50	1430	0.84	29.31	BG60-../DPE13XA4	136	14800	-
7.5	95	750	3.1	15.53	BG70-../DPE13XA4	166	12700	-
7.5	83	860	2.7	17.68	BG70-../DPE13XA4	166	13400	-
7.5	70	1020	2.3	20.98	BG70-../DPE13XA4	166	14600	-
7.5	64	1110	2.1	22.92	BG70-../DPE13XA4	166	15100	-
7.5	54	1320	1.75	27.21	BG70-../DPE13XA4	166	16400	-
7.5	49.5	1440	1.6	29.69	BG70-../DPE13XA4	166	16900	-
7.5	41.5	1720	1.35	35.24	BG70-../DPE13XA4	166	18300	-
7.5	37.5	1910	1.2	39.22	BG70-../DPE13XA4	166	19100	-
7.5	31.5	2250	1.0	46.54	BG70-../DPE13XA4	166	20000	-
7.5	29	2450	0.94	50.40	BG70-../DPE13XA4	166	20000	-
7.5	56	1270	3.3	26.44	BG80-../DPE13XA4	220	17900	-
7.5	50	1430	2.9	29.36	BG80-../DPE13XA4	220	18900	-
7.5	43	1660	2.5	34.22	BG80-../DPE13XA4	220	20200	-
7.5	38.5	1860	2.3	38.00	BG80-../DPE13XA4	220	21300	-
7.5	33.5	2100	2.0	43.94	BG80-../DPE13XA4	220	22600	-
7.5	30	2350	1.8	48.80	BG80-../DPE13XA4	220	23800	-
7.5	26	2750	1.55	57.24	BG80-../DPE13XA4	220	25400	-
7.5	23	3100	1.35	63.56	BG80-../DPE13XA4	220	26000	-
7.5	22	3250	1.3	66.40	BG80Z-../DPE13XA4	263	26000	-
7.5	20	3550	1.2	73.73	BG80Z-../DPE13XA4	263	26000	-
7.5	17.5	4050	1.05	84.55	BG80Z-../DPE13XA4	263	26000	-
7.5	16	4450	0.94	93.89	BG80Z-../DPE13XA4	263	26000	-
7.5	27.5	2600	3.2	53.46	BG90-../DPE13XA4	309	65000	-
7.5	26	2750	2.5	57.04	BG90Z-../DPE13XA4	365	65000	-
7.5	23.5	3000	2.5	62.47	BG90Z-../DPE13XA4	365	65000	-
7.5	19.5	3650	2.3	76.61	BG90Z-../DPE13XA4	365	65000	-

The torques marked (*) are maximum permissible torques for service factor f_B=1.0.

BG-series helical-geared motors

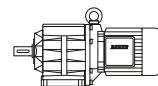
Selection helical-geared motors

7.5 kW



P _N [kW]	n ₂ [1/min]	50 Hz		i [:1]	Type	m [kg]	F _{RN} [N]	F _{RV} [N]
		M ₂ [Nm]	f _B [-]					
7.5	17.5	4050	2.1	83.91	BG90Z-../DPE13XA4	365	65000	-
7.5	15.5	4600	1.85	96.53	BG90Z-../DPE13XA4	365	65000	-
7.5	14	5100	1.65	105.7	BG90Z-../DPE13XA4	365	65000	-
7.5	11.5	6200	1.35	127.1	BG90Z-../DPE13XA4	365	65000	-
7.5	10.5	6800	1.25	139.2	BG90Z-../DPE13XA4	365	65000	-
7.5	9.0	7900	1.05	163.0	BG90Z-../DPE13XA4	365	65000	-
7.5	8.2	8700	0.97	178.5	BG90Z-../DPE13XA4	365	65000	-
7.5	7.1	10000	0.84	208.3	BG90Z-../DPE13XA4	365	65000	-
7.5	6.7	10300	0.89	219.9	BG90G50-../DPE13XA4	381	65000	-
7.5	14	5100	3.3	107.5	BG100-../DPE13XA4	481	90000	-
7.5	12.5	5700	2.9	119.7	BG100-../DPE13XA4	481	90000	-
7.5	10.5	6800	2.5	139.1	BG100-../DPE13XA4	481	90000	-
7.5	9.5	7500	2.2	154.8	BG100-../DPE13XA4	481	90000	-
7.5	8.2	8700	1.95	178.6	BG100-../DPE13XA4	481	90000	-
7.5	7.4	9600	1.75	198.8	BG100-../DPE13XA4	481	90000	-
7.5	6.3	11300	1.5	232.6	BG100-../DPE13XA4	481	90000	-
7.5	5.7	12500	1.35	259.0	BG100-../DPE13XA4	481	90000	-
7.5	5.5	13000	1.4	269.8	BG100Z-../DPE13XA4	572	90000	-
7.5	4.9	14600	1.25	300.4	BG100Z-../DPE13XA4	572	90000	-
7.5	4.3	16600	1.1	343.6	BG100Z-../DPE13XA4	572	90000	-
7.5	3.9	18300	1.0	382.6	BG100Z-../DPE13XA4	572	90000	-
7.5	3.2	22300	0.83	456.7	BG100Z-../DPE13XA4	572	90000	-

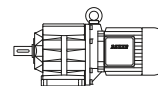
9.5 kW



P _N [kW]	n ₂ [1/min]	50 Hz		i [:1]	Type	m [kg]	F _{RN} [N]	F _{RV} [N]
		M ₂ [Nm]	f _B [-]					
9.5	600	151	2.0	2.47	BG50-../DPE16LB4	138	2900	-
9.5	420	215	1.6	3.55	BG50-../DPE16LB4	138	3300	-
9.5	305	295	1.35	4.91	BG50-../DPE16LB4	138	3500	-
9.5	245	370	1.2	6.07	BG50-../DPE16LB4	138	4700	-
9.5	220	410	1.1	6.74	BG50-../DPE16LB4	138	3750	-
9.5	170	530	0.96	8.70	BG50-../DPE16LB4	138	5300	-
9.5	153	590	0.89	9.65	BG50-../DPE16LB4	138	5600	-
9.5	395	225	2.7	3.74	BG60-../DPE16LB4	172	7100	-
9.5	300	300	2.3	4.98	BG60-../DPE16LB4	172	7800	-
9.5	240	375	2.1	6.16	BG60-../DPE16LB4	172	8500	-
9.5	220	410	1.95	6.82	BG60-../DPE16LB4	172	8900	-
9.5	215	420	1.85	6.88	BG60-../DPE16LB4	172	8600	-
9.5	162	560	1.6	9.13	BG60-../DPE16LB4	172	9800	-
9.5	146	620	1.45	10.12	BG60-../DPE16LB4	172	10200	-
9.5	122	740	1.35	12.16	BG60-../DPE16LB4	172	10800	-
9.5	110	820	1.25	13.47	BG60-../DPE16LB4	172	11200	-
9.5	88	1030	1.1	16.80	BG60-../DPE16LB4	172	12000	-
9.5	80	1130	1.0	18.62	BG60-../DPE16LB4	172	12400	-
9.5	66	1370	0.88	22.40	BG60-../DPE16LB4	172	13300	-
9.5	124	730	3.2	11.97	BG70-../DPE16LB4	206	11200	-
9.5	113	800	2.9	13.08	BG70-../DPE16LB4	206	11600	-
9.5	95	950	2.4	15.53	BG70-../DPE16LB4	206	12700	-
9.5	84	1080	2.1	17.68	BG70-../DPE16LB4	206	13400	-
9.5	71	1270	1.8	20.98	BG70-../DPE16LB4	206	14600	-
9.5	65	1390	1.65	22.92	BG70-../DPE16LB4	206	15100	-
9.5	55	1640	1.4	27.21	BG70-../DPE16LB4	206	16400	-
9.5	50	1810	1.25	29.69	BG70-../DPE16LB4	206	16900	-
9.5	42	2150	1.05	35.24	BG70-../DPE16LB4	206	18300	-
9.5	38	2350	0.98	39.22	BG70-../DPE16LB4	206	19100	-
9.5	32	2800	0.82	46.54	BG70-../DPE16LB4	206	20000	-
9.5	67	1350	3.1	22.09	BG80-../DPE16LB4	256	16500	-
9.5	56	1620	2.6	26.44	BG80-../DPE16LB4	256	17900	-
9.5	51	1770	2.4	29.36	BG80-../DPE16LB4	256	18900	-
9.5	43.5	2050	2.0	34.22	BG80-../DPE16LB4	256	20200	-

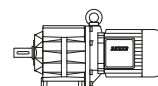
The torques marked (*) are maximum permissible torques for service factor f_B=1.0.

9.5 kW



P _N [kW]	n ₂ [1/min]	50 Hz		i [:1]	Type	m [kg]	F _{RN} [N]	F _{RV} [N]
		M ₂ [Nm]	f _B [—]					
9.5	39	2300	1.85	38.00	BG80-../DPE16LB4	256	21300	-
9.5	34	2650	1.6	43.94	BG80-../DPE16LB4	256	22600	-
9.5	30.5	2950	1.4	48.80	BG80-../DPE16LB4	256	23800	-
9.5	26	3450	1.2	57.24	BG80-../DPE16LB4	256	25400	-
9.5	23.5	3850	1.1	63.56	BG80-../DPE16LB4	256	26000	-
9.5	22.5	4000	1.05	66.40	BG80Z-../DPE16LB4	299	26000	-
9.5	20.5	4400	0.95	73.73	BG80Z-../DPE16LB4	299	26000	-
9.5	17.5	5100	0.82	84.55	BG80Z-../DPE16LB4	299	26000	-
9.5	35.5	2550	3.3	41.85	BG90-../DPE16LB4	346	65000	-
9.5	30.5	2950	2.8	48.82	BG90-../DPE16LB4	346	65000	-
9.5	28	3200	2.6	53.46	BG90-../DPE16LB4	346	65000	-
9.5	26	3450	1.95	57.04	BG90Z-../DPE16LB4	405	65000	-
9.5	24	3750	2.0	62.47	BG90Z-../DPE16LB4	405	65000	-
9.5	19.5	4650	1.8	76.61	BG90Z-../DPE16LB4	405	65000	-
9.5	18	5000	1.7	83.91	BG90Z-../DPE16LB4	405	65000	-
9.5	15.5	5800	1.45	96.53	BG90Z-../DPE16LB4	405	65000	-
9.5	14	6400	1.3	105.7	BG90Z-../DPE16LB4	405	65000	-
9.5	12	7500	1.1	127.1	BG90Z-../DPE16LB4	405	65000	-
9.5	11	8200	1.0	139.2	BG90Z-../DPE16LB4	405	65000	-
9.5	9.1	9900	0.85	163.0	BG90Z-../DPE16LB4	405	65000	-
9.5	16.5	5400	3.1	90.02	BG100-../DPE16LB4	516	90000	-
9.5	14	6400	2.6	107.5	BG100-../DPE16LB4	516	90000	-
9.5	12.5	7200	2.3	119.7	BG100-../DPE16LB4	516	90000	-
9.5	11	8200	2.0	139.1	BG100-../DPE16LB4	516	90000	-
9.5	9.6	9400	1.8	154.8	BG100-../DPE16LB4	516	90000	-
9.5	8.3	10900	1.55	178.6	BG100-../DPE16LB4	516	90000	-
9.5	7.5	12000	1.4	198.8	BG100-../DPE16LB4	516	90000	-
9.5	6.4	14100	1.2	232.6	BG100-../DPE16LB4	516	90000	-
9.5	5.7	15900	1.05	259.0	BG100-../DPE16LB4	516	90000	-
9.5	5.5	16400	1.15	269.8	BG100Z-../DPE16LB4	608	90000	-
9.5	5.0	18100	1.0	300.4	BG100Z-../DPE16LB4	608	90000	-
9.5	4.3	21000	0.88	343.6	BG100Z-../DPE16LB4	608	90000	-
9.5	3.9	23200	0.8	382.6	BG100Z-../DPE16LB4	608	90000	-

11 kW



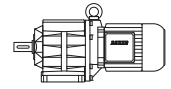
P _N [kW]	n ₂ [1/min]	50 Hz		i [:1]	Type	m [kg]	F _{RN} [N]	F _{RV} [N]
		M ₂ [Nm]	f _B [—]					
11	600	175	1.75	2.47	BG50-../DPE16LB4	138	2900	-
11	420	250	1.4	3.55	BG50-../DPE16LB4	138	3300	-
11	305	340	1.15	4.91	BG50-../DPE16LB4	138	3500	-
11	245	425	1.05	6.07	BG50-../DPE16LB4	138	4700	-
11	220	475	0.95	6.74	BG50-../DPE16LB4	138	3750	-
11	170	610	0.83	8.70	BG50-../DPE16LB4	138	5300	-
11	590	178	3.0	2.52	BG60-../DPE16LB4	172	6200	-
11	395	265	2.3	3.74	BG60-../DPE16LB4	172	7100	-
11	300	350	1.95	4.98	BG60-../DPE16LB4	172	7800	-
11	240	435	1.75	6.16	BG60-../DPE16LB4	172	8500	-
11	220	475	1.7	6.82	BG60-../DPE16LB4	172	8900	-
11	215	485	1.6	6.88	BG60-../DPE16LB4	172	8600	-
11	162	640	1.4	9.13	BG60-../DPE16LB4	172	9800	-
11	146	710	1.3	10.12	BG60-../DPE16LB4	172	10200	-
11	122	860	1.15	12.16	BG60-../DPE16LB4	172	10800	-
11	110	950	1.05	13.47	BG60-../DPE16LB4	172	11200	-
11	88	1190	0.93	16.80	BG60-../DPE16LB4	172	12000	-
11	80	1310	0.87	18.62	BG60-../DPE16LB4	172	12400	-
11	147	710	3.2	10.09	BG70-../DPE16LB4	206	10200	-
11	124	840	2.7	11.97	BG70-../DPE16LB4	206	11200	-
11	113	920	2.5	13.08	BG70-../DPE16LB4	206	11600	-
11	95	1100	2.1	15.53	BG70-../DPE16LB4	206	12700	-
11	84	1250	1.85	17.68	BG70-../DPE16LB4	206	13400	-

The torques marked (*) are maximum permissible torques for service factor f_B=1.0.

BG-series helical-geared motors

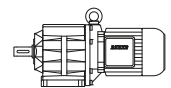
Selection helical-geared motors

11 kW



P _N [kW]	n ₂ [1/min]	50 Hz		i [:1]	Type	m [kg]	F _{RN} [N]	F _{RV} [N]
		M ₂ [Nm]	f _B [-]					
11	71	1470	1.55	20.98	BG70-../DPE16LB4	206	14600	-
11	65	1610	1.45	22.92	BG70-../DPE16LB4	206	15100	-
11	55	1910	1.2	27.21	BG70-../DPE16LB4	206	16400	-
11	50	2100	1.1	29.69	BG70-../DPE16LB4	206	16900	-
11	42	2500	0.92	35.24	BG70-../DPE16LB4	206	18300	-
11	38	2750	0.84	39.22	BG70-../DPE16LB4	206	19100	-
11	75	1400	3.0	19.89	BG80-../DPE16LB4	256	15500	-
11	67	1560	2.7	22.09	BG80-../DPE16LB4	256	16500	-
11	56	1870	2.2	26.44	BG80-../DPE16LB4	256	17900	-
11	51	2050	2.0	29.36	BG80-../DPE16LB4	256	18900	-
11	43.5	2400	1.75	34.22	BG80-../DPE16LB4	256	20200	-
11	39	2650	1.6	38.00	BG80-../DPE16LB4	256	21300	-
11	34	3050	1.4	43.94	BG80-../DPE16LB4	256	22600	-
11	30.5	3400	1.25	48.80	BG80-../DPE16LB4	256	23800	-
11	26	4000	1.05	57.24	BG80-../DPE16LB4	256	25400	-
11	23.5	4450	0.94	63.56	BG80-../DPE16LB4	256	26000	-
11	22.5	4650	0.9	66.40	BG80Z-../DPE16LB4	299	26000	-
11	20.5	5100	0.82	73.73	BG80Z-../DPE16LB4	299	26000	-
11	39	2650	3.2	38.21	BG90-../DPE16LB4	346	65000	-
11	35.5	2950	2.8	41.85	BG90-../DPE16LB4	346	65000	-
11	30.5	3400	2.5	48.82	BG90-../DPE16LB4	346	65000	-
11	28	3750	2.2	53.46	BG90-../DPE16LB4	346	65000	-
11	26	4000	1.7	57.04	BG90Z-../DPE16LB4	405	65000	-
11	24	4350	1.7	62.47	BG90Z-../DPE16LB4	405	65000	-
11	19.5	5300	1.6	76.61	BG90Z-../DPE16LB4	405	65000	-
11	18	5800	1.45	83.91	BG90Z-../DPE16LB4	405	65000	-
11	15.5	6700	1.25	96.53	BG90Z-../DPE16LB4	405	65000	-
11	14	7500	1.1	105.7	BG90Z-../DPE16LB4	405	65000	-
11	12	8700	0.97	127.1	BG90Z-../DPE16LB4	405	65000	-
11	11	9500	0.88	139.2	BG90Z-../DPE16LB4	405	65000	-
11	21	5000	3.2	70.69	BG100-../DPE16LB4	516	90000	-
11	18.5	5600	3.0	80.85	BG100-../DPE16LB4	516	90000	-
11	16.5	6300	2.7	90.02	BG100-../DPE16LB4	516	90000	-
11	14	7500	2.2	107.5	BG100-../DPE16LB4	516	90000	-
11	12.5	8400	2.0	119.7	BG100-../DPE16LB4	516	90000	-
11	11	9500	1.75	139.1	BG100-../DPE16LB4	516	90000	-
11	9.6	10900	1.55	154.8	BG100-../DPE16LB4	516	90000	-
11	8.3	12600	1.35	178.6	BG100-../DPE16LB4	516	90000	-
11	7.5	14000	1.2	198.8	BG100-../DPE16LB4	516	90000	-
11	6.4	16400	1.0	232.6	BG100-../DPE16LB4	516	90000	-
11	5.7	18400	0.91	259.0	BG100-../DPE16LB4	516	90000	-
11	5.5	19100	0.97	269.8	BG100Z-../DPE16LB4	608	90000	-
11	5.0	21000	0.88	300.4	BG100Z-../DPE16LB4	608	90000	-

15 kW



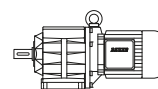
P _N [kW]	n ₂ [1/min]	50 Hz		i [:1]	Type	m [kg]	F _{RN} [N]	F _{RV} [N]
		M ₂ [Nm]	f _B [-]					
15	600	235	1.3	2.47	BG50-../DPE16XB4	148	2900	-
15	420	340	1.0	3.55	BG50-../DPE16XB4	148	3300	-
15	305	465	0.86	4.91	BG50-../DPE16XB4	148	3500	-
15	590	240	2.2	2.52	BG60-../DPE16XB4	182	6200	-
15	395	360	1.7	3.74	BG60-../DPE16XB4	182	7100	-
15	300	475	1.45	4.98	BG60-../DPE16XB4	182	7800	-
15	240	590	1.3	6.16	BG60-../DPE16XB4	182	8500	-
15	220	650	1.25	6.82	BG60-../DPE16XB4	182	8900	-
15	215	660	1.2	6.88	BG60-../DPE16XB4	182	8600	-
15	162	880	1.0	9.13	BG60-../DPE16XB4	182	9800	-
15	146	980	0.93	10.12	BG60-../DPE16XB4	182	10200	-
15	122	1170	0.85	12.16	BG60-../DPE16XB4	182	10800	-

The torques marked (*) are maximum permissible torques for service factor f_B=1.0.

BG-series helical-geared motors

Selection helical-geared motors

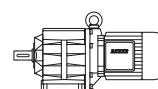
15 kW



P _N [kW]	n ₂ [1/min]	50 Hz		i [:1]	Type	m [kg]	F _{RN} [N]	F _{RV} [N]
		M ₂ [Nm]	f _B [—]					
15	210	680	3.2	7.14	BG70-../DPE16XB4	216	8800	-
15	174	820	2.8	8.48	BG70-../DPE16XB4	216	9500	-
15	147	970	2.4	10.09	BG70-../DPE16XB4	216	10200	-
15	124	1150	2.0	11.97	BG70-../DPE16XB4	216	11200	-
15	113	1260	1.85	13.08	BG70-../DPE16XB4	216	11600	-
15	95	1500	1.55	15.53	BG70-../DPE16XB4	216	12700	-
15	84	1700	1.35	17.68	BG70-../DPE16XB4	216	13400	-
15	71	2000	1.15	20.98	BG70-../DPE16XB4	216	14600	-
15	65	2200	1.05	22.92	BG70-../DPE16XB4	216	15100	-
15	55	2600	0.88	27.21	BG70-../DPE16XB4	216	16400	-
15	50	2850	0.81	29.69	BG70-../DPE16XB4	216	16900	-
15	95	1500	2.8	15.62	BG80-../DPE16XB4	266	13700	-
15	86	1660	2.5	17.35	BG80-../DPE16XB4	266	14600	-
15	75	1910	2.2	19.89	BG80-../DPE16XB4	266	15500	-
15	67	2100	2.0	22.09	BG80-../DPE16XB4	266	16500	-
15	56	2550	1.65	26.44	BG80-../DPE16XB4	266	17900	-
15	51	2800	1.5	29.36	BG80-../DPE16XB4	266	18900	-
15	43.5	3250	1.3	34.22	BG80-../DPE16XB4	266	20200	-
15	39	3650	1.15	38.00	BG80-../DPE16XB4	266	21300	-
15	34	4200	1.0	43.94	BG80-../DPE16XB4	266	22600	-
15	30.5	4650	0.9	48.80	BG80-../DPE16XB4	266	23800	-
15	50	2850	2.9	29.78	BG90-../DPE16XB4	356	65000	-
15	45.5	3100	2.7	32.62	BG90-../DPE16XB4	356	65000	-
15	39	3650	2.3	38.21	BG90-../DPE16XB4	356	65000	-
15	35.5	4000	2.1	41.85	BG90-../DPE16XB4	356	65000	-
15	30.5	4650	1.8	48.82	BG90-../DPE16XB4	356	65000	-
15	28	5100	1.65	53.46	BG90-../DPE16XB4	356	65000	-
15	26	5500	1.25	57.04	BG90Z-../DPE16XB4	415	65000	-
15	24	5900	1.25	62.47	BG90Z-../DPE16XB4	415	65000	-
15	19.5	7300	1.15	76.61	BG90Z-../DPE16XB4	415	65000	-
15	18	7900	1.05	83.91	BG90Z-../DPE16XB4	415	65000	-
15	15.5	9200	0.91	96.53	BG90Z-../DPE16XB4	415	65000	-
15	14	10200	0.82	105.7	BG90Z-../DPE16XB4	415	65000	-
15	32	4450	3.2	46.43	BG100-../DPE16XB4	526	90000	-
15	29	4900	2.9	51.70	BG100-../DPE16XB4	526	90000	-
15	23.5	6000	2.6	63.49	BG100-../DPE16XB4	526	90000	-
15	21	6800	2.3	70.69	BG100-../DPE16XB4	526	90000	-
15	18.5	7700	2.1	80.85	BG100-../DPE16XB4	526	90000	-
15	16.5	8600	1.95	90.02	BG100-../DPE16XB4	526	90000	-
15	14	10200	1.65	107.5	BG100-../DPE16XB4	526	90000	-
15	12.5	11400	1.45	119.7	BG100-../DPE16XB4	526	90000	-
15	11	13000	1.3	139.1	BG100-../DPE16XB4	526	90000	-
15	9.6	14900	1.15	154.8	BG100-../DPE16XB4	526	90000	-
15	8.3	17200	0.98	178.6	BG100-../DPE16XB4	526	90000	-
15	7.5	19100	0.88	198.8	BG100-../DPE16XB4	526	90000	-

6

18.5 kW



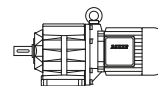
P _N [kW]	n ₂ [1/min]	50 Hz		i [:1]	Type	m [kg]	F _{RN} [N]	F _{RV} [N]
		M ₂ [Nm]	f _B [—]					
18.5	600	290	1.05	2.47	BG50-../DPE18LB4	200	2900	-
18.5	420	420	0.83	3.55	BG50-../DPE18LB4	200	3300	-
18.5	590	295	1.8	2.52	BG60-../DPE18LB4	229	6200	-
18.5	400	440	1.4	3.74	BG60-../DPE18LB4	229	7100	-
18.5	300	580	1.2	4.98	BG60-../DPE18LB4	229	7800	-
18.5	220	800	0.98	6.88	BG60-../DPE18LB4	229	8600	-
18.5	163	1080	0.82	9.13	BG60-../DPE18LB4	229	9800	-
18.5	300	580	2.6	4.95	BG70-../DPE18LB4	257	6900	-
18.5	255	690	2.5	5.87	BG70-../DPE18LB4	257	8200	-
18.5	210	840	2.6	7.14	BG70-../DPE18LB4	257	8800	-

The torques marked (*) are maximum permissible torques for service factor f_B=1.0.

BG-series helical-geared motors

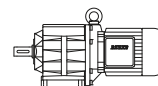
Selection helical-geared motors

18.5 kW



P _N [kW]	n ₂ [1/min]	50 Hz		i [:1]	Type	m [kg]	F _{RN} [N]	F _{RV} [N]
		M ₂ [Nm]	f _B [-]					
18.5	175	1000	2.3	8.48	BG70-../DPE18LB4	257	9500	-
18.5	147	1200	1.9	10.09	BG70-../DPE18LB4	257	10200	-
18.5	124	1420	1.6	11.97	BG70-../DPE18LB4	257	11200	-
18.5	114	1540	1.5	13.08	BG70-../DPE18LB4	257	11600	-
18.5	96	1840	1.25	15.53	BG70-../DPE18LB4	257	12700	-
18.5	84	2100	1.1	17.68	BG70-../DPE18LB4	257	13400	-
18.5	71	2450	0.94	20.98	BG70-../DPE18LB4	257	14600	-
18.5	65	2700	0.85	22.92	BG70-../DPE18LB4	257	15100	-
18.5	130	1350	3.1	11.43	BG80-../DPE18LB4	311	11600	-
18.5	117	1510	2.8	12.69	BG80-../DPE18LB4	311	12400	-
18.5	95	1850	2.3	15.62	BG80-../DPE18LB4	311	13700	-
18.5	86	2050	2.0	17.35	BG80-../DPE18LB4	311	14600	-
18.5	75	2350	1.8	19.89	BG80-../DPE18LB4	311	15500	-
18.5	67	2600	1.6	22.09	BG80-../DPE18LB4	311	16500	-
18.5	56	3150	1.35	26.44	BG80-../DPE18LB4	311	17900	-
18.5	51	3450	1.2	29.36	BG80-../DPE18LB4	311	18900	-
18.5	43.5	4050	1.05	34.22	BG80-../DPE18LB4	311	20200	-
18.5	39	4500	0.93	38.00	BG80-../DPE18LB4	311	21300	-
18.5	34	5100	0.82	43.94	BG80-../DPE18LB4	311	22600	-
18.5	66	2650	3.2	22.62	BG90-../DPE18LB4	402	65000	-
18.5	60	2900	2.9	24.78	BG90-../DPE18LB4	402	65000	-
18.5	50	3500	2.4	29.78	BG90-../DPE18LB4	402	65000	-
18.5	45.5	3850	2.2	32.62	BG90-../DPE18LB4	402	65000	-
18.5	39	4500	1.85	38.21	BG90-../DPE18LB4	402	65000	-
18.5	35.5	4950	1.7	41.85	BG90-../DPE18LB4	402	65000	-
18.5	30.5	5700	1.45	48.82	BG90-../DPE18LB4	402	65000	-
18.5	28	6300	1.35	53.46	BG90-../DPE18LB4	402	65000	-
18.5	26	6700	1.0	57.04	BG90Z-../DPE18LB4	456	65000	-
18.5	24	7300	1.05	62.47	BG90Z-../DPE18LB4	456	65000	-
18.5	19.5	9000	0.93	76.61	BG90Z-../DPE18LB4	456	65000	-
18.5	18	9800	0.86	83.91	BG90Z-../DPE18LB4	456	65000	-
18.5	44	4000	3.2	33.71	BG100-../DPE18LB4	572	88500	-
18.5	39.5	4450	3.0	37.54	BG100-../DPE18LB4	572	90000	-
18.5	32	5500	2.6	46.43	BG100-../DPE18LB4	572	90000	-
18.5	29	6000	2.4	51.70	BG100-../DPE18LB4	572	90000	-
18.5	23.5	7500	2.1	63.49	BG100-../DPE18LB4	572	90000	-
18.5	21	8400	1.9	70.69	BG100-../DPE18LB4	572	90000	-
18.5	18.5	9500	1.75	80.85	BG100-../DPE18LB4	572	90000	-
18.5	16.5	10700	1.55	90.02	BG100-../DPE18LB4	572	90000	-
18.5	14	12600	1.35	107.5	BG100-../DPE18LB4	572	90000	-
18.5	12.5	14100	1.2	119.7	BG100-../DPE18LB4	572	90000	-
18.5	11	16000	1.05	139.1	BG100-../DPE18LB4	572	90000	-
18.5	9.6	18400	0.91	154.8	BG100-../DPE18LB4	572	90000	-

22 kW



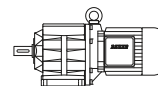
P _N [kW]	n ₂ [1/min]	50 Hz		i [:1]	Type	m [kg]	F _{RN} [N]	F _{RV} [N]
		M ₂ [Nm]	f _B [-]					
22	600	350	0.87	2.47	BG50-../DPE18XB4	218	2900	-
22	590	355	1.5	2.52	BG60-../DPE18XB4	247	6200	-
22	395	530	1.15	3.74	BG60-../DPE18XB4	247	7100	-
22	300	700	0.98	4.98	BG60-../DPE18XB4	247	7800	-
22	215	970	0.8	6.88	BG60-../DPE18XB4	247	8600	-
22	300	700	2.1	4.95	BG70-../DPE18XB4	275	6900	-
22	255	820	2.1	5.87	BG70-../DPE18XB4	275	8200	-
22	210	1000	2.2	7.14	BG70-../DPE18XB4	275	8800	-
22	174	1200	1.9	8.48	BG70-../DPE18XB4	275	9500	-
22	147	1420	1.6	10.09	BG70-../DPE18XB4	275	10200	-
22	124	1690	1.35	11.97	BG70-../DPE18XB4	275	11200	-
22	113	1850	1.25	13.08	BG70-../DPE18XB4	275	11600	-

The torques marked (*) are maximum permissible torques for service factor f_B=1.0.

BG-series helical-geared motors

Selection helical-geared motors

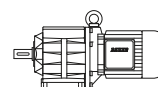
22 kW



P _N [kW]	n ₂ [1/min]	50 Hz		i [:1]	Type	m [kg]	F _{RN} [N]	F _{RV} [N]
		M ₂ [Nm]	f _B [-]					
22	95	2200	1.05	15.53	BG70-../DPE18XB4	275	12700	-
22	84	2500	0.92	17.68	BG70-../DPE18XB4	275	13400	-
22	250	840	3.2	5.94	BG80-../DPE18XB4	329	8300	-
22	225	930	3.2	6.60	BG80-../DPE18XB4	329	9100	-
22	178	1180	3.2	8.30	BG80-../DPE18XB4	329	10400	-
22	161	1300	3.0	9.21	BG80-../DPE18XB4	329	10800	-
22	130	1610	2.6	11.43	BG80-../DPE18XB4	329	11600	-
22	117	1790	2.3	12.69	BG80-../DPE18XB4	329	12400	-
22	95	2200	1.9	15.62	BG80-../DPE18XB4	329	13700	-
22	86	2400	1.75	17.35	BG80-../DPE18XB4	329	14600	-
22	75	2800	1.5	19.89	BG80-../DPE18XB4	329	15500	-
22	67	3100	1.35	22.09	BG80-../DPE18XB4	329	16500	-
22	56	3750	1.1	26.44	BG80-../DPE18XB4	329	17900	-
22	51	4100	1.0	29.36	BG80-../DPE18XB4	329	18900	-
22	43.5	4800	0.88	34.22	BG80-../DPE18XB4	329	20200	-
22	83	2500	3.3	17.96	BG90-../DPE18XB4	420	59800	-
22	75	2800	3.0	19.67	BG90-../DPE18XB4	420	62400	-
22	66	3150	2.7	22.62	BG90-../DPE18XB4	420	65000	-
22	60	3500	2.4	24.78	BG90-../DPE18XB4	420	65000	-
22	50	4200	2.0	29.78	BG90-../DPE18XB4	420	65000	-
22	45.5	4600	1.85	32.62	BG90-../DPE18XB4	420	65000	-
22	39	5300	1.6	38.21	BG90-../DPE18XB4	420	65000	-
22	35.5	5900	1.4	41.85	BG90-../DPE18XB4	420	65000	-
22	30.5	6800	1.25	48.82	BG90-../DPE18XB4	420	65000	-
22	28	7500	1.1	53.46	BG90-../DPE18XB4	420	65000	-
22	26	8000	0.85	57.04	BG90Z-../DPE18XB4	474	65000	-
22	24	8700	0.86	62.47	BG90Z-../DPE18XB4	474	65000	-
22	44	4750	2.7	33.71	BG100-../DPE18XB4	590	88500	-
22	39.5	5300	2.5	37.54	BG100-../DPE18XB4	590	90000	-
22	32	6500	2.2	46.43	BG100-../DPE18XB4	590	90000	-
22	29	7200	2.0	51.70	BG100-../DPE18XB4	590	90000	-
22	23.5	8900	1.75	63.49	BG100-../DPE18XB4	590	90000	-
22	21	10000	1.6	70.69	BG100-../DPE18XB4	590	90000	-
22	18.5	11300	1.45	80.85	BG100-../DPE18XB4	590	90000	-
22	16.5	12700	1.3	90.02	BG100-../DPE18XB4	590	90000	-
22	14	15000	1.1	107.5	BG100-../DPE18XB4	590	90000	-
22	12.5	16800	1.0	119.7	BG100-../DPE18XB4	590	90000	-
22	11	19100	0.88	139.1	BG100-../DPE18XB4	590	90000	-

6

30 kW



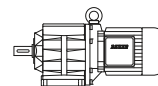
P _N [kW]	n ₂ [1/min]	50 Hz		i [:1]	Type	m [kg]	F _{RN} [N]	F _{RV} [N]
		M ₂ [Nm]	f _B [-]					
30	300	950	1.55	4.95	BG70-../DPE20XA4	430	6900	-
30	255	1120	1.55	5.87	BG70-../DPE20XA4	430	8200	-
30	210	1360	1.6	7.14	BG70-../DPE20XA4	430	8800	-
30	175	1630	1.4	8.48	BG70-../DPE20XA4	430	9500	-
30	147	1940	1.2	10.09	BG70-../DPE20XA4	430	10200	-
30	124	2300	1.0	11.97	BG70-../DPE20XA4	430	11200	-
30	114	2500	0.92	13.08	BG70-../DPE20XA4	430	11600	-
30	250	1140	2.3	5.94	BG80-../DPE20XA4	482	8300	-
30	225	1270	2.3	6.60	BG80-../DPE20XA4	482	9100	-
30	179	1600	2.4	8.30	BG80-../DPE20XA4	482	10400	-
30	161	1770	2.2	9.21	BG80-../DPE20XA4	482	10800	-
30	130	2200	1.9	11.43	BG80-../DPE20XA4	482	11600	-
30	117	2400	1.75	12.69	BG80-../DPE20XA4	482	12400	-
30	95	3000	1.4	15.62	BG80-../DPE20XA4	482	13700	-
30	86	3300	1.25	17.35	BG80-../DPE20XA4	482	14600	-
30	75	3800	1.1	19.89	BG80-../DPE20XA4	482	15500	-
30	67	4250	0.99	22.09	BG80-../DPE20XA4	482	16500	-
30	56	5100	0.82	26.44	BG80-../DPE20XA4	482	17900	-

The torques marked (*) are maximum permissible torques for service factor f_B=1.0.

BG-series helical-geared motors

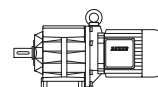
Selection helical-geared motors

30 kW



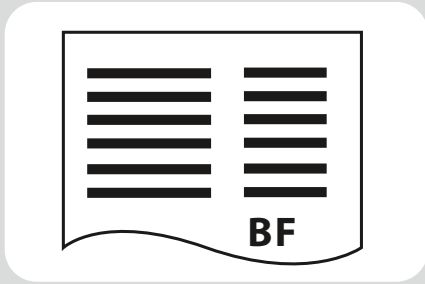
P _N [kW]	n ₂ [1/min]	50 Hz		i [:1]	Type	m [kg]	F _{RN} [N]	F _{RV} [N]
		M ₂ [Nm]	f _B [—]					
30	136	2100	3.3	10.90	BG90-../DPE20XA4	574	52300	-
30	111	2550	2.9	13.37	BG90-../DPE20XA4	574	55000	-
30	102	2800	2.8	14.64	BG90-../DPE20XA4	574	57000	-
30	83	3450	2.4	17.96	BG90-../DPE20XA4	574	59800	-
30	76	3750	2.2	19.67	BG90-../DPE20XA4	574	62400	-
30	66	4300	1.95	22.62	BG90-../DPE20XA4	574	65000	-
30	60	4750	1.75	24.78	BG90-../DPE20XA4	574	65000	-
30	50	5700	1.45	29.78	BG90-../DPE20XA4	574	65000	-
30	45.5	6200	1.35	32.62	BG90-../DPE20XA4	574	65000	-
30	39	7300	1.15	38.21	BG90-../DPE20XA4	574	65000	-
30	35.5	8000	1.05	41.85	BG90-../DPE20XA4	574	65000	-
30	30.5	9300	0.9	48.82	BG90-../DPE20XA4	574	65000	-
30	28	10200	0.82	53.46	BG90-../DPE20XA4	574	65000	-
30	119	2400	3.0	12.45	BG100-../DPE20XA4	743	72100	-
30	86	3300	3.1	17.39	BG100-../DPE20XA4	743	82400	-
30	62	4600	2.4	23.95	BG100-../DPE20XA4	743	87900	-
30	44	6500	2.0	33.71	BG100-../DPE20XA4	743	88500	-
30	39.5	7200	1.85	37.54	BG100-../DPE20XA4	743	90000	-
30	32	8900	1.6	46.43	BG100-../DPE20XA4	743	90000	-
30	29	9800	1.45	51.70	BG100-../DPE20XA4	743	90000	-
30	23.5	12100	1.25	63.49	BG100-../DPE20XA4	743	90000	-
30	21	13600	1.15	70.69	BG100-../DPE20XA4	743	90000	-
30	18.5	15400	1.05	80.85	BG100-../DPE20XA4	743	90000	-
30	16.5	17300	0.97	90.02	BG100-../DPE20XA4	743	90000	-
30	14	20400	0.82	107.5	BG100-../DPE20XA4	743	90000	-

37 kW



P _N [kW]	n ₂ [1/min]	50 Hz		i [:1]	Type	m [kg]	F _{RN} [N]	F _{RV} [N]
		M ₂ [Nm]	f _B [—]					
37	300	1170	1.3	4.95	BG70-../DPE22MA4	486	6900	-
37	255	1380	1.25	5.87	BG70-../DPE22MA4	486	8200	-
37	210	1680	1.3	7.14	BG70-../DPE22MA4	486	8800	-
37	175	2000	1.15	8.48	BG70-../DPE22MA4	486	9500	-
37	250	1410	1.9	5.94	BG80-../DPE22MA4	538	8300	-
37	225	1570	1.9	6.60	BG80-../DPE22MA4	538	9100	-
37	179	1970	1.9	8.30	BG80-../DPE22MA4	538	10400	-
37	161	2150	1.85	9.21	BG80-../DPE22MA4	538	10800	-
37	130	2700	1.55	11.43	BG80-../DPE22MA4	538	11600	-
37	117	3000	1.4	12.69	BG80-../DPE22MA4	538	12400	-
37	95	3700	1.15	15.62	BG80-../DPE22MA4	538	13700	-
37	86	4100	1.0	17.35	BG80-../DPE22MA4	538	14600	-
37	186	1890	3.3	7.97	BG90-../DPE22MA4	630	47900	-
37	149	2350	2.9	9.95	BG90-../DPE22MA4	630	50500	-
37	136	2550	2.7	10.90	BG90-../DPE22MA4	630	52300	-
37	111	3150	2.4	13.37	BG90-../DPE22MA4	630	55000	-
37	102	3450	2.2	14.64	BG90-../DPE22MA4	630	57000	-
37	83	4250	1.95	17.96	BG90-../DPE22MA4	630	59800	-
37	76	4600	1.85	19.67	BG90-../DPE22MA4	630	62400	-
37	66	5300	1.6	22.62	BG90-../DPE22MA4	630	65000	-
37	60	5800	1.45	24.78	BG90-../DPE22MA4	630	65000	-
37	50	7000	1.2	29.78	BG90-../DPE22MA4	630	65000	-
37	45.5	7700	1.1	32.62	BG90-../DPE22MA4	630	65000	-
37	119	2950	2.5	12.45	BG100-../DPE22MA4	799	72100	-
37	86	4100	2.5	17.39	BG100-../DPE22MA4	799	82400	-
37	62	5600	2.0	23.95	BG100-../DPE22MA4	799	87900	-
37	44	8000	1.6	33.71	BG100-../DPE22MA4	799	88500	-
37	39.5	8900	1.5	37.54	BG100-../DPE22MA4	799	90000	-
37	32	11000	1.3	46.43	BG100-../DPE22MA4	799	90000	-
37	29	12100	1.2	51.70	BG100-../DPE22MA4	799	90000	-
37	23.5	15000	1.05	63.49	BG100-../DPE22MA4	799	90000	-

The torques marked (*) are maximum permissible torques for service factor f_B=1.0.



BF-series shaft-mounted geared motors - Selection

Description of shaft-mounted gear units	133
Sizes	133
Bauer service factors (f_B) for shaft-mounted geared motors	133
Continuous operation without switching frequency $Z \leq 1/h$	133
Switching duty	133
Bauer service factor	133
Explanation of shock classification	133
Key to abbreviations	134
Selection tables shaft-mounted geared motors	134
Selection - shaft-mounted geared motors	135

Energy Efficient Geared Motors

AC Line Operated / European Union

7

Sizes

Bauer BF-series shaft-mounted geared motors are normally supplied in ten frame sizes and with torques of 90 to 18,500 Nm. Higher torques are available on request. The gear unit is accommodated in a sturdy cast housing

Bauer service factors (f_B) for shaft-mounted geared motors

Of the numerous factors influencing the total loading of a gear unit, the most important include:

- Mean torque (rated torque)
- Daily operating hours
- Severity of torque peaks (shock classification)
- Frequency of torque peaks (switching duty)

These factors can be represented in a simplified and practical manner by **service factors**. The tables and explanations below attempt to provide an objective description of the **shock classification**, rather than a classification of the driven machinery. Experience has shown that, in addition to the torque shocks caused by the driven machinery (M_x/M_N), above all the power transmission components (clutches, chains etc.) plus the mass ratios play a decisive role in this.

See Bauer special imprint SD32 for more information.

Continuous operation without switching frequency $Z \leq 1/h$

Factor f_1 for shock classification and operating time

Shock classification	Operating hours per day t_d	>4 h	>8 h	>16 h
		≤ 8 h	≤ 16 h	≤ 24 h
I		0.8	1.0	1.2
II		1.05	1.25	1.45
III		1.45	1.55	1.7

Switching duty

Factor f_2 for shock classification and switching frequency

Switching frequency in single- shift operation $t_d \leq 8$ h/d

Shock classification	$1 < Z \leq 100$	$100 < Z \leq 1000$	$1000 < Z$
I	0.95	1.1	1.15
II	1.2	1.35	1.4
III	1.55	1.6	1.6

Switching frequency in multiple- shift operation $t_d > 8$ h/d

Shock classification	$1 < Z \leq 100$	$100 < Z \leq 1000$	$1000 < Z$
I	1.3	1.45	1.5
II	1.5	1.6	1.65
III	1.75	1.8	1.8

Bauer service factor

Bauer Service factor $f_B = f_1$ or $f_B = f_2$

For example: Shock classification II for $Z = 100$ switching operations per hour and multiple-shift operation yields a service factor $f_B = f_2 = 1.5$

Explanation of shock classification

Shock classification I:

Uniform without shock loads. All the following requirements must be satisfied:

- $F_I \leq 1,3$
- $M_x/M_N \leq 1,0$
- Shock-absorbing power transmission components (e.g. highly resilient, zero-play coupling, $\varphi N \geq 5^\circ$)

BF-series shaft-mounted geared motors

Description of shaft-mounted gear units

Shock classification II:

Moderate shock loads. At least one of the following conditions applies:

- $1.3 < FI \leq 4$
- $1 < Mx/M_N \leq 1.6$
- Shock-neutral power transmission components (e.g. gear wheels, zero-play rigid coupling or resilient coupling with $\varphi N < 5^\circ$)

Shock classification III:

Heavy shock loads. At least one of the following conditions applies:

- $FI > 4$
- $1.6 < Mx/M_N \leq 2.0$
- Shock-amplifying power transmission components (e.g. coupling with play or chain drive)

Key to abbreviations

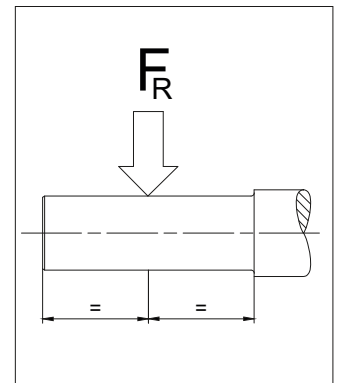
Z	Switching duty number of switching operations per hour
t_d	Daily operating time in hours (h/d)
FI	Factor of inertia $FI = (J_{ext} + J_{rot})/J_{rot}$
J_{ext}	Mass moment of inertia of the machine to be driven, in relation to the motor's rotor shaft (kgm^2)
J_{rot}	Mass moment of inertia of the motor rotor (kgm^2)
Mx	Highest impact torque above the static torque which can occur during normal operation or in emergency situations
M_N	Required static load torque for the application
M_x/M_N	Relative torque - Factor
φN	Torsional offset of the resilient coupling under rated torque

7

Selection tables shaft-mounted geared motors

Key to abbreviations

P	Rated output
n_2	Rated speed of the output shaft
i	Gear reduction ratio
M_2	Rated torque at the output shaft
f_B	Bauer service factor
F_{RN}	Maximum permissible radial force with normal bearings
F_{RV}	Maximum permissible radial force with reinforced bearings in each case with standard solid shaft (Code -.1 und -.2)



Use the selection tables to determine the size of geared motor required. The codes clearly define the Type of gear unit and output shaft (see chapter 11 „dimensional drawings shaft-mounted gear motors“).

Motor power overload protection

Motor-power ratings, particularly in conjunction with four-stage and multi-stage gear units, are more than ample in some instances. Consequently, and in much the same way as with low-power motors, rated current is not a measure of gear loading and cannot be used to protect the gear unit against overloading. It is advisable to provide gears at risk from excessive load or blockage with a protective mechanism (e. g., sliding clutch, sliding hub, shear pin or an alternative).

BF-series shaft-mounted geared motors

Selection - shaft-mounted geared motors

0.03 kW



P _N [kW]	n ₂ [1/min]	50 Hz		i [:1]	Type	m [kg]	[N]	[N]
		M ₂ [Nm]	f _B [-]					
0.03	9.0	31.5	7.6	151.2	BF10Z-../D04LA4	21	6400	-
0.03	8.2	34.5	7.0	166.2	BF10Z-../D04LA4	21	6400	-
0.03	7.5	38	6.3	180.1	BF10Z-../D04LA4	21	6400	-
0.03	6.9	41.5	5.8	198.0	BF10Z-../D04LA4	21	6400	-
0.03	6.3	45	5.3	214.5	BF10Z-../D04LA4	21	6400	-
0.03	5.8	49	4.9	235.8	BF10Z-../D04LA4	21	6400	-
0.03	5.3	54	4.4	257.4	BF10Z-../D04LA4	21	6400	-
0.03	4.8	59	4.1	283.1	BF10Z-../D04LA4	21	6400	-
0.03	4.2	68	3.5	324.3	BF10Z-../D04LA4	21	6400	-
0.03	3.8	75	3.2	356.6	BF10Z-../D04LA4	21	6400	-
0.03	3.6	79	3.0	380.2	BF10Z-../D04LA4	21	6400	-
0.03	3.3	86	2.8	418.0	BF10Z-../D04LA4	21	6400	-
0.03	2.9	98	2.4	469.5	BF10Z-../D04LA4	21	6400	-
0.03	2.6	110	2.2	539.1	BF10Z-../D04LA4	21	6400	-
0.03	2.3	124	1.95	592.8	BF10Z-../D04LA4	21	6400	-
0.03	1.8	97	2.7	768.2	BF10G06-../D04LA4	25	6400	-
0.03	1.6	110	2.4	845.1	BF10G06-../D04LA4	25	6400	-
0.03	1.4	130	2.0	994.0	BF10G06-../D04LA4	25	6400	-
0.03	1.2	159	1.65	1190	BF10G06-../D04LA4	25	6400	-
0.03	0.95	210	1.25	1452	BF10G06-../D04LA4	25	6400	-
0.03	0.8	260*	1.0	1744	BF10G06-../D04LA4	25	6400	-
0.03	0.65	260*	1.0	2096	BF10G06-../D04LA4	25	6400	-
0.03	0.55	260*	1.0	2467	BF10G06-../D04LA4	25	6400	-
0.03	0.46	260*	1.0	2952	BF10G06-../D04LA4	25	6400	-
0.03	0.42	260*	1.0	3220	BF10G06-../D04LA4	25	6400	-
0.03	0.35	260*	1.0	3942	BF10G06-../D04LA4	25	6400	-
0.03	0.3	260*	1.0	4569	BF10G06-../D04LA4	25	6400	-
0.03	0.24	260*	1.0	5709	BF10G06-../D04LA4	25	6400	-
0.03	0.21	260*	1.0	6550	BF10G06-../D04LA4	25	6400	-
0.03	0.19	260*	1.0	7144	BF10G06-../D04LA4	25	6400	-
0.03	0.16	260*	1.0	8681	BF10G06-../D04LA4	25	6400	-
0.03	0.15	260*	1.0	9471	BF10G06-../D04LA4	25	6400	-
0.03	1.2	162	2.8	1140	BF20G06-../D04LA4	31	7900	-
0.03	1.0	200	2.3	1392	BF20G06-../D04LA4	31	7900	-
0.03	0.9	230	2.0	1533	BF20G06-../D04LA4	31	7900	-
0.03	0.8	265	1.75	1764	BF20G06-../D04LA4	31	7900	-
0.03	0.65	345	1.35	2192	BF20G06-../D04LA4	31	7900	-
0.03	0.55	410	1.1	2579	BF20G06-../D04LA4	31	7900	-
0.03	0.48	460*	1.0	2829	BF20G06-../D04LA4	31	7900	-
0.03	0.44	460*	1.0	3086	BF20G06-../D04LA4	31	7900	-
0.03	0.36	460*	1.0	3778	BF20G06-../D04LA4	31	7900	-
0.03	0.31	460*	1.0	4379	BF20G06-../D04LA4	31	7900	-
0.03	0.25	460*	1.0	5471	BF20G06-../D04LA4	31	7900	-
0.03	0.2	460*	1.0	6847	BF20G06-../D04LA4	31	7900	-
0.03	0.17	460*	1.0	8320	BF20G06-../D04LA4	31	7900	-
0.03	0.15	460*	1.0	9077	BF20G06-../D04LA4	31	7900	-
0.03	1.0	200	3.2	1404	BF30G06-../D04LA4	41	7400	-
0.03	0.85	245	2.6	1686	BF30G06-../D04LA4	41	7400	-
0.03	0.7	315	2.0	2026	BF30G06-../D04LA4	41	7400	-
0.03	0.6	370	1.7	2386	BF30G06-../D04LA4	41	7400	-
0.03	0.48	485	1.3	2854	BF30G06-../D04LA4	41	7400	-
0.03	0.39	610	1.05	3493	BF30G06-../D04LA4	41	7400	-
0.03	0.36	630*	1.0	3811	BF30G06-../D04LA4	41	7400	-
0.03	0.31	630*	1.0	4417	BF30G06-../D04LA4	41	7400	-
0.03	0.27	630*	1.0	5060	BF30G06-../D04LA4	41	7400	-
0.03	0.22	630*	1.0	6333	BF30G06-../D04LA4	41	7400	-
0.03	0.19	630*	1.0	7206	BF30G06-../D04LA4	41	7400	-
0.03	0.18	630*	1.0	7861	BF30G06-../D04LA4	41	7400	-
0.03	0.15	630*	1.0	9157	BF30G06-../D04LA4	41	7400	-

The torques marked (*) are maximum permissible torques for service factor f_B=1.0.

BF-series shaft-mounted geared motors

Selection - shaft-mounted geared motors

0.04 kW



P _N	50 Hz			i	Type	m		
	n ₂	M ₂	f _B			[kg]	[N]	[N]
[kW]	[1/min]	[Nm]	[-]	[:1]				
0.04	9.0	42	5.7	151.2	BF10Z-../D04LA4	21	6400	-
0.04	8.2	46.5	5.2	166.2	BF10Z-../D04LA4	21	6400	-
0.04	7.5	50	4.8	180.1	BF10Z-../D04LA4	21	6400	-
0.04	6.9	55	4.4	198.0	BF10Z-../D04LA4	21	6400	-
0.04	6.3	60	4.0	214.5	BF10Z-../D04LA4	21	6400	-
0.04	5.8	65	3.7	235.8	BF10Z-../D04LA4	21	6400	-
0.04	5.3	72	3.3	257.4	BF10Z-../D04LA4	21	6400	-
0.04	4.8	79	3.0	283.1	BF10Z-../D04LA4	21	6400	-
0.04	4.2	90	2.7	324.3	BF10Z-../D04LA4	21	6400	-
0.04	3.8	100	2.4	356.6	BF10Z-../D04LA4	21	6400	-
0.04	3.6	106	2.3	380.2	BF10Z-../D04LA4	21	6400	-
0.04	3.3	115	2.1	418.0	BF10Z-../D04LA4	21	6400	-
0.04	2.9	131	1.85	469.5	BF10Z-../D04LA4	21	6400	-
0.04	2.6	146	1.65	539.1	BF10Z-../D04LA4	21	6400	-
0.04	2.3	166	1.45	592.8	BF10Z-../D04LA4	21	6400	-
0.04	2.1	119	2.2	643.8	BF10G06-../D04LA4	25	6400	-
0.04	1.8	150	1.75	768.2	BF10G06-../D04LA4	25	6400	-
0.04	1.6	170	1.55	845.1	BF10G06-../D04LA4	25	6400	-
0.04	1.4	199	1.3	994.0	BF10G06-../D04LA4	25	6400	-
0.04	1.2	235	1.1	1190	BF10G06-../D04LA4	25	6400	-
0.04	3.0	127	3.3	460.0	BF20Z-../D04LA4	28	7900	-
0.04	1.9	141	3.3	736.1	BF20G06-../D04LA4	31	7900	-
0.04	1.7	159	2.9	810.0	BF20G06-../D04LA4	31	7900	-
0.04	1.5	183	2.5	952.7	BF20G06-../D04LA4	31	7900	-
0.04	1.2	240	1.9	1140	BF20G06-../D04LA4	31	7900	-
0.04	1.0	295	1.55	1392	BF20G06-../D04LA4	31	7900	-
0.04	0.9	335	1.35	1533	BF20G06-../D04LA4	31	7900	-
0.04	0.8	385	1.2	1764	BF20G06-../D04LA4	31	7900	-
0.04	1.2	240	2.6	1150	BF30G06-../D04LA4	41	7400	-
0.04	1.1	265	2.4	1286	BF30G06-../D04LA4	41	7400	-
0.04	1.0	295	2.1	1404	BF30G06-../D04LA4	41	7400	-
0.04	0.85	355	1.75	1686	BF30G06-../D04LA4	41	7400	-
0.04	0.7	450	1.4	2026	BF30G06-../D04LA4	41	7400	-
0.04	0.6	530	1.2	2386	BF30G06-../D04LA4	41	7400	-

0.06 kW



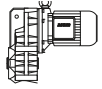
P _N	50 Hz			i	Type	m		
	n ₂	M ₂	f _B			[kg]	[N]	[N]
[kW]	[1/min]	[Nm]	[-]	[:1]				
0.06	51	11.2	8.5	26.76	BF06-../D05LA4	10	3000	-
0.06	43	13.3	7.1	31.50	BF06-../D05LA4	10	3200	-
0.06	36	15.9	6.0	37.69	BF06-../D05LA4	10	3500	-
0.06	29.5	19.4	4.9	46.14	BF06-../D05LA4	10	3800	-
0.06	23.5	24	4.0	58.33	BF06-../D05LA4	10	4000	-
0.06	20.5	27.5	3.5	66.82	BF06-../D05LA4	10	4000	-
0.06	16.5	34.5	2.8	83.61	BF06-../D05LA4	10	4000	-
0.06	14.5	39.5	2.4	95.16	BF06-../D05LA4	10	4000	-
0.06	12.5	45.5	1.8	110.8	BF06-../D05LA4	10	4000	-
0.06	7.5	76	3.2	180.1	BF10Z-../D06LA4	24	6400	-
0.06	6.9	83	2.9	198.0	BF10Z-../D06LA4	24	6400	-
0.06	6.3	90	2.7	214.5	BF10Z-../D06LA4	24	6400	-
0.06	5.8	98	2.4	235.8	BF10Z-../D06LA4	24	6400	-
0.06	5.3	108	2.2	257.4	BF10Z-../D06LA4	24	6400	-
0.06	4.8	119	2.0	283.1	BF10Z-../D06LA4	24	6400	-
0.06	4.2	136	1.75	324.3	BF10Z-../D06LA4	24	6400	-
0.06	3.8	150	1.6	356.6	BF10Z-../D06LA4	24	6400	-
0.06	3.6	159	1.5	380.2	BF10Z-../D06LA4	24	6400	-
0.06	3.3	173	1.4	418.0	BF10Z-../D06LA4	24	6400	-
0.06	2.9	197	1.2	469.5	BF10Z-../D06LA4	24	6400	-
0.06	2.6	220	1.1	539.1	BF10Z-../D06LA4	24	6400	-
0.06	2.3	245	0.98	592.8	BF10Z-../D06LA4	24	6400	-
0.06	2.1	210	1.25	643.8	BF10G06-../D06LA4	28	6400	-

The torques marked (*) are maximum permissible torques for service factor f_B=1.0.

BF-series shaft-mounted geared motors

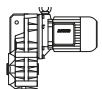
Selection - shaft-mounted geared motors

0.06 kW



P _N [kW]	n ₂ [1/min]	50 Hz		i [:1]	Type	m [kg]	[N]	[N]
		M ₂ [Nm]	f _B [-]					
0.06	1.8	255	1.0	768.2	BF10G06-../D06LA4	28	6400	-
0.06	1.6	290	0.9	845.1	BF10G06-../D06LA4	28	6400	-
0.06	4.2	136	3.1	325.2	BF20Z-../D06LA4	31	7900	-
0.06	4.0	143	2.9	339.1	BF20Z-../D06LA4	31	7900	-
0.06	3.7	154	2.7	373.1	BF20Z-../D06LA4	31	7900	-
0.06	3.3	173	2.4	418.1	BF20Z-../D06LA4	31	7900	-
0.06	3.0	191	2.2	460.0	BF20Z-../D06LA4	31	7900	-
0.06	2.7	157	2.9	513.7	BF20G06-../D06LA4	34	7900	-
0.06	2.2	200	2.3	617.0	BF20G06-../D06LA4	34	7900	-
0.06	1.9	240	1.9	736.1	BF20G06-../D06LA4	34	7900	-
0.06	1.7	270	1.7	810.0	BF20G06-../D06LA4	34	7900	-
0.06	1.5	310	1.5	952.7	BF20G06-../D06LA4	34	7900	-
0.06	1.2	400	1.15	1140	BF20G06-../D06LA4	34	7900	-
0.06	1.0	485	0.95	1392	BF20G06-../D06LA4	34	7900	-
0.06	3.3	173	3.3	412.6	BF30Z-../D06LA4	42	7400	-
0.06	3.0	191	3.0	463.3	BF30Z-../D06LA4	42	7400	-
0.06	2.6	220	2.6	537.0	BF30Z-../D06LA4	42	7400	-
0.06	2.3	245	2.3	590.7	BF30Z-../D06LA4	42	7400	-
0.06	2.2	200	3.2	622.4	BF30G06-../D06LA4	45	7400	-
0.06	2.0	225	2.8	705.1	BF30G06-../D06LA4	45	7400	-
0.06	1.7	270	2.3	817.1	BF30G06-../D06LA4	45	7400	-
0.06	1.5	310	2.0	961.1	BF30G06-../D06LA4	45	7400	-
0.06	1.2	400	1.6	1150	BF30G06-../D06LA4	45	7400	-
0.06	1.1	435	1.45	1286	BF30G06-../D06LA4	45	7400	-
0.06	1.0	485	1.3	1404	BF30G06-../D06LA4	45	7400	-
0.06	0.85	580	1.1	1686	BF30G06-../D06LA4	45	7400	-
0.06	0.95	340	2.9	1484	BF40G10-../D06LA4	58	10600	-
0.06	0.75	460	2.2	1810	BF40G10-../D06LA4	58	10600	-
0.06	0.7	500	2.0	1997	BF40G10-../D06LA4	58	10600	-
0.06	0.55	710	1.4	2536	BF40G10-../D06LA4	58	10600	-
0.06	0.49	840	1.2	2810	BF40G10-../D06LA4	58	10600	-
0.06	0.7	520	2.7	2059	BF50G10-../D06LA4	86	13600	-
0.06	0.6	640	2.2	2360	BF50G10-../D06LA4	86	13600	-
0.06	0.49	860	1.65	2810	BF50G10-../D06LA4	86	13600	-
0.06	0.41	1090	1.3	3348	BF50G10-../D06LA4	86	13600	-
0.06	0.34	1370	1.0	4019	BF50G10-../D06LA4	86	13600	-
0.06	0.42	860	2.9	3237	BF60G20-../D06LA4	134	15300	43300
0.06	0.35	1130	2.2	3883	BF60G20-../D06LA4	134	15300	43300
0.06	0.3	1400	1.8	4646	BF60G20-../D06LA4	134	15300	43300
0.06	0.26	1700	1.45	5241	BF60G20-../D06LA4	134	15300	43300
0.06	0.23	1980	1.25	6014	BF60G20-../D06LA4	134	15300	43300
0.06	0.21	2200	1.15	6679	BF60G20-../D06LA4	134	15300	43300
0.06	0.24	1890	3.0	5691	BF70G20-../D06LA4	212	16100	47700
0.06	0.21	2200	2.6	6530	BF70G20-../D06LA4	212	16100	47700
0.06	0.19	2500	2.3	7248	BF70G20-../D06LA4	212	16100	47700
0.06	0.17	2850	2.0	8052	BF70G20-../D06LA4	212	16100	47700

0.09 kW



P _N [kW]	n ₂ [1/min]	50 Hz		i [:1]	Type	m [kg]	[N]	[N]
		M ₂ [Nm]	f _B [-]					
0.09	112	7.6	9.9	12.07	BF06-../D05LA4	10	2000	-
0.09	96	8.9	9.6	14.21	BF06-../D05LA4	10	2100	-
0.09	80	10.7	8.9	16.99	BF06-../D05LA4	10	2500	-
0.09	67	12.8	7.4	20.42	BF06-../D05LA4	10	2700	-
0.09	51	16.8	5.7	26.76	BF06-../D05LA4	10	3000	-
0.09	43	19.9	4.8	31.50	BF06-../D05LA4	10	3200	-
0.09	36	23.5	4.0	37.69	BF06-../D05LA4	10	3500	-
0.09	29.5	29	3.3	46.14	BF06-../D05LA4	10	3800	-

The torques marked (*) are maximum permissible torques for service factor f_B=1.0.

BF-series shaft-mounted geared motors

Selection - shaft-mounted geared motors

0.09 kW



P _N [kW]	50 Hz			i [:1]	Type	m [kg]	[N]	[N]
	n ₂ [1/min]	M ₂ [Nm]	f _B [-]					
0.09	23.5	36.5	2.6	58.33	BF06-../D05LA4	10	4000	-
0.09	20.5	41.5	2.3	66.82	BF06-../D05LA4	10	4000	-
0.09	16.5	52	1.85	83.61	BF06-../D05LA4	10	4000	-
0.09	14.5	59	1.6	95.16	BF06-../D05LA4	10	4000	-
0.09	12.5	68	1.2	110.8	BF06-../D05LA4	10	4000	-
0.09	11	78	3.1	123.5	BF10-../D06LA4	23	6100	-
0.09	10.5	81	3.0	128.9	BF10-../D06LA4	23	6200	-
0.09	9.6	89	2.7	141.8	BF10-../D06LA4	23	6400	-
0.09	9.0	95	2.5	151.2	BF10Z-../D06LA4	24	6400	-
0.09	8.2	104	2.3	166.2	BF10Z-../D06LA4	24	6400	-
0.09	7.5	114	2.1	180.1	BF10Z-../D06LA4	24	6400	-
0.09	6.9	124	1.95	198.0	BF10Z-../D06LA4	24	6400	-
0.09	6.3	136	1.75	214.5	BF10Z-../D06LA4	24	6400	-
0.09	5.8	148	1.6	235.8	BF10Z-../D06LA4	24	6400	-
0.09	5.3	162	1.5	257.4	BF10Z-../D06LA4	24	6400	-
0.09	4.8	179	1.35	283.1	BF10Z-../D06LA4	24	6400	-
0.09	4.2	200	1.2	324.3	BF10Z-../D06LA4	24	6400	-
0.09	3.8	225	1.05	356.6	BF10Z-../D06LA4	24	6400	-
0.09	3.6	235	1.0	380.2	BF10Z-../D06LA4	24	6400	-
0.09	3.3	260	0.92	418.0	BF10Z-../D06LA4	24	6400	-
0.09	2.9	295	0.81	469.5	BF10Z-../D06LA4	24	6400	-
0.09	2.6	270	0.96	536.0	BF10G06-../D06LA4	28	6400	-
0.09	6.3	136	3.1	216.9	BF20Z-../D06LA4	31	7900	-
0.09	5.8	148	2.8	235.9	BF20Z-../D06LA4	31	7900	-
0.09	5.3	162	2.6	259.6	BF20Z-../D06LA4	31	7900	-
0.09	4.6	186	2.3	295.5	BF20Z-../D06LA4	31	7900	-
0.09	4.2	200	2.1	325.2	BF20Z-../D06LA4	31	7900	-
0.09	4.0	210	2.0	339.1	BF20Z-../D06LA4	31	7900	-
0.09	3.7	230	1.85	373.1	BF20Z-../D06LA4	31	7900	-
0.09	3.3	260	1.6	418.1	BF20Z-../D06LA4	31	7900	-
0.09	3.0	285	1.45	460.0	BF20Z-../D06LA4	31	7900	-
0.09	2.7	260	1.75	513.7	BF20G06-../D06LA4	34	7900	-
0.09	2.2	330	1.4	617.0	BF20G06-../D06LA4	34	7900	-
0.09	1.9	390	1.2	736.1	BF20G06-../D06LA4	34	7900	-
0.09	1.7	440	1.05	810.0	BF20G06-../D06LA4	34	7900	-
0.09	1.5	500	0.92	952.7	BF20G06-../D06LA4	34	7900	-
0.09	4.7	182	3.2	289.8	BF30Z-../D06LA4	42	7400	-
0.09	4.4	195	2.9	310.7	BF30Z-../D06LA4	42	7400	-
0.09	4.0	210	2.7	341.8	BF30Z-../D06LA4	42	7400	-
0.09	3.6	235	2.4	375.1	BF30Z-../D06LA4	42	7400	-
0.09	3.3	260	2.2	412.6	BF30Z-../D06LA4	42	7400	-
0.09	3.0	285	2.0	463.3	BF30Z-../D06LA4	42	7400	-
0.09	2.6	330	1.75	537.0	BF30Z-../D06LA4	42	7400	-
0.09	2.3	370	1.55	590.7	BF30Z-../D06LA4	42	7400	-
0.09	2.2	330	1.9	622.4	BF30G06-../D06LA4	45	7400	-
0.09	2.0	370	1.7	705.1	BF30G06-../D06LA4	45	7400	-
0.09	1.7	435	1.45	817.1	BF30G06-../D06LA4	45	7400	-
0.09	1.5	500	1.25	961.1	BF30G06-../D06LA4	45	7400	-
0.09	1.2	630	1.0	1150	BF30G06-../D06LA4	45	7400	-
0.09	1.1	690	0.91	1286	BF30G06-../D06LA4	45	7400	-
0.09	1.0	770	0.82	1404	BF30G06-../D06LA4	45	7400	-
0.09	3.0	285	3.2	459.1	BF40Z-../D06LA4	53	10600	-
0.09	2.7	315	2.9	514.6	BF40Z-../D06LA4	53	10600	-
0.09	2.4	355	2.5	566.1	BF40Z-../D06LA4	53	10600	-
0.09	1.5	350	2.9	928.9	BF40G10-../D06LA4	58	10600	-
0.09	1.3	420	2.4	1106	BF40G10-../D06LA4	58	10600	-
0.09	1.1	540	1.85	1324	BF40G10-../D06LA4	58	10600	-
0.09	0.95	640	1.55	1484	BF40G10-../D06LA4	58	10600	-
0.09	0.75	840	1.2	1810	BF40G10-../D06LA4	58	10600	-
0.09	0.7	910	1.1	1997	BF40G10-../D06LA4	58	10600	-
0.09	1.2	500	2.8	1203	BF50G10-../D06LA4	86	13600	-
0.09	1.0	620	2.3	1359	BF50G10-../D06LA4	86	13600	-
0.09	0.9	680	2.1	1520	BF50G10-../D06LA4	86	13600	-
0.09	0.85	730	1.9	1684	BF50G10-../D06LA4	86	13600	-
0.09	0.7	920	1.5	2059	BF50G10-../D06LA4	86	13600	-

The torques marked (*) are maximum permissible torques for service factor f_B=1.0.

BF-series shaft-mounted geared motors

Selection - shaft-mounted geared motors

0.09 kW



P _N [kW]	n ₂ [1/min]	50 Hz		i [:1]	Type	m [kg]	[N]	[N]
		M ₂ [Nm]	f _B [—]					
0.09	0.6	1120	1.25	2360	BF50G10-../D06LA4	86	13600	-
0.09	0.7	780	3.2	1955	BF60G20-../D06LA4	134	15300	43300
0.09	0.65	860	2.9	2172	BF60G20-../D06LA4	134	15300	43300
0.09	0.49	1250	2.0	2781	BF60G20-../D06LA4	134	15300	43300
0.09	0.42	1540	1.6	3237	BF60G20-../D06LA4	134	15300	43300
0.09	0.35	1950	1.3	3883	BF60G20-../D06LA4	134	15300	43300
0.09	0.3	2350	1.05	4646	BF60G20-../D06LA4	134	15300	43300
0.09	0.34	2000	2.9	4090	BF70G20-../D06LA4	212	16100	47700
0.09	0.3	2350	2.4	4542	BF70G20-../D06LA4	212	16100	47700
0.09	0.27	2650	2.2	5124	BF70G20-../D06LA4	212	16100	47700
0.09	0.24	3050	1.85	5691	BF70G20-../D06LA4	212	16100	47700
0.09	0.21	3600	1.6	6530	BF70G20-../D06LA4	212	16100	47700
0.09	0.19	4000	1.45	7248	BF70G20-../D06LA4	212	16100	47700
0.09	0.17	4550	1.25	8052	BF70G20-../D06LA4	212	16100	47700

0.11 kW



P _N [kW]	n ₂ [1/min]	50 Hz		i [:1]	Type	m [kg]	[N]	[N]
		M ₂ [Nm]	f _B [—]					
0.11	9.0	116	2.1	151.2	BF10Z-../D04LA4	21	6400	-
0.11	8.2	128	1.9	166.2	BF10Z-../D04LA4	21	6400	-
0.11	7.5	140	1.7	180.1	BF10Z-../D04LA4	21	6400	-
0.11	6.9	152	1.6	198.0	BF10Z-../D04LA4	21	6400	-
0.11	6.3	166	1.45	214.5	BF10Z-../D04LA4	21	6400	-
0.11	5.8	181	1.35	235.8	BF10Z-../D04LA4	21	6400	-
0.11	5.3	198	1.2	257.4	BF10Z-../D04LA4	21	6400	-
0.11	4.8	215	1.1	283.1	BF10Z-../D04LA4	21	6400	-
0.11	4.2	250	0.96	324.3	BF10Z-../D04LA4	21	6400	-
0.11	3.8	275	0.87	356.6	BF10Z-../D04LA4	21	6400	-
0.11	3.6	290	0.83	380.2	BF10Z-../D04LA4	21	6400	-
0.11	3.2	280	0.93	424.5	BF10G06-../D04LA4	25	6400	-
0.11	8.3	126	3.3	164.3	BF20Z-../D04LA4	28	7900	-
0.11	7.5	140	3.0	180.8	BF20Z-../D04LA4	28	7900	-
0.11	6.9	152	2.8	197.1	BF20Z-../D04LA4	28	7900	-
0.11	6.3	166	2.5	216.9	BF20Z-../D04LA4	28	7900	-
0.11	5.8	181	2.3	235.9	BF20Z-../D04LA4	28	7900	-
0.11	5.3	198	2.1	259.6	BF20Z-../D04LA4	28	7900	-
0.11	4.6	225	1.85	295.5	BF20Z-../D04LA4	28	7900	-
0.11	4.2	250	1.7	325.2	BF20Z-../D04LA4	28	7900	-
0.11	4.0	260	1.6	339.1	BF20Z-../D04LA4	28	7900	-
0.11	3.7	280	1.5	373.1	BF20Z-../D04LA4	28	7900	-
0.11	3.3	315	1.35	418.1	BF20Z-../D04LA4	28	7900	-
0.11	3.0	350	1.2	460.0	BF20Z-../D04LA4	28	7900	-
0.11	2.7	330	1.4	513.7	BF20G06-../D04LA4	31	7900	-
0.11	2.2	415	1.1	617.0	BF20G06-../D04LA4	31	7900	-
0.11	1.9	490	0.94	736.1	BF20G06-../D04LA4	31	7900	-
0.11	1.7	550	0.84	810.0	BF20G06-../D04LA4	31	7900	-
0.11	2.2	415	1.5	622.4	BF30G06-../D04LA4	41	7400	-
0.11	2.0	465	1.35	705.1	BF30G06-../D04LA4	41	7400	-
0.11	1.7	550	1.15	817.1	BF30G06-../D04LA4	41	7400	-
0.11	1.5	620	1.0	961.1	BF30G06-../D04LA4	41	7400	-
0.11	1.2	790	0.8	1150	BF30G06-../D04LA4	41	7400	-

The torques marked (*) are maximum permissible torques for service factor f_B=1.0.

BF-series shaft-mounted geared motors

Selection - shaft-mounted geared motors

0.12 kW



P _N [kW]	n ₂ [1/min]	50 Hz		i [:1]	Type	m [kg]	[N]	[N]
		M ₂ [Nm]	f _B [-]					
0.12	151	7.5	9.3	9.21	BF06-../DHE05LA4	10	1900	-
0.12	116	9.8	7.7	12.07	BF06-../DHE05LA4	10	2000	-
0.12	98	11.6	7.3	14.21	BF06-../DHE05LA4	10	2100	-
0.12	82	13.9	6.8	16.99	BF06-../DHE05LA4	10	2500	-
0.12	69	16.6	5.7	20.42	BF06-../DHE05LA4	10	2700	-
0.12	52	22	4.3	26.76	BF06-../DHE05LA4	10	3000	-
0.12	44.5	25.5	3.7	31.50	BF06-../DHE05LA4	10	3200	-
0.12	37	30.5	3.1	37.69	BF06-../DHE05LA4	10	3500	-
0.12	30.5	37.5	2.5	46.14	BF06-../DHE05LA4	10	3800	-
0.12	24	47.5	2.0	58.33	BF06-../DHE05LA4	10	4000	-
0.12	21	54	1.75	66.82	BF06-../DHE05LA4	10	4000	-
0.12	17	67	1.4	83.61	BF06-../DHE05LA4	10	4000	-
0.12	15	76	1.25	95.16	BF06-../DHE05LA4	10	4000	-
0.12	13	88	0.92	110.8	BF06-../DHE05LA4	10	4000	-
0.12	15.5	73	3.3	90.91	BF10-../DHE06LA4	23	5400	-
0.12	14	81	3.0	99.97	BF10-../DHE06LA4	23	5600	-
0.12	12.5	91	2.6	112.3	BF10-../DHE06LA4	23	5900	-
0.12	11.5	99	2.4	123.5	BF10-../DHE06LA4	23	6100	-
0.12	11	104	2.3	128.9	BF10-../DHE06LA4	23	6200	-
0.12	9.8	116	2.1	141.8	BF10-../DHE06LA4	23	6400	-
0.12	9.2	124	1.95	151.2	BF10Z-../DHE06LA4	24	6400	-
0.12	8.4	136	1.75	166.2	BF10Z-../DHE06LA4	24	6400	-
0.12	7.7	148	1.6	180.1	BF10Z-../DHE06LA4	24	6400	-
0.12	7.0	163	1.45	198.0	BF10Z-../DHE06LA4	24	6400	-
0.12	6.5	176	1.35	214.5	BF10Z-../DHE06LA4	24	6400	-
0.12	5.9	194	1.25	235.8	BF10Z-../DHE06LA4	24	6400	-
0.12	5.4	210	1.15	257.4	BF10Z-../DHE06LA4	24	6400	-
0.12	4.9	230	1.05	283.1	BF10Z-../DHE06LA4	24	6400	-
0.12	4.3	265	0.91	324.3	BF10Z-../DHE06LA4	24	6400	-
0.12	3.9	290	0.83	356.6	BF10Z-../DHE06LA4	24	6400	-
0.12	3.7	265	0.98	377.9	BF10G06-../DHE06LA4	28	6400	-
0.12	3.3	300	0.87	424.5	BF10G06-../DHE06LA4	28	6400	-
0.12	2.6	260*	1.0	536.0	BF10G06-../DHE06LA4	28	6400	-
0.12	2.2	260*	1.0	643.8	BF10G06-../DHE06LA4	28	6400	-
0.12	1.9	260*	1.0	768.2	BF10G06-../DHE06LA4	28	6400	-
0.12	1.7	260*	1.0	845.1	BF10G06-../DHE06LA4	28	6400	-
0.12	1.4	260*	1.0	994.0	BF10G06-../DHE06LA4	28	6400	-
0.12	1.2	260*	1.0	1190	BF10G06-../DHE06LA4	28	6400	-
0.12	1.0	260*	1.0	1452	BF10G06-../DHE06LA4	28	6400	-
0.12	0.8	260*	1.0	1744	BF10G06-../DHE06LA4	28	6400	-
0.12	0.7	260*	1.0	2096	BF10G06-../DHE06LA4	28	6400	-
0.12	0.6	260*	1.0	2467	BF10G06-../DHE06LA4	28	6400	-
0.12	0.47	260*	1.0	2952	BF10G06-../DHE06LA4	28	6400	-
0.12	0.44	260*	1.0	3220	BF10G06-../DHE06LA4	28	6400	-
0.12	0.36	260*	1.0	3942	BF10G06-../DHE06LA4	28	6400	-
0.12	0.31	260*	1.0	4569	BF10G06-../DHE06LA4	28	6400	-
0.12	0.25	260*	1.0	5709	BF10G06-../DHE06LA4	28	6400	-
0.12	0.22	260*	1.0	6550	BF10G06-../DHE06LA4	28	6400	-
0.12	0.2	260*	1.0	7144	BF10G06-../DHE06LA4	28	6400	-
0.12	0.16	260*	1.0	8681	BF10G06-../DHE06LA4	28	6400	-
0.12	0.15	260*	1.0	9471	BF10G06-../DHE06LA4	28	6400	-
0.12	9.0	127	3.3	155.4	BF20Z-../DHE06LA4	31	7900	-
0.12	8.5	134	3.1	164.3	BF20Z-../DHE06LA4	31	7900	-
0.12	7.7	148	2.8	180.8	BF20Z-../DHE06LA4	31	7900	-
0.12	7.1	161	2.6	197.1	BF20Z-../DHE06LA4	31	7900	-
0.12	6.4	179	2.3	216.9	BF20Z-../DHE06LA4	31	7900	-
0.12	5.9	194	2.2	235.9	BF20Z-../DHE06LA4	31	7900	-
0.12	5.4	210	2.0	259.6	BF20Z-../DHE06LA4	31	7900	-
0.12	4.7	240	1.75	295.5	BF20Z-../DHE06LA4	31	7900	-
0.12	4.3	265	1.6	325.2	BF20Z-../DHE06LA4	31	7900	-
0.12	4.1	275	1.55	339.1	BF20Z-../DHE06LA4	31	7900	-
0.12	3.8	300	1.4	373.1	BF20Z-../DHE06LA4	31	7900	-
0.12	3.4	335	1.25	418.1	BF20Z-../DHE06LA4	31	7900	-
0.12	3.1	365	1.15	460.0	BF20Z-../DHE06LA4	31	7900	-
0.12	2.7	370	1.25	513.7	BF20G06-../DHE06LA4	34	7900	-
0.12	2.3	435	1.05	617.0	BF20G06-../DHE06LA4	34	7900	-
0.12	1.9	540	0.85	736.1	BF20G06-../DHE06LA4	34	7900	-
0.12	1.8	570	0.81	810.0	BF20G06-../DHE06LA4	34	7900	-

The torques marked (*) are maximum permissible torques for service factor f_B=1.0.

BF-series shaft-mounted geared motors

Selection - shaft-mounted geared motors

0.12 kW



P _N [kW]	n ₂ [1/min]	50 Hz		i [:1]	Type	m [kg]	[N]	[N]
		M ₂ [Nm]	f _B [-]					
0.12	1.5	460*	1.0	952.7	BF20G06-../DHE06LA4	34	7900	-
0.12	1.3	460*	1.0	1140	BF20G06-../DHE06LA4	34	7900	-
0.12	1.0	460*	1.0	1392	BF20G06-../DHE06LA4	34	7900	-
0.12	0.95	460*	1.0	1533	BF20G06-../DHE06LA4	34	7900	-
0.12	0.8	460*	1.0	1764	BF20G06-../DHE06LA4	34	7900	-
0.12	0.65	460*	1.0	2192	BF20G06-../DHE06LA4	34	7900	-
0.12	0.55	460*	1.0	2579	BF20G06-../DHE06LA4	34	7900	-
0.12	0.49	460*	1.0	2829	BF20G06-../DHE06LA4	34	7900	-
0.12	0.45	460*	1.0	3086	BF20G06-../DHE06LA4	34	7900	-
0.12	0.37	460*	1.0	3778	BF20G06-../DHE06LA4	34	7900	-
0.12	0.32	460*	1.0	4379	BF20G06-../DHE06LA4	34	7900	-
0.12	0.26	460*	1.0	5471	BF20G06-../DHE06LA4	34	7900	-
0.12	0.21	460*	1.0	6847	BF20G06-../DHE06LA4	34	7900	-
0.12	0.17	460*	1.0	8320	BF20G06-../DHE06LA4	34	7900	-
0.12	0.16	460*	1.0	9077	BF20G06-../DHE06LA4	34	7900	-
0.12	6.2	184	3.1	224.8	BF30Z-../DHE06LA4	42	7400	-
0.12	5.7	200	2.9	247.3	BF30Z-../DHE06LA4	42	7400	-
0.12	5.3	215	2.7	263.5	BF30Z-../DHE06LA4	42	7400	-
0.12	4.8	235	2.4	289.8	BF30Z-../DHE06LA4	42	7400	-
0.12	4.5	250	2.3	310.7	BF30Z-../DHE06LA4	42	7400	-
0.12	4.1	275	2.1	341.8	BF30Z-../DHE06LA4	42	7400	-
0.12	3.7	305	1.9	375.1	BF30Z-../DHE06LA4	42	7400	-
0.12	3.4	335	1.7	412.6	BF30Z-../DHE06LA4	42	7400	-
0.12	3.0	380	1.5	463.3	BF30Z-../DHE06LA4	42	7400	-
0.12	2.8	405	1.4	509.6	BF30Z-../DHE06LA4	42	7400	-
0.12	2.6	440	1.3	537.0	BF30Z-../DHE06LA4	42	7400	-
0.12	2.4	475	1.2	590.7	BF30Z-../DHE06LA4	42	7400	-
0.12	2.3	435	1.45	622.4	BF30G06-../DHE06LA4	45	7400	-
0.12	2.0	510	1.25	705.1	BF30G06-../DHE06LA4	45	7400	-
0.12	1.7	600	1.05	817.1	BF30G06-../DHE06LA4	45	7400	-
0.12	1.5	690	0.91	961.1	BF30G06-../DHE06LA4	45	7400	-
0.12	1.3	630*	1.0	1150	BF30G06-../DHE06LA4	45	7400	-
0.12	1.1	630*	1.0	1286	BF30G06-../DHE06LA4	45	7400	-
0.12	1.0	630*	1.0	1404	BF30G06-../DHE06LA4	45	7400	-
0.12	0.85	630*	1.0	1686	BF30G06-../DHE06LA4	45	7400	-
0.12	0.7	630*	1.0	2026	BF30G06-../DHE06LA4	45	7400	-
0.12	0.6	630*	1.0	2386	BF30G06-../DHE06LA4	45	7400	-
0.12	0.49	630*	1.0	2854	BF30G06-../DHE06LA4	45	7400	-
0.12	0.4	630*	1.0	3493	BF30G06-../DHE06LA4	45	7400	-
0.12	0.37	630*	1.0	3811	BF30G06-../DHE06LA4	45	7400	-
0.12	0.32	630*	1.0	4417	BF30G06-../DHE06LA4	45	7400	-
0.12	0.28	630*	1.0	5060	BF30G06-../DHE06LA4	45	7400	-
0.12	0.22	630*	1.0	6333	BF30G06-../DHE06LA4	45	7400	-
0.12	0.2	630*	1.0	7206	BF30G06-../DHE06LA4	45	7400	-
0.12	0.18	630*	1.0	7861	BF30G06-../DHE06LA4	45	7400	-
0.12	0.16	630*	1.0	9157	BF30G06-../DHE06LA4	45	7400	-
0.12	4.0	285	3.2	346.8	BF40Z-../DHE06LA4	53	10600	-
0.12	3.7	305	3.0	381.5	BF40Z-../DHE06LA4	53	10600	-
0.12	3.4	335	2.7	417.3	BF40Z-../DHE06LA4	53	10600	-
0.12	3.1	365	2.5	459.1	BF40Z-../DHE06LA4	53	10600	-
0.12	2.7	420	2.1	514.6	BF40Z-../DHE06LA4	53	10600	-
0.12	2.5	455	2.0	566.1	BF40Z-../DHE06LA4	53	10600	-
0.12	1.9	395	2.5	731.6	BF40G10-../DHE06LA4	58	10600	-
0.12	1.5	540	1.85	928.9	BF40G10-../DHE06LA4	58	10600	-
0.12	1.3	640	1.55	1106	BF40G10-../DHE06LA4	58	10600	-
0.12	1.1	800	1.25	1324	BF40G10-../DHE06LA4	58	10600	-
0.12	0.95	940	1.05	1484	BF40G10-../DHE06LA4	58	10600	-
0.12	0.8	1000*	1.0	1810	BF40G10-../DHE06LA4	58	10600	-
0.12	0.7	1000*	1.0	1997	BF40G10-../DHE06LA4	58	10600	-
0.12	0.55	1000*	1.0	2536	BF40G10-../DHE06LA4	58	10600	-
0.12	0.5	1000*	1.0	2810	BF40G10-../DHE06LA4	58	10600	-
0.12	0.42	1000*	1.0	3346	BF40G10-../DHE06LA4	58	10600	-
0.12	0.35	1000*	1.0	3985	BF40G10-../DHE06LA4	58	10600	-
0.12	0.29	1000*	1.0	4784	BF40G10-../DHE06LA4	58	10600	-
0.12	0.26	1000*	1.0	5439	BF40G10-../DHE06LA4	58	10600	-
0.12	0.22	1000*	1.0	6377	BF40G10-../DHE06LA4	58	10600	-
0.12	0.18	1000*	1.0	7875	BF40G10-../DHE06LA4	58	10600	-
0.12	0.16	1000*	1.0	9042	BF40G10-../DHE06LA4	58	10600	-

The torques marked (*) are maximum permissible torques for service factor f_B=1.0.

BF-series shaft-mounted geared motors

Selection - shaft-mounted geared motors

0.12 kW



P _N [kW]	n ₂ [1/min]	50 Hz		i [:1]	Type	m [kg]	[N]	[N]
		M ₂ [Nm]	f _B [-]					
0.12	2.8	405	3.2	496.4	BF50Z-../DHE06LA4	82	13600	-
0.12	2.5	455	2.9	555.2	BF50Z-../DHE06LA4	82	13600	-
0.12	1.7	465	3.0	864.5	BF50G10-../DHE06LA4	86	13600	-
0.12	1.4	590	2.4	1029	BF50G10-../DHE06LA4	86	13600	-
0.12	1.2	740	1.9	1203	BF50G10-../DHE06LA4	86	13600	-
0.12	1.1	800	1.75	1359	BF50G10-../DHE06LA4	86	13600	-
0.12	0.95	930	1.5	1520	BF50G10-../DHE06LA4	86	13600	-
0.12	0.85	1060	1.3	1684	BF50G10-../DHE06LA4	86	13600	-
0.12	0.7	1330	1.05	2059	BF50G10-../DHE06LA4	86	13600	-
0.12	0.6	1400*	1.0	2360	BF50G10-../DHE06LA4	86	13600	-
0.12	0.5	1400*	1.0	2810	BF50G10-../DHE06LA4	86	13600	-
0.12	0.42	1400*	1.0	3348	BF50G10-../DHE06LA4	86	13600	-
0.12	0.35	1400*	1.0	4019	BF50G10-../DHE06LA4	86	13600	-
0.12	0.28	1400*	1.0	5062	BF50G10-../DHE06LA4	86	13600	-
0.12	0.24	1400*	1.0	5935	BF50G10-../DHE06LA4	86	13600	-
0.12	0.19	1400*	1.0	7329	BF50G10-../DHE06LA4	86	13600	-
0.12	0.18	1400*	1.0	8120	BF50G10-../DHE06LA4	86	13600	-
0.12	0.15	1400*	1.0	9324	BF50G10-../DHE06LA4	86	13600	-
0.12	0.95	820	3.0	1494	BF60G20-../DHE06LA4	134	15300	43300
0.12	0.85	920	2.7	1658	BF60G20-../DHE06LA4	134	15300	43300
0.12	0.75	1080	2.3	1955	BF60G20-../DHE06LA4	134	15300	43300
0.12	0.65	1300	1.9	2172	BF60G20-../DHE06LA4	134	15300	43300
0.12	0.5	1790	1.4	2781	BF60G20-../DHE06LA4	134	15300	43300
0.12	0.43	2150	1.15	3237	BF60G20-../DHE06LA4	134	15300	43300
0.12	0.36	2500*	1.0	3883	BF60G20-../DHE06LA4	134	15300	43300
0.12	0.3	2500*	1.0	4646	BF60G20-../DHE06LA4	134	15300	43300
0.12	0.27	2500*	1.0	5241	BF60G20-../DHE06LA4	134	15300	43300
0.12	0.24	2500*	1.0	6014	BF60G20-../DHE06LA4	134	15300	43300
0.12	0.21	2500*	1.0	6679	BF60G20-../DHE06LA4	134	15300	43300
0.12	0.17	2500*	1.0	8235	BF60G20-../DHE06LA4	134	15300	43300
0.12	0.49	1840	3.1	2849	BF70G20-../DHE06LA4	212	16100	47700
0.12	0.41	2300	2.5	3417	BF70G20-../DHE06LA4	212	16100	47700
0.12	0.34	2850	2.0	4090	BF70G20-../DHE06LA4	212	16100	47700
0.12	0.31	3200	1.8	4542	BF70G20-../DHE06LA4	212	16100	47700
0.12	0.28	3600	1.6	5124	BF70G20-../DHE06LA4	212	16100	47700
0.12	0.25	4050	1.4	5691	BF70G20-../DHE06LA4	212	16100	47700
0.12	0.22	4700	1.2	6530	BF70G20-../DHE06LA4	212	16100	47700
0.12	0.2	5200	1.1	7248	BF70G20-../DHE06LA4	212	16100	47700
0.12	0.18	5700*	1.0	8052	BF70G20-../DHE06LA4	212	16100	47700

0.18 kW



P _N [kW]	n ₂ [1/min]	50 Hz		i [:1]	Type	m [kg]	[N]	[N]
		M ₂ [Nm]	f _B [-]					
0.18	180	9.5	7.2	7.66	BF06-../DHE05LA4	10	1800	-
0.18	150	11.4	6.1	9.21	BF06-../DHE05LA4	10	1900	-
0.18	114	15	5.0	12.07	BF06-../DHE05LA4	10	2000	-
0.18	97	17.7	4.8	14.21	BF06-../DHE05LA4	10	2100	-
0.18	81	21	4.5	16.99	BF06-../DHE05LA4	10	2500	-
0.18	68	25	3.8	20.42	BF06-../DHE05LA4	10	2700	-
0.18	52	33	2.9	26.76	BF06-../DHE05LA4	10	3000	-
0.18	44	39	2.4	31.50	BF06-../DHE05LA4	10	3200	-
0.18	36.5	47	2.0	37.69	BF06-../DHE05LA4	10	3500	-
0.18	30	57	1.65	46.14	BF06-../DHE05LA4	10	3800	-
0.18	24	71	1.35	58.33	BF06-../DHE05LA4	10	4000	-
0.18	21	81	1.15	66.82	BF06-../DHE05LA4	10	4000	-
0.18	16.5	104	0.91	83.61	BF06-../DHE05LA4	10	4000	-
0.18	14.5	118	0.81	95.16	BF06-../DHE05LA4	10	4000	-
0.18	22.5	76	3.2	61.55	BF10-../DHE06LA4	23	4700	-
0.18	20.5	83	2.9	67.69	BF10-../DHE06LA4	23	4900	-
0.18	18	95	2.5	77.55	BF10-../DHE06LA4	23	5100	-
0.18	16.5	104	2.3	85.27	BF10-../DHE06LA4	23	5300	-

The torques marked (*) are maximum permissible torques for service factor f_B=1.0.

BF-series shaft-mounted geared motors

Selection - shaft-mounted geared motors

0.18 kW



P _N [kW]	n ₂ [1/min]	50 Hz		i [:1]	Type	m [kg]	[N]	[N]
		M ₂ [Nm]	f _B [-]					
0.18	15.5	110	2.2	90.91	BF10-../DHE06LA4	23	5400	-
0.18	14	122	1.95	99.97	BF10-../DHE06LA4	23	5600	-
0.18	12.5	137	1.75	112.3	BF10-../DHE06LA4	23	5900	-
0.18	11.5	149	1.6	123.5	BF10-../DHE06LA4	23	6100	-
0.18	11	156	1.55	128.9	BF10-../DHE06LA4	23	6200	-
0.18	9.7	177	1.35	141.8	BF10-../DHE06LA4	23	6400	-
0.18	9.1	188	1.3	151.2	BF10Z-../DHE06LA4	24	6400	-
0.18	8.3	205	1.15	166.2	BF10Z-../DHE06LA4	24	6400	-
0.18	7.7	220	1.1	180.1	BF10Z-../DHE06LA4	24	6400	-
0.18	7.0	245	0.98	198.0	BF10Z-../DHE06LA4	24	6400	-
0.18	6.4	265	0.91	214.5	BF10Z-../DHE06LA4	24	6400	-
0.18	5.9	290	0.83	235.8	BF10Z-../DHE06LA4	24	6400	-
0.18	12.5	137	3.1	110.2	BF20-../DHE06LA4	30	7300	-
0.18	11.5	149	2.8	123.5	BF20-../DHE06LA4	30	7600	-
0.18	10.5	163	2.6	135.9	BF20-../DHE06LA4	30	7900	-
0.18	9.8	175	2.4	141.2	BF20Z-../DHE06LA4	31	7900	-
0.18	8.9	193	2.2	155.4	BF20Z-../DHE06LA4	31	7900	-
0.18	8.4	200	2.1	164.3	BF20Z-../DHE06LA4	31	7900	-
0.18	7.6	225	1.85	180.8	BF20Z-../DHE06LA4	31	7900	-
0.18	7.0	245	1.7	197.1	BF20Z-../DHE06LA4	31	7900	-
0.18	6.4	265	1.6	216.9	BF20Z-../DHE06LA4	31	7900	-
0.18	5.9	290	1.45	235.9	BF20Z-../DHE06LA4	31	7900	-
0.18	5.3	320	1.3	259.6	BF20Z-../DHE06LA4	31	7900	-
0.18	4.7	365	1.15	295.5	BF20Z-../DHE06LA4	31	7900	-
0.18	4.3	395	1.05	325.2	BF20Z-../DHE06LA4	31	7900	-
0.18	4.1	415	1.0	339.1	BF20Z-../DHE06LA4	31	7900	-
0.18	3.7	460	0.91	373.1	BF20Z-../DHE06LA4	31	7900	-
0.18	3.3	520	0.81	418.1	BF20Z-../DHE06LA4	31	7900	-
0.18	9.1	188	3.1	150.7	BF30Z-../DHE06LA4	42	7400	-
0.18	8.3	205	2.8	165.8	BF30Z-../DHE06LA4	42	7400	-
0.18	7.8	220	2.6	176.6	BF30Z-../DHE06LA4	42	7400	-
0.18	7.1	240	2.4	194.3	BF30Z-../DHE06LA4	42	7400	-
0.18	6.1	280	2.1	224.8	BF30Z-../DHE06LA4	42	7400	-
0.18	5.6	305	1.9	247.3	BF30Z-../DHE06LA4	42	7400	-
0.18	5.2	330	1.75	263.5	BF30Z-../DHE06LA4	42	7400	-
0.18	4.8	355	1.6	289.8	BF30Z-../DHE06LA4	42	7400	-
0.18	4.5	380	1.5	310.7	BF30Z-../DHE06LA4	42	7400	-
0.18	4.1	415	1.4	341.8	BF30Z-../DHE06LA4	42	7400	-
0.18	3.7	460	1.25	375.1	BF30Z-../DHE06LA4	42	7400	-
0.18	3.4	500	1.15	412.6	BF30Z-../DHE06LA4	42	7400	-
0.18	3.0	570	1.0	463.3	BF30Z-../DHE06LA4	42	7400	-
0.18	2.6	660	0.87	537.0	BF30Z-../DHE06LA4	42	7400	-
0.18	2.4	710	0.81	590.7	BF30Z-../DHE06LA4	42	7400	-
0.18	2.3	680	0.93	622.4	BF30G06-../DHE06LA4	45	7400	-
0.18	6.2	275	3.3	222.4	BF40Z-../DHE06LA4	53	10600	-
0.18	5.5	310	2.9	253.2	BF40Z-../DHE06LA4	53	10600	-
0.18	5.0	340	2.6	278.5	BF40Z-../DHE06LA4	53	10600	-
0.18	4.7	365	2.5	295.1	BF40Z-../DHE06LA4	53	10600	-
0.18	4.3	395	2.3	324.7	BF40Z-../DHE06LA4	53	10600	-
0.18	4.0	425	2.1	346.8	BF40Z-../DHE06LA4	53	10600	-
0.18	3.6	475	1.9	381.5	BF40Z-../DHE06LA4	53	10600	-
0.18	3.3	520	1.75	417.3	BF40Z-../DHE06LA4	53	10600	-
0.18	3.0	570	1.6	459.1	BF40Z-../DHE06LA4	53	10600	-
0.18	2.7	630	1.45	514.6	BF40Z-../DHE06LA4	53	10600	-
0.18	2.5	680	1.3	566.1	BF40Z-../DHE06LA4	53	10600	-
0.18	2.3	560	1.8	597.3	BF40G10-../DHE06LA4	58	10600	-
0.18	1.9	690	1.45	731.6	BF40G10-../DHE06LA4	58	10600	-
0.18	1.5	920	1.1	928.9	BF40G10-../DHE06LA4	58	10600	-
0.18	1.3	1080	0.93	1106	BF40G10-../DHE06LA4	58	10600	-
0.18	4.4	390	3.3	316.6	BF50Z-../DHE06LA4	82	13600	-
0.18	3.9	440	3.0	354.0	BF50Z-../DHE06LA4	82	13600	-
0.18	3.5	490	2.7	392.8	BF50Z-../DHE06LA4	82	13600	-
0.18	3.2	530	2.5	439.3	BF50Z-../DHE06LA4	82	13600	-
0.18	2.8	610	2.1	496.4	BF50Z-../DHE06LA4	82	13600	-
0.18	2.5	680	1.9	555.2	BF50Z-../DHE06LA4	82	13600	-
0.18	2.1	620	2.3	680.9	BF50G10-../DHE06LA4	86	13600	-

The torques marked (*) are maximum permissible torques for service factor f_B=1.0.

BF-series shaft-mounted geared motors

Selection - shaft-mounted geared motors

0.18 kW



P _N [kW]	n ₂ [1/min]	50 Hz		i [:1]	Type	m		
		M ₂ [Nm]	f _B [—]			[kg]	[N]	[N]
0.18	1.6	860	1.65	864.5	BF50G10-../DHE06LA4	86	13600	-
0.18	1.4	1000	1.4	1029	BF50G10-../DHE06LA4	86	13600	-
0.18	1.2	1220	1.15	1203	BF50G10-../DHE06LA4	86	13600	-
0.18	1.1	1320	1.05	1359	BF50G10-../DHE06LA4	86	13600	-
0.18	1.5	870	2.9	937.6	BF60G20-../DHE06LA4	134	15300	43300
0.18	1.2	1120	2.2	1211	BF60G20-../DHE06LA4	134	15300	43300
0.18	0.95	1430	1.75	1494	BF60G20-../DHE06LA4	134	15300	43300
0.18	0.85	1600	1.55	1658	BF60G20-../DHE06LA4	134	15300	43300
0.18	0.75	1840	1.35	1955	BF60G20-../DHE06LA4	134	15300	43300
0.18	0.65	2150	1.15	2172	BF60G20-../DHE06LA4	134	15300	43300
0.18	0.75	1850	3.1	1912	BF70G20-../DHE06LA4	212	16100	47700
0.18	0.6	2350	2.4	2448	BF70G20-../DHE06LA4	212	16100	47700
0.18	0.49	3000	1.9	2849	BF70G20-../DHE06LA4	212	16100	47700
0.18	0.41	3700	1.55	3417	BF70G20-../DHE06LA4	212	16100	47700
0.18	0.34	4550	1.25	4090	BF70G20-../DHE06LA4	212	16100	47700
0.18	0.31	5000	1.15	4542	BF70G20-../DHE06LA4	212	16100	47700

7

0.25 kW



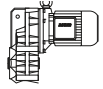
P _N [kW]	n ₂ [1/min]	50 Hz		i [:1]	Type	m		
		M ₂ [Nm]	f _B [—]			[kg]	[N]	[N]
0.25	180	13.2	5.2	7.66	BF06-../DHE07LA4	14	1800	-
0.25	150	15.9	4.4	9.21	BF06-../DHE07LA4	14	1900	-
0.25	114	20.5	3.7	12.07	BF06-../DHE07LA4	14	2000	-
0.25	97	24.5	3.5	14.21	BF06-../DHE07LA4	14	2100	-
0.25	81	29	3.3	16.99	BF06-../DHE07LA4	14	2500	-
0.25	68	35	2.7	20.42	BF06-../DHE07LA4	14	2700	-
0.25	52	45.5	2.1	26.76	BF06-../DHE07LA4	14	3000	-
0.25	44	54	1.75	31.50	BF06-../DHE07LA4	14	3200	-
0.25	36.5	65	1.45	37.69	BF06-../DHE07LA4	14	3500	-
0.25	30	79	1.2	46.14	BF06-../DHE07LA4	14	3800	-
0.25	24	99	0.96	58.33	BF06-../DHE07LA4	14	4000	-
0.25	21	113	0.84	66.82	BF06-../DHE07LA4	14	4000	-
0.25	32	74	3.2	43.06	BF10-../DHE07LA4	26	4100	-
0.25	29.5	80	3.0	47.35	BF10-../DHE07LA4	26	4250	-
0.25	27	88	2.7	51.28	BF10-../DHE07LA4	26	4400	-
0.25	24.5	97	2.5	56.39	BF10-../DHE07LA4	26	4550	-
0.25	22.5	106	2.3	61.55	BF10-../DHE07LA4	26	4700	-
0.25	20.5	116	2.1	67.69	BF10-../DHE07LA4	26	4900	-
0.25	18	132	1.8	77.55	BF10-../DHE07LA4	26	5100	-
0.25	16.5	144	1.65	85.27	BF10-../DHE07LA4	26	5300	-
0.25	15.5	154	1.55	90.91	BF10-../DHE07LA4	26	5400	-
0.25	14	170	1.4	99.97	BF10-../DHE07LA4	26	5600	-
0.25	12.5	191	1.25	112.3	BF10-../DHE07LA4	26	5900	-
0.25	11.5	205	1.15	123.5	BF10-../DHE07LA4	26	6100	-
0.25	11	215	1.1	128.9	BF10-../DHE07LA4	26	6200	-
0.25	9.7	245	0.98	141.8	BF10-../DHE07LA4	26	6400	-
0.25	9.1	260	0.92	151.2	BF10Z-../DHE07LA4	27	6400	-
0.25	8.3	285	0.84	166.2	BF10Z-../DHE07LA4	27	6400	-
0.25	18	132	3.2	76.69	BF20-../DHE07LA4	32	6300	-
0.25	16	149	2.8	87.31	BF20-../DHE07LA4	32	6600	-
0.25	14	170	2.5	100.2	BF20-../DHE07LA4	32	7000	-
0.25	12.5	191	2.2	110.2	BF20-../DHE07LA4	32	7300	-
0.25	11.5	205	2.0	123.5	BF20-../DHE07LA4	32	7600	-
0.25	10.5	225	1.85	135.9	BF20-../DHE07LA4	32	7900	-
0.25	9.8	240	1.75	141.2	BF20Z-../DHE07LA4	34	7900	-
0.25	8.9	265	1.6	155.4	BF20Z-../DHE07LA4	34	7900	-
0.25	8.4	280	1.5	164.3	BF20Z-../DHE07LA4	34	7900	-
0.25	7.7	310	1.35	180.8	BF20Z-../DHE07LA4	34	7900	-
0.25	7.0	340	1.25	197.1	BF20Z-../DHE07LA4	34	7900	-
0.25	6.4	370	1.15	216.9	BF20Z-../DHE07LA4	34	7900	-

The torques marked (*) are maximum permissible torques for service factor f_B=1.0.

BF-series shaft-mounted geared motors

Selection - shaft-mounted geared motors

0.25 kW



P _N [kW]	n ₂ [1/min]	50 Hz		i [:1]	Type	m [kg]	[N]	[N]
		M ₂ [Nm]	f _B [-]					
0.25	5.9	400	1.05	235.9	BF20Z-../DHE07LA4	34	7900	-
0.25	5.3	450	0.93	259.6	BF20Z-../DHE07LA4	34	7900	-
0.25	4.7	500	0.84	295.5	BF20Z-../DHE07LA4	34	7900	-
0.25	13	183	3.1	107.6	BF30-../DHE07LA4	42	6700	-
0.25	12	198	2.9	118.3	BF30-../DHE07LA4	42	7000	-
0.25	11.5	205	2.8	124.7	BF30-../DHE07LA4	42	7100	-
0.25	10.5	225	2.6	137.1	BF30-../DHE07LA4	42	7400	-
0.25	9.2	255	2.3	150.7	BF30Z-../DHE07LA4	45	7400	-
0.25	8.3	285	2.0	165.8	BF30Z-../DHE07LA4	45	7400	-
0.25	7.8	305	1.9	176.6	BF30Z-../DHE07LA4	45	7400	-
0.25	7.1	335	1.7	194.3	BF30Z-../DHE07LA4	45	7400	-
0.25	6.2	385	1.5	224.8	BF30Z-../DHE07LA4	45	7400	-
0.25	5.6	425	1.35	247.3	BF30Z-../DHE07LA4	45	7400	-
0.25	5.3	450	1.3	263.5	BF30Z-../DHE07LA4	45	7400	-
0.25	4.8	495	1.15	289.8	BF30Z-../DHE07LA4	45	7400	-
0.25	4.5	530	1.1	310.7	BF30Z-../DHE07LA4	45	7400	-
0.25	4.1	580	0.99	341.8	BF30Z-../DHE07LA4	45	7400	-
0.25	3.7	640	0.9	375.1	BF30Z-../DHE07LA4	45	7400	-
0.25	3.4	700	0.82	412.6	BF30Z-../DHE07LA4	45	7400	-
0.25	8.1	290	3.1	171.2	BF40Z-../DHE07LA4	55	10600	-
0.25	7.4	320	2.8	188.3	BF40Z-../DHE07LA4	55	10600	-
0.25	6.9	345	2.6	202.2	BF40Z-../DHE07LA4	55	10600	-
0.25	6.2	385	2.3	222.4	BF40Z-../DHE07LA4	55	10600	-
0.25	5.5	430	2.1	253.2	BF40Z-../DHE07LA4	55	10600	-
0.25	5.0	475	1.9	278.5	BF40Z-../DHE07LA4	55	10600	-
0.25	4.7	500	1.8	295.1	BF40Z-../DHE07LA4	55	10600	-
0.25	4.3	550	1.65	324.7	BF40Z-../DHE07LA4	55	10600	-
0.25	4.0	590	1.55	346.8	BF40Z-../DHE07LA4	55	10600	-
0.25	3.7	640	1.4	381.5	BF40Z-../DHE07LA4	55	10600	-
0.25	3.3	720	1.25	417.3	BF40Z-../DHE07LA4	55	10600	-
0.25	3.0	790	1.15	459.1	BF40Z-../DHE07LA4	55	10600	-
0.25	2.7	880	1.0	514.6	BF40Z-../DHE07LA4	55	10600	-
0.25	2.5	950	0.95	566.1	BF40Z-../DHE07LA4	55	10600	-
0.25	2.4	800	1.25	597.3	BF40G10-../DHE07LA4	61	10600	-
0.25	1.9	1050	0.95	731.6	BF40G10-../DHE07LA4	61	10600	-
0.25	5.6	425	3.1	247.5	BF50Z-../DHE07LA4	85	13600	-
0.25	5.0	475	2.7	276.8	BF50Z-../DHE07LA4	85	13600	-
0.25	4.4	540	2.4	316.6	BF50Z-../DHE07LA4	85	13600	-
0.25	3.9	610	2.1	354.0	BF50Z-../DHE07LA4	85	13600	-
0.25	3.6	660	1.95	392.8	BF50Z-../DHE07LA4	85	13600	-
0.25	3.2	740	1.75	439.3	BF50Z-../DHE07LA4	85	13600	-
0.25	2.8	850	1.55	496.4	BF50Z-../DHE07LA4	85	13600	-
0.25	2.5	950	1.35	555.2	BF50Z-../DHE07LA4	85	13600	-
0.25	2.1	940	1.5	680.9	BF50G10-../DHE07LA4	89	13600	-
0.25	1.6	1280	1.1	864.5	BF50G10-../DHE07LA4	89	13600	-
0.25	1.4	1480	0.95	1029	BF50G10-../DHE07LA4	89	13600	-
0.25	2.0	900	2.8	689.0	BF60G20-../DHE07LA4	136	15300	43300
0.25	1.7	1090	2.3	813.2	BF60G20-../DHE07LA4	136	15300	43300
0.25	1.5	1310	1.9	937.6	BF60G20-../DHE07LA4	136	15300	43300
0.25	1.2	1680	1.5	1211	BF60G20-../DHE07LA4	136	15300	43300
0.25	0.95	2100	1.2	1494	BF60G20-../DHE07LA4	136	15300	43300
0.25	0.85	2350	1.05	1658	BF60G20-../DHE07LA4	136	15300	43300
0.25	1.0	2000	2.9	1390	BF70G20-../DHE07LA4	215	16100	47700
0.25	0.85	2350	2.4	1621	BF70G20-../DHE07LA4	215	16100	47700
0.25	0.75	2700	2.1	1912	BF70G20-../DHE07LA4	215	16100	47700
0.25	0.6	3500	1.65	2448	BF70G20-../DHE07LA4	215	16100	47700
0.25	0.49	4350	1.3	2849	BF70G20-../DHE07LA4	215	16100	47700
0.25	0.41	5300	1.1	3417	BF70G20-../DHE07LA4	215	16100	47700

The torques marked (*) are maximum permissible torques for service factor f_B=1.0.

7

BF-series shaft-mounted geared motors

Selection - shaft-mounted geared motors

0.3 kW



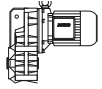
P _N [kW]	n ₂ [1/min]	50 Hz		i [:1]	Type	m [kg]	[N]	[N]
		M ₂ [Nm]	f _B [-]					
0.3	178	16	4.3	7.66	BF06-../DHE07LA4	14	1800	-
0.3	148	19.3	3.6	9.21	BF06-../DHE07LA4	14	1900	-
0.3	113	25	3.0	12.07	BF06-../DHE07LA4	14	2000	-
0.3	96	29.5	2.9	14.21	BF06-../DHE07LA4	14	2100	-
0.3	81	35	2.7	16.99	BF06-../DHE07LA4	14	2500	-
0.3	67	42.5	2.2	20.42	BF06-../DHE07LA4	14	2700	-
0.3	51	56	1.7	26.76	BF06-../DHE07LA4	14	3000	-
0.3	43.5	65	1.45	31.50	BF06-../DHE07LA4	14	3200	-
0.3	36.5	78	1.2	37.69	BF06-../DHE07LA4	14	3500	-
0.3	29.5	97	0.98	46.14	BF06-../DHE07LA4	14	3800	-
0.3	38	75	3.2	36.15	BF10-../DHE07LA4	26	3800	-
0.3	34.5	83	2.9	39.75	BF10-../DHE07LA4	26	3950	-
0.3	32	89	2.7	43.06	BF10-../DHE07LA4	26	4100	-
0.3	29	98	2.4	47.35	BF10-../DHE07LA4	26	4250	-
0.3	27	106	2.3	51.28	BF10-../DHE07LA4	26	4400	-
0.3	24.5	116	2.1	56.39	BF10-../DHE07LA4	26	4550	-
0.3	22.5	127	1.9	61.55	BF10-../DHE07LA4	26	4700	-
0.3	20.5	139	1.75	67.69	BF10-../DHE07LA4	26	4900	-
0.3	18	159	1.5	77.55	BF10-../DHE07LA4	26	5100	-
0.3	16	179	1.35	85.27	BF10-../DHE07LA4	26	5300	-
0.3	15	191	1.25	90.91	BF10-../DHE07LA4	26	5400	-
0.3	14	200	1.2	99.97	BF10-../DHE07LA4	26	5600	-
0.3	12.5	225	1.05	112.3	BF10-../DHE07LA4	26	5900	-
0.3	11.5	245	0.98	123.5	BF10-../DHE07LA4	26	6100	-
0.3	11	260	0.92	128.9	BF10-../DHE07LA4	26	6200	-
0.3	9.6	295	0.81	141.8	BF10-../DHE07LA4	26	6400	-
0.3	21.5	133	3.2	64.08	BF20-../DHE07LA4	32	5900	-
0.3	20	143	2.9	69.70	BF20-../DHE07LA4	32	6100	-
0.3	18	159	2.6	76.69	BF20-../DHE07LA4	32	6300	-
0.3	16	179	2.3	87.31	BF20-../DHE07LA4	32	6600	-
0.3	14	200	2.1	100.2	BF20-../DHE07LA4	32	7000	-
0.3	12.5	225	1.85	110.2	BF20-../DHE07LA4	32	7300	-
0.3	11.5	245	1.7	123.5	BF20-../DHE07LA4	32	7600	-
0.3	10.5	270	1.55	135.9	BF20-../DHE07LA4	32	7900	-
0.3	9.7	295	1.4	141.2	BF20Z-../DHE07LA4	34	7900	-
0.3	8.8	325	1.3	155.4	BF20Z-../DHE07LA4	34	7900	-
0.3	8.3	345	1.2	164.3	BF20Z-../DHE07LA4	34	7900	-
0.3	7.6	375	1.1	180.8	BF20Z-../DHE07LA4	34	7900	-
0.3	7.0	405	1.05	197.1	BF20Z-../DHE07LA4	34	7900	-
0.3	6.3	450	0.93	216.9	BF20Z-../DHE07LA4	34	7900	-
0.3	5.8	490	0.86	235.9	BF20Z-../DHE07LA4	34	7900	-
0.3	16	179	3.2	87.08	BF30-../DHE07LA4	42	6200	-
0.3	14.5	197	2.9	95.79	BF30-../DHE07LA4	42	6400	-
0.3	13	220	2.6	107.6	BF30-../DHE07LA4	42	6700	-
0.3	11.5	245	2.3	118.3	BF30-../DHE07LA4	42	7000	-
0.3	11	260	2.2	124.7	BF30-../DHE07LA4	42	7100	-
0.3	10	285	2.0	137.1	BF30-../DHE07LA4	42	7400	-
0.3	9.1	310	1.85	150.7	BF30Z-../DHE07LA4	45	7400	-
0.3	8.3	345	1.65	165.8	BF30Z-../DHE07LA4	45	7400	-
0.3	7.8	365	1.6	176.6	BF30Z-../DHE07LA4	45	7400	-
0.3	7.0	405	1.4	194.3	BF30Z-../DHE07LA4	45	7400	-
0.3	6.1	465	1.25	224.8	BF30Z-../DHE07LA4	45	7400	-
0.3	5.5	520	1.1	247.3	BF30Z-../DHE07LA4	45	7400	-
0.3	5.2	550	1.05	263.5	BF30Z-../DHE07LA4	45	7400	-
0.3	4.7	600	0.96	289.8	BF30Z-../DHE07LA4	45	7400	-
0.3	4.4	650	0.88	310.7	BF30Z-../DHE07LA4	45	7400	-
0.3	4.0	710	0.81	341.8	BF30Z-../DHE07LA4	45	7400	-
0.3	9.7	295	3.1	141.4	BF40Z-../DHE07LA4	55	10600	-
0.3	8.8	325	2.8	155.6	BF40Z-../DHE07LA4	55	10600	-
0.3	8.0	355	2.5	171.2	BF40Z-../DHE07LA4	55	10600	-
0.3	7.3	390	2.3	188.3	BF40Z-../DHE07LA4	55	10600	-
0.3	6.8	420	2.1	202.2	BF40Z-../DHE07LA4	55	10600	-
0.3	6.2	460	1.95	222.4	BF40Z-../DHE07LA4	55	10600	-
0.3	5.4	530	1.7	253.2	BF40Z-../DHE07LA4	55	10600	-
0.3	4.9	580	1.55	278.5	BF40Z-../DHE07LA4	55	10600	-
0.3	4.7	600	1.5	295.1	BF40Z-../DHE07LA4	55	10600	-

The torques marked (*) are maximum permissible torques for service factor f_B=1.0.

BF-series shaft-mounted geared motors

Selection - shaft-mounted geared motors

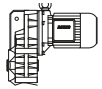
0.3 kW



P _N [kW]	n ₂ [1/min]	50 Hz		i [:1]	Type	m		
		M ₂ [Nm]	f _B [-]			[kg]	[N]	[N]
0.3	4.2	680	1.3	324.7	BF40Z-../DHE07LA4	55	10600	-
0.3	4.0	710	1.25	346.8	BF40Z-../DHE07LA4	55	10600	-
0.3	3.6	790	1.15	381.5	BF40Z-../DHE07LA4	55	10600	-
0.3	3.3	860	1.05	417.3	BF40Z-../DHE07LA4	55	10600	-
0.3	3.0	950	0.95	459.1	BF40Z-../DHE07LA4	55	10600	-
0.3	2.7	1060	0.85	514.6	BF40Z-../DHE07LA4	55	10600	-
0.3	2.3	1050	0.95	597.3	BF40G10-../DHE07LA4	61	10600	-
0.3	6.7	425	3.1	205.2	BF50Z-../DHE07LA4	85	13600	-
0.3	5.5	520	2.5	247.5	BF50Z-../DHE07LA4	85	13600	-
0.3	5.0	570	2.3	276.8	BF50Z-../DHE07LA4	85	13600	-
0.3	4.3	660	1.95	316.6	BF50Z-../DHE07LA4	85	13600	-
0.3	3.9	730	1.8	354.0	BF50Z-../DHE07LA4	85	13600	-
0.3	3.5	810	1.6	392.8	BF50Z-../DHE07LA4	85	13600	-
0.3	3.1	920	1.4	439.3	BF50Z-../DHE07LA4	85	13600	-
0.3	2.8	1020	1.25	496.4	BF50Z-../DHE07LA4	85	13600	-
0.3	2.5	1140	1.15	555.2	BF50Z-../DHE07LA4	85	13600	-
0.3	2.0	1240	1.15	680.9	BF50G10-../DHE07LA4	89	13600	-
0.3	1.6	1580	0.89	864.5	BF50G10-../DHE07LA4	89	13600	-
0.3	2.4	950	2.6	569.3	BF60G20-../DHE07LA4	136	15300	43300
0.3	2.0	1140	2.2	689.0	BF60G20-../DHE07LA4	136	15300	43300
0.3	1.7	1370	1.8	813.2	BF60G20-../DHE07LA4	136	15300	43300
0.3	1.5	1630	1.55	937.6	BF60G20-../DHE07LA4	136	15300	43300
0.3	1.2	2050	1.2	1211	BF60G20-../DHE07LA4	136	15300	43300
0.3	1.4	1740	3.3	1017	BF70G20-../DHE07LA4	215	16100	47700
0.3	1.0	2500	2.3	1390	BF70G20-../DHE07LA4	215	16100	47700
0.3	0.85	2950	1.95	1621	BF70G20-../DHE07LA4	215	16100	47700
0.3	0.75	3350	1.7	1912	BF70G20-../DHE07LA4	215	16100	47700
0.3	0.6	4250	1.35	2448	BF70G20-../DHE07LA4	215	16100	47700
0.3	0.48	5400	1.05	2849	BF70G20-../DHE07LA4	215	16100	47700

7

0.37 kW



P _N [kW]	n ₂ [1/min]	50 Hz		i [:1]	Type	m		
		M ₂ [Nm]	f _B [-]			[kg]	[N]	[N]
0.37	250	14.1	4.4	5.72	BF06-../DHE08MA4	16	1600	-
0.37	187	18.8	3.6	7.66	BF06-../DHE08MA4	16	1800	-
0.37	156	22.5	3.1	9.21	BF06-../DHE08MA4	16	1900	-
0.37	119	29.5	2.5	12.07	BF06-../DHE08MA4	16	2000	-
0.37	101	34.5	2.5	14.21	BF06-../DHE08MA4	16	2100	-
0.37	85	41.5	2.3	16.99	BF06-../DHE08MA4	16	2500	-
0.37	71	49.5	1.9	20.42	BF06-../DHE08MA4	16	2700	-
0.37	54	65	1.45	26.76	BF06-../DHE08MA4	16	3000	-
0.37	45.5	77	1.25	31.50	BF06-../DHE08MA4	16	3200	-
0.37	38	92	1.05	37.69	BF06-../DHE08MA4	16	3500	-
0.37	31	113	0.84	46.14	BF06-../DHE08MA4	16	3800	-
0.37	46	76	3.2	31.31	BF10-../DHE08MA4	27	3600	-
0.37	40	88	2.7	36.15	BF10-../DHE08MA4	27	3800	-
0.37	36	98	2.4	39.75	BF10-../DHE08MA4	27	3950	-
0.37	33.5	105	2.3	43.06	BF10-../DHE08MA4	27	4100	-
0.37	30.5	115	2.1	47.35	BF10-../DHE08MA4	27	4250	-
0.37	28	126	1.9	51.28	BF10-../DHE08MA4	27	4400	-
0.37	25.5	138	1.75	56.39	BF10-../DHE08MA4	27	4550	-
0.37	23.5	150	1.6	61.55	BF10-../DHE08MA4	27	4700	-
0.37	21.5	164	1.45	67.69	BF10-../DHE08MA4	27	4900	-
0.37	18.5	191	1.25	77.55	BF10-../DHE08MA4	27	5100	-
0.37	17	205	1.15	85.27	BF10-../DHE08MA4	27	5300	-
0.37	16	220	1.1	90.91	BF10-../DHE08MA4	27	5400	-
0.37	14.5	240	1.0	99.97	BF10-../DHE08MA4	27	5600	-
0.37	13	270	0.89	112.3	BF10-../DHE08MA4	27	5900	-
0.37	12	290	0.83	123.5	BF10-../DHE08MA4	27	6100	-

The torques marked (*) are maximum permissible torques for service factor f_B=1.0.

BF-series shaft-mounted geared motors

Selection - shaft-mounted geared motors

0.37 kW



P _N [kW]	n ₂ [1/min]	50 Hz		i [:1]	Type	m [kg]	[N]	[N]
		M ₂ [Nm]	f _B [-]					
0.37	27	130	3.2	53.43	BF20-../DHE08MA4	33	5500	-
0.37	25	141	3.0	58.24	BF20-../DHE08MA4	33	5600	-
0.37	22.5	157	2.7	64.08	BF20-../DHE08MA4	33	5900	-
0.37	21	168	2.5	69.70	BF20-../DHE08MA4	33	6100	-
0.37	19	185	2.3	76.69	BF20-../DHE08MA4	33	6300	-
0.37	16.5	210	2.0	87.31	BF20-../DHE08MA4	33	6600	-
0.37	14.5	240	1.75	100.2	BF20-../DHE08MA4	33	7000	-
0.37	13	270	1.55	110.2	BF20-../DHE08MA4	33	7300	-
0.37	12	290	1.45	123.5	BF20-../DHE08MA4	33	7600	-
0.37	11	320	1.3	135.9	BF20-../DHE08MA4	33	7900	-
0.37	10.5	335	1.25	141.2	BF20Z-../DHE08MA4	35	7900	-
0.37	9.3	375	1.1	155.4	BF20Z-../DHE08MA4	35	7900	-
0.37	8.8	400	1.05	164.3	BF20Z-../DHE08MA4	35	7900	-
0.37	8.0	440	0.95	180.8	BF20Z-../DHE08MA4	35	7900	-
0.37	7.3	480	0.88	197.1	BF20Z-../DHE08MA4	35	7900	-
0.37	20	176	3.3	72.13	BF30-../DHE08MA4	43	5700	-
0.37	18.5	191	3.0	79.34	BF30-../DHE08MA4	43	5900	-
0.37	16.5	210	2.7	87.08	BF30-../DHE08MA4	43	6200	-
0.37	15	235	2.4	95.79	BF30-../DHE08MA4	43	6400	-
0.37	13.5	260	2.2	107.6	BF30-../DHE08MA4	43	6700	-
0.37	12.5	280	2.1	118.3	BF30-../DHE08MA4	43	7000	-
0.37	11.5	305	1.9	124.7	BF30-../DHE08MA4	43	7100	-
0.37	10.5	335	1.7	137.1	BF30-../DHE08MA4	43	7400	-
0.37	9.5	370	1.55	150.7	BF30Z-../DHE08MA4	46	7400	-
0.37	8.7	405	1.4	165.8	BF30Z-../DHE08MA4	46	7400	-
0.37	8.1	435	1.3	176.6	BF30Z-../DHE08MA4	46	7400	-
0.37	7.4	475	1.2	194.3	BF30Z-../DHE08MA4	46	7400	-
0.37	6.4	550	1.05	224.8	BF30Z-../DHE08MA4	46	7400	-
0.37	5.8	600	0.96	247.3	BF30Z-../DHE08MA4	46	7400	-
0.37	5.5	640	0.9	263.5	BF30Z-../DHE08MA4	46	7400	-
0.37	5.0	700	0.82	289.8	BF30Z-../DHE08MA4	46	7400	-
0.37	13	270	3.3	111.1	BF40-../DHE08MA4	53	9800	-
0.37	11.5	305	3.0	124.5	BF40-../DHE08MA4	53	10200	-
0.37	10.5	335	2.7	137.0	BF40-../DHE08MA4	53	10600	-
0.37	9.2	380	2.4	155.6	BF40Z-../DHE08MA4	56	10600	-
0.37	8.4	420	2.1	171.2	BF40Z-../DHE08MA4	56	10600	-
0.37	7.6	460	1.95	188.3	BF40Z-../DHE08MA4	56	10600	-
0.37	7.1	495	1.8	202.2	BF40Z-../DHE08MA4	56	10600	-
0.37	6.5	540	1.65	222.4	BF40Z-../DHE08MA4	56	10600	-
0.37	5.7	610	1.5	253.2	BF40Z-../DHE08MA4	56	10600	-
0.37	5.2	670	1.35	278.5	BF40Z-../DHE08MA4	56	10600	-
0.37	4.9	720	1.25	295.1	BF40Z-../DHE08MA4	56	10600	-
0.37	4.5	780	1.15	324.7	BF40Z-../DHE08MA4	56	10600	-
0.37	4.2	840	1.05	346.8	BF40Z-../DHE08MA4	56	10600	-
0.37	3.8	920	0.98	381.5	BF40Z-../DHE08MA4	56	10600	-
0.37	3.5	1000	0.9	417.3	BF40Z-../DHE08MA4	56	10600	-
0.37	3.2	1100	0.82	459.1	BF40Z-../DHE08MA4	56	10600	-
0.37	7.8	450	2.9	183.5	BF50Z-../DHE08MA4	86	13600	-
0.37	7.0	500	2.6	205.2	BF50Z-../DHE08MA4	86	13600	-
0.37	5.8	600	2.2	247.5	BF50Z-../DHE08MA4	86	13600	-
0.37	5.2	670	1.95	276.8	BF50Z-../DHE08MA4	86	13600	-
0.37	4.6	760	1.7	316.6	BF50Z-../DHE08MA4	86	13600	-
0.37	4.1	860	1.5	354.0	BF50Z-../DHE08MA4	86	13600	-
0.37	3.7	950	1.35	392.8	BF50Z-../DHE08MA4	86	13600	-
0.37	3.3	1070	1.2	439.3	BF50Z-../DHE08MA4	86	13600	-
0.37	2.9	1210	1.05	496.4	BF50Z-../DHE08MA4	86	13600	-
0.37	2.6	1350	0.96	555.2	BF50Z-../DHE08MA4	86	13600	-
0.37	2.2	1410	0.99	680.9	BF50G10-../DHE08MA4	90	13600	-
0.37	4.9	720	3.2	293.4	BF60Z-../DHE08MA4	130	15300	43300
0.37	4.4	800	2.9	325.6	BF60Z-../DHE08MA4	130	15300	43300
0.37	3.8	920	2.5	380.0	BF60Z-../DHE08MA4	130	15300	43300
0.37	3.4	1030	2.2	421.6	BF60Z-../DHE08MA4	130	15300	43300
0.37	3.2	1100	2.1	459.9	BF60Z-../DHE08MA4	130	15300	43300
0.37	2.9	1210	1.9	510.3	BF60Z-../DHE08MA4	130	15300	43300
0.37	2.6	1120	2.2	569.3	BF60G20-../DHE08MA4	137	15300	43300
0.37	2.1	1390	1.8	689.0	BF60G20-../DHE08MA4	137	15300	43300

The torques marked (*) are maximum permissible torques for service factor f_B=1.0.

BF-series shaft-mounted geared motors

Selection - shaft-mounted geared motors

0.37 kW



P _N [kW]	n ₂ [1/min]	50 Hz		i [:1]	Type	m		
		M ₂ [Nm]	f _B [—]			[kg]	[N]	[N]
0.37	1.8	1650	1.5	813.2	BF60G20-../DHE08MA4	137	15300	43300
0.37	1.6	1930	1.3	937.6	BF60G20-../DHE08MA4	137	15300	43300
0.37	1.2	2600	0.96	1211	BF60G20-../DHE08MA4	137	15300	43300
0.37	1.7	1820	3.1	872.1	BF70G20-../DHE08MA4	216	16100	47700
0.37	1.5	2050	2.8	1017	BF70G20-../DHE08MA4	216	16100	47700
0.37	1.1	2850	2.0	1390	BF70G20-../DHE08MA4	216	16100	47700
0.37	0.9	3500	1.65	1621	BF70G20-../DHE08MA4	216	16100	47700
0.37	0.75	4250	1.35	1912	BF70G20-../DHE08MA4	216	16100	47700
0.37	0.6	5400	1.05	2448	BF70G20-../DHE08MA4	216	16100	47700
0.37	0.7	3450	3.0	2051	BF80G40-../DHE08MA4	340	39600	75000
0.37	0.6	4300	2.4	2422	BF80G40-../DHE08MA4	340	39600	75000
0.37	0.55	4400	2.4	2785	BF80G40-../DHE08MA4	340	39600	75000
0.37	0.47	5400	1.95	3092	BF80G40-../DHE08MA4	340	39600	75000
0.37	0.42	6200	1.7	3461	BF80G40-../DHE08MA4	340	39600	75000
0.37	0.38	7000	1.5	3843	BF80G40-../DHE08MA4	340	39600	75000
0.37	0.33	8400	1.25	4411	BF80G40-../DHE08MA4	340	39600	75000
0.37	0.3	9400	1.1	4895	BF80G40-../DHE08MA4	340	39600	75000
0.37	0.4	6300	2.9	3644	BF90G50-../DHE08MA4	610	42800	120000
0.37	0.33	8200	2.3	4366	BF90G50-../DHE08MA4	610	42800	120000
0.37	0.3	9200	2.0	4839	BF90G50-../DHE08MA4	610	42800	120000
0.37	0.25	11600	1.6	5888	BF90G50-../DHE08MA4	610	42800	120000
0.37	0.22	13500	1.35	6529	BF90G50-../DHE08MA4	610	42800	120000
0.37	0.19	16000	1.15	7533	BF90G50-../DHE08MA4	610	42800	120000
0.37	0.18	17100	1.1	8350	BF90G50-../DHE08MA4	610	42800	120000

7

0.55 kW



P _N [kW]	n ₂ [1/min]	50 Hz		i [:1]	Type	m		
		M ₂ [Nm]	f _B [—]			[kg]	[N]	[N]
0.55	250	21	3.0	5.72	BF06-../DHE08LA4	17	1600	-
0.55	185	28	2.4	7.66	BF06-../DHE08LA4	17	1800	-
0.55	154	34	2.1	9.21	BF06-../DHE08LA4	17	1900	-
0.55	118	44.5	1.7	12.07	BF06-../DHE08LA4	17	2000	-
0.55	100	52	1.65	14.21	BF06-../DHE08LA4	17	2100	-
0.55	84	62	1.55	16.99	BF06-../DHE08LA4	17	2500	-
0.55	70	75	1.25	20.42	BF06-../DHE08LA4	17	2700	-
0.55	53	99	0.96	26.76	BF06-../DHE08LA4	17	3000	-
0.55	45	116	0.82	31.50	BF06-../DHE08LA4	17	3200	-
0.55	95	55	3.3	15.04	BF10-../DHE08LA4	28	2800	-
0.55	71	73	3.3	20.05	BF10-../DHE08LA4	28	3000	-
0.55	61	86	2.8	23.28	BF10-../DHE08LA4	28	3200	-
0.55	56	93	2.6	25.60	BF10-../DHE08LA4	28	3350	-
0.55	50	105	2.3	28.47	BF10-../DHE08LA4	28	3450	-
0.55	45.5	115	2.1	31.31	BF10-../DHE08LA4	28	3600	-
0.55	39.5	132	1.8	36.15	BF10-../DHE08LA4	28	3800	-
0.55	36	145	1.65	39.75	BF10-../DHE08LA4	28	3950	-
0.55	33	159	1.5	43.06	BF10-../DHE08LA4	28	4100	-
0.55	30	175	1.35	47.35	BF10-../DHE08LA4	28	4250	-
0.55	28	187	1.3	51.28	BF10-../DHE08LA4	28	4400	-
0.55	25.5	205	1.15	56.39	BF10-../DHE08LA4	28	4550	-
0.55	23	225	1.05	61.55	BF10-../DHE08LA4	28	4700	-
0.55	21	250	0.96	67.69	BF10-../DHE08LA4	28	4900	-
0.55	18.5	280	0.86	77.55	BF10-../DHE08LA4	28	5100	-
0.55	39.5	132	3.2	35.85	BF20-../DHE08LA4	35	4650	-
0.55	34	154	2.7	41.72	BF20-../DHE08LA4	35	4950	-
0.55	31	169	2.5	45.90	BF20-../DHE08LA4	35	5100	-
0.55	29.5	178	2.4	48.56	BF20-../DHE08LA4	35	5200	-
0.55	26.5	198	2.1	53.43	BF20-../DHE08LA4	35	5500	-
0.55	24.5	210	2.0	58.24	BF20-../DHE08LA4	35	5600	-
0.55	22.5	230	1.85	64.08	BF20-../DHE08LA4	35	5900	-

The torques marked (*) are maximum permissible torques for service factor f_B=1.0.

BF-series shaft-mounted geared motors

Selection - shaft-mounted geared motors

0.55 kW



P _N [kW]	n ₂ [1/min]	50 Hz		i [:1]	Type	m [kg]	[N]	[N]
		M ₂ [Nm]	f _B [-]					
0.55	20.5	255	1.65	69.70	BF20-../DHE08LA4	35	6100	-
0.55	18.5	280	1.5	76.69	BF20-../DHE08LA4	35	6300	-
0.55	16.5	315	1.35	87.31	BF20-../DHE08LA4	35	6600	-
0.55	14.5	360	1.15	100.2	BF20-../DHE08LA4	35	7000	-
0.55	13	400	1.05	110.2	BF20-../DHE08LA4	35	7300	-
0.55	11.5	455	0.92	123.5	BF20-../DHE08LA4	35	7600	-
0.55	10.5	500	0.84	135.9	BF20-../DHE08LA4	35	7900	-
0.55	27.5	191	3.0	52.20	BF30-../DHE08LA4	45	5000	-
0.55	25	210	2.7	57.41	BF30-../DHE08LA4	45	5200	-
0.55	23.5	220	2.6	61.17	BF30-../DHE08LA4	45	5300	-
0.55	21.5	240	2.4	67.28	BF30-../DHE08LA4	45	5500	-
0.55	20	260	2.2	72.13	BF30-../DHE08LA4	45	5700	-
0.55	18	290	2.0	79.34	BF30-../DHE08LA4	45	5900	-
0.55	16.5	315	1.85	87.08	BF30-../DHE08LA4	45	6200	-
0.55	15	350	1.65	95.79	BF30-../DHE08LA4	45	6400	-
0.55	13.5	385	1.5	107.6	BF30-../DHE08LA4	45	6700	-
0.55	12	435	1.3	118.3	BF30-../DHE08LA4	45	7000	-
0.55	11.5	455	1.25	124.7	BF30-../DHE08LA4	45	7100	-
0.55	10.5	500	1.15	137.1	BF30-../DHE08LA4	45	7400	-
0.55	9.4	550	1.05	150.7	BF30Z-../DHE08LA4	48	7400	-
0.55	8.6	610	0.94	165.8	BF30Z-../DHE08LA4	48	7400	-
0.55	8.1	640	0.9	176.6	BF30Z-../DHE08LA4	48	7400	-
0.55	7.3	710	0.81	194.3	BF30Z-../DHE08LA4	48	7400	-
0.55	18.5	280	3.2	78.55	BF40-../DHE08LA4	54	8500	-
0.55	17	305	3.0	83.91	BF40-../DHE08LA4	54	8700	-
0.55	15.5	335	2.7	92.31	BF40-../DHE08LA4	54	9100	-
0.55	14.5	360	2.5	101.0	BF40-../DHE08LA4	54	9400	-
0.55	13	400	2.3	111.1	BF40-../DHE08LA4	54	9800	-
0.55	11.5	455	2.0	124.5	BF40-../DHE08LA4	54	10200	-
0.55	10.5	500	1.8	137.0	BF40-../DHE08LA4	54	10600	-
0.55	9.1	570	1.6	155.6	BF40Z-../DHE08LA4	58	10600	-
0.55	8.3	630	1.45	171.2	BF40Z-../DHE08LA4	58	10600	-
0.55	7.6	690	1.3	188.3	BF40Z-../DHE08LA4	58	10600	-
0.55	7.0	750	1.2	202.2	BF40Z-../DHE08LA4	58	10600	-
0.55	6.4	820	1.1	222.4	BF40Z-../DHE08LA4	58	10600	-
0.55	5.6	930	0.97	253.2	BF40Z-../DHE08LA4	58	10600	-
0.55	5.1	1020	0.88	278.5	BF40Z-../DHE08LA4	58	10600	-
0.55	4.8	1090	0.83	295.1	BF40Z-../DHE08LA4	58	10600	-
0.55	12.5	420	3.1	114.0	BF50-../DHE08LA4	83	12900	-
0.55	11.5	455	2.9	127.5	BF50-../DHE08LA4	83	13600	-
0.55	10.5	500	2.6	138.1	BF50Z-../DHE08LA4	88	13600	-
0.55	9.2	570	2.3	154.5	BF50Z-../DHE08LA4	88	13600	-
0.55	7.8	670	1.95	183.5	BF50Z-../DHE08LA4	88	13600	-
0.55	6.9	760	1.7	205.2	BF50Z-../DHE08LA4	88	13600	-
0.55	5.8	900	1.45	247.5	BF50Z-../DHE08LA4	88	13600	-
0.55	5.2	1010	1.3	276.8	BF50Z-../DHE08LA4	88	13600	-
0.55	4.5	1160	1.1	316.6	BF50Z-../DHE08LA4	88	13600	-
0.55	4.0	1310	0.99	354.0	BF50Z-../DHE08LA4	88	13600	-
0.55	3.7	1410	0.92	392.8	BF50Z-../DHE08LA4	88	13600	-
0.55	3.3	1590	0.82	439.3	BF50Z-../DHE08LA4	88	13600	-
0.55	7.6	690	3.3	187.7	BF60Z-../DHE08LA4	131	15300	43300
0.55	6.4	820	2.8	221.4	BF60Z-../DHE08LA4	131	15300	43300
0.55	5.8	900	2.6	245.6	BF60Z-../DHE08LA4	131	15300	43300
0.55	4.9	1070	2.1	293.4	BF60Z-../DHE08LA4	131	15300	43300
0.55	4.4	1190	1.95	325.6	BF60Z-../DHE08LA4	131	15300	43300
0.55	3.8	1380	1.65	380.0	BF60Z-../DHE08LA4	131	15300	43300
0.55	3.4	1540	1.5	421.6	BF60Z-../DHE08LA4	131	15300	43300
0.55	3.1	1690	1.35	459.9	BF60Z-../DHE08LA4	131	15300	43300
0.55	2.8	1870	1.25	510.3	BF60Z-../DHE08LA4	131	15300	43300
0.55	2.5	1860	1.35	569.3	BF60G20-../DHE08LA4	139	15300	43300
0.55	2.1	2200	1.15	689.0	BF60G20-../DHE08LA4	139	15300	43300
0.55	1.8	2600	0.96	813.2	BF60G20-../DHE08LA4	139	15300	43300
0.55	1.6	3000	0.83	937.6	BF60G20-../DHE08LA4	139	15300	43300
0.55	3.3	1590	3.3	439.2	BF70Z-../DHE08LA4	220	16100	47700
0.55	2.8	1870	2.8	512.4	BF70Z-../DHE08LA4	220	16100	47700

The torques marked (*) are maximum permissible torques for service factor f_B=1.0.

BF-series shaft-mounted geared motors

Selection - shaft-mounted geared motors

0.55 kW



P _N [kW]	n ₂ [1/min]	50 Hz		i [:1]	Type	m [kg]	[N]	[N]
		M ₂ [Nm]	f _B [—]					
0.55	2.7	1720	3.3	524.1	BF70G20-../DHE08LA4	217	16100	47700
0.55	2.5	1850	3.1	577.5	BF70G20-../DHE08LA4	217	16100	47700
0.55	2.2	2100	2.7	673.6	BF70G20-../DHE08LA4	217	16100	47700
0.55	1.7	2800	2.0	872.1	BF70G20-../DHE08LA4	217	16100	47700
0.55	1.4	3450	1.65	1017	BF70G20-../DHE08LA4	217	16100	47700
0.55	1.1	4400	1.3	1390	BF70G20-../DHE08LA4	217	16100	47700
0.55	0.9	5400	1.05	1621	BF70G20-../DHE08LA4	217	16100	47700
0.55	1.5	3500	3.0	990.4	BF80Z-../DHE08LA4	336	39600	75000
0.55	1.3	4000	2.6	1124	BF80Z-../DHE08LA4	336	39600	75000
0.55	1.1	3300	3.2	1329	BF80G40-../DHE08LA4	341	39600	75000
0.55	0.95	4100	2.6	1491	BF80G40-../DHE08LA4	341	39600	75000
0.55	0.85	4550	2.3	1693	BF80G40-../DHE08LA4	341	39600	75000
0.55	0.7	5900	1.8	2051	BF80G40-../DHE08LA4	341	39600	75000
0.55	0.6	7100	1.5	2422	BF80G40-../DHE08LA4	341	39600	75000
0.55	0.55	7500	1.4	2785	BF80G40-../DHE08LA4	341	39600	75000
0.55	0.46	9300	1.15	3092	BF80G40-../DHE08LA4	341	39600	75000
0.55	0.55	7100	2.6	2656	BF90G50-../DHE08LA4	612	42800	120000
0.55	0.48	8600	2.2	2952	BF90G50-../DHE08LA4	612	42800	120000
0.55	0.44	9400	1.95	3286	BF90G50-../DHE08LA4	612	42800	120000
0.55	0.39	10900	1.7	3644	BF90G50-../DHE08LA4	612	42800	120000
0.55	0.33	13400	1.4	4366	BF90G50-../DHE08LA4	612	42800	120000
0.55	0.3	15000	1.25	4839	BF90G50-../DHE08LA4	612	42800	120000

7

0.75 kW



P _N [kW]	n ₂ [1/min]	50 Hz		i [:1]	Type	m [kg]	[N]	[N]
		M ₂ [Nm]	f _B [—]					
0.75	250	28.5	2.2	5.72	BF06-../DPE08XB4	18	1600	-
0.75	187	38	1.8	7.66	BF06-../DPE08XB4	18	1800	-
0.75	155	46	1.5	9.21	BF06-../DPE08XB4	18	1900	-
0.75	119	60	1.25	12.07	BF06-../DPE08XB4	18	2000	-
0.75	101	70	1.2	14.21	BF06-../DPE08XB4	18	2100	-
0.75	84	85	1.1	16.99	BF06-../DPE08XB4	18	2500	-
0.75	70	102	0.93	20.42	BF06-../DPE08XB4	18	2700	-
0.75	121	59	3.1	11.84	BF10-../DPE08XB4	30	2500	-
0.75	95	75	2.4	15.04	BF10-../DPE08XB4	30	2800	-
0.75	79	90	2.7	18.23	BF10-../DPE08XB4	30	2900	-
0.75	72	99	2.4	20.05	BF10-../DPE08XB4	30	3000	-
0.75	62	115	2.1	23.28	BF10-../DPE08XB4	30	3200	-
0.75	56	127	1.9	25.60	BF10-../DPE08XB4	30	3350	-
0.75	51	140	1.7	28.47	BF10-../DPE08XB4	30	3450	-
0.75	46	155	1.55	31.31	BF10-../DPE08XB4	30	3600	-
0.75	39.5	181	1.35	36.15	BF10-../DPE08XB4	30	3800	-
0.75	36	198	1.2	39.75	BF10-../DPE08XB4	30	3950	-
0.75	33.5	210	1.15	43.06	BF10-../DPE08XB4	30	4100	-
0.75	30.5	230	1.05	47.35	BF10-../DPE08XB4	30	4250	-
0.75	28	255	0.94	51.28	BF10-../DPE08XB4	30	4400	-
0.75	25.5	280	0.86	56.39	BF10-../DPE08XB4	30	4550	-
0.75	23.5	300	0.8	61.55	BF10-../DPE08XB4	30	4700	-
0.75	59	121	3.3	24.25	BF20-../DPE08XB4	36	3950	-
0.75	52	137	3.1	27.62	BF20-../DPE08XB4	36	4150	-
0.75	47	152	2.8	30.40	BF20-../DPE08XB4	36	4400	-
0.75	44	162	2.6	32.58	BF20-../DPE08XB4	36	4450	-
0.75	40	179	2.3	35.85	BF20-../DPE08XB4	36	4650	-
0.75	34.5	205	2.0	41.72	BF20-../DPE08XB4	36	4950	-
0.75	31.5	225	1.85	45.90	BF20-../DPE08XB4	36	5100	-
0.75	29.5	240	1.75	48.56	BF20-../DPE08XB4	36	5200	-
0.75	27	265	1.6	53.43	BF20-../DPE08XB4	36	5500	-
0.75	24.5	290	1.45	58.24	BF20-../DPE08XB4	36	5600	-
0.75	22.5	315	1.35	64.08	BF20-../DPE08XB4	36	5900	-
0.75	20.5	345	1.2	69.70	BF20-../DPE08XB4	36	6100	-

The torques marked (*) are maximum permissible torques for service factor f_B=1.0.

BF-series shaft-mounted geared motors

Selection - shaft-mounted geared motors

0.75 kW



P _N [kW]	n ₂ [1/min]	50 Hz		i [:1]	Type	m [kg]	[N]	[N]
		M ₂ [Nm]	f _B [-]					
0.75	19	375	1.1	76.69	BF20-../DPE08XB4	36	6300	-
0.75	16.5	430	0.98	87.31	BF20-../DPE08XB4	36	6600	-
0.75	14.5	490	0.86	100.2	BF20-../DPE08XB4	36	7000	-
0.75	41	174	3.3	35.00	BF30-../DPE08XB4	46	4200	-
0.75	37.5	191	3.0	38.49	BF30-../DPE08XB4	46	4400	-
0.75	35	200	2.9	41.01	BF30-../DPE08XB4	46	4500	-
0.75	32	220	2.6	45.10	BF30-../DPE08XB4	46	4700	-
0.75	27.5	260	2.2	52.20	BF30-../DPE08XB4	46	5000	-
0.75	25	285	2.0	57.41	BF30-../DPE08XB4	46	5200	-
0.75	23.5	300	1.9	61.17	BF30-../DPE08XB4	46	5300	-
0.75	21.5	330	1.75	67.28	BF30-../DPE08XB4	46	5500	-
0.75	20	355	1.6	72.13	BF30-../DPE08XB4	46	5700	-
0.75	18	395	1.45	79.34	BF30-../DPE08XB4	46	5900	-
0.75	16.5	430	1.35	87.08	BF30-../DPE08XB4	46	6200	-
0.75	15	475	1.2	95.79	BF30-../DPE08XB4	46	6400	-
0.75	13.5	530	1.1	107.6	BF30-../DPE08XB4	46	6700	-
0.75	12.5	570	1.0	118.3	BF30-../DPE08XB4	46	7000	-
0.75	11.5	620	0.93	124.7	BF30-../DPE08XB4	46	7100	-
0.75	10.5	680	0.85	137.1	BF30-../DPE08XB4	46	7400	-
0.75	26.5	270	3.3	53.82	BF40-../DPE08XB4	56	7200	-
0.75	23.5	300	3.0	61.25	BF40-../DPE08XB4	56	7600	-
0.75	21.5	330	2.7	67.38	BF40-../DPE08XB4	56	8000	-
0.75	20	355	2.5	71.40	BF40-../DPE08XB4	56	8100	-
0.75	18.5	385	2.3	78.55	BF40-../DPE08XB4	56	8500	-
0.75	17	420	2.1	83.91	BF40-../DPE08XB4	56	8700	-
0.75	15.5	460	1.95	92.31	BF40-../DPE08XB4	56	9100	-
0.75	14.5	490	1.85	101.0	BF40-../DPE08XB4	56	9400	-
0.75	13	550	1.65	111.1	BF40-../DPE08XB4	56	9800	-
0.75	11.5	620	1.45	124.5	BF40-../DPE08XB4	56	10200	-
0.75	10.5	680	1.3	137.0	BF40-../DPE08XB4	56	10600	-
0.75	9.2	770	1.15	155.6	BF40Z-../DPE08XB4	59	10600	-
0.75	8.4	850	1.05	171.2	BF40Z-../DPE08XB4	59	10600	-
0.75	7.6	940	0.96	188.3	BF40Z-../DPE08XB4	59	10600	-
0.75	7.1	1000	0.9	202.2	BF40Z-../DPE08XB4	59	10600	-
0.75	6.5	1100	0.82	222.4	BF40Z-../DPE08XB4	59	10600	-
0.75	18	395	3.3	81.33	BF50-../DPE08XB4	84	11300	-
0.75	16	445	2.9	90.24	BF50-../DPE08XB4	84	11800	-
0.75	14.5	490	2.7	100.9	BF50-../DPE08XB4	84	12300	-
0.75	12.5	570	2.3	114.0	BF50-../DPE08XB4	84	12900	-
0.75	11.5	620	2.1	127.5	BF50-../DPE08XB4	84	13600	-
0.75	10.5	680	1.9	138.1	BF50Z-../DPE08XB4	89	13600	-
0.75	9.3	770	1.7	154.5	BF50Z-../DPE08XB4	89	13600	-
0.75	7.8	910	1.45	183.5	BF50Z-../DPE08XB4	89	13600	-
0.75	7.0	1020	1.25	205.2	BF50Z-../DPE08XB4	89	13600	-
0.75	5.8	1230	1.05	247.5	BF50Z-../DPE08XB4	89	13600	-
0.75	5.2	1370	0.95	276.8	BF50Z-../DPE08XB4	89	13600	-
0.75	4.6	1550	0.84	316.6	BF50Z-../DPE08XB4	89	13600	-
0.75	8.5	840	2.7	169.2	BF60Z-../DPE08XB4	133	15300	43300
0.75	7.6	940	2.4	187.7	BF60Z-../DPE08XB4	133	15300	43300
0.75	6.5	1100	2.1	221.4	BF60Z-../DPE08XB4	133	15300	43300
0.75	5.9	1210	1.9	245.6	BF60Z-../DPE08XB4	133	15300	43300
0.75	4.9	1460	1.6	293.4	BF60Z-../DPE08XB4	133	15300	43300
0.75	4.4	1620	1.4	325.6	BF60Z-../DPE08XB4	133	15300	43300
0.75	3.8	1880	1.2	380.0	BF60Z-../DPE08XB4	133	15300	43300
0.75	3.4	2100	1.1	421.6	BF60Z-../DPE08XB4	133	15300	43300
0.75	3.1	2300	1.0	459.9	BF60Z-../DPE08XB4	133	15300	43300
0.75	2.8	2550	0.9	510.3	BF60Z-../DPE08XB4	133	15300	43300
0.75	2.6	2500	1.0	569.3	BF60G20-../DPE08XB4	140	15300	43300
0.75	2.1	3100	0.81	689.0	BF60G20-../DPE08XB4	140	15300	43300
0.75	4.2	1700	3.1	341.7	BF70Z-../DPE08XB4	221	16100	47700
0.75	3.6	1980	2.6	398.7	BF70Z-../DPE08XB4	221	16100	47700
0.75	3.3	2150	2.4	439.2	BF70Z-../DPE08XB4	221	16100	47700
0.75	2.8	2550	2.0	512.4	BF70Z-../DPE08XB4	221	16100	47700
0.75	2.5	2600	2.2	577.5	BF70G20-../DPE08XB4	219	16100	47700
0.75	2.2	2950	1.95	673.6	BF70G20-../DPE08XB4	219	16100	47700

The torques marked (*) are maximum permissible torques for service factor f_B=1.0.

BF-series shaft-mounted geared motors

Selection - shaft-mounted geared motors

0.75 kW



P _N [kW]	n ₂ [1/min]	50 Hz		i [:1]	Type	m [kg]	[N]	[N]
		M ₂ [Nm]	f _B [—]					
0.75	1.7	3950	1.45	872.1	BF70G20-../DPE08XB4	219	16100	47700
0.75	1.5	4450	1.3	1017	BF70G20-../DPE08XB4	219	16100	47700
0.75	1.1	6100	0.93	1390	BF70G20-../DPE08XB4	219	16100	47700
0.75	2.2	3250	3.2	662.1	BF80Z-../DPE08XB4	338	39600	75000
0.75	1.9	3750	2.8	770.6	BF80Z-../DPE08XB4	338	39600	75000
0.75	1.7	4200	2.5	874.6	BF80Z-../DPE08XB4	338	39600	75000
0.75	1.5	4750	2.2	990.4	BF80Z-../DPE08XB4	338	39600	75000
0.75	1.3	5500	1.9	1124	BF80Z-../DPE08XB4	338	39600	75000
0.75	1.1	5000	2.1	1329	BF80G40-../DPE08XB4	343	39600	75000
0.75	1.0	5700	1.85	1491	BF80G40-../DPE08XB4	343	39600	75000
0.75	0.85	6800	1.55	1693	BF80G40-../DPE08XB4	343	39600	75000
0.75	0.7	8600	1.2	2051	BF80G40-../DPE08XB4	343	39600	75000
0.75	0.6	10300	1.0	2422	BF80G40-../DPE08XB4	343	39600	75000
0.75	1.0	5700	3.2	1444	BF90G50-../DPE08XB4	614	42800	120000
0.75	0.85	6800	2.7	1678	BF90G50-../DPE08XB4	614	42800	120000
0.75	0.8	7100	2.6	1867	BF90G50-../DPE08XB4	614	42800	120000
0.75	0.7	8100	2.3	2154	BF90G50-../DPE08XB4	614	42800	120000
0.75	0.55	10600	1.75	2656	BF90G50-../DPE08XB4	614	42800	120000
0.75	0.49	12300	1.5	2952	BF90G50-../DPE08XB4	614	42800	120000
0.75	0.44	13700	1.35	3286	BF90G50-../DPE08XB4	614	42800	120000
0.75	0.4	15400	1.2	3644	BF90G50-../DPE08XB4	614	42800	120000

7

1.1 kW



P _N [kW]	n ₂ [1/min]	50 Hz		i [:1]	Type	m [kg]	[N]	[N]
		M ₂ [Nm]	f _B [—]					
1.1	260	40	3.5	5.60	BF10-../DPE09XA4	40	1950	-
1.1	190	55	2.8	7.58	BF10-../DPE09XA4	40	2200	-
1.1	149	70	2.5	9.69	BF10-../DPE09XA4	40	2350	-
1.1	122	86	2.1	11.84	BF10-../DPE09XA4	40	2500	-
1.1	96	109	1.7	15.04	BF10-../DPE09XA4	40	2800	-
1.1	79	132	1.8	18.23	BF10-../DPE09XA4	40	2900	-
1.1	72	145	1.65	20.05	BF10-../DPE09XA4	40	3000	-
1.1	62	169	1.4	23.28	BF10-../DPE09XA4	40	3200	-
1.1	57	184	1.3	25.60	BF10-../DPE09XA4	40	3350	-
1.1	51	205	1.15	28.47	BF10-../DPE09XA4	40	3450	-
1.1	46	225	1.05	31.31	BF10-../DPE09XA4	40	3600	-
1.1	40	260	0.92	36.15	BF10-../DPE09XA4	40	3800	-
1.1	36.5	285	0.84	39.75	BF10-../DPE09XA4	40	3950	-
1.1	110	95	3.0	13.18	BF20-../DPE09XA4	46	3300	-
1.1	93	112	2.8	15.54	BF20-../DPE09XA4	46	3450	-
1.1	86	122	3.0	16.77	BF20-../DPE09XA4	46	3500	-
1.1	79	132	2.8	18.45	BF20-../DPE09XA4	46	3600	-
1.1	66	159	2.5	22.04	BF20-../DPE09XA4	46	3800	-
1.1	60	175	2.3	24.25	BF20-../DPE09XA4	46	3950	-
1.1	53	198	2.1	27.62	BF20-../DPE09XA4	46	4150	-
1.1	47.5	220	1.9	30.40	BF20-../DPE09XA4	46	4400	-
1.1	44.5	235	1.8	32.58	BF20-../DPE09XA4	46	4450	-
1.1	40.5	255	1.65	35.85	BF20-../DPE09XA4	46	4650	-
1.1	35	300	1.4	41.72	BF20-../DPE09XA4	46	4950	-
1.1	31.5	330	1.25	45.90	BF20-../DPE09XA4	46	5100	-
1.1	30	350	1.2	48.56	BF20-../DPE09XA4	46	5200	-
1.1	27	385	1.1	53.43	BF20-../DPE09XA4	46	5500	-
1.1	25	420	1.0	58.24	BF20-../DPE09XA4	46	5600	-
1.1	22.5	465	0.9	64.08	BF20-../DPE09XA4	46	5900	-
1.1	21	500	0.84	69.70	BF20-../DPE09XA4	46	6100	-
1.1	66	159	3.3	21.85	BF30-../DPE09XA4	57	3500	-
1.1	60	175	3.2	24.03	BF30-../DPE09XA4	57	3600	-
1.1	52	200	2.9	28.23	BF30-../DPE09XA4	57	3800	-
1.1	46.5	225	2.6	31.05	BF30-../DPE09XA4	57	4000	-
1.1	41.5	250	2.3	35.00	BF30-../DPE09XA4	57	4200	-

The torques marked (*) are maximum permissible torques for service factor f_B=1.0.

BF-series shaft-mounted geared motors

Selection - shaft-mounted geared motors

1.1 kW



P _N [kW]	n ₂ [1/min]	50 Hz		i [:1]	Type	m [kg]	[N]	[N]
		M ₂ [Nm]	f _B [-]					
1.1	37.5	280	2.1	38.49	BF30-../DPE09XA4	57	4400	-
1.1	35.5	295	1.95	41.01	BF30-../DPE09XA4	57	4500	-
1.1	32	325	1.75	45.10	BF30-../DPE09XA4	57	4700	-
1.1	28	375	1.55	52.20	BF30-../DPE09XA4	57	5000	-
1.1	25.5	410	1.4	57.41	BF30-../DPE09XA4	57	5200	-
1.1	24	435	1.3	61.17	BF30-../DPE09XA4	57	5300	-
1.1	21.5	485	1.2	67.28	BF30-../DPE09XA4	57	5500	-
1.1	20	520	1.1	72.13	BF30-../DPE09XA4	57	5700	-
1.1	18.5	560	1.05	79.34	BF30-../DPE09XA4	57	5900	-
1.1	17	610	0.94	87.08	BF30-../DPE09XA4	57	6200	-
1.1	15.5	670	0.86	95.79	BF30-../DPE09XA4	57	6400	-
1.1	38.5	270	3.3	37.64	BF40-../DPE09XA4	66	6200	-
1.1	35	300	3.0	41.42	BF40-../DPE09XA4	66	6500	-
1.1	32	325	2.8	45.56	BF40-../DPE09XA4	66	6800	-
1.1	29.5	355	2.5	48.92	BF40-../DPE09XA4	66	7000	-
1.1	27	385	2.3	53.82	BF40-../DPE09XA4	66	7200	-
1.1	24	435	2.1	61.25	BF40-../DPE09XA4	66	7600	-
1.1	21.5	485	1.85	67.38	BF40-../DPE09XA4	66	8000	-
1.1	20.5	510	1.75	71.40	BF40-../DPE09XA4	66	8100	-
1.1	18.5	560	1.6	78.55	BF40-../DPE09XA4	66	8500	-
1.1	17.5	600	1.5	83.91	BF40-../DPE09XA4	66	8700	-
1.1	16	650	1.4	92.31	BF40-../DPE09XA4	66	9100	-
1.1	14.5	720	1.25	101.0	BF40-../DPE09XA4	66	9400	-
1.1	13	800	1.15	111.1	BF40-../DPE09XA4	66	9800	-
1.1	12	870	1.05	124.5	BF40-../DPE09XA4	66	10200	-
1.1	11	950	0.95	137.0	BF40-../DPE09XA4	66	10600	-
1.1	10.5	1000	0.9	141.4	BF40Z-../DPE09XA4	70	10600	-
1.1	9.3	1120	0.8	155.6	BF40Z-../DPE09XA4	70	10600	-
1.1	25.5	410	3.2	56.86	BF50-../DPE09XA4	94	9300	-
1.1	23	455	2.9	63.59	BF50-../DPE09XA4	94	9800	-
1.1	20	520	2.5	72.72	BF50-../DPE09XA4	94	10700	-
1.1	18	580	2.2	81.33	BF50-../DPE09XA4	94	11300	-
1.1	16	650	2.0	90.24	BF50-../DPE09XA4	94	11800	-
1.1	14.5	720	1.8	100.9	BF50-../DPE09XA4	94	12300	-
1.1	13	800	1.65	114.0	BF50-../DPE09XA4	94	12900	-
1.1	11.5	910	1.45	127.5	BF50-../DPE09XA4	94	13600	-
1.1	10.5	1000	1.3	138.1	BF50Z-../DPE09XA4	99	13600	-
1.1	9.4	1110	1.15	154.5	BF50Z-../DPE09XA4	99	13600	-
1.1	7.9	1320	0.98	183.5	BF50Z-../DPE09XA4	99	13600	-
1.1	7.1	1470	0.88	205.2	BF50Z-../DPE09XA4	99	13600	-
1.1	14	750	3.1	103.7	BF60-../DPE09XA4	124	14100	39900
1.1	13	800	2.9	113.1	BF60-../DPE09XA4	124	14600	41300
1.1	11.5	910	2.5	125.5	BF60-../DPE09XA4	124	15300	43300
1.1	10.5	1000	2.3	140.8	BF60Z-../DPE09XA4	143	15300	43300
1.1	8.6	1220	1.9	169.2	BF60Z-../DPE09XA4	143	15300	43300
1.1	7.7	1360	1.7	187.7	BF60Z-../DPE09XA4	143	15300	43300
1.1	6.6	1590	1.45	221.4	BF60Z-../DPE09XA4	143	15300	43300
1.1	5.9	1780	1.3	245.6	BF60Z-../DPE09XA4	143	15300	43300
1.1	5.0	2100	1.1	293.4	BF60Z-../DPE09XA4	143	15300	43300
1.1	4.5	2300	1.0	325.6	BF60Z-../DPE09XA4	143	15300	43300
1.1	3.8	2750	0.84	380.0	BF60Z-../DPE09XA4	143	15300	43300
1.1	6.2	1690	3.1	233.0	BF70Z-../DPE09XA4	231	16100	47700
1.1	5.6	1870	2.8	258.7	BF70Z-../DPE09XA4	231	16100	47700
1.1	4.8	2150	2.4	301.8	BF70Z-../DPE09XA4	231	16100	47700
1.1	4.3	2400	2.2	341.7	BF70Z-../DPE09XA4	231	16100	47700
1.1	3.7	2800	1.85	398.7	BF70Z-../DPE09XA4	231	16100	47700
1.1	3.3	3150	1.65	439.2	BF70Z-../DPE09XA4	231	16100	47700
1.1	2.9	3600	1.45	512.4	BF70Z-../DPE09XA4	231	16100	47700
1.1	2.8	3500	1.65	524.1	BF70G20-../DPE09XA4	229	16100	47700
1.1	2.5	3950	1.45	577.5	BF70G20-../DPE09XA4	229	16100	47700
1.1	2.2	4450	1.3	673.6	BF70G20-../DPE09XA4	229	16100	47700
1.1	1.7	5900	0.97	872.1	BF70G20-../DPE09XA4	229	16100	47700
1.1	1.5	6700	0.85	1017	BF70G20-../DPE09XA4	229	16100	47700
1.1	3.2	3250	3.2	450.4	BF80Z-../DPE09XA4	348	39600	75000
1.1	2.9	3600	2.9	511.2	BF80Z-../DPE09XA4	348	39600	75000

The torques marked (*) are maximum permissible torques for service factor f_B=1.0.

BF-series shaft-mounted geared motors

Selection - shaft-mounted geared motors

1.1 kW



P _N [kW]	n ₂ [1/min]	50 Hz		i [:1]	Type	m		
		M ₂ [Nm]	f _B [—]			[kg]	[N]	[N]
1.1	2.5	4200	2.5	583.4	BF80Z-../DPE09XA4	348	39600	75000
1.1	2.2	4750	2.2	662.1	BF80Z-../DPE09XA4	348	39600	75000
1.1	1.9	5500	1.9	770.6	BF80Z-../DPE09XA4	348	39600	75000
1.1	1.7	6100	1.7	874.6	BF80Z-../DPE09XA4	348	39600	75000
1.1	1.5	7000	1.5	990.4	BF80Z-../DPE09XA4	348	39600	75000
1.1	1.3	8000	1.3	1124	BF80Z-../DPE09XA4	348	39600	75000
1.1	1.1	8100	1.3	1329	BF80G40-../DPE09XA4	353	39600	75000
1.1	1.0	9100	1.15	1491	BF80G40-../DPE09XA4	353	39600	75000
1.1	0.9	10000	1.05	1693	BF80G40-../DPE09XA4	353	39600	75000
1.1	1.8	5800	3.2	845.1	BF90Z-../DPE09XA4	612	42800	120000
1.1	1.4	6100	3.0	1043	BF90G50-../DPE09XA4	624	42800	120000
1.1	1.2	7100	2.6	1204	BF90G50-../DPE09XA4	624	42800	120000
1.1	1.0	9100	2.0	1444	BF90G50-../DPE09XA4	624	42800	120000
1.1	0.9	10000	1.85	1678	BF90G50-../DPE09XA4	624	42800	120000
1.1	0.8	11300	1.65	1867	BF90G50-../DPE09XA4	624	42800	120000
1.1	0.7	12900	1.45	2154	BF90G50-../DPE09XA4	624	42800	120000
1.1	0.55	16700	1.1	2656	BF90G50-../DPE09XA4	624	42800	120000

1.5 kW



P _N [kW]	n ₂ [1/min]	50 Hz		i [:1]	Type	m		
		M ₂ [Nm]	f _B [—]			[kg]	[N]	[N]
1.5	260	55	2.5	5.60	BF10-../DPE09XB4	40	1950	-
1.5	190	75	2.0	7.58	BF10-../DPE09XB4	40	2200	-
1.5	149	96	1.85	9.69	BF10-../DPE09XB4	40	2350	-
1.5	122	117	1.55	11.84	BF10-../DPE09XB4	40	2500	-
1.5	96	149	1.25	15.04	BF10-../DPE09XB4	40	2800	-
1.5	79	181	1.35	18.23	BF10-../DPE09XB4	40	2900	-
1.5	72	198	1.2	20.05	BF10-../DPE09XB4	40	3000	-
1.5	62	230	1.05	23.28	BF10-../DPE09XB4	40	3200	-
1.5	57	250	0.96	25.60	BF10-../DPE09XB4	40	3350	-
1.5	51	280	0.86	28.47	BF10-../DPE09XB4	40	3450	-
1.5	180	79	2.8	8.00	BF20-../DPE09XB4	46	2850	-
1.5	137	104	2.5	10.51	BF20-../DPE09XB4	46	3100	-
1.5	109	131	2.2	13.18	BF20-../DPE09XB4	46	3300	-
1.5	93	154	2.0	15.54	BF20-../DPE09XB4	46	3450	-
1.5	86	166	2.2	16.77	BF20-../DPE09XB4	46	3500	-
1.5	78	183	2.0	18.45	BF20-../DPE09XB4	46	3600	-
1.5	66	215	1.85	22.04	BF20-../DPE09XB4	46	3800	-
1.5	60	235	1.7	24.25	BF20-../DPE09XB4	46	3950	-
1.5	52	275	1.55	27.62	BF20-../DPE09XB4	46	4150	-
1.5	47.5	300	1.4	30.40	BF20-../DPE09XB4	46	4400	-
1.5	44.5	320	1.3	32.58	BF20-../DPE09XB4	46	4450	-
1.5	40.5	350	1.2	35.85	BF20-../DPE09XB4	46	4650	-
1.5	34.5	415	1.0	41.72	BF20-../DPE09XB4	46	4950	-
1.5	31.5	450	0.93	45.90	BF20-../DPE09XB4	46	5100	-
1.5	30	475	0.88	48.56	BF20-../DPE09XB4	46	5200	-
1.5	144	99	3.2	9.99	BF30-../DPE09XB4	57	2850	-
1.5	112	127	2.9	12.91	BF30-../DPE09XB4	57	3050	-
1.5	90	159	2.6	16.00	BF30-../DPE09XB4	57	3250	-
1.5	82	174	2.8	17.65	BF30-../DPE09XB4	57	3300	-
1.5	74	193	2.6	19.41	BF30-../DPE09XB4	57	3400	-
1.5	66	215	2.5	21.85	BF30-../DPE09XB4	57	3500	-
1.5	60	235	2.4	24.03	BF30-../DPE09XB4	57	3600	-
1.5	51	280	2.1	28.23	BF30-../DPE09XB4	57	3800	-
1.5	46.5	305	1.9	31.05	BF30-../DPE09XB4	57	4000	-
1.5	41	345	1.65	35.00	BF30-../DPE09XB4	57	4200	-
1.5	37.5	380	1.5	38.49	BF30-../DPE09XB4	57	4400	-
1.5	35	405	1.4	41.01	BF30-../DPE09XB4	57	4500	-
1.5	32	445	1.3	45.10	BF30-../DPE09XB4	57	4700	-
1.5	27.5	520	1.1	52.20	BF30-../DPE09XB4	57	5000	-
1.5	25	570	1.0	57.41	BF30-../DPE09XB4	57	5200	-

The torques marked (*) are maximum permissible torques for service factor f_B=1.0.

BF-series shaft-mounted geared motors

Selection - shaft-mounted geared motors

1.5 kW



P _N [kW]	n ₂ [1/min]	50 Hz		i [:1]	Type	m [kg]	[N]	[N]
		M ₂ [Nm]	f _B [-]					
1.5	23.5	600	0.96	61.17	BF30-../DPE09XB4	57	5300	-
1.5	21.5	660	0.87	67.28	BF30-../DPE09XB4	57	5500	-
1.5	20	710	0.81	72.13	BF30-../DPE09XB4	57	5700	-
1.5	67	210	3.3	21.60	BF40-../DPE09XB4	66	5200	-
1.5	61	230	3.2	23.77	BF40-../DPE09XB4	66	5400	-
1.5	54	265	2.9	26.86	BF40-../DPE09XB4	66	5600	-
1.5	49	290	2.8	29.55	BF40-../DPE09XB4	66	5800	-
1.5	42	340	2.5	34.21	BF40-../DPE09XB4	66	6000	-
1.5	38.5	370	2.4	37.64	BF40-../DPE09XB4	66	6200	-
1.5	35	405	2.2	41.42	BF40-../DPE09XB4	66	6500	-
1.5	31.5	450	2.0	45.56	BF40-../DPE09XB4	66	6800	-
1.5	29.5	485	1.85	48.92	BF40-../DPE09XB4	66	7000	-
1.5	27	530	1.7	53.82	BF40-../DPE09XB4	66	7200	-
1.5	23.5	600	1.5	61.25	BF40-../DPE09XB4	66	7600	-
1.5	21.5	660	1.35	67.38	BF40-../DPE09XB4	66	8000	-
1.5	20.5	690	1.3	71.40	BF40-../DPE09XB4	66	8100	-
1.5	18.5	770	1.15	78.55	BF40-../DPE09XB4	66	8500	-
1.5	17.5	810	1.1	83.91	BF40-../DPE09XB4	66	8700	-
1.5	16	890	1.0	92.31	BF40-../DPE09XB4	66	9100	-
1.5	14.5	980	0.92	101.0	BF40-../DPE09XB4	66	9400	-
1.5	13	1100	0.82	111.1	BF40-../DPE09XB4	66	9800	-
1.5	34.5	415	3.1	42.15	BF50-../DPE09XB4	94	8500	-
1.5	30.5	465	2.8	47.14	BF50-../DPE09XB4	94	8900	-
1.5	25.5	560	2.3	56.86	BF50-../DPE09XB4	94	9300	-
1.5	23	620	2.1	63.59	BF50-../DPE09XB4	94	9800	-
1.5	20	710	1.85	72.72	BF50-../DPE09XB4	94	10700	-
1.5	18	790	1.65	81.33	BF50-../DPE09XB4	94	11300	-
1.5	16	890	1.45	90.24	BF50-../DPE09XB4	94	11800	-
1.5	14.5	980	1.35	100.9	BF50-../DPE09XB4	94	12300	-
1.5	13	1100	1.2	114.0	BF50-../DPE09XB4	94	12900	-
1.5	11.5	1240	1.05	127.5	BF50-../DPE09XB4	94	13600	-
1.5	10.5	1360	0.96	138.1	BF50Z-../DPE09XB4	99	13600	-
1.5	9.3	1540	0.84	154.5	BF50Z-../DPE09XB4	99	13600	-
1.5	20	710	3.2	72.15	BF60-../DPE09XB4	124	12000	34000
1.5	18	790	2.9	80.05	BF60-../DPE09XB4	124	12600	35600
1.5	15.5	920	2.5	93.44	BF60-../DPE09XB4	124	13500	38200
1.5	14	1020	2.3	103.7	BF60-../DPE09XB4	124	14100	39900
1.5	13	1100	2.1	113.1	BF60-../DPE09XB4	124	14600	41300
1.5	11.5	1240	1.85	125.5	BF60-../DPE09XB4	124	15300	43300
1.5	10.5	1360	1.7	140.8	BF60Z-../DPE09XB4	143	15300	43300
1.5	8.5	1680	1.35	169.2	BF60Z-../DPE09XB4	143	15300	43300
1.5	7.7	1860	1.25	187.7	BF60Z-../DPE09XB4	143	15300	43300
1.5	6.5	2200	1.05	221.4	BF60Z-../DPE09XB4	143	15300	43300
1.5	5.9	2400	0.96	245.6	BF60Z-../DPE09XB4	143	15300	43300
1.5	8.0	1790	2.9	179.7	BF70Z-../DPE09XB4	231	16100	47700
1.5	7.2	1980	2.6	199.7	BF70Z-../DPE09XB4	231	16100	47700
1.5	6.2	2300	2.3	233.0	BF70Z-../DPE09XB4	231	16100	47700
1.5	5.6	2550	2.0	258.7	BF70Z-../DPE09XB4	231	16100	47700
1.5	4.8	2950	1.75	301.8	BF70Z-../DPE09XB4	231	16100	47700
1.5	4.2	3400	1.55	341.7	BF70Z-../DPE09XB4	231	16100	47700
1.5	3.6	3950	1.3	398.7	BF70Z-../DPE09XB4	231	16100	47700
1.5	3.3	4300	1.2	439.2	BF70Z-../DPE09XB4	231	16100	47700
1.5	2.9	4900	1.05	512.4	BF70Z-../DPE09XB4	231	16100	47700
1.5	2.8	4850	1.2	524.1	BF70G20-../DPE09XB4	229	16100	47700
1.5	2.5	5400	1.05	577.5	BF70G20-../DPE09XB4	229	16100	47700
1.5	2.2	6200	0.92	673.6	BF70G20-../DPE09XB4	229	16100	47700
1.5	4.2	3400	3.1	347.3	BF80Z-../DPE09XB4	348	39600	75000
1.5	3.7	3850	2.7	394.2	BF80Z-../DPE09XB4	348	39600	75000
1.5	3.2	4450	2.4	450.4	BF80Z-../DPE09XB4	348	39600	75000
1.5	2.9	4900	2.1	511.2	BF80Z-../DPE09XB4	348	39600	75000
1.5	2.5	5700	1.85	583.4	BF80Z-../DPE09XB4	348	39600	75000
1.5	2.2	6500	1.6	662.1	BF80Z-../DPE09XB4	348	39600	75000
1.5	1.9	7500	1.4	770.6	BF80Z-../DPE09XB4	348	39600	75000
1.5	1.7	8400	1.25	874.6	BF80Z-../DPE09XB4	348	39600	75000
1.5	1.5	9500	1.1	990.4	BF80Z-../DPE09XB4	348	39600	75000

The torques marked (*) are maximum permissible torques for service factor f_B=1.0.

BF-series shaft-mounted geared motors

Selection - shaft-mounted geared motors

1.5 kW



P _N [kW]	n ₂ [1/min]	50 Hz		i [:1]	Type	m [kg]	[N]	[N]
		M ₂ [Nm]	f _B [-]					
1.5	1.3	11000	0.95	1124	BF80Z-../DPE09XB4	348	39600	75000
1.5	1.1	11500	0.91	1329	BF80G40-../DPE09XB4	353	39600	75000
1.5	1.0	12900	0.81	1491	BF80G40-../DPE09XB4	353	39600	75000
1.5	2.5	5700	3.2	591.1	BF90Z-../DPE09XB4	612	42800	120000
1.5	2.2	6500	2.8	658.1	BF90Z-../DPE09XB4	612	42800	120000
1.5	1.9	7500	2.5	759.0	BF90Z-../DPE09XB4	612	42800	120000
1.5	1.7	8400	2.2	845.1	BF90Z-../DPE09XB4	612	42800	120000
1.5	1.5	7900	2.3	976.1	BF90G50-../DPE09XB4	624	42800	120000
1.5	1.4	8800	2.1	1043	BF90G50-../DPE09XB4	624	42800	120000
1.5	1.2	10300	1.8	1204	BF90G50-../DPE09XB4	624	42800	120000
1.5	1.0	12900	1.45	1444	BF90G50-../DPE09XB4	624	42800	120000
1.5	0.9	14300	1.3	1678	BF90G50-../DPE09XB4	624	42800	120000
1.5	0.8	16100	1.15	1867	BF90G50-../DPE09XB4	624	42800	120000
1.5	0.7	18400	1.0	2154	BF90G50-../DPE09XB4	624	42800	120000

2.2 kW



P _N [kW]	n ₂ [1/min]	50 Hz		i [:1]	Type	m [kg]	[N]	[N]
		M ₂ [Nm]	f _B [-]					
2.2	260	80	1.75	5.60	BF10-../DPE09XB4C	40	1950	-
2.2	192	109	1.4	7.58	BF10-../DPE09XB4C	40	2200	-
2.2	150	140	1.25	9.69	BF10-../DPE09XB4C	40	2350	-
2.2	123	170	1.1	11.84	BF10-../DPE09XB4C	40	2500	-
2.2	97	215	0.85	15.04	BF10-../DPE09XB4C	40	2800	-
2.2	80	260	0.92	18.23	BF10-../DPE09XB4C	40	2900	-
2.2	73	285	0.84	20.05	BF10-../DPE09XB4C	40	3000	-
2.2	245	85	2.4	6.04	BF20-../DPE09XB4C	46	2550	-
2.2	182	115	1.9	8.00	BF20-../DPE09XB4C	46	2850	-
2.2	138	152	1.7	10.51	BF20-../DPE09XB4C	46	3100	-
2.2	111	189	1.5	13.18	BF20-../DPE09XB4C	46	3300	-
2.2	94	220	1.4	15.54	BF20-../DPE09XB4C	46	3450	-
2.2	87	240	1.5	16.77	BF20-../DPE09XB4C	46	3500	-
2.2	79	265	1.4	18.45	BF20-../DPE09XB4C	46	3600	-
2.2	66	315	1.25	22.04	BF20-../DPE09XB4C	46	3800	-
2.2	60	350	1.15	24.25	BF20-../DPE09XB4C	46	3950	-
2.2	53	395	1.05	27.62	BF20-../DPE09XB4C	46	4150	-
2.2	48	435	0.97	30.40	BF20-../DPE09XB4C	46	4400	-
2.2	45	465	0.9	32.58	BF20-../DPE09XB4C	46	4450	-
2.2	40.5	510	0.82	35.85	BF20-../DPE09XB4C	46	4650	-
2.2	230	91	2.9	6.34	BF30-../DPE09XB4C	57	2400	-
2.2	180	116	2.5	8.07	BF30-../DPE09XB4C	57	2650	-
2.2	146	143	2.2	9.99	BF30-../DPE09XB4C	57	2850	-
2.2	113	185	2.0	12.91	BF30-../DPE09XB4C	57	3050	-
2.2	91	230	1.75	16.00	BF30-../DPE09XB4C	57	3250	-
2.2	83	250	1.9	17.65	BF30-../DPE09XB4C	57	3300	-
2.2	75	280	1.8	19.41	BF30-../DPE09XB4C	57	3400	-
2.2	67	310	1.7	21.85	BF30-../DPE09XB4C	57	3500	-
2.2	61	340	1.65	24.03	BF30-../DPE09XB4C	57	3600	-
2.2	52	400	1.45	28.23	BF30-../DPE09XB4C	57	3800	-
2.2	47	445	1.3	31.05	BF30-../DPE09XB4C	57	4000	-
2.2	41.5	500	1.15	35.00	BF30-../DPE09XB4C	57	4200	-
2.2	38	550	1.05	38.49	BF30-../DPE09XB4C	57	4400	-
2.2	35.5	590	0.97	41.01	BF30-../DPE09XB4C	57	4500	-
2.2	32.5	640	0.9	45.10	BF30-../DPE09XB4C	57	4700	-
2.2	191	110	3.3	7.62	BF40-../DPE09XB4C	66	3900	-
2.2	153	137	3.0	9.48	BF40-../DPE09XB4C	66	4150	-
2.2	123	170	2.7	11.79	BF40-../DPE09XB4C	66	4450	-
2.2	97	215	2.4	15.02	BF40-../DPE09XB4C	66	4800	-
2.2	84	250	2.5	17.35	BF40-../DPE09XB4C	66	4950	-
2.2	76	275	2.4	19.09	BF40-../DPE09XB4C	66	5100	-
2.2	68	305	2.3	21.60	BF40-../DPE09XB4C	66	5200	-

The torques marked (*) are maximum permissible torques for service factor f_B=1.0.

BF-series shaft-mounted geared motors

Selection - shaft-mounted geared motors

2.2 kW



P _N [kW]	n ₂ [1/min]	50 Hz		i [:1]	Type	m [kg]	[N]	[N]
		M ₂ [Nm]	f _B [-]					
2.2	62	335	2.2	23.77	BF40-../DPE09XB4C	66	5400	-
2.2	54	385	2.0	26.86	BF40-../DPE09XB4C	66	5600	-
2.2	49.5	420	1.9	29.55	BF40-../DPE09XB4C	66	5800	-
2.2	42.5	490	1.75	34.21	BF40-../DPE09XB4C	66	6000	-
2.2	39	530	1.7	37.64	BF40-../DPE09XB4C	66	6200	-
2.2	35.5	590	1.55	41.42	BF40-../DPE09XB4C	66	6500	-
2.2	32	650	1.4	45.56	BF40-../DPE09XB4C	66	6800	-
2.2	30	700	1.3	48.92	BF40-../DPE09XB4C	66	7000	-
2.2	27	770	1.15	53.82	BF40-../DPE09XB4C	66	7200	-
2.2	24	870	1.05	61.25	BF40-../DPE09XB4C	66	7600	-
2.2	22	950	0.95	67.38	BF40-../DPE09XB4C	66	8000	-
2.2	20.5	1020	0.88	71.40	BF40-../DPE09XB4C	66	8100	-
2.2	18.5	1130	0.8	78.55	BF40-../DPE09XB4C	66	8500	-
2.2	57	365	3.2	25.88	BF50-../DPE09XB4C	94	7100	-
2.2	46	455	2.8	31.73	BF50-../DPE09XB4C	94	7500	-
2.2	41	510	2.5	35.49	BF50-../DPE09XB4C	94	7800	-
2.2	34.5	600	2.2	42.15	BF50-../DPE09XB4C	94	8500	-
2.2	31	670	1.95	47.14	BF50-../DPE09XB4C	94	8900	-
2.2	26	800	1.65	56.86	BF50-../DPE09XB4C	94	9300	-
2.2	23	910	1.45	63.59	BF50-../DPE09XB4C	94	9800	-
2.2	20	1050	1.25	72.72	BF50-../DPE09XB4C	94	10700	-
2.2	18	1160	1.1	81.33	BF50-../DPE09XB4C	94	11300	-
2.2	16.5	1270	1.0	90.24	BF50-../DPE09XB4C	94	11800	-
2.2	14.5	1440	0.9	100.9	BF50-../DPE09XB4C	94	12300	-
2.2	13	1610	0.81	114.0	BF50-../DPE09XB4C	94	12900	-
2.2	27	770	3.0	54.44	BF60-../DPE09XB4C	124	10500	29700
2.2	24.5	850	2.7	60.40	BF60-../DPE09XB4C	124	11100	31400
2.2	20.5	1020	2.3	72.15	BF60-../DPE09XB4C	124	12000	34000
2.2	18.5	1130	2.0	80.05	BF60-../DPE09XB4C	124	12600	35600
2.2	16	1310	1.75	93.44	BF60-../DPE09XB4C	124	13500	38200
2.2	14	1500	1.55	103.7	BF60-../DPE09XB4C	124	14100	39900
2.2	13	1610	1.45	113.1	BF60-../DPE09XB4C	124	14600	41300
2.2	12	1750	1.3	125.5	BF60-../DPE09XB4C	124	15300	43300
2.2	10.5	2000	1.15	140.8	BF60Z-../DPE09XB4C	143	15300	43300
2.2	8.6	2400	0.96	169.2	BF60Z-../DPE09XB4C	143	15300	43300
2.2	7.8	2650	0.87	187.7	BF60Z-../DPE09XB4C	143	15300	43300
2.2	12	1750	3.0	122.7	BF70-../DPE09XB4C	210	16100	47700
2.2	11	1910	2.7	133.0	BF70Z-../DPE09XB4C	231	16100	47700
2.2	9.5	2200	2.4	154.0	BF70Z-../DPE09XB4C	231	16100	47700
2.2	8.1	2550	2.0	179.7	BF70Z-../DPE09XB4C	231	16100	47700
2.2	7.3	2850	1.8	199.7	BF70Z-../DPE09XB4C	231	16100	47700
2.2	6.3	3300	1.6	233.0	BF70Z-../DPE09XB4C	231	16100	47700
2.2	5.7	3650	1.4	258.7	BF70Z-../DPE09XB4C	231	16100	47700
2.2	4.9	4250	1.2	301.8	BF70Z-../DPE09XB4C	231	16100	47700
2.2	4.3	4850	1.05	341.7	BF70Z-../DPE09XB4C	231	16100	47700
2.2	3.7	5600	0.93	398.7	BF70Z-../DPE09XB4C	231	16100	47700
2.2	3.4	6100	0.85	439.2	BF70Z-../DPE09XB4C	231	16100	47700
2.2	7.0	3000	3.2	209.4	BF80-../DPE09XB4C	307	34300	75000
2.2	6.2	3350	2.8	237.1	BF80-../DPE09XB4C	307	36900	75000
2.2	5.4	3850	2.5	269.1	BF80-../DPE09XB4C	307	39600	75000
2.2	5.0	4200	2.5	291.7	BF80Z-../DPE09XB4C	348	39600	75000
2.2	4.2	5000	2.1	347.3	BF80Z-../DPE09XB4C	348	39600	75000
2.2	3.7	5600	1.9	394.2	BF80Z-../DPE09XB4C	348	39600	75000
2.2	3.3	6300	1.65	450.4	BF80Z-../DPE09XB4C	348	39600	75000
2.2	2.9	7200	1.45	511.2	BF80Z-../DPE09XB4C	348	39600	75000
2.2	2.5	8400	1.25	583.4	BF80Z-../DPE09XB4C	348	39600	75000
2.2	2.2	9500	1.1	662.1	BF80Z-../DPE09XB4C	348	39600	75000
2.2	1.9	11000	0.95	770.6	BF80Z-../DPE09XB4C	348	39600	75000
2.2	1.7	12300	0.85	874.6	BF80Z-../DPE09XB4C	348	39600	75000
2.2	3.2	6500	2.8	456.7	BF90Z-../DPE09XB4C	612	42800	120000
2.2	2.9	7200	2.6	508.5	BF90Z-../DPE09XB4C	612	42800	120000
2.2	2.5	8400	2.2	591.1	BF90Z-../DPE09XB4C	612	42800	120000
2.2	2.3	9100	2.0	658.1	BF90Z-../DPE09XB4C	612	42800	120000
2.2	2.0	10500	1.75	759.0	BF90Z-../DPE09XB4C	612	42800	120000
2.2	1.8	11600	1.6	845.1	BF90Z-../DPE09XB4C	612	42800	120000

The torques marked (*) are maximum permissible torques for service factor f_B=1.0.

BF-series shaft-mounted geared motors

Selection - shaft-mounted geared motors

2.2 kW



P _N [kW]	n ₂ [1/min]	50 Hz		i [:1]	Type	m [kg]	[N]	[N]
		M ₂ [Nm]	f _B [-]					
2.2	1.5	12400	1.5	976.1	BF90G50-../DPE09XB4C	624	42800	120000
2.2	1.4	13600	1.35	1043	BF90G50-../DPE09XB4C	624	42800	120000
2.2	1.3	14500	1.3	1204	BF90G50-../DPE09XB4C	624	42800	120000
2.2	1.1	17700	1.05	1444	BF90G50-../DPE09XB4C	624	42800	120000

3 kW



P _N [kW]	n ₂ [1/min]	50 Hz		i [:1]	Type	m [kg]	[N]	[N]
		M ₂ [Nm]	f _B [-]					
3	230	124	2.1	6.34	BF30-../DPE11LA4	78	2400	-
3	181	158	1.8	8.07	BF30-../DPE11LA4	78	2650	-
3	146	196	1.65	9.99	BF30-../DPE11LA4	78	2850	-
3	113	250	1.45	12.91	BF30-../DPE11LA4	78	3050	-
3	91	310	1.3	16.00	BF30-../DPE11LA4	78	3250	-
3	83	345	1.4	17.65	BF30-../DPE11LA4	78	3300	-
3	75	380	1.3	19.41	BF30-../DPE11LA4	78	3400	-
3	67	425	1.25	21.85	BF30-../DPE11LA4	78	3500	-
3	61	465	1.2	24.03	BF30-../DPE11LA4	78	3600	-
3	52	550	1.05	28.23	BF30-../DPE11LA4	78	3800	-
3	47	600	0.96	31.05	BF30-../DPE11LA4	78	4000	-
3	42	680	0.85	35.00	BF30-../DPE11LA4	78	4200	-
3	250	114	2.9	5.87	BF40-../DPE11LA4	92	3550	-
3	191	150	2.5	7.62	BF40-../DPE11LA4	92	3900	-
3	154	186	2.2	9.48	BF40-../DPE11LA4	92	4150	-
3	124	230	2.0	11.79	BF40-../DPE11LA4	92	4450	-
3	97	295	1.75	15.02	BF40-../DPE11LA4	92	4800	-
3	84	340	1.85	17.35	BF40-../DPE11LA4	92	4950	-
3	77	370	1.8	19.09	BF40-../DPE11LA4	92	5100	-
3	68	420	1.65	21.60	BF40-../DPE11LA4	92	5200	-
3	62	460	1.6	23.77	BF40-../DPE11LA4	92	5400	-
3	55	520	1.5	26.86	BF40-../DPE11LA4	92	5600	-
3	49.5	570	1.4	29.55	BF40-../DPE11LA4	92	5800	-
3	43	660	1.3	34.21	BF40-../DPE11LA4	92	6000	-
3	39	730	1.2	37.64	BF40-../DPE11LA4	92	6200	-
3	35.5	800	1.15	41.42	BF40-../DPE11LA4	92	6500	-
3	32	890	1.0	45.56	BF40-../DPE11LA4	92	6800	-
3	30	950	0.95	48.92	BF40-../DPE11LA4	92	7000	-
3	27.5	1040	0.87	53.82	BF40-../DPE11LA4	92	7200	-
3	137	205	3.3	10.68	BF50-../DPE11LA4	122	5600	-
3	100	285	2.8	14.65	BF50-../DPE11LA4	122	6100	-
3	88	325	2.9	16.70	BF50-../DPE11LA4	122	6200	-
3	78	365	2.7	18.68	BF50-../DPE11LA4	122	6400	-
3	63	450	2.5	23.14	BF50-../DPE11LA4	122	6800	-
3	57	500	2.3	25.88	BF50-../DPE11LA4	122	7100	-
3	46	620	2.0	31.73	BF50-../DPE11LA4	122	7500	-
3	41	690	1.9	35.49	BF50-../DPE11LA4	122	7800	-
3	35	810	1.6	42.15	BF50-../DPE11LA4	122	8500	-
3	31	920	1.4	47.14	BF50-../DPE11LA4	122	8900	-
3	26	1100	1.2	56.86	BF50-../DPE11LA4	122	9300	-
3	23	1240	1.05	63.59	BF50-../DPE11LA4	122	9800	-
3	20.5	1390	0.94	72.72	BF50-../DPE11LA4	122	10700	-
3	18	1590	0.82	81.33	BF50-../DPE11LA4	122	11300	-
3	47	600	3.2	31.20	BF60-../DPE11LA4	153	8800	24900
3	42.5	670	3.0	34.62	BF60-../DPE11LA4	153	9100	25700
3	35	810	2.6	41.60	BF60-../DPE11LA4	153	9600	27100
3	32	890	2.5	46.16	BF60-../DPE11LA4	153	9900	28000
3	27	1060	2.2	54.44	BF60-../DPE11LA4	153	10500	29700
3	24.5	1160	2.0	60.40	BF60-../DPE11LA4	153	11100	31400
3	20.5	1390	1.65	72.15	BF60-../DPE11LA4	153	12000	34000
3	18.5	1540	1.5	80.05	BF60-../DPE11LA4	153	12600	35600
3	16	1790	1.3	93.44	BF60-../DPE11LA4	153	13500	38200
3	14.5	1970	1.15	103.7	BF60-../DPE11LA4	153	14100	39900

The torques marked (*) are maximum permissible torques for service factor f_B=1.0.

BF-series shaft-mounted geared motors

Selection - shaft-mounted geared motors

3 kW								
P _N [kW]	n ₂ [1/min]	50 Hz		i [:1]	Type	m		
		M ₂ [Nm]	f _B [-]			[kg]	[N]	[N]
3	13	2200	1.05	113.1	BF60-../DPE11LA4	153	14600	41300
3	12	2350	0.98	125.5	BF60-../DPE11LA4	153	15300	43300
3	10.5	2700	0.85	140.8	BF60Z-../DPE11LA4	169	15300	43300
3	18	1590	3.3	81.82	BF70-../DPE11LA4	232	12800	41300
3	15.5	1840	2.8	95.46	BF70-../DPE11LA4	232	14000	43700
3	14	2000	2.6	105.2	BF70-../DPE11LA4	232	14700	45100
3	12	2350	2.2	122.7	BF70-../DPE11LA4	232	16100	47700
3	11	2600	2.0	133.0	BF70Z-../DPE11LA4	258	16100	47700
3	9.5	3000	1.75	154.0	BF70Z-../DPE11LA4	258	16100	47700
3	8.1	3500	1.5	179.7	BF70Z-../DPE11LA4	258	16100	47700
3	7.3	3900	1.35	199.7	BF70Z-../DPE11LA4	258	16100	47700
3	6.3	4500	1.15	233.0	BF70Z-../DPE11LA4	258	16100	47700
3	5.7	5000	1.05	258.7	BF70Z-../DPE11LA4	258	16100	47700
3	4.9	5800	0.9	301.8	BF70Z-../DPE11LA4	258	16100	47700
3	9.2	3100	3.1	158.5	BF80-../DPE11LA4	328	29000	75000
3	7.9	3600	2.6	184.5	BF80-../DPE11LA4	328	31800	75000
3	7.0	4050	2.3	209.4	BF80-../DPE11LA4	328	34300	75000
3	6.2	4600	2.1	237.1	BF80-../DPE11LA4	328	36900	75000
3	5.5	5200	1.85	269.1	BF80-../DPE11LA4	328	39600	75000
3	5.0	5700	1.85	291.7	BF80Z-../DPE11LA4	375	39600	75000
3	4.2	6800	1.55	347.3	BF80Z-../DPE11LA4	375	39600	75000
3	3.7	7700	1.35	394.2	BF80Z-../DPE11LA4	375	39600	75000
3	3.3	8600	1.2	450.4	BF80Z-../DPE11LA4	375	39600	75000
3	2.9	9800	1.05	511.2	BF80Z-../DPE11LA4	375	39600	75000
3	2.5	11400	0.92	583.4	BF80Z-../DPE11LA4	375	39600	75000
3	2.2	13000	0.81	662.1	BF80Z-../DPE11LA4	375	39600	75000
3	4.9	5800	3.2	300.4	BF90Z-../DPE11LA4	641	42800	120000
3	4.3	6600	2.8	343.6	BF90Z-../DPE11LA4	641	42800	120000
3	3.9	7300	2.5	382.6	BF90Z-../DPE11LA4	641	42800	120000
3	3.2	8900	2.1	456.7	BF90Z-../DPE11LA4	641	42800	120000
3	2.9	9800	1.9	508.5	BF90Z-../DPE11LA4	641	42800	120000
3	2.5	11400	1.6	591.1	BF90Z-../DPE11LA4	641	42800	120000
3	2.3	12400	1.5	658.1	BF90Z-../DPE11LA4	641	42800	120000
3	2.0	14300	1.3	759.0	BF90Z-../DPE11LA4	641	42800	120000
3	1.8	15900	1.15	845.1	BF90Z-../DPE11LA4	641	42800	120000
3	1.5	17500	1.05	976.1	BF90G50-../DPE11LA4	651	42800	120000
3	1.4	19000	0.97	1043	BF90G50-../DPE11LA4	651	42800	120000
3	1.3	20400	0.91	1204	BF90G50-../DPE11LA4	651	42800	120000



7

4 kW								
P _N [kW]	n ₂ [1/min]	50 Hz		i [:1]	Type	m		
		M ₂ [Nm]	f _B [-]			[kg]	[N]	[N]
4	230	166	1.6	6.34	BF30-../DPE11LB4	78	2400	-
4	180	210	1.35	8.07	BF30-../DPE11LB4	78	2650	-
4	146	260	1.25	9.99	BF30-../DPE11LB4	78	2850	-
4	113	335	1.1	12.91	BF30-../DPE11LB4	78	3050	-
4	91	415	0.98	16.00	BF30-../DPE11LB4	78	3250	-
4	83	460	1.05	17.65	BF30-../DPE11LB4	78	3300	-
4	75	500	1.0	19.41	BF30-../DPE11LB4	78	3400	-
4	67	570	0.93	21.85	BF30-../DPE11LB4	78	3500	-
4	61	620	0.89	24.03	BF30-../DPE11LB4	78	3600	-
4	250	152	2.2	5.87	BF40-../DPE11LB4	92	3550	-
4	191	200	1.85	7.62	BF40-../DPE11LB4	92	3900	-
4	153	245	1.7	9.48	BF40-../DPE11LB4	92	4150	-
4	123	310	1.5	11.79	BF40-../DPE11LB4	92	4450	-
4	97	390	1.35	15.02	BF40-../DPE11LB4	92	4800	-
4	84	450	1.4	17.35	BF40-../DPE11LB4	92	4950	-
4	76	500	1.35	19.09	BF40-../DPE11LB4	92	5100	-
4	68	560	1.25	21.60	BF40-../DPE11LB4	92	5200	-
4	62	610	1.2	23.77	BF40-../DPE11LB4	92	5400	-

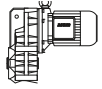


The torques marked (*) are maximum permissible torques for service factor f_B=1.0.

BF-series shaft-mounted geared motors

Selection - shaft-mounted geared motors

4 kW



P _N [kW]	n ₂ [1/min]	50 Hz		i [:1]	Type	m [kg]	[N]	[N]
		M ₂ [Nm]	f _B [-]					
4	54	700	1.1	26.86	BF40-../DPE11LB4	92	5600	-
4	49.5	770	1.05	29.55	BF40-../DPE11LB4	92	5800	-
4	42.5	890	0.96	34.21	BF40-../DPE11LB4	92	6000	-
4	39	970	0.92	37.64	BF40-../DPE11LB4	92	6200	-
4	35.5	1070	0.84	41.42	BF40-../DPE11LB4	92	6500	-
4	189	200	2.8	7.71	BF50-../DPE11LB4	122	5100	-
4	136	280	2.4	10.68	BF50-../DPE11LB4	122	5600	-
4	99	385	2.1	14.65	BF50-../DPE11LB4	122	6100	-
4	87	435	2.2	16.70	BF50-../DPE11LB4	122	6200	-
4	78	485	2.1	18.68	BF50-../DPE11LB4	122	6400	-
4	63	600	1.85	23.14	BF50-../DPE11LB4	122	6800	-
4	57	670	1.75	25.88	BF50-../DPE11LB4	122	7100	-
4	46	830	1.55	31.73	BF50-../DPE11LB4	122	7500	-
4	41	930	1.4	35.49	BF50-../DPE11LB4	122	7800	-
4	34.5	1100	1.2	42.15	BF50-../DPE11LB4	122	8500	-
4	31	1230	1.05	47.14	BF50-../DPE11LB4	122	8900	-
4	26	1460	0.89	56.86	BF50-../DPE11LB4	122	9300	-
4	102	370	3.2	14.24	BF60-../DPE11LB4	153	7100	20000
4	86	440	3.3	16.96	BF60-../DPE11LB4	153	7300	20600
4	78	485	3.1	18.81	BF60-../DPE11LB4	153	7600	21500
4	65	580	2.9	22.58	BF60-../DPE11LB4	153	8000	22600
4	58	650	2.7	25.05	BF60-../DPE11LB4	153	8200	23200
4	46.5	820	2.3	31.20	BF60-../DPE11LB4	153	8800	24900
4	42	900	2.2	34.62	BF60-../DPE11LB4	153	9100	25700
4	35	1090	1.95	41.60	BF60-../DPE11LB4	153	9600	27100
4	31.5	1210	1.85	46.16	BF60-../DPE11LB4	153	9900	28000
4	27	1410	1.65	54.44	BF60-../DPE11LB4	153	10500	29700
4	24.5	1550	1.5	60.40	BF60-../DPE11LB4	153	11100	31400
4	20.5	1860	1.25	72.15	BF60-../DPE11LB4	153	12000	34000
4	18.5	2050	1.1	80.05	BF60-../DPE11LB4	153	12600	35600
4	16	2350	0.98	93.44	BF60-../DPE11LB4	153	13500	38200
4	14	2700	0.85	103.7	BF60-../DPE11LB4	153	14100	39900
4	23.5	1620	3.2	61.94	BF70-../DPE11LB4	232	10800	37400
4	20.5	1860	2.8	72.26	BF70-../DPE11LB4	232	12000	39600
4	18	2100	2.5	81.82	BF70-../DPE11LB4	232	12800	41300
4	15.5	2450	2.1	95.46	BF70-../DPE11LB4	232	14000	43700
4	14	2700	1.95	105.2	BF70-../DPE11LB4	232	14700	45100
4	12	3150	1.65	122.7	BF70-../DPE11LB4	232	16100	47700
4	11	3450	1.5	133.0	BF70Z-../DPE11LB4	258	16100	47700
4	9.5	4000	1.3	154.0	BF70Z-../DPE11LB4	258	16100	47700
4	8.1	4700	1.1	179.7	BF70Z-../DPE11LB4	258	16100	47700
4	7.3	5200	1.0	199.7	BF70Z-../DPE11LB4	258	16100	47700
4	6.3	6000	0.87	233.0	BF70Z-../DPE11LB4	258	16100	47700
4	12	3150	3.0	122.4	BF80-../DPE11LB4	328	24500	75000
4	10.5	3600	2.6	139.7	BF80-../DPE11LB4	328	26700	75000
4	9.2	4150	2.3	158.5	BF80-../DPE11LB4	328	29000	75000
4	7.9	4800	2.0	184.5	BF80-../DPE11LB4	328	31800	75000
4	7.0	5400	1.75	209.4	BF80-../DPE11LB4	328	34300	75000
4	6.2	6100	1.55	237.1	BF80-../DPE11LB4	328	36900	75000
4	5.4	7000	1.35	269.1	BF80-../DPE11LB4	328	39600	75000
4	5.0	7600	1.4	291.7	BF80Z-../DPE11LB4	375	39600	75000
4	4.2	9000	1.15	347.3	BF80Z-../DPE11LB4	375	39600	75000
4	3.7	10300	1.0	394.2	BF80Z-../DPE11LB4	375	39600	75000
4	3.3	11500	0.91	450.4	BF80Z-../DPE11LB4	375	39600	75000
4	2.9	13100	0.8	511.2	BF80Z-../DPE11LB4	375	39600	75000
4	7.3	5200	3.2	198.8	BF90-../DPE11LB4	581	36000	111300
4	6.3	6000	2.8	232.6	BF90-../DPE11LB4	581	39900	118300
4	5.6	6800	2.5	259.0	BF90-../DPE11LB4	581	42800	120000
4	5.4	7000	2.6	269.8	BF90Z-../DPE11LB4	641	42800	120000
4	4.9	7700	2.4	300.4	BF90Z-../DPE11LB4	641	42800	120000
4	4.3	8800	2.1	343.6	BF90Z-../DPE11LB4	641	42800	120000
4	3.8	10000	1.85	382.6	BF90Z-../DPE11LB4	641	42800	120000
4	3.2	11900	1.55	456.7	BF90Z-../DPE11LB4	641	42800	120000
4	2.9	13100	1.4	508.5	BF90Z-../DPE11LB4	641	42800	120000
4	2.5	15200	1.2	591.1	BF90Z-../DPE11LB4	641	42800	120000

The torques marked (*) are maximum permissible torques for service factor f_B=1.0.

BF-series shaft-mounted geared motors

Selection - shaft-mounted geared motors

4 kW								
P _N	50 Hz			i	Type	m		
	n ₂	M ₂	f _B			[kg]	[N]	[N]
[kW]	[1/min]	[Nm]	[—]	[:1]				
4	2.3	16600	1.1	658.1	BF90Z-../DPE11LB4	641	42800	120000
4	2.0	19100	0.97	759.0	BF90Z-../DPE11LB4	641	42800	120000
4	1.8	21200	0.87	845.1	BF90Z-../DPE11LB4	641	42800	120000



5.5 kW								
P _N	50 Hz			i	Type	m		
	n ₂	M ₂	f _B			[kg]	[N]	[N]
[kW]	[1/min]	[Nm]	[—]	[:1]				
5.5	235	220	1.2	6.34	BF30-../DPE11LB4C	82	2400	-
5.5	182	285	1.0	8.07	BF30-../DPE11LB4C	82	2650	-
5.5	147	355	0.9	9.99	BF30-../DPE11LB4C	82	2850	-
5.5	114	460	0.8	12.91	BF30-../DPE11LB4C	82	3050	-
5.5	250	210	1.6	5.87	BF40-../DPE11LB4C	96	3550	-
5.5	193	270	1.35	7.62	BF40-../DPE11LB4C	96	3900	-
5.5	155	335	1.25	9.48	BF40-../DPE11LB4C	96	4150	-
5.5	125	420	1.1	11.79	BF40-../DPE11LB4C	96	4450	-
5.5	98	530	0.98	15.02	BF40-../DPE11LB4C	96	4800	-
5.5	85	610	1.05	17.35	BF40-../DPE11LB4C	96	4950	-
5.5	77	680	0.98	19.09	BF40-../DPE11LB4C	96	5100	-
5.5	68	770	0.91	21.60	BF40-../DPE11LB4C	96	5200	-
5.5	62	840	0.88	23.77	BF40-../DPE11LB4C	96	5400	-
5.5	55	950	0.82	26.86	BF40-../DPE11LB4C	96	5600	-
5.5	275	191	2.6	5.38	BF50-../DPE11LB4C	126	4500	-
5.5	191	275	2.1	7.71	BF50-../DPE11LB4C	126	5100	-
5.5	138	380	1.8	10.68	BF50-../DPE11LB4C	126	5600	-
5.5	100	520	1.5	14.65	BF50-../DPE11LB4C	126	6100	-
5.5	88	590	1.6	16.70	BF50-../DPE11LB4C	126	6200	-
5.5	79	660	1.5	18.68	BF50-../DPE11LB4C	126	6400	-
5.5	64	820	1.35	23.14	BF50-../DPE11LB4C	126	6800	-
5.5	57	920	1.25	25.88	BF50-../DPE11LB4C	126	7100	-
5.5	46.5	1120	1.15	31.73	BF50-../DPE11LB4C	126	7500	-
5.5	41.5	1260	1.05	35.49	BF50-../DPE11LB4C	126	7800	-
5.5	35	1500	0.87	42.15	BF50-../DPE11LB4C	126	8500	-
5.5	190	275	3.2	7.74	BF60-../DPE11LB4C	157	6000	16900
5.5	143	365	2.8	10.31	BF60-../DPE11LB4C	157	6500	18400
5.5	103	500	2.4	14.24	BF60-../DPE11LB4C	157	7100	20000
5.5	87	600	2.4	16.96	BF60-../DPE11LB4C	157	7300	20600
5.5	78	670	2.3	18.81	BF60-../DPE11LB4C	157	7600	21500
5.5	65	800	2.1	22.58	BF60-../DPE11LB4C	157	8000	22600
5.5	59	890	1.95	25.05	BF60-../DPE11LB4C	157	8200	23200
5.5	47	1110	1.7	31.20	BF60-../DPE11LB4C	157	8800	24900
5.5	42.5	1230	1.6	34.62	BF60-../DPE11LB4C	157	9100	25700
5.5	35.5	1470	1.45	41.60	BF60-../DPE11LB4C	157	9600	27100
5.5	32	1640	1.35	46.16	BF60-../DPE11LB4C	157	9900	28000
5.5	27	1940	1.2	54.44	BF60-../DPE11LB4C	157	10500	29700
5.5	24.5	2100	1.1	60.40	BF60-../DPE11LB4C	157	11100	31400
5.5	20.5	2550	0.9	72.15	BF60-../DPE11LB4C	157	12000	34000
5.5	18.5	2800	0.82	80.05	BF60-../DPE11LB4C	157	12600	35600
5.5	31	1690	3.1	47.82	BF70-../DPE11LB4C	236	9100	34000
5.5	26.5	1980	2.6	55.79	BF70-../DPE11LB4C	236	10200	36000
5.5	24	2150	2.4	61.94	BF70-../DPE11LB4C	236	10800	37400
5.5	20.5	2550	2.0	72.26	BF70-../DPE11LB4C	236	12000	39600
5.5	18	2900	1.8	81.82	BF70-../DPE11LB4C	236	12800	41300
5.5	15.5	3350	1.55	95.46	BF70-../DPE11LB4C	236	14000	43700
5.5	14	3750	1.4	105.2	BF70-../DPE11LB4C	236	14700	45100
5.5	12	4350	1.2	122.7	BF70-../DPE11LB4C	236	16100	47700
5.5	11.5	4550	1.15	133.0	BF70Z-../DPE11LB4C	262	16100	47700
5.5	9.6	5400	0.96	154.0	BF70Z-../DPE11LB4C	262	16100	47700
5.5	8.2	6400	0.81	179.7	BF70Z-../DPE11LB4C	262	16100	47700
5.5	18	2900	3.3	83.16	BF80-../DPE11LB4C	332	18400	65100



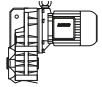
7

The torques marked (*) are maximum permissible torques for service factor f_B=1.0.

BF-series shaft-mounted geared motors

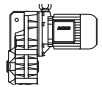
Selection - shaft-mounted geared motors

5.5 kW



P _N [kW]	n ₂ [1/min]	50 Hz		i [:1]	Type	m		
		M ₂ [Nm]	f _B [—]			[kg]	[N]	[N]
5.5	16	3250	2.9	94.38	BF80-../DPE11LB4C	332	20300	68500
5.5	14	3750	2.5	107.9	BF80-../DPE11LB4C	332	22400	72300
5.5	12	4350	2.2	122.4	BF80-../DPE11LB4C	332	24500	75000
5.5	10.5	5000	1.9	139.7	BF80-../DPE11LB4C	332	26700	75000
5.5	9.3	5600	1.7	158.5	BF80-../DPE11LB4C	332	29000	75000
5.5	8.0	6500	1.45	184.5	BF80-../DPE11LB4C	332	31800	75000
5.5	7.0	7500	1.25	209.4	BF80-../DPE11LB4C	332	34300	75000
5.5	6.2	8400	1.15	237.1	BF80-../DPE11LB4C	332	36900	75000
5.5	5.5	9500	1.0	269.1	BF80-../DPE11LB4C	332	39600	75000
5.5	5.1	10200	1.05	291.7	BF80Z-../DPE11LB4C	379	39600	75000
5.5	4.3	12200	0.86	347.3	BF80Z-../DPE11LB4C	379	39600	75000
5.5	9.5	5500	3.1	154.8	BF90-../DPE11LB4C	585	30100	100800
5.5	8.3	6300	2.7	178.6	BF90-../DPE11LB4C	585	33400	106700
5.5	7.4	7000	2.4	198.8	BF90-../DPE11LB4C	585	36000	111300
5.5	6.3	8300	2.0	232.6	BF90-../DPE11LB4C	585	39900	118300
5.5	5.7	9200	1.85	259.0	BF90-../DPE11LB4C	585	42800	120000
5.5	5.5	9500	1.95	269.8	BF90Z-../DPE11LB4C	645	42800	120000
5.5	4.9	10700	1.75	300.4	BF90Z-../DPE11LB4C	645	42800	120000
5.5	4.3	12200	1.5	343.6	BF90Z-../DPE11LB4C	645	42800	120000
5.5	3.9	13400	1.4	382.6	BF90Z-../DPE11LB4C	645	42800	120000
5.5	3.3	15900	1.15	456.7	BF90Z-../DPE11LB4C	645	42800	120000
5.5	2.9	18100	1.0	508.5	BF90Z-../DPE11LB4C	645	42800	120000
5.5	2.5	21000	0.88	591.1	BF90Z-../DPE11LB4C	645	42800	120000
5.5	2.3	22800	0.81	658.1	BF90Z-../DPE11LB4C	645	42800	120000

7.5 kW



P _N [kW]	n ₂ [1/min]	50 Hz		i [:1]	Type	m		
		M ₂ [Nm]	f _B [—]			[kg]	[N]	[N]
7.5	275	260	1.9	5.38	BF50-../DPE13XA4	137	4500	-
7.5	190	375	1.5	7.71	BF50-../DPE13XA4	137	5100	-
7.5	137	520	1.3	10.68	BF50-../DPE13XA4	137	5600	-
7.5	100	710	1.1	14.65	BF50-../DPE13XA4	137	6100	-
7.5	88	810	1.15	16.70	BF50-../DPE13XA4	137	6200	-
7.5	79	900	1.1	18.68	BF50-../DPE13XA4	137	6400	-
7.5	64	1110	1.0	23.14	BF50-../DPE13XA4	137	6800	-
7.5	57	1250	0.93	25.88	BF50-../DPE13XA4	137	7100	-
7.5	46.5	1540	0.82	31.73	BF50-../DPE13XA4	137	7500	-
7.5	280	255	3.0	5.22	BF60-../DPE13XA4	170	5200	14800
7.5	189	375	2.3	7.74	BF60-../DPE13XA4	170	6000	16900
7.5	142	500	2.0	10.31	BF60-../DPE13XA4	170	6500	18400
7.5	103	690	1.75	14.24	BF60-../DPE13XA4	170	7100	20000
7.5	87	820	1.75	16.96	BF60-../DPE13XA4	170	7300	20600
7.5	78	910	1.65	18.81	BF60-../DPE13XA4	170	7600	21500
7.5	65	1100	1.5	22.58	BF60-../DPE13XA4	170	8000	22600
7.5	59	1210	1.45	25.05	BF60-../DPE13XA4	170	8200	23200
7.5	47	1520	1.25	31.20	BF60-../DPE13XA4	170	8800	24900
7.5	42.5	1680	1.2	34.62	BF60-../DPE13XA4	170	9100	25700
7.5	35.5	2000	1.05	41.60	BF60-../DPE13XA4	170	9600	27100
7.5	32	2200	1.0	46.16	BF60-../DPE13XA4	170	9900	28000
7.5	27	2650	0.87	54.44	BF60-../DPE13XA4	170	10500	29700
7.5	40	1790	2.9	36.88	BF70-../DPE13XA4	249	7900	31100
7.5	34	2100	2.5	43.02	BF70-../DPE13XA4	249	8700	32800
7.5	31	2300	2.3	47.82	BF70-../DPE13XA4	249	9100	34000
7.5	26.5	2700	1.95	55.79	BF70-../DPE13XA4	249	10200	36000
7.5	24	2950	1.75	61.94	BF70-../DPE13XA4	249	10800	37400
7.5	20.5	3450	1.5	72.26	BF70-../DPE13XA4	249	12000	39600
7.5	18	3950	1.3	81.82	BF70-../DPE13XA4	249	12800	41300
7.5	15.5	4600	1.15	95.46	BF70-../DPE13XA4	249	14000	43700
7.5	14	5100	1.0	105.2	BF70-../DPE13XA4	249	14700	45100
7.5	12	5900	0.88	122.7	BF70-../DPE13XA4	249	16100	47700
7.5	11	6500	0.8	133.0	BF70Z-../DPE13XA4	274	16100	47700

The torques marked (*) are maximum permissible torques for service factor f_B=1.0.

BF-series shaft-mounted geared motors

Selection - shaft-mounted geared motors

7.5 kW



P _N [kW]	n ₂ [1/min]	50 Hz		i [:1]	Type	m		
		M ₂ [Nm]	f _B [—]			[kg]	[N]	[N]
7.5	24	2950	3.2	61.55	BF80-../DPE13XA4	345	14800	58100
7.5	21	3400	2.8	69.86	BF80-../DPE13XA4	345	15900	60600
7.5	18	3950	2.4	83.16	BF80-../DPE13XA4	345	18400	65100
7.5	15.5	4600	2.1	94.38	BF80-../DPE13XA4	345	20300	68500
7.5	14	5100	1.85	107.9	BF80-../DPE13XA4	345	22400	72300
7.5	12	5900	1.6	122.4	BF80-../DPE13XA4	345	24500	75000
7.5	10.5	6800	1.4	139.7	BF80-../DPE13XA4	345	26700	75000
7.5	9.3	7700	1.25	158.5	BF80-../DPE13XA4	345	29000	75000
7.5	8.0	8900	1.05	184.5	BF80-../DPE13XA4	345	31800	75000
7.5	7.0	10200	0.93	209.4	BF80-../DPE13XA4	345	34300	75000
7.5	6.2	11500	0.83	237.1	BF80-../DPE13XA4	345	36900	75000
7.5	14	5100	3.3	107.5	BF90-../DPE13XA4	597	22300	86900
7.5	12.5	5700	2.9	119.7	BF90-../DPE13XA4	597	24500	90800
7.5	10.5	6800	2.5	139.1	BF90-../DPE13XA4	597	27700	96300
7.5	9.5	7500	2.2	154.8	BF90-../DPE13XA4	597	30100	100800
7.5	8.2	8700	1.95	178.6	BF90-../DPE13XA4	597	33400	106700
7.5	7.4	9600	1.75	198.8	BF90-../DPE13XA4	597	36000	111300
7.5	6.3	11300	1.5	232.6	BF90-../DPE13XA4	597	39900	118300
7.5	5.7	12500	1.35	259.0	BF90-../DPE13XA4	597	42800	120000
7.5	5.5	13000	1.4	269.8	BF90Z-../DPE13XA4	658	42800	120000
7.5	4.9	14600	1.25	300.4	BF90Z-../DPE13XA4	658	42800	120000
7.5	4.3	16600	1.1	343.6	BF90Z-../DPE13XA4	658	42800	120000
7.5	3.9	18300	1.0	382.6	BF90Z-../DPE13XA4	658	42800	120000
7.5	3.2	22300	0.83	456.7	BF90Z-../DPE13XA4	658	42800	120000

9.5 kW



P _N [kW]	n ₂ [1/min]	50 Hz		i [:1]	Type	m		
		M ₂ [Nm]	f _B [—]			[kg]	[N]	[N]
9.5	275	325	1.55	5.38	BF50-../DPE16LB4	173	4500	-
9.5	192	470	1.2	7.71	BF50-../DPE16LB4	173	5100	-
9.5	139	650	1.05	10.68	BF50-../DPE16LB4	173	5600	-
9.5	101	890	0.89	14.65	BF50-../DPE16LB4	173	6100	-
9.5	89	1010	0.94	16.70	BF50-../DPE16LB4	173	6200	-
9.5	79	1140	0.88	18.68	BF50-../DPE16LB4	173	6400	-
9.5	285	315	2.4	5.22	BF60-../DPE16LB4	206	5200	14800
9.5	191	475	1.85	7.74	BF60-../DPE16LB4	206	6000	16900
9.5	144	630	1.6	10.31	BF60-../DPE16LB4	206	6500	18400
9.5	104	870	1.35	14.24	BF60-../DPE16LB4	206	7100	20000
9.5	87	1040	1.4	16.96	BF60-../DPE16LB4	206	7300	20600
9.5	79	1140	1.35	18.81	BF60-../DPE16LB4	206	7600	21500
9.5	66	1370	1.2	22.58	BF60-../DPE16LB4	206	8000	22600
9.5	59	1530	1.15	25.05	BF60-../DPE16LB4	206	8200	23200
9.5	47.5	1910	0.99	31.20	BF60-../DPE16LB4	206	8800	24900
9.5	43	2100	0.95	34.62	BF60-../DPE16LB4	206	9100	25700
9.5	35.5	2550	0.84	41.60	BF60-../DPE16LB4	206	9600	27100
9.5	32	2800	0.8	46.16	BF60-../DPE16LB4	206	9900	28000
9.5	55	1640	3.2	27.29	BF70-../DPE16LB4	289	7000	28400
9.5	46.5	1950	2.7	31.84	BF70-../DPE16LB4	289	7700	30000
9.5	40	2250	2.3	36.88	BF70-../DPE16LB4	289	7900	31100
9.5	34.5	2600	2.0	43.02	BF70-../DPE16LB4	289	8700	32800
9.5	31	2900	1.8	47.82	BF70-../DPE16LB4	289	9100	34000
9.5	26.5	3400	1.55	55.79	BF70-../DPE16LB4	289	10200	36000
9.5	24	3750	1.4	61.94	BF70-../DPE16LB4	289	10800	37400
9.5	20.5	4400	1.2	72.26	BF70-../DPE16LB4	289	12000	39600
9.5	18.5	4900	1.05	81.82	BF70-../DPE16LB4	289	12800	41300
9.5	15.5	5800	0.9	95.46	BF70-../DPE16LB4	289	14000	43700
9.5	14.5	6200	0.84	105.2	BF70-../DPE16LB4	289	14700	45100
9.5	31.5	2850	3.0	47.46	BF80-../DPE16LB4	385	13400	53700
9.5	27.5	3250	2.8	53.86	BF80-../DPE16LB4	385	14000	55800
9.5	24	3750	2.5	61.55	BF80-../DPE16LB4	385	14800	58100

The torques marked (*) are maximum permissible torques for service factor f_B=1.0.

BF-series shaft-mounted geared motors

Selection - shaft-mounted geared motors

9.5 kW



P _N [kW]	n ₂ [1/min]	50 Hz		i [:1]	Type	m		
		M ₂ [Nm]	f _B [—]			[kg]	[N]	[N]
9.5	21.5	4200	2.3	69.86	BF80-../DPE16LB4	385	15900	60600
9.5	18	5000	1.9	83.16	BF80-../DPE16LB4	385	18400	65100
9.5	16	5600	1.7	94.38	BF80-../DPE16LB4	385	20300	68500
9.5	14	6400	1.5	107.9	BF80-../DPE16LB4	385	22400	72300
9.5	12.5	7200	1.3	122.4	BF80-../DPE16LB4	385	24500	75000
9.5	11	8200	1.15	139.7	BF80-../DPE16LB4	385	26700	75000
9.5	9.4	9600	0.99	158.5	BF80-../DPE16LB4	385	29000	75000
9.5	8.0	11300	0.84	184.5	BF80-../DPE16LB4	385	31800	75000
9.5	16.5	5400	3.1	90.02	BF90-../DPE16LB4	632	18900	80600
9.5	14	6400	2.6	107.5	BF90-../DPE16LB4	632	22300	86900
9.5	12.5	7200	2.3	119.7	BF90-../DPE16LB4	632	24500	90800
9.5	11	8200	2.0	139.1	BF90-../DPE16LB4	632	27700	96300
9.5	9.6	9400	1.8	154.8	BF90-../DPE16LB4	632	30100	100800
9.5	8.3	10900	1.55	178.6	BF90-../DPE16LB4	632	33400	106700
9.5	7.5	12000	1.4	198.8	BF90-../DPE16LB4	632	36000	111300
9.5	6.4	14100	1.2	232.6	BF90-../DPE16LB4	632	39900	118300
9.5	5.7	15900	1.05	259.0	BF90-../DPE16LB4	632	42800	120000
9.5	5.5	16400	1.15	269.8	BF90Z-../DPE16LB4	694	42800	120000
9.5	5.0	18100	1.0	300.4	BF90Z-../DPE16LB4	694	42800	120000
9.5	4.3	21000	0.88	343.6	BF90Z-../DPE16LB4	694	42800	120000
9.5	3.9	23200	0.8	382.6	BF90Z-../DPE16LB4	694	42800	120000

7

11 kW



P _N [kW]	n ₂ [1/min]	50 Hz		i [:1]	Type	m		
		M ₂ [Nm]	f _B [—]			[kg]	[N]	[N]
11	275	380	1.3	5.38	BF50-../DPE16LB4	173	4500	-
11	192	540	1.05	7.71	BF50-../DPE16LB4	173	5100	-
11	139	750	0.9	10.68	BF50-../DPE16LB4	173	5600	-
11	89	1180	0.81	16.70	BF50-../DPE16LB4	173	6200	-
11	285	365	2.1	5.22	BF60-../DPE16LB4	206	5200	14800
11	191	550	1.6	7.74	BF60-../DPE16LB4	206	6000	16900
11	144	720	1.4	10.31	BF60-../DPE16LB4	206	6500	18400
11	104	1010	1.2	14.24	BF60-../DPE16LB4	206	7100	20000
11	87	1200	1.2	16.96	BF60-../DPE16LB4	206	7300	20600
11	79	1320	1.15	18.81	BF60-../DPE16LB4	206	7600	21500
11	66	1590	1.05	22.58	BF60-../DPE16LB4	206	8000	22600
11	59	1780	0.97	25.05	BF60-../DPE16LB4	206	8200	23200
11	47.5	2200	0.86	31.20	BF60-../DPE16LB4	206	8800	24900
11	43	2400	0.83	34.62	BF60-../DPE16LB4	206	9100	25700
11	71	1470	3.1	21.04	BF70-../DPE16LB4	289	6400	26300
11	61	1720	2.9	24.55	BF70-../DPE16LB4	289	7000	27700
11	55	1910	2.7	27.29	BF70-../DPE16LB4	289	7000	28400
11	46.5	2250	2.3	31.84	BF70-../DPE16LB4	289	7700	30000
11	40	2600	2.0	36.88	BF70-../DPE16LB4	289	7900	31100
11	34.5	3000	1.75	43.02	BF70-../DPE16LB4	289	8700	32800
11	31	3350	1.55	47.82	BF70-../DPE16LB4	289	9100	34000
11	26.5	3950	1.3	55.79	BF70-../DPE16LB4	289	10200	36000
11	24	4350	1.2	61.94	BF70-../DPE16LB4	289	10800	37400
11	20.5	5100	1.0	72.26	BF70-../DPE16LB4	289	12000	39600
11	18.5	5600	0.93	81.82	BF70-../DPE16LB4	289	12800	41300
11	44	2350	3.3	33.61	BF80-../DPE16LB4	385	11700	48400
11	39	2650	3.0	38.14	BF80-../DPE16LB4	385	12200	50300
11	31.5	3300	2.6	47.46	BF80-../DPE16LB4	385	13400	53700
11	27.5	3800	2.4	53.86	BF80-../DPE16LB4	385	14000	55800
11	24	4350	2.1	61.55	BF80-../DPE16LB4	385	14800	58100
11	21.5	4850	1.95	69.86	BF80-../DPE16LB4	385	15900	60600
11	18	5800	1.65	83.16	BF80-../DPE16LB4	385	18400	65100
11	16	6500	1.45	94.38	BF80-../DPE16LB4	385	20300	68500
11	14	7500	1.25	107.9	BF80-../DPE16LB4	385	22400	72300
11	12.5	8400	1.15	122.4	BF80-../DPE16LB4	385	24500	75000

The torques marked (*) are maximum permissible torques for service factor f_B=1.0.

BF-series shaft-mounted geared motors

Selection - shaft-mounted geared motors

11 kW								
P _N	n ₂	50 Hz		i	Type	m	[N]	[N]
		[kW]	[1/min]					
		[Nm]	[-]	[:1]		[kg]		
11	11	9500	1.0	139.7	BF80-../DPE16LB4	385	26700	75000
11	9.4	11100	0.86	158.5	BF80-../DPE16LB4	385	29000	75000
11	21	5000	3.2	70.69	BF90-../DPE16LB4	632	16800	74700
11	18.5	5600	3.0	80.85	BF90-../DPE16LB4	632	17500	77500
11	16.5	6300	2.7	90.02	BF90-../DPE16LB4	632	18900	80600
11	14	7500	2.2	107.5	BF90-../DPE16LB4	632	22300	86900
11	12.5	8400	2.0	119.7	BF90-../DPE16LB4	632	24500	90800
11	11	9500	1.75	139.1	BF90-../DPE16LB4	632	27700	96300
11	9.6	10900	1.55	154.8	BF90-../DPE16LB4	632	30100	100800
11	8.3	12600	1.35	178.6	BF90-../DPE16LB4	632	33400	106700
11	7.5	14000	1.2	198.8	BF90-../DPE16LB4	632	36000	111300
11	6.4	16400	1.0	232.6	BF90-../DPE16LB4	632	39900	118300
11	5.7	18400	0.91	259.0	BF90-../DPE16LB4	632	42800	120000
11	5.5	19100	0.97	269.8	BF90Z-../DPE16LB4	694	42800	120000
11	5.0	21000	0.88	300.4	BF90Z-../DPE16LB4	694	42800	120000



7

15 kW								
P _N	n ₂	50 Hz		i	Type	m	[N]	[N]
		[kW]	[1/min]					
		[Nm]	[-]	[:1]		[kg]		
15	275	520	0.96	5.38	BF50-../DPE16XB4	183	4500	-
15	285	500	1.5	5.22	BF60-../DPE16XB4	216	5200	14800
15	191	750	1.15	7.74	BF60-../DPE16XB4	216	6000	16900
15	144	990	1.0	10.31	BF60-../DPE16XB4	216	6500	18400
15	104	1370	0.87	14.24	BF60-../DPE16XB4	216	7100	20000
15	87	1640	0.88	16.96	BF60-../DPE16XB4	216	7300	20600
15	79	1810	0.84	18.81	BF60-../DPE16XB4	216	7600	21500
15	99	1440	2.5	14.90	BF70-../DPE16XB4	299	5900	24000
15	85	1680	2.5	17.39	BF70-../DPE16XB4	299	6200	25000
15	71	2000	2.3	21.04	BF70-../DPE16XB4	299	6400	26300
15	61	2300	2.2	24.55	BF70-../DPE16XB4	299	7000	27700
15	55	2600	2.0	27.29	BF70-../DPE16XB4	299	7000	28400
15	46.5	3050	1.7	31.84	BF70-../DPE16XB4	299	7700	30000
15	40	3550	1.45	36.88	BF70-../DPE16XB4	299	7900	31100
15	34.5	4150	1.25	43.02	BF70-../DPE16XB4	299	8700	32800
15	31	4600	1.15	47.82	BF70-../DPE16XB4	299	9100	34000
15	26.5	5400	0.96	55.79	BF70-../DPE16XB4	299	10200	36000
15	24	5900	0.88	61.94	BF70-../DPE16XB4	299	10800	37400
15	90	1590	3.3	16.49	BF80-../DPE16XB4	395	11400	41400
15	64	2200	2.9	23.29	BF80-../DPE16XB4	395	11800	44900
15	49	2900	2.5	30.21	BF80-../DPE16XB4	395	12300	47900
15	44	3250	2.4	33.61	BF80-../DPE16XB4	395	11700	48400
15	39	3650	2.2	38.14	BF80-../DPE16XB4	395	12200	50300
15	31.5	4500	1.9	47.46	BF80-../DPE16XB4	395	13400	53700
15	27.5	5200	1.7	53.86	BF80-../DPE16XB4	395	14000	55800
15	24	5900	1.6	61.55	BF80-../DPE16XB4	395	14800	58100
15	21.5	6600	1.45	69.86	BF80-../DPE16XB4	395	15900	60600
15	18	7900	1.2	83.16	BF80-../DPE16XB4	395	18400	65100
15	16	8900	1.05	94.38	BF80-../DPE16XB4	395	20300	68500
15	14	10200	0.93	107.9	BF80-../DPE16XB4	395	22400	72300
15	12.5	11400	0.83	122.4	BF80-../DPE16XB4	395	24500	75000
15	32	4450	3.2	46.43	BF90-../DPE16XB4	642	13800	65500
15	29	4900	2.9	51.70	BF90-../DPE16XB4	642	14600	67800
15	23.5	6000	2.6	63.49	BF90-../DPE16XB4	642	15800	72000
15	21	6800	2.3	70.69	BF90-../DPE16XB4	642	16800	74700
15	18.5	7700	2.1	80.85	BF90-../DPE16XB4	642	17500	77500
15	16.5	8600	1.95	90.02	BF90-../DPE16XB4	642	18900	80600
15	14	10200	1.65	107.5	BF90-../DPE16XB4	642	22300	86900
15	12.5	11400	1.45	119.7	BF90-../DPE16XB4	642	24500	90800
15	11	13000	1.3	139.1	BF90-../DPE16XB4	642	27700	96300



The torques marked (*) are maximum permissible torques for service factor f_B=1.0.

BF-series shaft-mounted geared motors

Selection - shaft-mounted geared motors

15 kW



P _N [kW]	n ₂ [1/min]	50 Hz		i [:1]	Type	m		
		M ₂ [Nm]	f _B [—]			[kg]	[N]	[N]
15	9.6	14900	1.15	154.8	BF90-../DPE16XB4	642	30100	100800
15	8.3	17200	0.98	178.6	BF90-../DPE16XB4	642	33400	106700
15	7.5	19100	0.88	198.8	BF90-../DPE16XB4	642	36000	111300

18.5 kW



P _N [kW]	n ₂ [1/min]	50 Hz		i [:1]	Type	m		
		M ₂ [Nm]	f _B [—]			[kg]	[N]	[N]
18.5	285	610	1.25	5.22	BF60-../DPE18LB4	263	5200	14800
18.5	192	920	0.94	7.74	BF60-../DPE18LB4	263	6000	16900
18.5	144	1220	0.83	10.31	BF60-../DPE18LB4	263	6500	18400
18.5	144	1220	2.1	10.32	BF70-../DPE18LB4	340	4600	18700
18.5	123	1430	2.1	12.04	BF70-../DPE18LB4	340	4900	19700
18.5	100	1760	2.1	14.90	BF70-../DPE18LB4	340	5900	24000
18.5	86	2050	2.1	17.39	BF70-../DPE18LB4	340	6200	25000
18.5	71	2450	1.9	21.04	BF70-../DPE18LB4	340	6400	26300
18.5	61	2850	1.75	24.55	BF70-../DPE18LB4	340	7000	27700
18.5	55	3200	1.65	27.29	BF70-../DPE18LB4	340	7000	28400
18.5	46.5	3750	1.4	31.84	BF70-../DPE18LB4	340	7700	30000
18.5	40.5	4350	1.2	36.88	BF70-../DPE18LB4	340	7900	31100
18.5	34.5	5100	1.0	43.02	BF70-../DPE18LB4	340	8700	32800
18.5	31	5600	0.93	47.82	BF70-../DPE18LB4	340	9100	34000
18.5	27	6500	0.8	55.79	BF70-../DPE18LB4	340	10200	36000
18.5	130	1350	2.7	11.42	BF80-../DPE18LB4	436	8900	32200
18.5	90	1960	2.7	16.49	BF80-../DPE18LB4	436	11400	41400
18.5	64	2750	2.3	23.29	BF80-../DPE18LB4	436	11800	44900
18.5	49	3600	2.0	30.21	BF80-../DPE18LB4	436	12300	47900
18.5	44.5	3950	1.95	33.61	BF80-../DPE18LB4	436	11700	48400
18.5	39	4500	1.8	38.14	BF80-../DPE18LB4	436	12200	50300
18.5	31.5	5600	1.55	47.46	BF80-../DPE18LB4	436	13400	53700
18.5	27.5	6400	1.4	53.86	BF80-../DPE18LB4	436	14000	55800
18.5	24.5	7200	1.3	61.55	BF80-../DPE18LB4	436	14800	58100
18.5	21.5	8200	1.15	69.86	BF80-../DPE18LB4	436	15900	60600
18.5	18	9800	0.97	83.16	BF80-../DPE18LB4	436	18400	65100
18.5	16	11000	0.86	94.38	BF80-../DPE18LB4	436	20300	68500
18.5	44	4000	3.2	33.71	BF90-../DPE18LB4	688	11900	59300
18.5	39.5	4450	3.0	37.54	BF90-../DPE18LB4	688	12700	61500
18.5	32	5500	2.6	46.43	BF90-../DPE18LB4	688	13800	65500
18.5	29	6000	2.4	51.70	BF90-../DPE18LB4	688	14600	67800
18.5	23.5	7500	2.1	63.49	BF90-../DPE18LB4	688	15800	72000
18.5	21	8400	1.9	70.69	BF90-../DPE18LB4	688	16800	74700
18.5	18.5	9500	1.75	80.85	BF90-../DPE18LB4	688	17500	77500
18.5	16.5	10700	1.55	90.02	BF90-../DPE18LB4	688	18900	80600
18.5	14	12600	1.35	107.5	BF90-../DPE18LB4	688	22300	86900
18.5	12.5	14100	1.2	119.7	BF90-../DPE18LB4	688	24500	90800
18.5	11	16000	1.05	139.1	BF90-../DPE18LB4	688	27700	96300
18.5	9.6	18400	0.91	154.8	BF90-../DPE18LB4	688	30100	100800

22 kW



P _N [kW]	n ₂ [1/min]	50 Hz		i [:1]	Type	m		
		M ₂ [Nm]	f _B [—]			[kg]	[N]	[N]
22	285	730	1.05	5.22	BF60-../DPE18XB4	281	5200	14800
22	143	1460	1.7	10.32	BF70-../DPE18XB4	358	4600	18700
22	123	1700	1.75	12.04	BF70-../DPE18XB4	358	4900	19700
22	99	2100	1.75	14.90	BF70-../DPE18XB4	358	5900	24000

The torques marked (*) are maximum permissible torques for service factor f_B=1.0.

BF-series shaft-mounted geared motors

Selection - shaft-mounted geared motors

22 kW



P _N [kW]	n ₂ [1/min]	50 Hz		i [:1]	Type	m		
		M ₂ [Nm]	f _B [—]			[kg]	[N]	[N]
22	85	2450	1.75	17.39	BF70-../DPE18XB4	358	6200	25000
22	71	2950	1.55	21.04	BF70-../DPE18XB4	358	6400	26300
22	61	3400	1.5	24.55	BF70-../DPE18XB4	358	7000	27700
22	55	3800	1.35	27.29	BF70-../DPE18XB4	358	7000	28400
22	46.5	4500	1.15	31.84	BF70-../DPE18XB4	358	7700	30000
22	40	5200	1.0	36.88	BF70-../DPE18XB4	358	7900	31100
22	34.5	6000	0.87	43.02	BF70-../DPE18XB4	358	8700	32800
22	130	1610	2.3	11.42	BF80-../DPE18XB4	454	8900	32200
22	90	2300	2.3	16.49	BF80-../DPE18XB4	454	11400	41400
22	64	3250	1.95	23.29	BF80-../DPE18XB4	454	11800	44900
22	49	4250	1.65	30.21	BF80-../DPE18XB4	454	12300	47900
22	44	4750	1.65	33.61	BF80-../DPE18XB4	454	11700	48400
22	39	5300	1.5	38.14	BF80-../DPE18XB4	454	12200	50300
22	31.5	6600	1.3	47.46	BF80-../DPE18XB4	454	13400	53700
22	27.5	7600	1.2	53.86	BF80-../DPE18XB4	454	14000	55800
22	24	8700	1.05	61.55	BF80-../DPE18XB4	454	14800	58100
22	21.5	9700	0.98	69.86	BF80-../DPE18XB4	454	15900	60600
22	18	11600	0.82	83.16	BF80-../DPE18XB4	454	18400	65100
22	44	4750	2.7	33.71	BF90-../DPE18XB4	706	11900	59300
22	39.5	5300	2.5	37.54	BF90-../DPE18XB4	706	12700	61500
22	32	6500	2.2	46.43	BF90-../DPE18XB4	706	13800	65500
22	29	7200	2.0	51.70	BF90-../DPE18XB4	706	14600	67800
22	23.5	8900	1.75	63.49	BF90-../DPE18XB4	706	15800	72000
22	21	10000	1.6	70.69	BF90-../DPE18XB4	706	16800	74700
22	18.5	11300	1.45	80.85	BF90-../DPE18XB4	706	17500	77500
22	16.5	12700	1.3	90.02	BF90-../DPE18XB4	706	18900	80600
22	14	15000	1.1	107.5	BF90-../DPE18XB4	706	22300	86900
22	12.5	16800	1.0	119.7	BF90-../DPE18XB4	706	24500	90800
22	11	19100	0.88	139.1	BF90-../DPE18XB4	706	27700	96300

30 kW



P _N [kW]	n ₂ [1/min]	50 Hz		i [:1]	Type	m		
		M ₂ [Nm]	f _B [—]			[kg]	[N]	[N]
30	144	1980	1.25	10.32	BF70-../DPE20XA4	513	4600	18700
30	123	2300	1.3	12.04	BF70-../DPE20XA4	513	4900	19700
30	100	2850	1.3	14.90	BF70-../DPE20XA4	513	5900	24000
30	86	3300	1.3	17.39	BF70-../DPE20XA4	513	6200	25000
30	71	4000	1.15	21.04	BF70-../DPE20XA4	513	6400	26300
30	61	4650	1.1	24.55	BF70-../DPE20XA4	513	7000	27700
30	55	5200	1.0	27.29	BF70-../DPE20XA4	513	7000	28400
30	46.5	6100	0.85	31.84	BF70-../DPE20XA4	513	7700	30000
30	130	2200	1.65	11.42	BF80-../DPE20XA4	609	8900	32200
30	90	3150	1.7	16.49	BF80-../DPE20XA4	609	11400	41400
30	64	4450	1.4	23.29	BF80-../DPE20XA4	609	11800	44900
30	49	5800	1.25	30.21	BF80-../DPE20XA4	609	12300	47900
30	44.5	6400	1.2	33.61	BF80-../DPE20XA4	609	11700	48400
30	39	7300	1.1	38.14	BF80-../DPE20XA4	609	12200	50300
30	31.5	9000	0.96	47.46	BF80-../DPE20XA4	609	13400	53700
30	27.5	10400	0.86	53.86	BF80-../DPE20XA4	609	14000	55800
30	24.5	11600	0.8	61.55	BF80-../DPE20XA4	609	14800	58100
30	119	2400	3.0	12.45	BF90-../DPE20XA4	859	8000	39700
30	86	3300	3.1	17.39	BF90-../DPE20XA4	859	10000	49500
30	62	4600	2.4	23.95	BF90-../DPE20XA4	859	11100	54300
30	44	6500	2.0	33.71	BF90-../DPE20XA4	859	11900	59300
30	39.5	7200	1.85	37.54	BF90-../DPE20XA4	859	12700	61500
30	32	8900	1.6	46.43	BF90-../DPE20XA4	859	13800	65500
30	29	9800	1.45	51.70	BF90-../DPE20XA4	859	14600	67800
30	23.5	12100	1.25	63.49	BF90-../DPE20XA4	859	15800	72000
30	21	13600	1.15	70.69	BF90-../DPE20XA4	859	16800	74700
30	18.5	15400	1.05	80.85	BF90-../DPE20XA4	859	17500	77500

The torques marked (*) are maximum permissible torques for service factor f_B=1.0.

BF-series shaft-mounted geared motors

Selection - shaft-mounted geared motors

30 kW



P _N [kW]	n ₂ [1/min]	50 Hz		i [:1]	Type	m		
		M ₂ [Nm]	f _B [—]			[kg]	[N]	[N]
30	16.5	17300	0.97	90.02	BF90-../DPE20XA4	859	18900	80600
30	14	20400	0.82	107.5	BF90-../DPE20XA4	859	22300	86900

37 kW



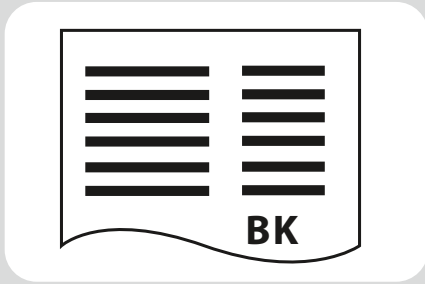
P _N [kW]	n ₂ [1/min]	50 Hz		i [:1]	Type	m		
		M ₂ [Nm]	f _B [—]			[kg]	[N]	[N]
37	144	2450	1.05	10.32	BF70-../DPE22MA4	569	4600	18700
37	123	2850	1.05	12.04	BF70-../DPE22MA4	569	4900	19700
37	100	3500	1.05	14.90	BF70-../DPE22MA4	569	5900	24000
37	86	4100	1.05	17.39	BF70-../DPE22MA4	569	6200	25000
37	130	2700	1.35	11.42	BF80-../DPE22MA4	665	8900	32200
37	90	3900	1.35	16.49	BF80-../DPE22MA4	665	11400	41400
37	64	5500	1.15	23.29	BF80-../DPE22MA4	665	11800	44900
37	119	2950	2.4	12.45	BF90-../DPE22MA4	915	8000	39700
37	86	4100	2.5	17.39	BF90-../DPE22MA4	915	10000	49500
37	62	5600	2.0	23.95	BF90-../DPE22MA4	915	11100	54300
37	44	8000	1.6	33.71	BF90-../DPE22MA4	915	11900	59300
37	39.5	8900	1.5	37.54	BF90-../DPE22MA4	915	12700	61500
37	32	11000	1.3	46.43	BF90-../DPE22MA4	915	13800	65500
37	29	12100	1.2	51.70	BF90-../DPE22MA4	915	14600	67800
37	23.5	15000	1.05	63.49	BF90-../DPE22MA4	915	15800	72000

7

The torques marked (*) are maximum permissible torques for service factor f_B=1.0.

Energy Efficient Geared Motors

AC Line Operated / European Union



BK-series bevel-gear motors - Selection

Description of bevel-gear units	173
Sizes	173
Bauer service factors (f_B) for bevel-gear motors	173
Continuous operation without switching frequency $Z \leq 1/h$	173
Switching duty	173
Bauer Service factor	173
Explanation of shock classification	174
Key to abbreviations	174
Selection tables, bevel-gear motors	174
Selection - bevel geared motors	175

Energy Efficient Geared Motors

AC Line Operated / European Union

8

Sizes

Bauer BK-series bevel-gear motors are normally supplied in ten frame sizes and with torques of 80 to 18,500 Nm. Higher torques are available on request. The gear unit is accommodated in a sturdy cast housing

Bauer service factors (f_B) for bevel-gear motors

Of the numerous factors influencing the total loading of a gear unit, the most important include:

- Mean torque (rated torque)
- Daily operating hours
- Severity of torque peaks (shock classification)
- Frequency of torque peaks (switching duty)

These factors can be represented in a simplified and practical manner by service factors. The tables and explanations below attempt to provide an objective description of the shock classification, rather than a classification of the driven machinery. Experience has shown that, in addition to the torque shocks caused by the driven machinery (M_s/M_N), above all the power transmission components (clutches, chains etc.) plus the mass ratios play a decisive role in this.

See Bauer special imprint SD32 for more information.

Continuous operation without switching frequency $Z \leq 1/h$

Factor f_1 for shock classification and operating time

Shock classification	Operating hours per day t_d	>4 h	>8 h	>16 h
		≤ 8 h	≤ 16 h	≤ 24 h
I		0.8	1.0	1.2
II		1.05	1.25	1.45
III		1.45	1.55	1.7

Switching duty

Factor f_2 for shock classification and switching frequency

Switching frequency in single- shift operation $t_d \leq 8$ h/d

Shock classification	$1 < Z \leq 100$	$100 < Z \leq 1000$	$1000 < Z$
I	0.95	1.1	1.15
II	1.2	1.35	1.4
III	1.55	1.6	1.6

Switching frequency in multiple- shift operation $t_d > 8$ h/d

Shock classification	$1 < Z \leq 100$	$100 < Z \leq 1000$	$1000 < Z$
I	1.3	1.45	1.5
II	1.5	1.6	1.65
III	1.75	1.8	1.8

Bauer Service factor

Bauer service factor $f_B = f_1$ or $f_B = f_2$

For example: Shock classification II for $Z = 100$ switching operations per hour and multiple-shift operation yields a service factor $f_B = f_2 = 1.5$

BK-series bevel-gear motors

Description of bevel-gear units

Explanation of shock classification

Shock classification I:

Uniform without shock loads. All the following requirements must be satisfied:

- $FI \leq 1.3$
- $M_x/M_N \leq 1.0$
- Shock-absorbing power transmission components (e.g. highly resilient, zero-play coupling, $\varphi_N \geq 5^\circ$)

Shock classification II:

Moderate shock loads. At least one of the following conditions applies:

- $1.3 < FI \leq 4$
- $1 < M_x/M_N \leq 1.6$
- Shock-neutral power transmission components (e.g. gear wheels, zero-playrigid coupling or resilient coupling with $\varphi_N < 5^\circ$)

Shock classification III:

Heavy shock loads. At least one of the following conditions applies:

- $FI > 4$
- $1.6 < M_x/M_N \leq 2.0$
- Shock-amplifying power transmission components (e.g. coupling with play or chain drive)

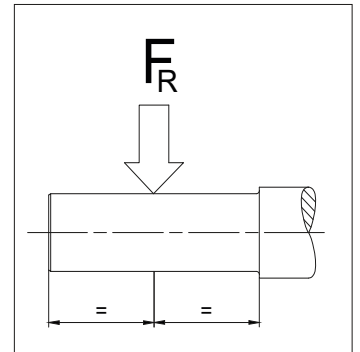
Key to abbreviations

Z	Switching duty number of switching operations per hour
t_d	Daily operating time in hours (h/d)
FI	Factor of inertia $FI = (J_{ext} + J_{rot})/J_{rot}$
J_{ext}	Mass moment of inertia of the machine to be driven, in relation to the motor's rotor shaft (kgm^2)
J_{rot}	Mass moment of inertia of the motor rotor (kgm^2)
M_x	Highest impact torque above the static torque which can occur during normal operation or in emergency situations
M_N	Required static load torque for the application
M_x/M_N	Relative torque - Factor
φ_N	Torsional offset of the resilient coupling under rated torque

Selection tables, bevel-gear motors

Key to abbreviations

P	Rated output
n_2	Rated speed of the output shaft
i	Gear reduction ratio
M_2	Rated torque at the output shaft
f_B	Bauer service factor
F_{RN}	Maximum permissible radial force with normal bearings
F_{RV}	Maximum permissible radial force with reinforced bearings in each case with standard solid shaft (Code -.1 and -.2)

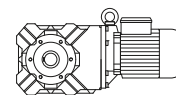


Use the selection tables to determine the size of geared motor required. The codes clearly define the Type of gear unit and output shaft (see chapter 12 "dimensional drawing bevel-gear motors").

Motor power overload protection

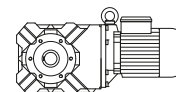
Motor-power ratings, particularly in conjunction with four-stage and multi-stage gear units, are more than ample in some instances. Consequently, and in much the same way as with low-power motors, rated current is not a measure of gear loading and cannot be used to protect the gear unit against overloading. It is advisable to provide gears at risk from excessive load or blockage with a protective mechanism (e. g., slip clutch, slip hub, shear pin or an alternative).

0.03 kW



P _N [kW]	50 Hz			i [:1]	Type	m		
	n ₂ [1/min]	M ₂ [Nm]	f _B [—]			[kg]	[N]	[N]
0.03	28.5	8.9	9.0	47.78	BK06-../D04LA4	7.6	1500	-
0.03	25	10.1	6.7	54.38	BK06-../D04LA4	7.6	1600	-
0.03	21.5	11.8	5.4	63.33	BK06-../D04LA4	7.6	1700	-
0.03	3.7	62	2.7	373.4	BK10Z-../D04LA4	21	7000	-
0.03	3.2	71	2.1	428.8	BK10Z-../D04LA4	21	7000	-
0.03	2.5	66	3.3	552.3	BK10G06-../D04LA4	25	7000	-
0.03	2.2	77	2.9	635.5	BK10G06-../D04LA4	25	7000	-
0.03	1.8	98	2.2	789.7	BK10G06-../D04LA4	25	7000	-
0.03	1.5	118	1.85	929.3	BK10G06-../D04LA4	25	7000	-
0.03	1.3	139	1.6	1112	BK10G06-../D04LA4	25	7000	-
0.03	1.0	184	1.2	1361	BK10G06-../D04LA4	25	7000	-
0.03	0.9	205	1.05	1577	BK10G06-../D04LA4	25	7000	-
0.03	0.7	220*	1.0	1971	BK10G06-../D04LA4	25	7000	-
0.03	0.6	220*	1.0	2261	BK10G06-../D04LA4	25	7000	-
0.03	0.55	220*	1.0	2467	BK10G06-../D04LA4	25	7000	-
0.03	0.48	220*	1.0	2849	BK10G06-../D04LA4	25	7000	-
0.03	0.44	220*	1.0	3107	BK10G06-../D04LA4	25	7000	-
0.03	0.39	220*	1.0	3537	BK10G06-../D04LA4	25	7000	-
0.03	0.33	220*	1.0	4120	BK10G06-../D04LA4	25	7000	-
0.03	1.6	110	3.3	891.2	BK20G06-../D04LA4	34	8700	9000
0.03	1.3	138	2.6	1066	BK20G06-../D04LA4	34	8700	9000
0.03	1.1	165	2.2	1305	BK20G06-../D04LA4	34	8700	9000
0.03	0.95	193	1.85	1424	BK20G06-../D04LA4	34	8700	9000
0.03	0.85	220	1.65	1650	BK20G06-../D04LA4	34	8700	9000
0.03	0.7	270	1.35	2062	BK20G06-../D04LA4	34	8700	9000
0.03	0.6	320	1.15	2366	BK20G06-../D04LA4	34	8700	9000
0.03	0.55	350	1.05	2580	BK20G06-../D04LA4	34	8700	9000
0.03	0.48	360*	1.0	2831	BK20G06-../D04LA4	34	8700	9000
0.03	0.44	360*	1.0	3088	BK20G06-../D04LA4	34	8700	9000
0.03	0.39	360*	1.0	3515	BK20G06-../D04LA4	34	8700	9000
0.03	0.33	360*	1.0	4094	BK20G06-../D04LA4	34	8700	9000
0.03	1.2	150	3.3	1142	BK30G06-../D04LA4	40	11200	12000
0.03	1.1	165	3.0	1281	BK30G06-../D04LA4	40	11200	12000
0.03	0.85	220	2.2	1620	BK30G06-../D04LA4	40	11200	12000
0.03	0.8	235	2.1	1767	BK30G06-../D04LA4	40	11200	12000
0.03	0.7	270	1.8	2024	BK30G06-../D04LA4	40	11200	12000
0.03	0.55	350	1.4	2533	BK30G06-../D04LA4	40	11200	12000
0.03	0.5	380	1.3	2738	BK30G06-../D04LA4	40	11200	12000
0.03	0.46	415	1.2	2986	BK30G06-../D04LA4	40	11200	12000
0.03	0.4	480	1.0	3399	BK30G06-../D04LA4	40	11200	12000
0.03	0.35	490*	1.0	3959	BK30G06-../D04LA4	40	11200	12000

0.04 kW



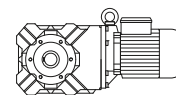
P _N [kW]	50 Hz			i [:1]	Type	m		
	n ₂ [1/min]	M ₂ [Nm]	f _B [—]			[kg]	[N]	[N]
0.04	41	8.3	9.6	33.33	BK06-../D04LA4	7.6	1320	-
0.04	35.5	9.6	8.3	38.18	BK06-../D04LA4	7.6	1380	-
0.04	28.5	11.9	6.7	47.78	BK06-../D04LA4	7.6	1500	-
0.04	25	13.5	5.0	54.38	BK06-../D04LA4	7.6	1600	-
0.04	21.5	15.8	4.0	63.33	BK06-../D04LA4	7.6	1700	-
0.04	4.5	68	2.7	302.4	BK10Z-../D04LA4	21	7000	-
0.04	3.7	83	2.0	373.4	BK10Z-../D04LA4	21	7000	-
0.04	3.2	95	1.55	428.8	BK10Z-../D04LA4	21	7000	-
0.04	3.0	78	2.8	459.2	BK10G06-../D04LA4	25	7000	-
0.04	2.7	88	2.5	501.4	BK10G06-../D04LA4	25	7000	-
0.04	2.5	96	2.3	552.3	BK10G06-../D04LA4	25	7000	-
0.04	2.2	112	1.95	635.5	BK10G06-../D04LA4	25	7000	-
0.04	1.8	140	1.55	789.7	BK10G06-../D04LA4	25	7000	-
0.04	1.5	167	1.3	929.3	BK10G06-../D04LA4	25	7000	-
0.04	1.3	195	1.15	1112	BK10G06-../D04LA4	25	7000	-

The torques marked (*) are maximum permissible torques for service factor f_B=1.0.

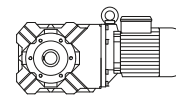
BK-series bevel geared motors

Selection - bevel geared motors

0.04 kW								
P _N	50 Hz			i	Type	m		
	n ₂	M ₂	f _B			[kg]	[N]	[N]
[kW]	[1/min]	[Nm]	[-]	[:1]				
0.04	1.0	255	0.86	1361	BK10G06-../D04LA4	25	7000	-
0.04	2.2	110	3.3	630.0	BK20G06-../D04LA4	34	8700	9000
0.04	1.8	138	2.6	757.0	BK20G06-../D04LA4	34	8700	9000
0.04	1.6	156	2.3	891.2	BK20G06-../D04LA4	34	8700	9000
0.04	1.3	195	1.85	1066	BK20G06-../D04LA4	34	8700	9000
0.04	1.1	230	1.55	1305	BK20G06-../D04LA4	34	8700	9000
0.04	0.95	270	1.35	1424	BK20G06-../D04LA4	34	8700	9000
0.04	0.85	305	1.2	1650	BK20G06-../D04LA4	34	8700	9000
0.04	1.7	147	3.3	810.9	BK30G06-../D04LA4	40	11200	12000
0.04	1.5	167	2.9	954.1	BK30G06-../D04LA4	40	11200	12000
0.04	1.2	210	2.3	1142	BK30G06-../D04LA4	40	11200	12000
0.04	1.1	230	2.1	1281	BK30G06-../D04LA4	40	11200	12000
0.04	0.85	305	1.6	1620	BK30G06-../D04LA4	40	11200	12000
0.04	0.8	325	1.5	1767	BK30G06-../D04LA4	40	11200	12000
0.04	0.7	375	1.3	2024	BK30G06-../D04LA4	40	11200	12000
0.04	0.55	480	1.0	2533	BK30G06-../D04LA4	40	11200	12000

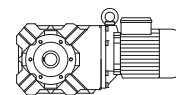


0.06 kW								
P _N	50 Hz			i	Type	m		
	n ₂	M ₂	f _B			[kg]	[N]	[N]
[kW]	[1/min]	[Nm]	[-]	[:1]				
0.06	63	8.1	9.9	21.54	BK06-../D04LA4	7.6	1150	-
0.06	52	9.9	8.1	26.36	BK06-../D04LA4	7.6	1230	-
0.06	41	12.5	6.4	33.33	BK06-../D04LA4	7.6	1320	-
0.06	35.5	14.5	5.5	38.18	BK06-../D04LA4	7.6	1380	-
0.06	28.5	17.8	4.5	47.78	BK06-../D04LA4	7.6	1500	-
0.06	25	20	3.4	54.38	BK06-../D04LA4	7.6	1600	-
0.06	21.5	23.5	2.7	63.33	BK06-../D04LA4	7.6	1700	-
0.06	11.5	42	3.3	120.3	BK10Z-../D06LA4	24	7000	-
0.06	9.5	50	3.3	143.2	BK10Z-../D06LA4	24	7000	-
0.06	6.6	71	2.8	204.7	BK10Z-../D06LA4	24	7000	-
0.06	5.3	88	2.3	257.9	BK10Z-../D06LA4	24	7000	-
0.06	4.5	103	1.8	302.4	BK10Z-../D06LA4	24	7000	-
0.06	3.7	125	1.3	373.4	BK10Z-../D06LA4	24	7000	-
0.06	3.2	143	1.05	428.8	BK10Z-../D06LA4	24	7000	-
0.06	3.0	129	1.7	459.2	BK10G06-../D06LA4	28	7000	-
0.06	2.7	144	1.55	501.4	BK10G06-../D06LA4	28	7000	-
0.06	2.5	157	1.4	552.3	BK10G06-../D06LA4	28	7000	-
0.06	2.2	180	1.2	635.5	BK10G06-../D06LA4	28	7000	-
0.06	1.8	220	1.0	789.7	BK10G06-../D06LA4	28	7000	-
0.06	1.5	265	0.83	929.3	BK10G06-../D06LA4	28	7000	-
0.06	4.6	100	3.1	298.2	BK20Z-../D06LA4	34	8700	9000
0.06	3.7	123	2.4	367.7	BK20Z-../D06LA4	34	8700	9000
0.06	3.2	120	3.0	429.7	BK20G06-../D06LA4	38	8700	9000
0.06	2.9	133	2.7	480.4	BK20G06-../D06LA4	38	8700	9000
0.06	2.6	149	2.4	524.5	BK20G06-../D06LA4	38	8700	9000
0.06	2.2	178	2.0	630.0	BK20G06-../D06LA4	38	8700	9000
0.06	1.8	220	1.65	757.0	BK20G06-../D06LA4	38	8700	9000
0.06	1.6	245	1.45	891.2	BK20G06-../D06LA4	38	8700	9000
0.06	1.3	305	1.2	1066	BK20G06-../D06LA4	38	8700	9000
0.06	1.1	360	1.0	1305	BK20G06-../D06LA4	38	8700	9000
0.06	3.6	128	3.1	380.7	BK30Z-../D06LA4	41	11200	12000
0.06	3.1	147	2.6	441.3	BK30Z-../D06LA4	41	11200	12000
0.06	2.4	163	3.0	567.0	BK30G06-../D06LA4	44	11200	12000
0.06	2.1	188	2.6	652.5	BK30G06-../D06LA4	44	11200	12000
0.06	1.9	210	2.3	743.0	BK30G06-../D06LA4	44	11200	12000
0.06	1.7	235	2.1	810.9	BK30G06-../D06LA4	44	11200	12000
0.06	1.5	265	1.85	954.1	BK30G06-../D06LA4	44	11200	12000
0.06	1.2	330	1.5	1142	BK30G06-../D06LA4	44	11200	12000
0.06	1.1	360	1.35	1281	BK30G06-../D06LA4	44	11200	12000



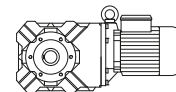
The torques marked (*) are maximum permissible torques for service factor f_B=1.0.

0.06 kW



P _N [kW]	50 Hz			i [:1]	Type	m		
	n ₂ [1/min]	M ₂ [Nm]	f _B [—]			[kg]	[N]	[N]
0.06	0.85	475	1.05	1620	BK30G06-../D06LA4	44	11200	12000
0.06	1.2	290	2.9	1189	BK40G10-../D06LA4	68	11700	17000
0.06	0.95	380	2.2	1428	BK40G10-../D06LA4	68	11700	17000
0.06	0.8	465	1.85	1798	BK40G10-../D06LA4	68	11700	17000
0.06	0.65	580	1.45	2108	BK40G10-../D06LA4	68	11700	17000
0.06	0.6	640	1.35	2350	BK40G10-../D06LA4	68	11700	17000
0.06	0.55	700	1.2	2604	BK40G10-../D06LA4	68	11700	17000
0.06	1.0	370	3.1	1398	BK50G10-../D06LA4	96	14100	111000
0.06	0.9	415	2.8	1549	BK50G10-../D06LA4	96	14100	111000
0.06	0.75	510	2.3	1816	BK50G10-../D06LA4	96	14100	111000
0.06	0.7	550	2.1	2024	BK50G10-../D06LA4	96	14100	111000
0.06	0.6	630	1.85	2450	BK50G10-../D06LA4	96	14100	111000
0.06	0.5	760	1.5	2730	BK50G10-../D06LA4	96	14100	111000
0.06	0.45	850	1.35	3025	BK50G10-../D06LA4	96	14100	111000
0.06	0.39	960	1.2	3492	BK50G10-../D06LA4	96	14100	111000
0.06	0.35	1080	1.05	3870	BK50G10-../D06LA4	96	14100	111000
0.06	0.39	920	2.7	3533	BK60G20-../D06LA4	123	16600	34000
0.06	0.32	1240	2.0	4239	BK60G20-../D06LA4	123	16600	34000
0.06	0.27	1570	1.6	5072	BK60G20-../D06LA4	123	16600	34000
0.06	0.24	1830	1.35	5721	BK60G20-../D06LA4	123	16600	34000
0.06	0.21	2150	1.15	6565	BK60G20-../D06LA4	123	16600	34000
0.06	0.19	2450	1.0	7291	BK60G20-../D06LA4	123	16600	34000
0.06	0.21	2000	2.9	6504	BK70G20-../D06LA4	201	24100	50000
0.06	0.17	2650	2.2	8149	BK70G20-../D06LA4	201	24100	50000
0.06	0.15	3100	1.85	9351	BK70G20-../D06LA4	201	24100	50000

0.09 kW



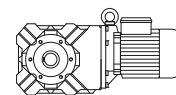
P _N [kW]	50 Hz			i [:1]	Type	m		
	n ₂ [1/min]	M ₂ [Nm]	f _B [—]			[kg]	[N]	[N]
0.09	89	8.7	9.2	15.29	BK06-../D04LA4	7.6	1020	-
0.09	75	10.3	7.8	18.00	BK06-../D04LA4	7.6	1080	-
0.09	63	12.2	6.6	21.54	BK06-../D04LA4	7.6	1150	-
0.09	52	14.8	5.4	26.36	BK06-../D04LA4	7.6	1230	-
0.09	41	18.8	4.3	33.33	BK06-../D04LA4	7.6	1320	-
0.09	35.5	21.5	3.7	38.18	BK06-../D04LA4	7.6	1380	-
0.09	28.5	26.5	3.0	47.78	BK06-../D04LA4	7.6	1500	-
0.09	25	30.5	2.2	54.38	BK06-../D04LA4	7.6	1600	-
0.09	21.5	35.5	1.8	63.33	BK06-../D04LA4	7.6	1700	-
0.09	13.5	54	2.9	102.5	BK10-../D06LA4	23	7000	-
0.09	11.5	63	2.2	120.3	BK10Z-../D06LA4	24	7000	-
0.09	9.5	75	2.2	143.2	BK10Z-../D06LA4	24	7000	-
0.09	8.0	89	2.2	170.6	BK10Z-../D06LA4	24	7000	-
0.09	6.6	106	1.9	204.7	BK10Z-../D06LA4	24	7000	-
0.09	5.3	132	1.5	257.9	BK10Z-../D06LA4	24	7000	-
0.09	4.5	154	1.2	302.4	BK10Z-../D06LA4	24	7000	-
0.09	3.7	188	0.88	373.4	BK10Z-../D06LA4	24	7000	-
0.09	3.3	186	1.2	410.8	BK10G06-../D06LA4	28	7000	-
0.09	3.0	205	1.05	459.2	BK10G06-../D06LA4	28	7000	-
0.09	2.7	225	0.98	501.4	BK10G06-../D06LA4	28	7000	-
0.09	2.5	245	0.9	552.3	BK10G06-../D06LA4	28	7000	-
0.09	6.6	106	3.1	207.5	BK20Z-../D06LA4	34	8700	9000
0.09	5.2	135	2.4	259.9	BK20Z-../D06LA4	34	8700	9000
0.09	4.6	151	2.1	298.2	BK20Z-../D06LA4	34	8700	9000
0.09	3.7	185	1.6	367.7	BK20Z-../D06LA4	34	8700	9000
0.09	3.2	192	1.9	429.7	BK20G06-../D06LA4	38	8700	9000
0.09	2.9	210	1.7	480.4	BK20G06-../D06LA4	38	8700	9000
0.09	2.6	235	1.55	524.5	BK20G06-../D06LA4	38	8700	9000
0.09	2.2	280	1.3	630.0	BK20G06-../D06LA4	38	8700	9000

The torques marked (*) are maximum permissible torques for service factor f_B=1.0.

BK-series bevel geared motors

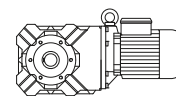
Selection - bevel geared motors

0.09 kW



P _N [kW]	n ₂ [1/min]	50 Hz		i [:1]	Type	m		
		M ₂ [Nm]	f _B [—]			[kg]	[N]	[N]
0.09	1.8	345	1.05	757.0	BK20G06-../D06LA4	38	8700	9000
0.09	1.6	385	0.94	891.2	BK20G06-../D06LA4	38	8700	9000
0.09	4.4	160	2.4	308.3	BK30Z-../D06LA4	41	11200	12000
0.09	3.6	193	2.1	380.7	BK30Z-../D06LA4	41	11200	12000
0.09	3.1	220	1.75	441.3	BK30Z-../D06LA4	41	11200	12000
0.09	2.9	210	2.3	471.5	BK30G06-../D06LA4	44	11200	12000
0.09	2.4	255	1.9	567.0	BK30G06-../D06LA4	44	11200	12000
0.09	2.1	295	1.65	652.5	BK30G06-../D06LA4	44	11200	12000
0.09	1.9	325	1.5	743.0	BK30G06-../D06LA4	44	11200	12000
0.09	1.7	365	1.35	810.9	BK30G06-../D06LA4	44	11200	12000
0.09	1.5	410	1.2	954.1	BK30G06-../D06LA4	44	11200	12000
0.09	1.2	510	0.96	1142	BK30G06-../D06LA4	44	11200	12000
0.09	1.1	560	0.88	1281	BK30G06-../D06LA4	44	11200	12000
0.09	3.9	178	3.3	348.7	BK40Z-../D06LA4	64	11700	17000
0.09	3.2	210	2.7	430.0	BK40Z-../D06LA4	64	11700	17000
0.09	1.8	295	2.9	756.7	BK40G10-../D06LA4	68	11700	17000
0.09	1.7	320	2.7	838.4	BK40G10-../D06LA4	68	11700	17000
0.09	1.4	400	2.1	998.3	BK40G10-../D06LA4	68	11700	17000
0.09	1.2	475	1.8	1189	BK40G10-../D06LA4	68	11700	17000
0.09	0.95	610	1.4	1428	BK40G10-../D06LA4	68	11700	17000
0.09	0.8	730	1.15	1798	BK40G10-../D06LA4	68	11700	17000
0.09	1.6	350	3.3	859.8	BK50G10-../D06LA4	96	14100	111000
0.09	1.4	410	2.8	1024	BK50G10-../D06LA4	96	14100	111000
0.09	1.1	530	2.2	1230	BK50G10-../D06LA4	96	14100	111000
0.09	1.0	590	1.95	1398	BK50G10-../D06LA4	96	14100	111000
0.09	0.9	660	1.75	1549	BK50G10-../D06LA4	96	14100	111000
0.09	0.75	790	1.45	1816	BK50G10-../D06LA4	96	14100	111000
0.09	0.7	850	1.35	2024	BK50G10-../D06LA4	96	14100	111000
0.09	0.6	980	1.15	2450	BK50G10-../D06LA4	96	14100	111000
0.09	0.7	750	3.3	2010	BK60G20-../D06LA4	123	16600	34000
0.09	0.6	930	2.7	2371	BK60G20-../D06LA4	123	16600	34000
0.09	0.5	1180	2.1	2733	BK60G20-../D06LA4	123	16600	34000
0.09	0.45	1360	1.85	3036	BK60G20-../D06LA4	123	16600	34000
0.09	0.39	1650	1.5	3533	BK60G20-../D06LA4	123	16600	34000
0.09	0.32	2100	1.2	4239	BK60G20-../D06LA4	123	16600	34000
0.09	0.35	1750	3.3	3894	BK70G20-../D06LA4	201	24100	50000
0.09	0.3	2150	2.7	4531	BK70G20-../D06LA4	201	24100	50000
0.09	0.25	2700	2.1	5436	BK70G20-../D06LA4	201	24100	50000
0.09	0.21	3350	1.7	6504	BK70G20-../D06LA4	201	24100	50000
0.09	0.17	4350	1.3	8149	BK70G20-../D06LA4	201	24100	50000
0.09	0.15	5000	1.15	9351	BK70G20-../D06LA4	201	24100	50000

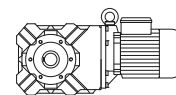
0.11 kW



P _N [kW]	n ₂ [1/min]	50 Hz		i [:1]	Type	m		
		M ₂ [Nm]	f _B [—]			[kg]	[N]	[N]
0.11	116	8.3	9.6	11.67	BK06-../D04LA4	7.6	930	-
0.11	89	10.7	7.5	15.29	BK06-../D04LA4	7.6	1020	-
0.11	75	12.6	6.3	18.00	BK06-../D04LA4	7.6	1080	-
0.11	63	15	5.3	21.54	BK06-../D04LA4	7.6	1150	-
0.11	52	18.1	4.4	26.36	BK06-../D04LA4	7.6	1230	-
0.11	41	23	3.5	33.33	BK06-../D04LA4	7.6	1320	-
0.11	35.5	26.5	3.0	38.18	BK06-../D04LA4	7.6	1380	-
0.11	28.5	32.5	2.5	47.78	BK06-../D04LA4	7.6	1500	-
0.11	25	37	1.85	54.38	BK06-../D04LA4	7.6	1600	-
0.11	21.5	43	1.5	63.33	BK06-../D04LA4	7.6	1700	-
0.11	11.5	77	1.8	120.3	BK10Z-../D04LA4	21	7000	-
0.11	9.5	92	1.75	143.2	BK10Z-../D04LA4	21	7000	-
0.11	8.0	108	1.85	170.6	BK10Z-../D04LA4	21	7000	-

The torques marked (*) are maximum permissible torques for service factor f_B=1.0.

0.11 kW



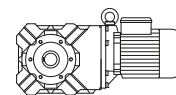
P _N [kW]	n ₂ [1/min]	50 Hz		i [:1]	Type	m [kg]	[N]	[N]
		M ₂ [Nm]	f _B [-]					
0.11	6.6	130	1.55	204.7	BK10Z-../D04LA4	21	7000	-
0.11	5.3	162	1.25	257.9	BK10Z-../D04LA4	21	7000	-
0.11	4.5	189	0.97	302.4	BK10Z-../D04LA4	21	7000	-
0.11	4.0	191	1.15	343.2	BK10G06-../D04LA4	25	7000	-
0.11	3.3	230	0.96	410.8	BK10G06-../D04LA4	25	7000	-
0.11	3.0	255	0.86	459.2	BK10G06-../D04LA4	25	7000	-
0.11	2.7	220*	1.0	501.4	BK10G06-../D04LA4	25	7000	-
0.11	2.5	220*	1.0	552.3	BK10G06-../D04LA4	25	7000	-
0.11	2.2	220*	1.0	635.5	BK10G06-../D04LA4	25	7000	-
0.11	1.8	220*	1.0	789.7	BK10G06-../D04LA4	25	7000	-
0.11	1.5	220*	1.0	929.3	BK10G06-../D04LA4	25	7000	-
0.11	1.3	220*	1.0	1112	BK10G06-../D04LA4	25	7000	-
0.11	1.0	220*	1.0	1361	BK10G06-../D04LA4	25	7000	-
0.11	0.9	220*	1.0	1577	BK10G06-../D04LA4	25	7000	-
0.11	0.7	220*	1.0	1971	BK10G06-../D04LA4	25	7000	-
0.11	0.6	220*	1.0	2261	BK10G06-../D04LA4	25	7000	-
0.11	0.55	220*	1.0	2467	BK10G06-../D04LA4	25	7000	-
0.11	0.48	220*	1.0	2849	BK10G06-../D04LA4	25	7000	-
0.11	0.44	220*	1.0	3107	BK10G06-../D04LA4	25	7000	-
0.11	0.39	220*	1.0	3537	BK10G06-../D04LA4	25	7000	-
0.11	0.33	220*	1.0	4120	BK10G06-../D04LA4	25	7000	-
0.11	7.8	111	3.0	173.4	BK20Z-../D04LA4	31	8700	9000
0.11	6.6	130	2.5	207.5	BK20Z-../D04LA4	31	8700	9000
0.11	5.2	165	2.0	259.9	BK20Z-../D04LA4	31	8700	9000
0.11	4.6	184	1.7	298.2	BK20Z-../D04LA4	31	8700	9000
0.11	3.7	225	1.3	367.7	BK20Z-../D04LA4	31	8700	9000
0.11	3.2	235	1.55	429.7	BK20G06-../D04LA4	34	8700	9000
0.11	2.9	260	1.4	480.4	BK20G06-../D04LA4	34	8700	9000
0.11	2.6	295	1.2	524.5	BK20G06-../D04LA4	34	8700	9000
0.11	2.2	345	1.05	630.0	BK20G06-../D04LA4	34	8700	9000
0.11	1.8	425	0.85	757.0	BK20G06-../D04LA4	34	8700	9000
0.11	1.6	360*	1.0	891.2	BK20G06-../D04LA4	34	8700	9000
0.11	1.3	360*	1.0	1066	BK20G06-../D04LA4	34	8700	9000
0.11	1.1	360*	1.0	1305	BK20G06-../D04LA4	34	8700	9000
0.11	0.95	360*	1.0	1424	BK20G06-../D04LA4	34	8700	9000
0.11	0.85	360*	1.0	1650	BK20G06-../D04LA4	34	8700	9000
0.11	0.7	360*	1.0	2062	BK20G06-../D04LA4	34	8700	9000
0.11	0.6	360*	1.0	2366	BK20G06-../D04LA4	34	8700	9000
0.11	0.55	360*	1.0	2580	BK20G06-../D04LA4	34	8700	9000
0.11	0.48	360*	1.0	2831	BK20G06-../D04LA4	34	8700	9000
0.11	0.44	360*	1.0	3088	BK20G06-../D04LA4	34	8700	9000
0.11	0.39	360*	1.0	3515	BK20G06-../D04LA4	34	8700	9000
0.11	0.33	360*	1.0	4094	BK20G06-../D04LA4	34	8700	9000
0.11	2.9	260	1.9	471.5	BK30G06-../D04LA4	40	11200	12000
0.11	2.4	320	1.55	567.0	BK30G06-../D04LA4	40	11200	12000
0.11	2.1	365	1.35	652.5	BK30G06-../D04LA4	40	11200	12000
0.11	1.9	405	1.2	743.0	BK30G06-../D04LA4	40	11200	12000
0.11	1.7	450	1.1	810.9	BK30G06-../D04LA4	40	11200	12000
0.11	1.5	510	0.96	954.1	BK30G06-../D04LA4	40	11200	12000
0.11	1.2	490*	1.0	1142	BK30G06-../D04LA4	40	11200	12000
0.11	1.1	490*	1.0	1281	BK30G06-../D04LA4	40	11200	12000
0.11	0.85	490*	1.0	1620	BK30G06-../D04LA4	40	11200	12000
0.11	0.8	490*	1.0	1767	BK30G06-../D04LA4	40	11200	12000
0.11	0.7	490*	1.0	2024	BK30G06-../D04LA4	40	11200	12000
0.11	0.55	490*	1.0	2533	BK30G06-../D04LA4	40	11200	12000
0.11	0.5	490*	1.0	2738	BK30G06-../D04LA4	40	11200	12000
0.11	0.46	490*	1.0	2986	BK30G06-../D04LA4	40	11200	12000
0.11	0.4	490*	1.0	3399	BK30G06-../D04LA4	40	11200	12000
0.11	0.35	490*	1.0	3959	BK30G06-../D04LA4	40	11200	12000

The torques marked (*) are maximum permissible torques for service factor f_B=1.0.

BK-series bevel geared motors

Selection - bevel geared motors

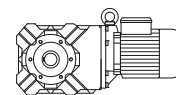
0.12 kW



P _N [kW]	n ₂ [1/min]	50 Hz		i [:1]	Type	m [kg]	[N]	[N]
		M ₂ [Nm]	f _B [-]					
0.12	120	8.7	9.2	11.67	BK06-../DHE05LA4	9.5	930	-
0.12	91	11.4	7.0	15.29	BK06-../DHE05LA4	9.5	1020	-
0.12	78	13.2	6.1	18.00	BK06-../DHE05LA4	9.5	1080	-
0.12	65	15.8	5.1	21.54	BK06-../DHE05LA4	9.5	1150	-
0.12	53	19.4	4.1	26.36	BK06-../DHE05LA4	9.5	1230	-
0.12	42	24.5	3.3	33.33	BK06-../DHE05LA4	9.5	1320	-
0.12	36.5	28	2.9	38.18	BK06-../DHE05LA4	9.5	1380	-
0.12	29.5	34.5	2.3	47.78	BK06-../DHE05LA4	9.5	1500	-
0.12	26	39	1.75	54.38	BK06-../DHE05LA4	9.5	1600	-
0.12	22	46	1.4	63.33	BK06-../DHE05LA4	9.5	1700	-
0.12	16	62	2.9	89.30	BK10-../DHE06LA4	23	7000	-
0.12	14	69	2.3	102.5	BK10-../DHE06LA4	23	7000	-
0.12	12	81	1.7	120.3	BK10Z-../DHE06LA4	24	7000	-
0.12	9.7	99	1.65	143.2	BK10Z-../DHE06LA4	24	7000	-
0.12	8.2	115	1.75	170.6	BK10Z-../DHE06LA4	24	7000	-
0.12	6.8	138	1.45	204.7	BK10Z-../DHE06LA4	24	7000	-
0.12	5.4	174	1.15	257.9	BK10Z-../DHE06LA4	24	7000	-
0.12	4.6	200	0.92	302.4	BK10Z-../DHE06LA4	24	7000	-
0.12	4.1	205	1.05	343.2	BK10G06-../DHE06LA4	28	7000	-
0.12	3.4	245	0.9	410.8	BK10G06-../DHE06LA4	28	7000	-
0.12	3.1	270	0.81	459.2	BK10G06-../DHE06LA4	28	7000	-
0.12	2.8	220*	1.0	501.4	BK10G06-../DHE06LA4	28	7000	-
0.12	2.6	220*	1.0	552.3	BK10G06-../DHE06LA4	28	7000	-
0.12	2.2	220*	1.0	635.5	BK10G06-../DHE06LA4	28	7000	-
0.12	1.8	220*	1.0	789.7	BK10G06-../DHE06LA4	28	7000	-
0.12	1.5	220*	1.0	929.3	BK10G06-../DHE06LA4	28	7000	-
0.12	1.3	220*	1.0	1112	BK10G06-../DHE06LA4	28	7000	-
0.12	1.1	220*	1.0	1361	BK10G06-../DHE06LA4	28	7000	-
0.12	0.9	220*	1.0	1577	BK10G06-../DHE06LA4	28	7000	-
0.12	0.75	220*	1.0	1971	BK10G06-../DHE06LA4	28	7000	-
0.12	0.65	220*	1.0	2261	BK10G06-../DHE06LA4	28	7000	-
0.12	0.6	220*	1.0	2467	BK10G06-../DHE06LA4	28	7000	-
0.12	0.49	220*	1.0	2849	BK10G06-../DHE06LA4	28	7000	-
0.12	0.45	220*	1.0	3107	BK10G06-../DHE06LA4	28	7000	-
0.12	0.4	220*	1.0	3537	BK10G06-../DHE06LA4	28	7000	-
0.12	0.34	220*	1.0	4120	BK10G06-../DHE06LA4	28	7000	-
0.12	9.6	100	3.3	144.5	BK20Z-../DHE06LA4	34	8700	9000
0.12	8.0	118	2.8	173.4	BK20Z-../DHE06LA4	34	8700	9000
0.12	6.7	140	2.4	207.5	BK20Z-../DHE06LA4	34	8700	9000
0.12	5.4	174	1.9	259.9	BK20Z-../DHE06LA4	34	8700	9000
0.12	4.7	197	1.6	298.2	BK20Z-../DHE06LA4	34	8700	9000
0.12	3.8	240	1.2	367.7	BK20Z-../DHE06LA4	34	8700	9000
0.12	3.3	255	1.4	429.7	BK20G06-../DHE06LA4	38	8700	9000
0.12	2.9	290	1.25	480.4	BK20G06-../DHE06LA4	38	8700	9000
0.12	2.7	310	1.15	524.5	BK20G06-../DHE06LA4	38	8700	9000
0.12	2.2	380	0.95	630.0	BK20G06-../DHE06LA4	38	8700	9000
0.12	1.9	445	0.81	757.0	BK20G06-../DHE06LA4	38	8700	9000
0.12	1.6	360*	1.0	891.2	BK20G06-../DHE06LA4	38	8700	9000
0.12	1.3	360*	1.0	1066	BK20G06-../DHE06LA4	38	8700	9000
0.12	1.1	360*	1.0	1305	BK20G06-../DHE06LA4	38	8700	9000
0.12	1.0	360*	1.0	1424	BK20G06-../DHE06LA4	38	8700	9000
0.12	0.85	360*	1.0	1650	BK20G06-../DHE06LA4	38	8700	9000
0.12	0.7	360*	1.0	2062	BK20G06-../DHE06LA4	38	8700	9000
0.12	0.6	360*	1.0	2366	BK20G06-../DHE06LA4	38	8700	9000
0.12	0.55	360*	1.0	2580	BK20G06-../DHE06LA4	38	8700	9000
0.12	0.49	360*	1.0	2831	BK20G06-../DHE06LA4	38	8700	9000
0.12	0.45	360*	1.0	3088	BK20G06-../DHE06LA4	38	8700	9000
0.12	0.4	360*	1.0	3515	BK20G06-../DHE06LA4	38	8700	9000
0.12	0.34	360*	1.0	4094	BK20G06-../DHE06LA4	38	8700	9000
0.12	6.4	146	3.1	216.5	BK30Z-../DHE06LA4	41	11200	12000
0.12	5.5	170	2.6	255.3	BK30Z-../DHE06LA4	41	11200	12000
0.12	4.5	205	1.9	308.3	BK30Z-../DHE06LA4	41	11200	12000
0.12	3.7	250	1.6	380.7	BK30Z-../DHE06LA4	41	11200	12000
0.12	3.2	285	1.35	441.3	BK30Z-../DHE06LA4	41	11200	12000
0.12	3.0	280	1.75	471.5	BK30G06-../DHE06LA4	44	11200	12000
0.12	2.5	335	1.45	567.0	BK30G06-../DHE06LA4	44	11200	12000
0.12	2.2	380	1.3	652.5	BK30G06-../DHE06LA4	44	11200	12000

The torques marked (*) are maximum permissible torques for service factor f_B=1.0.

0.12 kW



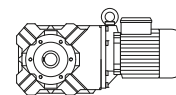
P _N [kW]	n ₂ [1/min]	50 Hz		i [:1]	Type	m [kg]	[N]	[N]
		M ₂ [Nm]	f _B [—]					
0.12	1.9	445	1.1	743.0	BK30G06-../DHE06LA4	44	11200	12000
0.12	1.8	470	1.05	810.9	BK30G06-../DHE06LA4	44	11200	12000
0.12	1.5	560	0.88	954.1	BK30G06-../DHE06LA4	44	11200	12000
0.12	1.3	490*	1.0	1142	BK30G06-../DHE06LA4	44	11200	12000
0.12	1.1	490*	1.0	1281	BK30G06-../DHE06LA4	44	11200	12000
0.12	0.9	490*	1.0	1620	BK30G06-../DHE06LA4	44	11200	12000
0.12	0.8	490*	1.0	1767	BK30G06-../DHE06LA4	44	11200	12000
0.12	0.7	490*	1.0	2024	BK30G06-../DHE06LA4	44	11200	12000
0.12	0.55	490*	1.0	2738	BK30G06-../DHE06LA4	44	11200	12000
0.12	0.47	490*	1.0	2986	BK30G06-../DHE06LA4	44	11200	12000
0.12	0.41	490*	1.0	3399	BK30G06-../DHE06LA4	44	11200	12000
0.12	0.35	490*	1.0	3959	BK30G06-../DHE06LA4	44	11200	12000
0.12	4.0	230	2.5	348.7	BK40Z-../DHE06LA4	64	11700	17000
0.12	3.3	275	2.1	430.0	BK40Z-../DHE06LA4	64	11700	17000
0.12	2.6	275	3.1	540.0	BK40G10-../DHE06LA4	68	11700	17000
0.12	2.1	350	2.4	660.2	BK40G10-../DHE06LA4	68	11700	17000
0.12	1.9	395	2.2	756.7	BK40G10-../DHE06LA4	68	11700	17000
0.12	1.7	450	1.9	838.4	BK40G10-../DHE06LA4	68	11700	17000
0.12	1.4	550	1.55	998.3	BK40G10-../DHE06LA4	68	11700	17000
0.12	1.2	650	1.3	1189	BK40G10-../DHE06LA4	68	11700	17000
0.12	1.0	790	1.1	1428	BK40G10-../DHE06LA4	68	11700	17000
0.12	0.8	850*	1.0	1798	BK40G10-../DHE06LA4	68	11700	17000
0.12	0.7	850*	1.0	2108	BK40G10-../DHE06LA4	68	11700	17000
0.12	0.6	850*	1.0	2350	BK40G10-../DHE06LA4	68	11700	17000
0.12	0.55	850*	1.0	2604	BK40G10-../DHE06LA4	68	11700	17000
0.12	0.46	850*	1.0	3077	BK40G10-../DHE06LA4	68	11700	17000
0.12	0.41	850*	1.0	3429	BK40G10-../DHE06LA4	68	11700	17000
0.12	0.37	850*	1.0	3800	BK40G10-../DHE06LA4	68	11700	17000
0.12	0.32	850*	1.0	4363	BK40G10-../DHE06LA4	68	11700	17000
0.12	3.4	265	3.2	414.8	BK50Z-../DHE06LA4	92	14100	26000
0.12	2.2	345	3.3	651.7	BK50G10-../DHE06LA4	96	14100	111000
0.12	2.0	385	3.0	722.2	BK50G10-../DHE06LA4	96	14100	111000
0.12	1.7	460	2.5	859.8	BK50G10-../DHE06LA4	96	14100	111000
0.12	1.4	560	2.1	1024	BK50G10-../DHE06LA4	96	14100	111000
0.12	1.2	670	1.7	1230	BK50G10-../DHE06LA4	96	14100	111000
0.12	1.0	800	1.45	1398	BK50G10-../DHE06LA4	96	14100	111000
0.12	0.9	890	1.3	1549	BK50G10-../DHE06LA4	96	14100	111000
0.12	0.8	1010	1.15	1816	BK50G10-../DHE06LA4	96	14100	111000
0.12	0.7	1150*	1.0	2024	BK50G10-../DHE06LA4	96	14100	111000
0.12	0.6	1150*	1.0	2450	BK50G10-../DHE06LA4	96	14100	111000
0.12	0.55	1150*	1.0	2730	BK50G10-../DHE06LA4	96	14100	111000
0.12	0.46	1150*	1.0	3025	BK50G10-../DHE06LA4	96	14100	111000
0.12	0.4	1150*	1.0	3492	BK50G10-../DHE06LA4	96	14100	111000
0.12	0.36	1150*	1.0	3870	BK50G10-../DHE06LA4	96	14100	111000
0.12	0.32	1150*	1.0	4443	BK50G10-../DHE06LA4	96	14100	111000
0.12	0.9	860	2.9	1618	BK60G20-../DHE06LA4	123	16600	34000
0.12	0.8	970	2.6	1810	BK60G20-../DHE06LA4	123	16600	34000
0.12	0.7	1160	2.2	2010	BK60G20-../DHE06LA4	123	16600	34000
0.12	0.6	1400	1.8	2371	BK60G20-../DHE06LA4	123	16600	34000
0.12	0.55	1540	1.6	2733	BK60G20-../DHE06LA4	123	16600	34000
0.12	0.46	1940	1.3	3036	BK60G20-../DHE06LA4	123	16600	34000
0.12	0.4	2300	1.1	3533	BK60G20-../DHE06LA4	123	16600	34000
0.12	0.33	2500*	1.0	4239	BK60G20-../DHE06LA4	123	16600	34000
0.12	0.28	2500*	1.0	5072	BK60G20-../DHE06LA4	123	16600	34000
0.12	0.25	2500*	1.0	5721	BK60G20-../DHE06LA4	123	16600	34000
0.12	0.22	2500*	1.0	6565	BK60G20-../DHE06LA4	123	16600	34000
0.12	0.19	2500*	1.0	7291	BK60G20-../DHE06LA4	123	16600	34000
0.12	0.18	2500*	1.0	8093	BK60G20-../DHE06LA4	123	16600	34000
0.12	0.16	2500*	1.0	8990	BK60G20-../DHE06LA4	123	16600	34000
0.12	0.46	1840	3.1	3041	BK70G20-../DHE06LA4	201	24100	50000
0.12	0.4	2150	2.7	3505	BK70G20-../DHE06LA4	201	24100	50000
0.12	0.36	2450	2.3	3894	BK70G20-../DHE06LA4	201	24100	50000
0.12	0.31	2950	1.95	4531	BK70G20-../DHE06LA4	201	24100	50000
0.12	0.26	3700	1.55	5436	BK70G20-../DHE06LA4	201	24100	50000
0.12	0.22	4500	1.25	6504	BK70G20-../DHE06LA4	201	24100	50000
0.12	0.17	5700*	1.0	8149	BK70G20-../DHE06LA4	201	24100	50000

The torques marked (*) are maximum permissible torques for service factor f_B=1.0.

BK-series bevel geared motors

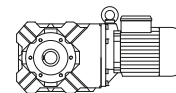
Selection - bevel geared motors

0.12 kW



P _N [kW]	n ₂ [1/min]	50 Hz		i [:1]	Type	m [kg]	[N]	[N]
		M ₂ [Nm]	f _B [-]					
0.12	0.15	5700*	1.0	9351	BK70G20-../DHE06LA4	201	24100	50000

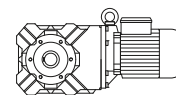
0.18 kW



P _N [kW]	n ₂ [1/min]	50 Hz		i [:1]	Type	m [kg]	[N]	[N]
		M ₂ [Nm]	f _B [-]					
0.18	142	11.1	7.2	9.71	BK06-../DHE05LA4	9.5	880	-
0.18	118	13.4	6.0	11.67	BK06-../DHE05LA4	9.5	930	-
0.18	90	17.3	4.6	15.29	BK06-../DHE05LA4	9.5	1020	-
0.18	77	20	4.0	18.00	BK06-../DHE05LA4	9.5	1080	-
0.18	64	24	3.3	21.54	BK06-../DHE05LA4	9.5	1150	-
0.18	53	29	2.8	26.36	BK06-../DHE05LA4	9.5	1230	-
0.18	41.5	37	2.2	33.33	BK06-../DHE05LA4	9.5	1320	-
0.18	36.5	42	1.9	38.18	BK06-../DHE05LA4	9.5	1380	-
0.18	29	52	1.55	47.78	BK06-../DHE05LA4	9.5	1500	-
0.18	25.5	59	1.15	54.38	BK06-../DHE05LA4	9.5	1600	-
0.18	22	69	0.92	63.33	BK06-../DHE05LA4	9.5	1700	-
0.18	22.5	67	3.0	61.68	BK10-../DHE06LA4	23	7000	-
0.18	19	79	2.5	72.31	BK10-../DHE06LA4	23	7000	-
0.18	15.5	96	1.85	89.30	BK10-../DHE06LA4	23	7000	-
0.18	13.5	108	1.45	102.5	BK10-../DHE06LA4	23	7000	-
0.18	11.5	127	1.1	120.3	BK10Z-../DHE06LA4	24	7000	-
0.18	9.6	150	1.1	143.2	BK10Z-../DHE06LA4	24	7000	-
0.18	8.1	176	1.15	170.6	BK10Z-../DHE06LA4	24	7000	-
0.18	6.7	210	0.95	204.7	BK10Z-../DHE06LA4	24	7000	-
0.18	13	113	2.8	108.6	BK20-../DHE06LA4	33	8700	9000
0.18	11.5	127	2.6	124.2	BK20Z-../DHE06LA4	34	8700	9000
0.18	9.5	151	2.2	144.5	BK20Z-../DHE06LA4	34	8700	9000
0.18	8.0	178	1.85	173.4	BK20Z-../DHE06LA4	34	8700	9000
0.18	6.7	210	1.55	207.5	BK20Z-../DHE06LA4	34	8700	9000
0.18	5.3	265	1.25	259.9	BK20Z-../DHE06LA4	34	8700	9000
0.18	4.6	300	1.05	298.2	BK20Z-../DHE06LA4	34	8700	9000
0.18	3.8	360	0.81	367.7	BK20Z-../DHE06LA4	34	8700	9000
0.18	3.2	405	0.89	429.7	BK20G06-../DHE06LA4	38	8700	9000
0.18	2.9	445	0.81	480.4	BK20G06-../DHE06LA4	38	8700	9000
0.18	9.5	151	3.0	145.1	BK30Z-../DHE06LA4	41	11200	12000
0.18	7.5	190	2.4	184.8	BK30Z-../DHE06LA4	41	11200	12000
0.18	6.4	220	2.0	216.5	BK30Z-../DHE06LA4	41	11200	12000
0.18	5.4	260	1.75	255.3	BK30Z-../DHE06LA4	41	11200	12000
0.18	4.5	310	1.25	308.3	BK30Z-../DHE06LA4	41	11200	12000
0.18	3.6	385	1.05	380.7	BK30Z-../DHE06LA4	41	11200	12000
0.18	3.2	425	0.9	441.3	BK30Z-../DHE06LA4	41	11200	12000
0.18	3.0	430	1.15	471.5	BK30G06-../DHE06LA4	44	11200	12000
0.18	2.5	510	0.96	567.0	BK30G06-../DHE06LA4	44	11200	12000
0.18	2.1	610	0.8	652.5	BK30G06-../DHE06LA4	44	11200	12000
0.18	5.6	245	3.2	246.6	BK40Z-../DHE06LA4	64	11700	17000
0.18	4.8	290	2.4	289.8	BK40Z-../DHE06LA4	64	11700	17000
0.18	4.0	345	1.7	348.7	BK40Z-../DHE06LA4	64	11700	17000
0.18	3.2	425	1.35	430.0	BK40Z-../DHE06LA4	64	11700	17000
0.18	2.9	405	2.1	487.3	BK40G10-../DHE06LA4	68	11700	17000
0.18	2.6	450	1.9	540.0	BK40G10-../DHE06LA4	68	11700	17000
0.18	2.1	560	1.5	660.2	BK40G10-../DHE06LA4	68	11700	17000
0.18	1.9	630	1.35	756.7	BK40G10-../DHE06LA4	68	11700	17000
0.18	1.7	710	1.2	838.4	BK40G10-../DHE06LA4	68	11700	17000
0.18	1.4	870	0.98	998.3	BK40G10-../DHE06LA4	68	11700	17000
0.18	1.2	1020	0.83	1189	BK40G10-../DHE06LA4	68	11700	17000
0.18	4.2	330	3.1	328.2	BK50Z-../DHE06LA4	92	14100	26000
0.18	3.4	400	2.1	414.8	BK50Z-../DHE06LA4	92	14100	26000
0.18	3.0	395	2.9	465.1	BK50G10-../DHE06LA4	96	14100	111000
0.18	2.7	440	2.6	513.4	BK50G10-../DHE06LA4	96	14100	111000

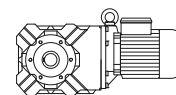
The torques marked (*) are maximum permissible torques for service factor f_B=1.0.

0.18 kW



P _N [kW]	n ₂ [1/min]	50 Hz		i [:1]	Type	m		
		M ₂ [Nm]	f _B [—]			[kg]	[N]	[N]
0.18	2.5	480	2.4	568.6	BK50G10-../DHE06LA4	96	14100	111000
0.18	2.2	550	2.1	651.7	BK50G10-../DHE06LA4	96	14100	111000
0.18	1.9	640	1.8	722.2	BK50G10-../DHE06LA4	96	14100	111000
0.18	1.6	760	1.5	859.8	BK50G10-../DHE06LA4	96	14100	111000
0.18	1.4	880	1.3	1024	BK50G10-../DHE06LA4	96	14100	111000
0.18	1.2	1030	1.1	1230	BK50G10-../DHE06LA4	96	14100	111000
0.18	1.0	1240	0.93	1398	BK50G10-../DHE06LA4	96	14100	111000
0.18	1.4	920	2.7	1016	BK60G20-../DHE06LA4	123	16600	34000
0.18	1.1	1220	2.0	1322	BK60G20-../DHE06LA4	123	16600	34000
0.18	0.85	1610	1.55	1618	BK60G20-../DHE06LA4	123	16600	34000
0.18	0.8	1690	1.5	1810	BK60G20-../DHE06LA4	123	16600	34000
0.18	0.7	1980	1.25	2010	BK60G20-../DHE06LA4	123	16600	34000
0.18	0.6	2350	1.05	2371	BK60G20-../DHE06LA4	123	16600	34000
0.18	0.7	1940	2.9	2040	BK70G20-../DHE06LA4	201	24100	50000
0.18	0.55	2500	2.3	2578	BK70G20-../DHE06LA4	201	24100	50000
0.18	0.46	3050	1.85	3041	BK70G20-../DHE06LA4	201	24100	50000
0.18	0.4	3600	1.6	3505	BK70G20-../DHE06LA4	201	24100	50000
0.18	0.36	4050	1.4	3894	BK70G20-../DHE06LA4	201	24100	50000
0.18	0.31	4800	1.2	4531	BK70G20-../DHE06LA4	201	24100	50000

0.25 kW



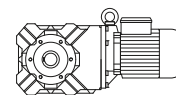
P _N [kW]	n ₂ [1/min]	50 Hz		i [:1]	Type	m		
		M ₂ [Nm]	f _B [—]			[kg]	[N]	[N]
0.25	142	15.4	5.2	9.71	BK06-../DHE07LA4	14	880	-
0.25	118	18.6	4.3	11.67	BK06-../DHE07LA4	14	930	-
0.25	90	24	3.3	15.29	BK06-../DHE07LA4	14	1020	-
0.25	77	27.5	2.9	18.00	BK06-../DHE07LA4	14	1080	-
0.25	64	33.5	2.4	21.54	BK06-../DHE07LA4	14	1150	-
0.25	53	40.5	2.0	26.36	BK06-../DHE07LA4	14	1230	-
0.25	41.5	51	1.55	33.33	BK06-../DHE07LA4	14	1320	-
0.25	36.5	58	1.4	38.18	BK06-../DHE07LA4	14	1380	-
0.25	29	73	1.1	47.78	BK06-../DHE07LA4	14	1500	-
0.25	25.5	83	0.82	54.38	BK06-../DHE07LA4	14	1600	-
0.25	34	63	3.2	40.79	BK10-../DHE07LA4	26	6000	-
0.25	28.5	74	2.7	48.96	BK10-../DHE07LA4	26	6400	-
0.25	22.5	94	2.1	61.68	BK10-../DHE07LA4	26	7000	-
0.25	19.5	107	1.85	72.31	BK10-../DHE07LA4	26	7000	-
0.25	15.5	134	1.35	89.30	BK10-../DHE07LA4	26	7000	-
0.25	13.5	150	1.05	102.5	BK10-../DHE07LA4	26	7000	-
0.25	9.7	205	0.8	143.2	BK10Z-../DHE07LA4	27	7000	-
0.25	8.1	240	0.83	170.6	BK10Z-../DHE07LA4	27	7000	-
0.25	18	116	2.8	76.79	BK20-../DHE07LA4	35	7500	9000
0.25	16	129	2.6	88.12	BK20-../DHE07LA4	35	8000	9000
0.25	13	157	2.0	108.6	BK20-../DHE07LA4	35	8700	9000
0.25	11.5	176	1.9	124.2	BK20Z-../DHE07LA4	37	8700	9000
0.25	9.6	205	1.6	144.5	BK20Z-../DHE07LA4	37	8700	9000
0.25	8.0	245	1.35	173.4	BK20Z-../DHE07LA4	37	8700	9000
0.25	6.7	290	1.15	207.5	BK20Z-../DHE07LA4	37	8700	9000
0.25	5.3	365	0.9	259.9	BK20Z-../DHE07LA4	37	8700	9000
0.25	13.5	150	3.0	102.4	BK30-../DHE07LA4	41	11200	12000
0.25	11.5	176	2.6	123.9	BK30Z-../DHE07LA4	44	11200	12000
0.25	9.5	210	2.1	145.1	BK30Z-../DHE07LA4	44	11200	12000
0.25	7.5	260	1.75	184.8	BK30Z-../DHE07LA4	44	11200	12000
0.25	6.4	305	1.5	216.5	BK30Z-../DHE07LA4	44	11200	12000
0.25	5.4	360	1.25	255.3	BK30Z-../DHE07LA4	44	11200	12000
0.25	4.5	435	0.89	308.3	BK30Z-../DHE07LA4	44	11200	12000
0.25	3.0	610	0.8	471.5	BK30G06-../DHE07LA4	46	11200	12000
0.25	8.2	240	3.3	169.0	BK40Z-../DHE07LA4	66	11700	17000

The torques marked (*) are maximum permissible torques for service factor f_B=1.0.

BK-series bevel geared motors

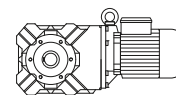
Selection - bevel geared motors

0.25 kW



P _N [kW]	50 Hz			i [:1]	Type	m		
	n ₂ [1/min]	M ₂ [Nm]	f _B [—]			[kg]	[N]	[N]
0.25	6.6	295	2.6	211.5	BK40Z-../DHE07LA4	66	11700	17000
0.25	5.6	345	2.3	246.6	BK40Z-../DHE07LA4	66	11700	17000
0.25	4.8	400	1.7	289.8	BK40Z-../DHE07LA4	66	11700	17000
0.25	4.0	480	1.2	348.7	BK40Z-../DHE07LA4	66	11700	17000
0.25	3.2	590	0.97	430.0	BK40Z-../DHE07LA4	66	11700	17000
0.25	2.9	580	1.45	487.3	BK40G10-../DHE07LA4	71	11700	17000
0.25	2.6	650	1.3	540.0	BK40G10-../DHE07LA4	71	11700	17000
0.25	2.1	810	1.05	660.2	BK40G10-../DHE07LA4	71	11700	17000
0.25	1.9	900	0.94	756.7	BK40G10-../DHE07LA4	71	11700	17000
0.25	1.7	1010	0.84	838.4	BK40G10-../DHE07LA4	71	11700	17000
0.25	5.2	370	2.8	264.5	BK50Z-../DHE07LA4	95	14100	26000
0.25	4.2	460	2.2	328.2	BK50Z-../DHE07LA4	95	14100	26000
0.25	3.4	560	1.5	414.8	BK50Z-../DHE07LA4	95	14100	26000
0.25	3.0	570	2.0	465.1	BK50G10-../DHE07LA4	99	14100	111000
0.25	2.7	630	1.85	513.4	BK50G10-../DHE07LA4	99	14100	111000
0.25	2.5	690	1.65	568.6	BK50G10-../DHE07LA4	99	14100	111000
0.25	2.2	780	1.45	651.7	BK50G10-../DHE07LA4	99	14100	111000
0.25	2.0	870	1.3	722.2	BK50G10-../DHE07LA4	99	14100	111000
0.25	1.6	1090	1.05	859.8	BK50G10-../DHE07LA4	99	14100	111000
0.25	1.4	1250	0.92	1024	BK50G10-../DHE07LA4	99	14100	111000
0.25	2.3	770	3.2	621.5	BK60G20-../DHE07LA4	125	16600	34000
0.25	1.9	940	2.7	752.1	BK60G20-../DHE07LA4	125	16600	34000
0.25	1.6	1150	2.2	887.8	BK60G20-../DHE07LA4	125	16600	34000
0.25	1.4	1400	1.8	1016	BK60G20-../DHE07LA4	125	16600	34000
0.25	1.1	1830	1.35	1322	BK60G20-../DHE07LA4	125	16600	34000
0.25	0.85	2350	1.05	1618	BK60G20-../DHE07LA4	125	16600	34000
0.25	1.1	1790	3.2	1280	BK70G20-../DHE07LA4	204	24100	50000
0.25	0.95	2050	2.8	1457	BK70G20-../DHE07LA4	204	24100	50000
0.25	0.85	2350	2.4	1696	BK70G20-../DHE07LA4	204	24100	50000
0.25	0.7	2850	2.0	2040	BK70G20-../DHE07LA4	204	24100	50000
0.25	0.55	3700	1.55	2578	BK70G20-../DHE07LA4	204	24100	50000
0.25	0.46	4500	1.25	3041	BK70G20-../DHE07LA4	204	24100	50000
0.25	0.4	5200	1.1	3505	BK70G20-../DHE07LA4	204	24100	50000

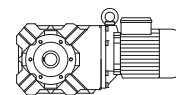
0.3 kW



P _N [kW]	50 Hz			i [:1]	Type	m		
	n ₂ [1/min]	M ₂ [Nm]	f _B [—]			[kg]	[N]	[N]
0.3	141	18.6	4.3	9.71	BK06-../DHE07LA4	14	880	-
0.3	117	22.5	3.6	11.67	BK06-../DHE07LA4	14	930	-
0.3	89	29	2.8	15.29	BK06-../DHE07LA4	14	1020	-
0.3	76	33.5	2.4	18.00	BK06-../DHE07LA4	14	1080	-
0.3	64	40	2.0	21.54	BK06-../DHE07LA4	14	1150	-
0.3	52	49.5	1.6	26.36	BK06-../DHE07LA4	14	1230	-
0.3	41	62	1.3	33.33	BK06-../DHE07LA4	14	1320	-
0.3	36	71	1.15	38.18	BK06-../DHE07LA4	14	1380	-
0.3	28.5	89	0.9	47.78	BK06-../DHE07LA4	14	1500	-
0.3	40	64	3.1	34.25	BK10-../DHE07LA4	26	5600	-
0.3	33.5	76	2.6	40.79	BK10-../DHE07LA4	26	6000	-
0.3	28	91	2.2	48.96	BK10-../DHE07LA4	26	6400	-
0.3	22.5	113	1.75	61.68	BK10-../DHE07LA4	26	7000	-
0.3	19	132	1.5	72.31	BK10-../DHE07LA4	26	7000	-
0.3	15.5	160	1.1	89.30	BK10-../DHE07LA4	26	7000	-
0.3	13.5	180	0.87	102.5	BK10-../DHE07LA4	26	7000	-
0.3	22.5	113	2.9	61.30	BK20-../DHE07LA4	35	6500	9000
0.3	18	140	2.4	76.79	BK20-../DHE07LA4	35	7500	9000
0.3	15.5	160	2.1	88.12	BK20-../DHE07LA4	35	8000	9000
0.3	13	189	1.65	108.6	BK20-../DHE07LA4	35	8700	9000
0.3	11	220	1.5	124.2	BK20Z-../DHE07LA4	37	8700	9000
0.3	9.5	250	1.3	144.5	BK20Z-../DHE07LA4	37	8700	9000

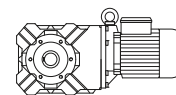
The torques marked (*) are maximum permissible torques for service factor f_B=1.0.

0.3 kW



P _N [kW]	n ₂ [1/min]	50 Hz		i [:1]	Type	m		
		M ₂ [Nm]	f _B [—]			[kg]	[N]	[N]
0.3	7.9	300	1.1	173.4	BK20Z-../DHE07LA4	37	8700	9000
0.3	6.6	355	0.93	207.5	BK20Z-../DHE07LA4	37	8700	9000
0.3	15.5	158	2.8	88.38	BK30-../DHE07LA4	41	10600	12000
0.3	13.5	180	2.5	102.4	BK30-../DHE07LA4	41	11200	12000
0.3	11	220	2.0	123.9	BK30Z-../DHE07LA4	44	11200	12000
0.3	9.4	255	1.75	145.1	BK30Z-../DHE07LA4	44	11200	12000
0.3	7.4	320	1.4	184.8	BK30Z-../DHE07LA4	44	11200	12000
0.3	6.3	370	1.2	216.5	BK30Z-../DHE07LA4	44	11200	12000
0.3	5.4	435	1.05	255.3	BK30Z-../DHE07LA4	44	11200	12000
0.3	9.6	250	3.1	143.0	BK40Z-../DHE07LA4	66	11700	17000
0.3	8.1	290	2.7	169.0	BK40Z-../DHE07LA4	66	11700	17000
0.3	6.5	360	2.2	211.5	BK40Z-../DHE07LA4	66	11700	17000
0.3	5.6	410	1.9	246.6	BK40Z-../DHE07LA4	66	11700	17000
0.3	4.7	490	1.4	289.8	BK40Z-../DHE07LA4	66	11700	17000
0.3	4.0	580	1.0	348.7	BK40Z-../DHE07LA4	66	11700	17000
0.3	3.2	710	0.81	430.0	BK40Z-../DHE07LA4	66	11700	17000
0.3	2.8	740	1.15	487.3	BK40G10-../DHE07LA4	71	11700	17000
0.3	2.6	800	1.05	540.0	BK40G10-../DHE07LA4	71	11700	17000
0.3	2.1	990	0.86	660.2	BK40G10-../DHE07LA4	71	11700	17000
0.3	6.6	355	3.0	206.8	BK50Z-../DHE07LA4	95	14100	26000
0.3	5.2	445	2.4	264.5	BK50Z-../DHE07LA4	95	14100	26000
0.3	4.2	550	1.85	328.2	BK50Z-../DHE07LA4	95	14100	26000
0.3	3.3	690	1.2	414.8	BK50Z-../DHE07LA4	95	14100	26000
0.3	3.0	700	1.65	465.1	BK50G10-../DHE07LA4	99	14100	111000
0.3	2.7	770	1.5	513.4	BK50G10-../DHE07LA4	99	14100	111000
0.3	2.4	870	1.3	568.6	BK50G10-../DHE07LA4	99	14100	111000
0.3	2.1	1000	1.15	651.7	BK50G10-../DHE07LA4	99	14100	111000
0.3	1.9	1110	1.05	722.2	BK50G10-../DHE07LA4	99	14100	111000
0.3	1.6	1320	0.87	859.8	BK50G10-../DHE07LA4	99	14100	111000
0.3	2.2	1040	2.4	621.5	BK60G20-../DHE07LA4	125	16600	34000
0.3	1.9	1190	2.1	752.1	BK60G20-../DHE07LA4	125	16600	34000
0.3	1.6	1450	1.7	887.8	BK60G20-../DHE07LA4	125	16600	34000
0.3	1.4	1740	1.45	1016	BK60G20-../DHE07LA4	125	16600	34000
0.3	1.1	2250	1.1	1322	BK60G20-../DHE07LA4	125	16600	34000
0.3	1.2	1950	2.9	1139	BK70G20-../DHE07LA4	204	24100	50000
0.3	1.1	2200	2.6	1280	BK70G20-../DHE07LA4	204	24100	50000
0.3	0.95	2550	2.2	1457	BK70G20-../DHE07LA4	204	24100	50000
0.3	0.85	2900	1.95	1696	BK70G20-../DHE07LA4	204	24100	50000
0.3	0.7	3550	1.6	2040	BK70G20-../DHE07LA4	204	24100	50000
0.3	0.55	4600	1.25	2578	BK70G20-../DHE07LA4	204	24100	50000

0.37 kW



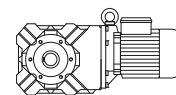
P _N [kW]	n ₂ [1/min]	50 Hz		i [:1]	Type	m		
		M ₂ [Nm]	f _B [—]			[kg]	[N]	[N]
0.37	198	16.4	4.5	7.25	BK06-../DHE08MA4	15	800	-
0.37	148	21.5	3.7	9.71	BK06-../DHE08MA4	15	880	-
0.37	123	26	3.1	11.67	BK06-../DHE08MA4	15	930	-
0.37	94	34	2.4	15.29	BK06-../DHE08MA4	15	1020	-
0.37	80	39.5	2.0	18.00	BK06-../DHE08MA4	15	1080	-
0.37	67	47	1.7	21.54	BK06-../DHE08MA4	15	1150	-
0.37	55	57	1.4	26.36	BK06-../DHE08MA4	15	1230	-
0.37	43	73	1.1	33.33	BK06-../DHE08MA4	15	1320	-
0.37	37.5	84	0.95	38.18	BK06-../DHE08MA4	15	1380	-
0.37	50	63	3.2	28.76	BK10-../DHE08MA4	27	5200	-
0.37	42	75	2.7	34.25	BK10-../DHE08MA4	27	5600	-
0.37	35.5	89	2.2	40.79	BK10-../DHE08MA4	27	6000	-
0.37	29.5	106	1.9	48.96	BK10-../DHE08MA4	27	6400	-
0.37	23.5	133	1.5	61.68	BK10-../DHE08MA4	27	7000	-

The torques marked (*) are maximum permissible torques for service factor f_B=1.0.

BK-series bevel geared motors

Selection - bevel geared motors

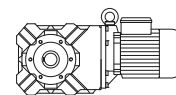
0.37 kW



P _N [kW]	n ₂ [1/min]	50 Hz		i [:1]	Type	m [kg]	[N]	[N]
		M ₂ [Nm]	f _B [-]					
0.37	20	155	1.3	72.31	BK10-../DHE08MA4	27	7000	-
0.37	16.5	186	0.96	89.30	BK10-../DHE08MA4	27	7000	-
0.37	28	112	2.9	51.22	BK20-../DHE08MA4	36	6300	9000
0.37	23.5	133	2.5	61.30	BK20-../DHE08MA4	36	6500	9000
0.37	19	163	2.0	76.79	BK20-../DHE08MA4	36	7500	9000
0.37	16.5	186	1.75	88.12	BK20-../DHE08MA4	36	8000	9000
0.37	13.5	225	1.4	108.6	BK20-../DHE08MA4	36	8700	9000
0.37	12	250	1.3	124.2	BK20Z-../DHE08MA4	38	8700	9000
0.37	9.9	295	1.1	144.5	BK20Z-../DHE08MA4	38	8700	9000
0.37	8.3	350	0.94	173.4	BK20Z-../DHE08MA4	38	8700	9000
0.37	6.9	415	0.8	207.5	BK20Z-../DHE08MA4	38	8700	9000
0.37	20	153	2.9	71.56	BK30-../DHE08MA4	42	9700	12000
0.37	16.5	184	2.4	88.38	BK30-../DHE08MA4	42	10600	12000
0.37	14	210	2.1	102.4	BK30-../DHE08MA4	42	11200	12000
0.37	12	250	1.8	123.9	BK30Z-../DHE08MA4	45	11200	12000
0.37	9.9	295	1.55	145.1	BK30Z-../DHE08MA4	45	11200	12000
0.37	7.8	375	1.2	184.8	BK30Z-../DHE08MA4	45	11200	12000
0.37	6.7	430	1.05	216.5	BK30Z-../DHE08MA4	45	11200	12000
0.37	5.7	500	0.9	255.3	BK30Z-../DHE08MA4	45	11200	12000
0.37	12.5	240	3.3	118.2	BK40Z-../DHE08MA4	67	11700	17000
0.37	10	295	2.6	143.0	BK40Z-../DHE08MA4	67	11700	17000
0.37	8.5	345	2.3	169.0	BK40Z-../DHE08MA4	67	11700	17000
0.37	6.8	425	1.85	211.5	BK40Z-../DHE08MA4	67	11700	17000
0.37	5.8	490	1.6	246.6	BK40Z-../DHE08MA4	67	11700	17000
0.37	5.0	570	1.2	289.8	BK40Z-../DHE08MA4	67	11700	17000
0.37	4.2	680	0.85	348.7	BK40Z-../DHE08MA4	67	11700	17000
0.37	3.0	870	0.98	487.3	BK40G10-../DHE08MA4	72	11700	17000
0.37	2.7	960	0.89	540.0	BK40G10-../DHE08MA4	72	11700	17000
0.37	7.0	410	2.6	206.8	BK50Z-../DHE08MA4	96	14100	26000
0.37	5.5	520	2.0	264.5	BK50Z-../DHE08MA4	96	14100	26000
0.37	4.4	650	1.55	328.2	BK50Z-../DHE08MA4	96	14100	26000
0.37	3.5	800	1.05	414.8	BK50Z-../DHE08MA4	96	14100	26000
0.37	3.1	840	1.35	465.1	BK50G10-../DHE08MA4	100	14100	111000
0.37	2.8	930	1.25	513.4	BK50G10-../DHE08MA4	100	14100	111000
0.37	2.6	1010	1.15	568.6	BK50G10-../DHE08MA4	100	14100	111000
0.37	2.2	1190	0.97	651.7	BK50G10-../DHE08MA4	100	14100	111000
0.37	2.0	1310	0.88	722.2	BK50G10-../DHE08MA4	100	14100	111000
0.37	4.6	760	3.0	317.7	BK60Z-../DHE08MA4	119	16600	34000
0.37	4.1	860	2.7	355.5	BK60Z-../DHE08MA4	119	16600	34000
0.37	3.5	1000	2.3	411.5	BK60Z-../DHE08MA4	119	16600	34000
0.37	3.2	1100	2.1	460.4	BK60Z-../DHE08MA4	119	16600	34000
0.37	2.9	1210	1.9	498.0	BK60Z-../DHE08MA4	119	16600	34000
0.37	2.6	1350	1.7	557.2	BK60Z-../DHE08MA4	119	16600	34000
0.37	2.4	1210	2.1	621.5	BK60G20-../DHE08MA4	126	16600	34000
0.37	2.0	1450	1.7	752.1	BK60G20-../DHE08MA4	126	16600	34000
0.37	1.7	1740	1.45	887.8	BK60G20-../DHE08MA4	126	16600	34000
0.37	1.5	2050	1.2	1016	BK60G20-../DHE08MA4	126	16600	34000
0.37	1.1	2850	0.88	1322	BK60G20-../DHE08MA4	126	16600	34000
0.37	2.0	1760	3.0	733.6	BK70Z-../DHE08MA4	207	24100	50000
0.37	1.7	1720	3.3	847.7	BK70G20-../DHE08MA4	205	24100	50000
0.37	1.5	1950	2.9	964.6	BK70G20-../DHE08MA4	205	24100	50000
0.37	1.3	2250	2.5	1139	BK70G20-../DHE08MA4	205	24100	50000
0.37	1.2	2550	2.2	1280	BK70G20-../DHE08MA4	205	24100	50000
0.37	1.0	3100	1.85	1457	BK70G20-../DHE08MA4	205	24100	50000
0.37	0.85	3700	1.55	1696	BK70G20-../DHE08MA4	205	24100	50000
0.37	0.75	4150	1.35	2040	BK70G20-../DHE08MA4	205	24100	50000
0.37	0.6	5200	1.1	2578	BK70G20-../DHE08MA4	205	24100	50000
0.37	0.65	4000	2.9	2205	BK80G40-../DHE08MA4	347	30000	75000
0.37	0.6	4400	2.6	2449	BK80G40-../DHE08MA4	347	30000	75000
0.37	0.55	4950	2.3	2811	BK80G40-../DHE08MA4	347	30000	75000
0.37	0.46	6200	1.85	3120	BK80G40-../DHE08MA4	347	30000	75000
0.37	0.38	7800	1.45	3776	BK80G40-../DHE08MA4	347	30000	75000
0.37	0.33	9200	1.25	4461	BK80G40-../DHE08MA4	347	30000	75000

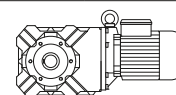
The torques marked (*) are maximum permissible torques for service factor f_B=1.0.

0.37 kW



P _N [kW]	n ₂ [1/min]	50 Hz		i [:1]	Type	m [kg]	[N]	[N]
		M ₂ [Nm]	f _B [—]					
0.37	0.29	10700	1.05	5032	BK80G40-../DHE08MA4	347	30000	75000
0.37	0.39	6900	2.7	3672	BK90G50-../DHE08MA4	620	49400	120000
0.37	0.36	7700	2.4	4070	BK90G50-../DHE08MA4	620	49400	120000
0.37	0.29	10000	1.85	4952	BK90G50-../DHE08MA4	620	49400	120000
0.37	0.27	10900	1.7	5491	BK90G50-../DHE08MA4	620	49400	120000
0.37	0.23	13200	1.4	6335	BK90G50-../DHE08MA4	620	49400	120000
0.37	0.21	14700	1.25	7022	BK90G50-../DHE08MA4	620	49400	120000
0.37	0.19	16400	1.15	7862	BK90G50-../DHE08MA4	620	49400	120000

0.55 kW

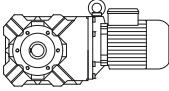


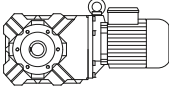
P _N [kW]	n ₂ [1/min]	50 Hz		i [:1]	Type	m [kg]	[N]	[N]
		M ₂ [Nm]	f _B [—]					
0.55	196	24.5	3.0	7.25	BK06-../DHE08LA4	16	800	-
0.55	146	33	2.4	9.71	BK06-../DHE08LA4	16	880	-
0.55	122	39.5	2.0	11.67	BK06-../DHE08LA4	16	930	-
0.55	93	51	1.55	15.29	BK06-../DHE08LA4	16	1020	-
0.55	79	59	1.35	18.00	BK06-../DHE08LA4	16	1080	-
0.55	66	71	1.15	21.54	BK06-../DHE08LA4	16	1150	-
0.55	54	87	0.92	26.36	BK06-../DHE08LA4	16	1230	-
0.55	119	40.5	2.8	11.93	BK10-../DHE08LA4	28	3100	-
0.55	84	56	2.4	16.92	BK10-../DHE08LA4	28	3700	-
0.55	77	61	3.3	18.52	BK10-../DHE08LA4	28	4300	-
0.55	63	75	2.7	22.65	BK10-../DHE08LA4	28	4650	-
0.55	49.5	95	2.1	28.76	BK10-../DHE08LA4	28	5200	-
0.55	41.5	113	1.75	34.25	BK10-../DHE08LA4	28	5600	-
0.55	35	135	1.5	40.79	BK10-../DHE08LA4	28	6000	-
0.55	29	161	1.25	48.96	BK10-../DHE08LA4	28	6400	-
0.55	23	200	1.0	61.68	BK10-../DHE08LA4	28	7000	-
0.55	20	230	0.87	72.31	BK10-../DHE08LA4	28	7000	-
0.55	39	121	2.7	36.69	BK20-../DHE08LA4	38	5400	9000
0.55	33.5	141	2.3	42.70	BK20-../DHE08LA4	38	5800	9000
0.55	28	166	2.0	51.22	BK20-../DHE08LA4	38	6300	9000
0.55	23.5	198	1.65	61.30	BK20-../DHE08LA4	38	6500	9000
0.55	18.5	245	1.35	76.79	BK20-../DHE08LA4	38	7500	9000
0.55	16.5	275	1.2	88.12	BK20-../DHE08LA4	38	8000	9000
0.55	13.5	330	0.95	108.6	BK20-../DHE08LA4	38	8700	9000
0.55	11.5	385	0.86	124.2	BK20Z-../DHE08LA4	40	8700	9000
0.55	33	141	3.2	42.89	BK30-../DHE08LA4	44	7800	12000
0.55	28.5	162	2.8	50.27	BK30-../DHE08LA4	44	8300	12000
0.55	24	192	2.3	59.27	BK30-../DHE08LA4	44	8900	12000
0.55	20	225	2.0	71.56	BK30-../DHE08LA4	44	9700	12000
0.55	16.5	270	1.65	88.38	BK30-../DHE08LA4	44	10600	12000
0.55	14	315	1.45	102.4	BK30-../DHE08LA4	44	11200	12000
0.55	11.5	385	1.15	123.9	BK30Z-../DHE08LA4	46	11200	12000
0.55	9.8	450	1.0	145.1	BK30Z-../DHE08LA4	46	11200	12000
0.55	7.7	560	0.8	184.8	BK30Z-../DHE08LA4	46	11200	12000
0.55	17	265	2.9	84.36	BK40-../DHE08LA4	64	10700	17000
0.55	14	315	2.5	104.0	BK40-../DHE08LA4	64	11700	17000
0.55	12	370	2.1	118.2	BK40Z-../DHE08LA4	69	11700	17000
0.55	9.9	445	1.75	143.0	BK40Z-../DHE08LA4	69	11700	17000
0.55	8.4	510	1.55	169.0	BK40Z-../DHE08LA4	69	11700	17000
0.55	6.7	640	1.2	211.5	BK40Z-../DHE08LA4	69	11700	17000
0.55	5.8	730	1.05	246.6	BK40Z-../DHE08LA4	69	11700	17000
0.55	4.9	860	0.8	289.8	BK40Z-../DHE08LA4	69	11700	17000
0.55	12.5	355	3.0	115.4	BK50Z-../DHE08LA4	98	14100	26000
0.55	9.3	465	2.3	153.3	BK50Z-../DHE08LA4	98	14100	26000
0.55	6.9	620	1.7	206.8	BK50Z-../DHE08LA4	98	14100	26000
0.55	5.4	780	1.35	264.5	BK50Z-../DHE08LA4	98	14100	26000

The torques marked (*) are maximum permissible torques for service factor f_B=1.0.

BK-series bevel geared motors

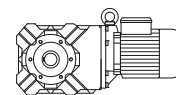
Selection - bevel geared motors

0.55 kW								
P _N [kW]	n ₂ [1/min]	50 Hz		i [:1]	Type	m		
		M ₂ [Nm]	f _B [—]			[kg]	[N]	[N]
0.55	4.4	960	1.05	328.2	BK50Z-../DHE08LA4	98	14100	26000
0.55	3.1	1290	0.89	465.1	BK50G10-../DHE08LA4	102	14100	111000
0.55	2.8	1420	0.81	513.4	BK50G10-../DHE08LA4	102	14100	111000
0.55	7.0	750	3.1	205.0	BK60Z-../DHE08LA4	120	16600	34000
0.55	6.0	870	2.6	239.7	BK60Z-../DHE08LA4	120	16600	34000
0.55	5.3	990	2.3	268.2	BK60Z-../DHE08LA4	120	16600	34000
0.55	4.5	1160	2.0	317.7	BK60Z-../DHE08LA4	120	16600	34000
0.55	4.0	1310	1.75	355.5	BK60Z-../DHE08LA4	120	16600	34000
0.55	3.5	1500	1.55	411.5	BK60Z-../DHE08LA4	120	16600	34000
0.55	3.1	1690	1.35	460.4	BK60Z-../DHE08LA4	120	16600	34000
0.55	2.9	1810	1.25	498.0	BK60Z-../DHE08LA4	120	16600	34000
0.55	2.6	2000	1.15	557.2	BK60Z-../DHE08LA4	120	16600	34000
0.55	2.3	2000	1.25	621.5	BK60G20-../DHE08LA4	128	16600	34000
0.55	1.9	2400	1.05	752.1	BK60G20-../DHE08LA4	128	16600	34000
0.55	1.6	2900	0.86	887.8	BK60G20-../DHE08LA4	128	16600	34000
0.55	3.3	1590	3.3	432.1	BK70Z-../DHE08LA4	208	24100	50000
0.55	2.9	1810	2.9	501.8	BK70Z-../DHE08LA4	208	24100	50000
0.55	2.5	2100	2.5	570.8	BK70Z-../DHE08LA4	208	24100	50000
0.55	2.2	2350	2.2	644.9	BK70Z-../DHE08LA4	208	24100	50000
0.55	2.0	2600	2.0	733.6	BK70Z-../DHE08LA4	208	24100	50000
0.55	1.7	2700	2.1	847.7	BK70G20-../DHE08LA4	206	24100	50000
0.55	1.5	3050	1.85	964.6	BK70G20-../DHE08LA4	206	24100	50000
0.55	1.3	3600	1.6	1139	BK70G20-../DHE08LA4	206	24100	50000
0.55	1.2	4000	1.45	1280	BK70G20-../DHE08LA4	206	24100	50000
0.55	1.0	4800	1.2	1457	BK70G20-../DHE08LA4	206	24100	50000
0.55	1.1	3750	3.1	1307	BK80G40-../DHE08LA4	348	30000	75000
0.55	1.0	4050	2.8	1425	BK80G40-../DHE08LA4	348	30000	75000
0.55	0.9	4600	2.5	1583	BK80G40-../DHE08LA4	348	30000	75000
0.55	0.8	5200	2.2	1775	BK80G40-../DHE08LA4	348	30000	75000
0.55	0.65	6600	1.75	2205	BK80G40-../DHE08LA4	348	30000	75000
0.55	0.6	7300	1.6	2449	BK80G40-../DHE08LA4	348	30000	75000
0.55	0.55	8000	1.45	2811	BK80G40-../DHE08LA4	348	30000	75000
0.55	0.46	9900	1.15	3120	BK80G40-../DHE08LA4	348	30000	75000
0.55	0.55	7400	2.5	2764	BK90G50-../DHE08LA4	621	49400	120000
0.55	0.47	9000	2.1	3065	BK90G50-../DHE08LA4	621	49400	120000
0.55	0.39	11300	1.65	3672	BK90G50-../DHE08LA4	621	49400	120000
0.55	0.35	12900	1.45	4070	BK90G50-../DHE08LA4	621	49400	120000
0.55	0.29	16000	1.15	4952	BK90G50-../DHE08LA4	621	49400	120000
0.55	0.26	18000	1.05	5491	BK90G50-../DHE08LA4	621	49400	120000

0.75 kW								
P _N [kW]	n ₂ [1/min]	50 Hz		i [:1]	Type	m		
		M ₂ [Nm]	f _B [—]			[kg]	[N]	[N]
0.75	197	33	2.2	7.25	BK06-../DPE08XB4	18	800	-
0.75	147	44.5	1.8	9.71	BK06-../DPE08XB4	18	880	-
0.75	123	53	1.5	11.67	BK06-../DPE08XB4	18	930	-
0.75	94	69	1.15	15.29	BK06-../DPE08XB4	18	1020	-
0.75	80	80	1.0	18.00	BK06-../DPE08XB4	18	1080	-
0.75	67	96	0.83	21.54	BK06-../DPE08XB4	18	1150	-
0.75	186	35	3.3	7.68	BK10-../DPE08XB4	30	2400	-
0.75	152	43	2.7	9.40	BK10-../DPE08XB4	30	2700	-
0.75	120	54	2.1	11.93	BK10-../DPE08XB4	30	3100	-
0.75	99	65	3.1	14.50	BK10-../DPE08XB4	30	3900	-
0.75	85	75	1.8	16.92	BK10-../DPE08XB4	30	3700	-
0.75	77	83	2.4	18.52	BK10-../DPE08XB4	30	4300	-
0.75	63	102	1.95	22.65	BK10-../DPE08XB4	30	4650	-
0.75	50	128	1.55	28.76	BK10-../DPE08XB4	30	5200	-
0.75	42	153	1.3	34.25	BK10-../DPE08XB4	30	5600	-
0.75	35	184	1.1	40.79	BK10-../DPE08XB4	30	6000	-

The torques marked (*) are maximum permissible torques for service factor f_B=1.0.

0.75 kW



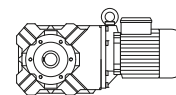
P _N [kW]	n ₂ [1/min]	50 Hz		i [:1]	Type	m [kg]	[N]	[N]
		M ₂ [Nm]	f _B [-]					
0.75	29.5	215	0.93	48.96	BK10-../DPE08XB4	30	6400	-
0.75	82	79	2.9	17.42	BK20-../DPE08XB4	39	3250	9000
0.75	59	109	3.0	24.29	BK20-../DPE08XB4	39	4500	9000
0.75	50	128	2.6	28.66	BK20-../DPE08XB4	39	4850	9000
0.75	39	165	2.0	36.69	BK20-../DPE08XB4	39	5400	9000
0.75	33.5	192	1.7	42.70	BK20-../DPE08XB4	39	5800	9000
0.75	28	225	1.45	51.22	BK20-../DPE08XB4	39	6300	9000
0.75	23.5	270	1.2	61.30	BK20-../DPE08XB4	39	6500	9000
0.75	19	330	1.0	76.79	BK20-../DPE08XB4	39	7500	9000
0.75	16.5	375	0.88	88.12	BK20-../DPE08XB4	39	8000	9000
0.75	42.5	151	3.0	33.70	BK30-../DPE08XB4	45	7000	12000
0.75	33.5	190	2.4	42.89	BK30-../DPE08XB4	45	7800	12000
0.75	28.5	220	2.0	50.27	BK30-../DPE08XB4	45	8300	12000
0.75	24.5	255	1.75	59.27	BK30-../DPE08XB4	45	8900	12000
0.75	20	310	1.45	71.56	BK30-../DPE08XB4	45	9700	12000
0.75	16.5	370	1.2	88.38	BK30-../DPE08XB4	45	10600	12000
0.75	14	430	1.05	102.4	BK30-../DPE08XB4	45	11200	12000
0.75	12	500	0.9	123.9	BK30Z-../DPE08XB4	48	11200	12000
0.75	24	260	3.0	59.66	BK40-../DPE08XB4	66	9100	17000
0.75	20.5	300	2.6	70.11	BK40-../DPE08XB4	66	9800	17000
0.75	17	365	2.1	84.36	BK40-../DPE08XB4	66	10700	17000
0.75	14	430	1.8	104.0	BK40-../DPE08XB4	66	11700	17000
0.75	12.5	485	1.6	118.2	BK40Z-../DPE08XB4	70	11700	17000
0.75	10	600	1.3	143.0	BK40Z-../DPE08XB4	70	11700	17000
0.75	8.5	690	1.15	169.0	BK40Z-../DPE08XB4	70	11700	17000
0.75	6.8	860	0.91	211.5	BK40Z-../DPE08XB4	70	11700	17000
0.75	19	325	3.2	75.40	BK50-../DPE08XB4	94	12600	26000
0.75	15	410	2.6	95.29	BK50-../DPE08XB4	94	14100	26000
0.75	12.5	485	2.2	115.4	BK50Z-../DPE08XB4	99	14100	26000
0.75	9.3	630	1.65	153.3	BK50Z-../DPE08XB4	99	14100	26000
0.75	6.9	850	1.25	206.8	BK50Z-../DPE08XB4	99	14100	26000
0.75	5.4	1070	0.98	264.5	BK50Z-../DPE08XB4	99	14100	26000
0.75	9.3	770	3.0	153.7	BK60Z-../DPE08XB4	122	16600	34000
0.75	7.8	910	2.5	183.2	BK60Z-../DPE08XB4	122	16600	34000
0.75	7.0	1020	2.3	205.0	BK60Z-../DPE08XB4	122	16600	34000
0.75	6.0	1190	1.95	239.7	BK60Z-../DPE08XB4	122	16600	34000
0.75	5.4	1320	1.75	268.2	BK60Z-../DPE08XB4	122	16600	34000
0.75	4.5	1590	1.45	317.7	BK60Z-../DPE08XB4	122	16600	34000
0.75	4.1	1740	1.3	355.5	BK60Z-../DPE08XB4	122	16600	34000
0.75	3.5	2000	1.15	411.5	BK60Z-../DPE08XB4	122	16600	34000
0.75	3.1	2300	1.0	460.4	BK60Z-../DPE08XB4	122	16600	34000
0.75	2.9	2450	0.94	498.0	BK60Z-../DPE08XB4	122	16600	34000
0.75	2.6	2750	0.84	557.2	BK60Z-../DPE08XB4	122	16600	34000
0.75	2.3	2850	0.88	621.5	BK60G20-../DPE08XB4	129	16600	34000
0.75	4.3	1660	3.1	333.6	BK70Z-../DPE08XB4	210	24100	50000
0.75	3.8	1880	2.8	379.9	BK70Z-../DPE08XB4	210	24100	50000
0.75	3.3	2150	2.4	432.1	BK70Z-../DPE08XB4	210	24100	50000
0.75	2.9	2450	2.1	501.8	BK70Z-../DPE08XB4	210	24100	50000
0.75	2.5	2850	1.8	570.8	BK70Z-../DPE08XB4	210	24100	50000
0.75	2.3	3100	1.7	644.9	BK70Z-../DPE08XB4	210	24100	50000
0.75	2.0	3550	1.45	733.6	BK70Z-../DPE08XB4	210	24100	50000
0.75	1.7	3850	1.5	847.7	BK70G20-../DPE08XB4	208	24100	50000
0.75	1.5	4350	1.3	964.6	BK70G20-../DPE08XB4	208	24100	50000
0.75	1.3	5000	1.15	1139	BK70G20-../DPE08XB4	208	24100	50000
0.75	1.2	5500	1.05	1280	BK70G20-../DPE08XB4	208	24100	50000
0.75	1.0	6700	0.85	1457	BK70G20-../DPE08XB4	208	24100	50000
0.75	1.5	3850	3.0	963.0	BK80G40-../DPE08XB4	350	30000	75000
0.75	1.4	4100	2.8	1079	BK80G40-../DPE08XB4	350	30000	75000
0.75	1.1	5400	2.1	1307	BK80G40-../DPE08XB4	350	30000	75000
0.75	1.0	5900	1.95	1425	BK80G40-../DPE08XB4	350	30000	75000
0.75	0.95	6300	1.85	1583	BK80G40-../DPE08XB4	350	30000	75000
0.75	0.85	7100	1.6	1775	BK80G40-../DPE08XB4	350	30000	75000
0.75	0.65	9600	1.2	2205	BK80G40-../DPE08XB4	350	30000	75000

The torques marked (*) are maximum permissible torques for service factor f_B=1.0.

BK-series bevel geared motors

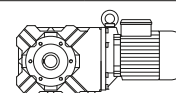
Selection - bevel geared motors

0.75 kW



P _N [kW]	n ₂ [1/min]	50 Hz		i [:1]	Type	m [kg]	[N]	[N]
		M ₂ [Nm]	f _B [—]					
0.75	0.6	10400	1.1	2449	BK80G40-../DPE08XB4	350	30000	75000
0.75	0.95	6000	3.1	1579	BK90G50-../DPE08XB4	622	49400	120000
0.75	0.8	7200	2.6	1803	BK90G50-../DPE08XB4	622	49400	120000
0.75	0.75	7600	2.4	2016	BK90G50-../DPE08XB4	622	49400	120000
0.75	0.55	10900	1.7	2764	BK90G50-../DPE08XB4	622	49400	120000
0.75	0.47	13100	1.4	3065	BK90G50-../DPE08XB4	622	49400	120000
0.75	0.39	16200	1.15	3672	BK90G50-../DPE08XB4	622	49400	120000
0.75	0.36	17700	1.05	4070	BK90G50-../DPE08XB4	622	49400	120000

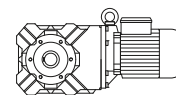
1.1 kW



P _N [kW]	n ₂ [1/min]	50 Hz		i [:1]	Type	m [kg]	[N]	[N]
		M ₂ [Nm]	f _B [—]					
1.1	325	29.5	3.2	4.44	BK10-../DPE09XA4	40	1900	-
1.1	240	40	2.6	6.02	BK10-../DPE09XA4	40	2100	-
1.1	188	51	2.3	7.68	BK10-../DPE09XA4	40	2400	-
1.1	154	62	1.85	9.40	BK10-../DPE09XA4	40	2700	-
1.1	135	70	2.6	10.70	BK10-../DPE09XA4	40	3500	-
1.1	121	79	1.45	11.93	BK10-../DPE09XA4	40	3100	-
1.1	100	94	2.1	14.50	BK10-../DPE09XA4	40	3900	-
1.1	86	109	1.25	16.92	BK10-../DPE09XA4	40	3700	-
1.1	78	121	1.65	18.52	BK10-../DPE09XA4	40	4300	-
1.1	64	147	1.35	22.65	BK10-../DPE09XA4	40	4650	-
1.1	51	185	1.1	28.76	BK10-../DPE09XA4	40	5200	-
1.1	42.5	220	0.91	34.25	BK10-../DPE09XA4	40	5600	-
1.1	124	77	3.0	11.69	BK20-../DPE09XA4	50	2400	8800
1.1	83	115	2.0	17.42	BK20-../DPE09XA4	50	3250	9000
1.1	75	126	2.6	19.39	BK20-../DPE09XA4	50	4050	9000
1.1	60	157	2.1	24.29	BK20-../DPE09XA4	50	4500	9000
1.1	51	185	1.8	28.66	BK20-../DPE09XA4	50	4850	9000
1.1	39.5	235	1.4	36.69	BK20-../DPE09XA4	50	5400	9000
1.1	34	275	1.2	42.70	BK20-../DPE09XA4	50	5800	9000
1.1	28.5	325	1.0	51.22	BK20-../DPE09XA4	50	6300	9000
1.1	23.5	395	0.84	61.30	BK20-../DPE09XA4	50	6500	9000
1.1	70	136	2.4	20.85	BK30-../DPE09XA4	56	5000	12000
1.1	63	150	3.0	23.20	BK30-../DPE09XA4	56	5900	12000
1.1	51	185	2.4	28.76	BK30-../DPE09XA4	56	6500	12000
1.1	43	215	2.1	33.70	BK30-../DPE09XA4	56	7000	12000
1.1	34	270	1.65	42.89	BK30-../DPE09XA4	56	7800	12000
1.1	29	315	1.45	50.27	BK30-../DPE09XA4	56	8300	12000
1.1	24.5	375	1.2	59.27	BK30-../DPE09XA4	56	8900	12000
1.1	20.5	445	1.0	71.56	BK30-../DPE09XA4	56	9700	12000
1.1	16.5	540	0.83	88.38	BK30-../DPE09XA4	56	10600	12000
1.1	35.5	265	2.9	40.88	BK40-../DPE09XA4	76	7600	17000
1.1	28.5	320	2.4	51.18	BK40-../DPE09XA4	76	8400	17000
1.1	24.5	375	2.1	59.66	BK40-../DPE09XA4	76	9100	17000
1.1	21	435	1.8	70.11	BK40-../DPE09XA4	76	9800	17000
1.1	17.5	520	1.5	84.36	BK40-../DPE09XA4	76	10700	17000
1.1	14	630	1.25	104.0	BK40-../DPE09XA4	76	11700	17000
1.1	12.5	710	1.1	118.2	BK40Z-../DPE09XA4	80	11700	17000
1.1	10.5	840	0.93	143.0	BK40Z-../DPE09XA4	80	11700	17000
1.1	24	385	2.7	60.76	BK50-../DPE09XA4	104	11400	26000
1.1	19.5	465	2.3	75.40	BK50-../DPE09XA4	104	12600	26000
1.1	15.5	580	1.8	95.29	BK50-../DPE09XA4	104	14100	26000
1.1	12.5	710	1.5	115.4	BK50Z-../DPE09XA4	109	14100	26000
1.1	9.4	920	1.15	153.3	BK50Z-../DPE09XA4	109	14100	26000
1.1	7.0	1230	0.85	206.8	BK50Z-../DPE09XA4	109	14100	26000
1.1	14.5	720	3.2	101.2	BK60-../DPE09XA4	113	13900	34000
1.1	13	800	2.9	113.2	BK60-../DPE09XA4	113	15000	34000

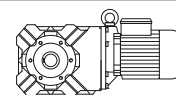
The torques marked (*) are maximum permissible torques for service factor f_B=1.0.

1.1 kW



P _N [kW]	n ₂ [1/min]	50 Hz		i [:1]	Type	m		
		M ₂ [Nm]	f _B [—]			[kg]	[N]	[N]
1.1	12	870	2.6	122.5	BK60-../DPE09XA4	113	15500	34000
1.1	11	950	2.4	137.0	BK60-../DPE09XA4	113	16600	34000
1.1	9.4	1110	2.1	153.7	BK60Z-../DPE09XA4	132	16600	34000
1.1	7.9	1320	1.75	183.2	BK60Z-../DPE09XA4	132	16600	34000
1.1	7.1	1470	1.55	205.0	BK60Z-../DPE09XA4	132	16600	34000
1.1	6.1	1720	1.35	239.7	BK60Z-../DPE09XA4	132	16600	34000
1.1	5.4	1940	1.2	268.2	BK60Z-../DPE09XA4	132	16600	34000
1.1	4.6	2250	1.0	317.7	BK60Z-../DPE09XA4	132	16600	34000
1.1	4.1	2550	0.9	355.5	BK60Z-../DPE09XA4	132	16600	34000
1.1	6.4	1640	3.2	226.2	BK70Z-../DPE09XA4	220	24100	50000
1.1	5.6	1870	2.8	257.3	BK70Z-../DPE09XA4	220	24100	50000
1.1	5.0	2100	2.5	293.3	BK70Z-../DPE09XA4	220	24100	50000
1.1	4.4	2350	2.2	333.6	BK70Z-../DPE09XA4	220	24100	50000
1.1	3.8	2750	1.9	379.9	BK70Z-../DPE09XA4	220	24100	50000
1.1	3.4	3050	1.7	432.1	BK70Z-../DPE09XA4	220	24100	50000
1.1	2.9	3600	1.45	501.8	BK70Z-../DPE09XA4	220	24100	50000
1.1	2.6	4000	1.3	570.8	BK70Z-../DPE09XA4	220	24100	50000
1.1	2.3	4550	1.15	644.9	BK70Z-../DPE09XA4	220	24100	50000
1.1	2.0	5200	1.0	733.6	BK70Z-../DPE09XA4	220	24100	50000
1.1	1.7	5800	0.98	847.7	BK70G20-../DPE09XA4	218	24100	50000
1.1	1.5	6500	0.88	964.6	BK70G20-../DPE09XA4	218	24100	50000
1.1	2.9	3600	3.2	499.5	BK80Z-../DPE09XA4	349	30000	75000
1.1	2.6	4000	2.9	559.5	BK80Z-../DPE09XA4	349	30000	75000
1.1	2.4	3600	3.2	607.8	BK80G40-../DPE09XA4	360	30000	75000
1.1	2.2	3900	2.9	680.9	BK80G40-../DPE09XA4	360	30000	75000
1.1	2.0	4400	2.6	756.3	BK80G40-../DPE09XA4	360	30000	75000
1.1	1.7	5200	2.2	847.2	BK80G40-../DPE09XA4	360	30000	75000
1.1	1.5	6100	1.9	963.0	BK80G40-../DPE09XA4	360	30000	75000
1.1	1.4	6400	1.8	1079	BK80G40-../DPE09XA4	360	30000	75000
1.1	1.2	7700	1.5	1307	BK80G40-../DPE09XA4	360	30000	75000
1.1	1.1	8300	1.4	1425	BK80G40-../DPE09XA4	360	30000	75000
1.1	0.95	9800	1.15	1583	BK80G40-../DPE09XA4	360	30000	75000
1.1	0.85	11000	1.05	1775	BK80G40-../DPE09XA4	360	30000	75000
1.1	1.5	5600	3.3	1008	BK90G50-../DPE09XA4	633	49400	120000
1.1	1.3	6500	2.8	1127	BK90G50-../DPE09XA4	633	49400	120000
1.1	1.1	8300	2.2	1363	BK90G50-../DPE09XA4	633	49400	120000
1.1	0.95	9500	1.95	1579	BK90G50-../DPE09XA4	633	49400	120000
1.1	0.8	11400	1.6	1803	BK90G50-../DPE09XA4	633	49400	120000
1.1	0.75	12000	1.55	2016	BK90G50-../DPE09XA4	633	49400	120000
1.1	0.55	16900	1.1	2764	BK90G50-../DPE09XA4	633	49400	120000

1.5 kW



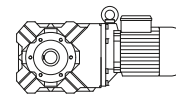
P _N [kW]	n ₂ [1/min]	50 Hz		i [:1]	Type	m		
		M ₂ [Nm]	f _B [—]			[kg]	[N]	[N]
1.5	325	40.5	2.3	4.44	BK10-../DPE09XB4	40	1900	-
1.5	240	54	1.95	6.02	BK10-../DPE09XB4	40	2100	-
1.5	187	70	1.65	7.68	BK10-../DPE09XB4	40	2400	-
1.5	153	86	1.35	9.40	BK10-../DPE09XB4	40	2700	-
1.5	135	95	1.9	10.70	BK10-../DPE09XB4	40	3500	-
1.5	121	108	1.05	11.93	BK10-../DPE09XB4	40	3100	-
1.5	99	130	1.55	14.50	BK10-../DPE09XB4	40	3900	-
1.5	85	151	0.9	16.92	BK10-../DPE09XB4	40	3700	-
1.5	78	165	1.2	18.52	BK10-../DPE09XB4	40	4300	-
1.5	64	200	1.0	22.65	BK10-../DPE09XB4	40	4650	-
1.5	182	72	3.2	7.91	BK20-../DPE09XB4	50	1330	7600
1.5	145	90	2.6	9.91	BK20-../DPE09XB4	50	1910	8300
1.5	129	99	3.0	11.14	BK20-../DPE09XB4	50	3300	8100
1.5	123	107	2.2	11.69	BK20-../DPE09XB4	50	2400	8800
1.5	98	131	2.5	14.75	BK20-../DPE09XB4	50	3650	9000
1.5	83	157	1.45	17.42	BK20-../DPE09XB4	50	3250	9000

The torques marked (*) are maximum permissible torques for service factor f_B=1.0.

BK-series bevel geared motors

Selection - bevel geared motors

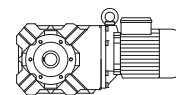
1.5 kW



P _N [kW]	n ₂ [1/min]	50 Hz		i [:1]	Type	m [kg]	[N]	[N]
		M ₂ [Nm]	f _B [-]					
1.5	75	171	1.95	19.39	BK20-../DPE09XB4	50	4050	9000
1.5	60	210	1.55	24.29	BK20-../DPE09XB4	50	4500	9000
1.5	51	250	1.3	28.66	BK20-../DPE09XB4	50	4850	9000
1.5	39.5	325	1.0	36.69	BK20-../DPE09XB4	50	5400	9000
1.5	34	375	0.88	42.70	BK20-../DPE09XB4	50	5800	9000
1.5	121	108	3.0	11.93	BK30-../DPE09XB4	56	3650	12000
1.5	103	126	2.5	13.98	BK30-../DPE09XB4	56	4050	12000
1.5	80	161	2.8	17.95	BK30-../DPE09XB4	56	5300	12000
1.5	69	188	1.7	20.85	BK30-../DPE09XB4	56	5000	12000
1.5	62	205	2.2	23.20	BK30-../DPE09XB4	56	5900	12000
1.5	50	255	1.75	28.76	BK30-../DPE09XB4	56	6500	12000
1.5	43	295	1.55	33.70	BK30-../DPE09XB4	56	7000	12000
1.5	33.5	380	1.2	42.89	BK30-../DPE09XB4	56	7800	12000
1.5	29	430	1.05	50.27	BK30-../DPE09XB4	56	8300	12000
1.5	24.5	510	0.88	59.27	BK30-../DPE09XB4	56	8900	12000
1.5	51	250	3.1	28.59	BK40-../DPE09XB4	76	6300	17000
1.5	41.5	310	2.5	34.61	BK40-../DPE09XB4	76	6900	17000
1.5	35.5	360	2.2	40.88	BK40-../DPE09XB4	76	7600	17000
1.5	28.5	440	1.75	51.18	BK40-../DPE09XB4	76	8400	17000
1.5	24.5	510	1.55	59.66	BK40-../DPE09XB4	76	9100	17000
1.5	20.5	600	1.3	70.11	BK40-../DPE09XB4	76	9800	17000
1.5	17.5	710	1.1	84.36	BK40-../DPE09XB4	76	10700	17000
1.5	14	860	0.91	104.0	BK40-../DPE09XB4	76	11700	17000
1.5	12.5	970	0.8	118.2	BK40Z-../DPE09XB4	80	11700	17000
1.5	30.5	415	2.5	47.50	BK50-../DPE09XB4	104	10100	25700
1.5	24	520	2.0	60.76	BK50-../DPE09XB4	104	11400	26000
1.5	19.5	630	1.65	75.40	BK50-../DPE09XB4	104	12600	26000
1.5	15.5	790	1.35	95.29	BK50-../DPE09XB4	104	14100	26000
1.5	12.5	970	1.1	115.4	BK50Z-../DPE09XB4	109	14100	26000
1.5	9.4	1260	0.83	153.3	BK50Z-../DPE09XB4	109	14100	26000
1.5	18.5	770	3.0	78.13	BK60-../DPE09XB4	113	11900	34000
1.5	16.5	860	2.7	87.41	BK60-../DPE09XB4	113	12900	34000
1.5	14.5	980	2.3	101.2	BK60-../DPE09XB4	113	13900	34000
1.5	13	1100	2.1	113.2	BK60-../DPE09XB4	113	15000	34000
1.5	12	1190	1.95	122.5	BK60-../DPE09XB4	113	15500	34000
1.5	10.5	1360	1.7	137.0	BK60-../DPE09XB4	113	16600	34000
1.5	9.4	1520	1.5	153.7	BK60Z-../DPE09XB4	132	16600	34000
1.5	7.9	1810	1.25	183.2	BK60Z-../DPE09XB4	132	16600	34000
1.5	7.0	2000	1.15	205.0	BK60Z-../DPE09XB4	132	16600	34000
1.5	6.0	2350	0.98	239.7	BK60Z-../DPE09XB4	132	16600	34000
1.5	5.4	2650	0.87	268.2	BK60Z-../DPE09XB4	132	16600	34000
1.5	8.2	1740	3.0	175.7	BK70-../DPE09XB4	199	24100	50000
1.5	7.6	1880	2.8	190.4	BK70Z-../DPE09XB4	220	24100	50000
1.5	6.4	2200	2.4	226.2	BK70Z-../DPE09XB4	220	24100	50000
1.5	5.6	2550	2.0	257.3	BK70Z-../DPE09XB4	220	24100	50000
1.5	4.9	2900	1.8	293.3	BK70Z-../DPE09XB4	220	24100	50000
1.5	4.4	3250	1.6	333.6	BK70Z-../DPE09XB4	220	24100	50000
1.5	3.8	3750	1.4	379.9	BK70Z-../DPE09XB4	220	24100	50000
1.5	3.4	4200	1.25	432.1	BK70Z-../DPE09XB4	220	24100	50000
1.5	2.9	4900	1.05	501.8	BK70Z-../DPE09XB4	220	24100	50000
1.5	2.6	5500	0.95	570.8	BK70Z-../DPE09XB4	220	24100	50000
1.5	2.3	6200	0.84	644.9	BK70Z-../DPE09XB4	220	24100	50000
1.5	3.7	3850	3.0	389.0	BK80Z-../DPE09XB4	349	30000	75000
1.5	3.3	4300	2.7	435.7	BK80Z-../DPE09XB4	349	30000	75000
1.5	2.9	4900	2.3	499.5	BK80Z-../DPE09XB4	349	30000	75000
1.5	2.6	5500	2.1	559.5	BK80Z-../DPE09XB4	349	30000	75000
1.5	2.4	5200	2.2	607.8	BK80G40-../DPE09XB4	360	30000	75000
1.5	2.2	5600	2.1	680.9	BK80G40-../DPE09XB4	360	30000	75000
1.5	1.9	6700	1.7	756.3	BK80G40-../DPE09XB4	360	30000	75000
1.5	1.7	7500	1.55	847.2	BK80G40-../DPE09XB4	360	30000	75000
1.5	1.5	8600	1.35	963.0	BK80G40-../DPE09XB4	360	30000	75000
1.5	1.4	9200	1.25	1079	BK80G40-../DPE09XB4	360	30000	75000
1.5	1.1	11800	0.97	1425	BK80G40-../DPE09XB4	360	30000	75000

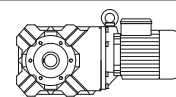
The torques marked (*) are maximum permissible torques for service factor f_B=1.0.

1.5 kW



P _N [kW]	n ₂ [1/min]	50 Hz		i [:1]	Type	m		
		M ₂ [Nm]	f _B [—]			[kg]	[N]	[N]
1.5	2.3	6200	3.0	637.7	BK90Z-../DPE09XB4	622	49400	120000
1.5	2.1	6800	2.7	713.5	BK90Z-../DPE09XB4	622	49400	120000
1.5	1.8	6600	2.8	821.0	BK90G50-../DPE09XB4	633	49400	120000
1.5	1.7	7200	2.6	882.3	BK90G50-../DPE09XB4	633	49400	120000
1.5	1.5	8200	2.3	1008	BK90G50-../DPE09XB4	633	49400	120000
1.5	1.3	9500	1.95	1127	BK90G50-../DPE09XB4	633	49400	120000
1.5	1.1	11800	1.55	1363	BK90G50-../DPE09XB4	633	49400	120000
1.5	0.95	13500	1.35	1579	BK90G50-../DPE09XB4	633	49400	120000
1.5	0.8	16100	1.15	1803	BK90G50-../DPE09XB4	633	49400	120000
1.5	0.75	17100	1.1	2016	BK90G50-../DPE09XB4	633	49400	120000

2.2 kW



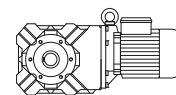
P _N [kW]	n ₂ [1/min]	50 Hz		i [:1]	Type	m		
		M ₂ [Nm]	f _B [—]			[kg]	[N]	[N]
2.2	330	58	1.65	4.44	BK10-../DPE09XB4C	40	1900	-
2.2	245	78	1.35	6.02	BK10-../DPE09XB4C	40	2100	-
2.2	189	102	1.15	7.68	BK10-../DPE09XB4C	40	2400	-
2.2	155	124	0.93	9.40	BK10-../DPE09XB4C	40	2700	-
2.2	136	139	1.3	10.70	BK10-../DPE09XB4C	40	3500	-
2.2	100	189	1.05	14.50	BK10-../DPE09XB4C	40	3900	-
2.2	79	235	0.85	18.52	BK10-../DPE09XB4C	40	4300	-
2.2	320	60	3.3	4.54	BK20-../DPE09XB4C	50	520	6100
2.2	245	78	2.8	6.02	BK20-../DPE09XB4C	50	580	6800
2.2	184	105	2.2	7.91	BK20-../DPE09XB4C	50	1330	7600
2.2	147	131	1.75	9.91	BK20-../DPE09XB4C	50	1910	8300
2.2	131	144	2.1	11.14	BK20-../DPE09XB4C	50	3300	8100
2.2	125	154	1.5	11.69	BK20-../DPE09XB4C	50	2400	8800
2.2	99	191	1.75	14.75	BK20-../DPE09XB4C	50	3650	9000
2.2	84	225	1.05	17.42	BK20-../DPE09XB4C	50	3250	9000
2.2	75	250	1.3	19.39	BK20-../DPE09XB4C	50	4050	9000
2.2	60	315	1.05	24.29	BK20-../DPE09XB4C	50	4500	9000
2.2	51	370	0.89	28.66	BK20-../DPE09XB4C	50	4850	9000
2.2	310	62	3.1	4.73	BK30-../DPE09XB4C	56	1550	8800
2.2	245	78	2.7	6.02	BK30-../DPE09XB4C	56	1690	9600
2.2	195	99	2.7	7.45	BK30-../DPE09XB4C	56	2200	10400
2.2	151	128	2.5	9.63	BK30-../DPE09XB4C	56	3150	11500
2.2	128	147	2.8	11.39	BK30-../DPE09XB4C	56	4150	11000
2.2	122	158	2.0	11.93	BK30-../DPE09XB4C	56	3650	12000
2.2	104	183	1.75	13.98	BK30-../DPE09XB4C	56	4050	12000
2.2	100	189	2.4	14.50	BK30-../DPE09XB4C	56	4900	12000
2.2	81	230	1.95	17.95	BK30-../DPE09XB4C	56	5300	12000
2.2	70	270	1.2	20.85	BK30-../DPE09XB4C	56	5000	12000
2.2	63	300	1.5	23.20	BK30-../DPE09XB4C	56	5900	12000
2.2	51	370	1.2	28.76	BK30-../DPE09XB4C	56	6500	12000
2.2	43.5	430	1.05	33.70	BK30-../DPE09XB4C	56	7000	12000
2.2	34	540	0.83	42.89	BK30-../DPE09XB4C	56	7800	12000
2.2	123	157	3.1	11.86	BK40-../DPE09XB4C	76	1770	12200
2.2	65	290	2.7	22.44	BK40-../DPE09XB4C	76	5500	16500
2.2	51	370	2.1	28.59	BK40-../DPE09XB4C	76	6300	17000
2.2	42	450	1.75	34.61	BK40-../DPE09XB4C	76	6900	17000
2.2	35.5	530	1.45	40.88	BK40-../DPE09XB4C	76	7600	17000
2.2	28.5	640	1.2	51.18	BK40-../DPE09XB4C	76	8400	17000
2.2	24.5	750	1.05	59.66	BK40-../DPE09XB4C	76	9100	17000
2.2	21	870	0.9	70.11	BK40-../DPE09XB4C	76	9800	17000
2.2	81	235	3.1	17.92	BK50-../DPE09XB4C	104	4600	16800
2.2	55	340	3.1	26.51	BK50-../DPE09XB4C	104	7800	21200
2.2	41.5	455	2.3	35.21	BK50-../DPE09XB4C	104	8700	23100
2.2	31	600	1.75	47.50	BK50-../DPE09XB4C	104	10100	25700
2.2	24	770	1.35	60.76	BK50-../DPE09XB4C	104	11400	26000
2.2	19.5	930	1.15	75.40	BK50-../DPE09XB4C	104	12600	26000

The torques marked (*) are maximum permissible torques for service factor f_B=1.0.

BK-series bevel geared motors

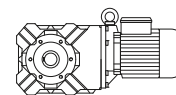
Selection - bevel geared motors

2.2 kW



P _N [kW]	n ₂ [1/min]	50 Hz		i [:1]	Type	m		
		M ₂ [Nm]	f _B [—]			[kg]	[N]	[N]
2.2	15.5	1160	0.91	95.29	BK50-../DPE09XB4C	104	14100	26000
2.2	29	720	3.2	50.40	BK60-../DPE09XB4C	113	9100	29800
2.2	25	840	2.7	58.95	BK60-../DPE09XB4C	113	9900	31500
2.2	22	950	2.4	65.95	BK60-../DPE09XB4C	113	10900	33000
2.2	19	1100	2.1	78.13	BK60-../DPE09XB4C	113	11900	34000
2.2	17	1230	1.85	87.41	BK60-../DPE09XB4C	113	12900	34000
2.2	14.5	1440	1.6	101.2	BK60-../DPE09XB4C	113	13900	34000
2.2	13	1610	1.45	113.2	BK60-../DPE09XB4C	113	15000	34000
2.2	12	1750	1.3	122.5	BK60-../DPE09XB4C	113	15500	34000
2.2	11	1910	1.2	137.0	BK60-../DPE09XB4C	113	16600	34000
2.2	9.5	2200	1.05	153.7	BK60Z-../DPE09XB4C	132	16600	34000
2.2	8.0	2600	0.88	183.2	BK60Z-../DPE09XB4C	132	16600	34000
2.2	12.5	1680	3.1	120.2	BK70-../DPE09XB4C	199	18600	50000
2.2	11	1910	2.7	136.7	BK70-../DPE09XB4C	199	20700	50000
2.2	9.4	2200	2.4	154.4	BK70-../DPE09XB4C	199	21900	50000
2.2	8.3	2500	2.1	175.7	BK70-../DPE09XB4C	199	24100	50000
2.2	7.7	2700	1.95	190.4	BK70Z-../DPE09XB4C	220	24100	50000
2.2	6.5	3200	1.65	226.2	BK70Z-../DPE09XB4C	220	24100	50000
2.2	5.7	3650	1.4	257.3	BK70Z-../DPE09XB4C	220	24100	50000
2.2	5.0	4200	1.25	293.3	BK70Z-../DPE09XB4C	220	24100	50000
2.2	4.4	4750	1.1	333.6	BK70Z-../DPE09XB4C	220	24100	50000
2.2	3.9	5300	0.98	379.9	BK70Z-../DPE09XB4C	220	24100	50000
2.2	3.4	6100	0.85	432.1	BK70Z-../DPE09XB4C	220	24100	50000
2.2	5.8	3600	3.2	253.3	BK80Z-../DPE09XB4C	349	30000	75000
2.2	4.9	4250	2.7	300.6	BK80Z-../DPE09XB4C	349	30000	75000
2.2	4.4	4750	2.4	336.7	BK80Z-../DPE09XB4C	349	30000	75000
2.2	3.8	5500	2.1	389.0	BK80Z-../DPE09XB4C	349	30000	75000
2.2	3.4	6100	1.9	435.7	BK80Z-../DPE09XB4C	349	30000	75000
2.2	3.0	7000	1.65	499.5	BK80Z-../DPE09XB4C	349	30000	75000
2.2	2.6	8000	1.45	559.5	BK80Z-../DPE09XB4C	349	30000	75000
2.2	2.4	8000	1.45	607.8	BK80G40-../DPE09XB4C	360	30000	75000
2.2	2.2	8700	1.3	680.9	BK80G40-../DPE09XB4C	360	30000	75000
2.2	2.0	9600	1.2	756.3	BK80G40-../DPE09XB4C	360	30000	75000
2.2	1.8	10700	1.05	847.2	BK80G40-../DPE09XB4C	360	30000	75000
2.2	1.6	12200	0.94	963.0	BK80G40-../DPE09XB4C	360	30000	75000
2.2	1.4	13900	0.83	1079	BK80G40-../DPE09XB4C	360	30000	75000
2.2	3.4	6100	3.0	435.3	BK90Z-../DPE09XB4C	622	49400	120000
2.2	3.0	7000	2.6	499.2	BK90Z-../DPE09XB4C	622	49400	120000
2.2	2.6	8000	2.3	558.5	BK90Z-../DPE09XB4C	622	49400	120000
2.2	2.3	9100	2.0	637.7	BK90Z-../DPE09XB4C	622	49400	120000
2.2	2.1	10000	1.85	713.5	BK90Z-../DPE09XB4C	622	49400	120000
2.2	1.8	10300	1.8	821.0	BK90G50-../DPE09XB4C	633	49400	120000
2.2	1.7	11100	1.65	882.3	BK90G50-../DPE09XB4C	633	49400	120000
2.2	1.5	12600	1.45	1008	BK90G50-../DPE09XB4C	633	49400	120000
2.2	1.3	14600	1.25	1127	BK90G50-../DPE09XB4C	633	49400	120000
2.2	1.1	17800	1.05	1363	BK90G50-../DPE09XB4C	633	49400	120000

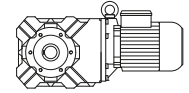
3 kW



P _N [kW]	n ₂ [1/min]	50 Hz		i [:1]	Type	m		
		M ₂ [Nm]	f _B [—]			[kg]	[N]	[N]
3	310	85	2.3	4.73	BK30-../DPE11LA4	76	1550	8800
3	245	107	2.0	6.02	BK30-../DPE11LA4	76	1690	9600
3	196	134	2.0	7.45	BK30-../DPE11LA4	76	2200	10400
3	152	173	1.85	9.63	BK30-../DPE11LA4	76	3150	11500
3	128	200	2.1	11.39	BK30-../DPE11LA4	76	4150	11000
3	122	215	1.5	11.93	BK30-../DPE11LA4	76	3650	12000
3	105	245	1.3	13.98	BK30-../DPE11LA4	76	4050	12000
3	101	255	1.75	14.50	BK30-../DPE11LA4	76	4900	12000
3	82	310	1.45	17.95	BK30-../DPE11LA4	76	5300	12000
3	63	405	1.1	23.20	BK30-../DPE11LA4	76	5900	12000

The torques marked (*) are maximum permissible torques for service factor f_B=1.0.

3 kW



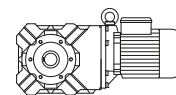
P _N [kW]	n ₂ [1/min]	50 Hz		i [:1]	Type	m [kg]	[N]	[N]
		M ₂ [Nm]	f _B [-]					
3	51	500	0.9	28.76	BK30-../DPE11LA4	76	6500	12000
3	157	167	3.0	9.31	BK40-../DPE11LA4	102	1040	11200
3	123	210	2.3	11.86	BK40-../DPE11LA4	102	1770	12200
3	101	255	3.1	14.50	BK40-../DPE11LA4	102	4500	14300
3	81	315	2.5	18.05	BK40-../DPE11LA4	102	4900	15300
3	65	395	1.95	22.44	BK40-../DPE11LA4	102	5500	16500
3	51	500	1.55	28.59	BK40-../DPE11LA4	102	6300	17000
3	42.5	600	1.3	34.61	BK40-../DPE11LA4	102	6900	17000
3	36	710	1.1	40.88	BK40-../DPE11LA4	102	7600	17000
3	82	315	2.3	17.92	BK50-../DPE11LA4	132	4600	16800
3	76	335	3.1	19.33	BK50-../DPE11LA4	132	6900	19200
3	55	465	2.3	26.51	BK50-../DPE11LA4	132	7800	21200
3	41.5	620	1.7	35.21	BK50-../DPE11LA4	132	8700	23100
3	31	820	1.3	47.50	BK50-../DPE11LA4	132	10100	25700
3	24	1050	1.0	60.76	BK50-../DPE11LA4	132	11400	26000
3	19.5	1270	0.83	75.40	BK50-../DPE11LA4	132	12600	26000
3	38.5	740	3.1	37.80	BK60-../DPE11LA4	142	7300	26500
3	32.5	880	2.6	45.05	BK60-../DPE11LA4	142	8200	28300
3	29	980	2.3	50.40	BK60-../DPE11LA4	142	9100	29800
3	25	1140	2.0	58.95	BK60-../DPE11LA4	142	9900	31500
3	22.5	1270	1.8	65.95	BK60-../DPE11LA4	142	10900	33000
3	19	1500	1.55	78.13	BK60-../DPE11LA4	142	11900	34000
3	17	1680	1.35	87.41	BK60-../DPE11LA4	142	12900	34000
3	14.5	1970	1.15	101.2	BK60-../DPE11LA4	142	13900	34000
3	13	2200	1.05	113.2	BK60-../DPE11LA4	142	15000	34000
3	12	2350	0.98	122.5	BK60-../DPE11LA4	142	15500	34000
3	11	2600	0.88	137.0	BK60-../DPE11LA4	142	16600	34000
3	16	1790	2.9	90.96	BK70-../DPE11LA4	221	15300	49900
3	14.5	1970	2.6	103.5	BK70-../DPE11LA4	221	17200	50000
3	12.5	2250	2.3	120.2	BK70-../DPE11LA4	221	18600	50000
3	11	2600	2.0	136.7	BK70-../DPE11LA4	221	20700	50000
3	9.5	3000	1.75	154.4	BK70-../DPE11LA4	221	21900	50000
3	8.3	3450	1.5	175.7	BK70-../DPE11LA4	221	24100	50000
3	7.7	3700	1.4	190.4	BK70Z-../DPE11LA4	247	24100	50000
3	6.5	4400	1.2	226.2	BK70Z-../DPE11LA4	247	24100	50000
3	5.7	5000	1.05	257.3	BK70Z-../DPE11LA4	247	24100	50000
3	5.0	5700	0.91	293.3	BK70Z-../DPE11LA4	247	24100	50000
3	4.4	6500	0.8	333.6	BK70Z-../DPE11LA4	247	24100	50000
3	8.5	3350	3.1	171.5	BK80-../DPE11LA4	336	30000	75000
3	8.2	3450	3.3	177.6	BK80Z-../DPE11LA4	378	30000	75000
3	7.4	3850	3.0	198.9	BK80Z-../DPE11LA4	378	30000	75000
3	6.5	4400	2.6	226.1	BK80Z-../DPE11LA4	378	30000	75000
3	5.8	4900	2.3	253.3	BK80Z-../DPE11LA4	378	30000	75000
3	4.9	5800	2.0	300.6	BK80Z-../DPE11LA4	378	30000	75000
3	4.4	6500	1.75	336.7	BK80Z-../DPE11LA4	378	30000	75000
3	3.8	7500	1.55	389.0	BK80Z-../DPE11LA4	378	30000	75000
3	3.4	8400	1.35	435.7	BK80Z-../DPE11LA4	378	30000	75000
3	3.0	9500	1.2	499.5	BK80Z-../DPE11LA4	378	30000	75000
3	2.7	10600	1.1	559.5	BK80Z-../DPE11LA4	378	30000	75000
3	2.4	11100	1.05	607.8	BK80G40-../DPE11LA4	386	30000	75000
3	2.2	12100	0.95	680.9	BK80G40-../DPE11LA4	386	30000	75000
3	2.0	13500	0.85	756.3	BK80G40-../DPE11LA4	386	30000	75000
3	5.0	5700	3.2	295.6	BK90Z-../DPE11LA4	643	49400	120000
3	4.4	6500	2.8	330.7	BK90Z-../DPE11LA4	643	49400	120000
3	3.8	7500	2.5	389.1	BK90Z-../DPE11LA4	643	49400	120000
3	3.4	8400	2.2	435.3	BK90Z-../DPE11LA4	643	49400	120000
3	3.0	9500	1.95	499.2	BK90Z-../DPE11LA4	643	49400	120000
3	2.7	10600	1.75	558.5	BK90Z-../DPE11LA4	643	49400	120000
3	2.3	12400	1.5	637.7	BK90Z-../DPE11LA4	643	49400	120000
3	2.1	13600	1.35	713.5	BK90Z-../DPE11LA4	643	49400	120000
3	1.8	14500	1.3	821.0	BK90G50-../DPE11LA4	660	49400	120000
3	1.7	15600	1.2	882.3	BK90G50-../DPE11LA4	660	49400	120000
3	1.5	17700	1.05	1008	BK90G50-../DPE11LA4	660	49400	120000

The torques marked (*) are maximum permissible torques for service factor f_B=1.0.

BK-series bevel geared motors

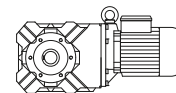
Selection - bevel geared motors

3 kW



P _N [kW]	n ₂ [1/min]	50 Hz		i [:1]	Type	m [kg]	[N]	[N]
		M ₂ [Nm]	f _B [-]					
3	1.3	20500	0.9	1127	BK90G50-../DPE11LA4	660	49400	120000

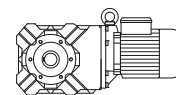
4 kW



P _N [kW]	n ₂ [1/min]	50 Hz		i [:1]	Type	m [kg]	[N]	[N]
		M ₂ [Nm]	f _B [-]					
4	310	113	1.7	4.73	BK30-../DPE11LB4	76	1550	8800
4	245	143	1.5	6.02	BK30-../DPE11LB4	76	1690	9600
4	195	180	1.5	7.45	BK30-../DPE11LB4	76	2200	10400
4	151	230	1.4	9.63	BK30-../DPE11LB4	76	3150	11500
4	128	265	1.55	11.39	BK30-../DPE11LB4	76	4150	11000
4	122	285	1.1	11.93	BK30-../DPE11LB4	76	3650	12000
4	104	330	0.97	13.98	BK30-../DPE11LB4	76	4050	12000
4	100	340	1.3	14.50	BK30-../DPE11LB4	76	4900	12000
4	81	420	1.05	17.95	BK30-../DPE11LB4	76	5300	12000
4	63	540	0.83	23.20	BK30-../DPE11LB4	76	5900	12000
4	245	143	3.3	6.02	BK40-../DPE11LB4	102	470	9800
4	194	181	2.7	7.49	BK40-../DPE11LB4	102	750	10500
4	156	225	2.2	9.31	BK40-../DPE11LB4	102	1040	11200
4	130	260	2.8	11.17	BK40-../DPE11LB4	102	4100	13100
4	123	285	1.75	11.86	BK40-../DPE11LB4	102	1770	12200
4	100	340	2.3	14.50	BK40-../DPE11LB4	102	4500	14300
4	81	420	1.85	18.05	BK40-../DPE11LB4	102	4900	15300
4	65	520	1.5	22.44	BK40-../DPE11LB4	102	5500	16500
4	51	670	1.15	28.59	BK40-../DPE11LB4	102	6300	17000
4	42	810	0.96	34.61	BK40-../DPE11LB4	102	6900	17000
4	35.5	960	0.81	40.88	BK40-../DPE11LB4	102	7600	17000
4	104	330	3.2	13.95	BK50-../DPE11LB4	132	6100	17400
4	96	355	3.0	15.19	BK50-../DPE11LB4	132	6300	18000
4	81	425	1.7	17.92	BK50-../DPE11LB4	132	4600	16800
4	76	450	2.3	19.33	BK50-../DPE11LB4	132	6900	19200
4	55	620	1.7	26.51	BK50-../DPE11LB4	132	7800	21200
4	41.5	820	1.3	35.21	BK50-../DPE11LB4	132	8700	23100
4	31	1090	0.96	47.50	BK50-../DPE11LB4	132	10100	25700
4	53	720	3.2	27.36	BK60-../DPE11LB4	142	5600	23200
4	43	880	2.6	33.78	BK60-../DPE11LB4	142	6500	25200
4	38.5	990	2.3	37.80	BK60-../DPE11LB4	142	7300	26500
4	32.5	1170	1.95	45.05	BK60-../DPE11LB4	142	8200	28300
4	29	1310	1.75	50.40	BK60-../DPE11LB4	142	9100	29800
4	25	1520	1.5	58.95	BK60-../DPE11LB4	142	9900	31500
4	22	1730	1.35	65.95	BK60-../DPE11LB4	142	10900	33000
4	19	2000	1.15	78.13	BK60-../DPE11LB4	142	11900	34000
4	17	2200	1.05	87.41	BK60-../DPE11LB4	142	12900	34000
4	14.5	2600	0.88	101.2	BK60-../DPE11LB4	142	13900	34000
4	24	1590	3.3	61.60	BK70-../DPE11LB4	221	11500	42800
4	21	1810	2.9	70.23	BK70-../DPE11LB4	221	12500	44800
4	18.5	2050	2.5	79.89	BK70-../DPE11LB4	221	14300	47600
4	16	2350	2.2	90.96	BK70-../DPE11LB4	221	15300	49900
4	14.5	2600	2.0	103.5	BK70-../DPE11LB4	221	17200	50000
4	12.5	3050	1.7	120.2	BK70-../DPE11LB4	221	18600	50000
4	11	3450	1.5	136.7	BK70-../DPE11LB4	221	20700	50000
4	9.4	4050	1.3	154.4	BK70-../DPE11LB4	221	21900	50000
4	8.3	4600	1.15	175.7	BK70-../DPE11LB4	221	24100	50000
4	7.7	4950	1.05	190.4	BK70Z-../DPE11LB4	247	24100	50000
4	6.5	5800	0.9	226.2	BK70Z-../DPE11LB4	247	24100	50000
4	11.5	3300	3.2	131.6	BK80-../DPE11LB4	336	24900	75000
4	9.5	4000	2.6	153.1	BK80-../DPE11LB4	336	27200	75000
4	8.5	4450	2.4	171.5	BK80-../DPE11LB4	336	30000	75000
4	8.2	4650	2.5	177.6	BK80Z-../DPE11LB4	378	30000	75000
4	7.3	5200	2.2	198.9	BK80Z-../DPE11LB4	378	30000	75000

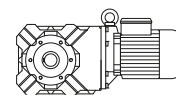
The torques marked (*) are maximum permissible torques for service factor f_B=1.0.

4 kW



P _N [kW]	n ₂ [1/min]	50 Hz		i [:1]	Type	m [kg]	[N]	[N]
		M ₂ [Nm]	f _B [—]					
4	6.5	5800	2.0	226.1	BK80Z-../DPE11LB4	378	30000	75000
4	5.8	6500	1.75	253.3	BK80Z-../DPE11LB4	378	30000	75000
4	4.9	7700	1.5	300.6	BK80Z-../DPE11LB4	378	30000	75000
4	4.4	8600	1.35	336.7	BK80Z-../DPE11LB4	378	30000	75000
4	3.8	10000	1.15	389.0	BK80Z-../DPE11LB4	378	30000	75000
4	3.4	11200	1.05	435.7	BK80Z-../DPE11LB4	378	30000	75000
4	3.0	12700	0.91	499.5	BK80Z-../DPE11LB4	378	30000	75000
4	6.2	6100	3.0	234.6	BK90Z-../DPE11LB4	643	49400	120000
4	5.6	6800	2.7	262.5	BK90Z-../DPE11LB4	643	49400	120000
4	5.0	7600	2.4	295.6	BK90Z-../DPE11LB4	643	49400	120000
4	4.4	8600	2.2	330.7	BK90Z-../DPE11LB4	643	49400	120000
4	3.8	10000	1.85	389.1	BK90Z-../DPE11LB4	643	49400	120000
4	3.4	11200	1.65	435.3	BK90Z-../DPE11LB4	643	49400	120000
4	3.0	12700	1.45	499.2	BK90Z-../DPE11LB4	643	49400	120000
4	2.6	14600	1.25	558.5	BK90Z-../DPE11LB4	643	49400	120000
4	2.3	16600	1.1	637.7	BK90Z-../DPE11LB4	643	49400	120000
4	2.1	18100	1.0	713.5	BK90Z-../DPE11LB4	643	49400	120000
4	1.8	19800	0.93	821.0	BK90G50-../DPE11LB4	660	49400	120000
4	1.7	21200	0.87	882.3	BK90G50-../DPE11LB4	660	49400	120000

5.5 kW



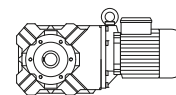
P _N [kW]	n ₂ [1/min]	50 Hz		i [:1]	Type	m [kg]	[N]	[N]
		M ₂ [Nm]	f _B [—]					
5.5	310	155	1.25	4.73	BK30-../DPE11LB4C	80	1550	8800
5.5	245	197	1.1	6.02	BK30-../DPE11LB4C	80	1690	9600
5.5	197	245	1.1	7.45	BK30-../DPE11LB4C	80	2200	10400
5.5	153	315	1.0	9.63	BK30-../DPE11LB4C	80	3150	11500
5.5	129	365	1.15	11.39	BK30-../DPE11LB4C	80	4150	11000
5.5	123	390	0.82	11.93	BK30-../DPE11LB4C	80	3650	12000
5.5	102	460	0.98	14.50	BK30-../DPE11LB4C	80	4900	12000
5.5	320	151	2.9	4.63	BK40-../DPE11LB4C	106	430	8900
5.5	245	197	2.4	6.02	BK40-../DPE11LB4C	106	470	9800
5.5	196	245	2.0	7.49	BK40-../DPE11LB4C	106	750	10500
5.5	158	305	1.6	9.31	BK40-../DPE11LB4C	106	1040	11200
5.5	132	355	2.0	11.17	BK40-../DPE11LB4C	106	4100	13100
5.5	124	385	1.3	11.86	BK40-../DPE11LB4C	106	1770	12200
5.5	102	460	1.7	14.50	BK40-../DPE11LB4C	106	4500	14300
5.5	82	570	1.35	18.05	BK40-../DPE11LB4C	106	4900	15300
5.5	66	710	1.1	22.44	BK40-../DPE11LB4C	106	5500	16500
5.5	52	900	0.87	28.59	BK40-../DPE11LB4C	106	6300	17000
5.5	151	310	3.0	9.73	BK50-../DPE11LB4C	136	5400	15400
5.5	147	325	2.5	10.00	BK50-../DPE11LB4C	136	1220	13200
5.5	106	445	2.4	13.95	BK50-../DPE11LB4C	136	6100	17400
5.5	97	485	2.2	15.19	BK50-../DPE11LB4C	136	6300	18000
5.5	82	580	1.25	17.92	BK50-../DPE11LB4C	136	4600	16800
5.5	76	620	1.7	19.33	BK50-../DPE11LB4C	136	6900	19200
5.5	56	840	1.25	26.51	BK50-../DPE11LB4C	136	7800	21200
5.5	42	1120	0.94	35.21	BK50-../DPE11LB4C	136	8700	23100
5.5	72	720	3.1	20.54	BK60-../DPE11LB4C	146	4400	20600
5.5	60	870	2.6	24.45	BK60-../DPE11LB4C	146	4850	22000
5.5	54	970	2.4	27.36	BK60-../DPE11LB4C	146	5600	23200
5.5	43.5	1200	1.9	33.78	BK60-../DPE11LB4C	146	6500	25200
5.5	39	1340	1.7	37.80	BK60-../DPE11LB4C	146	7300	26500
5.5	33	1590	1.45	45.05	BK60-../DPE11LB4C	146	8200	28300
5.5	29.5	1780	1.3	50.40	BK60-../DPE11LB4C	146	9100	29800
5.5	25	2100	1.1	58.95	BK60-../DPE11LB4C	146	9900	31500
5.5	22.5	2300	1.0	65.95	BK60-../DPE11LB4C	146	10900	33000
5.5	19	2750	0.84	78.13	BK60-../DPE11LB4C	146	11900	34000
5.5	32.5	1610	3.2	45.59	BK70-../DPE11LB4C	225	9000	37900

The torques marked (*) are maximum permissible torques for service factor f_B=1.0.

BK-series bevel geared motors

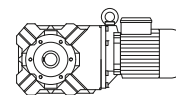
Selection - bevel geared motors

5.5 kW



P _N [kW]	n ₂ [1/min]	50 Hz		i [:1]	Type	m [kg]	[N]	[N]
		M ₂ [Nm]	f _B [—]					
5.5	27.5	1910	2.7	54.15	BK70-../DPE11LB4C	225	9900	40200
5.5	24	2150	2.4	61.60	BK70-../DPE11LB4C	225	11500	42800
5.5	21	2500	2.1	70.23	BK70-../DPE11LB4C	225	12500	44800
5.5	18.5	2800	1.85	79.89	BK70-../DPE11LB4C	225	14300	47600
5.5	16.5	3150	1.65	90.96	BK70-../DPE11LB4C	225	15300	49900
5.5	14.5	3600	1.45	103.5	BK70-../DPE11LB4C	225	17200	50000
5.5	12.5	4200	1.25	120.2	BK70-../DPE11LB4C	225	18600	50000
5.5	11	4750	1.1	136.7	BK70-../DPE11LB4C	225	20700	50000
5.5	9.5	5500	0.95	154.4	BK70-../DPE11LB4C	225	21900	50000
5.5	8.4	6200	0.84	175.7	BK70-../DPE11LB4C	225	24100	50000
5.5	16.5	3150	3.3	91.53	BK80-../DPE11LB4C	340	18300	74200
5.5	14.5	3600	2.9	102.5	BK80-../DPE11LB4C	340	20500	75000
5.5	12.5	4200	2.5	117.5	BK80-../DPE11LB4C	340	22300	75000
5.5	11.5	4550	2.3	131.6	BK80-../DPE11LB4C	340	24900	75000
5.5	9.6	5400	1.95	153.1	BK80-../DPE11LB4C	340	27200	75000
5.5	8.6	6100	1.7	171.5	BK80-../DPE11LB4C	340	30000	75000
5.5	8.3	6300	1.85	177.6	BK80Z-../DPE11LB4C	382	30000	75000
5.5	7.4	7000	1.65	198.9	BK80Z-../DPE11LB4C	382	30000	75000
5.5	6.5	8000	1.45	226.1	BK80Z-../DPE11LB4C	382	30000	75000
5.5	5.8	9000	1.3	253.3	BK80Z-../DPE11LB4C	382	30000	75000
5.5	4.9	10700	1.05	300.6	BK80Z-../DPE11LB4C	382	30000	75000
5.5	4.4	11900	0.97	336.7	BK80Z-../DPE11LB4C	382	30000	75000
5.5	3.8	13800	0.83	389.0	BK80Z-../DPE11LB4C	382	30000	75000
5.5	8.4	6200	3.0	174.7	BK90Z-../DPE11LB4C	647	49400	120000
5.5	7.5	7000	2.6	195.4	BK90Z-../DPE11LB4C	647	49400	120000
5.5	6.3	8300	2.2	234.6	BK90Z-../DPE11LB4C	647	49400	120000
5.5	5.6	9300	2.0	262.5	BK90Z-../DPE11LB4C	647	49400	120000
5.5	5.0	10500	1.75	295.6	BK90Z-../DPE11LB4C	647	49400	120000
5.5	4.5	11600	1.6	330.7	BK90Z-../DPE11LB4C	647	49400	120000
5.5	3.8	13800	1.35	389.1	BK90Z-../DPE11LB4C	647	49400	120000
5.5	3.4	15400	1.2	435.3	BK90Z-../DPE11LB4C	647	49400	120000
5.5	3.0	17500	1.05	499.2	BK90Z-../DPE11LB4C	647	49400	120000
5.5	2.7	19400	0.95	558.5	BK90Z-../DPE11LB4C	647	49400	120000
5.5	2.3	22800	0.81	637.7	BK90Z-../DPE11LB4C	647	49400	120000

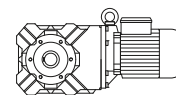
7.5 kW



P _N [kW]	n ₂ [1/min]	50 Hz		i [:1]	Type	m [kg]	[N]	[N]
		M ₂ [Nm]	f _B [—]					
7.5	400	164	4.4	3.67	BK50-../DPE13XA4	147	115	9400
7.5	280	235	3.5	5.26	BK50-../DPE13XA4	147	130	10700
7.5	205	320	2.5	7.29	BK50-../DPE13XA4	147	620	111000
7.5	151	425	2.2	9.73	BK50-../DPE13XA4	147	5400	15400
7.5	146	450	1.8	10.00	BK50-../DPE13XA4	147	1220	13200
7.5	105	610	1.7	13.95	BK50-../DPE13XA4	147	6100	17400
7.5	97	660	1.6	15.19	BK50-../DPE13XA4	147	6300	18000
7.5	82	790	0.92	17.92	BK50-../DPE13XA4	147	4600	16800
7.5	76	840	1.25	19.33	BK50-../DPE13XA4	147	6900	19200
7.5	56	1150	0.91	26.51	BK50-../DPE13XA4	147	7800	21200
7.5	135	530	3.2	10.82	BK60-../DPE13XA4	159	3200	17000
7.5	118	600	3.1	12.38	BK60-../DPE13XA4	159	3500	17400
7.5	106	670	2.9	13.85	BK60-../DPE13XA4	159	3850	18000
7.5	102	700	2.8	14.41	BK60-../DPE13XA4	159	3650	18600
7.5	91	780	2.5	16.05	BK60-../DPE13XA4	159	4050	18800
7.5	80	890	2.5	18.36	BK60-../DPE13XA4	159	4000	19900
7.5	72	990	2.3	20.54	BK60-../DPE13XA4	159	4400	20600
7.5	60	1190	1.95	24.45	BK60-../DPE13XA4	159	4850	22000
7.5	54	1320	1.75	27.36	BK60-../DPE13XA4	159	5600	23200
7.5	43.5	1640	1.4	33.78	BK60-../DPE13XA4	159	6500	25200
7.5	39	1830	1.25	37.80	BK60-../DPE13XA4	159	7300	26500
7.5	32.5	2200	1.05	45.05	BK60-../DPE13XA4	159	8200	28300
7.5	29	2450	0.94	50.40	BK60-../DPE13XA4	159	9100	29800

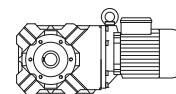
The torques marked (*) are maximum permissible torques for service factor f_B=1.0.

7.5 kW



P _N [kW]	n ₂ [1/min]	50 Hz		i [:1]	Type	m		
		M ₂ [Nm]	f _B [—]			[kg]	[N]	[N]
7.5	25	2850	0.81	58.95	BK60-../DPE13XA4	159	9900	31500
7.5	47.5	1500	3.0	30.90	BK70-../DPE13XA4	238	7500	33600
7.5	42	1700	2.8	35.15	BK70-../DPE13XA4	238	8000	35000
7.5	36.5	1960	2.5	40.08	BK70-../DPE13XA4	238	8300	36300
7.5	32.5	2200	2.3	45.59	BK70-../DPE13XA4	238	9000	37900
7.5	27	2650	1.95	54.15	BK70-../DPE13XA4	238	9900	40200
7.5	24	2950	1.75	61.60	BK70-../DPE13XA4	238	11500	42800
7.5	21	3400	1.55	70.23	BK70-../DPE13XA4	238	12500	44800
7.5	18.5	3850	1.35	79.89	BK70-../DPE13XA4	238	14300	47600
7.5	16.5	4300	1.2	90.96	BK70-../DPE13XA4	238	15300	49900
7.5	14.5	4900	1.05	103.5	BK70-../DPE13XA4	238	17200	50000
7.5	12.5	5700	0.91	120.2	BK70-../DPE13XA4	238	18600	50000
7.5	11	6500	0.8	136.7	BK70-../DPE13XA4	238	20700	50000
7.5	24.5	2900	3.2	59.60	BK80-../DPE13XA4	352	15700	65500
7.5	21	3400	2.8	70.72	BK80-../DPE13XA4	352	16600	68700
7.5	18.5	3850	2.6	79.22	BK80-../DPE13XA4	352	17600	71300
7.5	16	4450	2.3	91.53	BK80-../DPE13XA4	352	18300	74200
7.5	14.5	4900	2.1	102.5	BK80-../DPE13XA4	352	20500	75000
7.5	12.5	5700	1.85	117.5	BK80-../DPE13XA4	352	22300	75000
7.5	11.5	6200	1.7	131.6	BK80-../DPE13XA4	352	24900	75000
7.5	9.6	7400	1.4	153.1	BK80-../DPE13XA4	352	27200	75000
7.5	8.6	8300	1.25	171.5	BK80-../DPE13XA4	352	30000	75000
7.5	8.3	8600	1.35	177.6	BK80Z-../DPE13XA4	395	30000	75000
7.5	7.4	9600	1.2	198.9	BK80Z-../DPE13XA4	395	30000	75000
7.5	6.5	11000	1.05	226.1	BK80Z-../DPE13XA4	395	30000	75000
7.5	5.8	12300	0.93	253.3	BK80Z-../DPE13XA4	395	30000	75000
7.5	12.5	5700	2.9	117.0	BK90-../DPE13XA4	604	39200	113000
7.5	11.5	6200	2.7	130.9	BK90-../DPE13XA4	604	42700	119400
7.5	9.8	7300	2.3	149.5	BK90-../DPE13XA4	604	45600	120000
7.5	8.8	8100	2.1	167.2	BK90-../DPE13XA4	604	49400	120000
7.5	8.4	8500	2.2	174.7	BK90Z-../DPE13XA4	660	49400	120000
7.5	7.5	9500	1.95	195.4	BK90Z-../DPE13XA4	660	49400	120000
7.5	6.3	11300	1.65	234.6	BK90Z-../DPE13XA4	660	49400	120000
7.5	5.6	12700	1.45	262.5	BK90Z-../DPE13XA4	660	49400	120000
7.5	5.0	14300	1.3	295.6	BK90Z-../DPE13XA4	660	49400	120000
7.5	4.5	15900	1.15	330.7	BK90Z-../DPE13XA4	660	49400	120000
7.5	3.8	18800	0.98	389.1	BK90Z-../DPE13XA4	660	49400	120000
7.5	3.4	21000	0.88	435.3	BK90Z-../DPE13XA4	660	49400	120000

9.5 kW



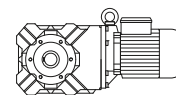
P _N [kW]	n ₂ [1/min]	50 Hz		i [:1]	Type	m		
		M ₂ [Nm]	f _B [—]			[kg]	[N]	[N]
9.5	405	205	3.5	3.67	BK50-../DPE16LB4	183	115	9400
9.5	285	290	2.8	5.26	BK50-../DPE16LB4	183	130	10700
9.5	205	405	2.0	7.29	BK50-../DPE16LB4	183	620	111000
9.5	152	530	1.75	9.73	BK50-../DPE16LB4	183	5400	15400
9.5	148	560	1.45	10.00	BK50-../DPE16LB4	183	1220	13200
9.5	106	770	1.35	13.95	BK50-../DPE16LB4	183	6100	17400
9.5	98	830	1.25	15.19	BK50-../DPE16LB4	183	6300	18000
9.5	77	1060	0.99	19.33	BK50-../DPE16LB4	183	6900	19200
9.5	205	440	3.3	7.29	BK60-../DPE16LB4	195	2800	14900
9.5	137	660	2.5	10.82	BK60-../DPE16LB4	195	3200	17000
9.5	120	750	2.5	12.38	BK60-../DPE16LB4	195	3500	17400
9.5	107	840	2.3	13.85	BK60-../DPE16LB4	195	3850	18000
9.5	103	880	2.2	14.41	BK60-../DPE16LB4	195	3650	18600
9.5	92	980	2.0	16.05	BK60-../DPE16LB4	195	4050	18800
9.5	81	1120	1.95	18.36	BK60-../DPE16LB4	195	4000	19900
9.5	72	1260	1.8	20.54	BK60-../DPE16LB4	195	4400	20600
9.5	61	1480	1.55	24.45	BK60-../DPE16LB4	195	4850	22000
9.5	54	1680	1.35	27.36	BK60-../DPE16LB4	195	5600	23200

The torques marked (*) are maximum permissible torques for service factor f_B=1.0.

BK-series bevel geared motors

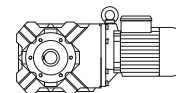
Selection - bevel geared motors

9.5 kW



P _N [kW]	n ₂ [1/min]	50 Hz		i [:1]	Type	m		
		M ₂ [Nm]	f _B [—]			[kg]	[N]	[N]
9.5	44	2050	1.1	33.78	BK60-../DPE16LB4	195	6500	25200
9.5	39.5	2250	1.0	37.80	BK60-../DPE16LB4	195	7300	26500
9.5	33	2700	0.85	45.05	BK60-../DPE16LB4	195	8200	28300
9.5	98	920	3.3	15.16	BK70-../DPE16LB4	278	5600	25800
9.5	86	1050	3.3	17.24	BK70-../DPE16LB4	278	6500	29200
9.5	68	1330	3.1	21.88	BK70-../DPE16LB4	278	6500	30200
9.5	60	1510	2.8	24.89	BK70-../DPE16LB4	278	7000	31500
9.5	48	1890	2.4	30.90	BK70-../DPE16LB4	278	7500	33600
9.5	42	2150	2.2	35.15	BK70-../DPE16LB4	278	8000	35000
9.5	37	2450	2.0	40.08	BK70-../DPE16LB4	278	8300	36300
9.5	32.5	2750	1.85	45.59	BK70-../DPE16LB4	278	9000	37900
9.5	27.5	3250	1.6	54.15	BK70-../DPE16LB4	278	9900	40200
9.5	24	3750	1.4	61.60	BK70-../DPE16LB4	278	11500	42800
9.5	21.5	4200	1.25	70.23	BK70-../DPE16LB4	278	12500	44800
9.5	18.5	4900	1.05	79.89	BK70-../DPE16LB4	278	14300	47600
9.5	16.5	5400	0.96	90.96	BK70-../DPE16LB4	278	15300	49900
9.5	14.5	6200	0.84	103.5	BK70-../DPE16LB4	278	17200	50000
9.5	35.5	2550	3.2	41.78	BK80-../DPE16LB4	388	13500	58700
9.5	32	2800	3.1	46.80	BK80-../DPE16LB4	388	14300	60900
9.5	28	3200	2.8	53.21	BK80-../DPE16LB4	388	14800	63100
9.5	25	3600	2.6	59.60	BK80-../DPE16LB4	388	15700	65500
9.5	21	4300	2.2	70.72	BK80-../DPE16LB4	388	16600	68700
9.5	19	4750	2.1	79.22	BK80-../DPE16LB4	388	17600	71300
9.5	16.5	5400	1.95	91.53	BK80-../DPE16LB4	388	18300	74200
9.5	14.5	6200	1.7	102.5	BK80-../DPE16LB4	388	20500	75000
9.5	13	6900	1.5	117.5	BK80-../DPE16LB4	388	22300	75000
9.5	11.5	7800	1.35	131.6	BK80-../DPE16LB4	388	24900	75000
9.5	9.7	9300	1.15	153.1	BK80-../DPE16LB4	388	27200	75000
9.5	8.7	10400	1.0	171.5	BK80-../DPE16LB4	388	30000	75000
9.5	8.4	10800	1.05	177.6	BK80Z-../DPE16LB4	431	30000	75000
9.5	7.5	12000	0.96	198.9	BK80Z-../DPE16LB4	431	30000	75000
9.5	6.6	13700	0.84	226.1	BK80Z-../DPE16LB4	431	30000	75000
9.5	16.5	5400	3.1	91.19	BK90-../DPE16LB4	641	33300	101000
9.5	14.5	6200	2.7	102.0	BK90-../DPE16LB4	641	36600	107000
9.5	13	6900	2.4	117.0	BK90-../DPE16LB4	641	39200	113000
9.5	11.5	7800	2.2	130.9	BK90-../DPE16LB4	641	42700	119400
9.5	9.9	9100	1.85	149.5	BK90-../DPE16LB4	641	45600	120000
9.5	8.9	10100	1.65	167.2	BK90-../DPE16LB4	641	49400	120000
9.5	8.5	10600	1.75	174.7	BK90Z-../DPE16LB4	700	49400	120000
9.5	7.6	11900	1.55	195.4	BK90Z-../DPE16LB4	700	49400	120000
9.5	6.3	14400	1.3	234.6	BK90Z-../DPE16LB4	700	49400	120000
9.5	5.7	15900	1.15	262.5	BK90Z-../DPE16LB4	700	49400	120000
9.5	5.0	18100	1.0	295.6	BK90Z-../DPE16LB4	700	49400	120000
9.5	4.5	20100	0.92	330.7	BK90Z-../DPE16LB4	700	49400	120000

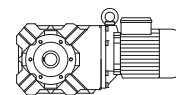
11 kW



P _N [kW]	n ₂ [1/min]	50 Hz		i [:1]	Type	m		
		M ₂ [Nm]	f _B [—]			[kg]	[N]	[N]
11	405	235	3.1	3.67	BK50-../DPE16LB4	183	115	9400
11	285	335	2.4	5.26	BK50-../DPE16LB4	183	130	10700
11	205	470	1.75	7.29	BK50-../DPE16LB4	183	620	111000
11	152	620	1.5	9.73	BK50-../DPE16LB4	183	5400	15400
11	148	650	1.25	10.00	BK50-../DPE16LB4	183	1220	13200
11	106	890	1.2	13.95	BK50-../DPE16LB4	183	6100	17400
11	98	960	1.1	15.19	BK50-../DPE16LB4	183	6300	18000
11	77	1220	0.86	19.33	BK50-../DPE16LB4	183	6900	19200
11	205	510	2.9	7.29	BK60-../DPE16LB4	195	2800	14900
11	137	760	2.2	10.82	BK60-../DPE16LB4	195	3200	17000
11	120	870	2.2	12.38	BK60-../DPE16LB4	195	3500	17400
11	107	980	2.0	13.85	BK60-../DPE16LB4	195	3850	18000

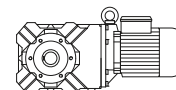
The torques marked (*) are maximum permissible torques for service factor f_B=1.0.

11 kW



P _N [kW]	50 Hz			i [:1]	Type	m		
	n ₂ [1/min]	M ₂ [Nm]	f _B [—]			[kg]	[N]	[N]
11	103	1010	1.9	14.41	BK60-../DPE16LB4	195	3650	18600
11	92	1140	1.75	16.05	BK60-../DPE16LB4	195	4050	18800
11	81	1290	1.7	18.36	BK60-../DPE16LB4	195	4000	19900
11	72	1450	1.55	20.54	BK60-../DPE16LB4	195	4400	20600
11	61	1720	1.35	24.45	BK60-../DPE16LB4	195	4850	22000
11	54	1940	1.2	27.36	BK60-../DPE16LB4	195	5600	23200
11	44	2350	0.98	33.78	BK60-../DPE16LB4	195	6500	25200
11	39.5	2650	0.87	37.80	BK60-../DPE16LB4	195	7300	26500
11	108	970	3.1	13.70	BK70-../DPE16LB4	278	5400	24800
11	98	1070	2.9	15.16	BK70-../DPE16LB4	278	5600	25800
11	86	1220	2.9	17.24	BK70-../DPE16LB4	278	6500	29200
11	68	1540	2.6	21.88	BK70-../DPE16LB4	278	6500	30200
11	60	1750	2.4	24.89	BK70-../DPE16LB4	278	7000	31500
11	48	2150	2.1	30.90	BK70-../DPE16LB4	278	7500	33600
11	42	2500	1.9	35.15	BK70-../DPE16LB4	278	8000	35000
11	37	2800	1.75	40.08	BK70-../DPE16LB4	278	8300	36300
11	32.5	3200	1.6	45.59	BK70-../DPE16LB4	278	9000	37900
11	27.5	3800	1.35	54.15	BK70-../DPE16LB4	278	9900	40200
11	24	4350	1.2	61.60	BK70-../DPE16LB4	278	11500	42800
11	21.5	4850	1.05	70.23	BK70-../DPE16LB4	278	12500	44800
11	18.5	5600	0.93	79.89	BK70-../DPE16LB4	278	14300	47600
11	16.5	6300	0.83	90.96	BK70-../DPE16LB4	278	15300	49900
11	43.5	2400	3.3	34.22	BK80-../DPE16LB4	388	12600	55400
11	35.5	2950	2.8	41.78	BK80-../DPE16LB4	388	13500	58700
11	32	3250	2.6	46.80	BK80-../DPE16LB4	388	14300	60900
11	28	3750	2.4	53.21	BK80-../DPE16LB4	388	14800	63100
11	25	4200	2.2	59.60	BK80-../DPE16LB4	388	15700	65500
11	21	5000	1.95	70.72	BK80-../DPE16LB4	388	16600	68700
11	19	5500	1.85	79.22	BK80-../DPE16LB4	388	17600	71300
11	16.5	6300	1.65	91.53	BK80-../DPE16LB4	388	18300	74200
11	14.5	7200	1.45	102.5	BK80-../DPE16LB4	388	20500	75000
11	13	8000	1.3	117.5	BK80-../DPE16LB4	388	22300	75000
11	11.5	9100	1.15	131.6	BK80-../DPE16LB4	388	24900	75000
11	9.7	10800	0.97	153.1	BK80-../DPE16LB4	388	27200	75000
11	8.7	12000	0.88	171.5	BK80-../DPE16LB4	388	30000	75000
11	8.4	12500	0.92	177.6	BK80Z-../DPE16LB4	431	30000	75000
11	7.5	14000	0.82	198.9	BK80Z-../DPE16LB4	431	30000	75000
11	19.5	5300	3.2	77.51	BK90-../DPE16LB4	641	30300	94400
11	16.5	6300	2.7	91.19	BK90-../DPE16LB4	641	33300	101000
11	14.5	7200	2.3	102.0	BK90-../DPE16LB4	641	36600	107000
11	13	8000	2.1	117.0	BK90-../DPE16LB4	641	39200	113000
11	11.5	9100	1.85	130.9	BK90-../DPE16LB4	641	42700	119400
11	9.9	10600	1.6	149.5	BK90-../DPE16LB4	641	45600	120000
11	8.9	11800	1.4	167.2	BK90-../DPE16LB4	641	49400	120000
11	8.5	12300	1.5	174.7	BK90Z-../DPE16LB4	700	49400	120000
11	7.6	13800	1.35	195.4	BK90Z-../DPE16LB4	700	49400	120000
11	6.3	16600	1.1	234.6	BK90Z-../DPE16LB4	700	49400	120000
11	5.7	18400	1.0	262.5	BK90Z-../DPE16LB4	700	49400	120000
11	5.0	21000	0.88	295.6	BK90Z-../DPE16LB4	700	49400	120000

15 kW



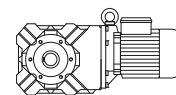
P _N [kW]	50 Hz			i [:1]	Type	m		
	n ₂ [1/min]	M ₂ [Nm]	f _B [—]			[kg]	[N]	[N]
15	405	325	2.2	3.67	BK50-../DPE16XB4	193	115	9400
15	285	460	1.75	5.26	BK50-../DPE16XB4	193	130	10700
15	205	640	1.25	7.29	BK50-../DPE16XB4	193	620	111000
15	152	840	1.1	9.73	BK50-../DPE16XB4	193	5400	15400
15	148	890	0.91	10.00	BK50-../DPE16XB4	193	1220	13200
15	106	1210	0.87	13.95	BK50-../DPE16XB4	193	6100	17400
15	98	1310	0.8	15.19	BK50-../DPE16XB4	193	6300	18000

The torques marked (*) are maximum permissible torques for service factor f_B=1.0.

BK-series bevel geared motors

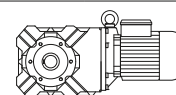
Selection - bevel geared motors

15 kW



P _N [kW]	n ₂ [1/min]	50 Hz		i [:1]	Type	m [kg]	m	
		M ₂ [Nm]	f _B [—]				[N]	[N]
15	205	690	2.1	7.29	BK60-../DPE16XB4	205	2800	14900
15	137	1040	1.6	10.82	BK60-../DPE16XB4	205	3200	17000
15	120	1190	1.6	12.38	BK60-../DPE16XB4	205	3500	17400
15	107	1330	1.5	13.85	BK60-../DPE16XB4	205	3850	18000
15	103	1390	1.4	14.41	BK60-../DPE16XB4	205	3650	18600
15	92	1550	1.25	16.05	BK60-../DPE16XB4	205	4050	18800
15	81	1760	1.25	18.36	BK60-../DPE16XB4	205	4000	19900
15	72	1980	1.15	20.54	BK60-../DPE16XB4	205	4400	20600
15	61	2300	1.0	24.45	BK60-../DPE16XB4	205	4850	22000
15	54	2650	0.87	27.36	BK60-../DPE16XB4	205	5600	23200
15	108	1320	2.3	13.70	BK70-../DPE16XB4	288	5400	24800
15	98	1460	2.1	15.16	BK70-../DPE16XB4	288	5600	25800
15	86	1660	2.1	17.24	BK70-../DPE16XB4	288	6500	29200
15	68	2100	1.95	21.88	BK70-../DPE16XB4	288	6500	30200
15	60	2350	1.8	24.89	BK70-../DPE16XB4	288	7000	31500
15	48	2950	1.55	30.90	BK70-../DPE16XB4	288	7500	33600
15	42	3400	1.4	35.15	BK70-../DPE16XB4	288	8000	35000
15	37	3850	1.25	40.08	BK70-../DPE16XB4	288	8300	36300
15	32.5	4400	1.15	45.59	BK70-../DPE16XB4	288	9000	37900
15	27.5	5200	1.0	54.15	BK70-../DPE16XB4	288	9900	40200
15	24	5900	0.88	61.60	BK70-../DPE16XB4	288	11500	42800
15	48.5	2950	2.5	30.56	BK80-../DPE16XB4	398	11900	53400
15	43.5	3250	2.4	34.22	BK80-../DPE16XB4	398	12600	55400
15	35.5	4000	2.1	41.78	BK80-../DPE16XB4	398	13500	58700
15	32	4450	1.95	46.80	BK80-../DPE16XB4	398	14300	60900
15	28	5100	1.75	53.21	BK80-../DPE16XB4	398	14800	63100
15	25	5700	1.6	59.60	BK80-../DPE16XB4	398	15700	65500
15	21	6800	1.4	70.72	BK80-../DPE16XB4	398	16600	68700
15	19	7500	1.35	79.22	BK80-../DPE16XB4	398	17600	71300
15	16.5	8600	1.2	91.53	BK80-../DPE16XB4	398	18300	74200
15	14.5	9800	1.05	102.5	BK80-../DPE16XB4	398	20500	75000
15	13	11000	0.95	117.5	BK80-../DPE16XB4	398	22300	75000
15	11.5	12400	0.85	131.6	BK80-../DPE16XB4	398	24900	75000
15	27	5300	3.0	54.98	BK90-../DPE16XB4	651	24000	81000
15	24	5900	2.8	61.52	BK90-../DPE16XB4	651	25500	84600
15	21.5	6600	2.5	69.27	BK90-../DPE16XB4	651	27200	88900
15	19.5	7300	2.3	77.51	BK90-../DPE16XB4	651	30300	94400
15	16.5	8600	1.95	91.19	BK90-../DPE16XB4	651	33300	101000
15	14.5	9800	1.7	102.0	BK90-../DPE16XB4	651	36600	107000
15	13	11000	1.55	117.0	BK90-../DPE16XB4	651	39200	113000
15	11.5	12400	1.35	130.9	BK90-../DPE16XB4	651	42700	119400
15	9.9	14400	1.15	149.5	BK90-../DPE16XB4	651	45600	120000
15	8.9	16000	1.05	167.2	BK90-../DPE16XB4	651	49400	120000
15	8.5	16800	1.1	174.7	BK90Z-../DPE16XB4	710	49400	120000
15	7.6	18800	0.98	195.4	BK90Z-../DPE16XB4	710	49400	120000
15	6.3	22700	0.81	234.6	BK90Z-../DPE16XB4	710	49400	120000

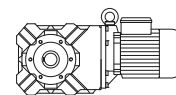
18.5 kW



P _N [kW]	n ₂ [1/min]	50 Hz		i [:1]	Type	m [kg]	m	
		M ₂ [Nm]	f _B [—]				[N]	[N]
18.5	405	400	1.8	3.67	BK50-../DPE18LB4	245	115	9400
18.5	285	570	1.4	5.26	BK50-../DPE18LB4	245	130	10700
18.5	205	790	1.05	7.29	BK50-../DPE18LB4	245	620	111000
18.5	205	860	1.7	7.29	BK60-../DPE18LB4	252	2800	14900
18.5	137	1280	1.3	10.82	BK60-../DPE18LB4	252	3200	17000
18.5	103	1710	1.15	14.41	BK60-../DPE18LB4	252	3650	18600
18.5	81	2150	1.0	18.36	BK60-../DPE18LB4	252	4000	19900
18.5	73	2400	0.94	20.54	BK60-../DPE18LB4	252	4400	20600
18.5	61	2850	0.81	24.45	BK60-../DPE18LB4	252	4850	22000

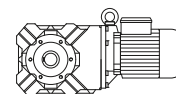
The torques marked (*) are maximum permissible torques for service factor f_B=1.0.

18.5 kW



P _N [kW]	n ₂ [1/min]	50 Hz		i [:1]	Type	m		
		M ₂ [Nm]	f _B [—]			[kg]	[N]	[N]
18.5	98	1800	1.7	15.16	BK70-../DPE18LB4	329	5600	25800
18.5	86	2050	1.7	17.24	BK70-../DPE18LB4	329	6500	29200
18.5	68	2550	1.6	21.88	BK70-../DPE18LB4	329	6500	30200
18.5	60	2900	1.45	24.89	BK70-../DPE18LB4	329	7000	31500
18.5	48	3650	1.25	30.90	BK70-../DPE18LB4	329	7500	33600
18.5	42.5	4150	1.15	35.15	BK70-../DPE18LB4	329	8000	35000
18.5	37	4750	1.05	40.08	BK70-../DPE18LB4	329	8300	36300
18.5	32.5	5400	0.95	45.59	BK70-../DPE18LB4	329	9000	37900
18.5	27.5	6400	0.81	54.15	BK70-../DPE18LB4	329	9900	40200
18.5	104	1690	2.5	14.34	BK80-../DPE18LB4	443	7900	36200
18.5	94	1870	2.6	15.88	BK80-../DPE18LB4	443	8400	38600
18.5	84	2100	2.5	17.79	BK80-../DPE18LB4	443	9400	42100
18.5	77	2250	2.6	19.35	BK80-../DPE18LB4	443	9500	44000
18.5	67	2600	2.6	22.19	BK80-../DPE18LB4	443	10500	48500
18.5	60	2900	2.4	24.85	BK80-../DPE18LB4	443	11200	50400
18.5	48.5	3600	2.1	30.56	BK80-../DPE18LB4	443	11900	53400
18.5	43.5	4050	1.95	34.22	BK80-../DPE18LB4	443	12600	55400
18.5	35.5	4950	1.65	41.78	BK80-../DPE18LB4	443	13500	58700
18.5	32	5500	1.55	46.80	BK80-../DPE18LB4	443	14300	60900
18.5	28	6300	1.4	53.21	BK80-../DPE18LB4	443	14800	63100
18.5	25	7000	1.3	59.60	BK80-../DPE18LB4	443	15700	65500
18.5	21	8400	1.15	70.72	BK80-../DPE18LB4	443	16600	68700
18.5	19	9200	1.1	79.22	BK80-../DPE18LB4	443	17600	71300
18.5	16.5	10700	0.97	91.53	BK80-../DPE18LB4	443	18300	74200
18.5	14.5	12100	0.87	102.5	BK80-../DPE18LB4	443	20500	75000
18.5	36.5	4800	3.1	40.94	BK90-../DPE18LB4	698	21400	73100
18.5	32.5	5400	2.9	45.80	BK90-../DPE18LB4	698	22700	76300
18.5	27	6500	2.5	54.98	BK90-../DPE18LB4	698	24000	81000
18.5	24.5	7200	2.3	61.52	BK90-../DPE18LB4	698	25500	84600
18.5	21.5	8200	2.0	69.27	BK90-../DPE18LB4	698	27200	88900
18.5	19.5	9000	1.85	77.51	BK90-../DPE18LB4	698	30300	94400
18.5	16.5	10700	1.55	91.19	BK90-../DPE18LB4	698	33300	101000
18.5	15	11700	1.45	102.0	BK90-../DPE18LB4	698	36600	107000
18.5	13	13500	1.25	117.0	BK90-../DPE18LB4	698	39200	113000
18.5	11.5	15300	1.1	130.9	BK90-../DPE18LB4	698	42700	119400
18.5	9.9	17800	0.94	149.5	BK90-../DPE18LB4	698	45600	120000
18.5	8.9	19800	0.85	167.2	BK90-../DPE18LB4	698	49400	120000
18.5	8.5	20700	0.89	174.7	BK90Z-../DPE18LB4	751	49400	120000
18.5	7.6	23200	0.8	195.4	BK90Z-../DPE18LB4	751	49400	120000

22 kW



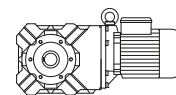
P _N [kW]	n ₂ [1/min]	50 Hz		i [:1]	Type	m		
		M ₂ [Nm]	f _B [—]			[kg]	[N]	[N]
22	405	475	1.5	3.67	BK50-../DPE18XB4	263	115	9400
22	285	670	1.2	5.26	BK50-../DPE18XB4	263	130	10700
22	205	940	0.86	7.29	BK50-../DPE18XB4	263	620	111000
22	205	1020	1.45	7.29	BK60-../DPE18XB4	270	2800	14900
22	137	1530	1.1	10.82	BK60-../DPE18XB4	270	3200	17000
22	103	2000	0.96	14.41	BK60-../DPE18XB4	270	3650	18600
22	81	2550	0.86	18.36	BK60-../DPE18XB4	270	4000	19900
22	98	2100	1.45	15.16	BK70-../DPE18XB4	347	5600	25800
22	86	2400	1.45	17.24	BK70-../DPE18XB4	347	6500	29200
22	68	3050	1.35	21.88	BK70-../DPE18XB4	347	6500	30200
22	60	3500	1.2	24.89	BK70-../DPE18XB4	347	7000	31500
22	48	4350	1.05	30.90	BK70-../DPE18XB4	347	7500	33600
22	42	5000	0.95	35.15	BK70-../DPE18XB4	347	8000	35000
22	37	5600	0.87	40.08	BK70-../DPE18XB4	347	8300	36300
22	32.5	6400	0.8	45.59	BK70-../DPE18XB4	347	9000	37900
22	103	2000	2.1	14.34	BK80-../DPE18XB4	461	7900	36200

The torques marked (*) are maximum permissible torques for service factor f_B=1.0.

BK-series bevel geared motors

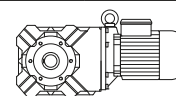
Selection - bevel geared motors

22 kW



P _N [kW]	n ₂ [1/min]	50 Hz		i [:1]	Type	m		
		M ₂ [Nm]	f _B [—]			[kg]	[N]	[N]
22	93	2250	2.1	15.88	BK80-../DPE18XB4	461	8400	38600
22	83	2500	2.1	17.79	BK80-../DPE18XB4	461	9400	42100
22	77	2700	2.1	19.35	BK80-../DPE18XB4	461	9500	44000
22	67	3100	2.2	22.19	BK80-../DPE18XB4	461	10500	48500
22	60	3500	2.0	24.85	BK80-../DPE18XB4	461	11200	50400
22	48.5	4300	1.75	30.56	BK80-../DPE18XB4	461	11900	53400
22	43.5	4800	1.65	34.22	BK80-../DPE18XB4	461	12600	55400
22	35.5	5900	1.4	41.78	BK80-../DPE18XB4	461	13500	58700
22	32	6500	1.3	46.80	BK80-../DPE18XB4	461	14300	60900
22	28	7500	1.2	53.21	BK80-../DPE18XB4	461	14800	63100
22	25	8400	1.1	59.60	BK80-../DPE18XB4	461	15700	65500
22	21	10000	0.96	70.72	BK80-../DPE18XB4	461	16600	68700
22	19	11000	0.91	79.22	BK80-../DPE18XB4	461	17600	71300
22	16.5	12700	0.82	91.53	BK80-../DPE18XB4	461	18300	74200
22	48.5	4300	3.1	30.47	BK90-../DPE18XB4	716	19100	65900
22	43.5	4800	2.9	34.09	BK90-../DPE18XB4	716	20300	68800
22	36.5	5700	2.6	40.94	BK90-../DPE18XB4	716	21400	73100
22	32.5	6400	2.4	45.80	BK90-../DPE18XB4	716	22700	76300
22	27	7700	2.1	54.98	BK90-../DPE18XB4	716	24000	81000
22	24	8700	1.95	61.52	BK90-../DPE18XB4	716	25500	84600
22	21.5	9700	1.75	69.27	BK90-../DPE18XB4	716	27200	88900
22	19.5	10700	1.55	77.51	BK90-../DPE18XB4	716	30300	94400
22	16.5	12700	1.3	91.19	BK90-../DPE18XB4	716	33300	101000
22	14.5	14400	1.15	102.0	BK90-../DPE18XB4	716	36600	107000
22	13	16100	1.05	117.0	BK90-../DPE18XB4	716	39200	113000
22	11.5	18200	0.92	130.9	BK90-../DPE18XB4	716	42700	119400

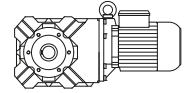
30 kW



P _N [kW]	n ₂ [1/min]	50 Hz		i [:1]	Type	m		
		M ₂ [Nm]	f _B [—]			[kg]	[N]	[N]
30	98	2900	1.05	15.16	BK70-../DPE20XA4	502	5600	25800
30	86	3300	1.05	17.24	BK70-../DPE20XA4	502	6500	29200
30	68	4200	0.97	21.88	BK70-../DPE20XA4	502	6500	30200
30	60	4750	0.9	24.89	BK70-../DPE20XA4	502	7000	31500
30	104	2750	1.55	14.34	BK80-../DPE20XA4	614	7900	36200
30	94	3000	1.6	15.88	BK80-../DPE20XA4	614	8400	38600
30	84	3400	1.55	17.79	BK80-../DPE20XA4	614	9400	42100
30	77	3700	1.55	19.35	BK80-../DPE20XA4	614	9500	44000
30	67	4250	1.6	22.19	BK80-../DPE20XA4	614	10500	48500
30	60	4750	1.5	24.85	BK80-../DPE20XA4	614	11200	50400
30	48.5	5900	1.25	30.56	BK80-../DPE20XA4	614	11900	53400
30	43.5	6500	1.2	34.22	BK80-../DPE20XA4	614	12600	55400
30	35.5	8000	1.05	41.78	BK80-../DPE20XA4	614	13500	58700
30	32	8900	0.96	46.80	BK80-../DPE20XA4	614	14300	60900
30	28	10200	0.87	53.21	BK80-../DPE20XA4	614	14800	63100
30	25	11400	0.81	59.60	BK80-../DPE20XA4	614	15700	65500
30	92	3100	3.3	16.21	BK90-../DPE20XA4	869	15400	52400
30	82	3450	3.3	18.07	BK90-../DPE20XA4	869	15600	54400
30	74	3850	3.1	20.21	BK90-../DPE20XA4	869	16600	56700
30	67	4250	2.9	22.29	BK90-../DPE20XA4	869	16900	59100
30	60	4750	2.7	24.94	BK90-../DPE20XA4	869	18000	61700
30	49	5800	2.3	30.47	BK90-../DPE20XA4	869	19100	65900
30	43.5	6500	2.2	34.09	BK90-../DPE20XA4	869	20300	68800
30	36.5	7800	1.9	40.94	BK90-../DPE20XA4	869	21400	73100
30	32.5	8800	1.75	45.80	BK90-../DPE20XA4	869	22700	76300
30	27	10600	1.5	54.98	BK90-../DPE20XA4	869	24000	81000
30	24.5	11600	1.45	61.52	BK90-../DPE20XA4	869	25500	84600
30	21.5	13300	1.25	69.27	BK90-../DPE20XA4	869	27200	88900
30	19.5	14600	1.15	77.51	BK90-../DPE20XA4	869	30300	94400
30	16.5	17300	0.97	91.19	BK90-../DPE20XA4	869	33300	101000
30	15	19100	0.88	102.0	BK90-../DPE20XA4	869	36600	107000

The torques marked (*) are maximum permissible torques for service factor f_B=1.0.

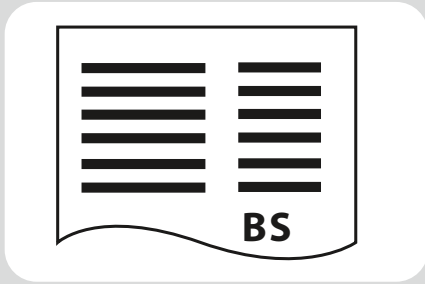
37 kW



P _N [kW]	n ₂ [1/min]	50 Hz		i [:1]	Type	m [kg]	m	
		M ₂ [Nm]	f _B [—]				[N]	[N]
37	104	3350	1.3	14.34	BK80-../DPE22MA4	670	7900	36200
37	94	3750	1.3	15.88	BK80-../DPE22MA4	670	8400	38600
37	84	4200	1.25	17.79	BK80-../DPE22MA4	670	9400	42100
37	77	4550	1.25	19.35	BK80-../DPE22MA4	670	9500	44000
37	67	5200	1.3	22.19	BK80-../DPE22MA4	670	10500	48500
37	60	5800	1.2	24.85	BK80-../DPE22MA4	670	11200	50400
37	48.5	7200	1.05	30.56	BK80-../DPE22MA4	670	11900	53400
37	103	3400	2.7	14.49	BK90-../DPE22MA4	925	14500	50400
37	92	3800	2.7	16.21	BK90-../DPE22MA4	925	15400	52400
37	82	4300	2.7	18.07	BK90-../DPE22MA4	925	15600	54400
37	74	4750	2.5	20.21	BK90-../DPE22MA4	925	16600	56700
37	67	5200	2.4	22.29	BK90-../DPE22MA4	925	16900	59100
37	60	5800	2.2	24.94	BK90-../DPE22MA4	925	18000	61700
37	49	7200	1.9	30.47	BK90-../DPE22MA4	925	19100	65900
37	43.5	8100	1.75	34.09	BK90-../DPE22MA4	925	20300	68800
37	36.5	9600	1.55	40.94	BK90-../DPE22MA4	925	21400	73100
37	32.5	10800	1.45	45.80	BK90-../DPE22MA4	925	22700	76300
37	27	13000	1.25	54.98	BK90-../DPE22MA4	925	24000	81000
37	24.5	14400	1.15	61.52	BK90-../DPE22MA4	925	25500	84600
37	21.5	16400	1.0	69.27	BK90-../DPE22MA4	925	27200	88900

Energy Efficient Geared Motors

AC Line Operated / European Union



BS-series worm-geared motors - Selection

Description of worm-gear units	209
Sizes	209
Efficiency	209
Bauer service factors (f_B) for worm-geared motors	209
Continuous operation without switching frequency $Z \leq 1/h$	209
Switching duty	210
Ambient temperature	210
Bauer service factor	210
Explanation of shock classification	210
Key to abbreviations	211
Selection tables, worm-geared motors	211
Selection - worm-geared motors	212

Energy Efficient Geared Motors

AC Line Operated / European Union

Sizes

Bauer BS-series worm-geared motors are normally supplied in eight frame sizes and with torques of 25 to 1,000 Nm. Higher torques are available on request. The gear unit is accommodated in a sturdy cast housing.

Efficiency

The efficiency of worm-geared motors depends on numerous factors, including lubrication, extent of wear, temperature and vibration. Calculated efficiency, therefore, is merely a guideline value. Please consult BAUER and state the boundary conditions if efficiency or self-locking capability are important factors for your application.

Bauer service factors (f_B) for worm-geared motors

Worm gears transmit torque by sliding friction only, which means that losses and temperature are inevitably higher than with helical-gear arrangements.

Of the numerous factors influencing the total loading of a worm-gear unit, the most important include:

- Mean torque (rated torque)
- Daily operating hours
- Severity of torque peaks (shock classification)
- Frequency of torque peaks (switching duty)
- Ambient temperature

These factors can be represented in a simplified and practical manner by *service factors*. The tables and explanations below attempt to provide an objective description of the *shock classification*, rather than a classification of the driven machinery. Experience has shown that, in addition to the torque shocks caused by the driven machinery (M_v/M_N), above all the power transmission components (clutches, chains etc.) plus the mass ratios play a decisive role in this.

See Bauer special imprint SD32 for more information.

Continuous operation without switching frequency $Z \leq 1/h$

Factor f_1 for shock classification and operating time

Shock classification	Operating hours per day $t_d \leq 10 \text{ min}$	$\leq 1 \text{ h}$	$> 1 \text{ h}$	$> 4 \text{ h}$	$> 8 \text{ h}$	$> 16 \text{ h}$
			$\leq 4 \text{ h}$	$\leq 8 \text{ h}$	$\leq 16 \text{ h}$	$\leq 24 \text{ h}$
I	0.7	0.8	0.9	1.0	1.25	1.4
II	0.9	1.0	1.12	1.25	1.6	1.8
III	1.25	1.4	1.6	1.8	2.2	2.5

BS-series worm-geared motors

Description of worm-gear units

Switching duty

Factor f_2 or shock classification and switching frequency

Switching frequency in single- shift operation $t_d \leq 8$ h/d

Shock classification	$1 < Z \leq 100$	$100 < Z \leq 1000$	$1000 < Z$
I	1.25	1.4	1.6
II	1.6	1.8	2.0
III	1.8	2.0	2.2

Switching frequency in multiple- shift operation $t_d > 8$ h/d

Shock classification	$1 < Z \leq 100$	$100 < Z \leq 1000$	$1000 < Z$
I	1.4	1.6	1.8
II	1.8	2.0	2.2
III	2.0	2.2	2.5

Ambient temperature

Factor f_3 for increased ambient temperature

AT	-10°C .. +25°C	>25°C	>30°C	>35°C	>40°C	>45°C	>50°C	>55°C
	no Factor	1.1	1.2	1.3	1.4	1.5	1.6	Enquiry

Bauer service factor

Bauer service factor f_B = maximum value f_1, f_2, f_3 (at daily operating hours > 1h)

For example: Shock classification II for $Z = 100$ switching operations per hour and multiple-shift operation yields a service factor $f_B = f_2 = 1.8$

Explanation of shock classification

Shock classification I:

Uniform without shock loads. All the following requirements must be satisfied:

- $FI \leq 1.3$
- $M_x/M_N \leq 1.0$
- Shock-absorbing power transmission components (e.g. highly resilient, zero-play coupling, $\varphi N \geq 5^\circ$)

Shock classification II:

Moderate shock loads. At least one of the following conditions applies:

- $1.3 < FI \leq 2$
- $1 \leq M_x/M_N \leq 1.4$
- Shock-neutral power transmission components (e.g. gear wheels, zero-playrigid coupling or resilient coupling with $\varphi N < 5^\circ$)

Shock classification III:

Heavy shock loads. At least one of the following conditions applies:

- $FI > 2$
- $1.4 < M_x/M_N \leq 2.0$
- Shock-amplifying power transmission components (e.g. coupling with play or chain drive)

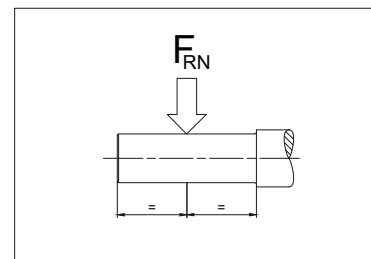
Key to abbreviations

Z	Switching duty number of switching operations per hour
t_d	Daily operating time in hours (h/d)
FI	Factor of inertia $FI = (J_{ext} + J_{rot})/J_{rot}$
J_{ext}	Mass moment of inertia of the machine to be driven, in relation to the motor's rotor shaft (kgm^2)
J_{rot}	Mass moment of inertia of the motor rotor (kgm^2)
M_x	Highest impact torque above the static torque which can occur during normal operation or in emergency situations
M_N	Required static load torque for the application
M_x/M_N	Relative torque - Factor
φ_N	Torsional offset of the resilient coupling under rated torque
UT	Ambient temperature ($^{\circ}\text{C}$)

Selection tables, worm-geared motors

Key to abbreviations

P	Rated output
n_2	Rated speed of the output shaft
i	Gear reduction ratio
M_2	Rated torque at the output shaft
f_B	Bauer Service factor
F_{RN}	Maximum permissible radial force with standard solid shaft (Code -.1 und -.2)



Use the selection tables to determine the size of geared motor required. The codes clearly define the Type of gear unit and output shaft (see chapter 13 "dimensional drawings worm-geared motors").

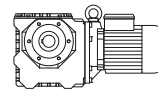
Motor power overload protection

Motor-power ratings, particularly in conjunction with four-stage and multi-stage gear units, are more than ample in some instances. Consequently, and in much the same way as with low-power motors, rated current is not a measure of gear loading and cannot be used to protect the gear unit against overloading. It is advisable to provide gears at risk from excessive load or blockage with a protective mechanism (e. g., slip clutch, slip hub, shear pin or an alternative).

BS-series worm-geared motors

Selection - worm-geared motors

0.03 kW



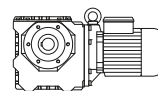
P _N [kW]	n ₂ [1/min]	50 Hz		i [:1]	Type	m [kg]	[N]	[N]
		M ₂ [Nm]	f _B [-]					
0.03	75	2.8	8.9	18.00	BS02-../D04LA4	3.5	1250	-
0.03	62	3.2	7.8	22.00	BS02-../D04LA4	3.5	1250	-
0.03	50	3.6	6.9	27.00	BS02-../D04LA4	3.5	1250	-
0.03	41	4.15	6.0	33.00	BS02-../D04LA4	3.5	1250	-
0.03	31.5	5.6	4.3	43.00	BS02-../D04LA4	3.5	1250	-
0.03	25	6.5	3.4	54.00	BS02-../D04LA4	3.5	1250	-
0.03	19.5	7.4	2.7	70.00	BS02-../D04LA4	3.5	1250	-
0.03	14.5	11.6	3.3	93.92	BS04-../D04LA4	3.9	2250	-
0.03	13.5	13.5	2.8	102.9	BS04-../D04LA4	3.9	2250	-
0.03	12	13.6	2.8	117.0	BS04-../D04LA4	3.9	2250	-
0.03	11	16.4	2.5	123.0	BS04-../D04LA4	3.9	2250	-
0.03	9.8	18.1	2.3	138.4	BS04-../D04LA4	3.9	2250	-
0.03	9.0	17.5	2.2	150.3	BS04-../D04LA4	3.9	2250	-
0.03	8.5	20.5	1.8	160.1	BS04-../D04LA4	3.9	2250	-
0.03	7.8	19.8	2.0	174.0	BS04-../D04LA4	3.9	2250	-
0.03	6.2	24	1.65	220.0	BS04-../D04LA4	3.9	2250	-
0.03	5.4	27.5	1.5	251.6	BS04-../D04LA4	3.9	2250	-
0.03	4.5	32	1.35	300.7	BS04-../D04LA4	3.9	2250	-
0.03	4.0	35.5	1.25	338.3	BS04-../D04LA4	3.9	2250	-
0.03	3.5	40	1.15	391.3	BS04-../D04LA4	3.9	2250	-
0.03	3.6	56	1.7	381.5	BS06G04-../D04LA4	11	3500	-
0.03	2.9	70	1.35	474.8	BS06G04-../D04LA4	11	3500	-
0.03	2.5	79	1.25	552.6	BS06G04-../D04LA4	11	3500	-
0.03	2.3	88	1.05	610.7	BS06G04-../D04LA4	11	3500	-
0.03	2.0	101	0.93	704.7	BS06G04-../D04LA4	11	3500	-
0.03	1.6	94*	1.0	847.0	BS06G04-../D04LA4	11	3500	-
0.03	1.5	94*	1.0	939.6	BS06G04-../D04LA4	11	3500	-
0.03	1.2	94*	1.0	1170	BS06G04-../D04LA4	11	3500	-
0.03	0.9	94*	1.0	1503	BS06G04-../D04LA4	11	3500	-
0.03	0.85	94*	1.0	1654	BS06G04-../D04LA4	11	3500	-
0.03	0.75	94*	1.0	1914	BS06G04-../D04LA4	11	3500	-
0.03	0.65	94*	1.0	2200	BS06G04-../D04LA4	11	3500	-
0.03	0.49	94*	1.0	2768	BS06G04-../D04LA4	11	3500	-
0.03	0.45	94*	1.0	3007	BS06G04-../D04LA4	11	3500	-
0.03	0.41	94*	1.0	3308	BS06G04-../D04LA4	11	3500	-
0.03	0.37	94*	1.0	3721	BS06G04-../D04LA4	11	3500	-
0.03	0.32	94*	1.0	4304	BS06G04-../D04LA4	11	3500	-
0.03	0.28	98*	1.0	4947	BS06G04-../D04LA4	11	3500	-
0.03	0.25	98*	1.0	5442	BS06G04-../D04LA4	11	3500	-
0.03	0.22	100*	1.0	6234	BS06G04-../D04LA4	11	3500	-
0.03	5.4	30.5	3.2	252.0	BS06-../D04LA4	8.4	3500	-
0.03	4.3	37.5	2.8	315.3	BS06-../D04LA4	8.4	3500	-
0.03	3.8	42	2.6	358.9	BS06-../D04LA4	8.4	3500	-
0.03	3.3	47.5	2.3	418.0	BS06-../D04LA4	8.4	3500	-
0.03	2.5	67	2.8	544.8	BS10Z-../D04LA4	21	6000	-
0.03	2.2	72	2.6	638.7	BS10Z-../D04LA4	21	6000	-
0.03	1.8	85	2.1	788.7	BS10Z-../D04LA4	21	6000	-
0.03	1.5	101	1.55	905.6	BS10Z-../D04LA4	21	6000	-
0.03	1.4	130	1.25	969.9	BS10G06-../D04LA4	25	6000	-
0.03	1.2	152	1.05	1166	BS10G06-../D04LA4	25	6000	-
0.03	1.1	166	0.96	1342	BS10G06-../D04LA4	25	6000	-
0.03	0.9	160*	1.0	1528	BS10G06-../D04LA4	25	6000	-
0.03	0.85	160*	1.0	1668	BS10G06-../D04LA4	25	6000	-
0.03	0.7	160*	1.0	1963	BS10G06-../D04LA4	25	6000	-
0.03	0.6	160*	1.0	2348	BS10G06-../D04LA4	25	6000	-
0.03	0.55	160*	1.0	2635	BS10G06-../D04LA4	25	6000	-
0.03	0.47	160*	1.0	2875	BS10G06-../D04LA4	25	6000	-
0.03	0.41	160*	1.0	3332	BS10G06-../D04LA4	25	6000	-
0.03	0.38	160*	1.0	3635	BS10G06-../D04LA4	25	6000	-
0.03	0.33	160*	1.0	4163	BS10G06-../D04LA4	25	6000	-
0.03	0.29	160*	1.0	4776	BS10G06-../D04LA4	25	6000	-
0.03	0.26	160*	1.0	5209	BS10G06-../D04LA4	25	6000	-
0.03	0.23	164*	1.0	6019	BS10G06-../D04LA4	25	6000	-
0.03	0.21	164*	1.0	6565	BS10G06-../D04LA4	25	6000	-
0.03	0.19	164*	1.0	7471	BS10G06-../D04LA4	25	6000	-
0.03	0.16	164*	1.0	8703	BS10G06-../D04LA4	25	6000	-

The torques marked (*) are maximum permissible torques for service factor f_B=1.0.

BS-series worm-gear motors

Selection - worm-gear motors

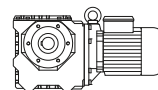
0.03 kW



P _N [kW]	50 Hz			i [:1]	Type	m		
	n ₂ [1/min]	M ₂ [Nm]	f _B [-]			[kg]	[N]	[N]
0.03	1.7	111	2.4	831.7	BS20G06-../D04LA4	35	8000	-
0.03	1.4	135	2.0	1000	BS20G06-../D04LA4	35	8000	-
0.03	1.1	171	1.6	1311	BS20G06-../D04LA4	35	8000	-
0.03	0.9	210	1.3	1543	BS20G06-../D04LA4	35	8000	-
0.03	0.85	220	1.25	1683	BS20G06-../D04LA4	35	8000	-
0.03	0.7	270*	1.0	2014	BS20G06-../D04LA4	35	8000	-
0.03	0.55	270*	1.0	2465	BS20G06-../D04LA4	35	8000	-
0.03	0.48	270*	1.0	2857	BS20G06-../D04LA4	35	8000	-
0.03	0.44	270*	1.0	3117	BS20G06-../D04LA4	35	8000	-
0.03	0.38	270*	1.0	3570	BS20G06-../D04LA4	35	8000	-
0.03	0.33	270*	1.0	4096	BS20G06-../D04LA4	35	8000	-
0.03	0.28	270*	1.0	4910	BS20G06-../D04LA4	35	8000	-
0.03	0.23	270*	1.0	5880	BS20G06-../D04LA4	35	8000	-
0.03	0.19	275*	1.0	7363	BS20G06-../D04LA4	35	8000	-
0.03	0.17	275*	1.0	8031	BS20G06-../D04LA4	35	8000	-
0.03	0.15	280*	1.0	9220	BS20G06-../D04LA4	35	8000	-
0.03	1.2	164	3.0	1176	BS30G06-../D04LA4	53	10000	-
0.03	0.95	205	2.4	1461	BS30G06-../D04LA4	53	10000	-
0.03	0.9	215	2.3	1576	BS30G06-../D04LA4	53	10000	-
0.03	0.75	260	1.9	1886	BS30G06-../D04LA4	53	10000	-
0.03	0.6	325	1.5	2308	BS30G06-../D04LA4	53	10000	-
0.03	0.55	355	1.4	2518	BS30G06-../D04LA4	53	10000	-
0.03	0.47	420	1.15	2919	BS30G06-../D04LA4	53	10000	-
0.03	0.41	480	1.0	3344	BS30G06-../D04LA4	53	10000	-
0.03	0.38	490*	1.0	3647	BS30G06-../D04LA4	53	10000	-
0.03	0.33	490*	1.0	4184	BS30G06-../D04LA4	53	10000	-
0.03	0.28	510*	1.0	4905	BS30G06-../D04LA4	53	10000	-
0.03	0.24	520*	1.0	5783	BS30G06-../D04LA4	53	10000	-
0.03	0.22	520*	1.0	6308	BS30G06-../D04LA4	53	10000	-
0.03	0.19	520*	1.0	7179	BS30G06-../D04LA4	53	10000	-
0.03	0.17	520*	1.0	8362	BS30G06-../D04LA4	53	10000	-

9

0.04 kW



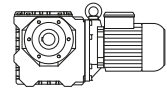
P _N [kW]	50 Hz			i [:1]	Type	m		
	n ₂ [1/min]	M ₂ [Nm]	f _B [-]			[kg]	[N]	[N]
0.04	127	2.45	10	10.67	BS02-../D04LA4	3.5	1250	-
0.04	100	2.95	8.5	13.50	BS02-../D04LA4	3.5	1250	-
0.04	75	3.75	6.7	18.00	BS02-../D04LA4	3.5	1250	-
0.04	62	4.3	5.8	22.00	BS02-../D04LA4	3.5	1250	-
0.04	50	4.8	5.2	27.00	BS02-../D04LA4	3.5	1250	-
0.04	41	5.5	4.5	33.00	BS02-../D04LA4	3.5	1250	-
0.04	31.5	7.5	3.2	43.00	BS02-../D04LA4	3.5	1250	-
0.04	25	8.7	2.5	54.00	BS02-../D04LA4	3.5	1250	-
0.04	19.5	9.9	2.0	70.00	BS02-../D04LA4	3.5	1250	-
0.04	21.5	11.1	3.2	64.06	BS04-../D04LA4	3.9	2250	-
0.04	19	13.2	2.9	71.18	BS04-../D04LA4	3.9	2250	-
0.04	18	12.9	2.9	77.00	BS04-../D04LA4	3.9	2250	-
0.04	14.5	15.5	2.5	93.92	BS04-../D04LA4	3.9	2250	-
0.04	13.5	18.1	2.1	102.9	BS04-../D04LA4	3.9	2250	-
0.04	12	18.1	2.1	117.0	BS04-../D04LA4	3.9	2250	-
0.04	11	21.5	1.9	123.0	BS04-../D04LA4	3.9	2250	-
0.04	9.8	24	1.75	138.4	BS04-../D04LA4	3.9	2250	-
0.04	9.0	23	1.7	150.3	BS04-../D04LA4	3.9	2250	-
0.04	8.5	27	1.35	160.1	BS04-../D04LA4	3.9	2250	-
0.04	7.8	26	1.55	174.0	BS04-../D04LA4	3.9	2250	-
0.04	6.2	32.5	1.25	220.0	BS04-../D04LA4	3.9	2250	-
0.04	5.4	36.5	1.1	251.6	BS04-../D04LA4	3.9	2250	-
0.04	4.5	43	1.0	300.7	BS04-../D04LA4	3.9	2250	-
0.04	4.0	47.5	0.93	338.3	BS04-../D04LA4	3.9	2250	-
0.04	3.5	53	0.85	391.3	BS04-../D04LA4	3.9	2250	-
0.04	3.6	75	1.25	381.5	BS06G04-../D04LA4	11	3500	-

The torques marked (*) are maximum permissible torques for service factor f_B=1.0.

BS-series worm-geared motors

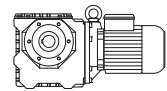
Selection - worm-geared motors

0.04 kW



P _N [kW]	n ₂ [1/min]	50 Hz		i [:1]	Type	m		
		M ₂ [Nm]	f _B [-]			[kg]	[N]	[N]
0.04	2.9	93	1.0	474.8	BS06G04-../D04LA4	11	3500	-
0.04	2.5	105	0.95	552.6	BS06G04-../D04LA4	11	3500	-
0.04	2.3	117	0.8	610.7	BS06G04-../D04LA4	11	3500	-
0.04	7.9	30.5	2.9	171.0	BS06-../D04LA4	8.4	3500	-
0.04	6.2	36	2.7	220.0	BS06-../D04LA4	8.4	3500	-
0.04	5.4	41	2.4	252.0	BS06-../D04LA4	8.4	3500	-
0.04	4.3	50	2.1	315.3	BS06-../D04LA4	8.4	3500	-
0.04	3.8	56	1.95	358.9	BS06-../D04LA4	8.4	3500	-
0.04	3.3	63	1.75	418.0	BS06-../D04LA4	8.4	3500	-
0.04	3.8	62	3.1	360.3	BS10Z-../D04LA4	21	6000	-
0.04	3.2	72	2.6	432.4	BS10Z-../D04LA4	21	6000	-
0.04	2.5	90	2.1	544.8	BS10Z-../D04LA4	21	6000	-
0.04	2.2	97	1.95	638.7	BS10Z-../D04LA4	21	6000	-
0.04	1.8	114	1.6	788.7	BS10Z-../D04LA4	21	6000	-
0.04	1.5	134	1.2	905.6	BS10Z-../D04LA4	21	6000	-
0.04	1.4	174	0.92	969.9	BS10G06-../D04LA4	25	6000	-
0.04	1.2	200	0.8	1166	BS10G06-../D04LA4	25	6000	-
0.04	1.8	114	2.7	763.4	BS20Z-../D04LA4	32	8000	-
0.04	1.7	148	1.8	831.7	BS20G06-../D04LA4	35	8000	-
0.04	1.4	180	1.5	1000	BS20G06-../D04LA4	35	8000	-
0.04	1.1	225	1.2	1311	BS20G06-../D04LA4	35	8000	-
0.04	1.4	188	2.6	1022	BS30G06-../D04LA4	53	10000	-
0.04	1.2	215	2.3	1176	BS30G06-../D04LA4	53	10000	-
0.04	0.95	275	1.8	1461	BS30G06-../D04LA4	53	10000	-
0.04	0.9	290	1.7	1576	BS30G06-../D04LA4	53	10000	-
0.04	0.75	350	1.4	1886	BS30G06-../D04LA4	53	10000	-
0.04	0.6	435	1.15	2308	BS30G06-../D04LA4	53	10000	-
0.04	0.55	475	1.05	2518	BS30G06-../D04LA4	53	10000	-

0.06 kW



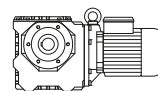
P _N [kW]	n ₂ [1/min]	50 Hz		i [:1]	Type	m		
		M ₂ [Nm]	f _B [-]			[kg]	[N]	[N]
0.06	295	1.7	8.8	4.60	BS02-../D04LA4	3.5	1000	-
0.06	250	2.0	10	5.40	BS02-../D04LA4	3.5	1000	-
0.06	200	2.45	10	6.75	BS02-../D04LA4	3.5	1000	-
0.06	164	2.9	8.6	8.25	BS02-../D04LA4	3.5	1100	-
0.06	127	3.65	6.8	10.67	BS02-../D04LA4	3.5	1250	-
0.06	100	4.45	5.6	13.50	BS02-../D04LA4	3.5	1250	-
0.06	75	5.6	4.5	18.00	BS02-../D04LA4	3.5	1250	-
0.06	62	6.4	3.9	22.00	BS02-../D04LA4	3.5	1250	-
0.06	50	7.2	3.5	27.00	BS02-../D04LA4	3.5	1250	-
0.06	41	8.3	3.0	33.00	BS02-../D04LA4	3.5	1250	-
0.06	31.5	11.2	2.1	43.00	BS02-../D04LA4	3.5	1250	-
0.06	25	13	1.7	54.00	BS02-../D04LA4	3.5	1250	-
0.06	19.5	14.9	1.35	70.00	BS02-../D04LA4	3.5	1250	-
0.06	18	16.2	2.5	75.00	BS03-../D05LA4	5.4	1950	-
0.06	35.5	11.1	3.3	38.42	BS04-../D04LA4	3.9	2250	-
0.06	28.5	13.6	2.8	47.86	BS04-../D04LA4	3.9	2250	-
0.06	21.5	16.7	2.2	64.06	BS04-../D04LA4	3.9	2250	-
0.06	19	19.9	1.9	71.18	BS04-../D04LA4	3.9	2250	-
0.06	18	19.4	1.95	77.00	BS04-../D04LA4	3.9	2250	-
0.06	14.5	23	1.65	93.92	BS04-../D04LA4	3.9	2250	-
0.06	13.5	27	1.4	102.9	BS04-../D04LA4	3.9	2250	-
0.06	12	27	1.4	117.0	BS04-../D04LA4	3.9	2250	-
0.06	11	32.5	1.25	123.0	BS04-../D04LA4	3.9	2250	-
0.06	9.8	36	1.15	138.4	BS04-../D04LA4	3.9	2250	-
0.06	9.0	35	1.1	150.3	BS04-../D04LA4	3.9	2250	-
0.06	8.5	41	0.9	160.1	BS04-../D04LA4	3.9	2250	-

The torques marked (*) are maximum permissible torques for service factor f_B=1.0.

BS-series worm-geared motors

Selection - worm-geared motors

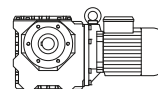
0.06 kW



P _N [kW]	50 Hz			i [:1]	Type	m		
	n ₂ [1/min]	M ₂ [Nm]	f _B [—]			[kg]	[N]	[N]
0.06	7.8	39.5	1.0	174.0	BS04-../D04LA4	3.9	2250	-
0.06	6.2	48.5	0.82	220.0	BS04-../D04LA4	3.9	2250	-
0.06	3.6	113	0.83	381.5	BS06G04-../D04LA4	11	3500	-
0.06	11.5	32	2.9	118.8	BS06-../D04LA4	8.4	3500	-
0.06	10.5	36.5	2.8	129.0	BS06-../D04LA4	8.4	3500	-
0.06	9.2	40	2.7	146.8	BS06-../D04LA4	8.4	3500	-
0.06	7.8	44	2.2	174.0	BS06-../D04LA4	8.4	3500	-
0.06	6.2	54	1.8	220.0	BS06-../D04LA4	8.4	3500	-
0.06	5.4	61	1.6	252.0	BS06-../D04LA4	8.4	3500	-
0.06	4.3	75	1.4	315.3	BS06-../D04LA4	8.4	3500	-
0.06	3.8	84	1.3	358.9	BS06-../D04LA4	8.4	3500	-
0.06	3.3	95	1.15	418.0	BS06-../D04LA4	8.4	3500	-
0.06	11.5	36.5	3.3	119.6	BS10-../D06LA4	23	6000	-
0.06	6.3	58	3.1	216.6	BS10-../D06LA4	23	6000	-
0.06	5.4	67	2.7	254.0	BS10Z-../D06LA4	24	6000	-
0.06	4.5	78	2.4	302.5	BS10Z-../D06LA4	24	6000	-
0.06	3.8	93	2.0	360.3	BS10Z-../D06LA4	24	6000	-
0.06	3.2	109	1.75	432.4	BS10Z-../D06LA4	24	6000	-
0.06	2.5	135	1.4	544.8	BS10Z-../D06LA4	24	6000	-
0.06	2.2	145	1.3	638.7	BS10Z-../D06LA4	24	6000	-
0.06	1.8	171	1.05	788.7	BS10Z-../D06LA4	24	6000	-
0.06	3.2	109	3.0	430.8	BS20Z-../D06LA4	35	8000	-
0.06	2.6	121	3.0	539.7	BS20Z-../D06LA4	35	8000	-
0.06	2.2	140	2.4	619.2	BS20Z-../D06LA4	35	8000	-
0.06	1.8	171	1.8	763.4	BS20Z-../D06LA4	35	8000	-
0.06	1.7	220	1.25	831.7	BS20G06-../D06LA4	38	8000	-
0.06	1.4	270	1.0	1000	BS20G06-../D06LA4	38	8000	-
0.06	1.7	195	2.4	804.1	BS30Z-../D06LA4	54	10000	-
0.06	1.5	215	2.1	932.0	BS30Z-../D06LA4	54	10000	-
0.06	1.4	280	1.75	1022	BS30G06-../D06LA4	56	10000	-
0.06	1.2	325	1.5	1176	BS30G06-../D06LA4	56	10000	-
0.06	0.95	415	1.2	1461	BS30G06-../D06LA4	56	10000	-
0.06	0.9	435	1.15	1576	BS30G06-../D06LA4	56	10000	-
0.06	1.5	225	3.3	908.2	BS40Z-../D06LA4	68	15000	-
0.06	1.4	285	3.1	965.5	BS40G10-../D06LA4	73	15000	-
0.06	1.2	330	2.7	1180	BS40G10-../D06LA4	73	15000	-
0.06	0.95	420	2.1	1499	BS40G10-../D06LA4	73	15000	-
0.06	0.8	500	1.75	1785	BS40G10-../D06LA4	73	15000	-
0.06	0.65	610	1.45	2126	BS40G10-../D06LA4	73	15000	-
0.06	0.6	660	1.35	2304	BS40G10-../D06LA4	73	15000	-
0.06	0.55	720	1.2	2552	BS40G10-../D06LA4	73	15000	-
0.06	0.47	850	1.05	2902	BS40G10-../D06LA4	73	15000	-

9

0.09 kW



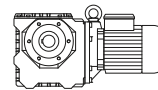
P _N [kW]	50 Hz			i [:1]	Type	m		
	n ₂ [1/min]	M ₂ [Nm]	f _B [—]			[kg]	[N]	[N]
0.09	295	2.55	5.9	4.60	BS02-../D04LA4	3.5	1000	-
0.09	250	3.0	6.7	5.40	BS02-../D04LA4	3.5	1000	-
0.09	200	3.65	6.8	6.75	BS02-../D04LA4	3.5	1000	-
0.09	164	4.4	5.7	8.25	BS02-../D04LA4	3.5	1100	-
0.09	127	5.5	4.5	10.67	BS02-../D04LA4	3.5	1250	-
0.09	100	6.7	3.7	13.50	BS02-../D04LA4	3.5	1250	-
0.09	75	8.4	3.0	18.00	BS02-../D04LA4	3.5	1250	-
0.09	62	9.7	2.6	22.00	BS02-../D04LA4	3.5	1250	-
0.09	50	10.8	2.3	27.00	BS02-../D04LA4	3.5	1250	-
0.09	41	12.5	2.0	33.00	BS02-../D04LA4	3.5	1250	-
0.09	31.5	16.9	1.4	43.00	BS02-../D04LA4	3.5	1250	-
0.09	25	19.5	1.15	54.00	BS02-../D04LA4	3.5	1250	-

The torques marked (*) are maximum permissible torques for service factor f_B=1.0.

BS-series worm-geared motors

Selection - worm-geared motors

0.09 kW



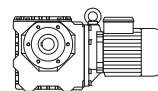
P _N [kW]	50 Hz			i [:1]	Type	m [kg]	[N]	[N]
	n ₂ [1/min]	M ₂ [Nm]	f _B [-]					
0.09	19.5	22	0.91	70.00	BS02-../D04LA4	3.5	1250	-
0.09	27	18.4	3.0	50.00	BS03-../D05LA4	5.4	1950	-
0.09	22	20.5	2.3	62.00	BS03-../D05LA4	5.4	1950	-
0.09	18	24	1.65	75.00	BS03-../D05LA4	5.4	1950	-
0.09	56	11.6	2.9	24.25	BS04-../D04LA4	3.9	2250	-
0.09	52	11.7	3.2	26.21	BS04-../D04LA4	3.9	2250	-
0.09	43	13.9	2.7	31.50	BS04-../D04LA4	3.9	2250	-
0.09	35.5	16.7	2.2	38.42	BS04-../D04LA4	3.9	2250	-
0.09	28.5	20.5	1.85	47.86	BS04-../D04LA4	3.9	2250	-
0.09	21.5	25	1.45	64.06	BS04-../D04LA4	3.9	2250	-
0.09	19	29.5	1.3	71.18	BS04-../D04LA4	3.9	2250	-
0.09	18	29	1.3	77.00	BS04-../D04LA4	3.9	2250	-
0.09	14.5	34.5	1.1	93.92	BS04-../D04LA4	3.9	2250	-
0.09	13.5	40.5	0.94	102.9	BS04-../D04LA4	3.9	2250	-
0.09	12	40.5	0.94	117.0	BS04-../D04LA4	3.9	2250	-
0.09	11	49	0.84	123.0	BS04-../D04LA4	3.9	2250	-
0.09	21.5	27	3.0	64.06	BS06-../D04LA4	8.4	3500	-
0.09	19	32	2.9	71.18	BS06-../D04LA4	8.4	3500	-
0.09	18	31.5	2.7	77.00	BS06-../D04LA4	8.4	3500	-
0.09	15	40	2.5	90.00	BS06-../D04LA4	8.4	3500	-
0.09	13.5	43.5	2.3	103.1	BS06-../D04LA4	8.4	3500	-
0.09	11.5	48.5	1.95	118.8	BS06-../D04LA4	8.4	3500	-
0.09	10.5	54	1.95	129.0	BS06-../D04LA4	8.4	3500	-
0.09	9.2	60	1.75	146.8	BS06-../D04LA4	8.4	3500	-
0.09	7.8	66	1.5	174.0	BS06-../D04LA4	8.4	3500	-
0.09	6.2	81	1.2	220.0	BS06-../D04LA4	8.4	3500	-
0.09	5.4	92	1.1	252.0	BS06-../D04LA4	8.4	3500	-
0.09	4.3	113	0.94	315.3	BS06-../D04LA4	8.4	3500	-
0.09	3.8	126	0.87	358.9	BS06-../D04LA4	8.4	3500	-
0.09	11.5	55	2.2	119.6	BS10-../D06LA4	23	6000	-
0.09	10.5	52	3.2	130.3	BS10-../D06LA4	23	6000	-
0.09	8.9	61	2.7	152.7	BS10-../D06LA4	23	6000	-
0.09	7.2	76	2.2	188.6	BS10-../D06LA4	23	6000	-
0.09	6.3	87	2.1	216.6	BS10-../D06LA4	23	6000	-
0.09	5.4	101	1.8	254.0	BS10Z-../D06LA4	24	6000	-
0.09	4.5	118	1.6	302.5	BS10Z-../D06LA4	24	6000	-
0.09	3.8	140	1.35	360.3	BS10Z-../D06LA4	24	6000	-
0.09	3.2	163	1.15	432.4	BS10Z-../D06LA4	24	6000	-
0.09	2.5	200	0.95	544.8	BS10Z-../D06LA4	24	6000	-
0.09	2.2	215	0.88	638.7	BS10Z-../D06LA4	24	6000	-
0.09	6.0	91	3.2	225.6	BS20-../D06LA4	34	8000	-
0.09	5.3	103	2.9	257.8	BS20Z-../D06LA4	35	8000	-
0.09	4.5	120	2.5	300.1	BS20Z-../D06LA4	35	8000	-
0.09	3.8	140	2.3	359.9	BS20Z-../D06LA4	35	8000	-
0.09	3.2	163	2.0	430.8	BS20Z-../D06LA4	35	8000	-
0.09	2.6	181	2.0	539.7	BS20Z-../D06LA4	35	8000	-
0.09	2.2	210	1.55	619.2	BS20Z-../D06LA4	35	8000	-
0.09	1.8	255	1.2	763.4	BS20Z-../D06LA4	35	8000	-
0.09	1.7	330	0.82	831.7	BS20G06-../D06LA4	38	8000	-
0.09	3.8	167	2.4	359.6	BS30Z-../D06LA4	54	10000	-
0.09	3.0	183	3.3	457.3	BS30Z-../D06LA4	54	10000	-
0.09	2.6	210	2.9	539.3	BS30Z-../D06LA4	54	10000	-
0.09	2.1	245	2.4	651.0	BS30Z-../D06LA4	54	10000	-
0.09	1.7	290	1.65	804.1	BS30Z-../D06LA4	54	10000	-
0.09	1.5	325	1.4	932.0	BS30Z-../D06LA4	54	10000	-
0.09	1.4	420	1.15	1022	BS30G06-../D06LA4	56	10000	-
0.09	1.2	490	1.0	1176	BS30G06-../D06LA4	56	10000	-
0.09	1.9	270	2.8	736.5	BS40Z-../D06LA4	68	15000	-
0.09	1.5	335	2.2	908.2	BS40Z-../D06LA4	68	15000	-
0.09	1.4	425	2.1	965.5	BS40G10-../D06LA4	73	15000	-
0.09	1.2	500	1.75	1180	BS40G10-../D06LA4	73	15000	-
0.09	0.95	630	1.4	1499	BS40G10-../D06LA4	73	15000	-

The torques marked (*) are maximum permissible torques for service factor f_B=1.0.

BS-series worm-geared motors

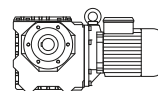
Selection - worm-geared motors

0.09 kW



P _N [kW]	n ₂ [1/min]	50 Hz		i [:1]	Type	m [kg]	[N]	[N]
		M ₂ [Nm]	f _B [—]					
0.09	0.8	750	1.15	1785	BS40G10-../D06LA4	73	15000	-

0.11 kW



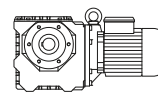
P _N [kW]	n ₂ [1/min]	50 Hz		i [:1]	Type	m [kg]	[N]	[N]
		M ₂ [Nm]	f _B [—]					
0.11	295	3.1	4.8	4.60	BS02-../D04LA4	3.5	1000	-
0.11	250	3.65	5.5	5.40	BS02-../D04LA4	3.5	1000	-
0.11	200	4.5	5.6	6.75	BS02-../D04LA4	3.5	1000	-
0.11	164	5.3	4.7	8.25	BS02-../D04LA4	3.5	1100	-
0.11	127	6.7	3.7	10.67	BS02-../D04LA4	3.5	1250	-
0.11	100	8.1	3.1	13.50	BS02-../D04LA4	3.5	1250	-
0.11	75	10.3	2.4	18.00	BS02-../D04LA4	3.5	1250	-
0.11	62	11.8	2.1	22.00	BS02-../D04LA4	3.5	1250	-
0.11	50	13.2	1.9	27.00	BS02-../D04LA4	3.5	1250	-
0.11	41	15.3	1.65	33.00	BS02-../D04LA4	3.5	1250	-
0.11	31.5	20.5	1.15	43.00	BS02-../D04LA4	3.5	1250	-
0.11	25	23.5	0.94	54.00	BS02-../D04LA4	3.5	1250	-
0.11	65	12.2	3.0	20.96	BS04-../D04LA4	3.9	2100	-
0.11	56	14.2	2.4	24.25	BS04-../D04LA4	3.9	2250	-
0.11	52	14.3	2.7	26.21	BS04-../D04LA4	3.9	2250	-
0.11	43	17.1	2.2	31.50	BS04-../D04LA4	3.9	2250	-
0.11	35.5	20	1.85	38.42	BS04-../D04LA4	3.9	2250	-
0.11	28.5	25	1.5	47.86	BS04-../D04LA4	3.9	2250	-
0.11	21.5	30.5	1.2	64.06	BS04-../D04LA4	3.9	2250	-
0.11	19	36	1.05	71.18	BS04-../D04LA4	3.9	2250	-
0.11	18	35.5	1.05	77.00	BS04-../D04LA4	3.9	2250	-
0.11	14.5	42.5	0.89	93.92	BS04-../D04LA4	3.9	2250	-
0.11	3.6	94*	1.0	381.5	BS06G04-../D04LA4	11	3500	-
0.11	2.9	94*	1.0	474.8	BS06G04-../D04LA4	11	3500	-
0.11	2.5	100*	1.0	552.6	BS06G04-../D04LA4	11	3500	-
0.11	2.3	94*	1.0	610.7	BS06G04-../D04LA4	11	3500	-
0.11	2.0	94*	1.0	704.7	BS06G04-../D04LA4	11	3500	-
0.11	1.6	94*	1.0	847.0	BS06G04-../D04LA4	11	3500	-
0.11	1.5	94*	1.0	939.6	BS06G04-../D04LA4	11	3500	-
0.11	1.2	94*	1.0	1170	BS06G04-../D04LA4	11	3500	-
0.11	0.9	94*	1.0	1503	BS06G04-../D04LA4	11	3500	-
0.11	0.85	94*	1.0	1654	BS06G04-../D04LA4	11	3500	-
0.11	0.75	94*	1.0	1914	BS06G04-../D04LA4	11	3500	-
0.11	0.65	94*	1.0	2200	BS06G04-../D04LA4	11	3500	-
0.11	0.49	94*	1.0	2768	BS06G04-../D04LA4	11	3500	-
0.11	0.45	94*	1.0	3007	BS06G04-../D04LA4	11	3500	-
0.11	0.41	94*	1.0	3308	BS06G04-../D04LA4	11	3500	-
0.11	0.37	94*	1.0	3721	BS06G04-../D04LA4	11	3500	-
0.11	0.32	94*	1.0	4304	BS06G04-../D04LA4	11	3500	-
0.11	0.28	98*	1.0	4947	BS06G04-../D04LA4	11	3500	-
0.11	0.25	98*	1.0	5442	BS06G04-../D04LA4	11	3500	-
0.11	0.22	100*	1.0	6234	BS06G04-../D04LA4	11	3500	-
0.11	28	27	3.3	48.60	BS06-../D04LA4	8.4	3500	-
0.11	23.5	31.5	2.9	58.15	BS06-../D04LA4	8.4	3500	-
0.11	21.5	33	2.4	64.06	BS06-../D04LA4	8.4	3500	-
0.11	19	39	2.4	71.18	BS06-../D04LA4	8.4	3500	-
0.11	18	39	2.2	77.00	BS06-../D04LA4	8.4	3500	-
0.11	15	49	2.0	90.00	BS06-../D04LA4	8.4	3500	-
0.11	13.5	53	1.9	103.1	BS06-../D04LA4	8.4	3500	-
0.11	11.5	59	1.6	118.8	BS06-../D04LA4	8.4	3500	-
0.11	10.5	67	1.55	129.0	BS06-../D04LA4	8.4	3500	-
0.11	9.2	74	1.45	146.8	BS06-../D04LA4	8.4	3500	-
0.11	7.8	80	1.25	174.0	BS06-../D04LA4	8.4	3500	-
0.11	6.2	99	0.99	220.0	BS06-../D04LA4	8.4	3500	-
0.11	5.4	112	0.88	252.0	BS06-../D04LA4	8.4	3500	-

The torques marked (*) are maximum permissible torques for service factor f_B=1.0.

BS-series worm-geared motors

Selection - worm-geared motors

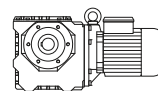
0.11 kW



P _N [kW]	n ₂ [1/min]	50 Hz		i [:1]	Type	m [kg]	[N]	[N]
		M ₂ [Nm]	f _B [-]					
0.11	6.8	98	1.5	200.0	BS10Z-../D04LA4	21	6000	-
0.11	5.4	124	1.45	254.0	BS10Z-../D04LA4	21	6000	-
0.11	4.5	144	1.3	302.5	BS10Z-../D04LA4	21	6000	-
0.11	3.8	171	1.1	360.3	BS10Z-../D04LA4	21	6000	-
0.11	3.2	200	0.95	432.4	BS10Z-../D04LA4	21	6000	-
0.11	1.4	160*	1.0	969.9	BS10G06-../D04LA4	25	6000	-
0.11	1.2	160*	1.0	1166	BS10G06-../D04LA4	25	6000	-
0.11	1.1	160*	1.0	1342	BS10G06-../D04LA4	25	6000	-
0.11	0.9	160*	1.0	1528	BS10G06-../D04LA4	25	6000	-
0.11	0.85	160*	1.0	1668	BS10G06-../D04LA4	25	6000	-
0.11	0.7	160*	1.0	1963	BS10G06-../D04LA4	25	6000	-
0.11	0.6	160*	1.0	2348	BS10G06-../D04LA4	25	6000	-
0.11	0.55	160*	1.0	2635	BS10G06-../D04LA4	25	6000	-
0.11	0.47	160*	1.0	2875	BS10G06-../D04LA4	25	6000	-
0.11	0.41	160*	1.0	3332	BS10G06-../D04LA4	25	6000	-
0.11	0.38	160*	1.0	3635	BS10G06-../D04LA4	25	6000	-
0.11	0.33	160*	1.0	4163	BS10G06-../D04LA4	25	6000	-
0.11	0.29	160*	1.0	4776	BS10G06-../D04LA4	25	6000	-
0.11	0.26	160*	1.0	5209	BS10G06-../D04LA4	25	6000	-
0.11	0.23	164*	1.0	6019	BS10G06-../D04LA4	25	6000	-
0.11	0.21	164*	1.0	6565	BS10G06-../D04LA4	25	6000	-
0.11	0.19	164*	1.0	7471	BS10G06-../D04LA4	25	6000	-
0.11	0.16	164*	1.0	8703	BS10G06-../D04LA4	25	6000	-
0.11	6.8	98	2.9	201.4	BS20Z-../D04LA4	32	8000	-
0.11	5.3	126	2.3	257.8	BS20Z-../D04LA4	32	8000	-
0.11	4.5	147	2.0	300.1	BS20Z-../D04LA4	32	8000	-
0.11	3.8	171	1.85	359.9	BS20Z-../D04LA4	32	8000	-
0.11	3.2	200	1.65	430.8	BS20Z-../D04LA4	32	8000	-
0.11	2.6	220	1.65	539.7	BS20Z-../D04LA4	32	8000	-
0.11	2.2	255	1.3	619.2	BS20Z-../D04LA4	32	8000	-
0.11	1.8	315	0.98	763.4	BS20Z-../D04LA4	32	8000	-
0.11	1.7	270*	1.0	831.7	BS20G06-../D04LA4	35	8000	-
0.11	1.4	270*	1.0	1000	BS20G06-../D04LA4	35	8000	-
0.11	1.1	270*	1.0	1311	BS20G06-../D04LA4	35	8000	-
0.11	0.9	270*	1.0	1543	BS20G06-../D04LA4	35	8000	-
0.11	0.85	270*	1.0	1683	BS20G06-../D04LA4	35	8000	-
0.11	0.7	270*	1.0	2014	BS20G06-../D04LA4	35	8000	-
0.11	0.55	270*	1.0	2465	BS20G06-../D04LA4	35	8000	-
0.11	0.48	270*	1.0	2857	BS20G06-../D04LA4	35	8000	-
0.11	0.44	270*	1.0	3117	BS20G06-../D04LA4	35	8000	-
0.11	0.38	270*	1.0	3570	BS20G06-../D04LA4	35	8000	-
0.11	0.33	270*	1.0	4096	BS20G06-../D04LA4	35	8000	-
0.11	0.28	270*	1.0	4910	BS20G06-../D04LA4	35	8000	-
0.11	0.23	270*	1.0	5880	BS20G06-../D04LA4	35	8000	-
0.11	0.19	275*	1.0	7363	BS20G06-../D04LA4	35	8000	-
0.11	0.17	275*	1.0	8031	BS20G06-../D04LA4	35	8000	-
0.11	0.15	280*	1.0	9220	BS20G06-../D04LA4	35	8000	-
0.11	1.4	510	0.96	1022	BS30G06-../D04LA4	53	10000	-
0.11	1.2	600	0.82	1176	BS30G06-../D04LA4	53	10000	-
0.11	0.95	490*	1.0	1461	BS30G06-../D04LA4	53	10000	-
0.11	0.9	490*	1.0	1576	BS30G06-../D04LA4	53	10000	-
0.11	0.75	490*	1.0	1886	BS30G06-../D04LA4	53	10000	-
0.11	0.6	490*	1.0	2308	BS30G06-../D04LA4	53	10000	-
0.11	0.55	490*	1.0	2518	BS30G06-../D04LA4	53	10000	-
0.11	0.47	490*	1.0	2919	BS30G06-../D04LA4	53	10000	-
0.11	0.41	490*	1.0	3344	BS30G06-../D04LA4	53	10000	-
0.11	0.38	490*	1.0	3647	BS30G06-../D04LA4	53	10000	-
0.11	0.33	490*	1.0	4184	BS30G06-../D04LA4	53	10000	-
0.11	0.28	510*	1.0	4905	BS30G06-../D04LA4	53	10000	-
0.11	0.24	520*	1.0	5783	BS30G06-../D04LA4	53	10000	-
0.11	0.22	520*	1.0	6308	BS30G06-../D04LA4	53	10000	-
0.11	0.19	520*	1.0	7179	BS30G06-../D04LA4	53	10000	-
0.11	0.17	520*	1.0	8362	BS30G06-../D04LA4	53	10000	-

The torques marked (*) are maximum permissible torques for service factor f_B=1.0.

0.12 kW



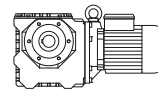
P _N [kW]	50 Hz			i [:1]	Type	m [kg]	[N]	[N]
	n ₂ [1/min]	M ₂ [Nm]	f _B [-]					
0.12	305	3.3	4.5	4.60	BS02-../DHE05LA4	5.3	1000	-
0.12	260	3.85	5.2	5.40	BS02-../DHE05LA4	5.3	1000	-
0.12	210	4.65	5.4	6.75	BS02-../DHE05LA4	5.3	1000	-
0.12	169	5.6	4.5	8.25	BS02-../DHE05LA4	5.3	1100	-
0.12	131	7.1	3.5	10.67	BS02-../DHE05LA4	5.3	1250	-
0.12	103	8.6	2.9	13.50	BS02-../DHE05LA4	5.3	1250	-
0.12	78	10.8	2.3	18.00	BS02-../DHE05LA4	5.3	1250	-
0.12	64	12.5	2.0	22.00	BS02-../DHE05LA4	5.3	1250	-
0.12	52	13.8	1.8	27.00	BS02-../DHE05LA4	5.3	1250	-
0.12	42.5	16.1	1.55	33.00	BS02-../DHE05LA4	5.3	1250	-
0.12	32.5	21.5	1.1	43.00	BS02-../DHE05LA4	5.3	1250	-
0.12	26	25	0.88	54.00	BS02-../DHE05LA4	5.3	1250	-
0.12	36	20	2.8	39.00	BS03-../DHE05LA4	5.4	1950	-
0.12	28	23.5	2.3	50.00	BS03-../DHE05LA4	5.4	1950	-
0.12	22.5	26.5	1.8	62.00	BS03-../DHE05LA4	5.4	1950	-
0.12	19	30.5	1.3	75.00	BS03-../DHE05LA4	5.4	1950	-
0.12	78	10.4	3.3	18.00	BS04-../DHE05LA4	5.8	1950	-
0.12	67	12.9	2.9	20.96	BS04-../DHE05LA4	5.8	2100	-
0.12	58	15	2.3	24.25	BS04-../DHE05LA4	5.8	2250	-
0.12	54	15	2.5	26.21	BS04-../DHE05LA4	5.8	2250	-
0.12	44.5	18	2.1	31.50	BS04-../DHE05LA4	5.8	2250	-
0.12	36.5	21.5	1.7	38.42	BS04-../DHE05LA4	5.8	2250	-
0.12	29.5	26	1.45	47.86	BS04-../DHE05LA4	5.8	2250	-
0.12	23	33	1.15	61.50	BS04-../DHE05LA4	5.8	2250	-
0.12	22	32.5	1.1	64.06	BS04-../DHE05LA4	5.8	2250	-
0.12	20	37.5	1.0	71.18	BS04-../DHE05LA4	5.8	2250	-
0.12	18.5	37.5	1.0	77.00	BS04-../DHE05LA4	5.8	2250	-
0.12	15	45	0.84	93.92	BS04-../DHE05LA4	5.8	2250	-
0.12	29	28	3.1	48.60	BS06-../DHE05LA4	10	3500	-
0.12	24	33.5	2.7	58.15	BS06-../DHE05LA4	10	3500	-
0.12	22	35	2.3	64.06	BS06-../DHE05LA4	10	3500	-
0.12	20	40.5	2.3	71.18	BS06-../DHE05LA4	10	3500	-
0.12	18.5	41.5	2.0	77.00	BS06-../DHE05LA4	10	3500	-
0.12	15.5	51	1.9	90.00	BS06-../DHE05LA4	10	3500	-
0.12	13.5	58	1.7	103.1	BS06-../DHE05LA4	10	3500	-
0.12	12	62	1.5	118.8	BS06-../DHE05LA4	10	3500	-
0.12	11	69	1.5	129.0	BS06-../DHE05LA4	10	3500	-
0.12	9.5	78	1.35	146.8	BS06-../DHE05LA4	10	3500	-
0.12	8.0	85	1.15	174.0	BS06-../DHE05LA4	10	3500	-
0.12	6.4	105	0.93	220.0	BS06-../DHE05LA4	10	3500	-
0.12	5.6	118	0.84	252.0	BS06-../DHE05LA4	10	3500	-
0.12	16.5	51	2.9	84.36	BS10-../DHE06LA4	23	5300	-
0.12	13.5	54	3.0	103.4	BS10-../DHE06LA4	23	5600	-
0.12	12	70	1.75	119.6	BS10-../DHE06LA4	23	6000	-
0.12	11	66	2.5	130.3	BS10-../DHE06LA4	23	6000	-
0.12	9.1	80	2.1	152.7	BS10-../DHE06LA4	23	6000	-
0.12	7.4	99	1.7	188.6	BS10-../DHE06LA4	23	6000	-
0.12	6.4	114	1.6	216.6	BS10-../DHE06LA4	23	6000	-
0.12	5.5	133	1.35	254.0	BS10Z-../DHE06LA4	24	6000	-
0.12	4.6	154	1.25	302.5	BS10Z-../DHE06LA4	24	6000	-
0.12	3.9	182	1.05	360.3	BS10Z-../DHE06LA4	24	6000	-
0.12	3.3	210	0.9	432.4	BS10Z-../DHE06LA4	24	6000	-
0.12	1.5	160*	1.0	969.9	BS10G06-../DHE06LA4	28	6000	-
0.12	1.2	160*	1.0	1166	BS10G06-../DHE06LA4	28	6000	-
0.12	1.1	160*	1.0	1342	BS10G06-../DHE06LA4	28	6000	-
0.12	0.95	160*	1.0	1528	BS10G06-../DHE06LA4	28	6000	-
0.12	0.85	160*	1.0	1668	BS10G06-../DHE06LA4	28	6000	-
0.12	0.75	160*	1.0	1963	BS10G06-../DHE06LA4	28	6000	-
0.12	0.6	160*	1.0	2348	BS10G06-../DHE06LA4	28	6000	-
0.12	0.55	160*	1.0	2635	BS10G06-../DHE06LA4	28	6000	-
0.12	0.49	160*	1.0	2875	BS10G06-../DHE06LA4	28	6000	-
0.12	0.42	160*	1.0	3332	BS10G06-../DHE06LA4	28	6000	-
0.12	0.39	160*	1.0	3635	BS10G06-../DHE06LA4	28	6000	-
0.12	0.34	160*	1.0	4163	BS10G06-../DHE06LA4	28	6000	-
0.12	0.29	160*	1.0	4776	BS10G06-../DHE06LA4	28	6000	-
0.12	0.27	160*	1.0	5209	BS10G06-../DHE06LA4	28	6000	-

The torques marked (*) are maximum permissible torques for service factor f_B=1.0.

BS-series worm-geared motors

Selection - worm-geared motors

0.12 kW



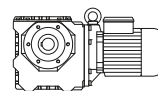
P _N [kW]	n ₂ [1/min]	50 Hz		i [:1]	Type	m [kg]	[N]	[N]
		M ₂ [Nm]	f _B [-]					
0.12	0.24	164*	1.0	6019	BS10G06-../DHE06LA4	28	6000	-
0.12	0.22	164*	1.0	6565	BS10G06-../DHE06LA4	28	6000	-
0.12	0.19	164*	1.0	7471	BS10G06-../DHE06LA4	28	6000	-
0.12	0.16	164*	1.0	8703	BS10G06-../DHE06LA4	28	6000	-
0.12	8.7	86	3.2	159.4	BS20-../DHE06LA4	34	8000	-
0.12	7.6	99	2.8	183.0	BS20-../DHE06LA4	34	8000	-
0.12	6.2	118	2.5	225.6	BS20-../DHE06LA4	34	8000	-
0.12	5.4	135	2.2	257.8	BS20Z-../DHE06LA4	35	8000	-
0.12	4.7	153	1.95	300.1	BS20Z-../DHE06LA4	35	8000	-
0.12	3.9	182	1.75	359.9	BS20Z-../DHE06LA4	35	8000	-
0.12	3.3	210	1.55	430.8	BS20Z-../DHE06LA4	35	8000	-
0.12	2.6	240	1.5	539.7	BS20Z-../DHE06LA4	35	8000	-
0.12	2.3	265	1.25	619.2	BS20Z-../DHE06LA4	35	8000	-
0.12	1.9	325	0.95	763.4	BS20Z-../DHE06LA4	35	8000	-
0.12	1.7	270*	1.0	831.7	BS20G06-../DHE06LA4	38	8000	-
0.12	1.4	270*	1.0	1000	BS20G06-../DHE06LA4	38	8000	-
0.12	1.1	270*	1.0	1311	BS20G06-../DHE06LA4	38	8000	-
0.12	0.9	270*	1.0	1543	BS20G06-../DHE06LA4	38	8000	-
0.12	0.85	270*	1.0	1683	BS20G06-../DHE06LA4	38	8000	-
0.12	0.7	270*	1.0	2014	BS20G06-../DHE06LA4	38	8000	-
0.12	0.6	270*	1.0	2465	BS20G06-../DHE06LA4	38	8000	-
0.12	0.49	270*	1.0	2857	BS20G06-../DHE06LA4	38	8000	-
0.12	0.45	270*	1.0	3117	BS20G06-../DHE06LA4	38	8000	-
0.12	0.39	270*	1.0	3570	BS20G06-../DHE06LA4	38	8000	-
0.12	0.34	270*	1.0	4096	BS20G06-../DHE06LA4	38	8000	-
0.12	0.29	270*	1.0	4910	BS20G06-../DHE06LA4	38	8000	-
0.12	0.24	270*	1.0	5880	BS20G06-../DHE06LA4	38	8000	-
0.12	0.19	275*	1.0	7363	BS20G06-../DHE06LA4	38	8000	-
0.12	0.18	275*	1.0	8031	BS20G06-../DHE06LA4	38	8000	-
0.12	0.16	280*	1.0	9220	BS20G06-../DHE06LA4	38	8000	-
0.12	3.9	215	1.85	359.6	BS30Z-../DHE06LA4	54	10000	-
0.12	3.6	205	2.9	390.2	BS30Z-../DHE06LA4	54	10000	-
0.12	3.1	235	2.6	457.3	BS30Z-../DHE06LA4	54	10000	-
0.12	2.6	280	2.1	539.3	BS30Z-../DHE06LA4	54	10000	-
0.12	2.2	310	1.85	651.0	BS30Z-../DHE06LA4	54	10000	-
0.12	1.8	365	1.3	804.1	BS30Z-../DHE06LA4	54	10000	-
0.12	1.5	435	1.05	932.0	BS30Z-../DHE06LA4	54	10000	-
0.12	1.4	560	0.88	1022	BS30G06-../DHE06LA4	56	10000	-
0.12	1.2	490*	1.0	1176	BS30G06-../DHE06LA4	56	10000	-
0.12	0.95	490*	1.0	1461	BS30G06-../DHE06LA4	56	10000	-
0.12	0.9	490*	1.0	1576	BS30G06-../DHE06LA4	56	10000	-
0.12	0.75	490*	1.0	1886	BS30G06-../DHE06LA4	56	10000	-
0.12	0.65	490*	1.0	2308	BS30G06-../DHE06LA4	56	10000	-
0.12	0.6	490*	1.0	2518	BS30G06-../DHE06LA4	56	10000	-
0.12	0.48	490*	1.0	2919	BS30G06-../DHE06LA4	56	10000	-
0.12	0.42	490*	1.0	3344	BS30G06-../DHE06LA4	56	10000	-
0.12	0.38	490*	1.0	3647	BS30G06-../DHE06LA4	56	10000	-
0.12	0.34	490*	1.0	4184	BS30G06-../DHE06LA4	56	10000	-
0.12	0.29	510*	1.0	4905	BS30G06-../DHE06LA4	56	10000	-
0.12	0.24	520*	1.0	5783	BS30G06-../DHE06LA4	56	10000	-
0.12	0.22	520*	1.0	6308	BS30G06-../DHE06LA4	56	10000	-
0.12	0.2	520*	1.0	7179	BS30G06-../DHE06LA4	56	10000	-
0.12	0.17	520*	1.0	8362	BS30G06-../DHE06LA4	56	10000	-
0.12	2.3	300	3.0	612.1	BS40Z-../DHE06LA4	68	15000	-
0.12	1.9	360	2.1	736.5	BS40Z-../DHE06LA4	68	15000	-
0.12	1.6	420	1.75	908.2	BS40Z-../DHE06LA4	68	15000	-
0.12	1.5	530	1.65	965.5	BS40G10-../DHE06LA4	73	15000	-
0.12	1.2	660	1.35	1180	BS40G10-../DHE06LA4	73	15000	-
0.12	0.95	840	1.05	1499	BS40G10-../DHE06LA4	73	15000	-
0.12	0.8	880*	1.0	1785	BS40G10-../DHE06LA4	73	15000	-
0.12	0.7	880*	1.0	2126	BS40G10-../DHE06LA4	73	15000	-
0.12	0.65	880*	1.0	2304	BS40G10-../DHE06LA4	73	15000	-
0.12	0.55	880*	1.0	2552	BS40G10-../DHE06LA4	73	15000	-
0.12	0.48	880*	1.0	2902	BS40G10-../DHE06LA4	73	15000	-
0.12	0.44	880*	1.0	3215	BS40G10-../DHE06LA4	73	15000	-
0.12	0.37	880*	1.0	3769	BS40G10-../DHE06LA4	73	15000	-
0.12	0.33	880*	1.0	4201	BS40G10-../DHE06LA4	73	15000	-

The torques marked (*) are maximum permissible torques for service factor f_B=1.0.

BS-series worm-geared motors

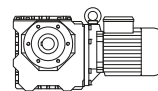
Selection - worm-geared motors

0.12 kW



P _N [kW]	n ₂ [1/min]	50 Hz		i [:1]	Type	m [kg]	[N]	[N]
		M ₂ [Nm]	f _B [—]					
0.12	0.3	880*	1.0	4655	BS40G10-../DHE06LA4	73	15000	-
0.12	0.26	900*	1.0	5498	BS40G10-../DHE06LA4	73	15000	-
0.12	0.23	950*	1.0	6214	BS40G10-../DHE06LA4	73	15000	-
0.12	0.21	950*	1.0	6885	BS40G10-../DHE06LA4	73	15000	-
0.12	0.18	950*	1.0	7905	BS40G10-../DHE06LA4	73	15000	-

0.18 kW



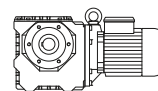
P _N [kW]	n ₂ [1/min]	50 Hz		i [:1]	Type	m [kg]	[N]	[N]
		M ₂ [Nm]	f _B [—]					
0.18	300	5.0	3.0	4.60	BS02-../DHE05LA4	5.3	1000	-
0.18	255	5.9	3.4	5.40	BS02-../DHE05LA4	5.3	1000	-
0.18	205	7.2	3.5	6.75	BS02-../DHE05LA4	5.3	1000	-
0.18	167	8.6	2.9	8.25	BS02-../DHE05LA4	5.3	1100	-
0.18	129	10.9	2.3	10.67	BS02-../DHE05LA4	5.3	1250	-
0.18	102	13.1	1.9	13.50	BS02-../DHE05LA4	5.3	1250	-
0.18	77	16.5	1.5	18.00	BS02-../DHE05LA4	5.3	1250	-
0.18	63	19.1	1.3	22.00	BS02-../DHE05LA4	5.3	1250	-
0.18	51	21	1.2	27.00	BS02-../DHE05LA4	5.3	1250	-
0.18	42	24.5	1.0	33.00	BS02-../DHE05LA4	5.3	1250	-
0.18	73	17.8	3.1	19.00	BS03-../DHE05LA4	5.4	1950	-
0.18	55	21.5	2.6	25.00	BS03-../DHE05LA4	5.4	1950	-
0.18	42	24.5	2.2	33.00	BS03-../DHE05LA4	5.4	1950	-
0.18	35.5	30.5	1.8	39.00	BS03-../DHE05LA4	5.4	1950	-
0.18	27.5	36	1.55	50.00	BS03-../DHE05LA4	5.4	1950	-
0.18	22.5	40	1.2	62.00	BS03-../DHE05LA4	5.4	1950	-
0.18	18.5	47	0.85	75.00	BS03-../DHE05LA4	5.4	1950	-
0.18	129	10.3	3.1	10.73	BS04-../DHE05LA4	5.8	1600	-
0.18	106	12.4	2.7	13.09	BS04-../DHE05LA4	5.8	1760	-
0.18	85	15.5	2.3	16.31	BS04-../DHE05LA4	5.8	1970	-
0.18	77	15.8	2.2	18.00	BS04-../DHE05LA4	5.8	1950	-
0.18	66	19.7	1.9	20.96	BS04-../DHE05LA4	5.8	2100	-
0.18	57	22.5	1.5	24.25	BS04-../DHE05LA4	5.8	2250	-
0.18	53	23	1.65	26.21	BS04-../DHE05LA4	5.8	2250	-
0.18	44	27	1.4	31.50	BS04-../DHE05LA4	5.8	2250	-
0.18	36	32.5	1.15	38.42	BS04-../DHE05LA4	5.8	2250	-
0.18	29	40	0.95	47.86	BS04-../DHE05LA4	5.8	2250	-
0.18	57	24	3.2	24.25	BS06-../DHE05LA4	10	2600	-
0.18	53	23.5	3.3	26.21	BS06-../DHE05LA4	10	3000	-
0.18	44	28.5	2.8	31.50	BS06-../DHE05LA4	10	3200	-
0.18	33.5	36.5	2.4	41.29	BS06-../DHE05LA4	10	3500	-
0.18	28.5	43	2.0	48.60	BS06-../DHE05LA4	10	3500	-
0.18	24	50	1.8	58.15	BS06-../DHE05LA4	10	3500	-
0.18	21.5	54	1.5	64.06	BS06-../DHE05LA4	10	3500	-
0.18	19.5	62	1.5	71.18	BS06-../DHE05LA4	10	3500	-
0.18	18	63	1.35	77.00	BS06-../DHE05LA4	10	3500	-
0.18	15.5	77	1.25	90.00	BS06-../DHE05LA4	10	3500	-
0.18	13.5	87	1.15	103.1	BS06-../DHE05LA4	10	3500	-
0.18	12	93	1.0	118.8	BS06-../DHE05LA4	10	3500	-
0.18	11	104	1.0	129.0	BS06-../DHE05LA4	10	3500	-
0.18	9.4	118	0.9	146.8	BS06-../DHE05LA4	10	3500	-
0.18	29	44	3.3	47.59	BS10-../DHE06LA4	23	4050	-
0.18	24	53	2.8	57.12	BS10-../DHE06LA4	23	4350	-
0.18	23	50	3.0	60.74	BS10-../DHE06LA4	23	4550	-
0.18	19.5	65	2.5	71.96	BS10-../DHE06LA4	23	5000	-
0.18	16.5	77	1.95	84.36	BS10-../DHE06LA4	23	5300	-
0.18	13.5	81	2.0	103.4	BS10-../DHE06LA4	23	5600	-
0.18	11.5	110	1.1	119.6	BS10-../DHE06LA4	23	6000	-
0.18	11	100	1.65	130.3	BS10-../DHE06LA4	23	6000	-
0.18	9.0	122	1.35	152.7	BS10-../DHE06LA4	23	6000	-
0.18	7.3	150	1.15	188.6	BS10-../DHE06LA4	23	6000	-

The torques marked (*) are maximum permissible torques for service factor f_B=1.0.

BS-series worm-geared motors

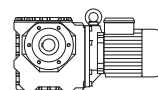
Selection - worm-geared motors

0.18 kW



P _N [kW]	50 Hz			i [:1]	Type	m		
	n ₂ [1/min]	M ₂ [Nm]	f _B [—]			[kg]	[N]	[N]
0.18	6.4	171	1.05	216.6	BS10-../DHE06LA4	23	6000	-
0.18	5.4	200	0.9	254.0	BS10Z-../DHE06LA4	24	6000	-
0.18	4.6	230	0.83	302.5	BS10Z-../DHE06LA4	24	6000	-
0.18	14	90	2.8	101.1	BS20-../DHE06LA4	34	7100	-
0.18	13	87	3.1	106.3	BS20-../DHE06LA4	34	7600	-
0.18	11	103	2.6	127.3	BS20-../DHE06LA4	34	8000	-
0.18	8.6	131	2.1	159.4	BS20-../DHE06LA4	34	8000	-
0.18	7.5	151	1.85	183.0	BS20-../DHE06LA4	34	8000	-
0.18	6.1	180	1.6	225.6	BS20-../DHE06LA4	34	8000	-
0.18	5.4	200	1.5	257.8	BS20Z-../DHE06LA4	35	8000	-
0.18	4.6	235	1.3	300.1	BS20Z-../DHE06LA4	35	8000	-
0.18	3.9	270	1.2	359.9	BS20Z-../DHE06LA4	35	8000	-
0.18	3.2	325	1.0	430.8	BS20Z-../DHE06LA4	35	8000	-
0.18	2.6	360	1.0	539.7	BS20Z-../DHE06LA4	35	8000	-
0.18	2.3	400	0.83	619.2	BS20Z-../DHE06LA4	35	8000	-
0.18	6.4	177	2.9	216.4	BS30-../DHE06LA4	51	10000	-
0.18	5.3	210	2.7	261.6	BS30Z-../DHE06LA4	54	10000	-
0.18	4.5	245	2.4	306.6	BS30Z-../DHE06LA4	54	10000	-
0.18	3.9	325	1.2	359.6	BS30Z-../DHE06LA4	54	10000	-
0.18	3.6	310	1.9	390.2	BS30Z-../DHE06LA4	54	10000	-
0.18	3.0	365	1.65	457.3	BS30Z-../DHE06LA4	54	10000	-
0.18	2.6	420	1.45	539.3	BS30Z-../DHE06LA4	54	10000	-
0.18	2.2	465	1.25	651.0	BS30Z-../DHE06LA4	54	10000	-
0.18	1.8	550	0.87	804.1	BS30Z-../DHE06LA4	54	10000	-
0.18	4.8	265	2.7	287.7	BS40Z-../DHE06LA4	68	15000	-
0.18	3.1	345	2.9	446.8	BS40Z-../DHE06LA4	68	15000	-
0.18	2.7	400	2.8	520.8	BS40Z-../DHE06LA4	68	15000	-
0.18	2.3	455	2.0	612.1	BS40Z-../DHE06LA4	68	15000	-
0.18	1.9	540	1.4	736.5	BS40Z-../DHE06LA4	68	15000	-
0.18	1.6	630	1.2	908.2	BS40Z-../DHE06LA4	68	15000	-
0.18	1.5	800	1.1	965.5	BS40G10-../DHE06LA4	73	15000	-
0.18	1.2	1000	0.88	1180	BS40G10-../DHE06LA4	73	15000	-

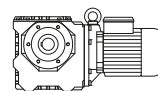
0.25 kW



P _N [kW]	50 Hz			i [:1]	Type	m		
	n ₂ [1/min]	M ₂ [Nm]	f _B [—]			[kg]	[N]	[N]
0.25	300	7.0	2.1	4.60	BS02-../DHE07LA4	9.3	1000	-
0.25	255	8.2	2.4	5.40	BS02-../DHE07LA4	9.3	1000	-
0.25	205	10	2.5	6.75	BS02-../DHE07LA4	9.3	1000	-
0.25	167	12	2.1	8.25	BS02-../DHE07LA4	9.3	1100	-
0.25	129	15.1	1.65	10.67	BS02-../DHE07LA4	9.3	1250	-
0.25	102	18.2	1.35	13.50	BS02-../DHE07LA4	9.3	1250	-
0.25	77	22.5	1.1	18.00	BS02-../DHE07LA4	9.3	1250	-
0.25	63	26.5	0.94	22.00	BS02-../DHE07LA4	9.3	1250	-
0.25	51	29	0.86	27.00	BS02-../DHE07LA4	9.3	1250	-
0.25	102	18.2	3.0	13.50	BS03-../DHE07LA4	9.4	1600	-
0.25	73	24.5	2.2	19.00	BS03-../DHE07LA4	9.4	1950	-
0.25	55	29.5	1.85	25.00	BS03-../DHE07LA4	9.4	1950	-
0.25	42	34.5	1.6	33.00	BS03-../DHE07LA4	9.4	1950	-
0.25	35.5	43	1.3	39.00	BS03-../DHE07LA4	9.4	1950	-
0.25	27.5	50	1.1	50.00	BS03-../DHE07LA4	9.4	1950	-
0.25	22.5	56	0.86	62.00	BS03-../DHE07LA4	9.4	1950	-
0.25	225	8.2	3.2	6.13	BS04-../DHE07LA4	9.8	1300	-
0.25	154	12	2.5	8.93	BS04-../DHE07LA4	9.8	1500	-
0.25	129	14.4	2.2	10.73	BS04-../DHE07LA4	9.8	1600	-
0.25	106	17.3	1.9	13.09	BS04-../DHE07LA4	9.8	1760	-
0.25	85	21.5	1.65	16.31	BS04-../DHE07LA4	9.8	1970	-
0.25	77	22	1.55	18.00	BS04-../DHE07LA4	9.8	1950	-
0.25	66	27	1.35	20.96	BS04-../DHE07LA4	9.8	2100	-

The torques marked (*) are maximum permissible torques for service factor f_B=1.0.

0.25 kW



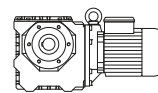
P _N [kW]	n ₂ [1/min]	50 Hz		i [:1]	Type	m [kg]	[N]	[N]
		M ₂ [Nm]	f _B [-]					
0.25	57	31.5	1.1	24.25	BS04-../DHE07LA4	9.8	2250	-
0.25	53	31.5	1.2	26.21	BS04-../DHE07LA4	9.8	2250	-
0.25	44	37.5	1.0	31.50	BS04-../DHE07LA4	9.8	2250	-
0.25	36	45.5	0.81	38.42	BS04-../DHE07LA4	9.8	2250	-
0.25	84	22.5	3.2	16.56	BS06-../DHE07LA4	14	2400	-
0.25	70	27	2.8	19.82	BS06-../DHE07LA4	14	2500	-
0.25	57	33.5	2.3	24.25	BS06-../DHE07LA4	14	2600	-
0.25	53	32.5	2.4	26.21	BS06-../DHE07LA4	14	3000	-
0.25	44	39.5	2.0	31.50	BS06-../DHE07LA4	14	3200	-
0.25	33.5	51	1.7	41.29	BS06-../DHE07LA4	14	3500	-
0.25	28.5	60	1.45	48.60	BS06-../DHE07LA4	14	3500	-
0.25	24	70	1.3	58.15	BS06-../DHE07LA4	14	3500	-
0.25	21.5	75	1.05	64.06	BS06-../DHE07LA4	14	3500	-
0.25	19.5	86	1.1	71.18	BS06-../DHE07LA4	14	3500	-
0.25	18	88	0.97	77.00	BS06-../DHE07LA4	14	3500	-
0.25	15.5	107	0.92	90.00	BS06-../DHE07LA4	14	3500	-
0.25	13.5	122	0.82	103.1	BS06-../DHE07LA4	14	3500	-
0.25	41	44	3.1	33.55	BS10-../DHE07LA4	26	3550	-
0.25	34.5	51	2.7	39.96	BS10-../DHE07LA4	26	3800	-
0.25	29	61	2.4	47.59	BS10-../DHE07LA4	26	4050	-
0.25	24.5	72	2.1	57.12	BS10-../DHE07LA4	26	4350	-
0.25	23	69	2.2	60.74	BS10-../DHE07LA4	26	4550	-
0.25	19.5	90	1.8	71.96	BS10-../DHE07LA4	26	5000	-
0.25	16.5	107	1.4	84.36	BS10-../DHE07LA4	26	5300	-
0.25	13.5	113	1.4	103.4	BS10-../DHE07LA4	26	5600	-
0.25	11	138	1.2	130.3	BS10-../DHE07LA4	26	6000	-
0.25	9.1	167	0.99	152.7	BS10-../DHE07LA4	26	6000	-
0.25	7.3	205	0.83	188.6	BS10-../DHE07LA4	26	6000	-
0.25	18.5	85	3.2	76.18	BS20-../DHE07LA4	36	6600	-
0.25	16	98	2.8	88.67	BS20-../DHE07LA4	36	7000	-
0.25	14	126	2.0	101.1	BS20-../DHE07LA4	36	7100	-
0.25	13	121	2.2	106.3	BS20-../DHE07LA4	36	7600	-
0.25	11	143	1.9	127.3	BS20-../DHE07LA4	36	8000	-
0.25	8.7	181	1.5	159.4	BS20-../DHE07LA4	36	8000	-
0.25	7.6	205	1.35	183.0	BS20-../DHE07LA4	36	8000	-
0.25	6.1	250	1.15	225.6	BS20-../DHE07LA4	36	8000	-
0.25	5.4	280	1.05	257.8	BS20Z-../DHE07LA4	38	8000	-
0.25	4.6	325	0.92	300.1	BS20Z-../DHE07LA4	38	8000	-
0.25	3.9	375	0.85	359.9	BS20Z-../DHE07LA4	38	8000	-
0.25	9.1	175	3.1	151.1	BS30-../DHE07LA4	54	9500	-
0.25	7.4	210	2.6	186.7	BS30-../DHE07LA4	54	10000	-
0.25	6.4	245	2.1	216.4	BS30-../DHE07LA4	54	10000	-
0.25	5.3	295	1.9	261.6	BS30Z-../DHE07LA4	56	10000	-
0.25	4.5	340	1.7	306.6	BS30Z-../DHE07LA4	56	10000	-
0.25	3.9	450	0.88	359.6	BS30Z-../DHE07LA4	56	10000	-
0.25	3.6	430	1.35	390.2	BS30Z-../DHE07LA4	56	10000	-
0.25	3.1	490	1.2	457.3	BS30Z-../DHE07LA4	56	10000	-
0.25	2.6	580	1.05	539.3	BS30Z-../DHE07LA4	56	10000	-
0.25	2.2	650	0.89	651.0	BS30Z-../DHE07LA4	56	10000	-
0.25	7.0	250	2.8	197.1	BS40Z-../DHE07LA4	70	15000	-
0.25	4.8	365	1.95	287.7	BS40Z-../DHE07LA4	70	15000	-
0.25	4.6	325	3.3	302.1	BS40Z-../DHE07LA4	70	15000	-
0.25	3.9	385	2.8	356.8	BS40Z-../DHE07LA4	70	15000	-
0.25	3.1	485	2.0	446.8	BS40Z-../DHE07LA4	70	15000	-
0.25	2.7	550	2.0	520.8	BS40Z-../DHE07LA4	70	15000	-
0.25	2.3	630	1.45	612.1	BS40Z-../DHE07LA4	70	15000	-
0.25	1.9	750	1.0	736.5	BS40Z-../DHE07LA4	70	15000	-
0.25	1.6	880	0.84	908.2	BS40Z-../DHE07LA4	70	15000	-

The torques marked (*) are maximum permissible torques for service factor f_B=1.0.

BS-series worm-geared motors

Selection - worm-geared motors

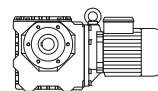
0.3 kW



P _N [kW]	n ₂ [1/min]	50 Hz		i [:1]	Type	m [kg]	[N]	[N]
		M ₂ [Nm]	f _B [-]					
0.3	300	8.4	1.8	4.60	BS02-../DHE07LA4	9.3	1000	-
0.3	255	9.8	2.0	5.40	BS02-../DHE07LA4	9.3	1000	-
0.3	205	12	2.1	6.75	BS02-../DHE07LA4	9.3	1000	-
0.3	165	14.5	1.7	8.25	BS02-../DHE07LA4	9.3	1100	-
0.3	128	18.3	1.35	10.67	BS02-../DHE07LA4	9.3	1250	-
0.3	101	22	1.15	13.50	BS02-../DHE07LA4	9.3	1250	-
0.3	76	27.5	0.91	18.00	BS02-../DHE07LA4	9.3	1250	-
0.3	101	22	2.5	13.50	BS03-../DHE07LA4	9.4	1600	-
0.3	72	30	1.85	19.00	BS03-../DHE07LA4	9.4	1950	-
0.3	55	35.5	1.55	25.00	BS03-../DHE07LA4	9.4	1950	-
0.3	41.5	42	1.3	33.00	BS03-../DHE07LA4	9.4	1950	-
0.3	35	52	1.05	39.00	BS03-../DHE07LA4	9.4	1950	-
0.3	27.5	60	0.92	50.00	BS03-../DHE07LA4	9.4	1950	-
0.3	225	9.9	2.6	6.13	BS04-../DHE07LA4	9.8	1300	-
0.3	153	14.6	2.1	8.93	BS04-../DHE07LA4	9.8	1500	-
0.3	127	17.5	1.85	10.73	BS04-../DHE07LA4	9.8	1600	-
0.3	104	21	1.55	13.09	BS04-../DHE07LA4	9.8	1760	-
0.3	84	26	1.35	16.31	BS04-../DHE07LA4	9.8	1970	-
0.3	76	26.5	1.3	18.00	BS04-../DHE07LA4	9.8	1950	-
0.3	65	33	1.1	20.96	BS04-../DHE07LA4	9.8	2100	-
0.3	57	38	0.89	24.25	BS04-../DHE07LA4	9.8	2250	-
0.3	52	39	0.97	26.21	BS04-../DHE07LA4	9.8	2250	-
0.3	43.5	46	0.83	31.50	BS04-../DHE07LA4	9.8	2250	-
0.3	97	23.5	2.9	14.07	BS06-../DHE07LA4	14	2200	-
0.3	83	27.5	2.6	16.56	BS06-../DHE07LA4	14	2400	-
0.3	69	33	2.3	19.82	BS06-../DHE07LA4	14	2500	-
0.3	57	40	1.95	24.25	BS06-../DHE07LA4	14	2600	-
0.3	52	40	1.95	26.21	BS06-../DHE07LA4	14	3000	-
0.3	43.5	48	1.65	31.50	BS06-../DHE07LA4	14	3200	-
0.3	33	62	1.4	41.29	BS06-../DHE07LA4	14	3500	-
0.3	28	73	1.2	48.60	BS06-../DHE07LA4	14	3500	-
0.3	23.5	86	1.05	58.15	BS06-../DHE07LA4	14	3500	-
0.3	21.5	90	0.89	64.06	BS06-../DHE07LA4	14	3500	-
0.3	19.5	104	0.9	71.18	BS06-../DHE07LA4	14	3500	-
0.3	18	106	0.8	77.00	BS06-../DHE07LA4	14	3500	-
0.3	52	42.5	3.1	26.42	BS10-../DHE07LA4	26	3250	-
0.3	41	53	2.5	33.55	BS10-../DHE07LA4	26	3550	-
0.3	34.5	62	2.3	39.96	BS10-../DHE07LA4	26	3800	-
0.3	29	74	1.95	47.59	BS10-../DHE07LA4	26	4050	-
0.3	24	88	1.7	57.12	BS10-../DHE07LA4	26	4350	-
0.3	22.5	85	1.75	60.74	BS10-../DHE07LA4	26	4550	-
0.3	19	111	1.45	71.96	BS10-../DHE07LA4	26	5000	-
0.3	16.5	128	1.15	84.36	BS10-../DHE07LA4	26	5300	-
0.3	13.5	135	1.2	103.4	BS10-../DHE07LA4	26	5600	-
0.3	10.5	174	0.94	130.3	BS10-../DHE07LA4	26	6000	-
0.3	9.0	200	0.83	152.7	BS10-../DHE07LA4	26	6000	-
0.3	23.5	91	3.1	58.74	BS20-../DHE07LA4	36	5900	-
0.3	19.5	110	2.7	70.30	BS20-../DHE07LA4	36	6300	-
0.3	18	105	2.6	76.18	BS20-../DHE07LA4	36	6600	-
0.3	15.5	121	2.2	88.67	BS20-../DHE07LA4	36	7000	-
0.3	13	145	1.85	106.3	BS20-../DHE07LA4	36	7600	-
0.3	11	171	1.6	127.3	BS20-../DHE07LA4	36	8000	-
0.3	8.6	215	1.3	159.4	BS20-../DHE07LA4	36	8000	-
0.3	7.5	250	1.1	183.0	BS20-../DHE07LA4	36	8000	-
0.3	6.1	300	0.97	225.6	BS20-../DHE07LA4	36	8000	-
0.3	5.3	345	0.86	257.8	BS20Z-../DHE07LA4	38	8000	-
0.3	16.5	133	3.1	83.48	BS30-../DHE07LA4	54	6800	-
0.3	11	177	2.9	125.2	BS30-../DHE07LA4	54	8700	-
0.3	9.1	210	2.6	151.1	BS30-../DHE07LA4	54	9500	-
0.3	7.3	255	2.1	186.7	BS30-../DHE07LA4	54	10000	-
0.3	6.3	300	1.75	216.4	BS30-../DHE07LA4	54	10000	-
0.3	5.2	360	1.55	261.6	BS30Z-../DHE07LA4	56	10000	-
0.3	4.5	410	1.4	306.6	BS30Z-../DHE07LA4	56	10000	-
0.3	3.5	530	1.1	390.2	BS30Z-../DHE07LA4	56	10000	-

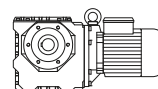
The torques marked (*) are maximum permissible torques for service factor f_B=1.0.

0.3 kW



P _N [kW]	n ₂ [1/min]	50 Hz		i [:1]	Type	m [kg]	[N]	[N]
		M ₂ [Nm]	f _B [-]					
0.3	3.0	610	0.98	457.3	BS30Z-../DHE07LA4	56	10000	-
0.3	2.6	700	0.86	539.3	BS30Z-../DHE07LA4	56	10000	-
0.3	7.0	300	2.3	197.1	BS40Z-../DHE07LA4	70	15000	-
0.3	5.5	325	2.8	249.6	BS40Z-../DHE07LA4	70	15000	-
0.3	4.8	440	1.65	287.7	BS40Z-../DHE07LA4	70	15000	-
0.3	4.6	390	2.7	302.1	BS40Z-../DHE07LA4	70	15000	-
0.3	3.9	460	2.3	356.8	BS40Z-../DHE07LA4	70	15000	-
0.3	3.1	580	1.7	446.8	BS40Z-../DHE07LA4	70	15000	-
0.3	2.7	660	1.65	520.8	BS40Z-../DHE07LA4	70	15000	-
0.3	2.3	750	1.2	612.1	BS40Z-../DHE07LA4	70	15000	-
0.3	1.9	900	0.84	736.5	BS40Z-../DHE07LA4	70	15000	-

0.37 kW



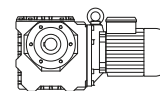
P _N [kW]	n ₂ [1/min]	50 Hz		i [:1]	Type	m [kg]	[N]	[N]
		M ₂ [Nm]	f _B [-]					
0.37	315	9.8	4.1	4.60	BS03-../DHE08MA4	10	1070	-
0.37	240	12.9	3.4	6.00	BS03-../DHE08MA4	10	1170	-
0.37	179	16.9	2.8	8.00	BS03-../DHE08MA4	10	1320	-
0.37	143	20.5	2.5	10.00	BS03-../DHE08MA4	10	1450	-
0.37	106	26	2.1	13.50	BS03-../DHE08MA4	10	1600	-
0.37	76	35	1.55	19.00	BS03-../DHE08MA4	10	1950	-
0.37	58	42	1.3	25.00	BS03-../DHE08MA4	10	1950	-
0.37	43.5	49.5	1.1	33.00	BS03-../DHE08MA4	10	1950	-
0.37	37	61	0.9	39.00	BS03-../DHE08MA4	10	1950	-
0.37	134	21	3.1	10.73	BS06-../DHE08MA4	16	1850	-
0.37	102	28	2.4	14.07	BS06-../DHE08MA4	16	2200	-
0.37	87	32	2.3	16.56	BS06-../DHE08MA4	16	2400	-
0.37	73	38.5	1.95	19.82	BS06-../DHE08MA4	16	2500	-
0.37	59	47.5	1.6	24.25	BS06-../DHE08MA4	16	2600	-
0.37	55	46.5	1.65	26.21	BS06-../DHE08MA4	16	3000	-
0.37	45.5	56	1.45	31.50	BS06-../DHE08MA4	16	3200	-
0.37	35	72	1.2	41.29	BS06-../DHE08MA4	16	3500	-
0.37	29.5	86	1.0	48.60	BS06-../DHE08MA4	16	3500	-
0.37	25	100	0.91	58.15	BS06-../DHE08MA4	16	3500	-
0.37	67	42	3.0	21.61	BS10-../DHE08MA4	27	3000	-
0.37	64	38	3.1	22.60	BS10-../DHE08MA4	27	3200	-
0.37	55	50	2.6	26.42	BS10-../DHE08MA4	27	3250	-
0.37	47	51	2.5	30.63	BS10-../DHE08MA4	27	3550	-
0.37	43	62	2.2	33.55	BS10-../DHE08MA4	27	3550	-
0.37	36	73	1.9	39.96	BS10-../DHE08MA4	27	3800	-
0.37	30.5	86	1.7	47.59	BS10-../DHE08MA4	27	4050	-
0.37	25.5	102	1.45	57.12	BS10-../DHE08MA4	27	4350	-
0.37	24	98	1.55	60.74	BS10-../DHE08MA4	27	4550	-
0.37	20	130	1.25	71.96	BS10-../DHE08MA4	27	5000	-
0.37	17	153	0.98	84.36	BS10-../DHE08MA4	27	5300	-
0.37	14	161	0.99	103.4	BS10-../DHE08MA4	27	5600	-
0.37	11	205	0.8	130.3	BS10-../DHE08MA4	27	6000	-
0.37	29.5	89	3.0	48.98	BS20-../DHE08MA4	37	5500	-
0.37	28.5	83	3.3	50.44	BS20-../DHE08MA4	37	5700	-
0.37	24.5	108	2.6	58.74	BS20-../DHE08MA4	37	5900	-
0.37	20.5	129	2.3	70.30	BS20-../DHE08MA4	37	6300	-
0.37	19	122	2.2	76.18	BS20-../DHE08MA4	37	6600	-
0.37	16.5	141	1.9	88.67	BS20-../DHE08MA4	37	7000	-
0.37	14.5	180	1.4	101.1	BS20-../DHE08MA4	37	7100	-
0.37	13.5	172	1.55	106.3	BS20-../DHE08MA4	37	7600	-
0.37	11.5	200	1.35	127.3	BS20-../DHE08MA4	37	8000	-
0.37	9.0	255	1.1	159.4	BS20-../DHE08MA4	37	8000	-
0.37	7.9	295	0.95	183.0	BS20-../DHE08MA4	37	8000	-
0.37	6.4	350	0.83	225.6	BS20-../DHE08MA4	37	8000	-

The torques marked (*) are maximum permissible torques for service factor f_B=1.0.

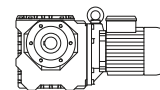
BS-series worm-geared motors

Selection - worm-geared motors

0.37 kW								
P _N	50 Hz			i	Type	m		
	n ₂	M ₂	f _B					
[kW]	[1/min]	[Nm]	[-]	[:1]		[kg]	[N]	[N]
0.37	17.5	155	2.6	83.48	BS30-../DHE08MA4	55	6800	-
0.37	16	152	3.2	90.59	BS30-../DHE08MA4	55	7700	-
0.37	13.5	177	2.9	106.2	BS30-../DHE08MA4	55	8200	-
0.37	11.5	205	2.5	125.2	BS30-../DHE08MA4	55	8700	-
0.37	9.5	245	2.2	151.1	BS30-../DHE08MA4	55	9500	-
0.37	7.7	300	1.8	186.7	BS30-../DHE08MA4	55	10000	-
0.37	6.7	345	1.5	216.4	BS30-../DHE08MA4	55	10000	-
0.37	5.5	420	1.35	261.6	BS30Z-../DHE08MA4	58	10000	-
0.37	4.7	485	1.2	306.6	BS30Z-../DHE08MA4	58	10000	-
0.37	3.7	620	0.95	390.2	BS30Z-../DHE08MA4	58	10000	-
0.37	3.2	700	0.86	457.3	BS30Z-../DHE08MA4	58	10000	-
0.37	8.1	280	2.9	178.2	BS40-../DHE08MA4	68	15000	-
0.37	6.6	335	2.4	219.7	BS40-../DHE08MA4	68	15000	-
0.37	5.8	380	2.4	249.6	BS40Z-../DHE08MA4	71	15000	-
0.37	5.0	520	1.4	287.7	BS40Z-../DHE08MA4	71	15000	-
0.37	4.8	460	2.3	302.1	BS40Z-../DHE08MA4	71	15000	-
0.37	4.1	540	2.0	356.8	BS40Z-../DHE08MA4	71	15000	-
0.37	3.3	670	1.5	446.8	BS40Z-../DHE08MA4	71	15000	-
0.37	2.8	790	1.4	520.8	BS40Z-../DHE08MA4	71	15000	-
0.37	2.4	890	1.0	612.1	BS40Z-../DHE08MA4	71	15000	-

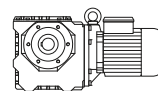


0.55 kW								
P _N	50 Hz			i	Type	m		
	n ₂	M ₂	f _B					
[kW]	[1/min]	[Nm]	[-]	[:1]		[kg]	[N]	[N]
0.55	310	14.9	2.7	4.60	BS03-../DHE08LA4	12	1070	-
0.55	240	19.2	2.3	6.00	BS03-../DHE08LA4	12	1170	-
0.55	177	25.5	1.9	8.00	BS03-../DHE08LA4	12	1320	-
0.55	142	31	1.7	10.00	BS03-../DHE08LA4	12	1450	-
0.55	105	39	1.4	13.50	BS03-../DHE08LA4	12	1600	-
0.55	75	53	1.05	19.00	BS03-../DHE08LA4	12	1950	-
0.55	57	63	0.87	25.00	BS03-../DHE08LA4	12	1950	-
0.55	215	19.7	2.8	6.67	BS06-../DHE08LA4	17	1550	-
0.55	159	26.5	2.3	8.93	BS06-../DHE08LA4	17	1710	-
0.55	132	32	2.0	10.73	BS06-../DHE08LA4	17	1850	-
0.55	101	42	1.6	14.07	BS06-../DHE08LA4	17	2200	-
0.55	86	48.5	1.5	16.56	BS06-../DHE08LA4	17	2400	-
0.55	72	58	1.3	19.82	BS06-../DHE08LA4	17	2500	-
0.55	59	71	1.1	24.25	BS06-../DHE08LA4	17	2600	-
0.55	54	71	1.1	26.21	BS06-../DHE08LA4	17	3000	-
0.55	45	85	0.94	31.50	BS06-../DHE08LA4	17	3200	-
0.55	114	36.5	3.0	12.49	BS10-../DHE08LA4	28	2400	-
0.55	84	50	2.4	16.92	BS10-../DHE08LA4	28	2700	-
0.55	66	63	2.0	21.61	BS10-../DHE08LA4	28	3000	-
0.55	63	57	2.1	22.60	BS10-../DHE08LA4	28	3200	-
0.55	54	75	1.75	26.42	BS10-../DHE08LA4	28	3250	-
0.55	46.5	77	1.7	30.63	BS10-../DHE08LA4	28	3550	-
0.55	42.5	93	1.45	33.55	BS10-../DHE08LA4	28	3550	-
0.55	35.5	110	1.25	39.96	BS10-../DHE08LA4	28	3800	-
0.55	30	131	1.1	47.59	BS10-../DHE08LA4	28	4050	-
0.55	25	155	0.97	57.12	BS10-../DHE08LA4	28	4350	-
0.55	23.5	149	1.0	60.74	BS10-../DHE08LA4	28	4550	-
0.55	20	194	0.82	71.96	BS10-../DHE08LA4	28	5000	-
0.55	51	80	3.1	27.86	BS20-../DHE08LA4	39	4450	-
0.55	46.5	81	3.1	30.63	BS20-../DHE08LA4	39	4750	-
0.55	43.5	92	2.9	32.87	BS20-../DHE08LA4	39	4750	-
0.55	35.5	106	2.5	40.25	BS20-../DHE08LA4	39	5300	-
0.55	34	117	2.3	42.08	BS20-../DHE08LA4	39	5200	-
0.55	28.5	123	2.2	50.44	BS20-../DHE08LA4	39	5700	-
0.55	24.5	160	1.75	58.74	BS20-../DHE08LA4	39	5900	-
0.55	20.5	192	1.55	70.30	BS20-../DHE08LA4	39	6300	-



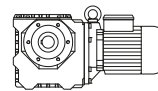
The torques marked (*) are maximum permissible torques for service factor f_B=1.0.

0.55 kW



P _N [kW]	50 Hz			i [:1]	Type	m [kg]	[N]	[N]
	n ₂ [1/min]	M ₂ [Nm]	f _B [-]					
0.55	19	182	1.5	76.18	BS20-../DHE08LA4	39	6600	-
0.55	16	215	1.25	88.67	BS20-../DHE08LA4	39	7000	-
0.55	13.5	255	1.05	106.3	BS20-../DHE08LA4	39	7600	-
0.55	11.5	300	0.9	127.3	BS20-../DHE08LA4	39	8000	-
0.55	28.5	141	3.2	50.04	BS30-../DHE08LA4	56	5900	-
0.55	24.5	165	2.8	58.64	BS30-../DHE08LA4	56	6900	-
0.55	20	183	2.6	71.17	BS30-../DHE08LA4	56	7000	-
0.55	17	235	1.75	83.48	BS30-../DHE08LA4	56	6800	-
0.55	16	225	2.2	90.59	BS30-../DHE08LA4	56	7700	-
0.55	13.5	260	1.95	106.2	BS30-../DHE08LA4	56	8200	-
0.55	11.5	310	1.7	125.2	BS30-../DHE08LA4	56	8700	-
0.55	9.4	370	1.45	151.1	BS30-../DHE08LA4	56	9500	-
0.55	7.6	455	1.2	186.7	BS30-../DHE08LA4	56	10000	-
0.55	6.6	520	1.0	216.4	BS30-../DHE08LA4	56	10000	-
0.55	5.5	630	0.89	261.6	BS30Z-../DHE08LA4	59	10000	-
0.55	4.7	720	0.81	306.6	BS30Z-../DHE08LA4	59	10000	-
0.55	11.5	305	3.2	126.0	BS40-../DHE08LA4	69	14900	-
0.55	9.6	355	2.7	148.1	BS40-../DHE08LA4	69	15000	-
0.55	8.0	425	1.95	178.2	BS40-../DHE08LA4	69	15000	-
0.55	6.5	500	1.6	219.7	BS40-../DHE08LA4	69	15000	-
0.55	5.7	580	1.55	249.6	BS40Z-../DHE08LA4	73	15000	-
0.55	5.0	770	0.93	287.7	BS40Z-../DHE08LA4	73	15000	-
0.55	4.7	700	1.55	302.1	BS40Z-../DHE08LA4	73	15000	-
0.55	4.0	820	1.3	356.8	BS40Z-../DHE08LA4	73	15000	-
0.55	3.2	1030	0.96	446.8	BS40Z-../DHE08LA4	73	15000	-
0.55	2.8	1180	0.93	520.8	BS40Z-../DHE08LA4	73	15000	-

0.75 kW



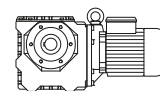
P _N [kW]	50 Hz			i [:1]	Type	m [kg]	[N]	[N]
	n ₂ [1/min]	M ₂ [Nm]	f _B [-]					
0.75	310	20	2.0	4.60	BS03-../DPE08XB4	13	1070	-
0.75	240	26	1.7	6.00	BS03-../DPE08XB4	13	1170	-
0.75	179	34	1.4	8.00	BS03-../DPE08XB4	13	1320	-
0.75	143	42	1.25	10.00	BS03-../DPE08XB4	13	1450	-
0.75	106	52	1.05	13.50	BS03-../DPE08XB4	13	1600	-
0.75	215	26.5	2.1	6.67	BS06-../DPE08XB4	19	1550	-
0.75	160	36	1.7	8.93	BS06-../DPE08XB4	19	1710	-
0.75	133	43.5	1.5	10.73	BS06-../DPE08XB4	19	1850	-
0.75	102	56	1.2	14.07	BS06-../DPE08XB4	19	2200	-
0.75	87	65	1.1	16.56	BS06-../DPE08XB4	19	2400	-
0.75	72	79	0.95	19.82	BS06-../DPE08XB4	19	2500	-
0.75	55	95	0.81	26.21	BS06-../DPE08XB4	19	3000	-
0.75	115	49.5	2.2	12.49	BS10-../DPE08XB4	30	2400	-
0.75	85	67	1.8	16.92	BS10-../DPE08XB4	30	2700	-
0.75	66	86	1.45	21.61	BS10-../DPE08XB4	30	3000	-
0.75	64	77	1.5	22.60	BS10-../DPE08XB4	30	3200	-
0.75	54	103	1.25	26.42	BS10-../DPE08XB4	30	3250	-
0.75	47	105	1.25	30.63	BS10-../DPE08XB4	30	3550	-
0.75	42.5	128	1.05	33.55	BS10-../DPE08XB4	30	3550	-
0.75	36	149	0.94	39.96	BS10-../DPE08XB4	30	3800	-
0.75	30	179	0.81	47.59	BS10-../DPE08XB4	30	4050	-
0.75	85	68	3.2	16.92	BS20-../DPE08XB4	40	3700	-
0.75	65	89	2.6	22.23	BS20-../DPE08XB4	40	4100	-
0.75	62	83	2.7	23.13	BS20-../DPE08XB4	40	4300	-
0.75	52	107	2.3	27.86	BS20-../DPE08XB4	40	4450	-
0.75	47	109	2.3	30.63	BS20-../DPE08XB4	40	4750	-
0.75	43.5	126	2.1	32.87	BS20-../DPE08XB4	40	4750	-
0.75	35.5	145	1.8	40.25	BS20-../DPE08XB4	40	5300	-
0.75	34	160	1.7	42.08	BS20-../DPE08XB4	40	5200	-

The torques marked (*) are maximum permissible torques for service factor f_B=1.0.

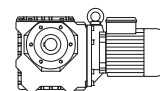
BS-series worm-geared motors

Selection - worm-geared motors

0.75 kW								
P _N [kW]	n ₂ [1/min]	50 Hz		i [:1]	Type	m [kg]	[N]	[N]
		M ₂ [Nm]	f _B [-]					
0.75	29.5	182	1.5	48.98	BS20-../DPE08XB4	40	5500	-
0.75	28.5	168	1.6	50.44	BS20-../DPE08XB4	40	5700	-
0.75	24.5	215	1.3	58.74	BS20-../DPE08XB4	40	5900	-
0.75	20.5	260	1.15	70.30	BS20-../DPE08XB4	40	6300	-
0.75	19	245	1.1	76.18	BS20-../DPE08XB4	40	6600	-
0.75	16.5	285	0.95	88.67	BS20-../DPE08XB4	40	7000	-
0.75	42.5	138	3.0	33.55	BS30-../DPE08XB4	58	5200	-
0.75	38	141	3.0	37.92	BS30-../DPE08XB4	58	5500	-
0.75	36.5	158	2.7	39.31	BS30-../DPE08XB4	58	5500	-
0.75	28.5	193	2.3	50.04	BS30-../DPE08XB4	58	5900	-
0.75	24.5	225	2.0	58.64	BS30-../DPE08XB4	58	6900	-
0.75	20.5	240	2.0	71.17	BS30-../DPE08XB4	58	7000	-
0.75	17.5	315	1.3	83.48	BS30-../DPE08XB4	58	6800	-
0.75	16	305	1.6	90.59	BS30-../DPE08XB4	58	7700	-
0.75	13.5	360	1.4	106.2	BS30-../DPE08XB4	58	8200	-
0.75	11.5	420	1.25	125.2	BS30-../DPE08XB4	58	8700	-
0.75	9.5	500	1.1	151.1	BS30-../DPE08XB4	58	9500	-
0.75	7.7	610	0.89	186.7	BS30-../DPE08XB4	58	10000	-
0.75	20.5	265	2.8	69.60	BS40-../DPE08XB4	71	11800	-
0.75	17	290	3.1	86.33	BS40-../DPE08XB4	71	12900	-
0.75	13.5	355	2.7	108.1	BS40-../DPE08XB4	71	14000	-
0.75	11.5	415	2.4	126.0	BS40-../DPE08XB4	71	14900	-
0.75	9.7	475	2.0	148.1	BS40-../DPE08XB4	71	15000	-
0.75	8.0	580	1.4	178.2	BS40-../DPE08XB4	71	15000	-
0.75	6.5	690	1.15	219.7	BS40-../DPE08XB4	71	15000	-
0.75	5.8	770	1.15	249.6	BS40Z-../DPE08XB4	74	15000	-
0.75	4.8	940	1.15	302.1	BS40Z-../DPE08XB4	74	15000	-
0.75	4.0	1120	0.96	356.8	BS40Z-../DPE08XB4	74	15000	-

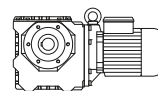


1.1 kW								
P _N [kW]	n ₂ [1/min]	50 Hz		i [:1]	Type	m [kg]	[N]	[N]
		M ₂ [Nm]	f _B [-]					
1.1	116	72	1.5	12.49	BS10-../DPE09XA4	40	2400	-
1.1	86	97	1.25	16.92	BS10-../DPE09XA4	40	2700	-
1.1	67	125	1.0	21.61	BS10-../DPE09XA4	40	3000	-
1.1	64	113	1.05	22.60	BS10-../DPE09XA4	40	3200	-
1.1	55	148	0.88	26.42	BS10-../DPE09XA4	40	3250	-
1.1	47.5	152	0.86	30.63	BS10-../DPE09XA4	40	3550	-
1.1	113	75	2.7	12.77	BS20-../DPE09XA4	50	3350	-
1.1	86	98	2.2	16.92	BS20-../DPE09XA4	50	3700	-
1.1	65	130	1.75	22.23	BS20-../DPE09XA4	50	4100	-
1.1	63	120	1.9	23.13	BS20-../DPE09XA4	50	4300	-
1.1	52	157	1.6	27.86	BS20-../DPE09XA4	50	4450	-
1.1	47.5	159	1.55	30.63	BS20-../DPE09XA4	50	4750	-
1.1	44	183	1.5	32.87	BS20-../DPE09XA4	50	4750	-
1.1	36	210	1.25	40.25	BS20-../DPE09XA4	50	5300	-
1.1	34.5	230	1.15	42.08	BS20-../DPE09XA4	50	5200	-
1.1	29	240	1.15	50.44	BS20-../DPE09XA4	50	5700	-
1.1	25	315	0.89	58.74	BS20-../DPE09XA4	50	5900	-
1.1	69	126	3.0	20.94	BS30-../DPE09XA4	68	4300	-
1.1	60	131	2.8	24.06	BS30-../DPE09XA4	68	4600	-
1.1	54	161	2.5	27.07	BS30-../DPE09XA4	68	4750	-
1.1	47.5	165	2.4	30.63	BS30-../DPE09XA4	68	5000	-
1.1	43	200	2.1	33.55	BS30-../DPE09XA4	68	5200	-
1.1	38	205	2.0	37.92	BS30-../DPE09XA4	68	5500	-
1.1	37	225	1.9	39.31	BS30-../DPE09XA4	68	5500	-
1.1	29	275	1.65	50.04	BS30-../DPE09XA4	68	5900	-
1.1	25	320	1.45	58.64	BS30-../DPE09XA4	68	6900	-
1.1	20.5	355	1.35	71.17	BS30-../DPE09XA4	68	7000	-
1.1	17.5	460	0.89	83.48	BS30-../DPE09XA4	68	6800	-



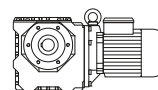
The torques marked (*) are maximum permissible torques for service factor f_B=1.0.

1.1 kW



P _N [kW]	50 Hz			i [:1]	Type	m		
	n ₂ [1/min]	M ₂ [Nm]	f _B [—]			[kg]	[N]	[N]
1.1	16	450	1.1	90.59	BS30-../DPE09XA4	68	7700	-
1.1	14	510	1.0	106.2	BS30-../DPE09XA4	68	8200	-
1.1	12	590	0.88	125.2	BS30-../DPE09XA4	68	8700	-
1.1	30.5	265	3.1	47.69	BS40-../DPE09XA4	81	9600	-
1.1	24	310	2.8	60.38	BS40-../DPE09XA4	81	11200	-
1.1	21	385	1.95	69.60	BS40-../DPE09XA4	81	11800	-
1.1	20	365	2.4	73.09	BS40-../DPE09XA4	81	12100	-
1.1	17	425	2.1	86.33	BS40-../DPE09XA4	81	12900	-
1.1	13.5	520	1.85	108.1	BS40-../DPE09XA4	81	14000	-
1.1	11.5	610	1.6	126.0	BS40-../DPE09XA4	81	14900	-
1.1	9.8	690	1.4	148.1	BS40-../DPE09XA4	81	15000	-
1.1	8.1	840	0.98	178.2	BS40-../DPE09XA4	81	15000	-

1.5 kW



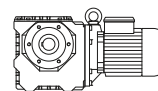
P _N [kW]	50 Hz			i [:1]	Type	m		
	n ₂ [1/min]	M ₂ [Nm]	f _B [—]			[kg]	[N]	[N]
1.5	115	99	1.1	12.49	BS10-../DPE09XB4	40	2400	-
1.5	85	134	0.9	16.92	BS10-../DPE09XB4	40	2700	-
1.5	113	102	1.95	12.77	BS20-../DPE09XB4	50	3350	-
1.5	85	136	1.6	16.92	BS20-../DPE09XB4	50	3700	-
1.5	65	178	1.3	22.23	BS20-../DPE09XB4	50	4100	-
1.5	63	163	1.4	23.13	BS20-../DPE09XB4	50	4300	-
1.5	52	210	1.2	27.86	BS20-../DPE09XB4	50	4450	-
1.5	47	215	1.15	30.63	BS20-../DPE09XB4	50	4750	-
1.5	44	250	1.1	32.87	BS20-../DPE09XB4	50	4750	-
1.5	36	285	0.91	40.25	BS20-../DPE09XB4	50	5300	-
1.5	34.5	315	0.86	42.08	BS20-../DPE09XB4	50	5200	-
1.5	28.5	335	0.81	50.44	BS20-../DPE09XB4	50	5700	-
1.5	108	110	3.0	13.29	BS30-../DPE09XB4	68	3600	-
1.5	85	139	2.6	16.92	BS30-../DPE09XB4	68	3950	-
1.5	69	172	2.2	20.94	BS30-../DPE09XB4	68	4300	-
1.5	60	179	2.1	24.06	BS30-../DPE09XB4	68	4600	-
1.5	54	220	1.8	27.07	BS30-../DPE09XB4	68	4750	-
1.5	47	225	1.8	30.63	BS30-../DPE09XB4	68	5000	-
1.5	43	270	1.55	33.55	BS30-../DPE09XB4	68	5200	-
1.5	38	280	1.5	37.92	BS30-../DPE09XB4	68	5500	-
1.5	37	310	1.4	39.31	BS30-../DPE09XB4	68	5500	-
1.5	29	380	1.2	50.04	BS30-../DPE09XB4	68	5900	-
1.5	24.5	450	1.0	58.64	BS30-../DPE09XB4	68	6900	-
1.5	20.5	485	0.99	71.17	BS30-../DPE09XB4	68	7000	-
1.5	16	610	0.8	90.59	BS30-../DPE09XB4	68	7700	-
1.5	47	225	3.3	30.63	BS40-../DPE09XB4	81	8700	-
1.5	43.5	260	3.0	33.35	BS40-../DPE09XB4	81	8300	-
1.5	38	275	2.8	38.13	BS40-../DPE09XB4	81	9400	-
1.5	36	310	2.6	40.37	BS40-../DPE09XB4	81	9000	-
1.5	30.5	365	2.3	47.69	BS40-../DPE09XB4	81	9600	-
1.5	24	420	2.0	60.38	BS40-../DPE09XB4	81	11200	-
1.5	21	520	1.45	69.60	BS40-../DPE09XB4	81	11800	-
1.5	20	500	1.75	73.09	BS40-../DPE09XB4	81	12100	-
1.5	17	580	1.55	86.33	BS40-../DPE09XB4	81	12900	-
1.5	13.5	710	1.35	108.1	BS40-../DPE09XB4	81	14000	-
1.5	11.5	830	1.2	126.0	BS40-../DPE09XB4	81	14900	-
1.5	9.7	950	1.0	148.1	BS40-../DPE09XB4	81	15000	-

The torques marked (*) are maximum permissible torques for service factor f_B=1.0.

BS-series worm-geared motors

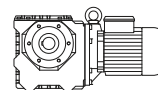
Selection - worm-geared motors

2.2 kW



P _N [kW]	50 Hz			i [:1]	Type	m		
	n ₂ [1/min]	M ₂ [Nm]	f _B [—]			[kg]	[N]	[N]
2.2	114	149	1.35	12.77	BS20-../DPE09XB4C	50	3350	-
2.2	86	197	1.1	16.92	BS20-../DPE09XB4C	50	3700	-
2.2	66	255	0.9	22.23	BS20-../DPE09XB4C	50	4100	-
2.2	63	240	0.95	23.13	BS20-../DPE09XB4C	50	4300	-
2.2	53	305	0.82	27.86	BS20-../DPE09XB4C	50	4450	-
2.2	110	158	2.1	13.29	BS30-../DPE09XB4C	68	3600	-
2.2	86	200	1.8	16.92	BS30-../DPE09XB4C	68	3950	-
2.2	70	245	1.55	20.94	BS30-../DPE09XB4C	68	4300	-
2.2	61	255	1.45	24.06	BS30-../DPE09XB4C	68	4600	-
2.2	54	320	1.25	27.07	BS30-../DPE09XB4C	68	4750	-
2.2	47.5	330	1.2	30.63	BS30-../DPE09XB4C	68	5000	-
2.2	43.5	395	1.05	33.55	BS30-../DPE09XB4C	68	5200	-
2.2	38.5	405	1.05	37.92	BS30-../DPE09XB4C	68	5500	-
2.2	37	455	0.95	39.31	BS30-../DPE09XB4C	68	5500	-
2.2	29	550	0.82	50.04	BS30-../DPE09XB4C	68	5900	-
2.2	86	205	3.3	16.92	BS40-../DPE09XB4C	81	6400	-
2.2	69	245	2.9	21.06	BS40-../DPE09XB4C	81	6900	-
2.2	62	250	2.7	23.59	BS40-../DPE09XB4C	81	7900	-
2.2	56	305	2.4	26.18	BS40-../DPE09XB4C	81	7500	-
2.2	47.5	325	2.3	30.63	BS40-../DPE09XB4C	81	8700	-
2.2	43.5	385	2.0	33.35	BS40-../DPE09XB4C	81	8300	-
2.2	38.5	395	1.95	38.13	BS40-../DPE09XB4C	81	9400	-
2.2	36	460	1.75	40.37	BS40-../DPE09XB4C	81	9000	-
2.2	30.5	530	1.55	47.69	BS40-../DPE09XB4C	81	9600	-
2.2	24.5	600	1.45	60.38	BS40-../DPE09XB4C	81	11200	-
2.2	21	770	0.97	69.60	BS40-../DPE09XB4C	81	11800	-
2.2	20	730	1.2	73.09	BS40-../DPE09XB4C	81	12100	-
2.2	17	850	1.05	86.33	BS40-../DPE09XB4C	81	12900	-
2.2	13.5	1040	0.91	108.1	BS40-../DPE09XB4C	81	14000	-
2.2	12	1170	0.84	126.0	BS40-../DPE09XB4C	81	14900	-

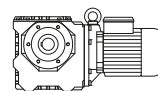
3 kW



P _N [kW]	50 Hz			i [:1]	Type	m		
	n ₂ [1/min]	M ₂ [Nm]	f _B [—]			[kg]	[N]	[N]
3	110	215	1.55	13.29	BS30-../DPE11LA4	89	3600	-
3	86	275	1.3	16.92	BS30-../DPE11LA4	89	3950	-
3	70	335	1.15	20.94	BS30-../DPE11LA4	89	4300	-
3	61	350	1.05	24.06	BS30-../DPE11LA4	89	4600	-
3	54	440	0.91	27.07	BS30-../DPE11LA4	89	4750	-
3	48	445	0.9	30.63	BS30-../DPE11LA4	89	5000	-
3	112	215	2.9	13.03	BS40-../DPE11LA4	107	5800	-
3	86	280	2.4	16.92	BS40-../DPE11LA4	107	6400	-
3	70	335	2.1	21.06	BS40-../DPE11LA4	107	6900	-
3	62	340	2.0	23.59	BS40-../DPE11LA4	107	7900	-
3	56	415	1.8	26.18	BS40-../DPE11LA4	107	7500	-
3	48	440	1.7	30.63	BS40-../DPE11LA4	107	8700	-
3	44	520	1.5	33.35	BS40-../DPE11LA4	107	8300	-
3	38.5	540	1.45	38.13	BS40-../DPE11LA4	107	9400	-
3	36.5	620	1.3	40.37	BS40-../DPE11LA4	107	9000	-
3	31	720	1.15	47.69	BS40-../DPE11LA4	107	9600	-
3	24.5	830	1.05	60.38	BS40-../DPE11LA4	107	11200	-
3	20	1000	0.88	73.09	BS40-../DPE11LA4	107	12100	-

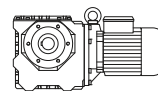
The torques marked (*) are maximum permissible torques for service factor f_B=1.0.

4 kW



P _N [kW]	n ₂ [1/min]	50 Hz		i [:1]	Type	m		
		M ₂ [Nm]	f _B [—]			[kg]	[N]	[N]
4	110	285	1.15	13.29	BS30-../DPE11LB4	89	3600	-
4	86	365	0.99	16.92	BS30-../DPE11LB4	89	3950	-
4	70	450	0.84	20.94	BS30-../DPE11LB4	89	4300	-
4	112	285	2.2	13.03	BS40-../DPE11LB4	107	5800	-
4	86	375	1.8	16.92	BS40-../DPE11LB4	107	6400	-
4	69	450	1.6	21.06	BS40-../DPE11LB4	107	6900	-
4	62	455	1.5	23.59	BS40-../DPE11LB4	107	7900	-
4	56	550	1.35	26.18	BS40-../DPE11LB4	107	7500	-
4	47.5	590	1.25	30.63	BS40-../DPE11LB4	107	8700	-
4	43.5	700	1.1	33.35	BS40-../DPE11LB4	107	8300	-
4	38.5	720	1.1	38.13	BS40-../DPE11LB4	107	9400	-
4	36	830	0.96	40.37	BS40-../DPE11LB4	107	9000	-
4	30.5	970	0.86	47.69	BS40-../DPE11LB4	107	9600	-

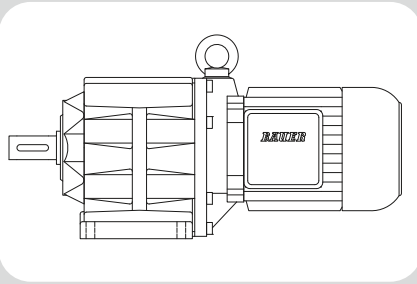
5.5 kW



P _N [kW]	n ₂ [1/min]	50 Hz		i [:1]	Type	m		
		M ₂ [Nm]	f _B [—]			[kg]	[N]	[N]
5.5	111	390	0.85	13.29	BS30-../DPE11LB4C	93	3600	-
5.5	113	395	1.55	13.03	BS40-../DPE11LB4C	111	5800	-
5.5	87	510	1.3	16.92	BS40-../DPE11LB4C	111	6400	-
5.5	70	610	1.15	21.06	BS40-../DPE11LB4C	111	6900	-
5.5	63	610	1.15	23.59	BS40-../DPE11LB4C	111	7900	-
5.5	56	760	0.97	26.18	BS40-../DPE11LB4C	111	7500	-
5.5	48	800	0.94	30.63	BS40-../DPE11LB4C	111	8700	-
5.5	44	950	0.82	33.35	BS40-../DPE11LB4C	111	8300	-

Energy Efficient Geared Motors

AC Line Operated / European Union



10

BG-series helical-geared motors - Dimensions

Dimension - Standard	235
BG04	235
BG05	236
BG06	237
BG10-BG10Z	238
BG10X-BG10XZ	240
BG15	243
BG20-BG20Z	244
BG30-BG30Z	246
BG40-BG40Z	248
BG50-BG50Z	250
BG60-BG60Z	252
BG70-BG70Z	254
BG80-BG80Z	256
BG90-BG90Z	258
BG100-BG100Z	260
Dimension - Tandem Gearbox	263
BG06G04	263
BG10G06	264
BG10XG06	266
BG20G06	268
BG30G06	270
BG40G10	272
BG50G10	274
BG60G20	276
BG70G20	278
BG80G40	280
BG90G50	282
BG100G50	284

Energy Efficient Geared Motors

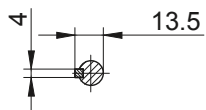
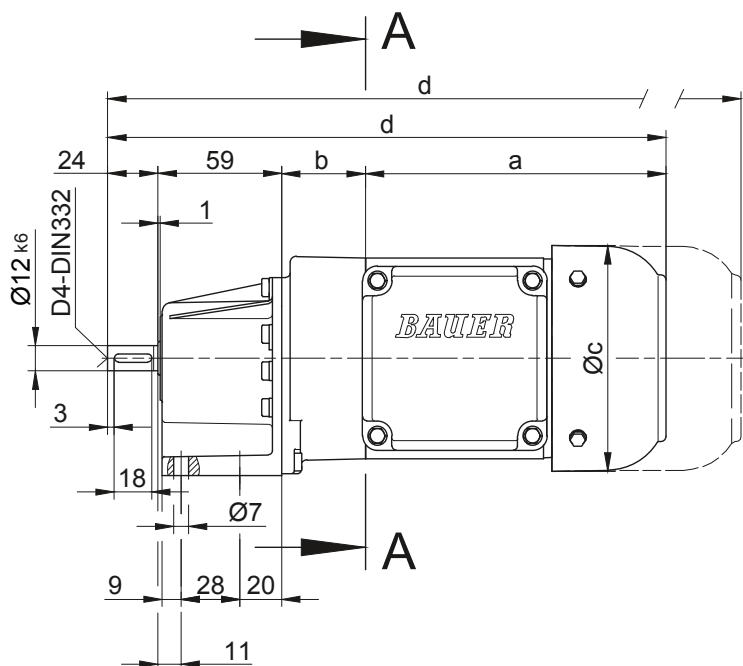
AC Line Operated / European Union

10

BG04

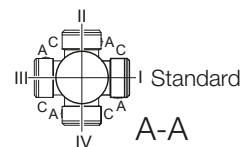
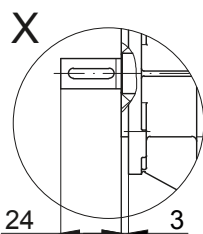
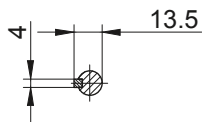
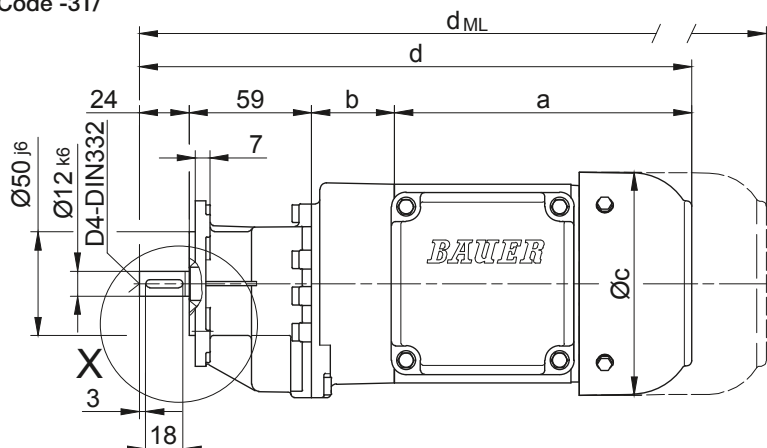
Foot mounting

Code -11/



Flange with clearance holes

Code -31/



10

Type	a	b	c	d	i	Design with motor extensions				
						i _{TB}	Brake	Encoder	Brake with Encoder	Back Stop
							d _{ML}	d _{ML}	d _{ML}	d _{ML}
BG04-.../D04.A.	142.5	40	110.5	265.5	90	112	309	353	396.5	-

Dimensions in millimetres (mm)

The actual gearbox design can vary from the geometry shown. Generate drive specific 3D and 2D geometries under www.BauerCat.com.

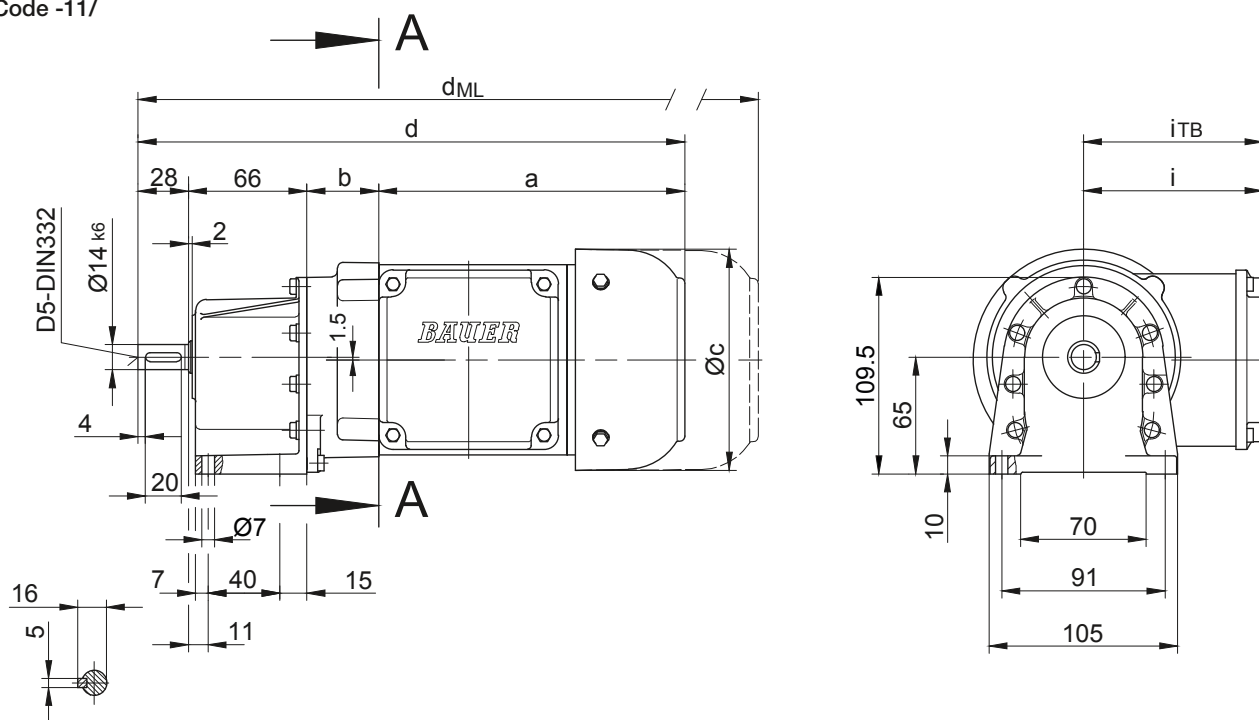
BG-series helical-geared motors

Dimension - Standard

BG05

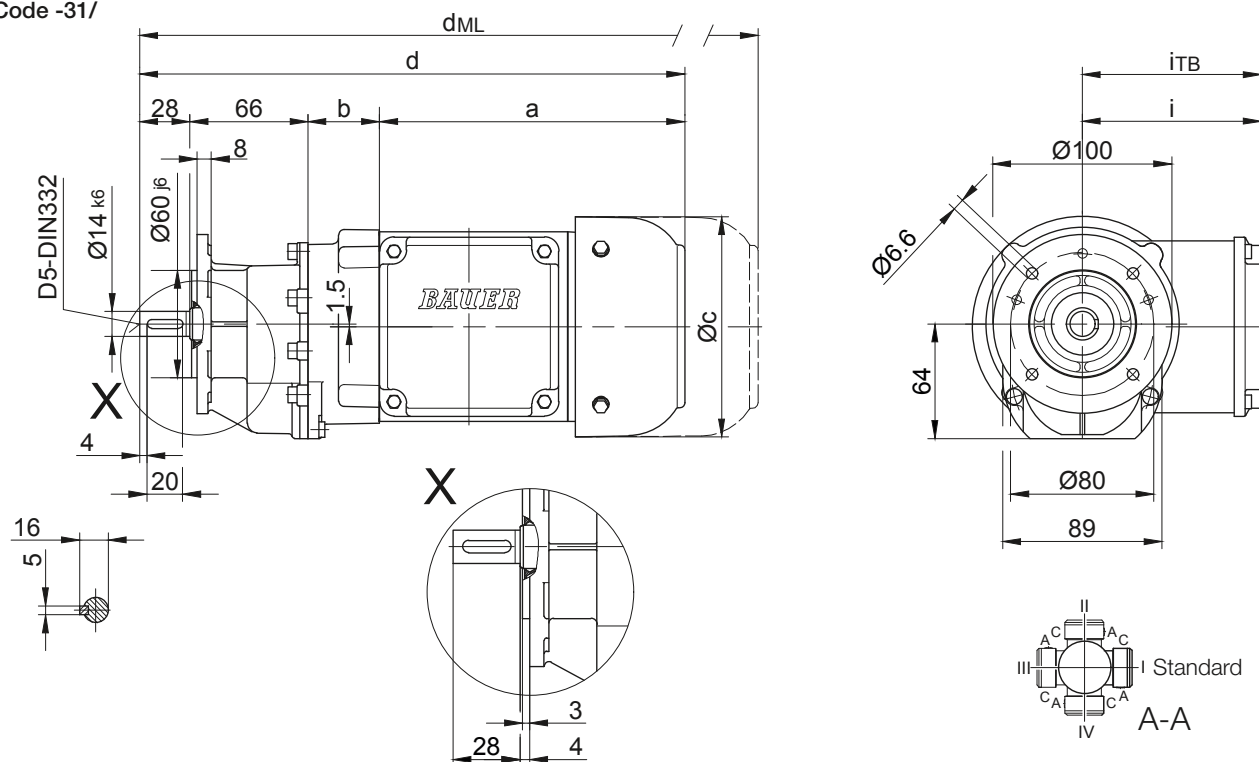
Foot mounting

Code -11/



Flange with clearance holes

Code -31/



Type	a	b	c	d	i	Design with motor extensions				
						i _{TB}	Brake	Encoder	Brake with Encoder	Back Stop
							d _{ML}	d _{ML}	d _{ML}	d _{ML}
BG05-../D04.A.	142.5	38	110.5	274.5	90	112	318	362	405.5	-
BG05-../D..05.A.	170.5	40	123	304.5	101	117	346.5	407	444.5	-
BG05-../D..06.A.	170.5	40	123	304.5	99	119	346.5	407	444.5	-
BG05-../D..07.A.	190.5	40	123	324.5	99	119	366.5	427	464.5	-

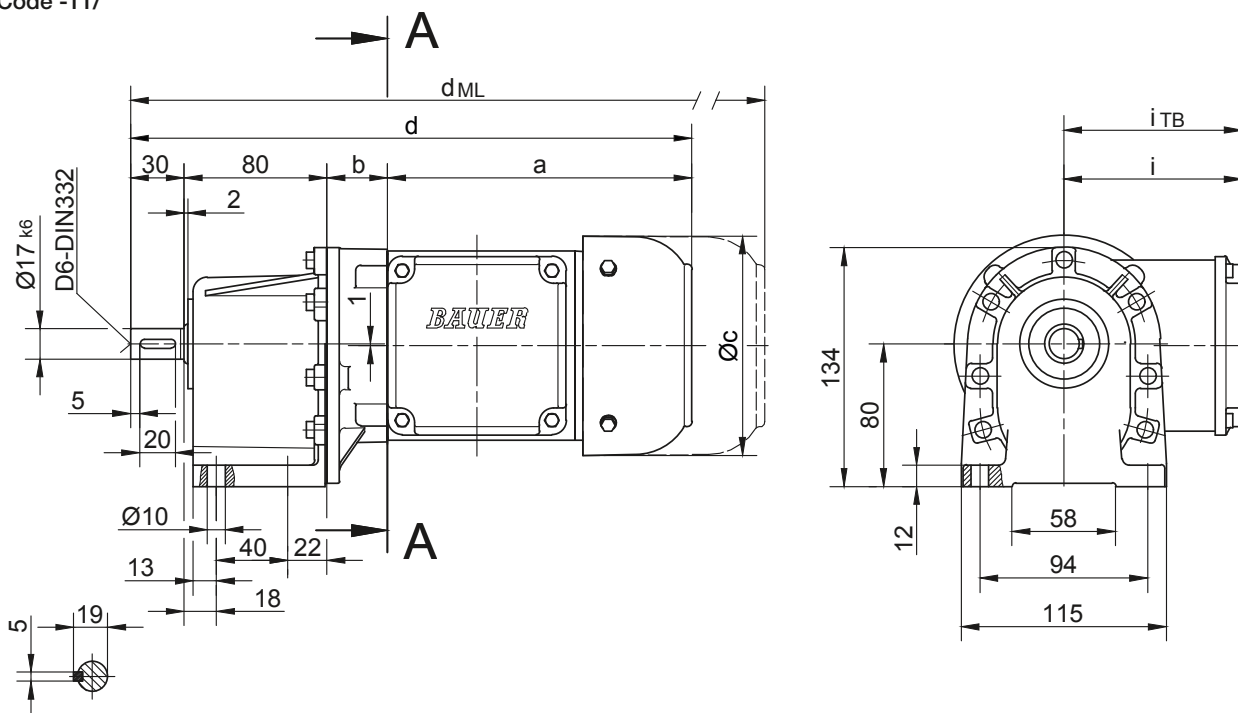
Dimensions in millimetres (mm)

The actual gearbox design can vary from the geometry shown. Generate drive specific 3D and 2D geometries under www.BauerCat.com.

BG06

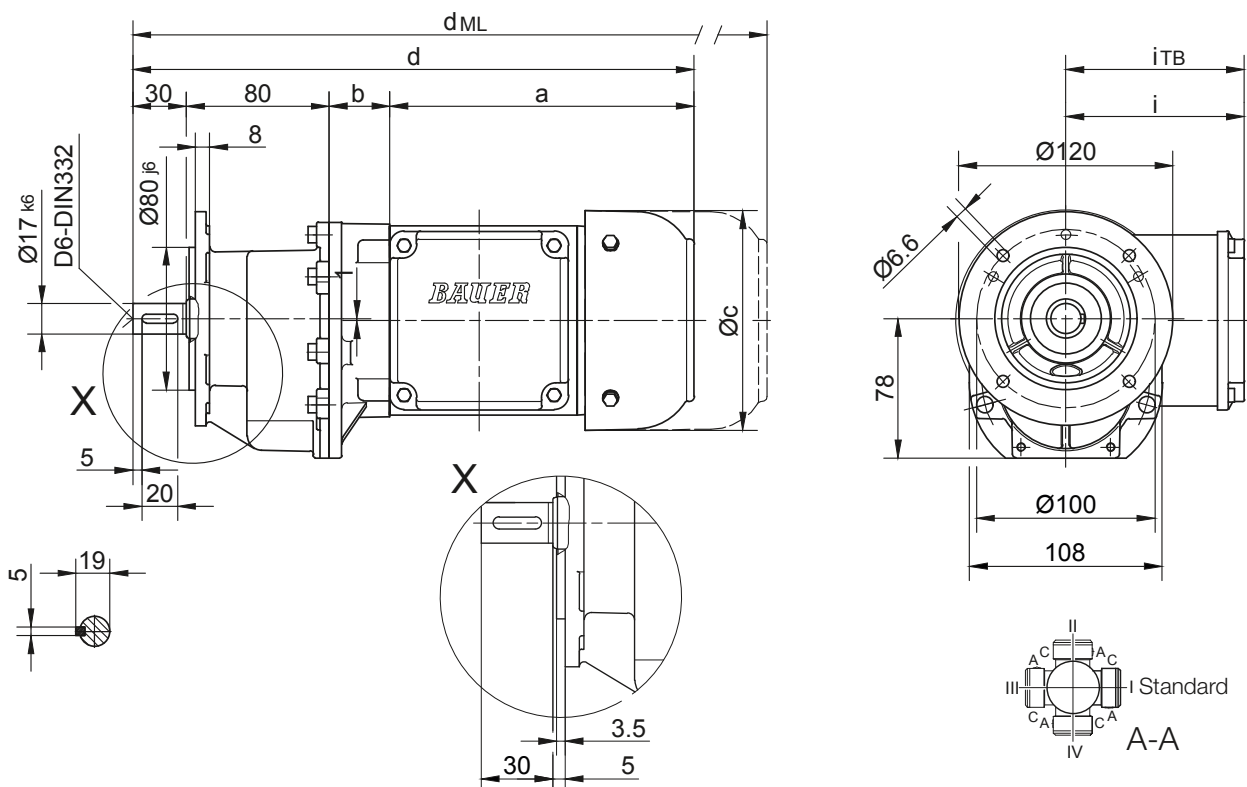
Foot mounting

Code -11/



Flange with clearance holes

Code -31/



10

Type	a	b	c	d	i	Design with motor extensions				
						i _{TB}	Brake	Encoder	Brake with Encoder	Back Stop
							d _{ML}	d _{ML}	d _{ML}	d _{ML}
BG06-../D04.A.	142.5	32	110.5	284.5	90	112	328	372	415.5	-
BG06-../D..05.A.	170.5	34	123	314.5	101	117	356.5	417	454.5	-
BG06-../D..06.A.	170.5	34	123	314.5	99	119	356.5	417	454.5	-
BG06-../D..07.A.	190.5	34	123	334.5	99	119	376.5	437	474.5	-
BG06-../D..08.A.	199.5	78	156	387.5	114.5	136.5	453.5	499.5	561	453.5
BG06-../D..08.B.	229.5	78	156	417.5	114.5	136.5	483.5	529.5	590.5	483.5

Dimensions in millimetres (mm)

The actual gearbox design can vary from the geometry shown. Generate drive specific 3D and 2D geometries under www.BauerCat.com.

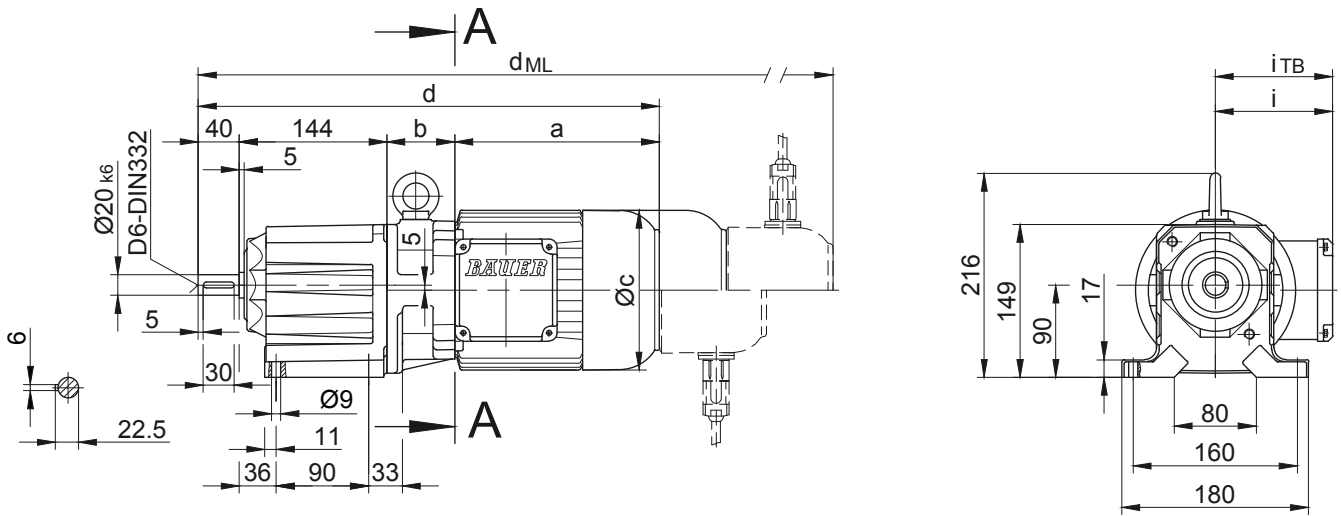
BG-series helical-geared motors

Dimension - Standard

BG10-BG10Z

Foot mounting with clearance holes

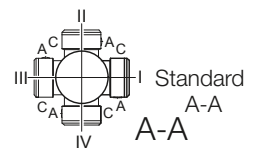
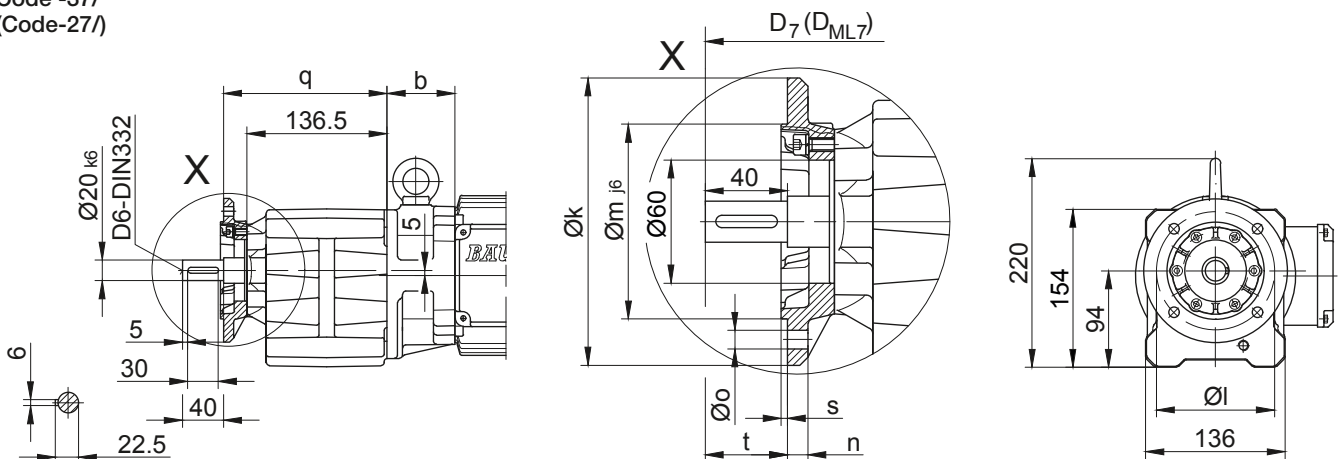
Code -11/



Flange with clearance holes

Code -37/

(Code-27/)



Flange Dimensions

Type	Design	k	l	m	n	o	q	s	t	D ₇	D _{ML7}
BG10..	Code -37V/	140	115	95	10	9	159.5	3	40	d+15.5	d _{ML} +15.5
BG10..	Code -27V/	120	100	80	8	6.6	154.5	3	45	d+15.5	d _{ML} +15.5

Dimensions in millimetres (mm)

Type	a	b	c	d	i	Design with motor extensions				
						i _{TB}	Brake	Encoder	Brake with Encoder	Back Stop
							d _{ML}	d _{ML}	d _{ML}	d _{ML}
BG10Z-../D04.A.	142.5	86	110.5	412.5	90	112	456	500	543.5	-
BG10-../D..05.A.	170.5	62	123	416.5	101	117	458.5	519	556.5	-
BG10Z-../D..05.A.	170.5	88	123	442.5	101	117	484.5	545	582.5	-
BG10-../D..06.A.	170.5	62	123	416.5	99	119	458.5	519	556.5	-
BG10Z-../D..06.A.	170.5	88	123	442.5	99	119	484.5	545	582.5	-
BG10-../D..07.A.	190.5	62	123	436.5	99	119	478.5	539	576.5	-
BG10Z-../D..07.A.	190.5	88	123	462.5	99	119	504.5	565	602.5	-
BG10-../D..08.A.	199.5	66	156	449.5	114.5	136.5	515.5	561.5	623	515.5
BG10Z-../D..08.A.	199.5	132	156	515.5	114.5	136.5	581.5	627.5	689	581.5
BG10-../D..08.B.	229.5	66	156	479.5	114.5	136.5	545.5	591.5	652.5	545.5
BG10Z-../D..08.B.	229.5	132	156	545.5	114.5	136.5	611.5	657.5	718.5	611.5
BG10-../D..09.A.	250.5	80.5	176	515	124	157	608	622.5	712	608
BG10Z-../D..09.B.	308.5	80.5	176	573	124	157	666	680	770	666

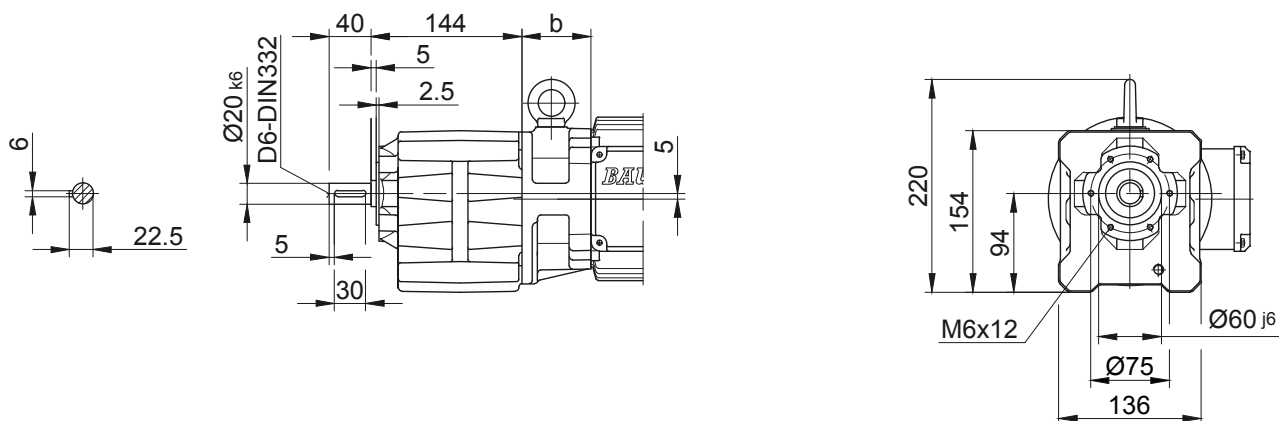
Dimensions in millimetres (mm)

The actual gearbox design can vary from the geometry shown. Generate drive specific 3D and 2D geometries under www.BauerCat.com.

BG10-BG10Z

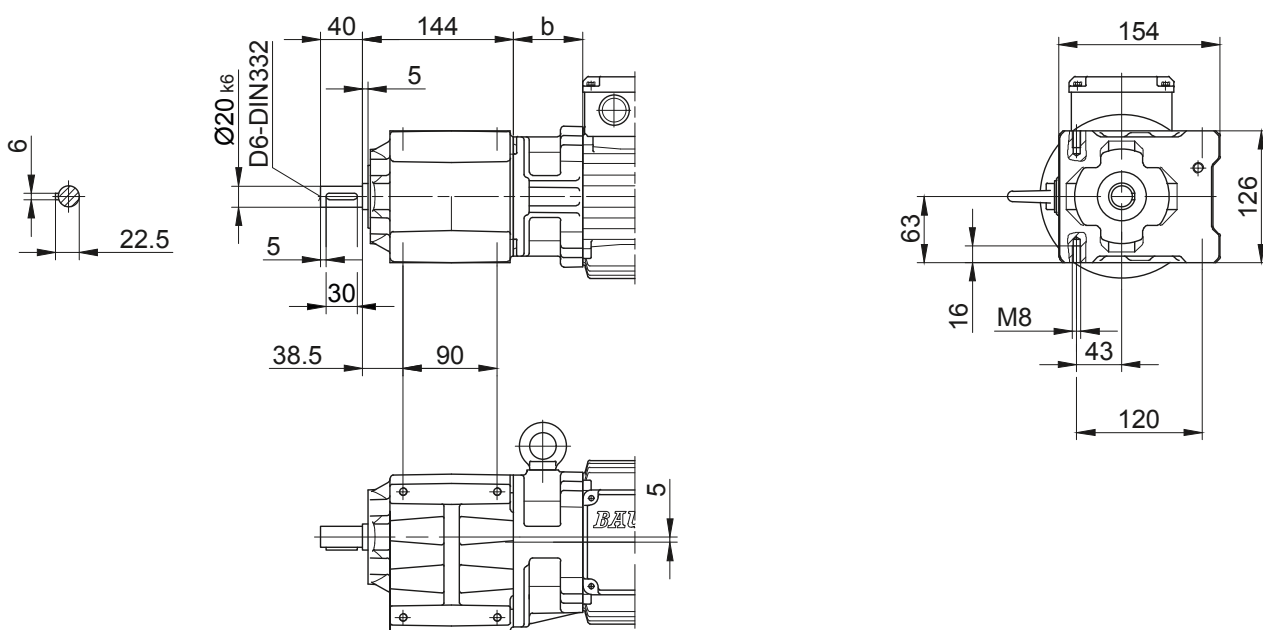
Flange with tapped holes

Code -71/



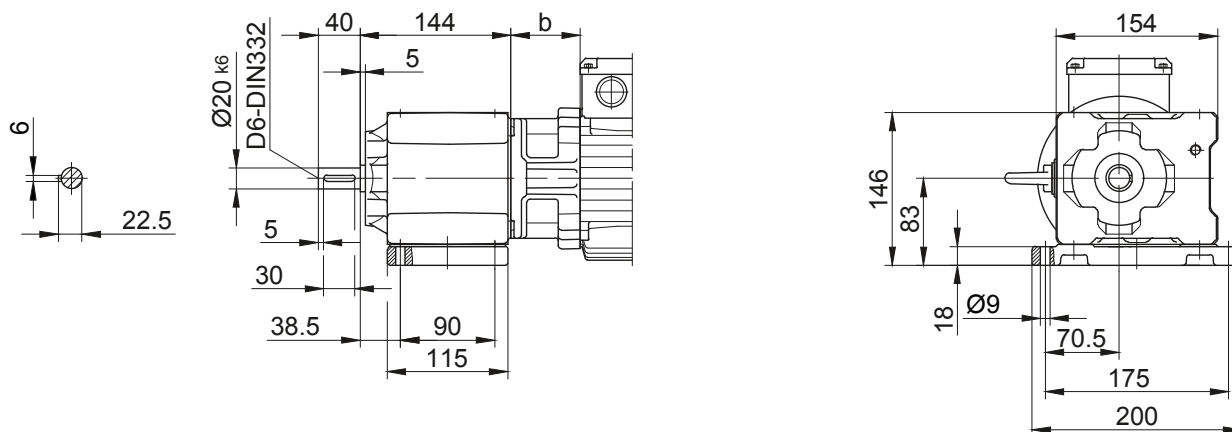
Foot with tapped holes left and right

Code -61LR/



Foot plate left

Code -91L/



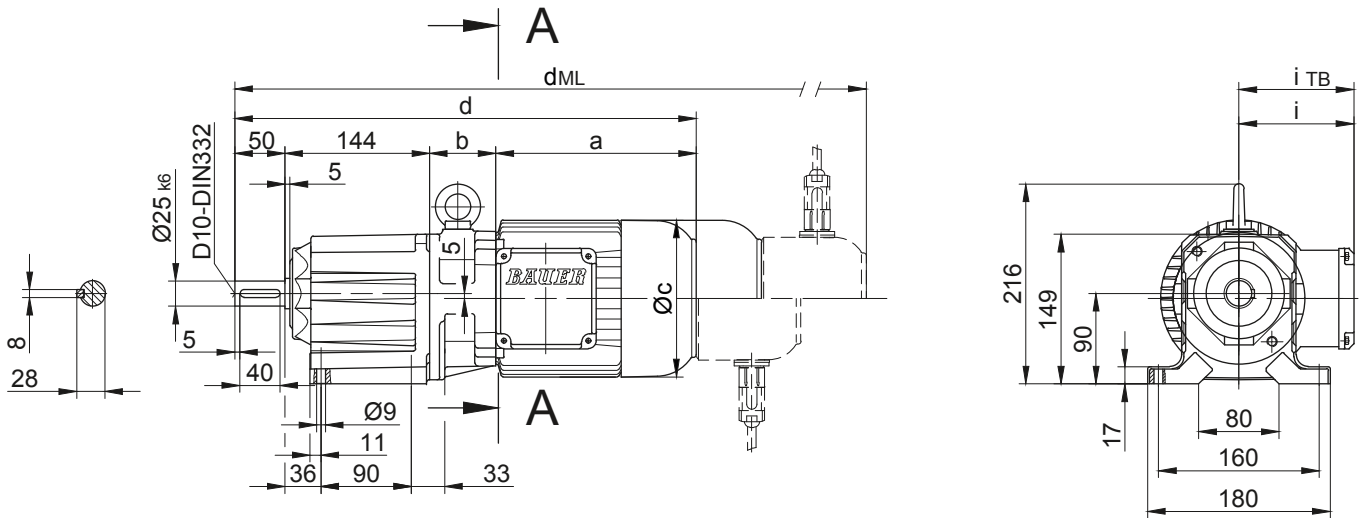
BG-series helical-geared motors

Dimension - Standard

BG10X-BG10XZ

Foot mounting with clearance holes

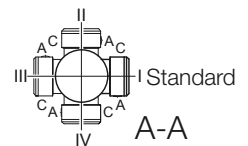
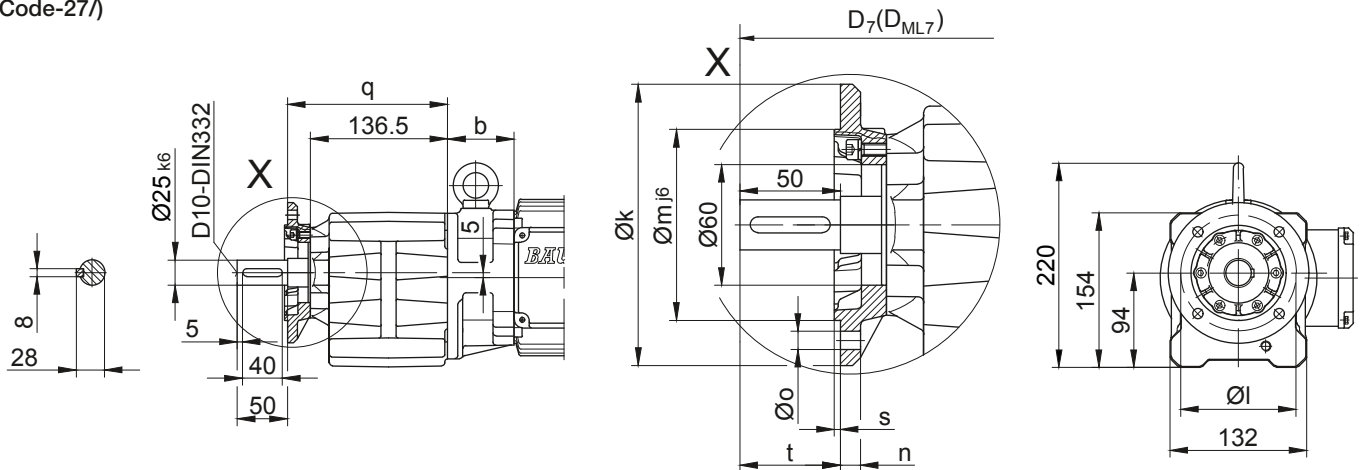
Code -11/



Flange with clearance holes

Code -37/

(Code-27/)



Flange Dimensions

Type	Design	k	l	m	n	o	q	s	t	D ₇	D _{ML7}
BG10X..	Code -37V/	140	115	95	10	9	159.5	3	50	d+15.5	d _{ML} +15.5
BG10X..	Code -27V/	120	100	80	8	6.6	154.5	3	55	d+15.5	d _{ML} +15.5

Dimensions in millimetres (mm)

Type	a	b	c	d	i	Design with motor extensions				
						i _{TB}	Brake	Encoder	Brake with Encoder	Back Stop
							d _{ML}	d _{ML}	d _{ML}	d _{ML}
BG10XZ-../D04.A.	142.5	86	110.5	422.5	90	112	466	510	553.5	-
BG10X-../D..05.A.	170.5	62	123	426.5	101	117	468.5	529	566.5	-
BG10XZ-../D..05.A.	170.5	88	123	452.5	101	117	494.5	555	592.5	-
BG10X-../D..06.A.	170.5	62	123	426.5	99	119	468.5	529	566.5	-
BG10XZ-../D..06.A.	170.5	88	123	452.5	99	119	494.5	555	592.5	-
BG10X-../D..07.A.	190.5	62	123	446.5	99	119	488.5	549	586.5	-
BG10XZ-../D..07.A.	190.5	88	123	472.5	99	119	514.5	575	612.5	-
BG10X-../D..08.A.	199.5	66	156	459.5	114.5	136.5	525.5	571.5	633	525.5
BG10XZ-../D..08.A.	199.5	132	156	525.5	114.5	136.5	591.5	637.5	699	591.5
BG10X-../D..08.B.	229.5	66	156	489.5	114.5	136.5	555.5	601.5	662.5	555.5
BG10XZ-../D..08.B.	229.5	132	156	555.5	114.5	136.5	621.5	667.5	728.5	621.5
BG10X-../D..09.A.	250.5	80.5	176	525	124	157	618	632.5	722	618
BG10XZ-../D..09.B.	308.5	80.5	176	583	124	157	676	690	780	676

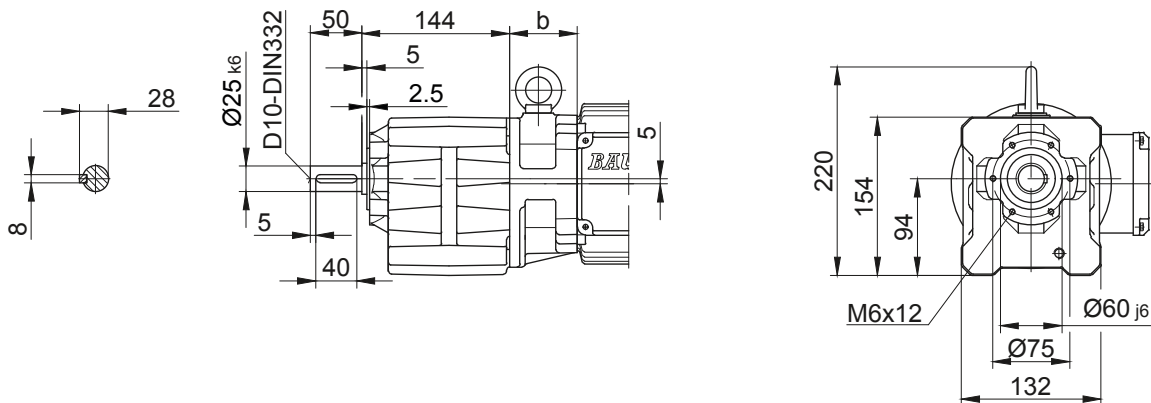
Dimensions in millimetres (mm)

The actual gearbox design can vary from the geometry shown. Generate drive specific 3D and 2D geometries under www.BauerCat.com.

BG10X-BG10XZ

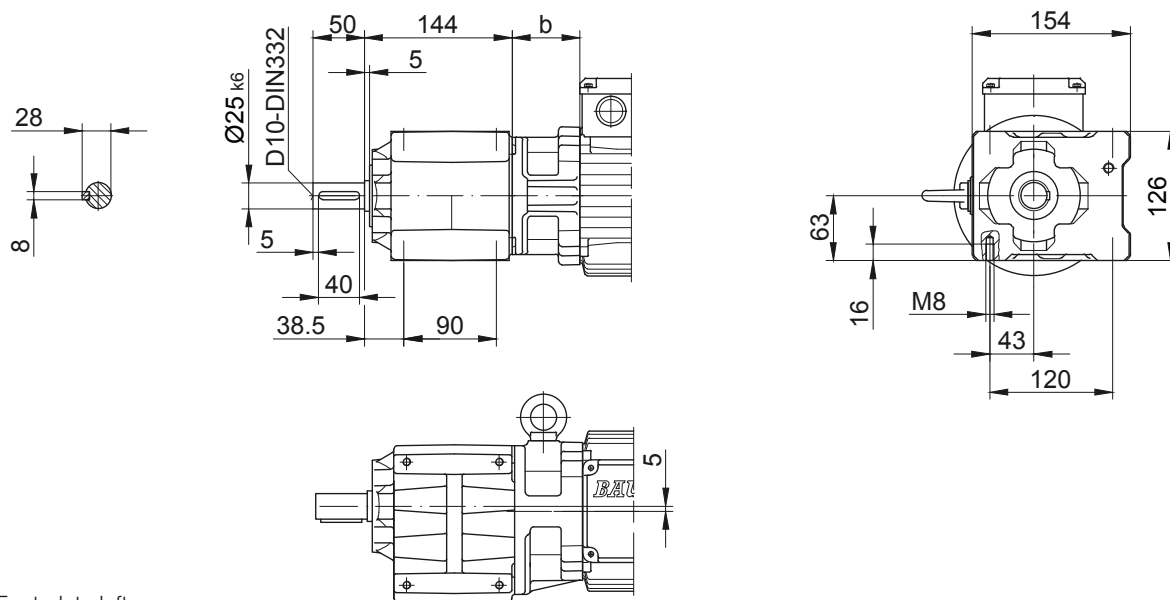
Flange with tapped holes

Code -71/



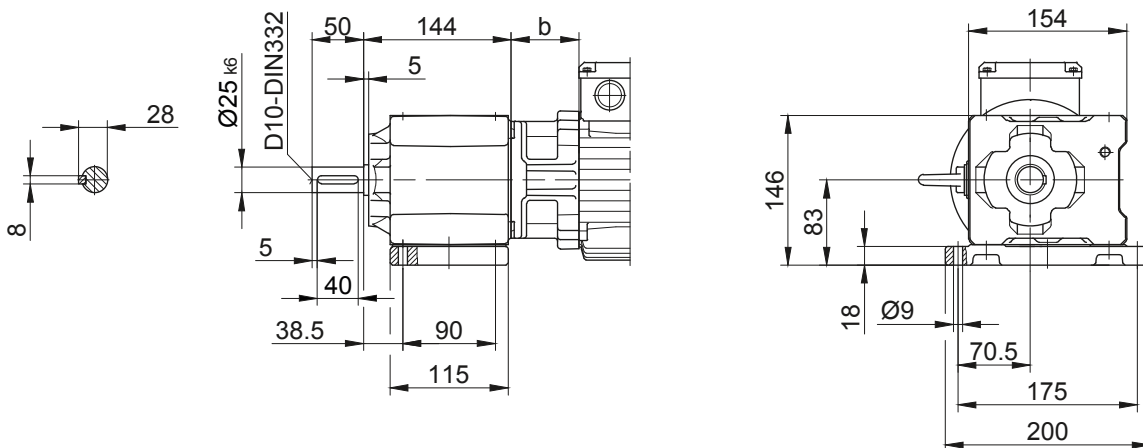
Foot with tapped holes left and right

Code -61LR/



Foot plate left

Code -91L/



Energy Efficient Geared Motors

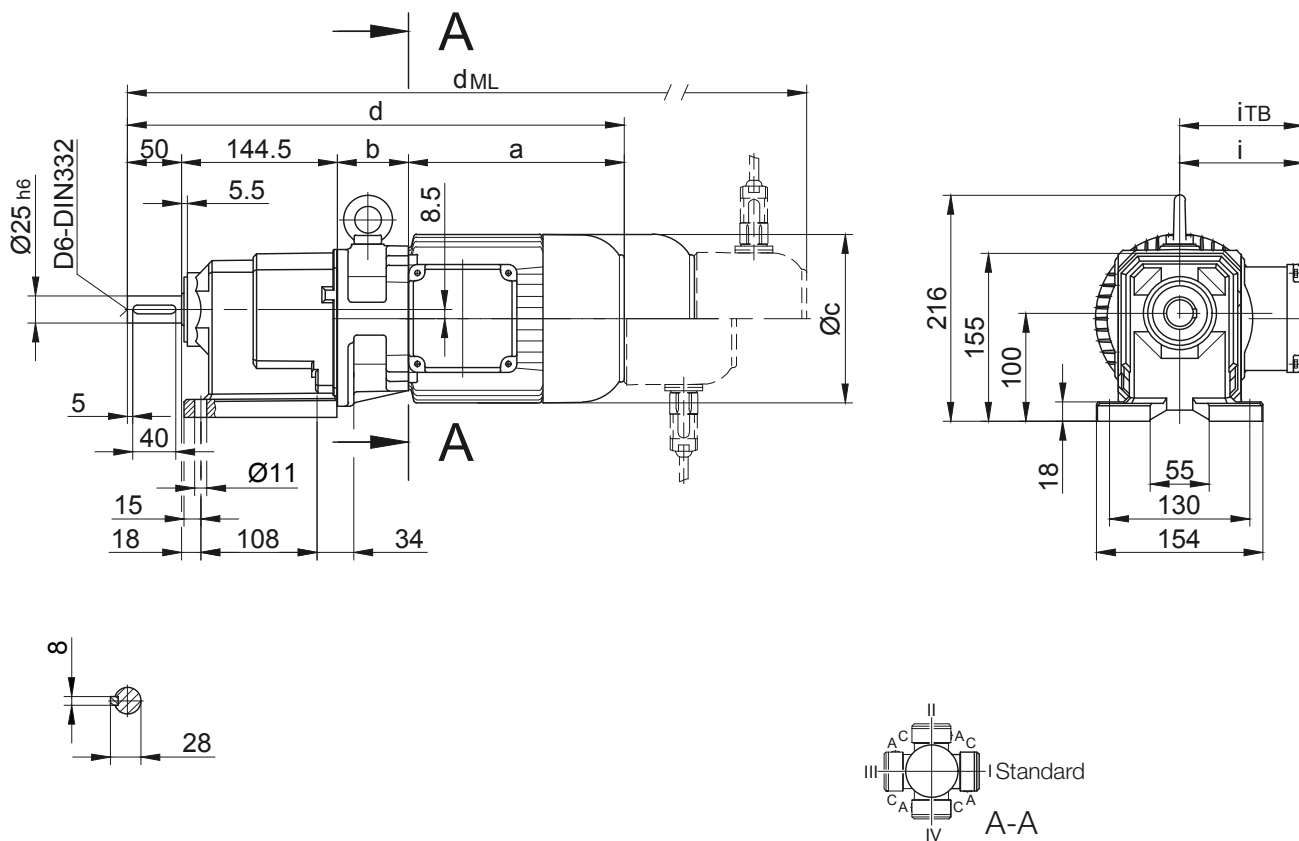
AC Line Operated / European Union

10

BG15

Foot mounting with clearance holes

Code -11/



10

Type	a	b	c	d	i	Design with motor extensions				
						i _{TB}	Brake	Encoder	Brake with Encoder	Back Stop
							d _{ML}	d _{ML}	d _{ML}	d _{ML}
BG15-../D..05.A.	170.5	62	123	427	101	117	442.5	486.5	530	-
BG15-../D..06.A.	170.5	62	123	427	99	119	469	529.5	567	-
BG15-../D..07.A.	190.5	62	123	447	99	119	489	549.5	587	-
BG15-../D..08.A.	199.5	66	156	460	114.5	136.5	526	572	633.5	331.5
BG15-../D..08.B.	229.5	66	156	490	114.5	136.5	556	602	663	556
BG15-../D..09.A.	250.5	80.5	176	525.5	124	157	618.5	633	722.5	618.5
BG15-../D..09.B.	308.5	80.5	176	583.5	124	157	676.5	690.5	780.5	676.5

Dimensions in millimetres (mm)

The actual gearbox design can vary from the geometry shown. Generate drive specific 3D and 2D geometries under www.BauerCat.com.

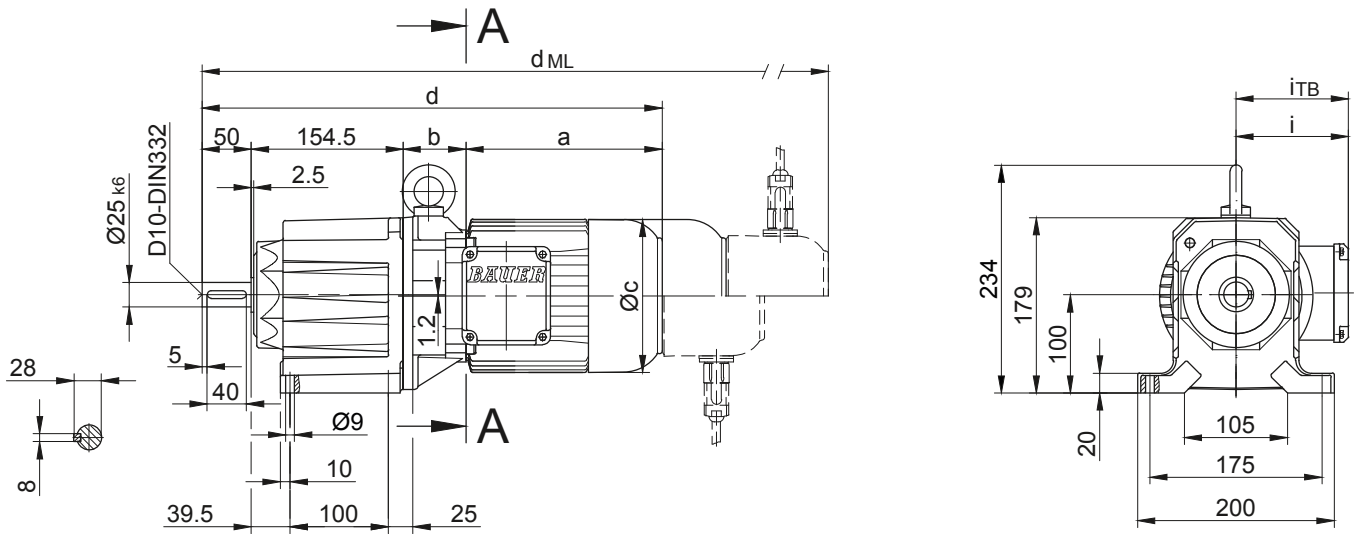
BG-series helical-geared motors

Dimension - Standard

BG20-BG20Z

Foot mounting with clearance holes

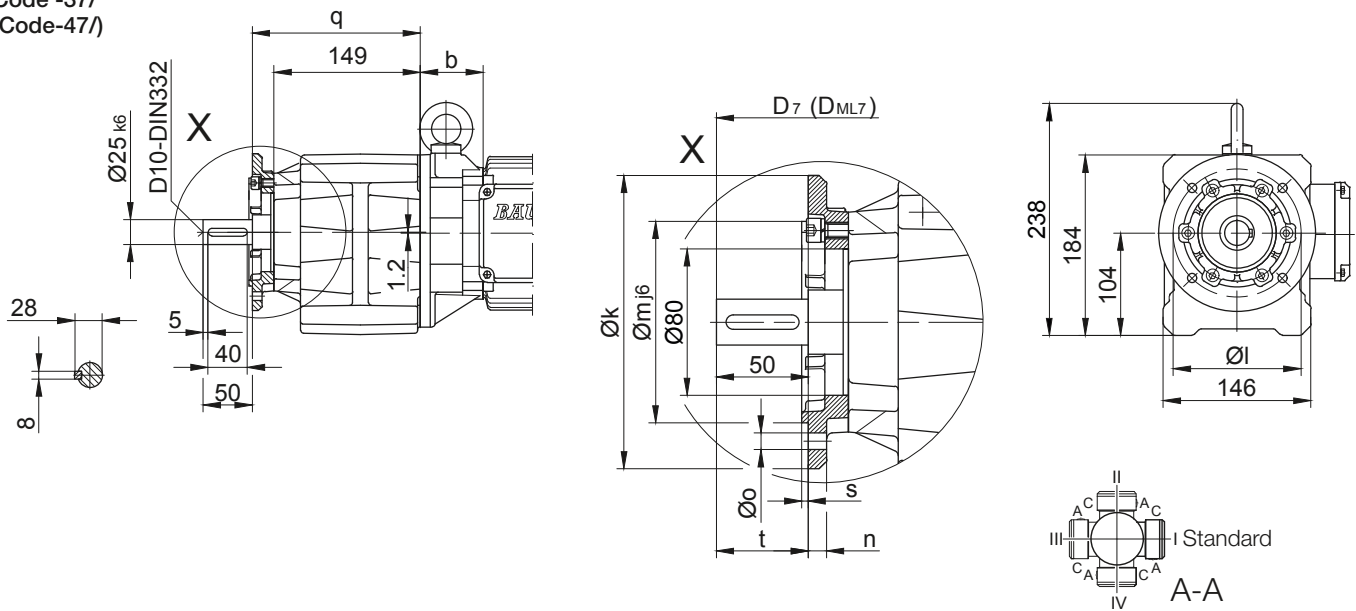
Code -11/



Flange with clearance holes

Code -37/

(Code-47/)



Flange Dimensions

Type	Design	k	l	m	n	o	q	s	t	D ₇	D _{ML7}
BG20..	Code -37V/	160	130	110	10	9	171	3.5	50	d+16.5	d _{ML} +16.5
BG20..	Code -47V/	200	165	130	12	11	178	3.5	43	d+16.5	d _{ML} +16.5

Dimensions in millimetres (mm)

Type	a	b	c	d	i	Design with motor extensions				
						i _{TB}	Brake	Encoder	Brake with Encoder	Back Stop
							d _{ML}	d _{ML}	d _{ML}	d _{ML}
BG20Z-../D04.A.	142.5	100	110.5	447	90	112	490.5	534.5	578	-
BG20-../D..05.A.	170.5	60	123	435	101	117	477	537.5	575	-
BG20Z-../D..05.A.	170.5	102	123	477	101	117	519	579.5	617	-
BG20-../D..06.A.	170.5	60	123	435	99	119	477	537.5	575	-
BG20Z-../D..06.A.	170.5	102	123	477	99	119	519	579.5	617	-
BG20-../D..07.A.	190.5	60	123	455	99	119	497	557.5	595	-
BG20Z-../D..07.A.	190.5	102	123	497	99	119	539	599.5	637	-
BG20-../D..08.A.	199.5	64	156	468	114.5	136.5	534	580	641.5	534
BG20Z-../D..08.A.	199.5	146	156	550	114.5	136.5	616	662	723.5	616
BG20-../D..08.B.	229.5	64	156	498	114.5	136.5	564	610	671	564
BG20Z-../D..08.B.	229.5	146	156	580	114.5	136.5	646	692	753	646
BG20-../D..09.A.	250.5	78.5	176	533.5	124	157	626.5	641	730.5	626.5
BG20Z-../D..09.B.	308.5	78.5	176	591.5	124	157	684.5	698.5	788.5	684.5

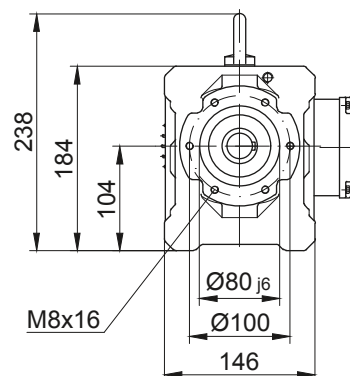
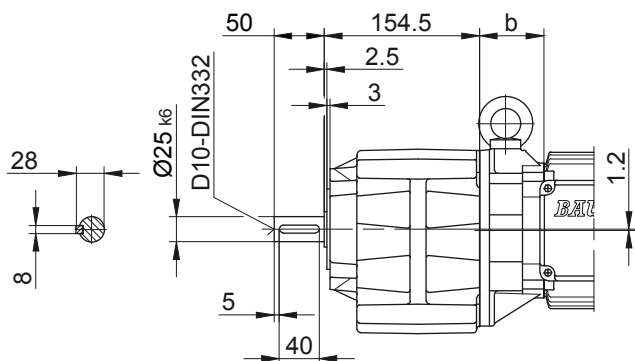
Dimensions in millimetres (mm)

The actual gearbox design can vary from the geometry shown. Generate drive specific 3D and 2D geometries under www.BauerCat.com.

BG20-BG20Z

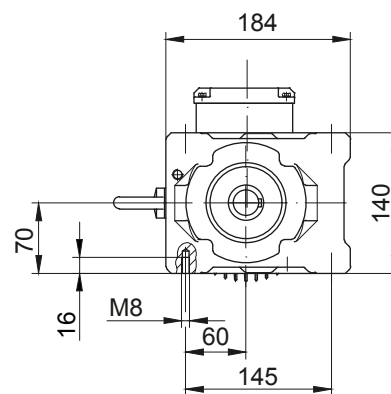
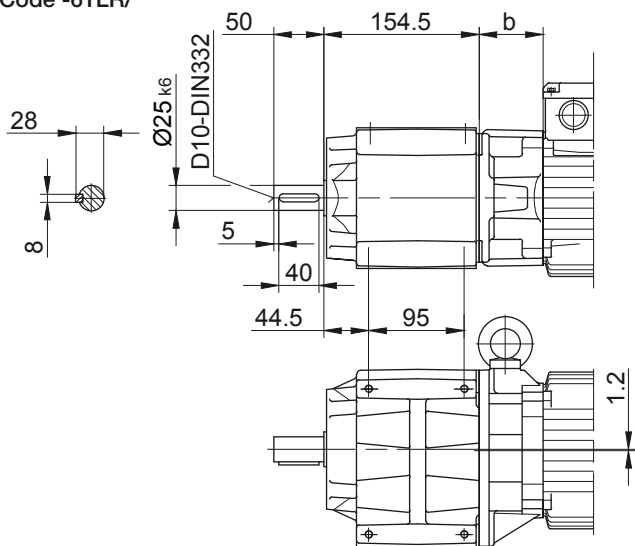
Flange with tapped holes

Code -71/



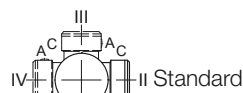
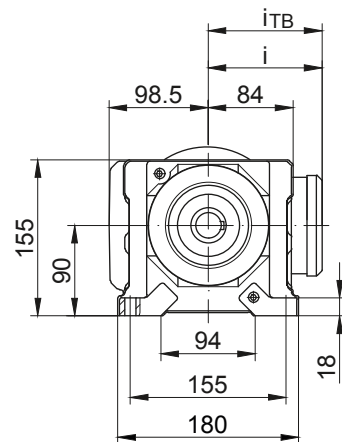
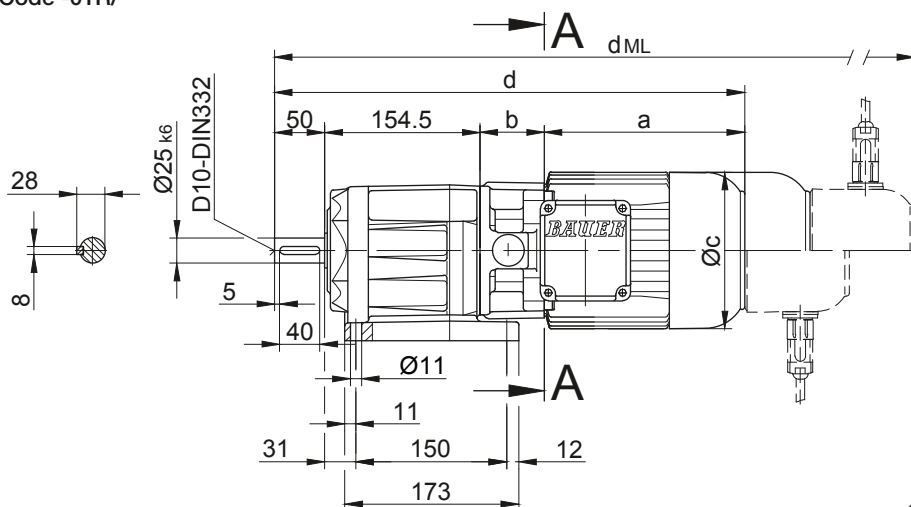
Foot with tapped holes left and right

Code -61LR/



Foot mounting right with clearance holes

Code -01R/



A-A
only for BG20-01R!

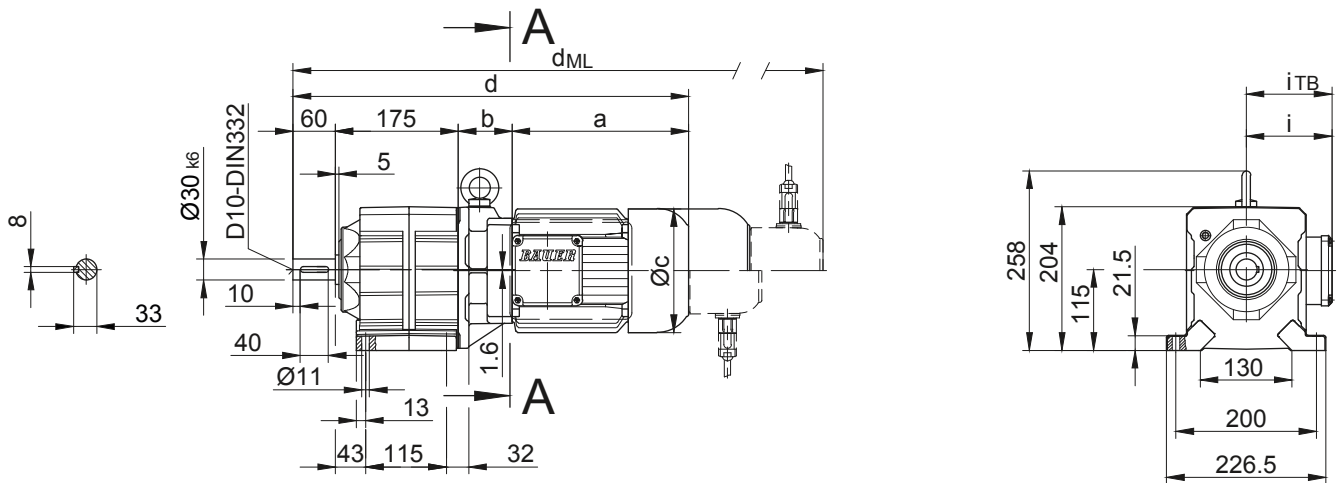
BG-series helical-geared motors

Dimension - Standard

BG30-BG30Z

Foot mounting with clearance holes

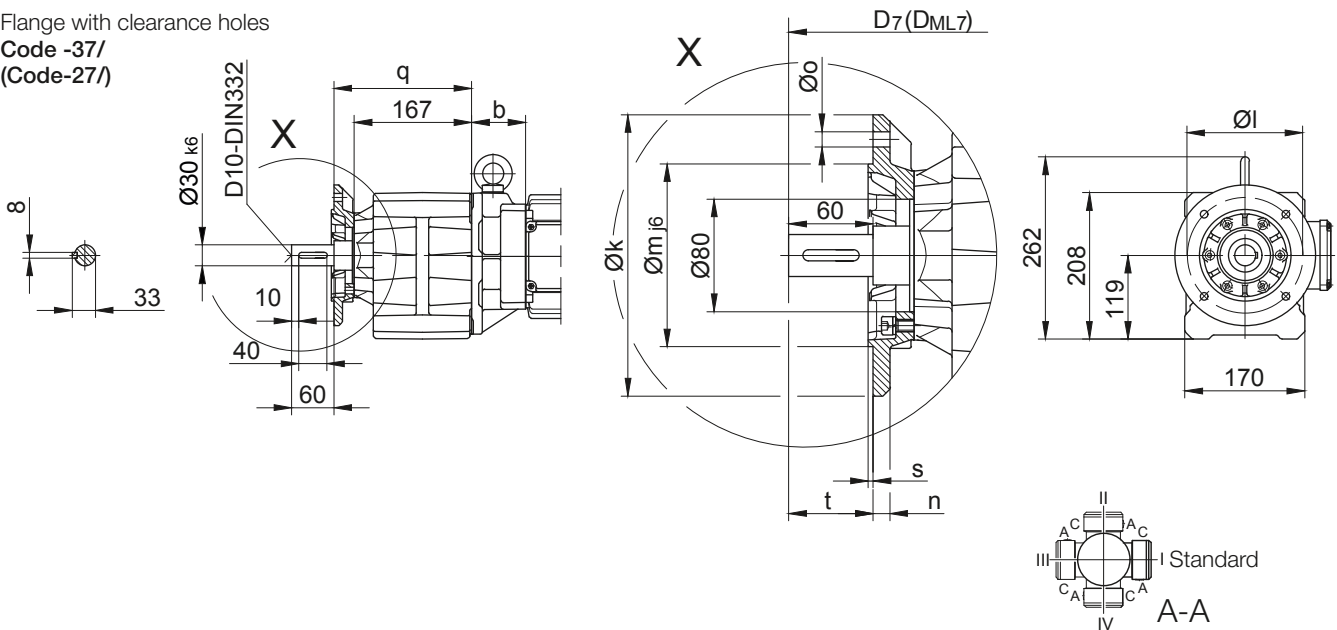
Code -11/



Flange with clearance holes

Code -37/

(Code-27/)



Flange Dimensions

Type	Design	k	l	m	n	o	q	s	t	D ₇	D _{ML7}
BG30..	Code -37/	200	165	130	12	11	196	3.5	60	d+21	d _{ML} +21
BG30..	Code -27/	160	130	110	10	9	189	3.5	67	d+21	d _{ML} +21

Dimensions in millimetres (mm)

Type	a	b	c	d	i	Design with motor extensions				
						i _{TB}	Brake	Encoder	Brake with Encoder	Back Stop
							d _{ML}	d _{ML}	d _{ML}	d _{ML}
BG30-../D..05.A.	170.5	58	123	463.5	101	117	505.5	566	603.5	-
BG30Z-../D..05.A.	170.5	133.5	123	539	101	117	581	641.5	679	-
BG30-../D..06.A.	170.5	58	123	463.5	99	119	505.5	566	603.5	-
BG30Z-../D..06.A.	170.5	133.5	123	539	99	119	581	641.5	679	-
BG30-../D..07.A.	190.5	58	123	483.5	99	119	525.5	586	623.5	-
BG30Z-../D..07.A.	190.5	133.5	123	559	99	119	601	661.5	699	-
BG30-../D..08.A.	199.5	62	156	496.5	114.5	136.5	562.5	608.5	670	562.5
BG30Z-../D..08.A.	199.5	137.5	156	572	114.5	136.5	638	684	745.5	638
BG30-../D..08.B.	229.5	62	156	526.5	114.5	136.5	592.5	638.5	699.5	592.5
BG30Z-../D..08.B.	229.5	137.5	156	602	114.5	136.5	668	714	775	668
BG30-../D..09.A.	250.5	76.5	176	562	124	157	655	727	759	655
BG30Z-../D..09.A.	250.5	152	176	637.5	124	157	730.5	802.5	834.5	730.5
BG30-../D..09.B.	308.5	76.5	176	620	124	157	713	727	817	713
BG30Z-../D..09.B.	308.5	152	176	695.5	124	157	788.5	802.5	892.5	788.5
BG30-../D..11.A.	319	83	218	637	165	176	735	744.5	837	735
BG30-../D..11.B.	387	83	218	705	165	176	801	812.5	905	801

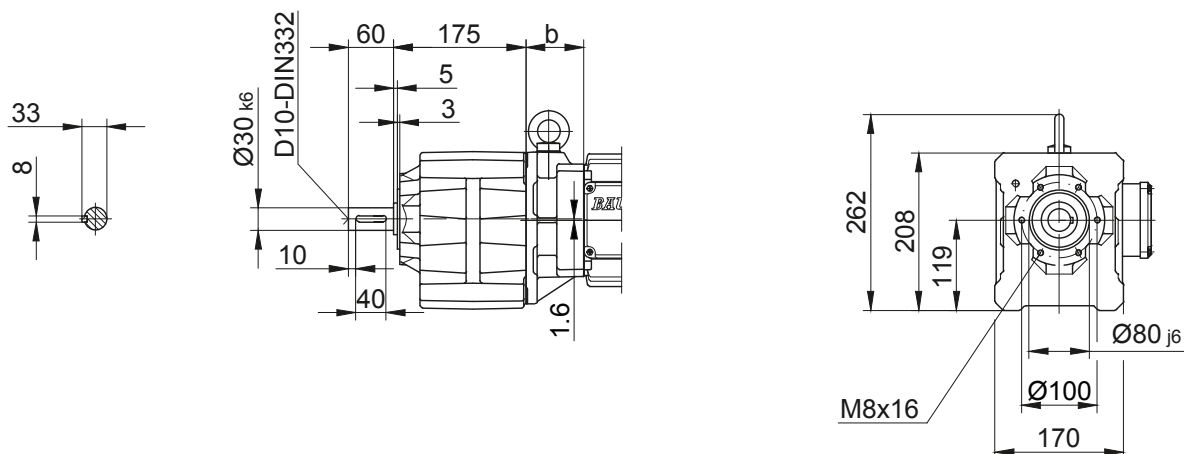
Dimensions in millimetres (mm)

The actual gearbox design can vary from the geometry shown. Generate drive specific 3D and 2D geometries under www.BauerCat.com.

BG30-BG30Z

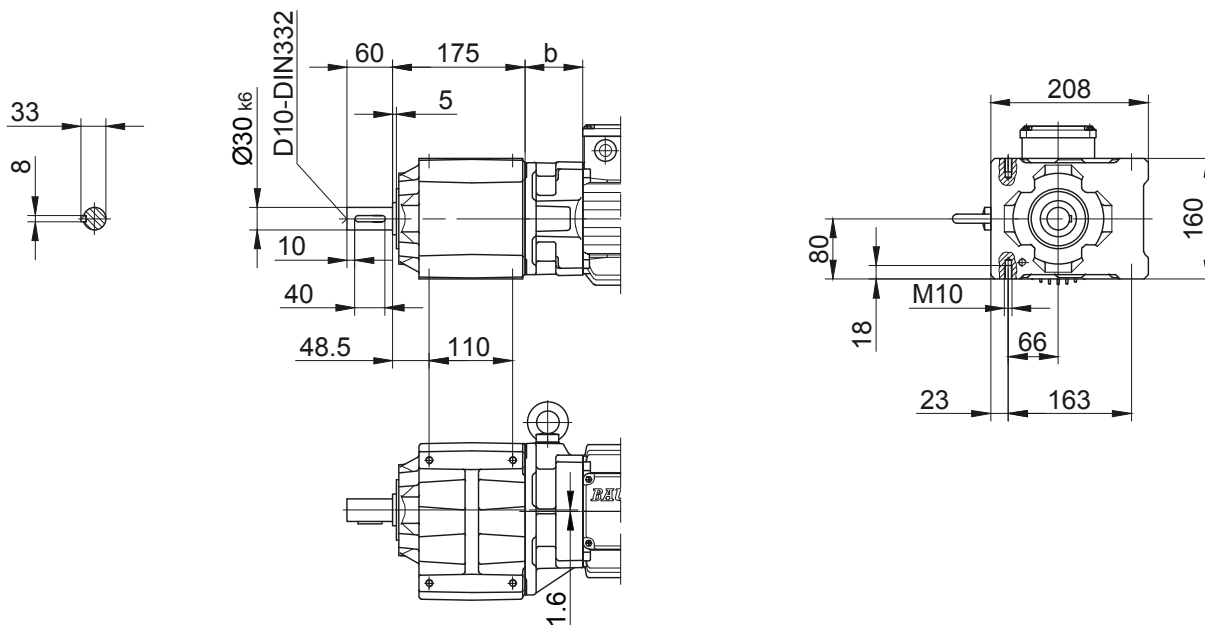
Flange with tapped holes

Code -71/



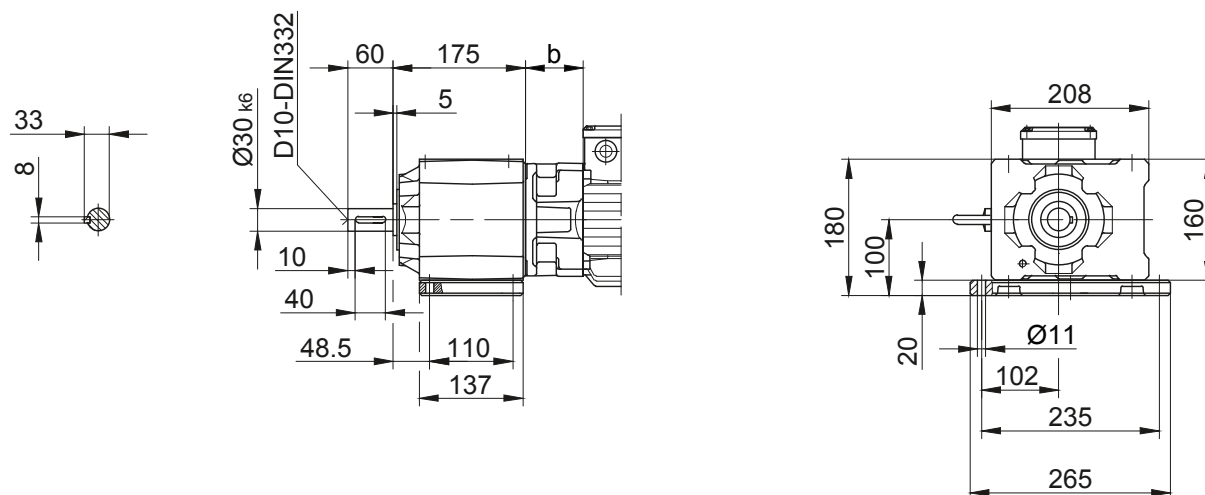
Foot with tapped holes left and right

Code -61LR/



Foot plate left

Code -91L/



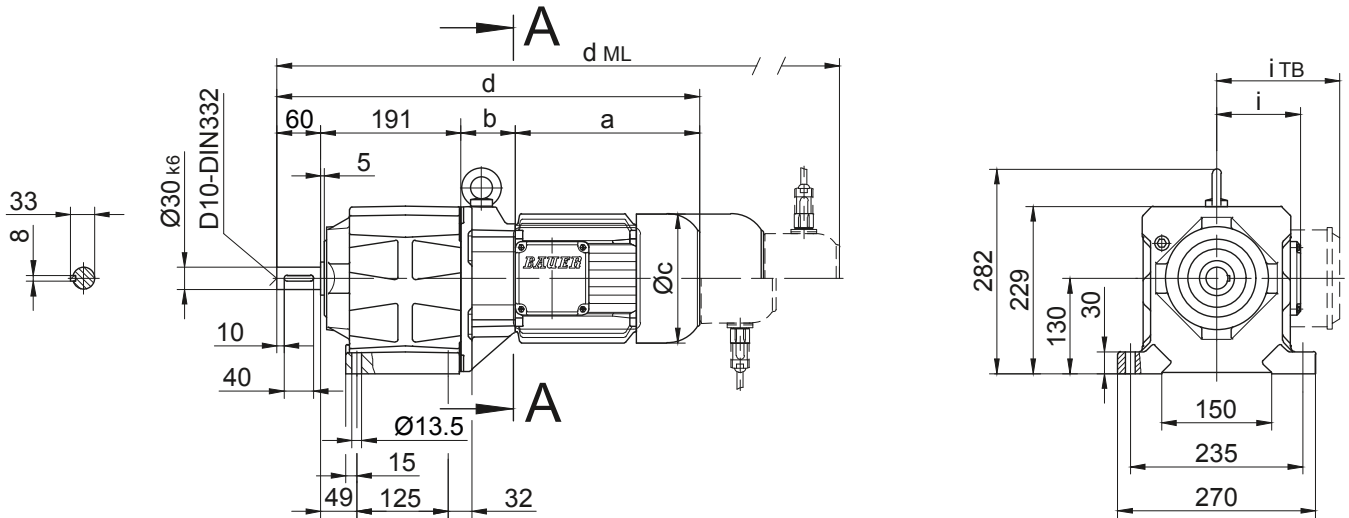
BG-series helical-geared motors

Dimension - Standard

BG40-BG40Z

Foot mounting with clearance holes

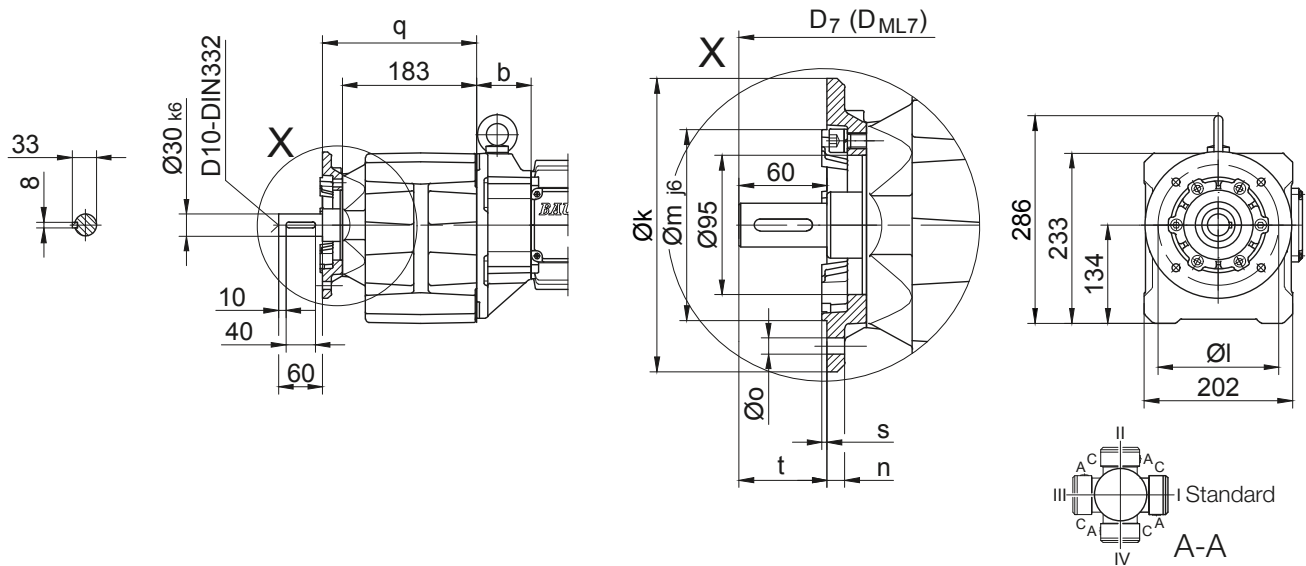
Code -11/



Flange with clearance holes

Code -37/

(Code-47/)



Flange Dimensions

Type	Design	k	l	m	n	o	q	s	t	D ₇	D _{ML7}
BG40..	Code -37/	200	165	130	12	11	210	3.5	60	d+19	d _{ML} +19
BG40..	Code -47/	250	215	180	16	13.5	219	4	51	d+19	d _{ML} +19

Dimensions in millimetres (mm)

Type	a	b	c	d	i	Design with motor extensions				
						i _{TB}	Brake	Encoder	Brake with Encoder	Back Stop
							d _{ML}	d _{ML}	d _{ML}	d _{ML}
BG40Z-../D..05.A.	170.5	138.5	123	560	101	117	602	662.5	700	-
BG40Z-../D..06.A.	170.5	138.5	123	560	99	119	602	662.5	700	-
BG40Z-../D..07.A.	190.5	138.5	123	580	99	119	622	682.5	720	-
BG40-../D..08.A.	199.5	60	156	510.5	114.5	136.5	576.5	622.5	684	576.5
BG40Z-../D..08.A.	199.5	142.5	156	593	114.5	136.5	659	705	766.5	659
BG40-../D..08.B.	229.5	60	156	540.5	114.5	136.5	606.5	652.5	713.5	606.5
BG40Z-../D..08.B.	229.5	142.5	156	623	114.5	136.5	689	735	796	689
BG40-../D..09.A.	250.5	74.5	176	576	124	157	669	683.5	773	669
BG40Z-../D..09.A.	250.5	157	176	658.5	124	157	751.5	766	855.5	751.5
BG40-../D..09.B.	308.5	74.5	176	634	124	157	727	741	831	727
BG40Z-../D..09.B.	308.5	157	176	716.5	124	157	809.5	823.5	913.5	809.5
BG40-../D..11.A.	319	81	218	651	165	176	749	758.5	851	749
BG40-../D..11.B.	387	81	218	719	165	176	815	826.5	919	815

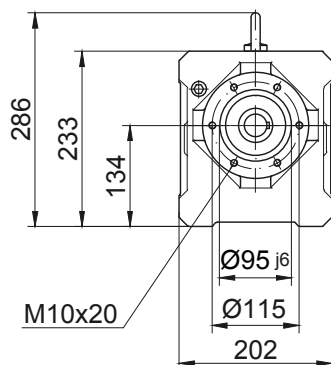
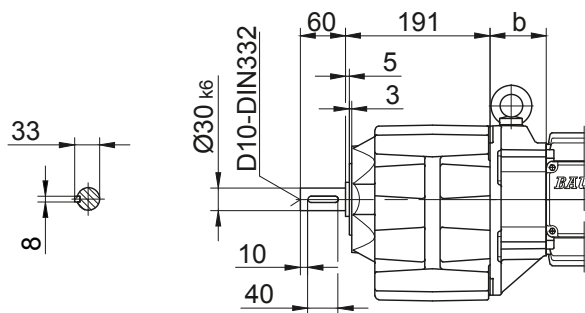
Dimensions in millimetres (mm)

The actual gearbox design can vary from the geometry shown. Generate drive specific 3D and 2D geometries under www.BauerCat.com.

BG40-BG40Z

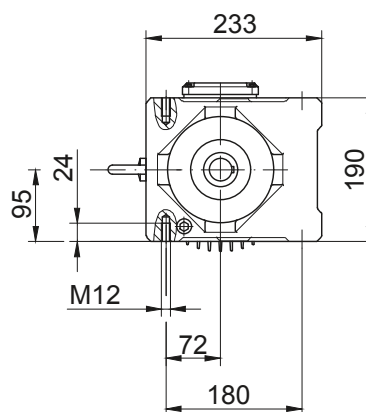
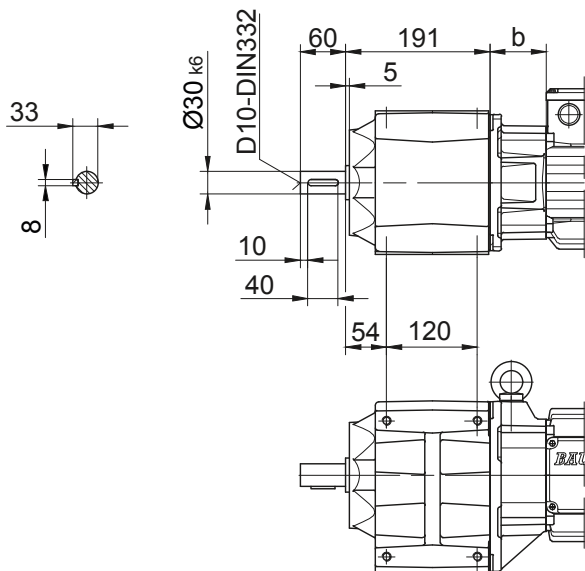
Flange with tapped holes

Code -71/



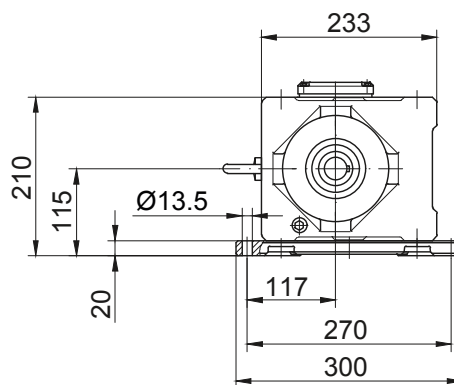
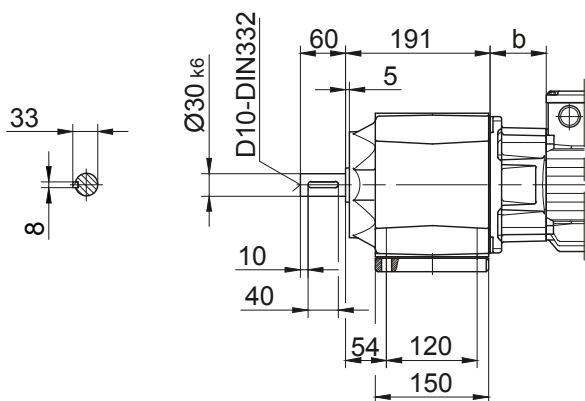
Foot with tapped holes left and right

Code -61LR/



Foot plate left

Code -91L/



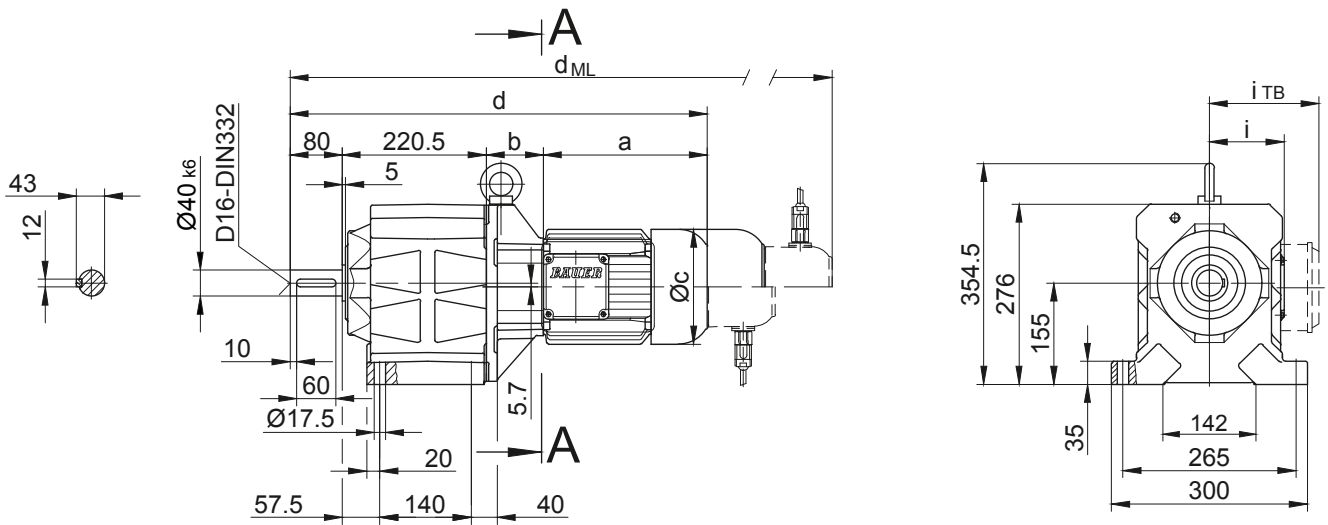
BG-series helical-geared motors

Dimension - Standard

BG50-BG50Z

Foot mounting with clearance holes

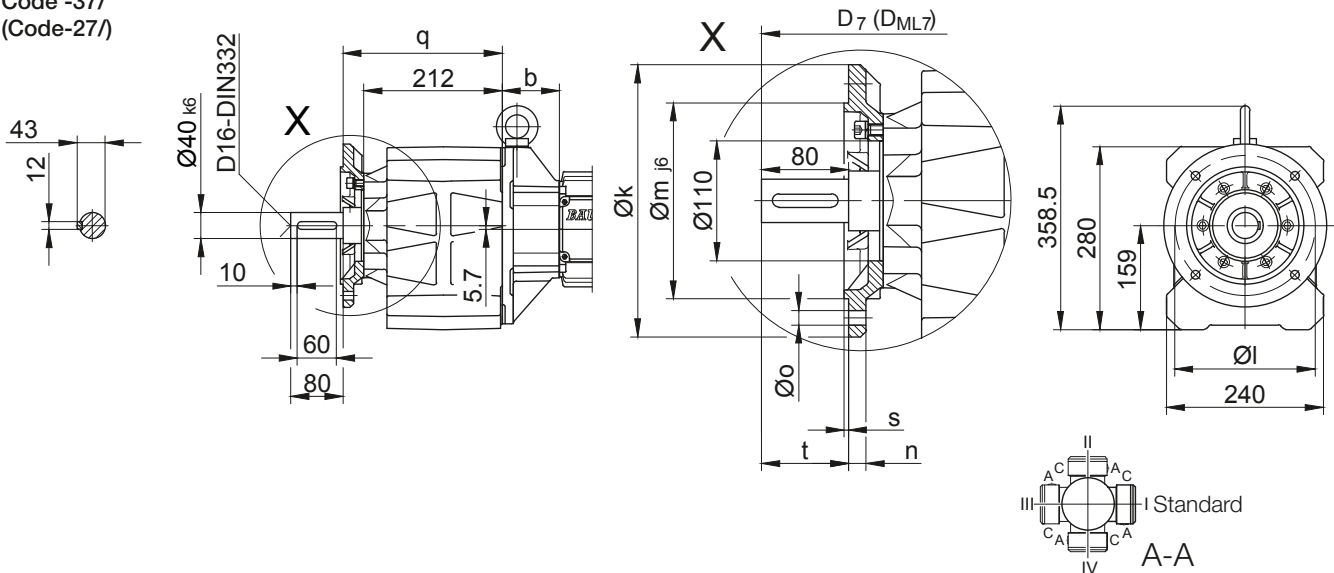
Code -11/



Flange with clearance holes

Code -37/

(Code-27/)



Flange Dimensions

Type	Design	k	l	m	n	o	q	s	t	D ₇	D _{ML7}
BG50..	Code -37/	250	215	180	16	13.5	244	4	80	d+23.5	d _{ML} +23.5
BG50..	Code -27/	200	165	130	12	11	241	3.5	83	d+23.5	d _{ML} +23.5

Dimensions in millimetres (mm)

Type	a	b	c	d	i	Design with motor extensions				
						i _{TB}	Brake	Encoder	Brake with Encoder	Back Stop
							d _{ML}	d _{ML}	d _{ML}	d _{ML}
BG50Z-../D..05.A.	170.5	155	123	626	101	117	668	728.5	766	-
BG50Z-../D..06.A.	170.5	155	123	626	99	119	668	728.5	766	-
BG50Z-../D..07.A.	190.5	155	123	646	99	119	688	748.5	786	-
BG50-../D..08.A.	199.5	73	156	573	114.5	136.5	639	685	746.5	639
BG50Z-../D..08.A.	199.5	159	156	659	114.5	136.5	725	771	832.5	725
BG50-../D..08.B.	229.5	73	156	603	114.5	136.5	669	715	776	669
BG50Z-../D..08.B.	229.5	159	156	689	114.5	136.5	755	801	862	755
BG50-../D..09.A.	250.5	87.5	176	638.5	124	157	731.5	746	835.5	731.5
BG50Z-../D..09.A.	250.5	173.5	176	724.5	124	157	817.5	832	921.5	817.5
BG50-../D..09.B.	308.5	87.5	176	696.5	124	157	789.5	803.5	893.5	789.5
BG50Z-../D..09.B.	308.5	173.5	176	782.5	124	157	875.5	889.5	979.5	875.5
BG50-../D..11.A.	319	94	218	713.5	165	176	811.5	821	913.5	811.5
BG50-../D..11.B.	387	94	218	781.5	165	176	877.5	889	981.5	877.5
BG50-../D..13.A.	393	107	258	800.5	217	217	911.5	907.5	1012.5	908.5
BG50-../D..16.B.	454.5	121	310	876	243	243	1019.5	983	1123	1019.5
BG50-../D..18.B.	542	143	348	985.5	288	288	1135	1091	1238.5	1135

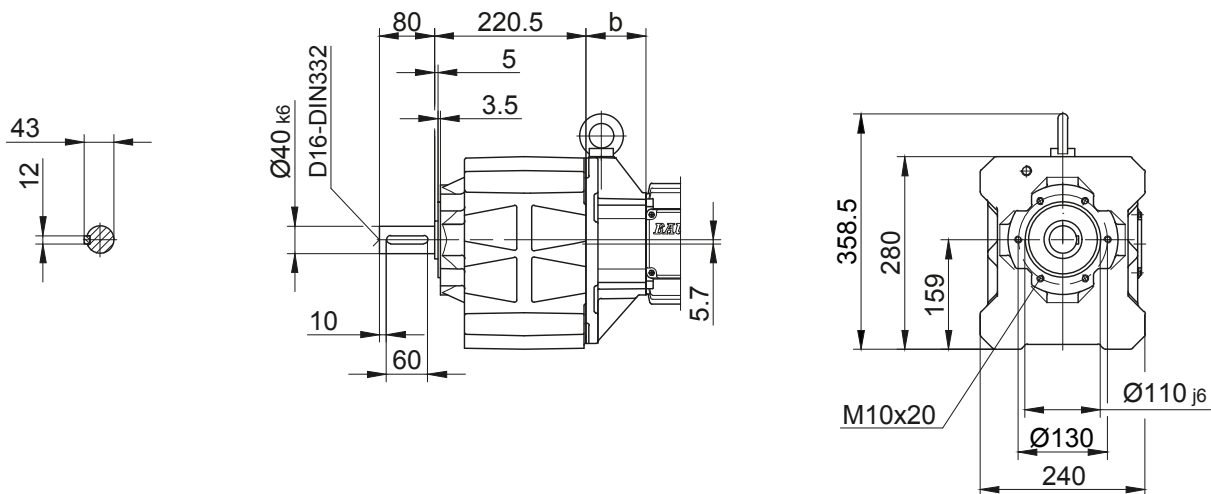
Dimensions in millimetres (mm)

The actual gearbox design can vary from the geometry shown. Generate drive specific 3D and 2D geometries under www.BauerCat.com.

BG50-BG50Z

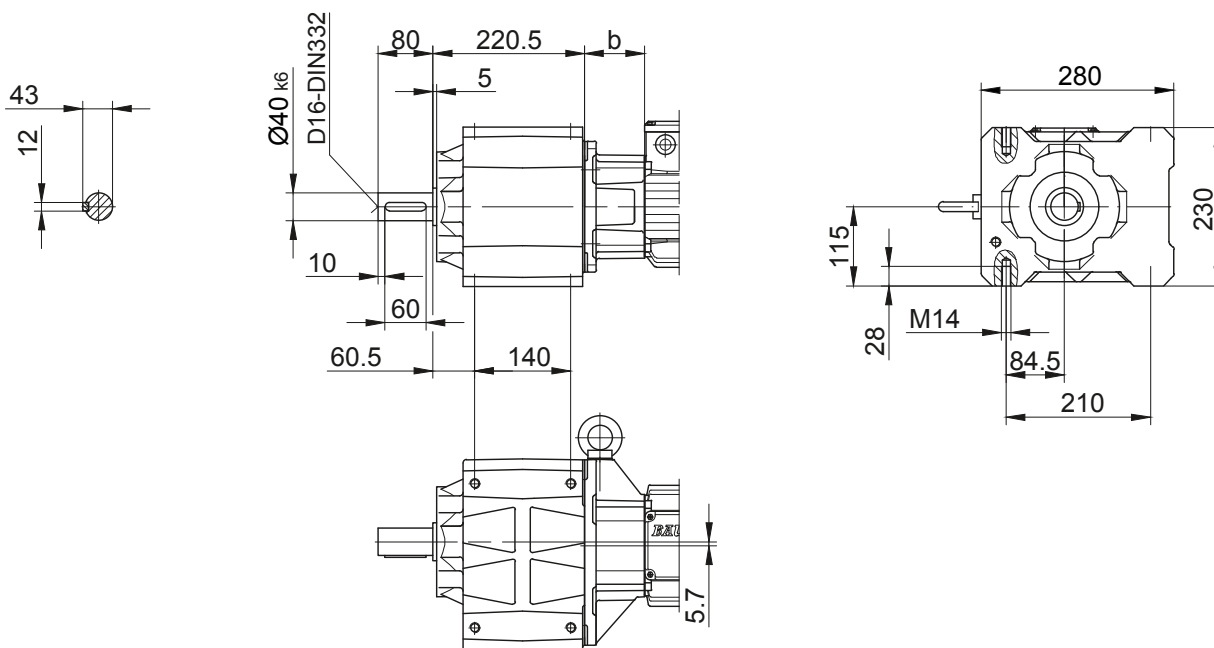
Flange with tapped holes

Code -71/



Foot with tapped holes left and right

Code -61LR/



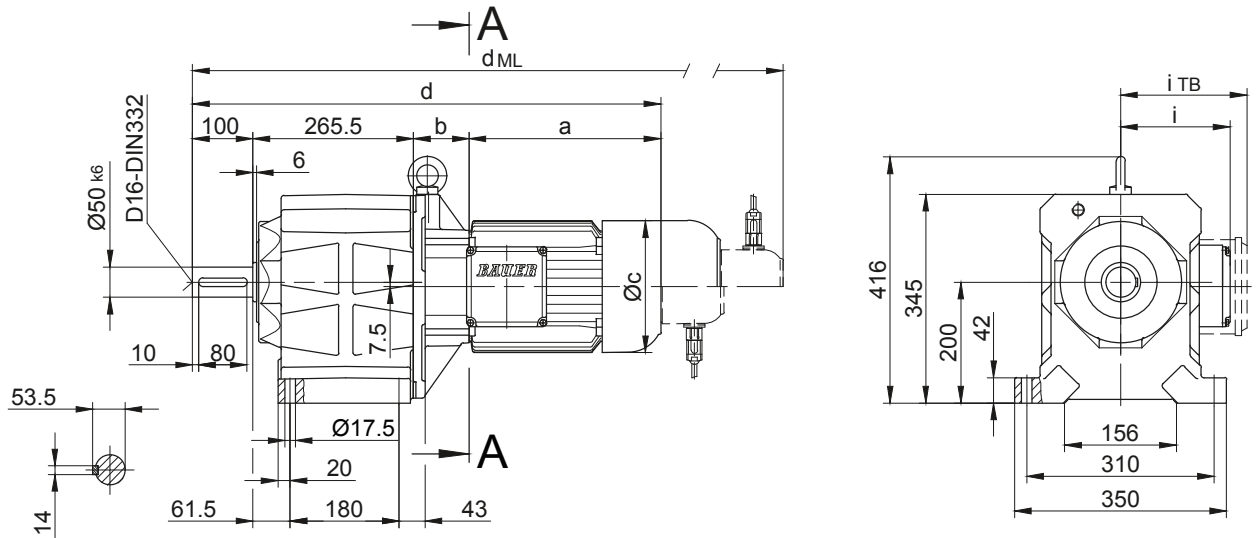
BG-series helical-geared motors

Dimension - Standard

BG60-BG60Z

Foot mounting with clearance holes

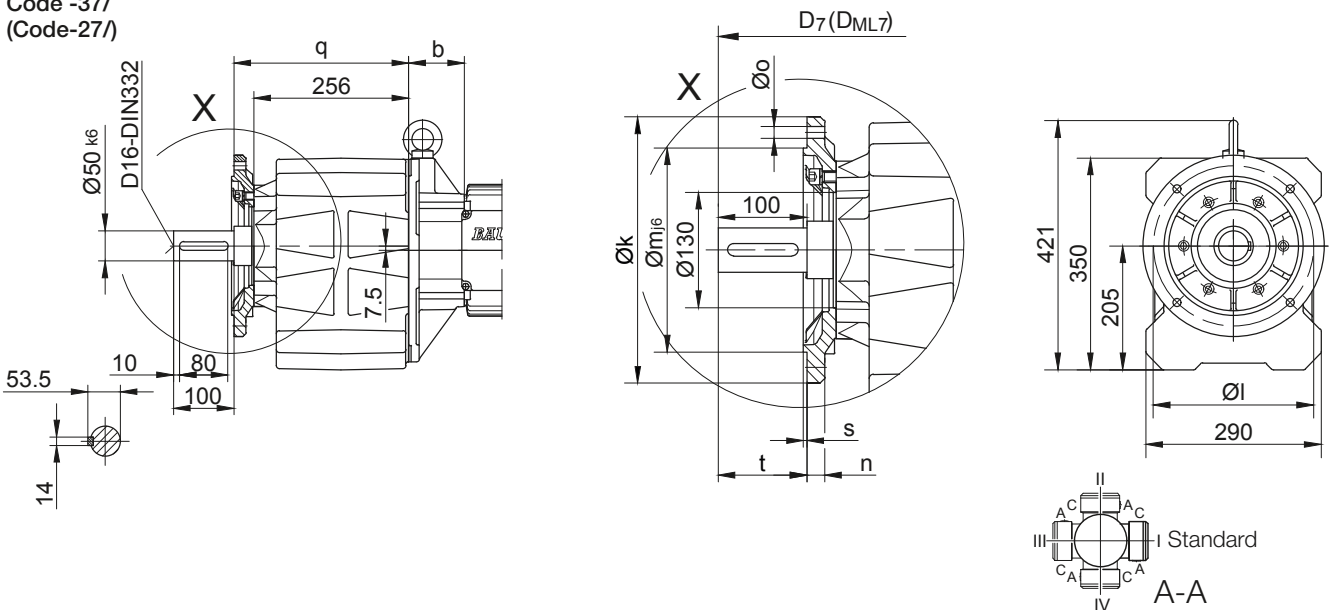
Code -11/



Flange with clearance holes

Code -37/

(Code-27/)



Flange Dimensions

Type	Design	k	l	m	n	o	q	s	t	D ₇	D _{ML7}
BG60..	Code -37/	300	265	230	20	13.5	289	4	100	d+23.5	d _{ML} +23.5
BG60..	Code -27/	250	215	180	16	13.5	286	4	103	d+23.5	d _{ML} +23.5

Dimensions in millimetres (mm)

Type	a	b	c	d	i	Design with motor extensions				
						i _{TB}	Brake	Encoder	Brake with Encoder	Back Stop
							d _{ML}	d _{ML}	d _{ML}	d _{ML}
BG60Z-../D..08.A.	199.5	181	156	746	114.5	136.5	812	858	919.5	812
BG60Z-../D..08.B.	229.5	181	156	776	114.5	136.5	842	888	949	842
BG60-../D..09.A.	250.5	85.5	176	701.5	124	157	794.5	809	898.5	794.5
BG60Z-../D..09.A.	250.5	195.5	176	811.5	124	157	904.5	919	1008.5	904.5
BG60-../D..09.B.	308.5	85.5	176	759.5	124	157	852.5	866.5	956.5	852.5
BG60Z-../D..09.B.	308.5	195.5	176	869.5	124	157	962.5	976.5	1066.5	962.5
BG60-../D..11.A.	319	92	218	776.5	165	176	874.5	884	976.5	874.5
BG60Z-../D..11.A.	319	202	218	886.5	165	176	984.5	994	1086.5	984.5
BG60-../D..11.B.	387	92	218	844.5	165	176	940.5	952	1044.5	940.5
BG60Z-../D..11.B.	387	202	218	954.5	165	176	1050.5	1062	1154.5	1050.5
BG60-../D..13.A.	393	105	258	863.5	217	217	974.5	970.5	1075.5	971.5
BG60-../D..16.B.	454.5	119	310	939	243	243	1082.5	1046	1186	1082.5
BG60-../D..18.B.	542	141	348	1048.5	288	288	1198	1154	1301.5	1198

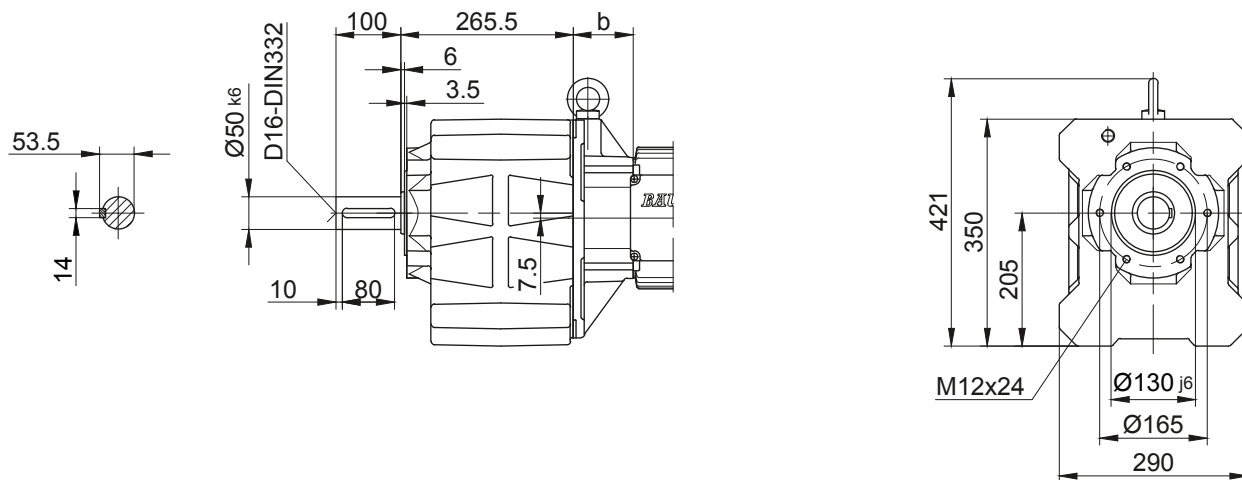
Dimensions in millimetres (mm)

The actual gearbox design can vary from the geometry shown. Generate drive specific 3D and 2D geometries under www.BauerCat.com.

BG60-BG60Z

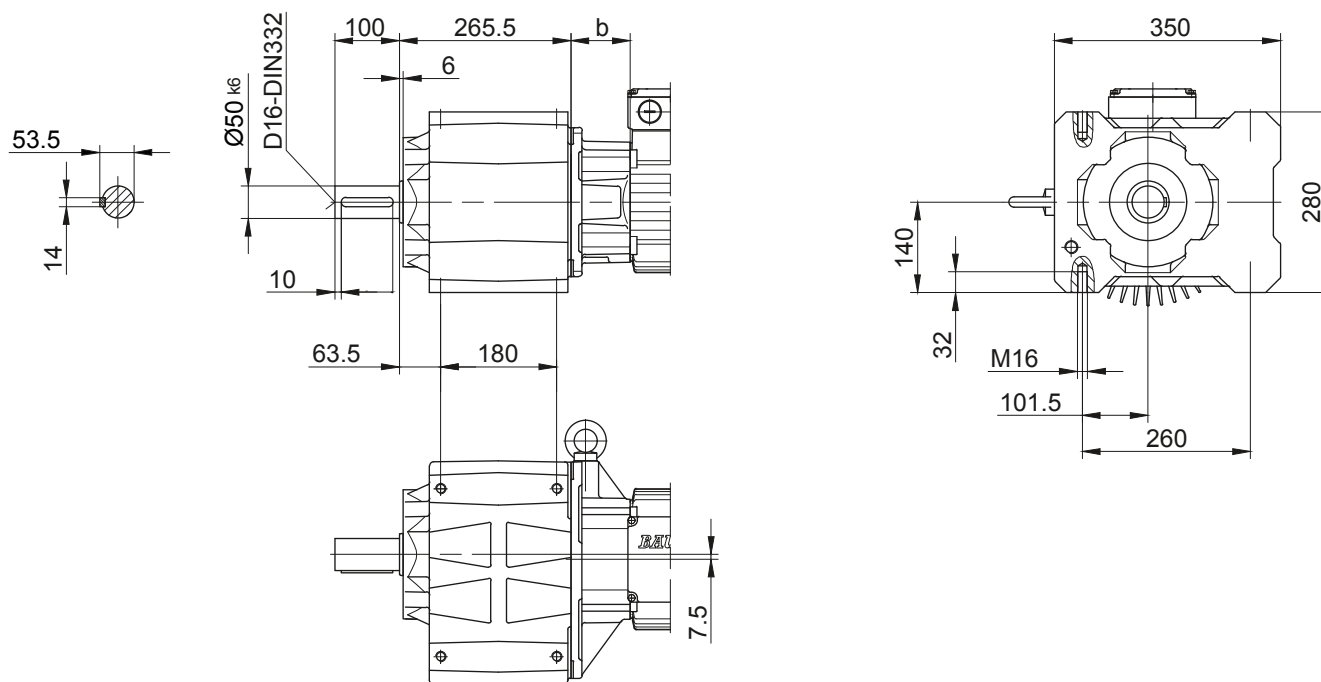
Flange with tapped holes

Code -71/



Foot with tapped holes left and right

Code -61LR/



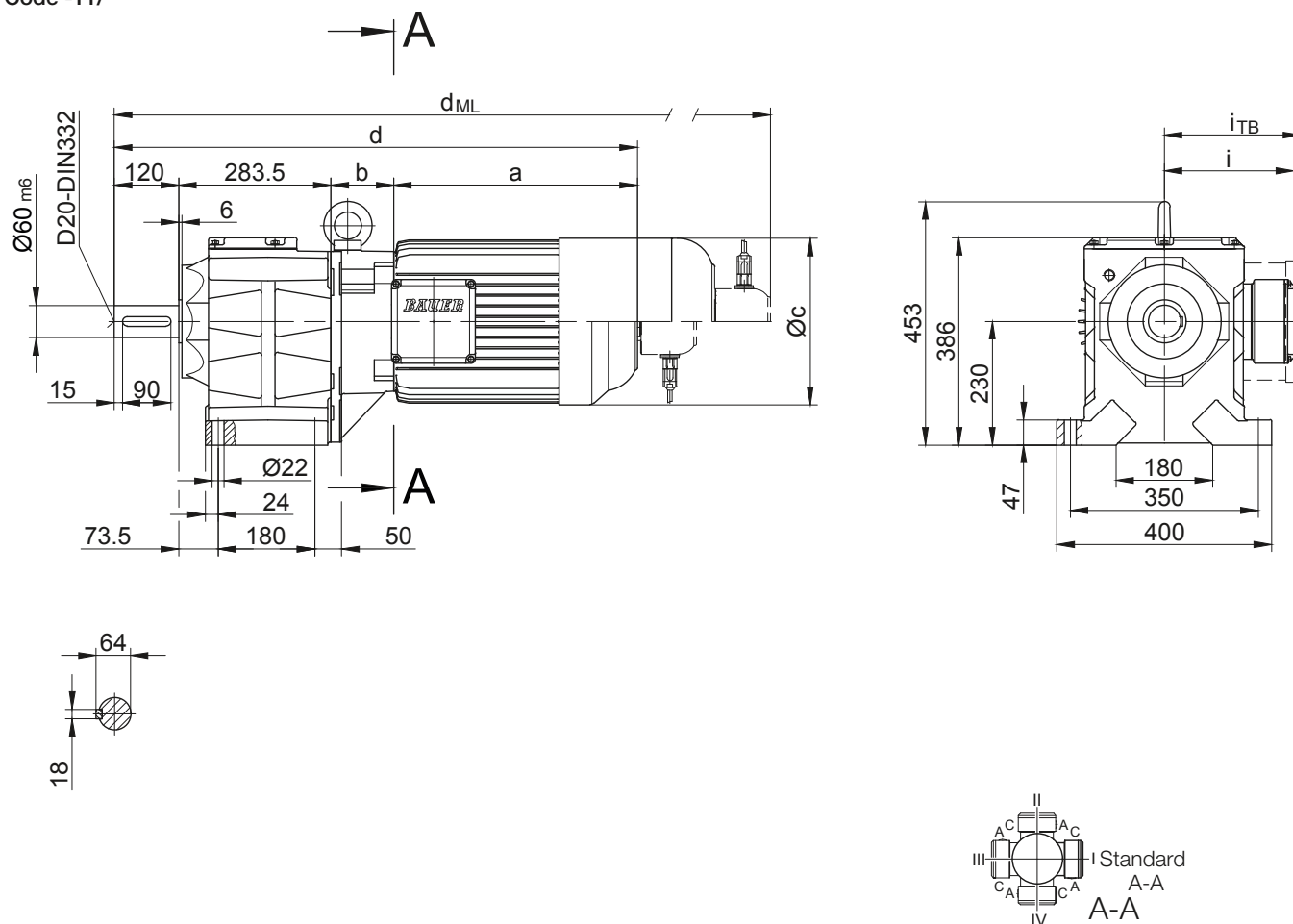
BG-series helical-geared motors

Dimension - Standard

BG70-BG70Z

Foot mounting with clearance holes

Code -11/



10

Type	a	b	c	d	i	Design with motor extensions				
						i _{TB}	Brake	Encoder	Brake with Encoder	Back Stop
							d _{ML}	d _{ML}	d _{ML}	d _{ML}
BG70Z-../D..08.A.	199.5	202	156	805	114.5	136.5	871	917	978.5	871
BG70Z-../D..08.B.	229.5	202	156	835	114.5	136.5	901	947	1008	901
BG70-../D..09.A.	250.5	83.5	176	737.5	124	157	830.5	845	934.5	830.5
BG70Z-../D..09.A.	250.5	216.5	176	870.5	124	157	963.5	978	1067.5	963.5
BG70-../D..09.B.	308.5	83.5	176	795.5	124	157	888.5	902.5	992.5	888.5
BG70Z-../D..09.B.	308.5	216.5	176	928.5	124	157	1021.5	1035.5	1125.5	1021.5
BG70-../D..11.A.	319	90	218	812.5	165	176	910.5	920	1012.5	910.5
BG70Z-../D..11.A.	319	223	218	945.5	165	176	1043.5	1053	1145.5	1043.5
BG70-../D..11.B.	387	90	218	880.5	165	176	976.5	988	1080.5	976.5
BG70Z-../D..11.B.	387	223	218	1013.5	165	176	1109.5	1121	1213.5	1109.5
BG70-../D..13.A.	393	103	258	899.5	217	217	1010.5	1006.5	1111.5	1007.5
BG70Z-../D..13.A.	393	236	258	1032.5	217	217	1143.5	1139.5	1244.5	1140.5
BG70-../D..16.B.	454.5	117	310	975	243	243	1118.5	1082	1222	1118.5
BG70Z-../D..16.B.	454.5	250	310	1108	243	243	1251.5	653.5	1355	1251.5
BG70-../D..18.B.	542	139	348	1084.5	288	288	1234	1190	1337.5	1234
BG70Z-../D..18.B.	542	272	348	1217.5	288	288	1367	1323	1470.5	1367
BG70-../D..20.A.	703.5	156	363	1263	280	280	1390.5	1368.5	1496	1263
BG70-../D..22.A.	703.5	156	363	1263	280	280	1390.5	1368.5	1496	1263

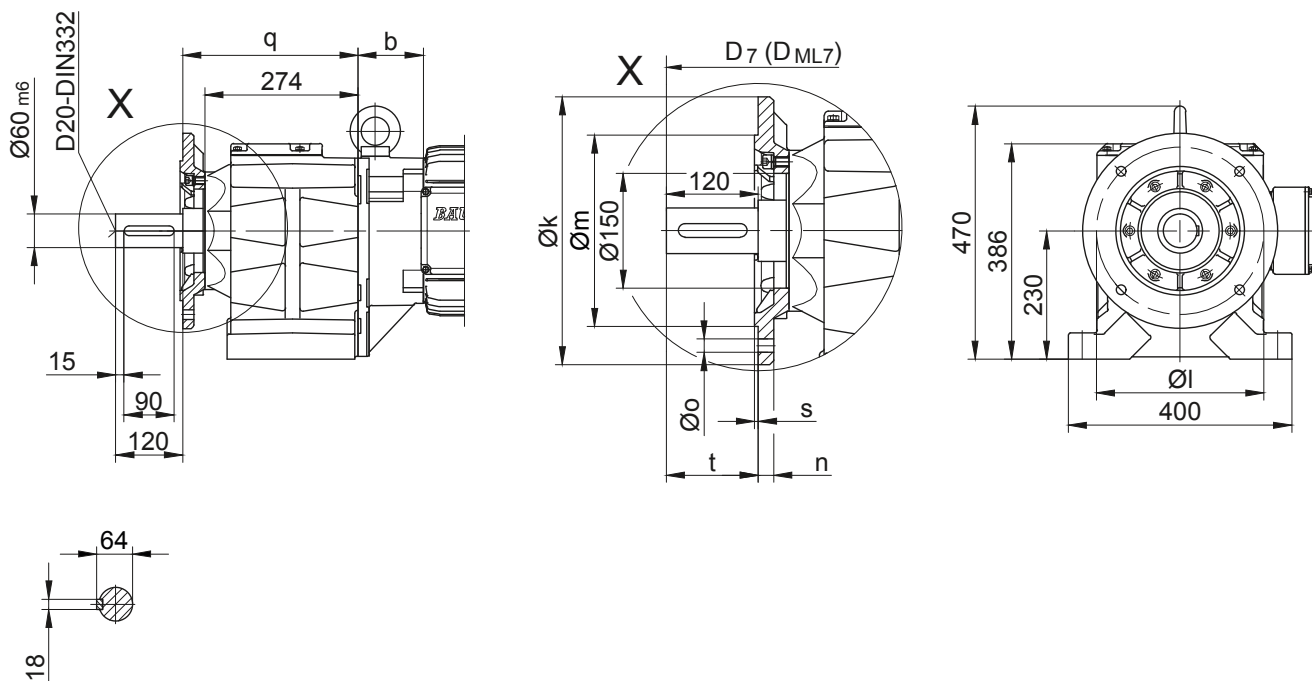
Dimensions in millimetres (mm)

The actual gearbox design can vary from the geometry shown. Generate drive specific 3D and 2D geometries under www.BauerCat.com.

BG70-BG70Z

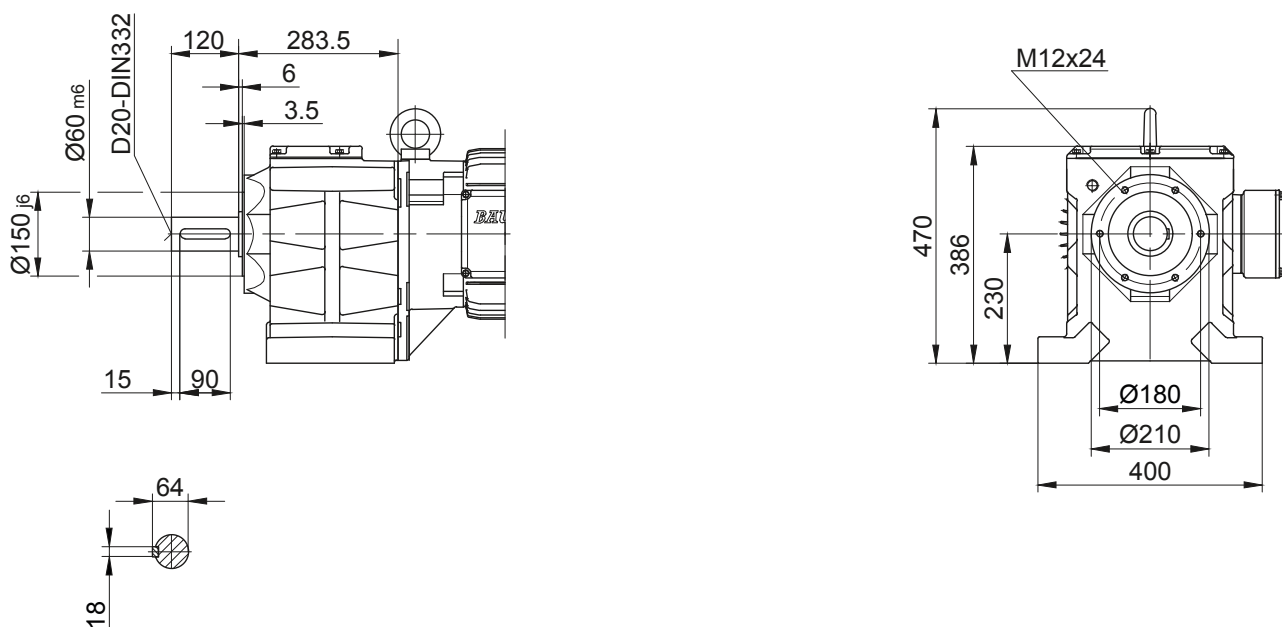
Flange with clearance holes

Code -37/
(Code -27/)



Flange with tapped holes

Code -71/



Flange Dimensions											
Type	Design	k	l	m	n	o	q	s	t	D ₇	D _{ML7}
BG70..	Code -37/	350	300	250	20	17.5	314	5	120	d+30.5	d _{ML} +30.5
BG70..	Code -27/	300	265	230	20	13.5	322	4	112	d+30.5	d _{ML} +30.5

Dimensions in millimetres (mm)

The actual gearbox design can vary from the geometry shown. Generate drive specific 3D and 2D geometries under www.BauerCat.com.

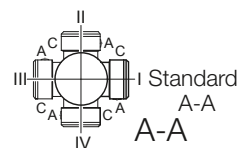
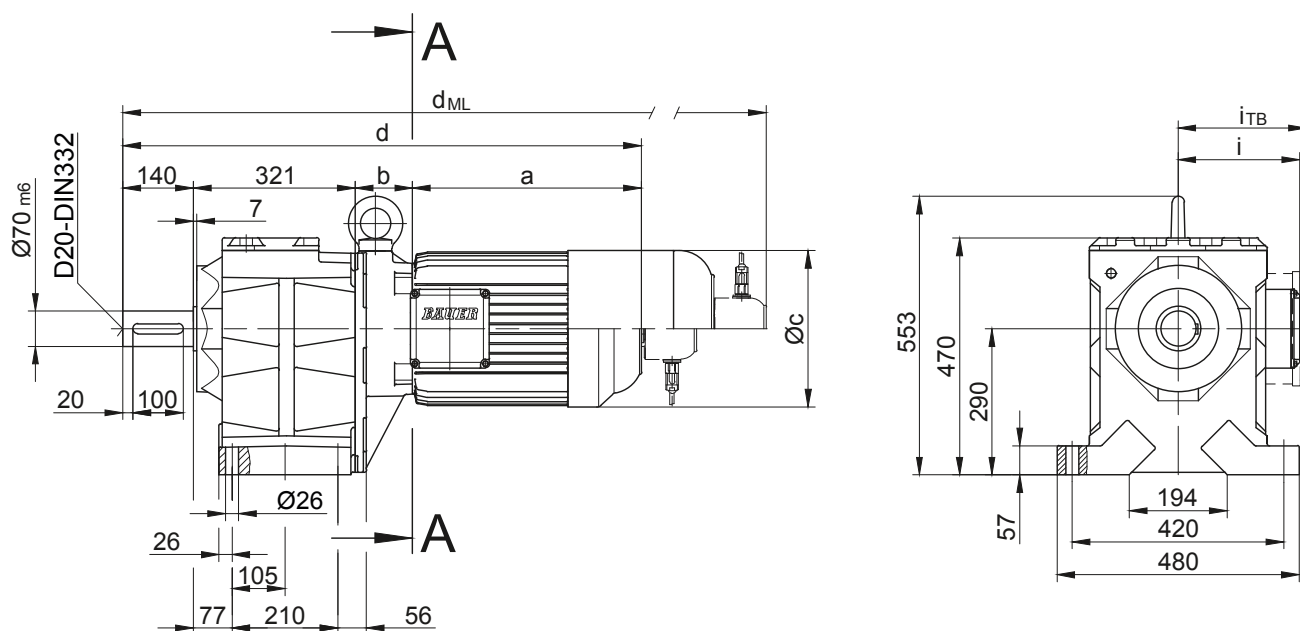
BG-series helical-geared motors

Dimension - Standard

BG80-BG80Z

Foot mounting with clearance holes

Code -11/



Type	a	b	c	d	i	Design with motor extensions				
						i _{TB}	Brake	Encoder	Brake with Encoder	Back Stop
							d _{ML}	d _{ML}	d _{ML}	d _{ML}
BG80Z-../D..09.A.	250.5	252.5	176	964	124	157	1057	1071.5	1161	1057
BG80Z-../D..09.B.	308.5	252.5	176	1022	124	157	1115	1129	1219	1115
BG80-../D..11.A.	319	87	218	867	165	176	965	974.5	1067	965
BG80Z-../D..11.A.	319	259	218	1039	165	176	1137	1146.5	1067	965
BG80-../D..11.B.	387	87	218	935	165	176	1031	1042.5	1135	1031
BG80Z-../D..11.B.	387	259	218	1107	165	176	1203	1214.5	1307	1203
BG80-../D..13.A.	393	100	258	954	217	217	1065	1061	1166	1062
BG80Z-../D..13.A.	393	272	258	1126	217	217	1237	1233	1338	1234
BG80-../D..16.B.	454.5	114	310	1029.5	243	243	1173	1136.5	1276.5	1173
BG80Z-../D..16.B.	454.5	286	310	1201.5	243	243	1345	1308.5	1448.5	1345
BG80-../D..18.B.	542	136	348	1139	288	288	1195	1158.5	1298.5	1195
BG80Z-../D..18.B.	542	308	348	1311	288	288	1367	1330.5	1470.5	1367
BG80-../D..20.A.	703.5	153	363	1317.5	280	280	1445	1423	1550.5	1317.5
BG80-../D..22.A.	703.5	153	363	1317.5	280	280	1445	1423	1550.5	1317.5

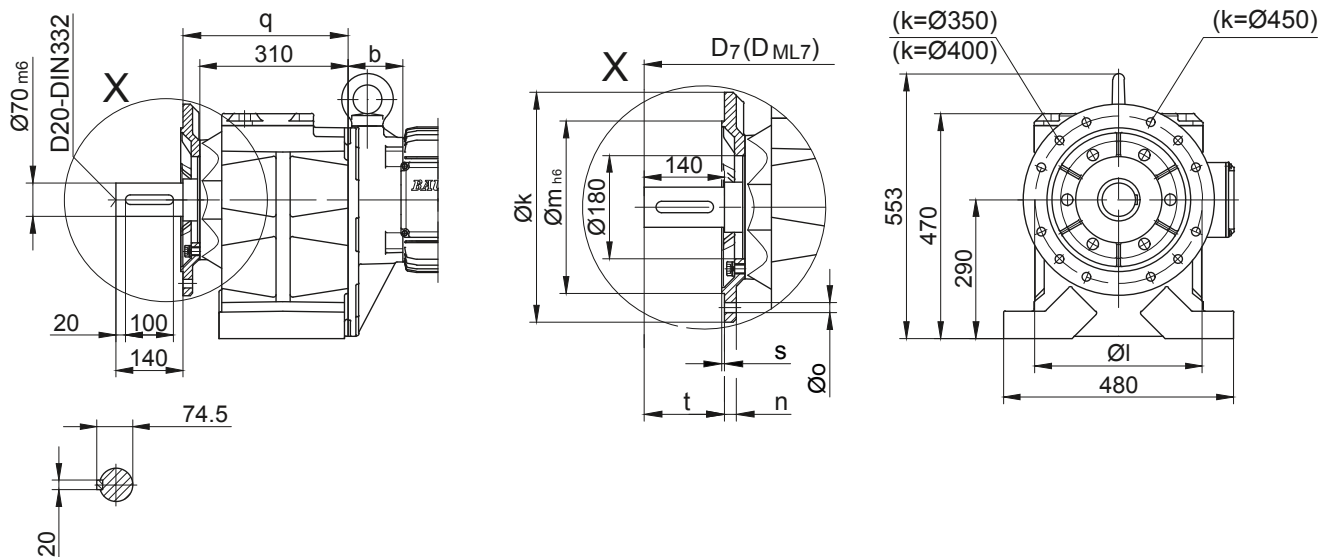
Dimensions in millimetres (mm)

The actual gearbox design can vary from the geometry shown. Generate drive specific 3D and 2D geometries under www.BauerCat.com.

BG80-BG80Z

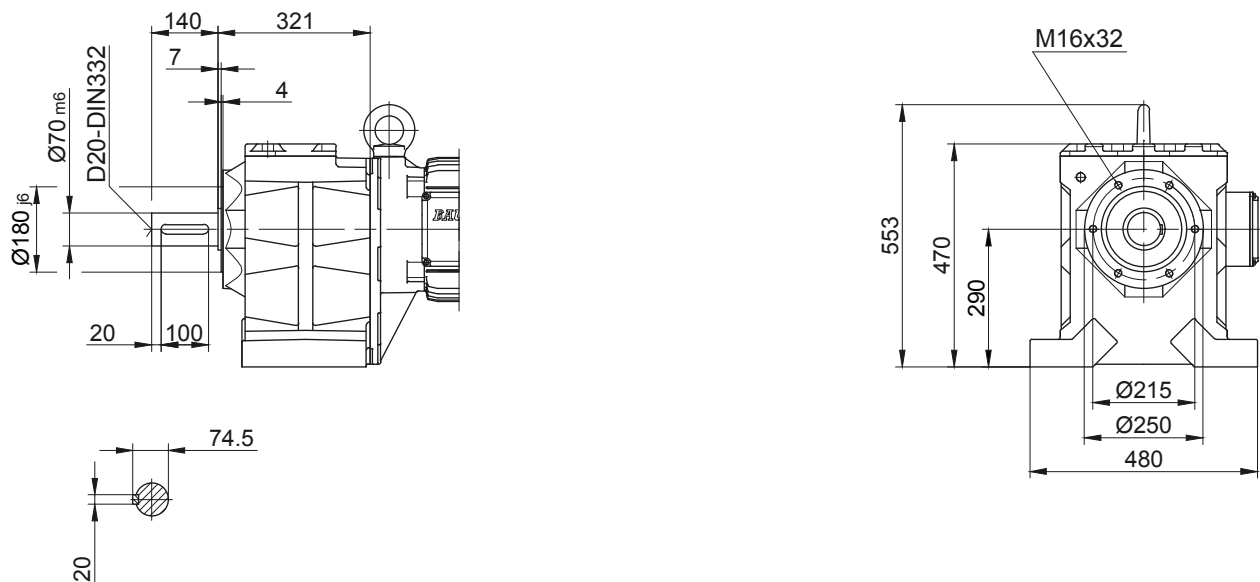
Flange with clearance holes

Code -37/
(Code -27/
(Code -47/)



Flange with tapped holes

Code -71/



10

Flange Dimensions											
Type	Design	k	l	m	n	o	q	s	t	D ₇	D _{ML7}
BG80..	Code -37/	400	350	300	20	4 x 17.5	345	5	140	d+24	d _{ML} +24
BG80..	Code -27/	350	300	250	20	4 x 17.5	345	5	140	d+24	d _{ML} +24
BG80..	Code -47/	450	400	350	22	8 x 17.5	355	5	130	d+24	d _{ML} +24

Dimensions in millimetres (mm)

The actual gearbox design can vary from the geometry shown. Generate drive specific 3D and 2D geometries under www.BauerCat.com.

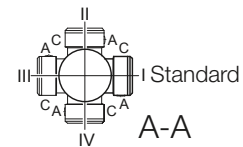
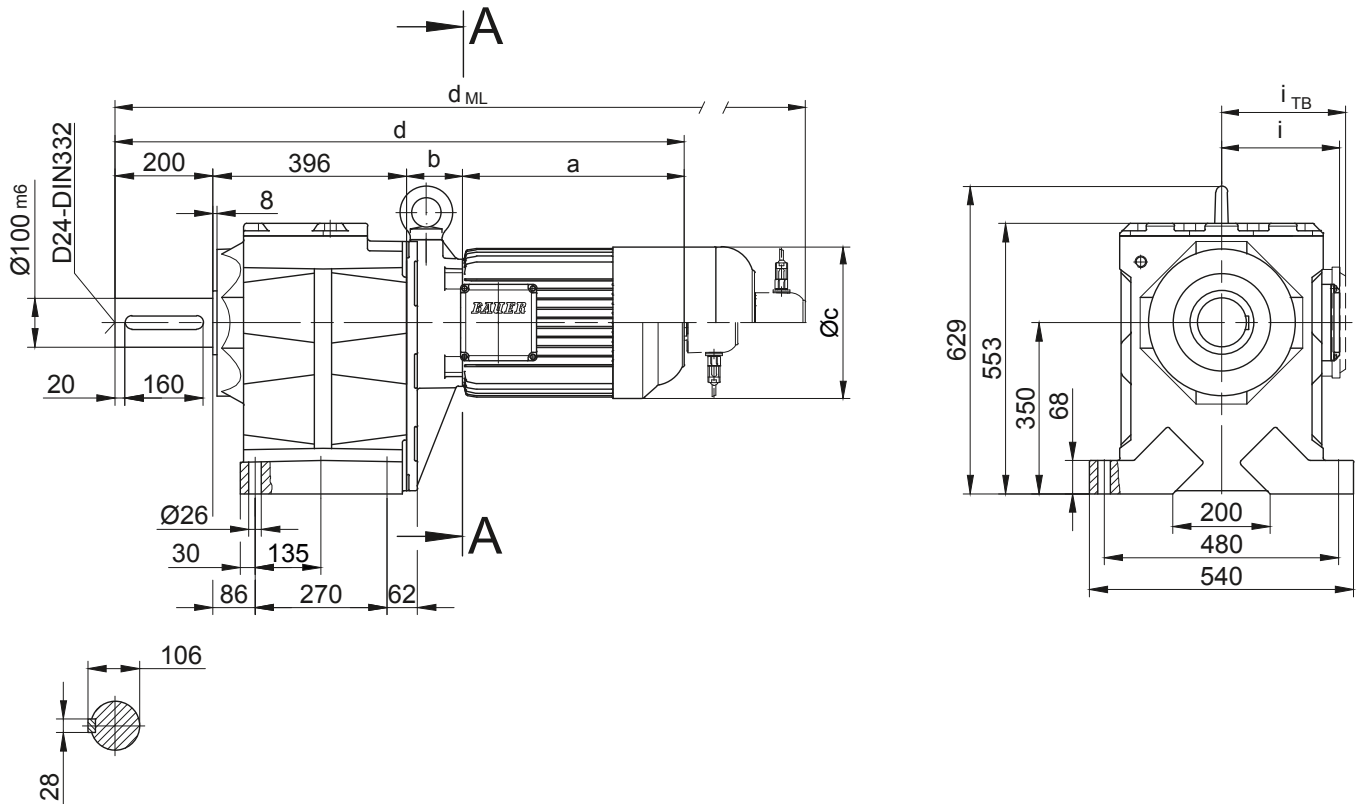
BG-series helical-geared motors

Dimension - Standard

BG90-BG90Z

Foot mounting with clearance holes

Code -11/



10

Type	a	b	c	d	i	Design with motor extensions				
						i _{TB}	Brake	Encoder	Brake with Encoder	Back Stop
							d _{ML}	d _{ML}	d _{ML}	d _{ML}
BG90Z-../D..09.A.	250.5	267	176	1113.5	124	157	1206.5	1221	1310.5	1206.5
BG90Z-../D..09.B.	308.5	267	176	1171.5	124	157	1264.5	1278.5	1368.5	1264.5
BG90Z-../D..11.A.	319	273.5	218	1188.5	165	176	1286.5	1296	1388.5	1286.5
BG90Z-../D..11.B.	387	273.5	218	1256.5	165	176	1352.5	1364	1456.5	1352.5
BG90-../D..13.A.	393	100	258	1089	217	217	1200	1196	1301	1197
BG90Z-../D..13.A.	393	286.5	258	1275.5	217	217	1386.5	1382.5	1487.5	1383.5
BG90-../D..16.B.	454.5	114	310	1164.5	243	243	1308	1271.5	1411.5	1308
BG90Z-../D..16.B.	454.5	300.5	310	1351	243	243	1494.5	1458	1598	1494.5
BG90-../D..18.B.	542	136	348	1274	288	288	1423.5	1379.5	1527	1423.5
BG90Z-../D..18.B.	542	322.5	348	1460.5	288	288	1610	1566	1713.5	1610
BG90-../D..20.A.	703.5	153	363	1452.5	280	280	1580	1498	1685.5	1452.5
BG90-../D..22.A.	703.5	153	363	1452.5	280	280	1580	1558	1685.5	1452.5

Dimensions in millimetres (mm)

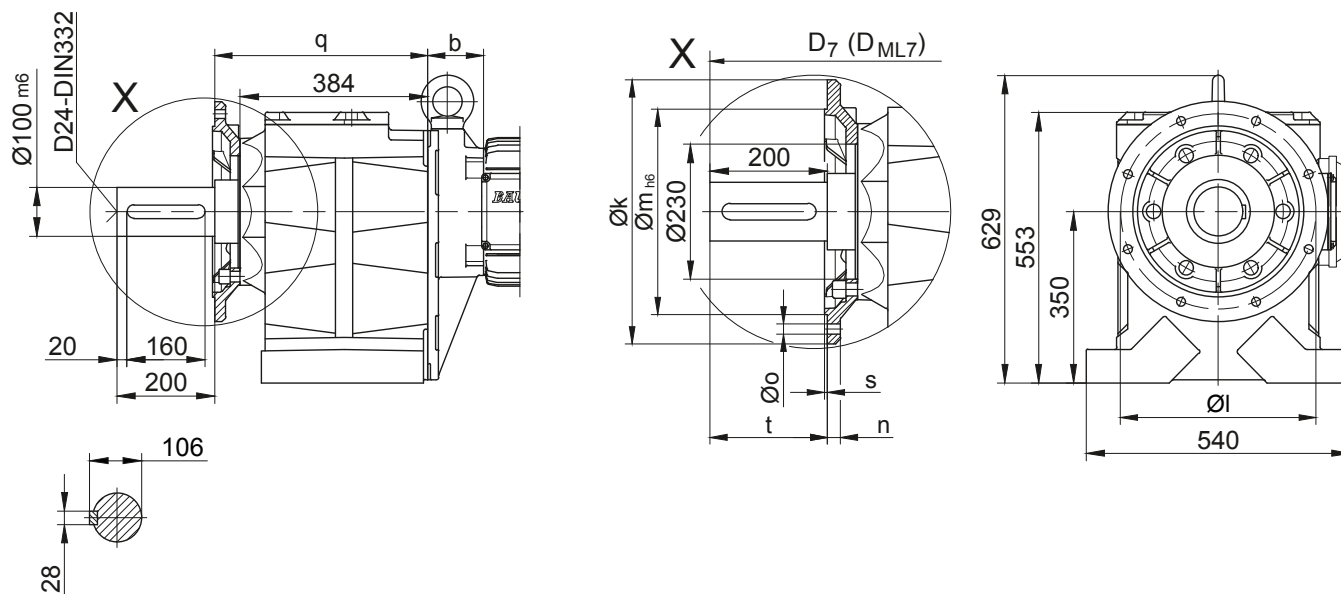
The actual gearbox design can vary from the geometry shown. Generate drive specific 3D and 2D geometries under www.BauerCat.com.

BG90-BG90Z

Flange with clearance holes

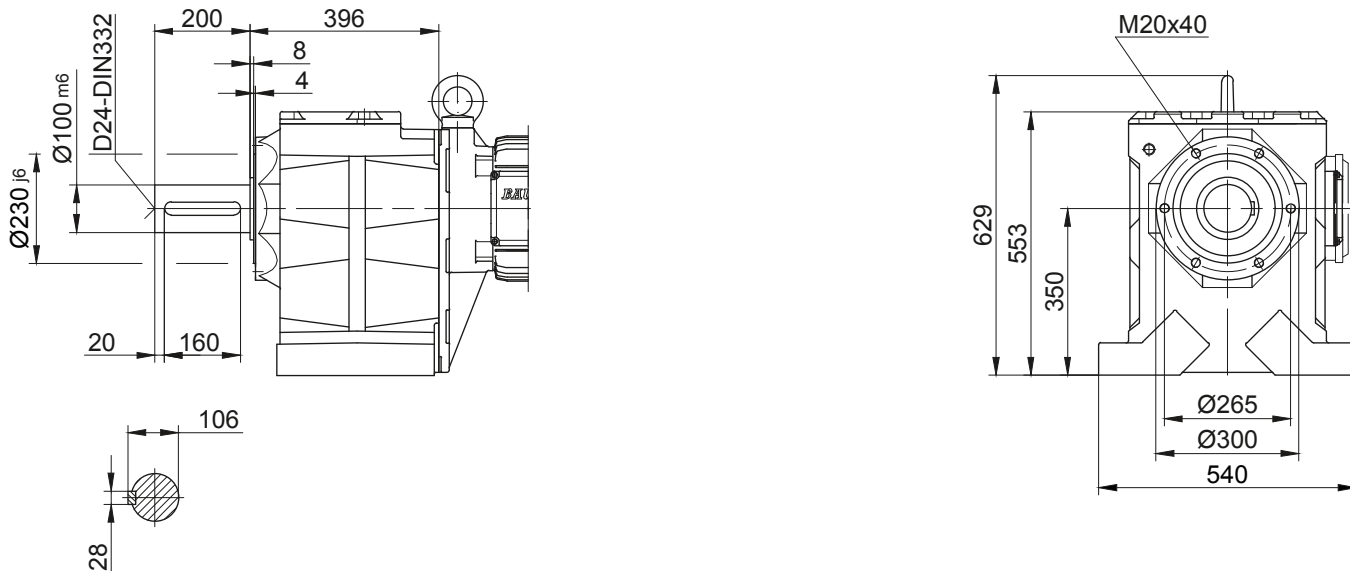
Code -37/

(Code -47/)



Flange with tapped holes

Code -71/



Flange Dimensions											
Type	Design	k	l	m	n	o	q	s	t	D ₇	D _{ML7}
BG90..	Code -37/	450	400	350	22	17.5	439	5	200	d+43	d _{ML} +43
BG90..	Code -47/	550	500	450	22	17.5	444	5	195	d+43	d _{ML} +43

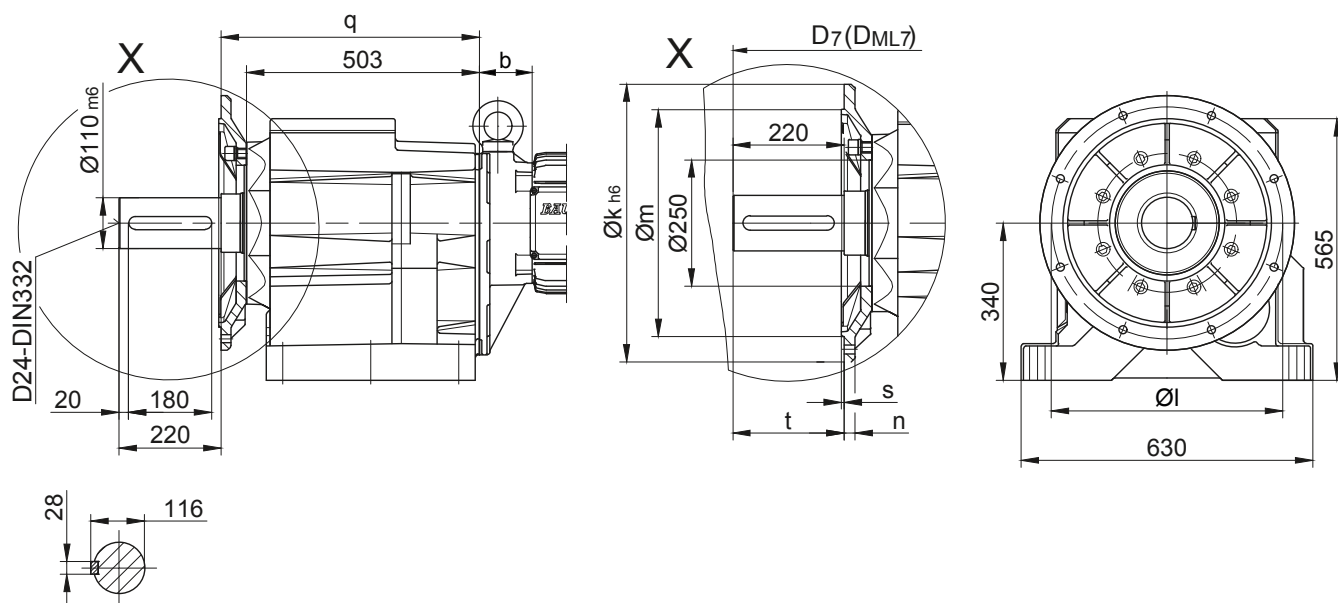
Dimensions in millimetres (mm)

The actual gearbox design can vary from the geometry shown. Generate drive specific 3D and 2D geometries under www.BauerCat.com.

BG100-BG100Z

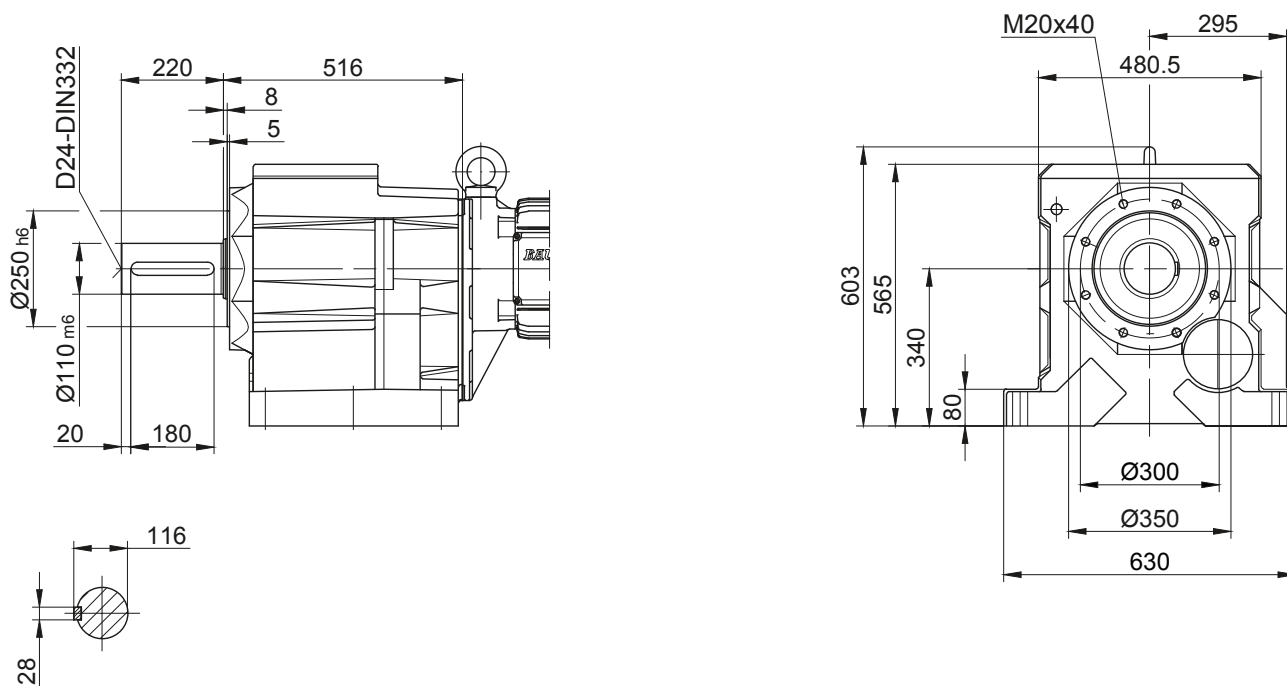
Flange with clearance holes

Code -37/
(Code -47/)



Flange with tapped holes

Code -71/



Flange Dimensions											
Type	Design	k	l	m	n	o	q	s	t	D ₇	D _{ML7}
BG100..	Code -37/	550	500	450	22	17.5	558	5	220	d+42	d _{ML} +42
BG100..	Code -47/	660	600	550	25	22	552	6	226	d+42	d _{ML} +42

Dimensions in millimetres (mm)

The actual gearbox design can vary from the geometry shown. Generate drive specific 3D and 2D geometries under www.BauerCat.com.

Energy Efficient Geared Motors

AC Line Operated / European Union

10

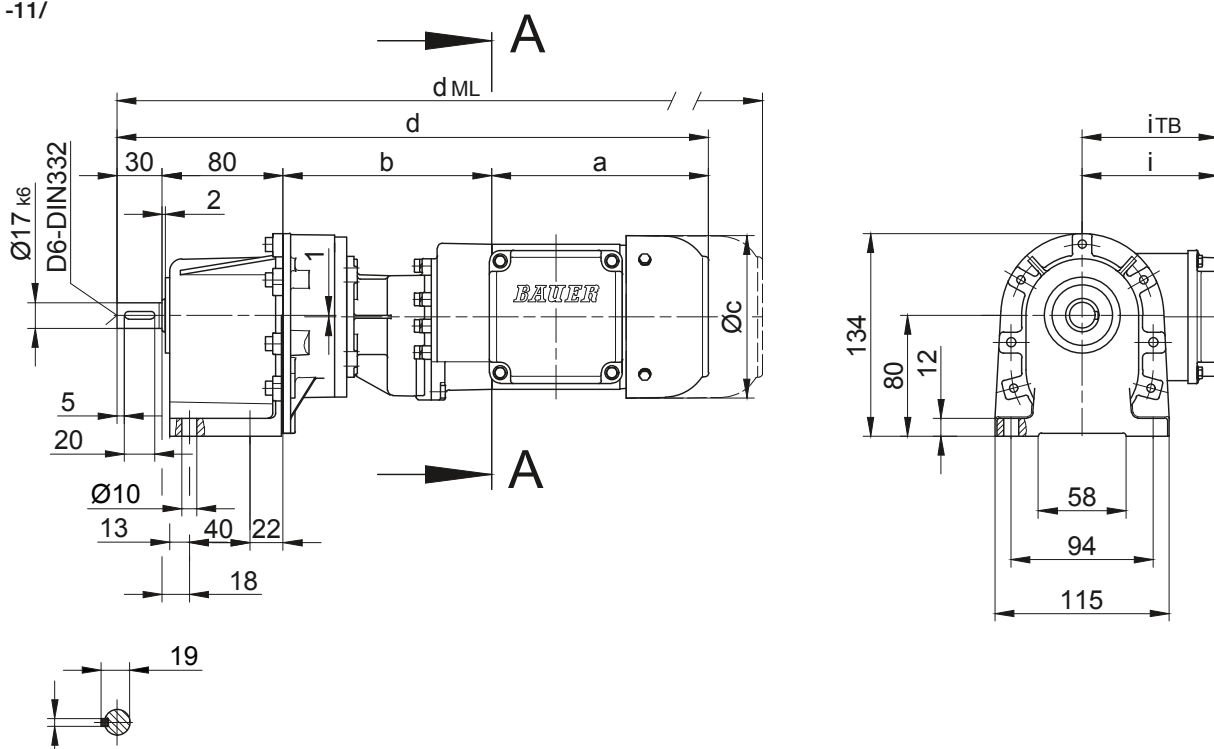
BG-series helical-geared motors

Dimension - Tandem Gearbox

BG06G04

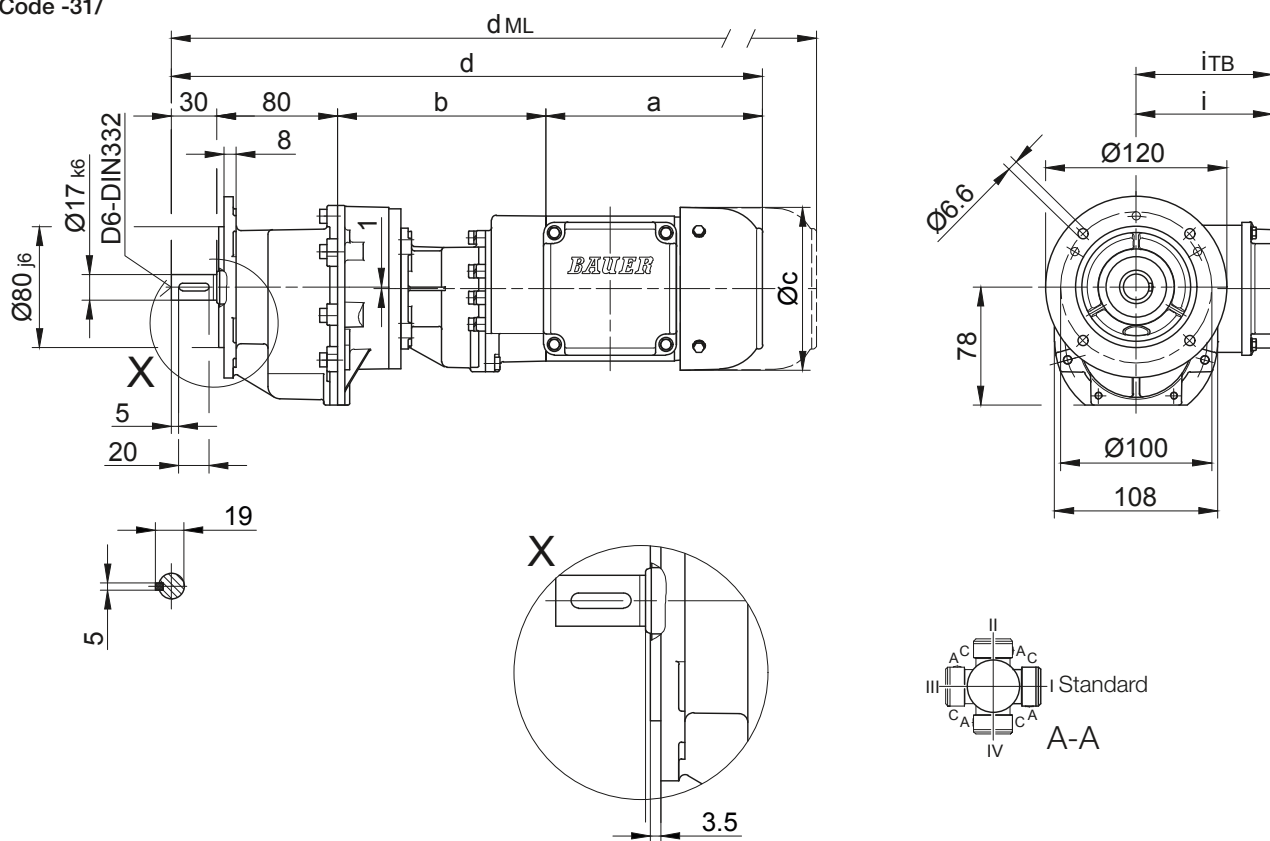
Foot mounting

Code -11/



Flange with clearance holes

Code -31/



10

Type	a	b	c	d	i	Design with motor extensions				
						i_{TB}	Brake	Encoder	Brake with Encoder	Back Stop
							d_{ML}	d_{ML}	d_{ML}	d_{ML}
BG06G04-../D04.A.	142.5	134	110.5	386.5	90	112	430	474	517.5	-

Dimensions in millimetres (mm)

The actual gearbox design can vary from the geometry shown. Generate drive specific 3D and 2D geometries under www.BauerCat.com.

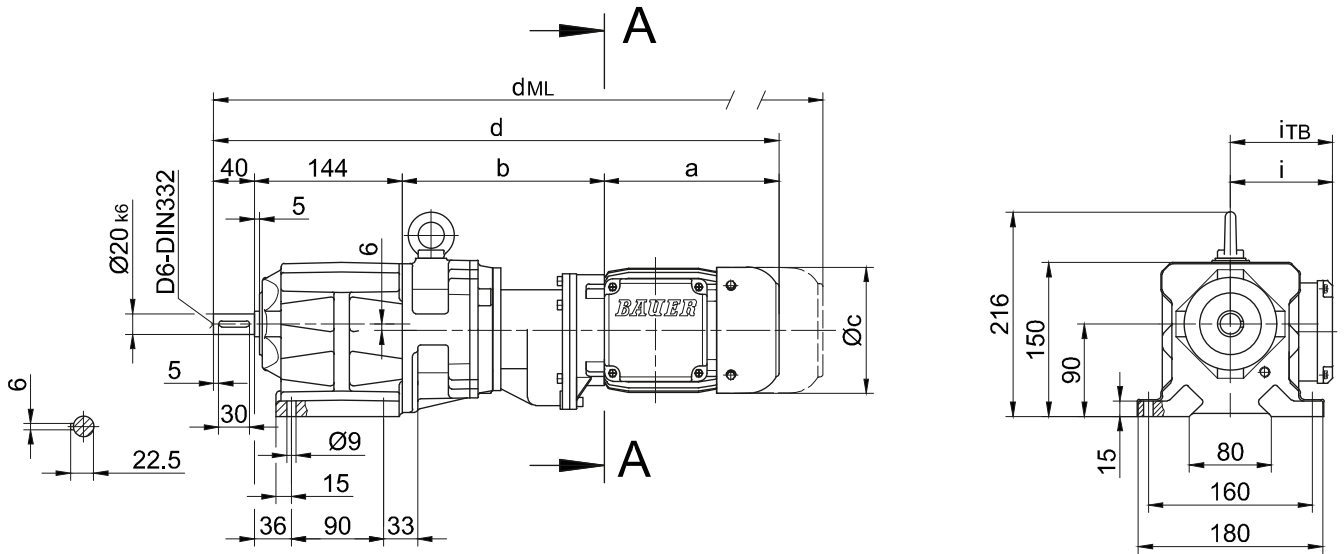
BG-series helical-geared motors

Dimension - Tandem Gearbox

BG10G06

Foot mounting with clearance holes

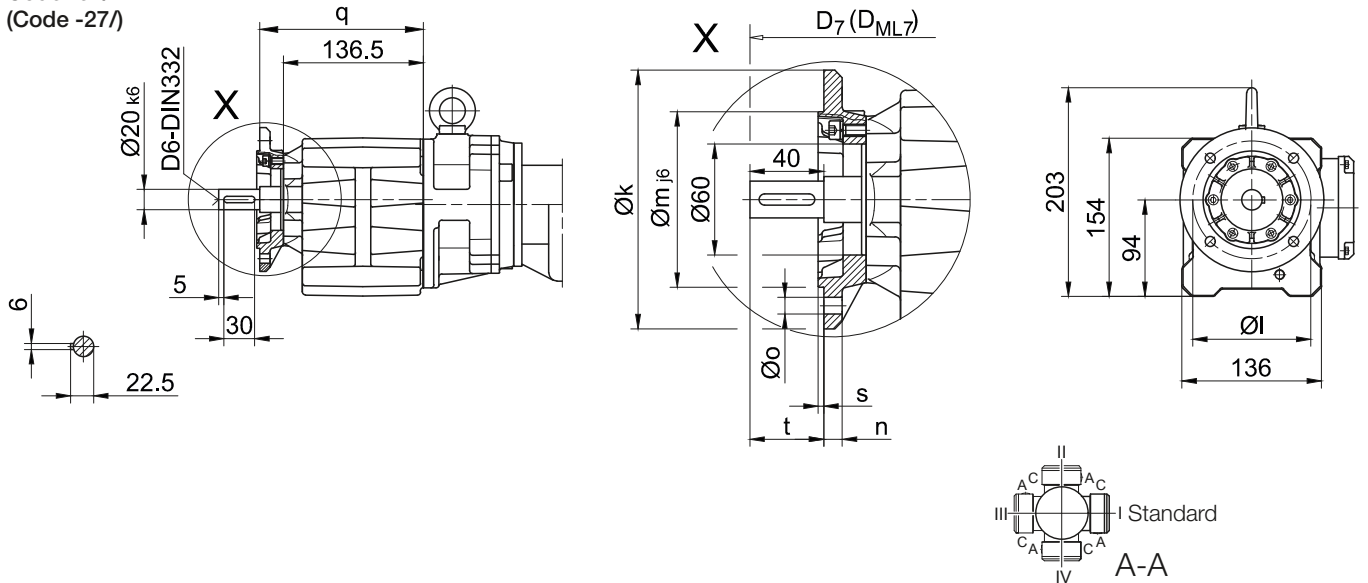
Code -11/



Flange with clearance holes

Code -37/

(Code -27/)



Flange Dimensions

Type	Design	k	l	m	n	o	q	s	t	D_7	D_{ML7}
BG10..	Code -37V/	140	115	95	10	9	159.5	3	40	$d+15.5$	$d_{ML}+15.5$
BG10..	Code -27V/	120	100	80	8	6.6	154.5	3	45	$d+15.5$	$d_{ML}+15.5$

Dimensions in millimetres (mm)

Type	a	b	c	d	i	Design with motor extensions				
						i_{TB}	Brake	Encoder	Brake with Encoder	Back Stop
							d_{ML}	d_{ML}	d_{ML}	d_{ML}
BG10G06-../D04.A.	142.5	195	110.5	521.5	90	112	565	609	652.5	-
BG10G06-../D..05.A.	170.5	197	123	551.5	101	117	593.5	654	691.5	-
BG10G06-../D..06.A.	170.5	197	123	551.5	99	119	593.5	654	691.5	-
BG10G06-../D..07.A.	190.5	197	123	571.5	99	119	613.5	674	711.5	-
BG10G06-../D..08.A.	199.5	241	156	624.5	114.5	136.5	690.5	736.5	798	690.5
BG10G06-../D..08.B.	229.5	241	156	654.5	114.5	136.5	720.5	766.5	827.5	720.5

Dimensions in millimetres (mm)

The actual gearbox design can vary from the geometry shown. Generate drive specific 3D and 2D geometries under www.BauerCat.com.

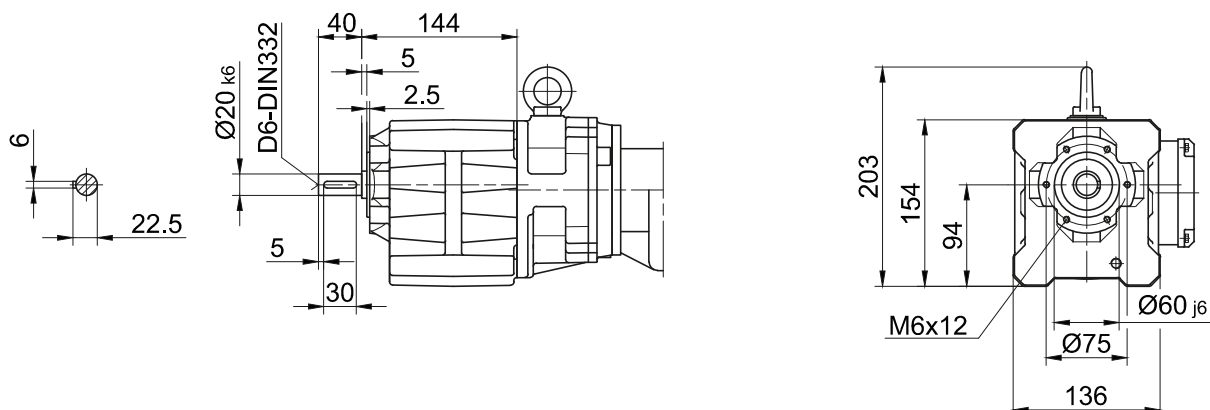
BG-series helical-geared motors

Dimension - Tandem Gearbox

BG10G06

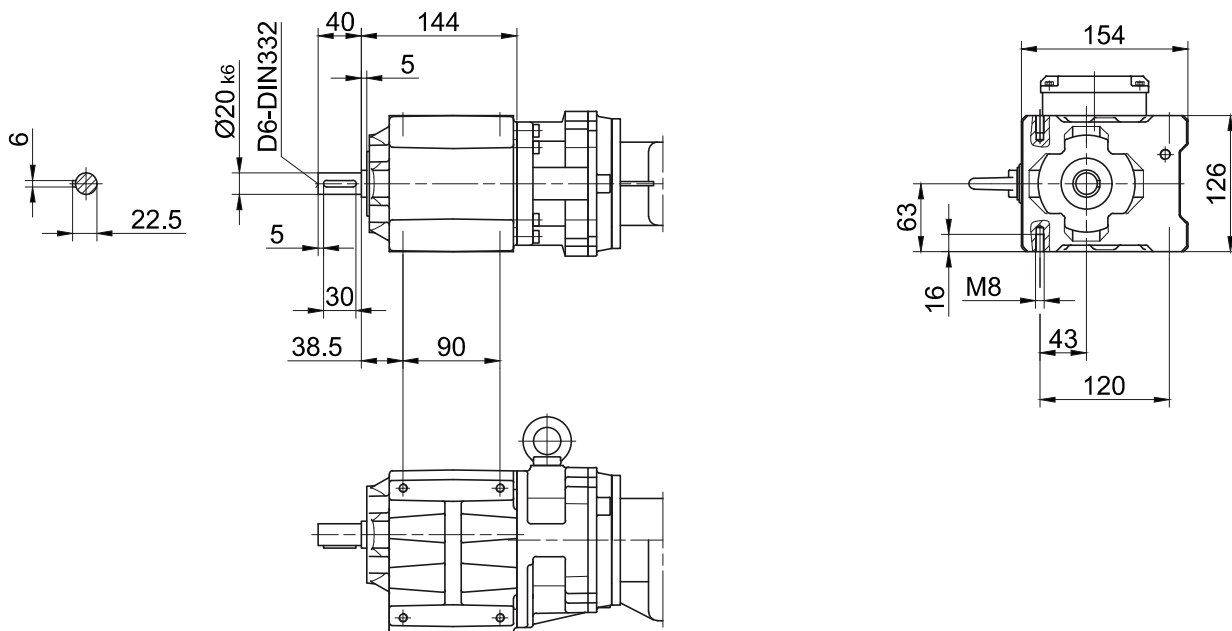
Flange with tapped holes

Code -71/



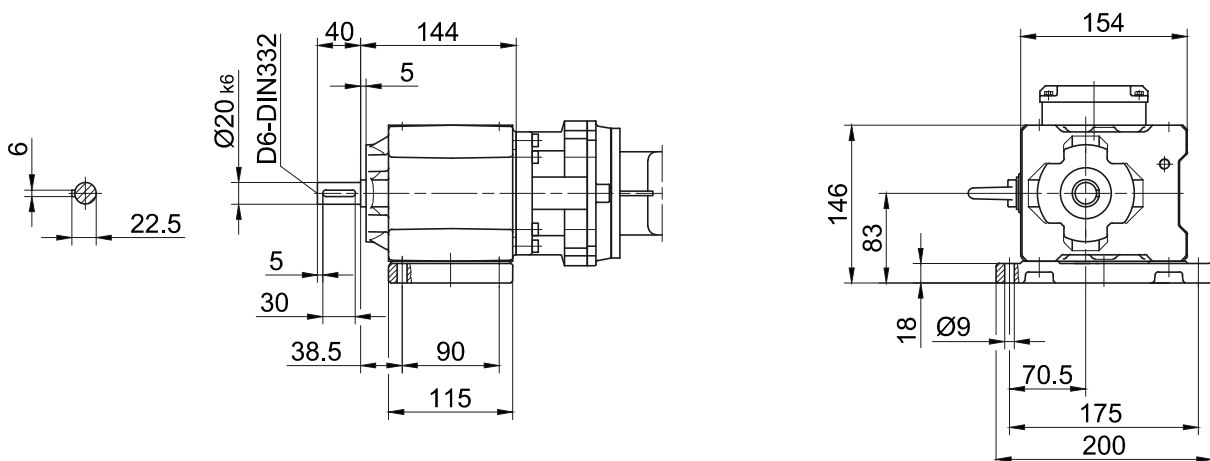
Foot with tapped holes left and right

Code -61LR/



Foot plate left

Code -91L/



The actual gearbox design can vary from the geometry shown. Generate drive specific 3D and 2D geometries under www.BauerCat.com.

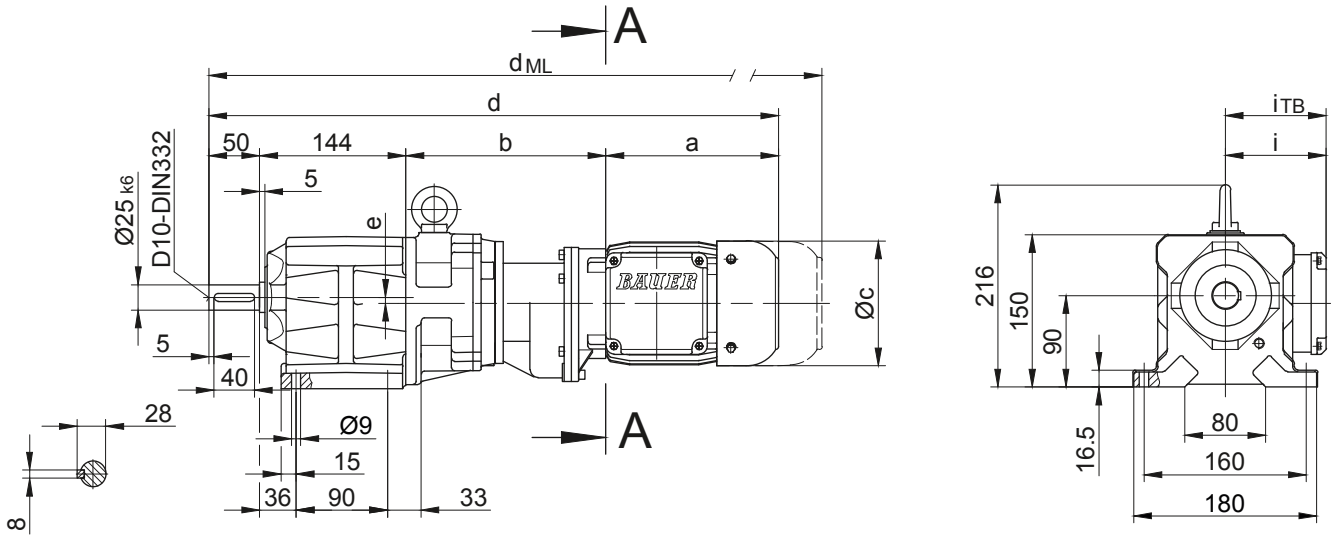
BG-series helical-geared motors

Dimension - Tandem Gearbox

BG10XG06

Foot mounting with clearance holes

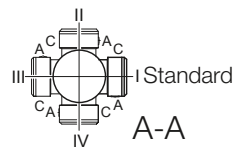
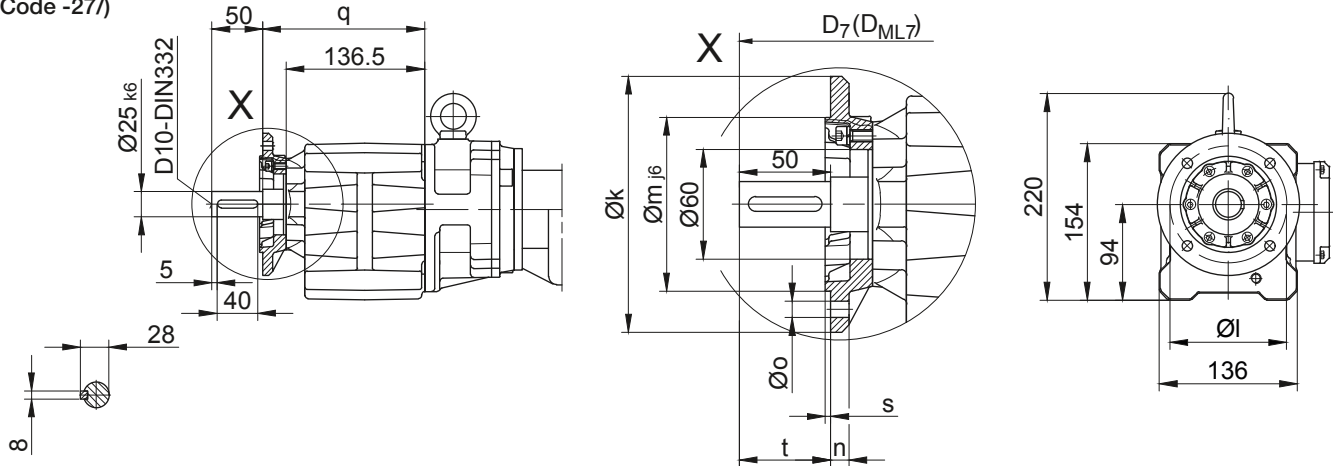
Code -11/



Flange with clearance holes

Code -37/

(Code -27/)



Flange Dimensions

Type	Design	k	l	m	n	o	q	s	t	D_7	D_{ML7}
BG10X..	Code -37V/	140	115	95	10	9	159.5	3	50	$d+15.5$	$d_{ML}+15.5$
BG10X..	Code -27V/	120	100	80	8	6.6	154.5	3	55	$d+15.5$	$d_{ML}+15.5$

Dimensions in millimetres (mm)

Type	a	b	c	d	i	Design with motor extensions				
						i_{TB}	Brake	Encoder	Brake with Encoder	Back Stop
							d_{ML}	d_{ML}	d_{ML}	d_{ML}
BG10XG06-.../D04.A.	142.5	195	110.5	531.5	90	112	575	619	662.5	-
BG10XG06-.../D..05.A.	170.5	197	123	561.5	101	117	603.5	664	701.5	-
BG10XG06-.../D..06.A.	170.5	197	123	561.5	99	119	603.5	664	701.5	-
BG10XG06-.../D..07.A.	190.5	197	123	581.5	99	119	623.5	684	721.5	-
BG10XG06-.../D..08.A.	199.5	241	156	634.5	114.5	136.5	700.5	746.5	808	700.5
BG10XG06-.../D..08.B.	229.5	241	156	664.5	114.5	136.5	730.5	776.5	837.5	730.5

Dimensions in millimetres (mm)

The actual gearbox design can vary from the geometry shown. Generate drive specific 3D and 2D geometries under www.BauerCat.com.

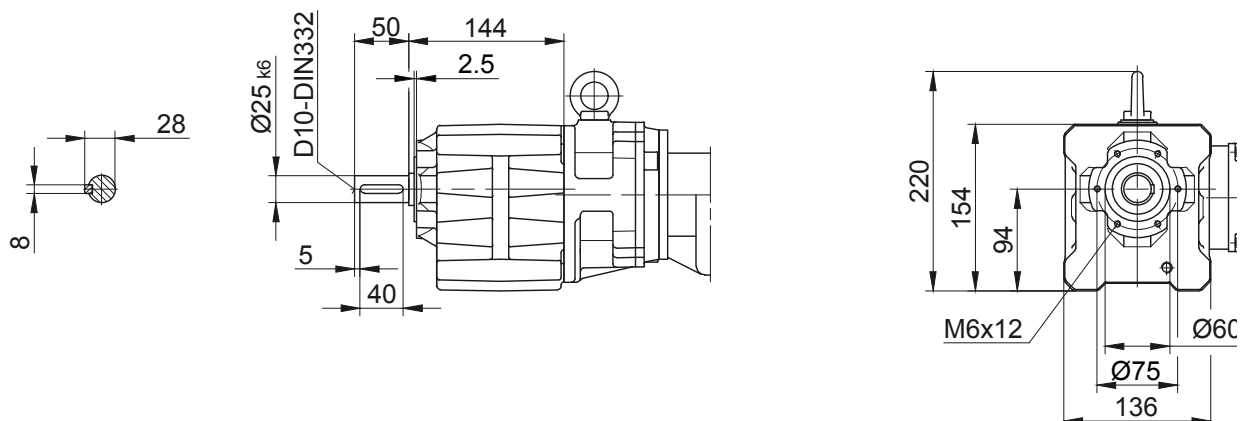
BG-series helical-geared motors

Dimension - Tandem Gearbox

BG10XG06

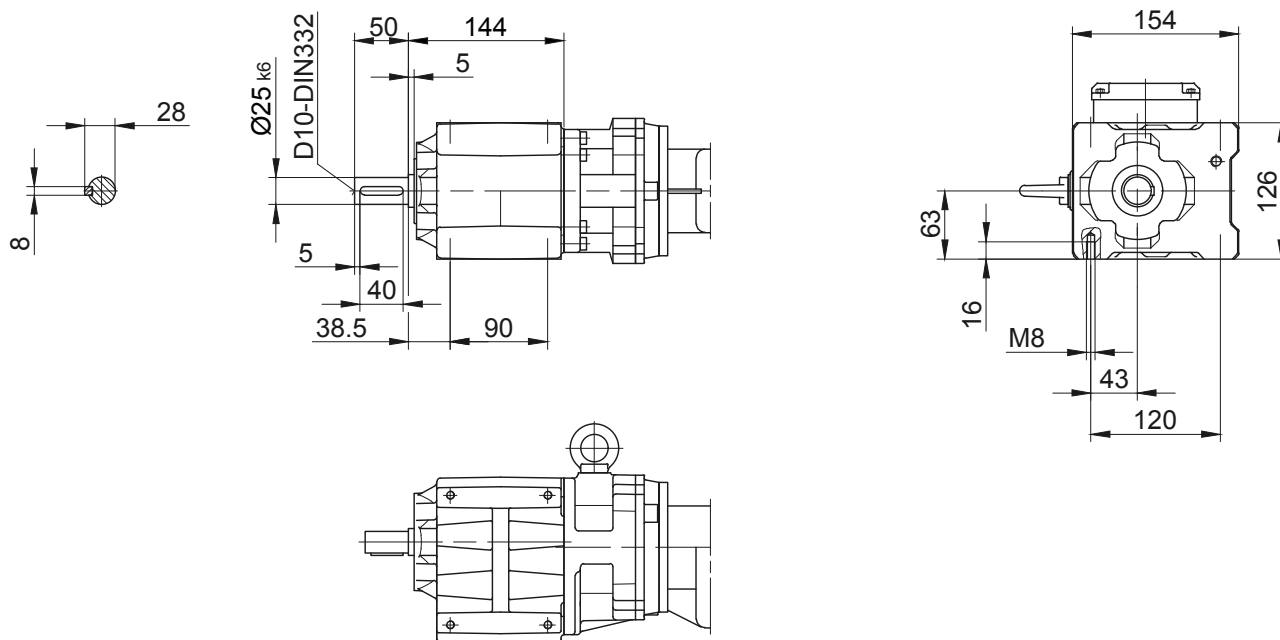
Flange with tapped holes

Code -71/



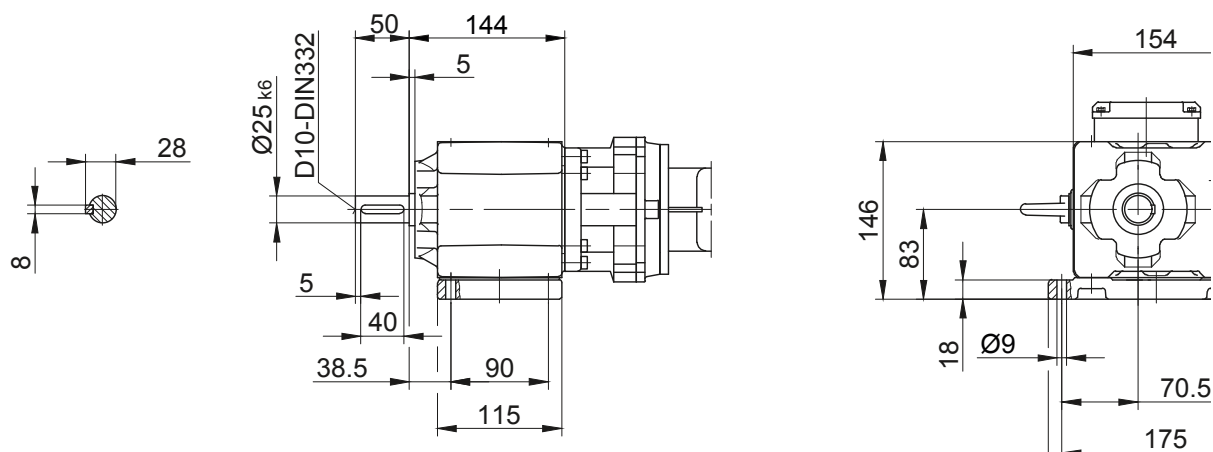
Foot with tapped holes left and right

Code -61LR/



Foot plate left

Code -91L/



The actual gearbox design can vary from the geometry shown. Generate drive specific 3D and 2D geometries under www.BauerCat.com.

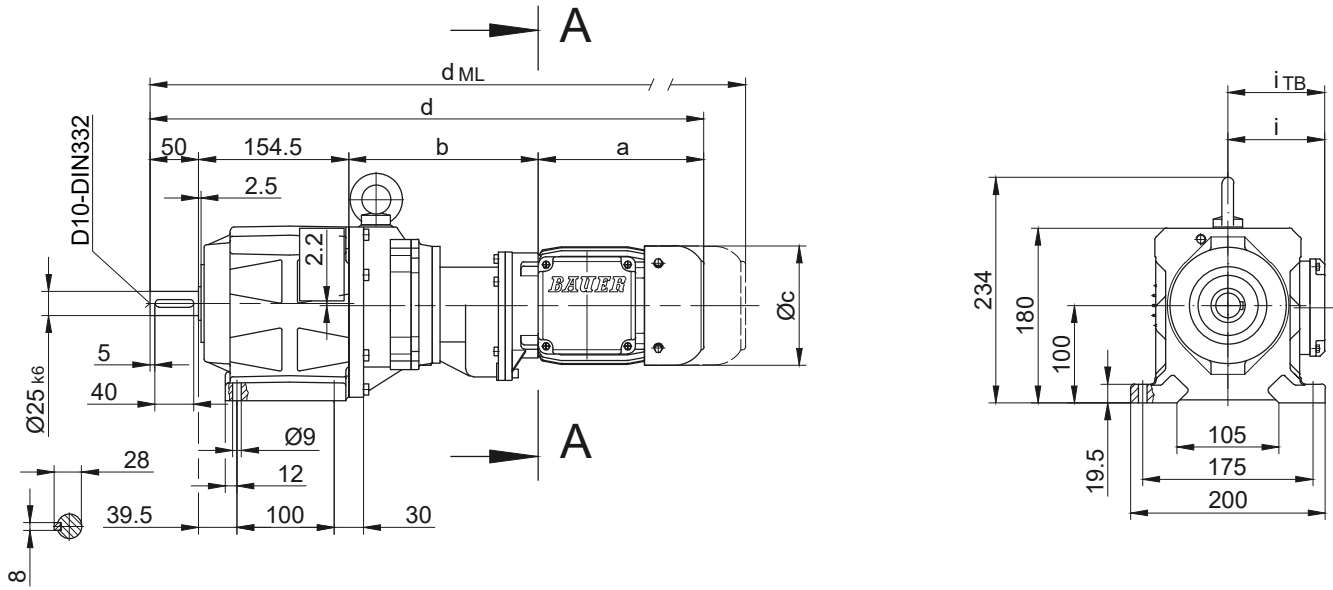
BG-series helical-geared motors

Dimension - Tandem Gearbox

BG20G06

Foot mounting with clearance holes

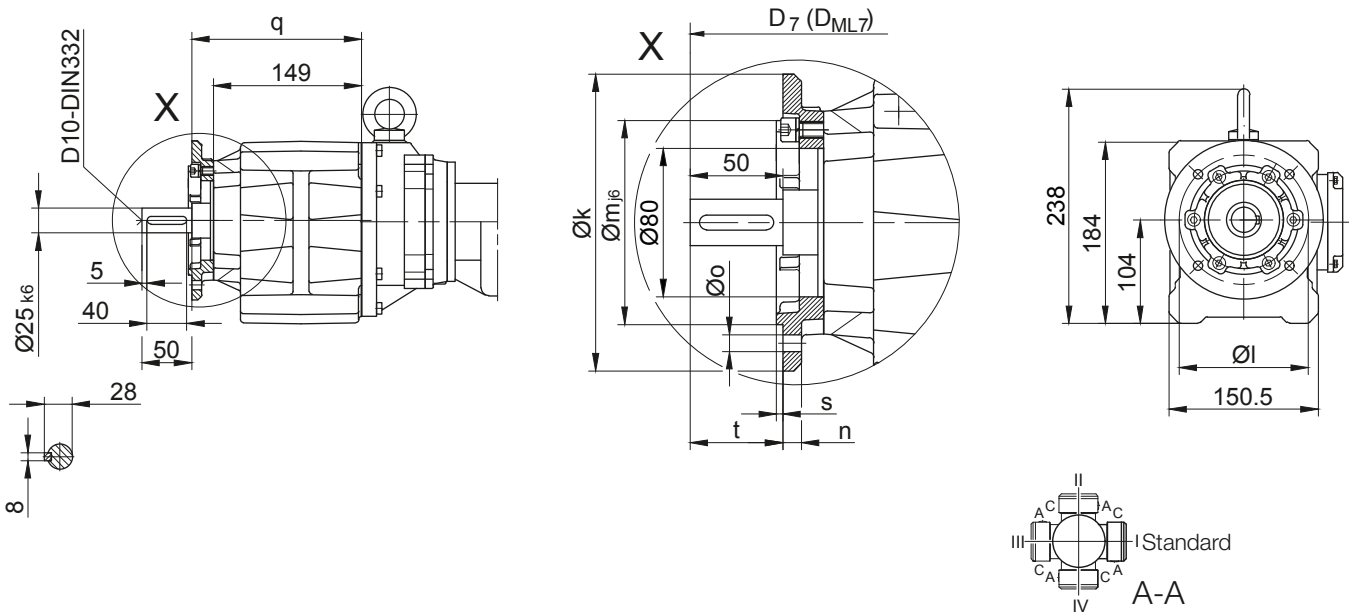
Code -11/



Flange with clearance holes

Code -37/

(Code -47/)



Flange Dimensions

Type	Design	k	l	m	n	o	q	s	t	D ₇	D _{ML7}
BG20..	Code -37V/	160	130	110	10	9	171	3.5	50	d+16.5	d _{ML} +16.5
BG20..	Code -47V/	200	165	130	12	11	178	3.5	43	d+16.5	d _{ML} +16.5

Dimensions in millimetres (mm)

Type	a	b	c	d	i	Design with motor extensions				
						i _{TB}	Brake	Encoder	Brake with Encoder	Back Stop
							d _{ML}	d _{ML}	d _{ML}	d _{ML}
BG20G06-../D04.A.	142.5	193	110.5	540	90	112	583.5	627.5	671	-
BG20G06-../D..05.A.	170.5	195	123	570	101	117	612	672.5	710	-
BG20G06-../D..06.A.	170.5	195	123	570	99	119	612	672.5	710	-
BG20G06-../D..07.A.	190.5	195	123	590	99	119	632	692.5	730	-
BG20G06-../D..08.A.	199.5	239	156	643	114.5	136.5	709	755	816.5	709
BG20G06-../D..08.B.	229.5	239	156	673	114.5	136.5	739	785	846	739

Dimensions in millimetres (mm)

The actual gearbox design can vary from the geometry shown. Generate drive specific 3D and 2D geometries under www.BauerCat.com.

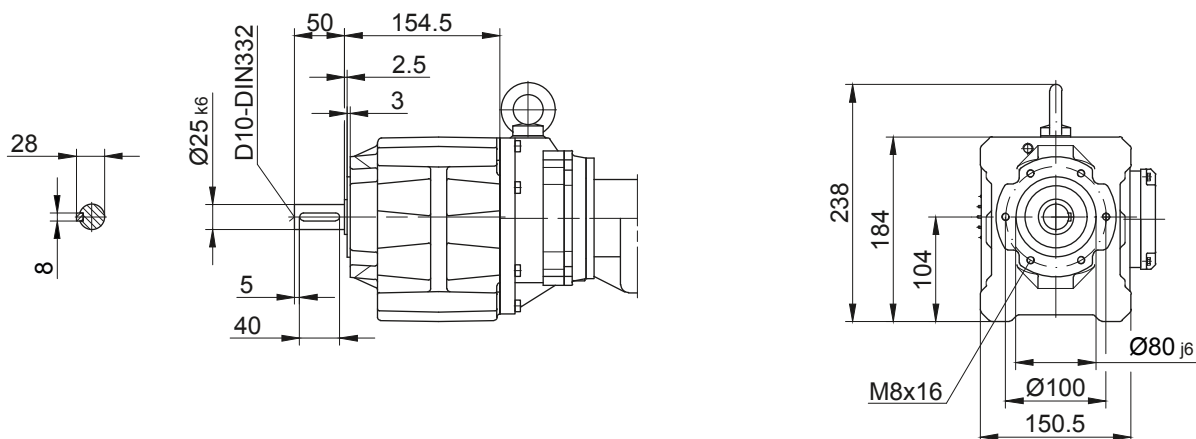
BG-series helical-geared motors

Dimension - Tandem Gearbox

BG20G06

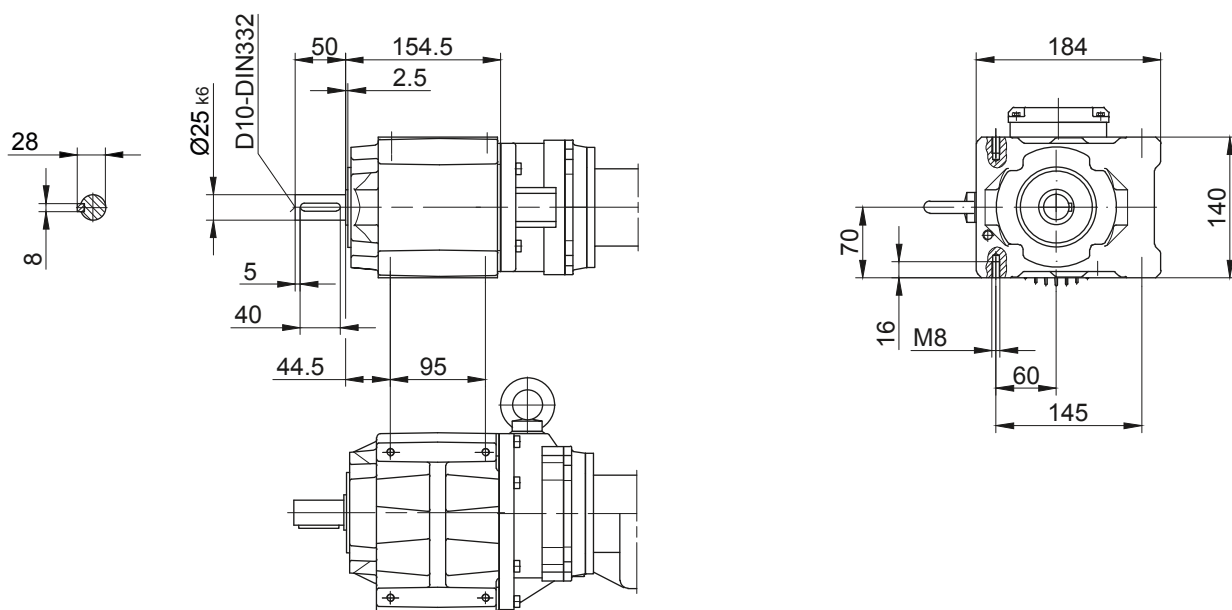
Flange with tapped holes

Code -71/



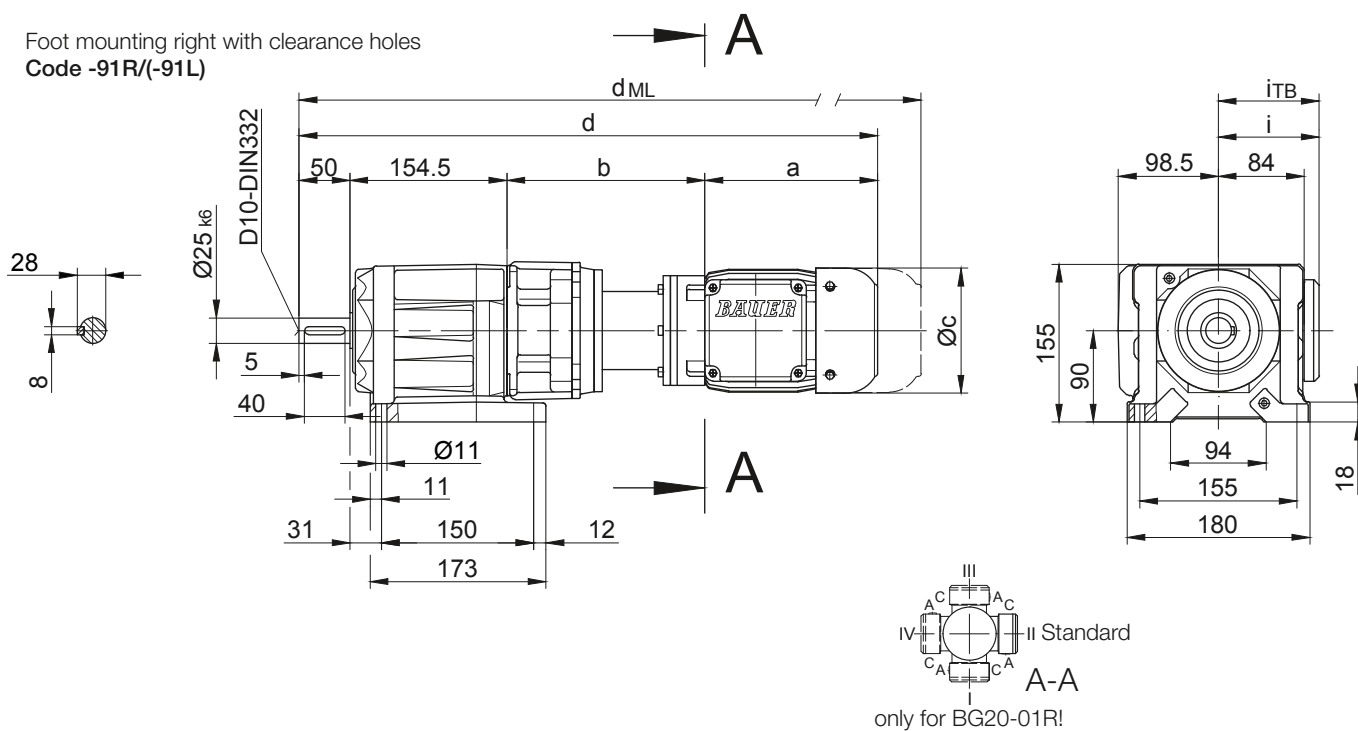
Foot with tapped holes left and right

Code -61LR/



Foot mounting right with clearance holes

Code -91R/(-91L)



The actual gearbox design can vary from the geometry shown. Generate drive specific 3D and 2D geometries under www.BauerCat.com.

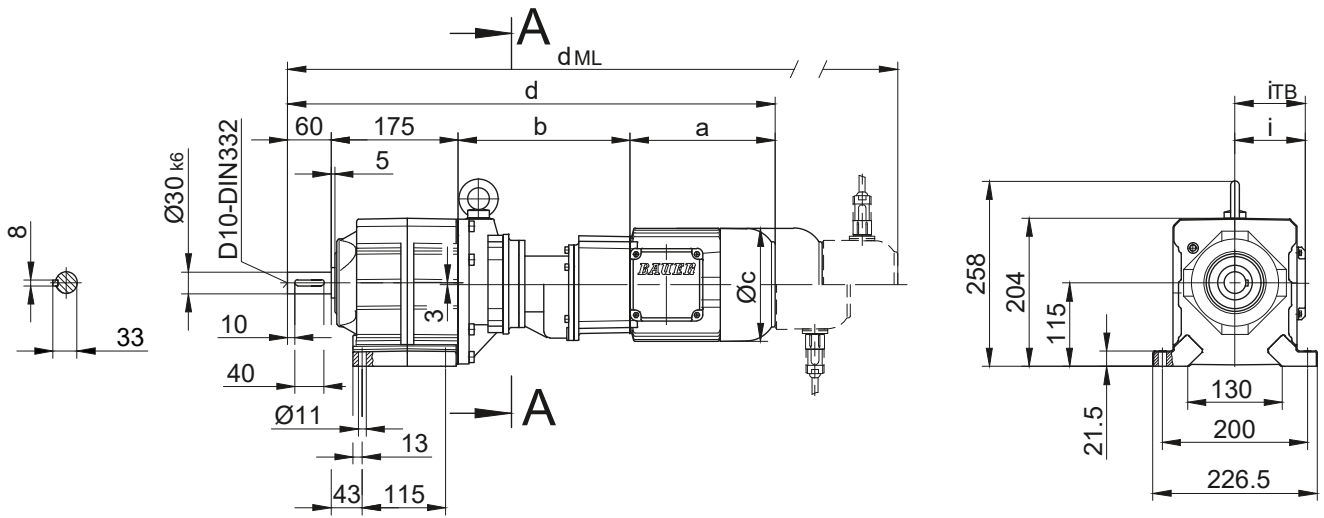
BG-series helical-geared motors

Dimension - Tandem Gearbox

BG30G06

Foot mounting with clearance holes

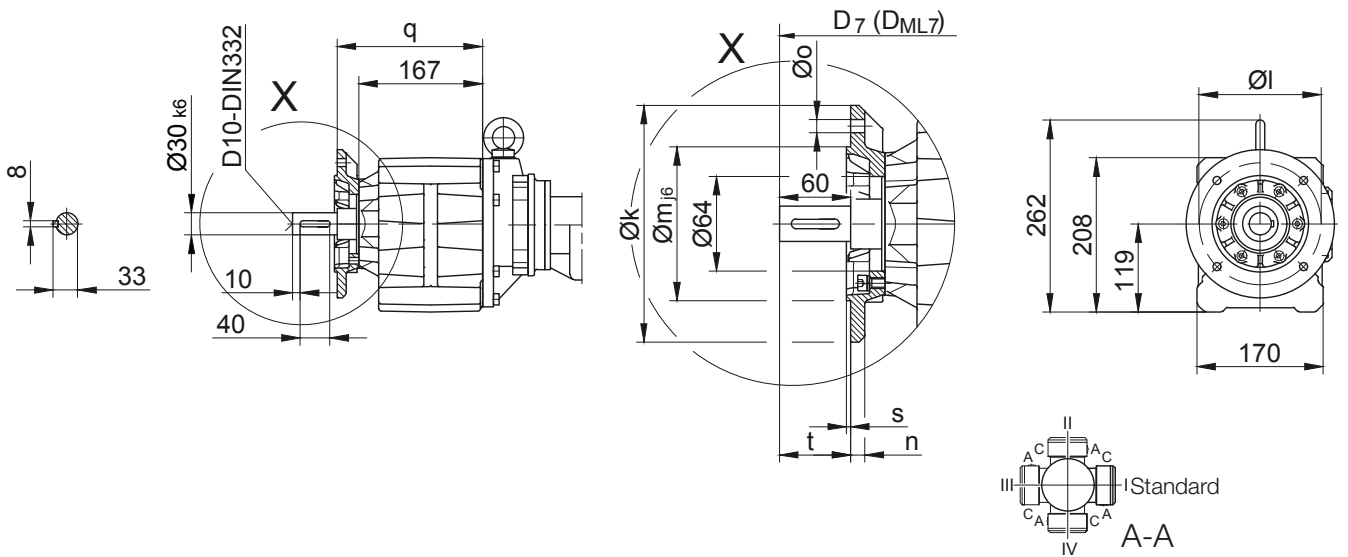
Code -11/



Flange with clearance holes

Code -37/

(Code -27/)



Type	Design	k	l	m	n	o	q	s	t	D ₇	D _{ML7}
BG30..	Code -37/	200	165	130	12	11	196	3.5	60	d+21	d _{ML} +21
BG30..	Code -27/	160	130	110	10	9	189	3.5	67	d+21	d _{ML} +21

Dimensions in millimetres (mm)

Type	a	b	c	d	i	Design with motor extensions				
						i _{TB}	Brake	Encoder	Brake with Encoder	Back Stop
							d _{ML}	d _{ML}	d _{ML}	d _{ML}
BG30G06-../D04.A.	142.5	191	110.5	568.5	90	112	612	656	699.5	-
BG30G06-../D..05.A.	170.5	193	123	598.5	101	117	640.5	701	738.5	-
BG30G06-../D..06.A.	170.5	193	123	598.5	99	119	640.5	701	738.5	-
BG30G06-../D..07.A.	190.5	193	123	618.5	99	119	660.5	721	758.5	-
BG30G06-../D..08.A.	199.5	237	156	671.5	114.5	136.5	737.5	783.5	845	737.5
BG30G06-../D..08.B.	229.5	237	156	701.5	114.5	136.5	767.5	813.5	874.5	767.5

Dimensions in millimetres (mm)

The actual gearbox design can vary from the geometry shown. Generate drive specific 3D and 2D geometries under www.BauerCat.com.

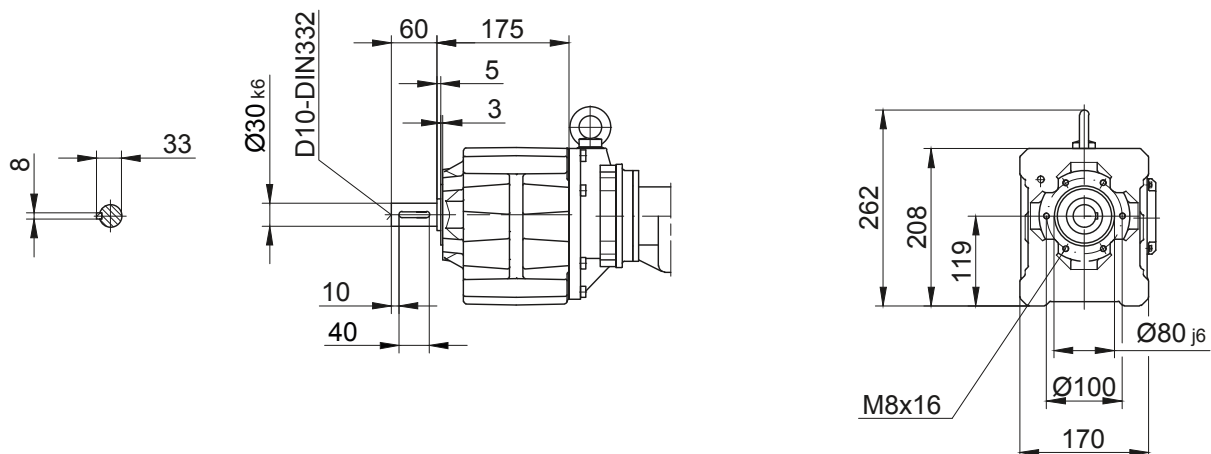
BG-series helical-geared motors

Dimension - Tandem Gearbox

BG30G06

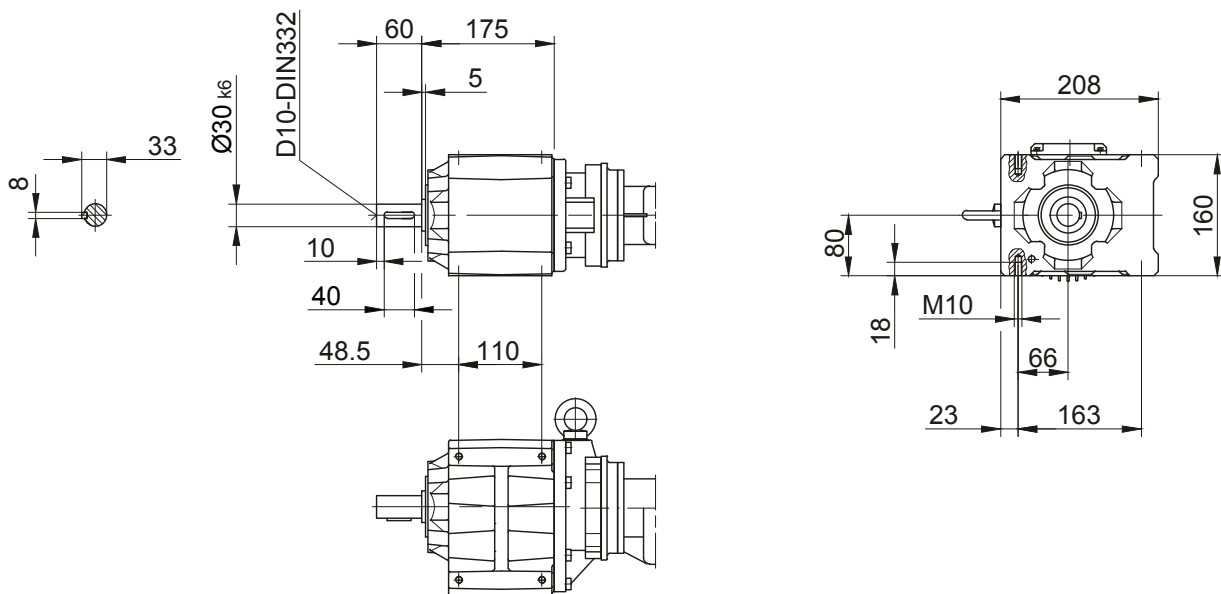
Flange with tapped holes

Code -71/



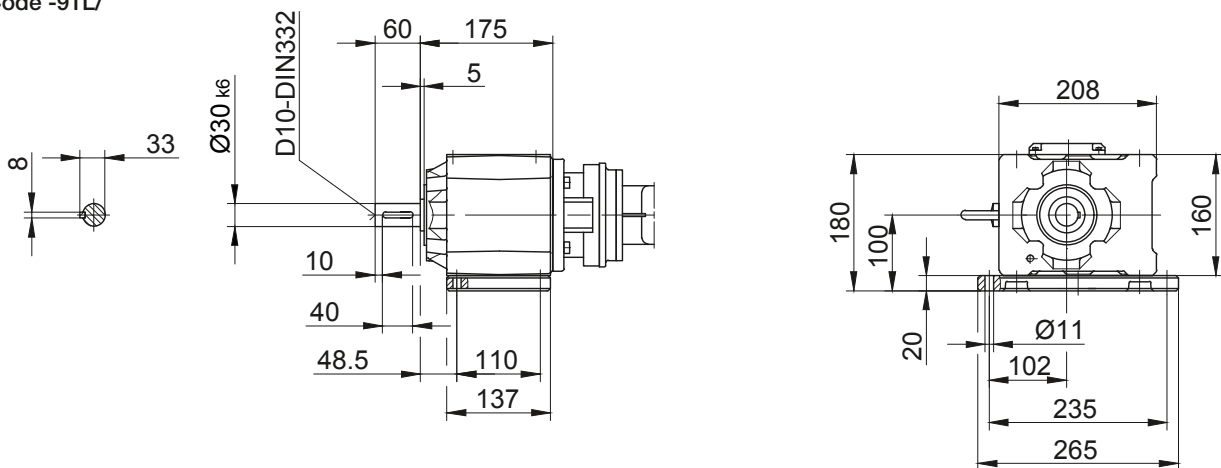
Foot with tapped holes left and right

Code -61LR/



Foot plate left

Code -91L/



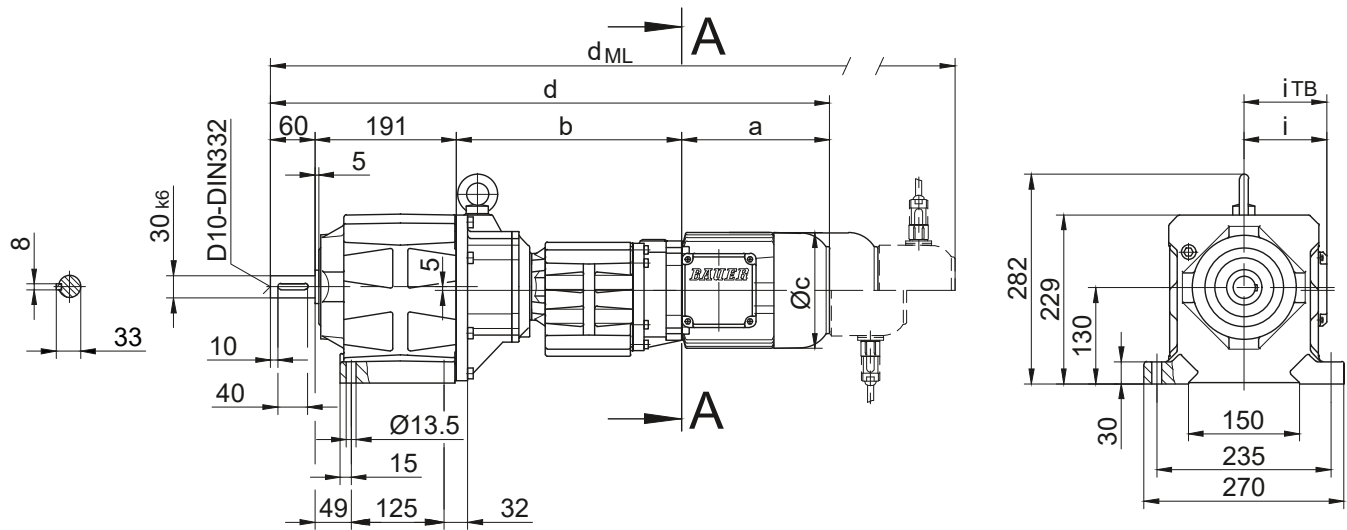
BG-series helical-geared motors

Dimension - Tandem Gearbox

BG40G10

Foot mounting with clearance holes

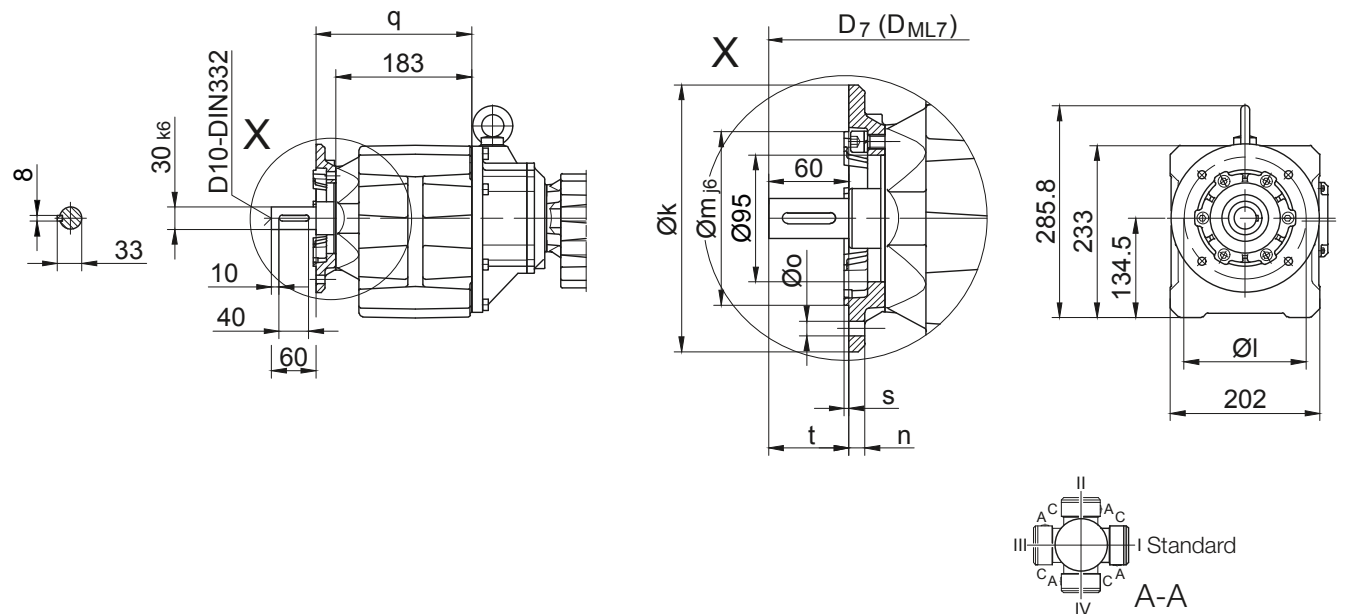
Code -11/



Flange with clearance holes

Code -37/

(Code -47/)



Type	Design	k	l	m	n	o	q	s	t	D ₇	D _{ML7}
BG40..	Code -37/	200	165	130	12	11	210	3.5	60	d+19	d _{ML} +19
BG40..	Code -47/	250	215	180	16	13.5	219	4	51	d+19	d _{ML} +19

Dimensions in millimetres (mm)

Type	a	b	c	d	i	Design with motor extensions				
						i _{TB}	Brake	Encoder	Brake with Encoder	Back Stop
							d _{ML}	d _{ML}	d _{ML}	d _{ML}
BG40G10-../D..05.A.	170.5	300	123	721.5	101	117	763.5	824	861.5	-
BG40G10-../D..06.A.	170.5	300	123	721.5	99	119	763.5	824	861.5	-
BG40G10-../D..07.A.	190.5	300	123	741.5	99	119	783.5	844	881.5	-
BG40G10-../D..08.A.	199.5	304	156	754.5	114.5	136.5	820.5	866.5	928	820.5
BG40G10-../D..08.B.	229.5	304	156	784.5	114.5	136.5	850.5	896.5	957.5	850.5
BG40G10-../D..09.A.	250.5	318.5	176	820	124	157	913	927.5	1017	913
BG40G10-../D..09.B.	308.5	318.5	176	878	124	157	971	985	1075	971

Dimensions in millimetres (mm)

The actual gearbox design can vary from the geometry shown. Generate drive specific 3D and 2D geometries under www.BauerCat.com.

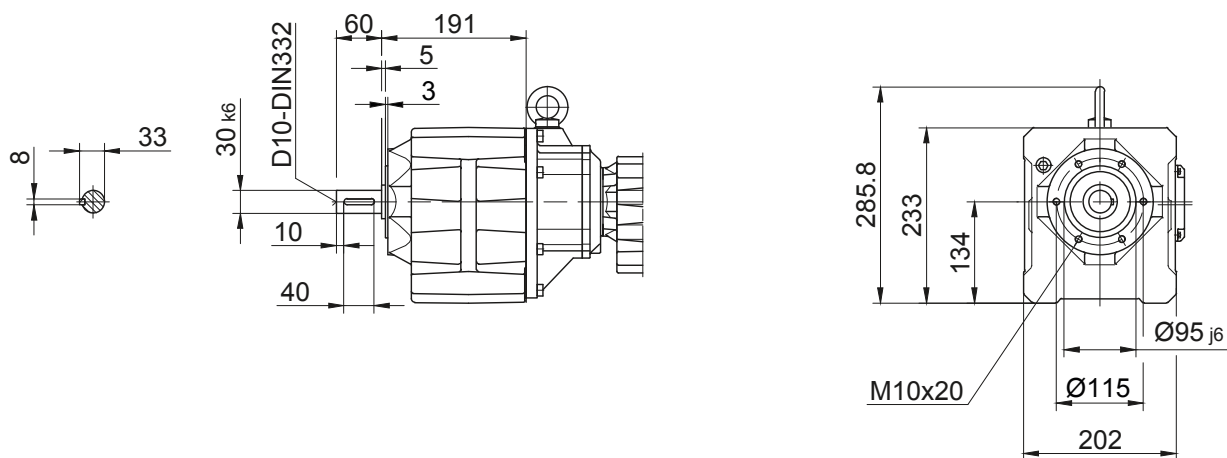
BG-series helical-geared motors

Dimension - Tandem Gearbox

BG40G10

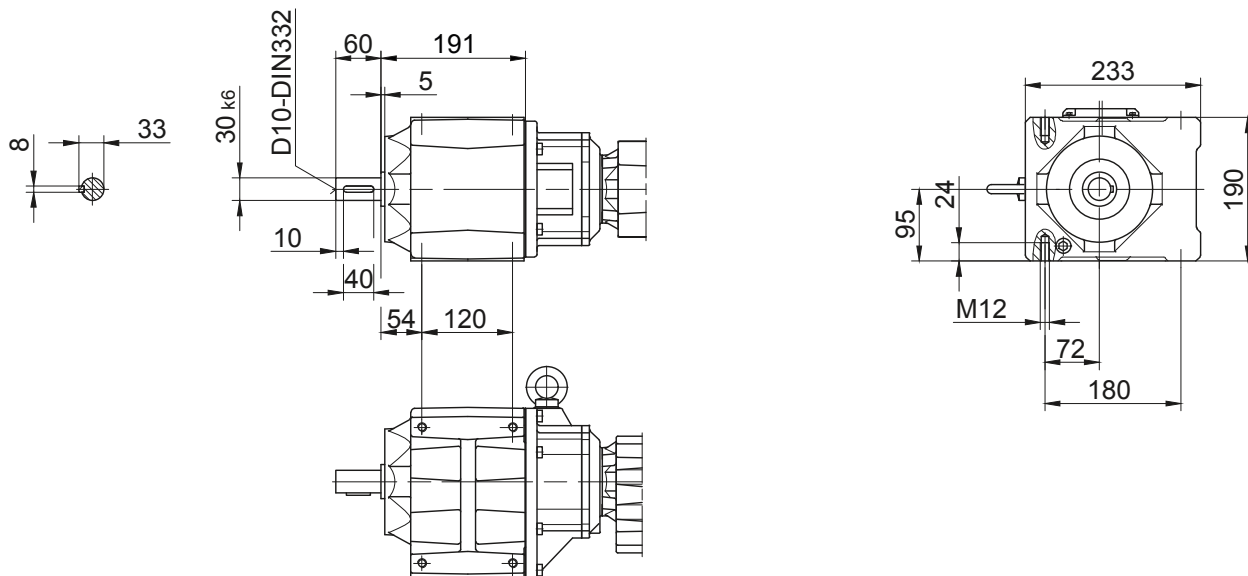
Flange with tapped holes

Code -71/



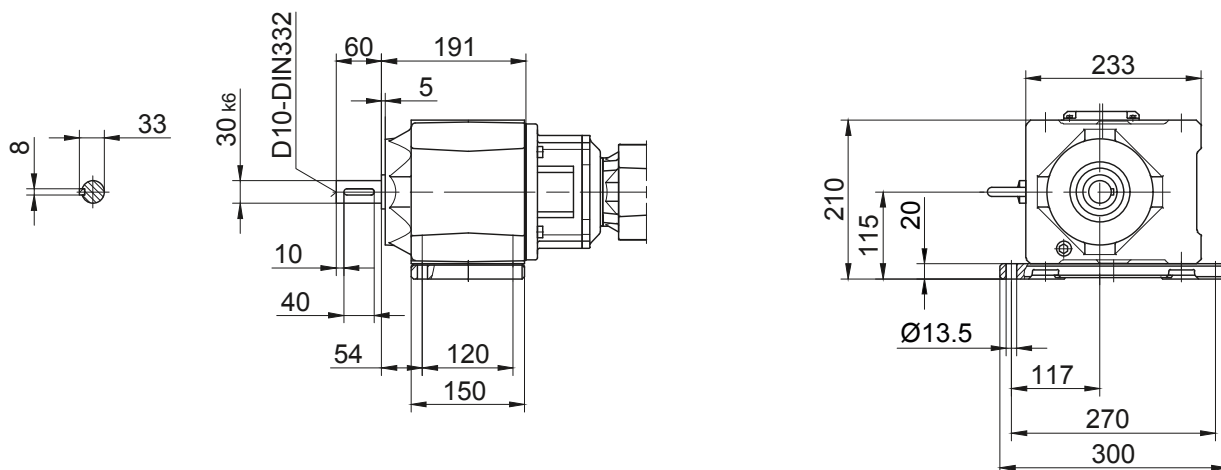
Foot with tapped holes left and right

Code -61LR/



Foot plate left

Code -91L/



The actual gearbox design can vary from the geometry shown. Generate drive specific 3D and 2D geometries under www.BauerCat.com.

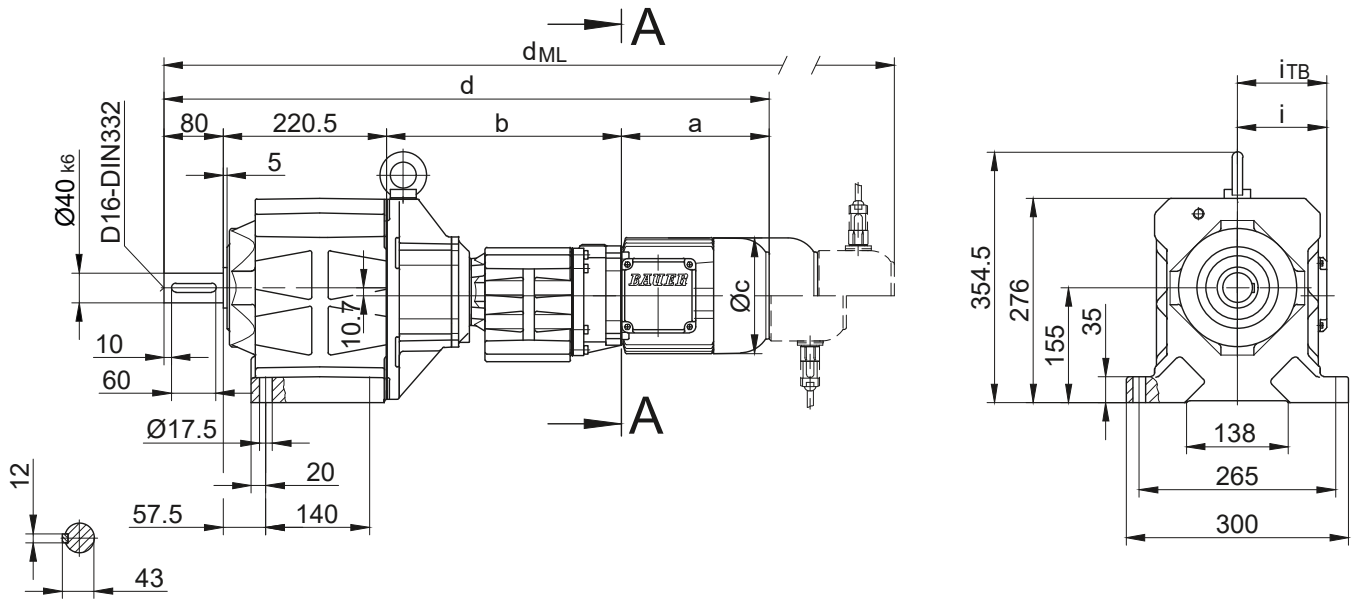
BG-series helical-geared motors

Dimension - Tandem Gearbox

BG50G10

Foot mounting with clearance holes

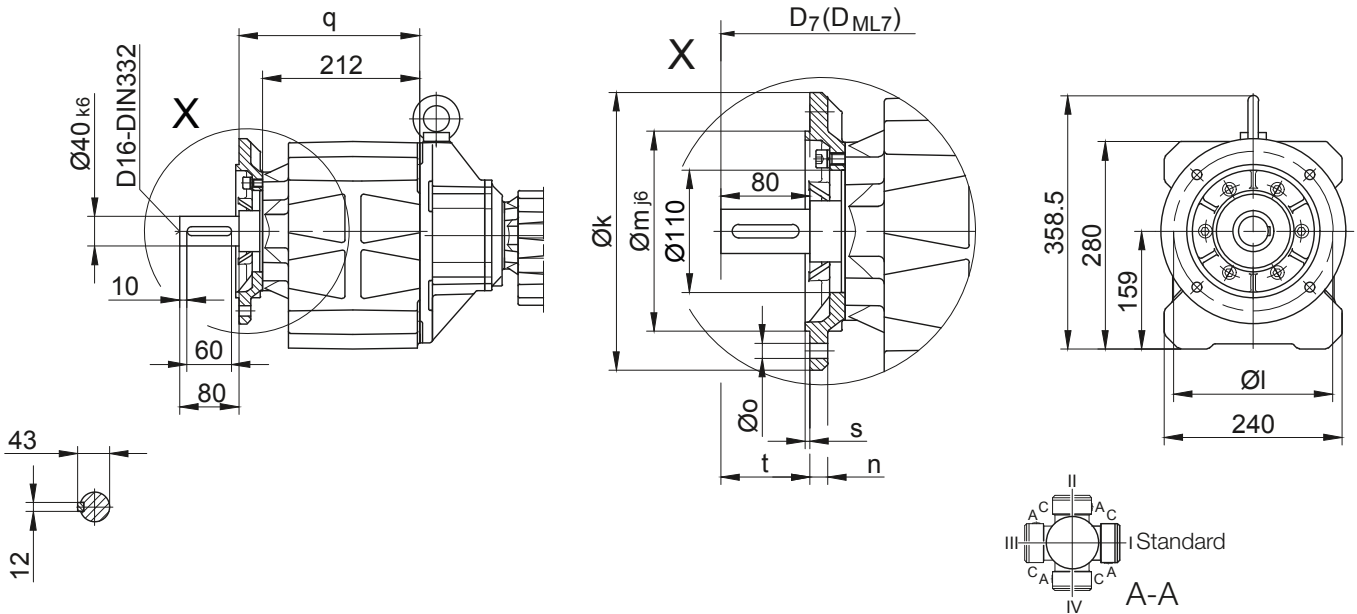
Code -11/



Flange with clearance holes

Code -37/

(Code -27/)



Flange Dimensions

Type	Design	k	l	m	n	o	q	s	t	D_7	D_{ML7}
BG50..	Code -37/	250	215	180	16	13.5	244	4	80	$d+23.5$	$d_{ML}+23.5$
BG50..	Code -27/	200	165	130	12	11	241	3.5	83	$d+23.5$	$d_{ML}+23.5$

Dimensions in millimetres (mm)

Type	a	b	c	d	i	Design with motor extensions				
						i_{TB}	Brake	Encoder	Brake with Encoder	Back Stop
							d_{ML}	d_{ML}	d_{ML}	d_{ML}
BG50G10-../D..05.A.	170.5	313	123	784	101	117	826	886.5	924	-
BG50G10-../D..06.A.	170.5	313	123	784	99	119	826	886.5	924	-
BG50G10-../D..07.A.	190.5	313	123	804	99	119	846	906.5	944	-
BG50G10-../D..08.A.	199.5	317	156	817	114.5	136.5	883	929	990.5	883
BG50G10-../D..08.B.	229.5	317	156	847	114.5	136.5	913	959	1020	913
BG50G10-../D..09.A.	250.5	331.5	176	882.5	124	157	975.5	990	1079.5	975.5
BG50G10-../D..09.B.	308.5	331.5	176	940.5	124	157	1033.5	1047.5	1137.5	1033.5

Dimensions in millimetres (mm)

The actual gearbox design can vary from the geometry shown. Generate drive specific 3D and 2D geometries under www.BauerCat.com.

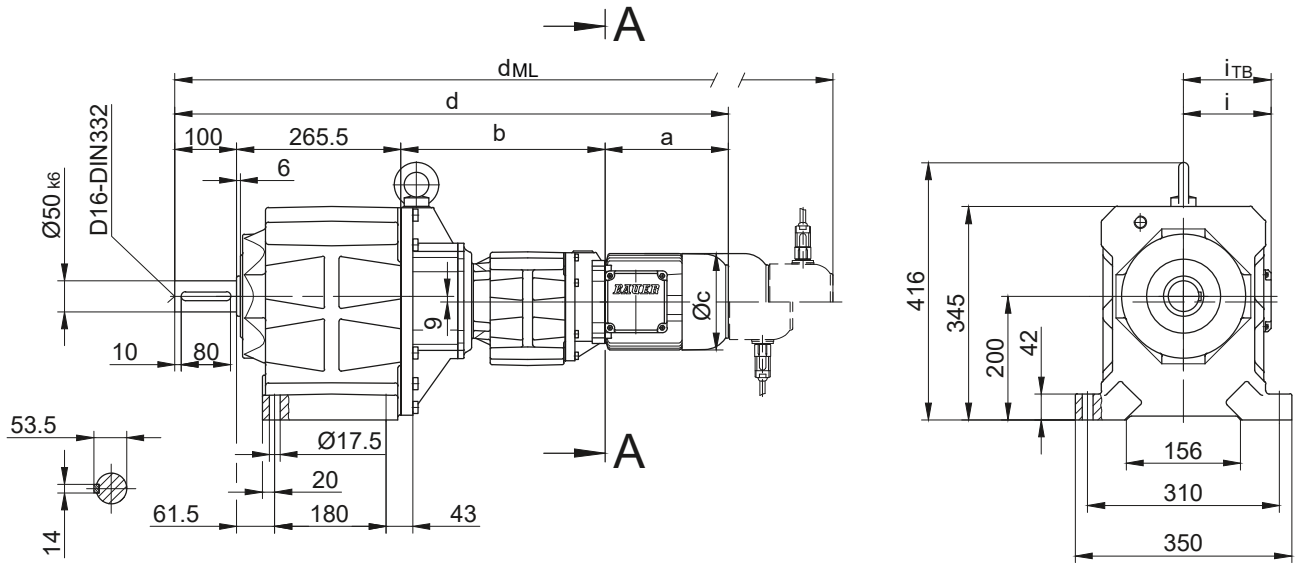
BG-series helical-geared motors

Dimension - Tandem Gearbox

BG60G20

Foot mounting with clearance holes

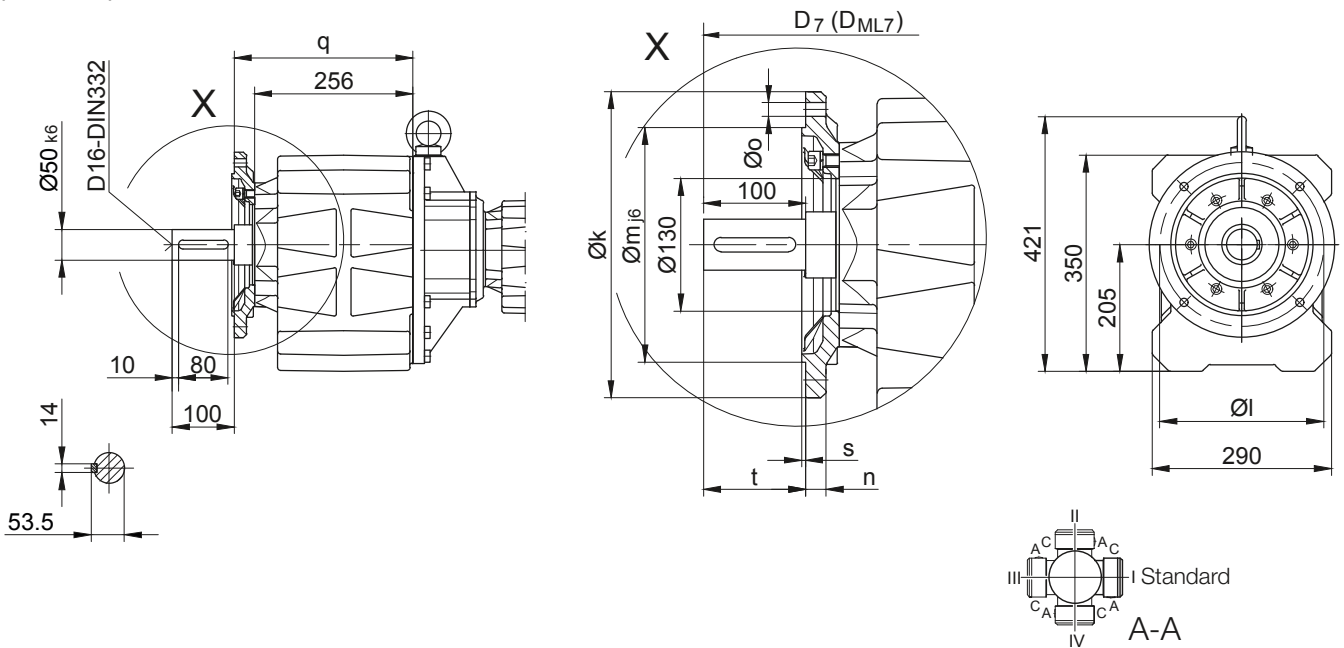
Code -11/



Flange with clearance holes

Code -37/

(Code -27/)



Flange Dimensions

Type	Design	k	l	m	n	o	q	s	t	D ₇	D _{ML7}
BG60..	Code -37/	300	265	230	20	13.5	289	4	100	d+23.5	d _{ML} +23.5
BG60..	Code -27/	250	215	180	16	13.5	286	4	103	d+23.5	d _{ML} +23.5

Dimensions in millimetres (mm)

Type	a	b	c	d	i	Design with motor extensions				
						i _{TB}	Brake	Encoder	Brake with Encoder	Back Stop
							d _{ML}	d _{ML}	d _{ML}	d _{ML}
BG60G20-../D..05.A.	170.5	326	123	862	101	117	904	964.5	1002	-
BG60G20-../D..06.A.	170.5	326	123	862	99	119	904	964.5	1002	-
BG60G20-../D..07.A.	190.5	326	123	882	99	119	924	984.5	1022	-
BG60G20-../D..08.A.	199.5	330	156	895	114.5	136.5	961	1007	1068.5	961
BG60G20-../D..08.B.	229.5	330	156	925	114.5	136.5	991	1037	1098	991
BG60G20-../D..09.A.	250.5	344.5	176	960.5	124	157	1053.5	1068	1157.5	1053.5
BG60G20-../D..09.B.	308.5	344.5	176	1018.5	124	157	1111.5	1125.5	1215.5	1111.5

Dimensions in millimetres (mm)

The actual gearbox design can vary from the geometry shown. Generate drive specific 3D and 2D geometries under www.BauerCat.com.

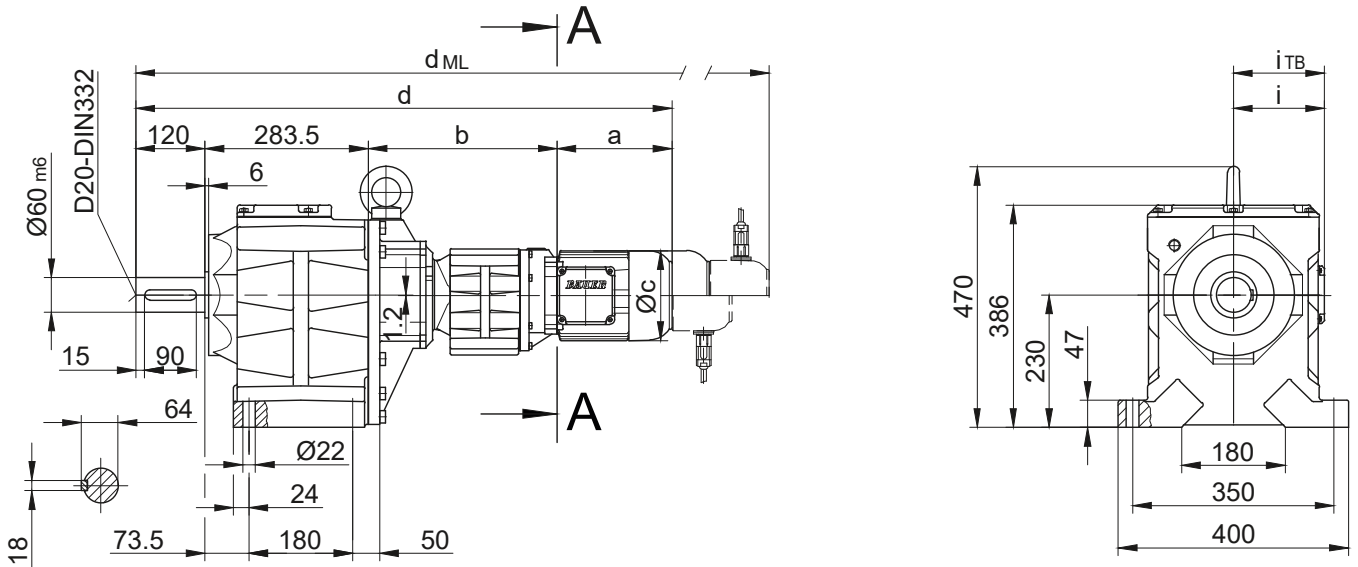
BG-series helical-geared motors

Dimension - Tandem Gearbox

BG70G20

Foot mounting with clearance holes

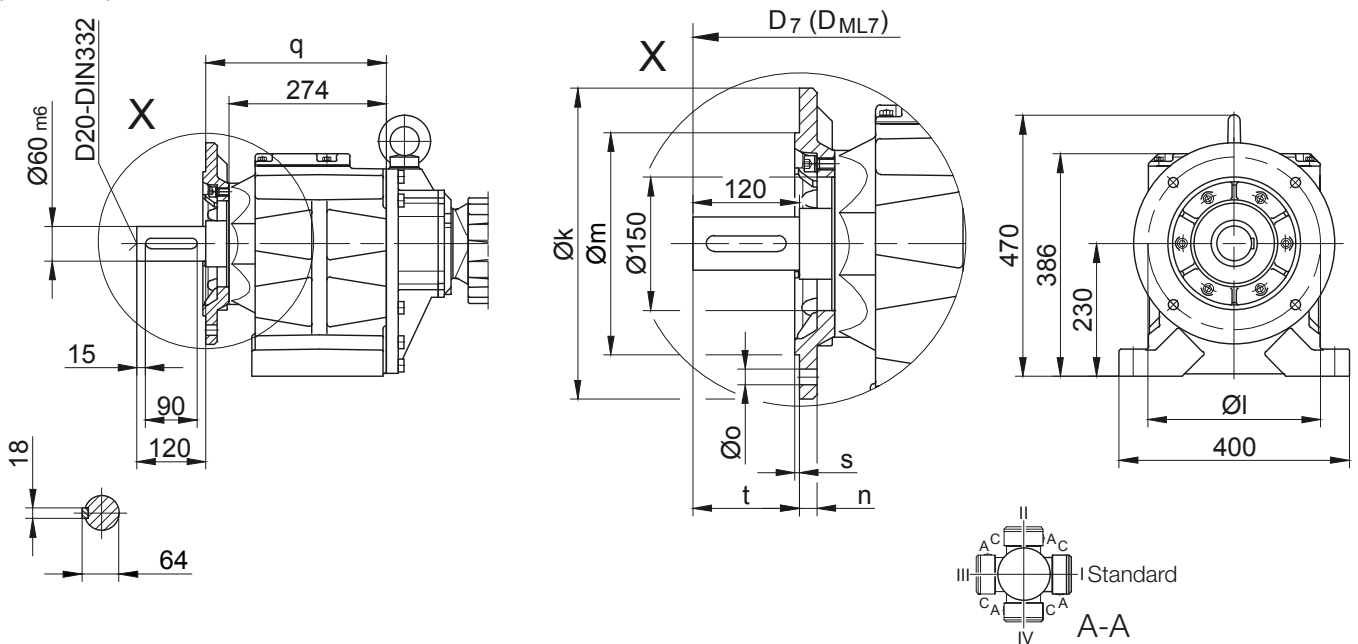
Code -11/



Flange with clearance holes

Code -37/

(Code -27/)



Flange Dimensions											
Type	Design	k	l	m	n	o	q	s	t	D ₇	D _{ML7}
BG70..	Code -37/	350	300	250	20	17.5	314	5	120	d+30.5	d _{ML} +30.5
BG70..	Code -27/	300	265	230	20	13.5	322	4	112	d+30.5	d _{ML} +30.5

Dimensions in millimetres (mm)

Type	a	b	c	d	i	Design with motor extensions				
						i _{TB}	Brake	Encoder	Brake with Encoder	Back Stop
							d _{ML}	d _{ML}	d _{ML}	d _{ML}
BG70G20-../D..05.A.	170.5	324	123	898	101	117	940	1000.5	1038	-
BG70G20-../D..06.A.	170.5	324	123	898	99	119	940	1000.5	1038	-
BG70G20-../D..07.A.	190.5	324	123	918	99	119	960	1020.5	1058	-
BG70G20-../D..08.A.	199.5	328	156	931	114.5	136.5	997	1043	1104.5	997
BG70G20-../D..08.B.	229.5	328	156	961	114.5	136.5	1027	1073	1134	1027
BG70G20-../D..09.A.	250.5	342.5	176	996.5	124	157	1089.5	1104	1193.5	1089.5
BG70G20-../D..09.B.	308.5	342.5	176	1054.5	124	157	1147.5	1161.5	1251.5	1147.5

Dimensions in millimetres (mm)

The actual gearbox design can vary from the geometry shown. Generate drive specific 3D and 2D geometries under www.BauerCat.com.

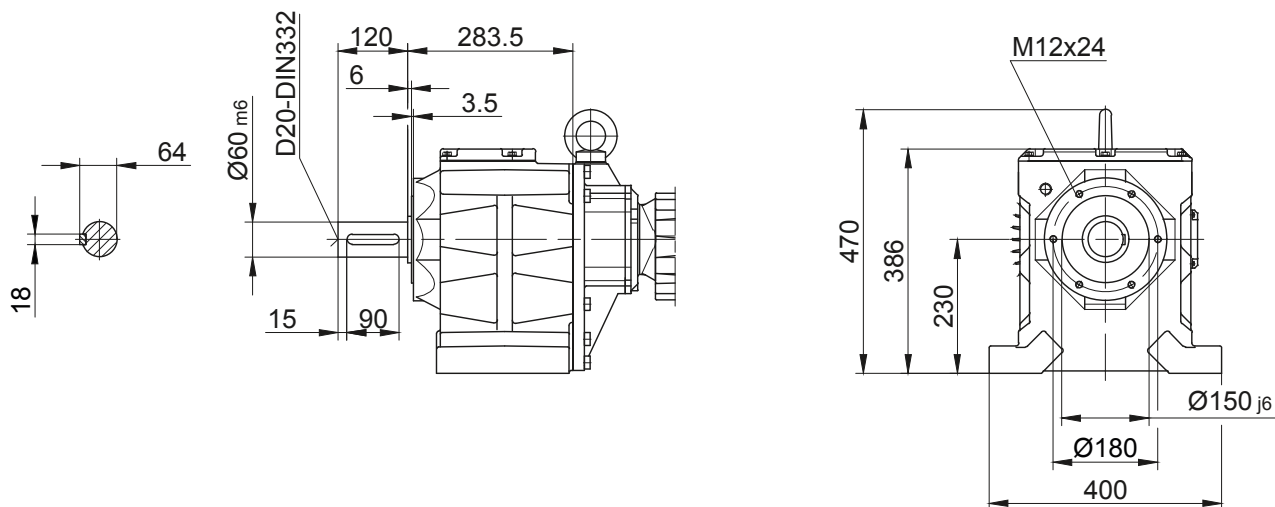
BG-series helical-geared motors

Dimension - Tandem Gearbox

BG70G20

Flange with tapped holes

Code -71/



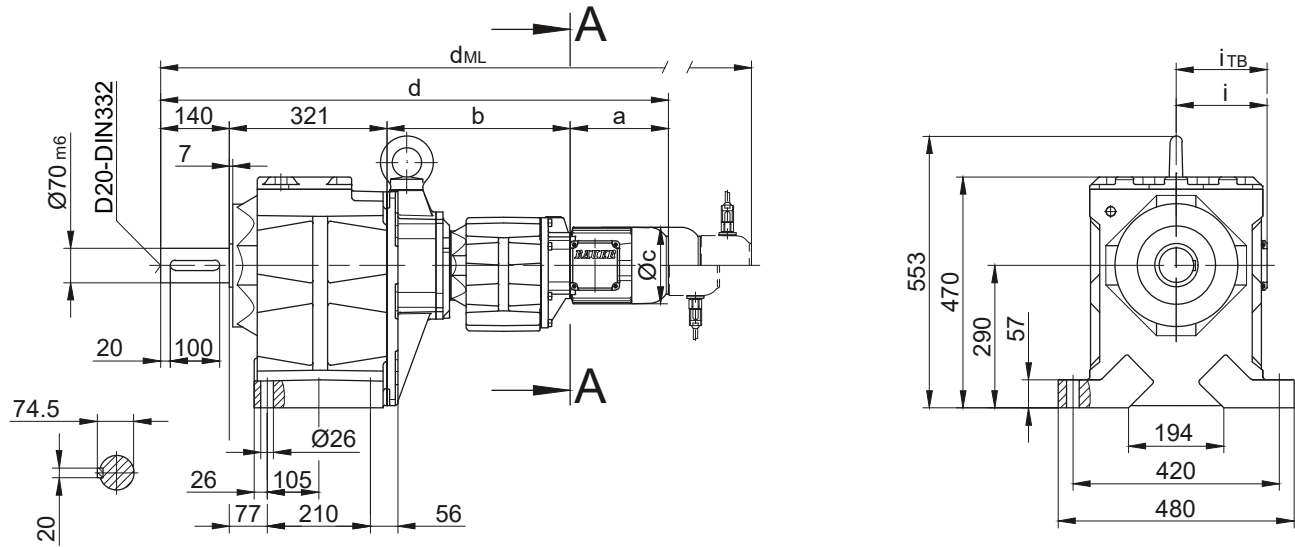
BG-series helical-geared motors

Dimension - Tandem Gearbox

BG80G40

Foot mounting with clearance holes

Code -11/

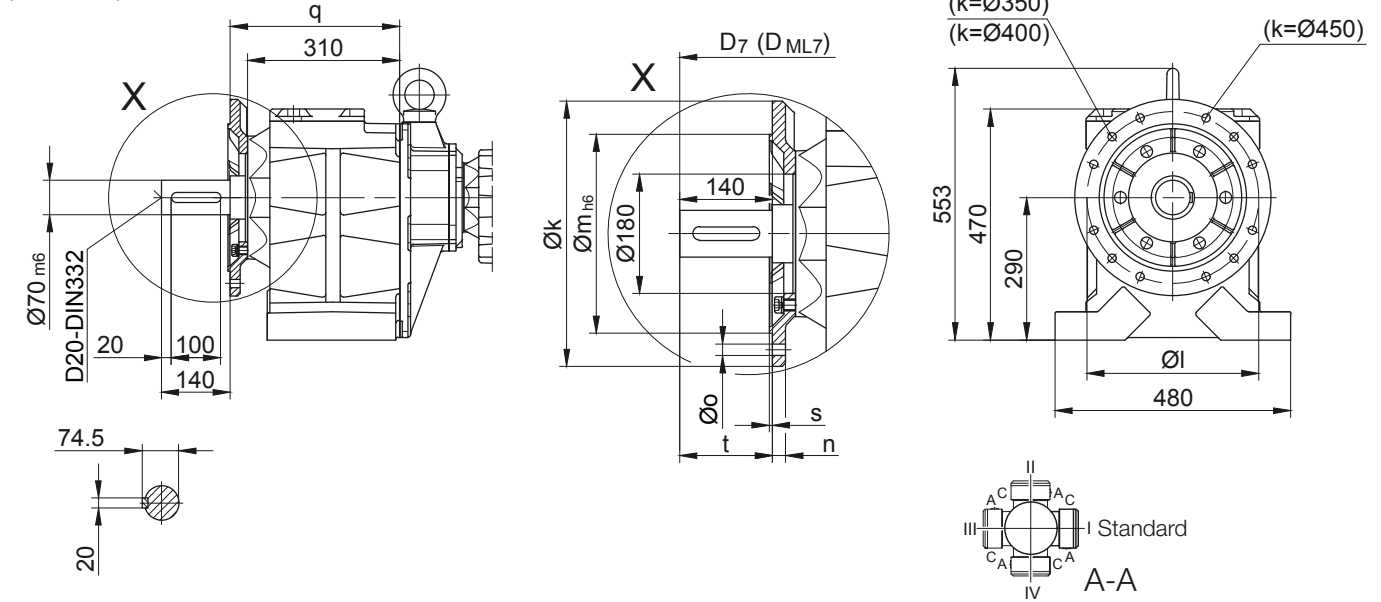


Flange with clearance holes

Code -37/

(Code -27/)

(Code -47/)



Type	Design	k	l	m	n	o	q	s	t	D_7	D_{ML7}
BG80..	Code -37/	400	350	300	20	4 x 17.5	345	5	140	$d+24$	$d_{ML}+24$
BG80..	Code -27/	350	300	250	20	4 x 17.5	345	5	140	$d+24$	$d_{ML}+24$
BG80..	Code -47/	450	400	350	22	8 x 17.5	355	5	130	$d+24$	$d_{ML}+24$

Dimensions in millimetres (mm)

Type	a	b	c	d	i	Design with motor extensions				
						i_{TB}	Brake	Encoder	Brake with Encoder	Back Stop
							d_{ML}	d_{ML}	d_{ML}	d_{ML}
BG80G40-../D..08.A.	199.5	373	156	1033.5	114.5	136.5	1099.5	1145.5	1207	1099.5
BG80G40-../D..08.B.	229.5	373	156	1063.5	114.5	136.5	1129.5	1175.5	1236.5	1129.5
BG80G40-../D..09.A.	250.5	387.5	176	1099	124	157	1192	1206.5	1296	1192
BG80G40-../D..09.B.	308.5	387.5	176	1157	124	157	1250	1264	1354	1250
BG80G40-../D..11.A.	319	394	218	1174	165	176	1272	1281.5	1374	1272
BG80G40-../D..11.B.	387	394	218	1242	165	176	1338	1349.5	1442	1338

Dimensions in millimetres (mm)

The actual gearbox design can vary from the geometry shown. Generate drive specific 3D and 2D geometries under www.BauerCat.com.

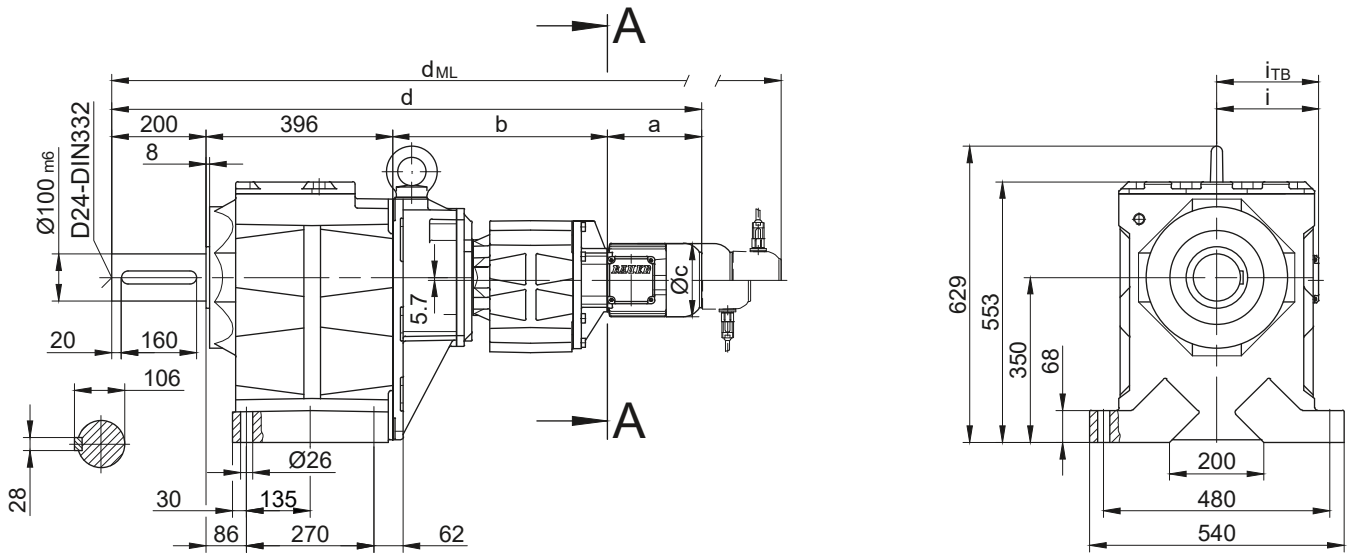
BG-series helical-geared motors

Dimension - Tandem Gearbox

BG90G50

Foot mounting with clearance holes

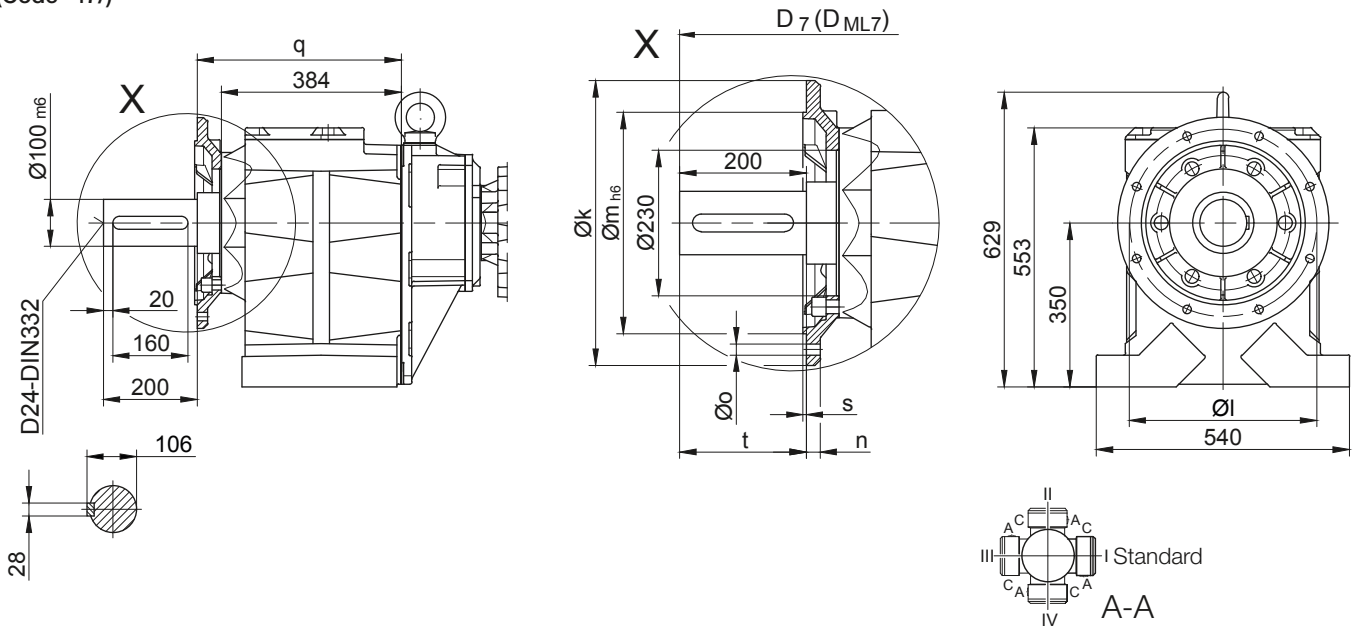
Code -11/



Flange with clearance holes

Code -37/

(Code -47/)



Flange Dimensions

Type	Design	k	l	m	n	o	q	s	t	D_7	D_{ML7}
BG90..	Code -37/	450	400	350	22	17.5	439	5	200	$d+43$	$d_{ML}+43$
BG90..	Code -47/	550	500	450	22	17.5	444	5	195	$d+43$	$d_{ML}+43$

Dimensions in millimetres (mm)

Type	a	b	c	d	i	Design with motor extensions				
						i_{TB}	Brake	Encoder	Brake with Encoder	Back Stop
							d_{ML}	d_{ML}	d_{ML}	d_{ML}
BG90G50-../D..08.A.	199.5	456	156	1251.5	114.5	136.5	1317.5	1363.5	1425	1317.5
BG90G50-../D..08.B.	229.5	456	156	1281.5	114.5	136.5	1347.5	1393.5	1454.5	1347.5
BG90G50-../D..09.A.	250.5	470.5	176	1317	124	157	1410	1424.5	1514	1410
BG90G50-../D..09.B.	308.5	470.5	176	1375	124	157	1468	1482	1572	1468
BG90G50-../D..11.A.	319	477	218	1392	165	176	1490	1499.5	1592	1490
BG90G50-../D..11.B.	387	477	218	1460	165	176	1556	1567.5	1660	1556
BG90G50-../D..13.A.	393	490	258	1479	217	217	1590	1586	1691	1587
BG90G50-../D..16.B.	454.5	504	310	1554.5	243	243	1698	1661.5	1801.5	1698
BG90G50-../D..18.B.	542	526	348	1664	288	288	1813.5	1769.5	1917	1813.5

Dimensions in millimetres (mm)

The actual gearbox design can vary from the geometry shown. Generate drive specific 3D and 2D geometries under www.BauerCat.com.

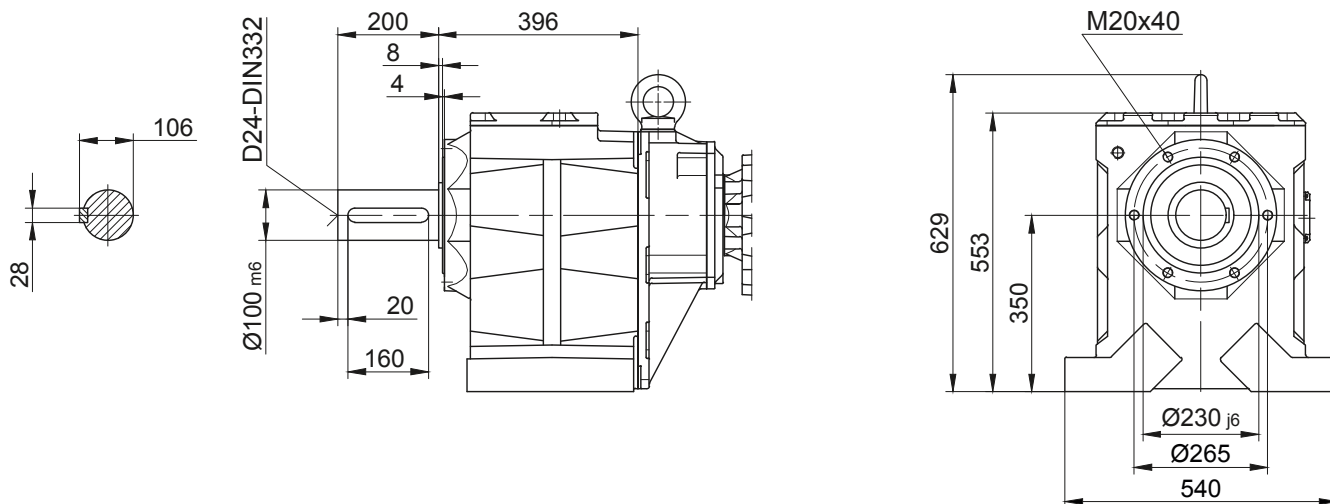
BG-series helical-geared motors

Dimension - Tandem Gearbox

BG90G50

Flange with tapped holes

Code -71/



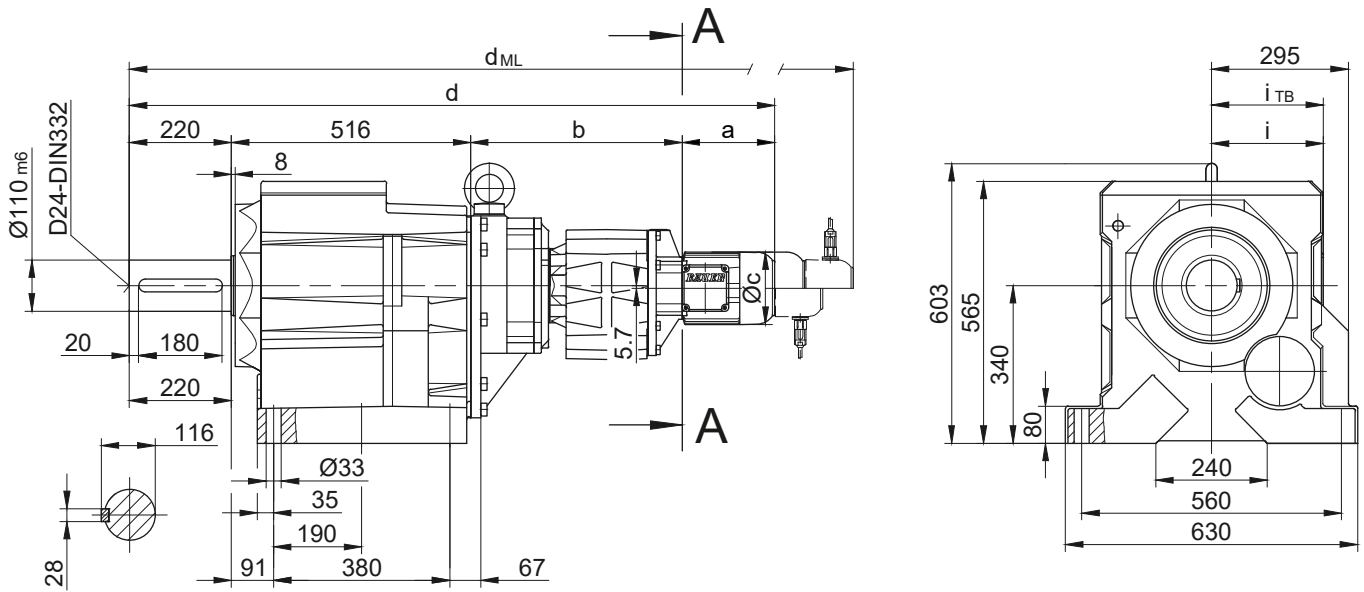
BG-series helical-geared motors

Dimension - Tandem Gearbox

BG100G50

Foot mounting with clearance holes

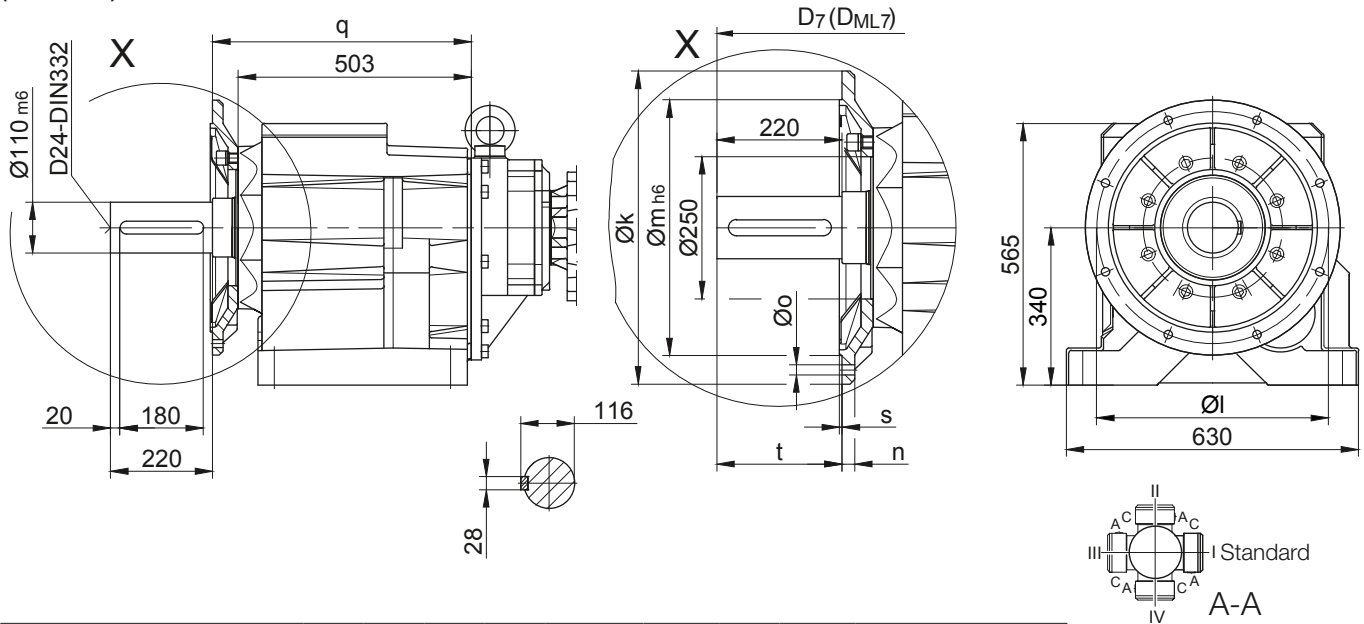
Code -11/



Flange with clearance holes

Code -37/

(Code -47/)



Flange Dimensions

Type	Design	k	l	m	n	o	q	s	t	D_7	D_{ML7}
BG100..	Code -37/	550	500	450	22	17.5	558	5	220	$d+42$	$d_{ML}+42$
BG100..	Code -47/	660	600	550	25	22	552	6	226	$d+42$	$d_{ML}+42$

Dimensions in millimetres (mm)

Type	a	b	c	d	i	Design with motor extensions				
						i_{TB}	Brake	Encoder	Brake with Encoder	Back Stop
							d_{ML}	d_{ML}	d_{ML}	d_{ML}
BG100G50-.../D..08.A.	199.5	456	156	1391.5	114.5	136.5	1457.5	1503.5	1565	1457.5
BG100G50-.../D..08.B.	229.5	456	156	1421.5	114.5	136.5	1487.5	1533.5	1594.5	1487.5
BG100G50-.../D..09.A.	250.5	470.5	176	1457	124	157	1550	1564.5	1654	1550
BG100G50-.../D..09.B.	308.5	470.5	176	1515	124	157	1608	1622	1712	1608
BG100G50-.../D..11.A.	319	477	218	1532	165	176	1630	1639.5	1732	1630
BG100G50-.../D..11.B.	387	477	218	1600	165	176	1696	1707.5	1800	1696
BG100G50-.../D..13.A.	393	490	258	1619	217	217	1730	1726	1831	1727
BG100G50-.../D..16.B.	454.5	504	310	1694.5	243	243	1838	1801.5	1941.5	1838
BG100G50-.../D..18.B.	542	526	348	1804	288	288	1953.5	1909.5	2057	1953.5

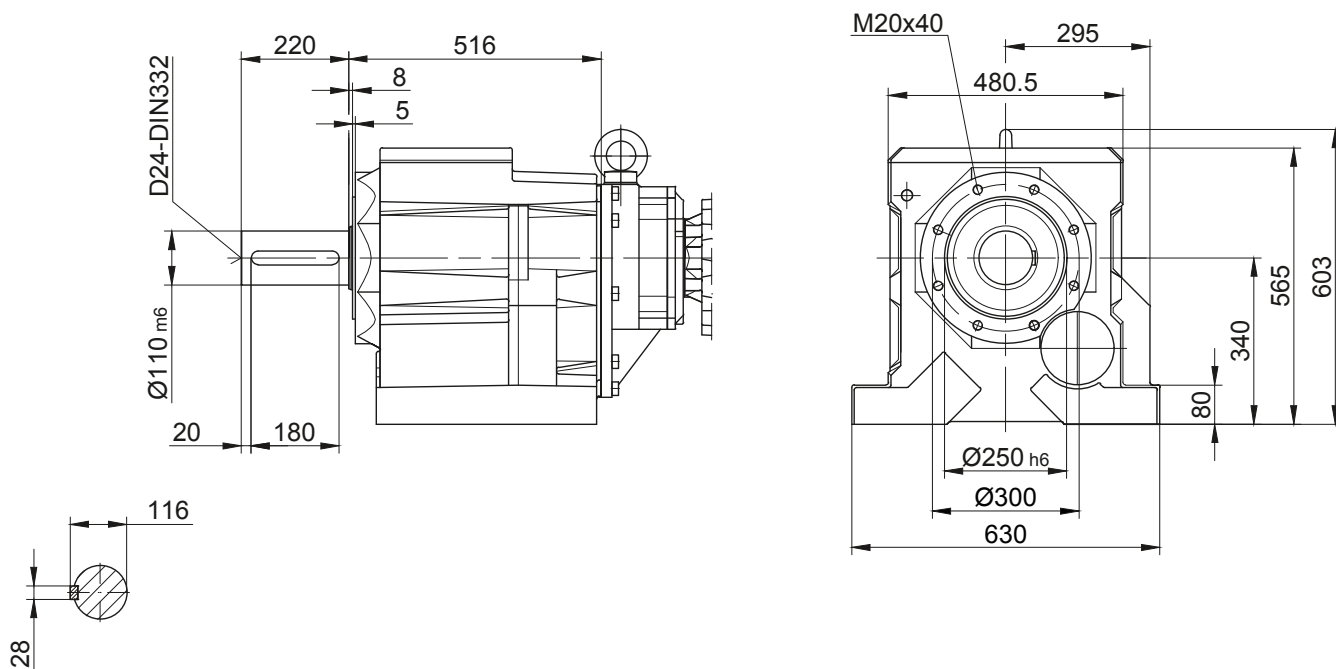
Dimensions in millimetres (mm)

The actual gearbox design can vary from the geometry shown. Generate drive specific 3D and 2D geometries under www.BauerCat.com.

BG100G50

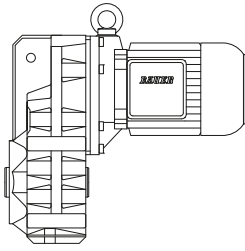
Flange with tapped holes

Code -71/



Energy Efficient Geared Motors

AC Line Operated / European Union



11

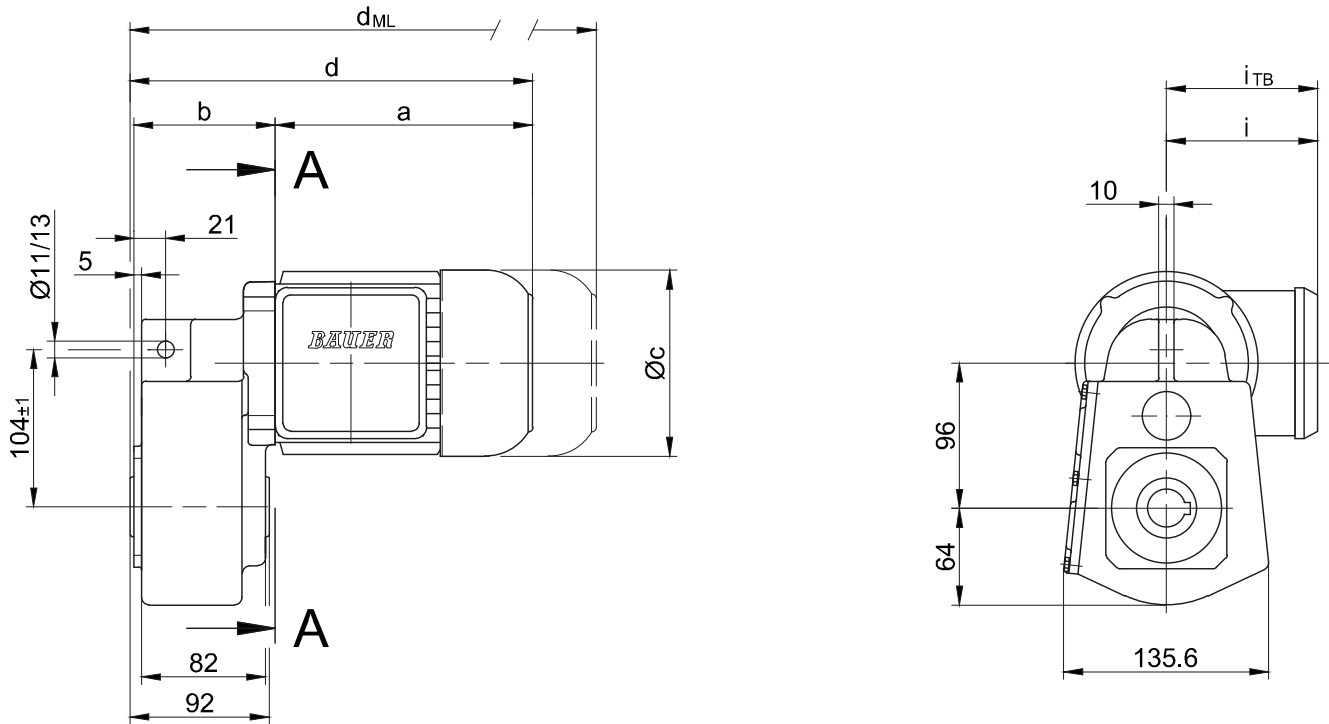
BF-series shaft-mounted geared motors - Dimensions

Dimension - Standard	288
BF06.....	288
BF10-BF10Z.....	290
BF20-BF20Z.....	292
BF30-BF30Z.....	294
BF40-BF40Z.....	296
BF50-BF50Z.....	298
BF60-BF60Z.....	300
BF70-BF70Z.....	302
BF80-BF80Z.....	304
BF90-BF90Z.....	306
Dimension - Tandem Gearbox.....	308
BF10G06.....	308
BF20G06.....	310
BF30G06.....	312
BF40G10.....	314
BF50G10.....	316
BF60G20.....	318
BF70G20.....	320
BF80G40.....	322
BF90G50.....	324
Additional Dimension Sheet	327
Splined shaft.....	327
Shrink disc coupling (SSV).....	328
Shrink disc coupling with (SSV) cover.....	329
Tapped Holes Side (H) → Shaft Cover.....	330
Rubber buffer for torque restraint.....	331
Assembly tools for hollow shaft and keyway.....	332
Assembly tools for shaft mounted gears with splined shaft.....	334
Shaft cap (VK).....	336
Shaft cover (VD).....	337

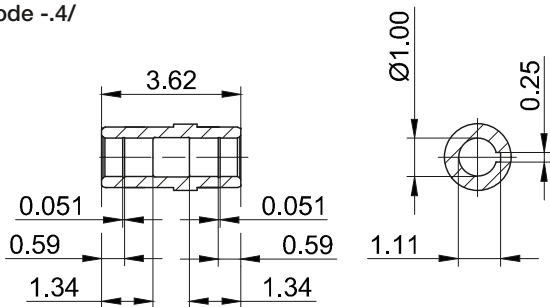
BF-series shaft-mounted geared motors

Dimension - Standard

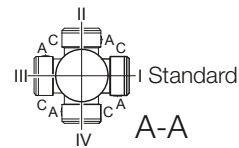
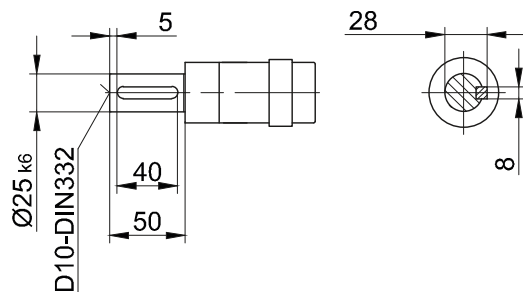
BF06
with torque arm
Code -0./



Code -4/



Code -1/



Type	a	b	c	d	i	Design with motor extensions				
						i _{TB}	Brake	Encoder	Brake with Encoder	Back Stop
							d _{ML}	d _{ML}	d _{ML}	d _{ML}
BF06-../D..05.A.	170.5	93.5	123	266.5	101	117	306	366.5	404	-
BF06-../D..06.A.	170.5	93.5	123	266.5	99	119	306	366.5	404	-
BF06-../D..07.A.	190.5	93.5	123	286.5	99	119	326	386.5	424	-
BF06-../D..08.A.	199.5	141.5	156	343.5	114.5	136.5	407	453	514.5	407
BF06-../D..08.B.	229.5	141.5	156	373.5	114.5	136.5	437	483	544	437

Dimensions in millimetres (mm)

The actual gearbox design can vary from the geometry shown. Generate drive specific 3D and 2D geometries under www.BauerCat.com.

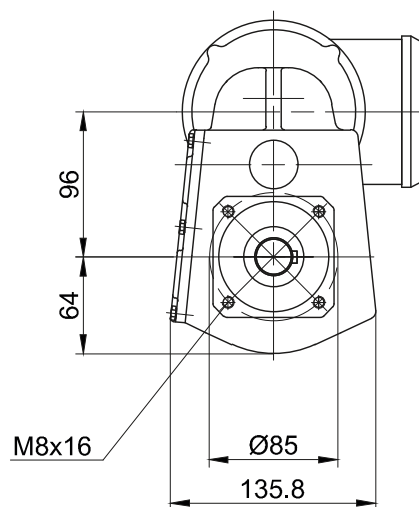
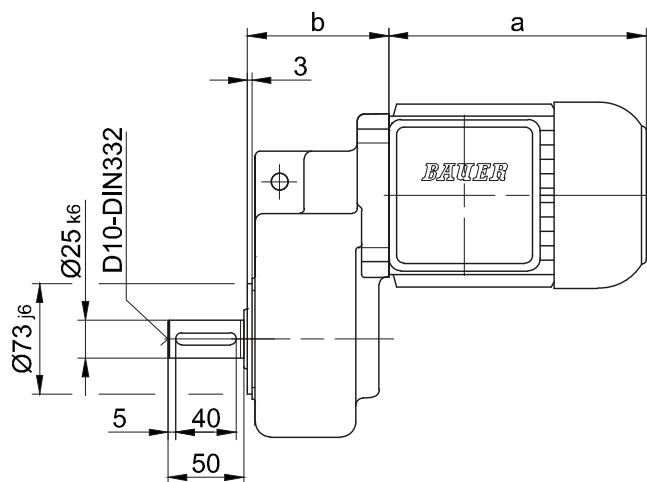
BF-series shaft-mounted geared motors

Dimension - Standard

BF06

Flange with tapped holes

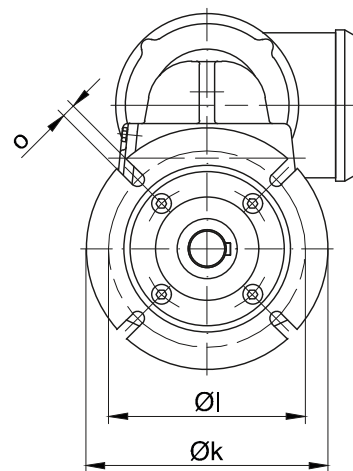
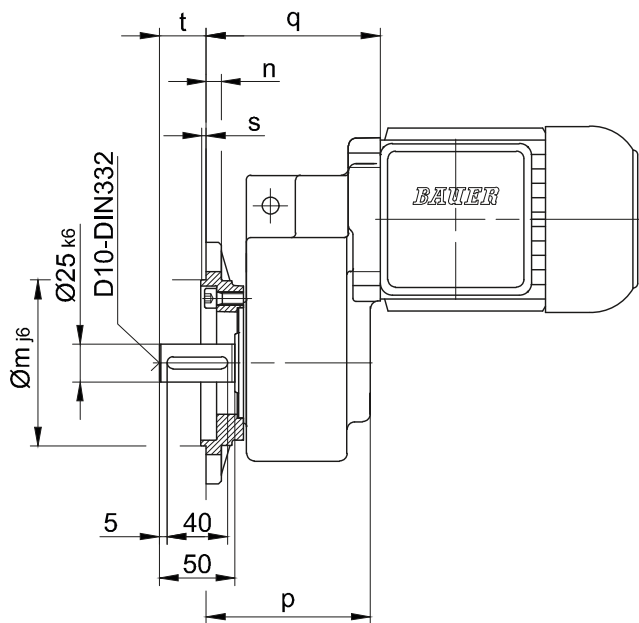
Code -7./



Flange with clearance holes

Code -3.V/

(Code -4.V/)



11

Flange Dimensions											
Type	Design	k	l	m	n	o	p	q ¹⁾	q ²⁾	s	t
BF06	Code -3./	140	115	95	10	9	108.5	115	163	3	31
BF06	Code -4./	160	130	110	10	9	108.5	115	163	3.5	31

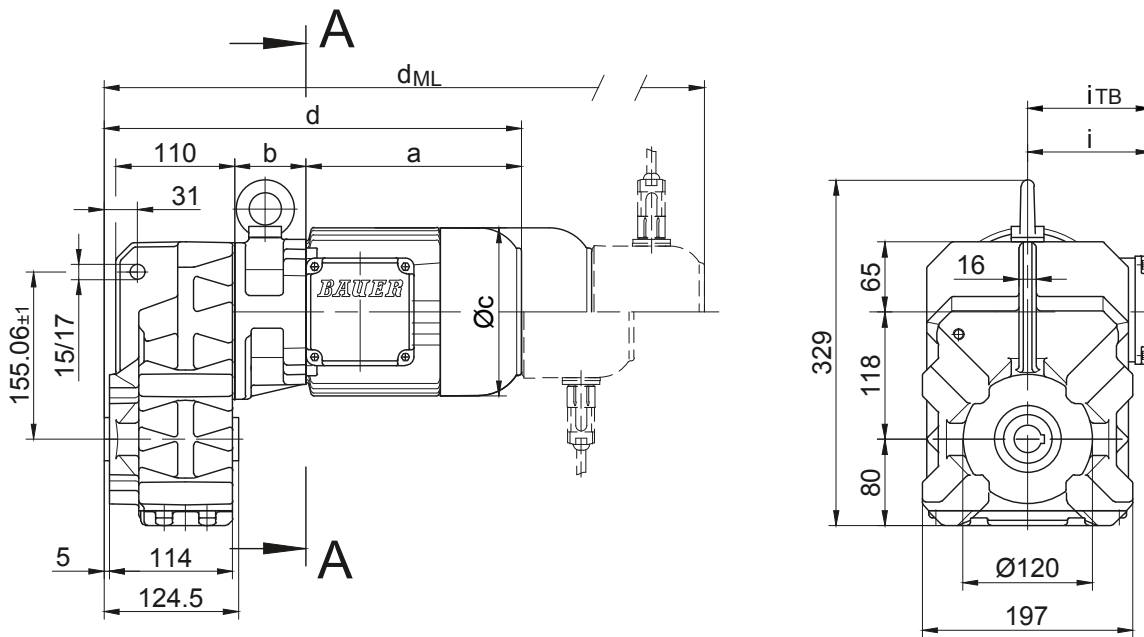
q¹⁾ only for D05; D06; D07
q²⁾ only for D08..

The actual gearbox design can vary from the geometry shown. Generate drive specific 3D and 2D geometries under www.BauerCat.com.

BF-series shaft-mounted geared motors

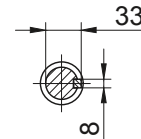
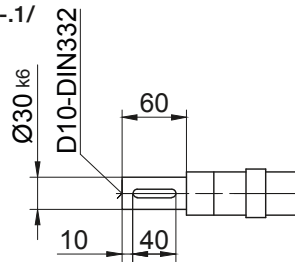
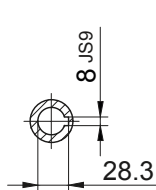
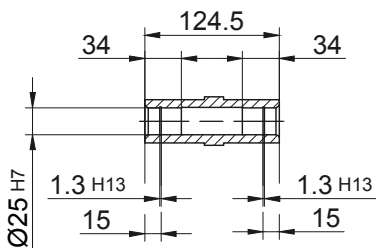
Dimension - Standard

BF10-BF10Z
with torque arm
Code -0./

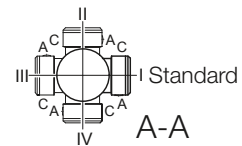
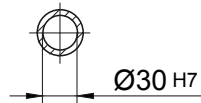
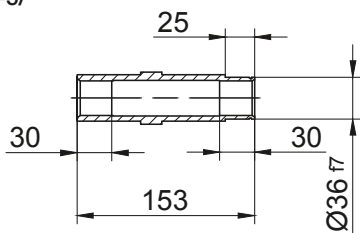


Code -./

Code -./



Code -./



Type	a	b	c	d	i	Design with motor extensions				
						i _{TB}	Brake	Encoder	Brake with Encoder	Back Stop
							d _{ML}	d _{ML}	d _{ML}	d _{ML}
BF10Z-../D04.A.	142.5	86	110.5	349.5	90	112	393	437	480.5	-
BF10-../D..05.A.	170.5	62	123	353.5	101	117	395.5	456	493.5	-
BF10Z-../D..05.A.	170.5	88	123	379.5	101	117	421.6	482	519.5	-
BF10-../D..06.A.	170.5	62	123	353.5	99	119	395.5	456	493.5	-
BF10Z-../D..06.A.	170.5	88	123	379.5	99	119	421.5	482	519.5	-
BF10-../D..07.A.	190.5	62	123	373.5	99	119	415.5	476	513.5	-
BF10Z-../D..07.A.	190.5	88	123	399.5	99	119	441.5	502	539.5	-
BF10-../D..08.A.	199.5	66	156	386.5	114.5	136.5	452.5	498.5	560	452.5
BF10Z-../D..08.A.	199.5	132	156	452.5	114.5	136.5	518.5	564.5	626	518.5
BF10-../D..08.B.	229.5	66	156	416.5	114.5	136.5	482.5	528.5	589.5	482.5
BF10Z-../D..08.B.	229.5	132	156	482.5	114.5	136.5	548.5	594.5	655.5	548.5
BF10-../D..09.A.	250.5	80.5	176	452	124	157	545	559.5	649	545
BF10-../D..09.B.	308.5	80.5	176	510	124	157	603	617	707	603

Dimensions in millimetres (mm)

The actual gearbox design can vary from the geometry shown. Generate drive specific 3D and 2D geometries under www.BauerCat.com.

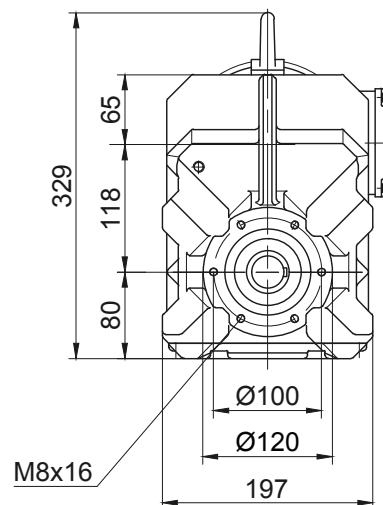
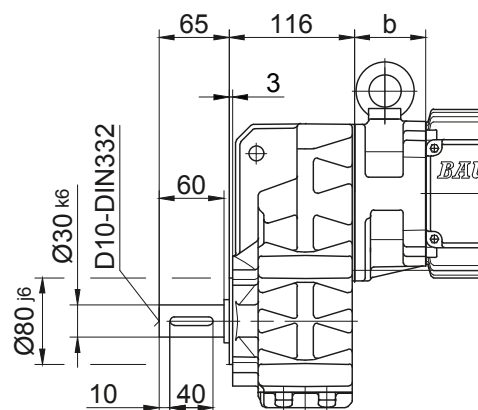
BF-series shaft-mounted geared motors

Dimension - Standard

BF10-BF10Z

Flange with tapped holes

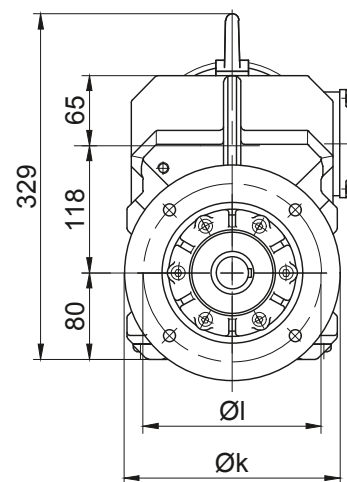
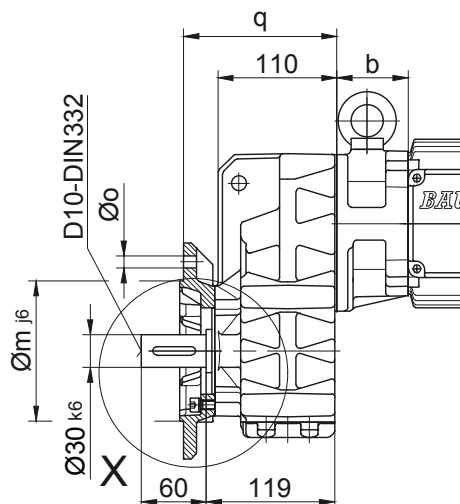
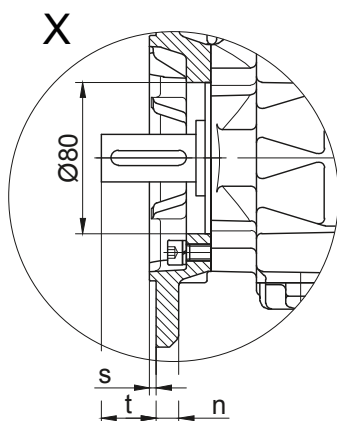
Code -7./



Flange with clearance holes

Code -3./

(Code -2./)



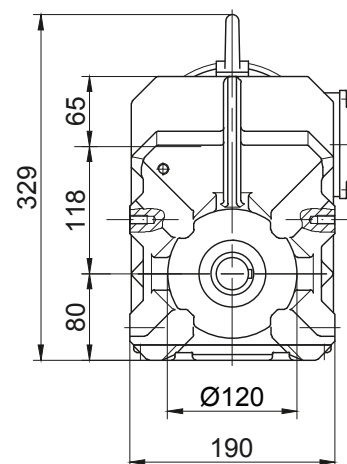
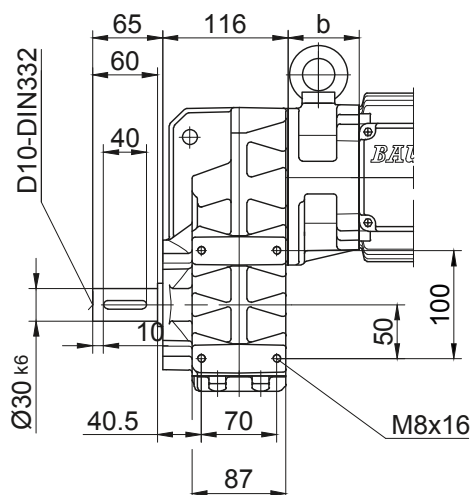
Flange Dimensions

Type	Design	k	l	m	n	o	q	s	t
BF10..	Code -3./	200	165	130	12	11	142	3.5	39
BF10..	Code -2./	160	130	110	10	9	135	3.5	46

Dimensions in millimetres (mm)

Foot with tapped holes left and right

Code -6.LR/

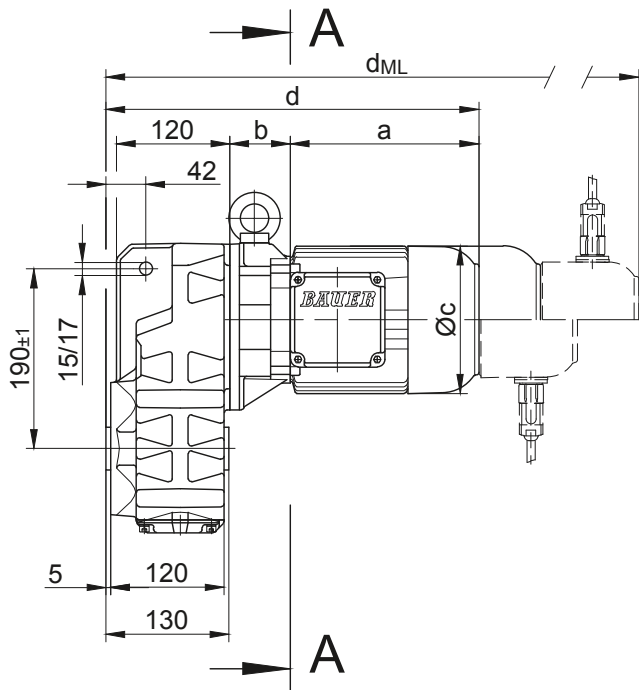


The actual gearbox design can vary from the geometry shown. Generate drive specific 3D and 2D geometries under www.BauerCat.com.

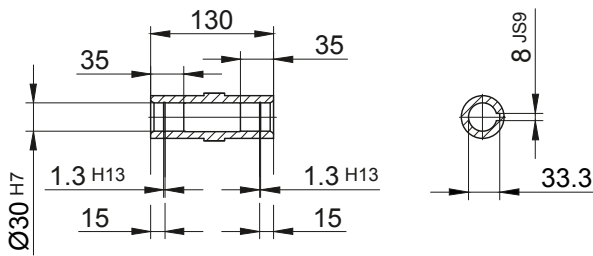
BF-series shaft-mounted geared motors

Dimension - Standard

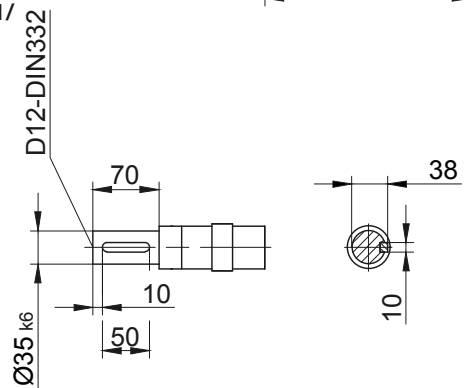
BF20-BF20Z
with torque arm
Code -0./



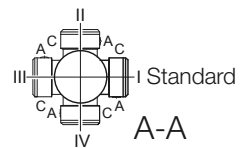
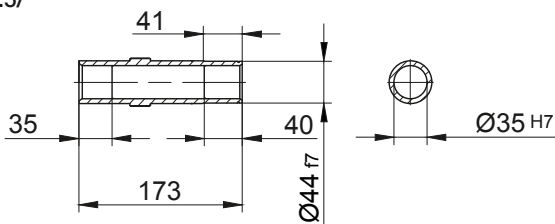
Code -4/



Code -1/



Code -5/



Type	a	b	c	d	i	Design with motor extensions				
						i _{TB}	Brake	Encoder	Brake with Encoder	Back Stop
							d _{ML}	d _{ML}	d _{ML}	d _{ML}
BF20Z-../D04.A.	142.5	100	110.5	373.5	90	112	417	461	504.5	-
BF20-../D..05.A.	170.5	60	123	361.5	101	117	403.5	464	501.5	-
BF20Z-../D..05.A.	170.5	102	123	403.5	101	117	445.5	506	543.5	-
BF20-../D..06.A.	170.5	60	123	361.5	99	119	403.5	464	501.5	-
BF20Z-../D..06.A.	170.5	102	123	403.5	99	119	445.5	506	543.5	-
BF20-../D..07.A.	190.5	60	123	381.5	99	119	423.5	484	521.5	-
BF20Z-../D..07.A.	190.5	102	123	423.5	99	119	465.5	526	563.5	-
BF20-../D..08.A.	199.5	64	156	394.5	114.5	136.5	460.5	506.5	568	460.5
BF20Z-../D..08.A.	199.5	146	156	476.5	114.5	136.5	542.5	588.5	650	542.5
BF20-../D..08.B.	229.5	64	156	424.5	114.5	136.5	490.5	536.5	597.5	490.5
BF20Z-../D..08.B.	229.5	146	156	506.5	114.5	136.5	572.5	618.5	679.5	572.5
BF20-../D..09.A.	250.5	78.5	176	460	124	157	553	567.5	657	553
BF20Z-../D..09.B.	308.5	78.5	176	518	124	157	611	625	715	611

Dimensions in millimetres (mm)

The actual gearbox design can vary from the geometry shown. Generate drive specific 3D and 2D geometries under www.BauerCat.com.

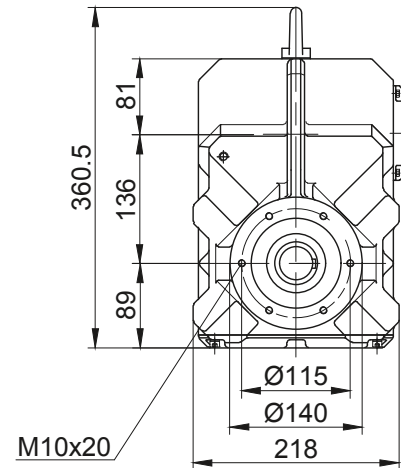
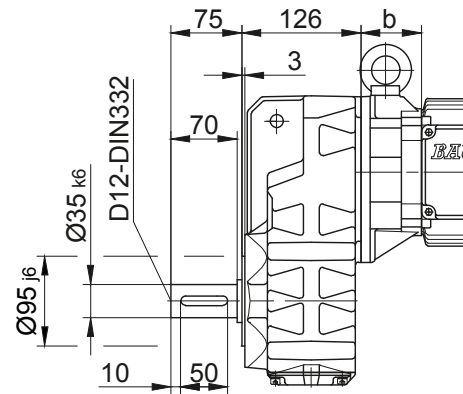
BF-series shaft-mounted geared motors

Dimension - Standard

BF20-BF20Z

Flange with tapped holes

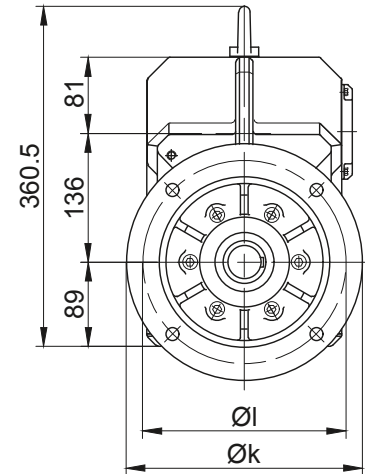
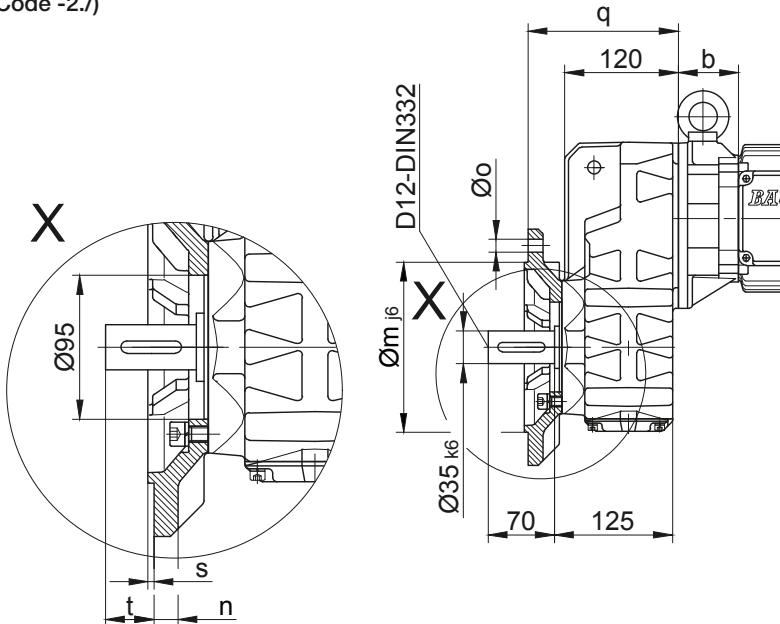
Code -7./



Flange with clearance holes

Code -3./

(Code -2./)



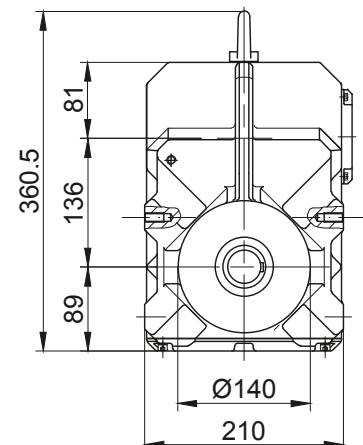
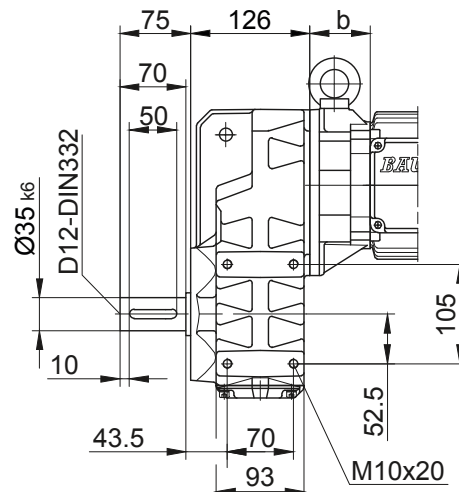
Flange Dimensions

Type	Design	k	l	m	n	o	q	s	t
BF20..	Code -3./	250	215	180	16	13.5	159	4	42
BF20..	Code -2./	200	165	130	12	11	150	3.5	51

Dimensions in millimetres (mm)

Foot with tapped holes left and right

Code -6.LR/

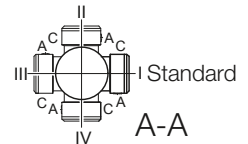
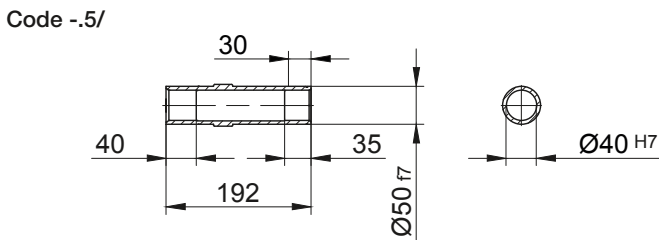
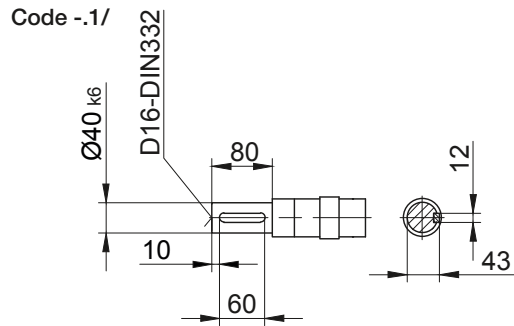
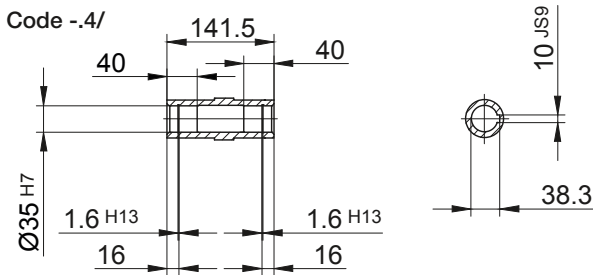
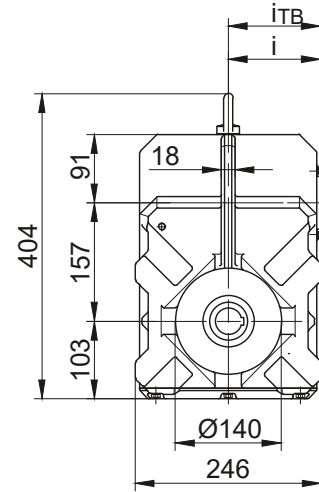
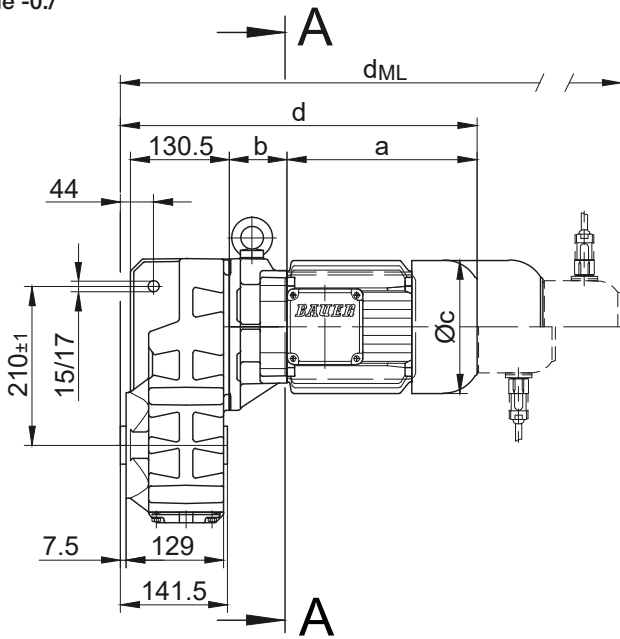


The actual gearbox design can vary from the geometry shown. Generate drive specific 3D and 2D geometries under www.BauerCat.com.

BF-series shaft-mounted geared motors

Dimension - Standard

BF30-BF30Z
with torque arm
Code -0./



Type	a	b	c	d	i	Design with motor extensions				
						i _{TB}	Brake	Encoder	Brake with Encoder	Back Stop
							d _{ML}	d _{ML}	d _{ML}	d _{ML}
BF30-../D..05.A.	170.5	58	123	372.5	101	117	414.5	475	512.5	-
BF30Z-../D..05.A.	170.5	133.5	123	448	101	117	490	550.5	588	-
BF30-../D..06.A.	170.5	58	123	372.5	99	119	414.5	475	512.5	-
BF30Z-../D..06.A.	170.5	133.5	123	448	99	119	490	550.5	588	-
BF30-../D..07.A.	190.5	58	123	392.5	99	119	434.5	495	532.5	-
BF30Z-../D..07.A.	190.5	133.5	123	468	99	119	510	570.5	608	-
BF30-../D..08.A.	199.5	62	156	405.5	114.5	136.5	471.5	517.5	579	471.5
BF30Z-../D..08.A.	199.5	137.5	156	481	114.5	136.5	547	593	654.5	547
BF30-../D..08.B.	229.5	62	156	435.5	114.5	136.5	501.5	547.5	608.5	501.5
BF30Z-../D..08.B.	229.5	137.5	156	511	114.5	136.5	577	623	684	577
BF30-../D..09.A.	250.5	76.5	176	471	124	157	564	578.5	668	564
BF30Z-../D..09.A.	250.5	152	176	546.5	124	157	639.5	654	743.5	639.5
BF30-../D..09.B.	308.5	76.5	176	529	124	157	622	636	726	622
BF30Z-../D..09.B.	308.5	152	176	604.5	124	157	697.5	711.5	801.5	697.5
BF30-../D..11.A.	319	83	218	546	165	176	644	653.5	746	644
BF30Z-../D..11.B.	387	83	218	614	165	176	710	721.5	814	710

Dimensions in millimetres (mm)

The actual gearbox design can vary from the geometry shown. Generate drive specific 3D and 2D geometries under www.BauerCat.com.

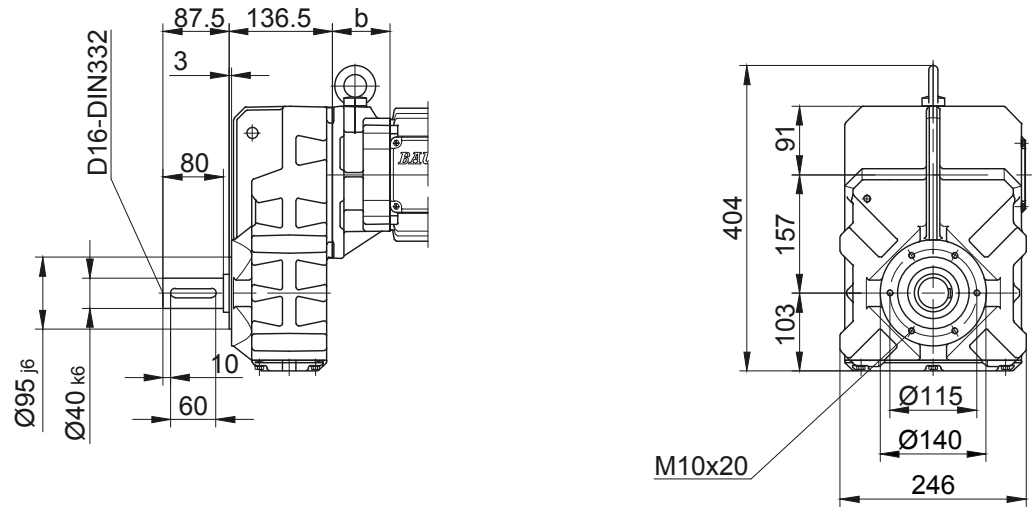
BF-series shaft-mounted geared motors

Dimension - Standard

BF30-BF30Z

Flange with tapped holes

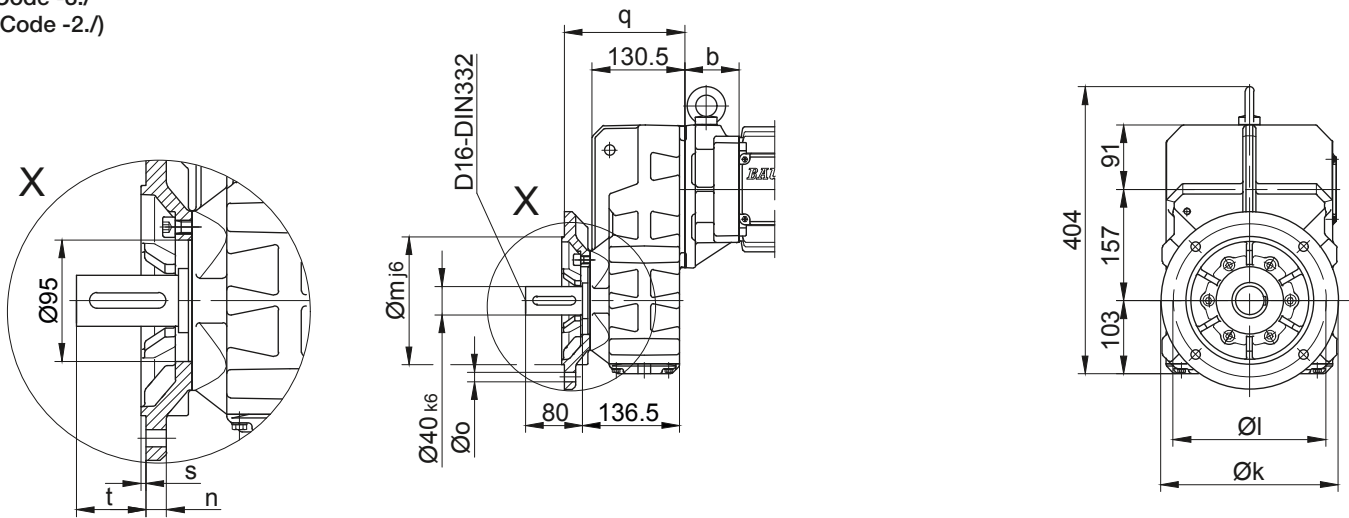
Code -7./



Flange with clearance holes

Code -3./

(Code -2./)

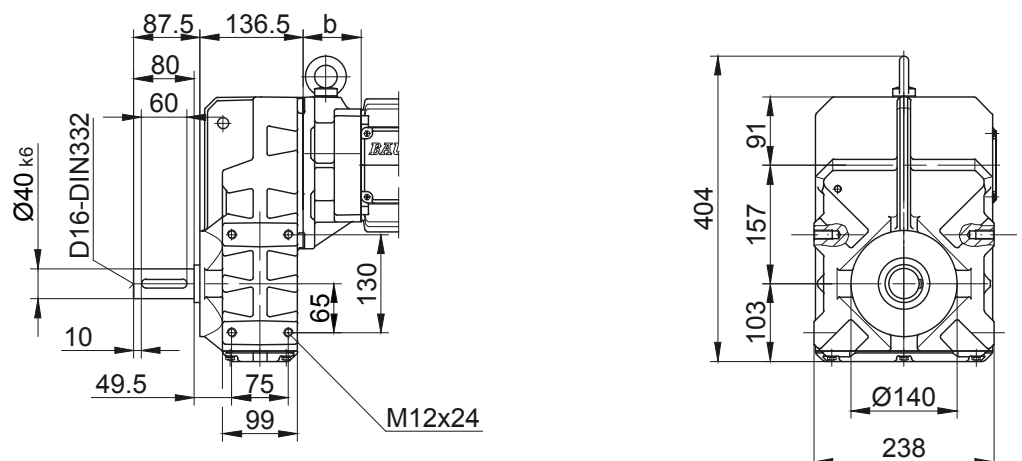


Flange Dimensions									
Type	Design	k	l	m	n	o	q	s	t
BF30..	Code -3./	250	215	180	16	13.5	169.5	4	54.5
BF30..	Code -2./	200	165	130	12	11	160.5	3.5	63.5

Dimensions in millimetres (mm)

Foot with tapped holes left and right

Code -6.LR/

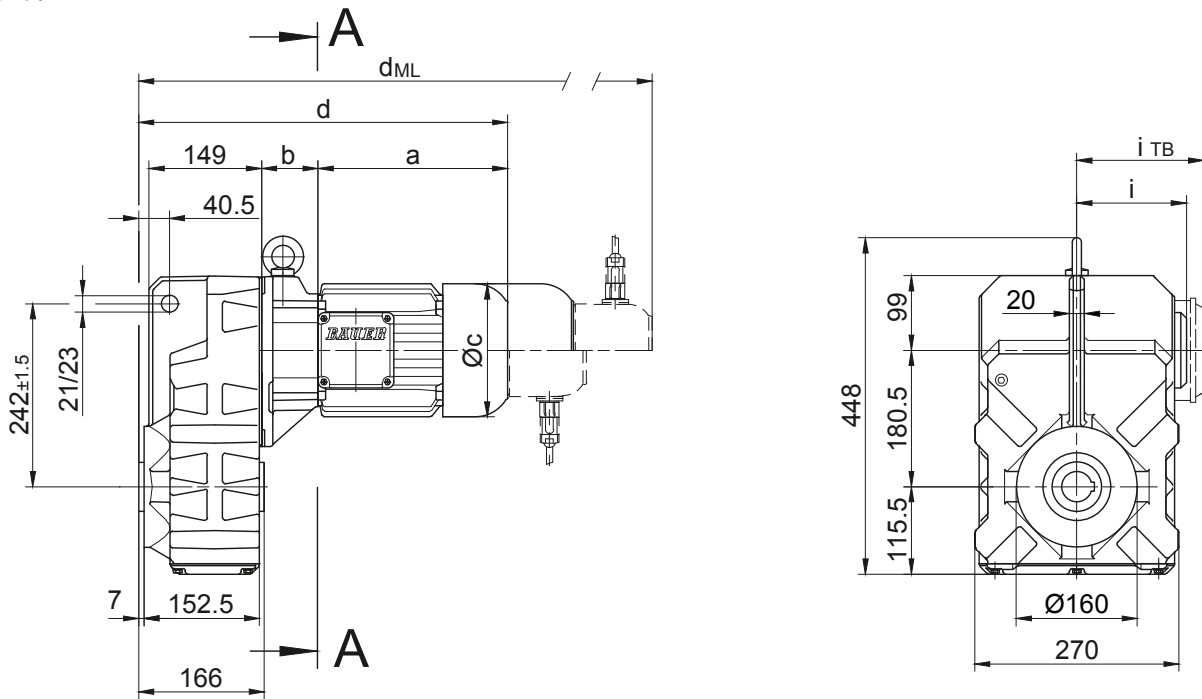


The actual gearbox design can vary from the geometry shown. Generate drive specific 3D and 2D geometries under www.BauerCat.com.

BF-series shaft-mounted geared motors

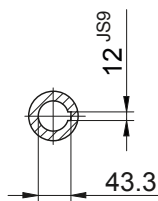
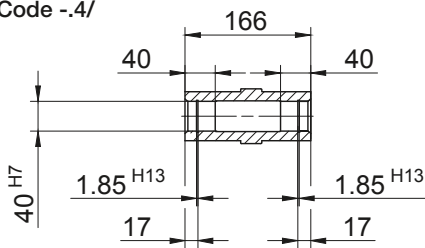
Dimension - Standard

BF40-BF40Z
with torque arm
Code -0./

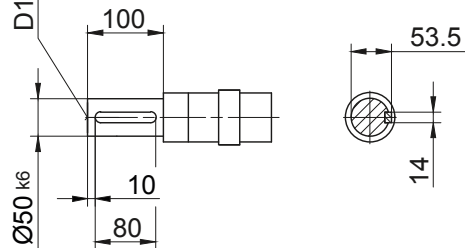


Code -1/

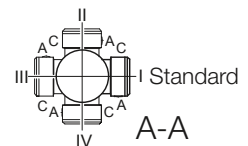
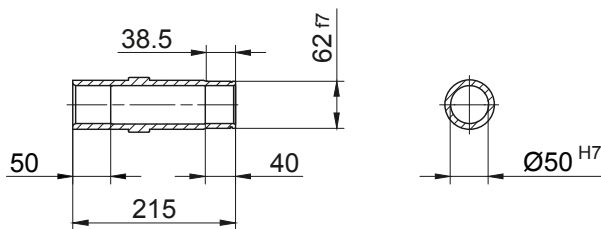
Code -4/



D16-DIN332



Code -5/



Type	a	b	c	d	i	Design with motor extensions				
						i _{TB}	Brake	Encoder	Brake with Encoder	Back Stop
							d _{ML}	d _{ML}	d _{ML}	d _{ML}
BF40Z-../D..05.A.	170.5	138.5	123	471.5	101	117	513.5	574	611.5	-
BF40Z-../D..06.A.	170.5	138.5	123	471.5	99	119	513.5	574	611.5	-
BF40Z-../D..07.A.	190.5	138.5	123	491.5	99	119	533.5	594	631.5	-
BF40-../D..08.A.	199.5	60	156	422	114.5	136.5	488	534	595.5	488
BF40Z-../D..08.A.	199.5	142.5	156	504.5	114.5	136.5	570.5	616.5	678	570.5
BF40-../D..08.B.	229.5	60	156	452	114.5	136.5	518	564	625	518
BF40Z-../D..08.B.	229.5	142.5	156	534.5	114.5	136.5	600.5	646.5	707.5	600.5
BF40-../D..09.A.	250.5	74.5	176	487.5	124	157	580.5	595	684.5	580.5
BF40Z-../D..09.A.	250.5	157	176	570	124	157	663	677.5	767	663
BF40-../D..09.B.	308.5	74.5	176	545.5	124	157	638.5	652.5	742.5	638.5
BF40Z-../D..09.B.	308.5	157	176	628	124	157	721	735	825	721
BF40-../D..11.A.	319	81	218	562.5	165	176	660.5	670	762.5	660.5
BF40-../D..11.B.	387	81	218	630.5	165	176	726.5	738	830.5	726.5

Dimensions in millimetres (mm)

The actual gearbox design can vary from the geometry shown. Generate drive specific 3D and 2D geometries under www.BauerCat.com.

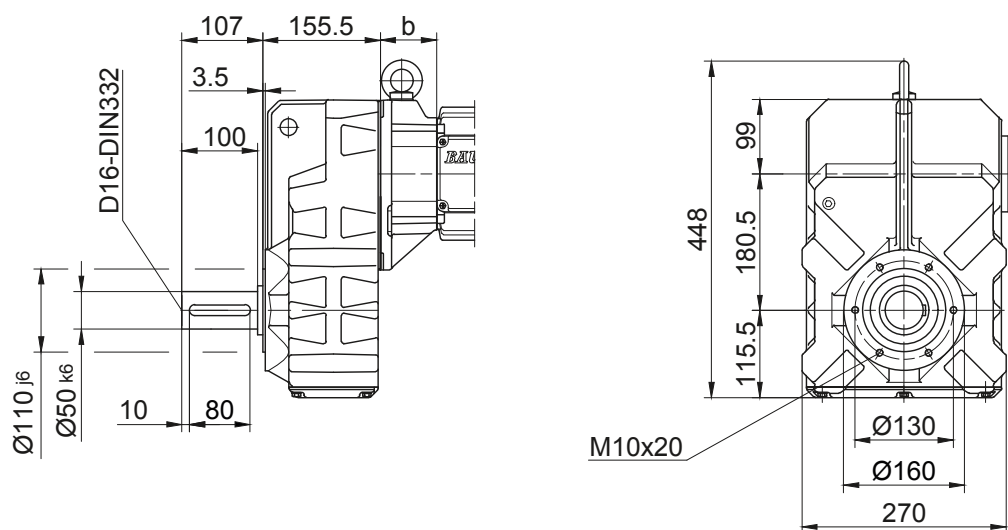
BF-series shaft-mounted geared motors

Dimension - Standard

BF40-BF40Z

Flange with tapped holes

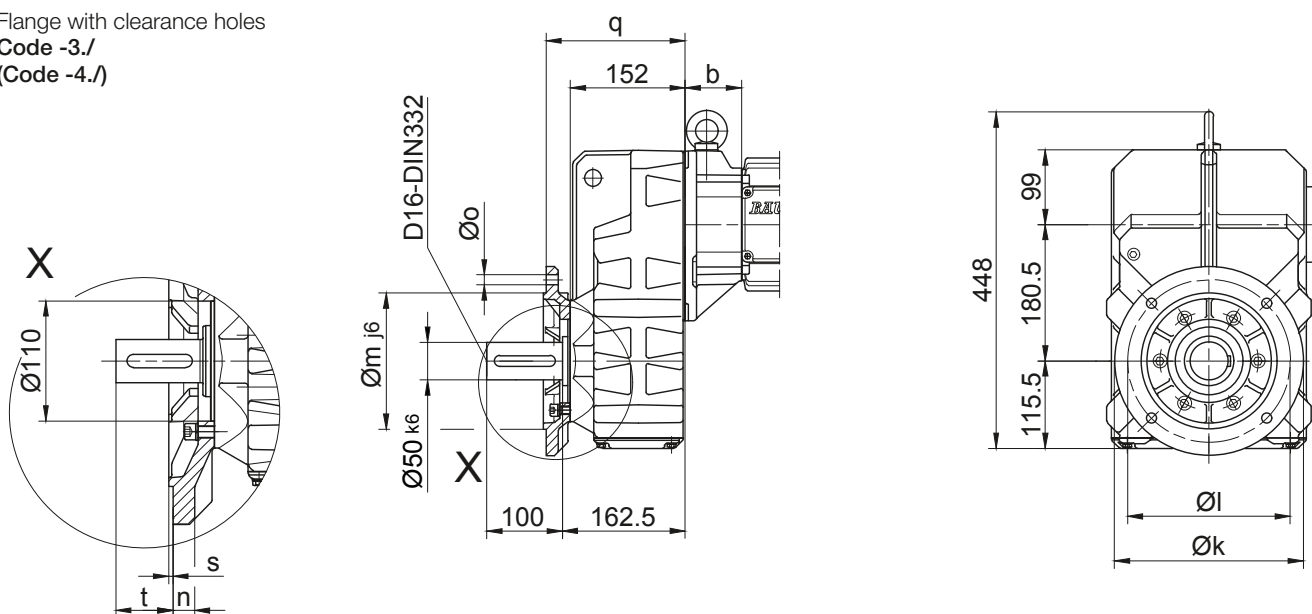
Code -7./



Flange with clearance holes

Code -3./

(Code -4./)



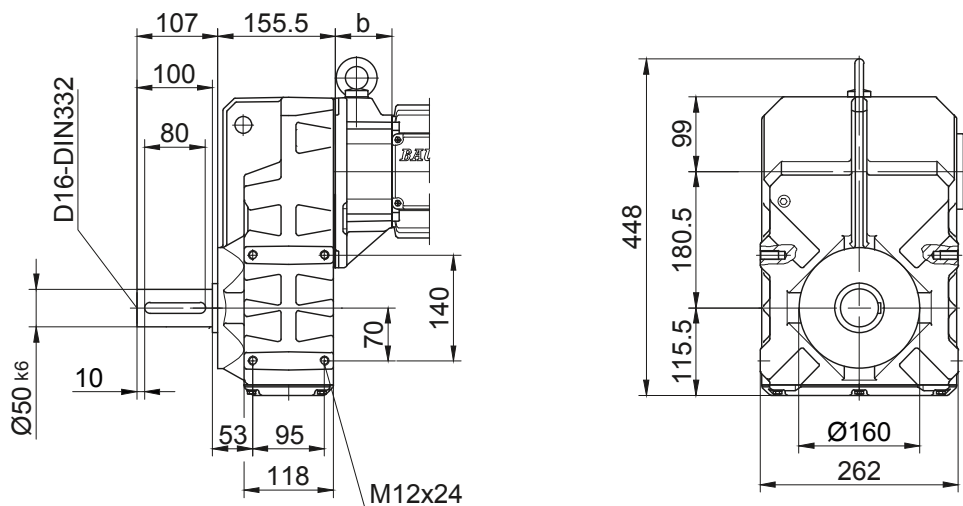
Flange Dimensions

Type	Design	k	l	m	n	o	q	s	t
BF40..	Code -3./	250	215	180	16	13.5	184	4	78.5
BF40..	Code -4./	300	265	230	20	13.5	190	4	72.5

Dimensions in millimetres (mm)

Foot with tapped holes left and right

Code -6.LR/

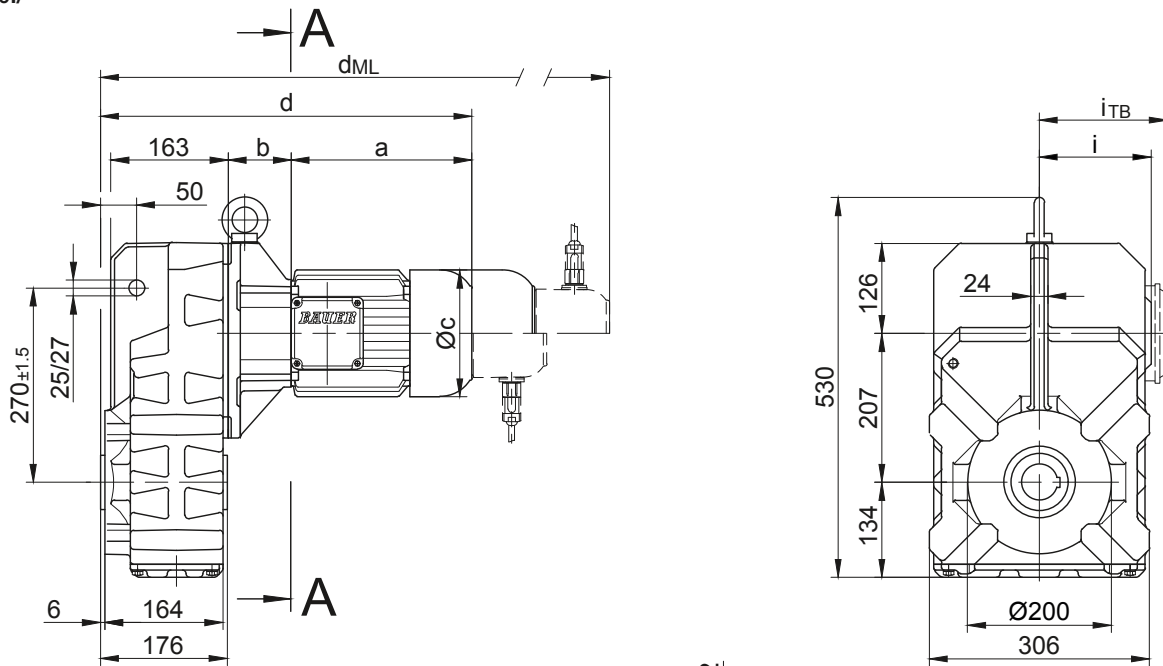


The actual gearbox design can vary from the geometry shown. Generate drive specific 3D and 2D geometries under www.BauerCat.com.

BF-series shaft-mounted geared motors

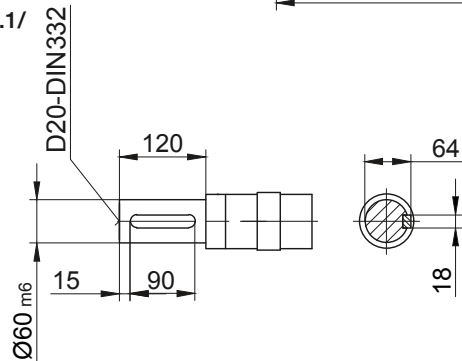
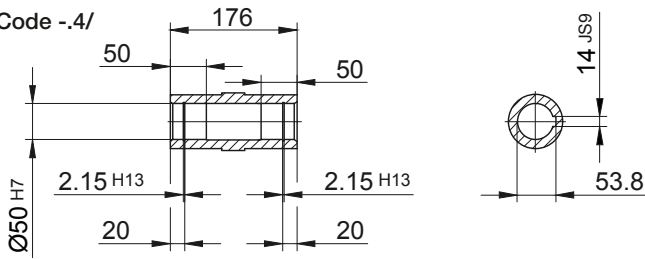
Dimension - Standard

BF50-BF50Z
with torque arm
Code -0./

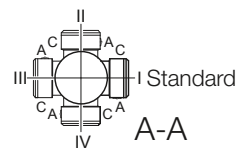
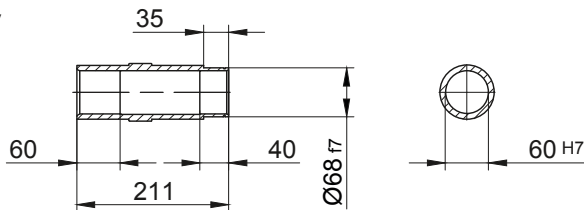


Code -1./

Code -4./



Code -5./



Type	a	b	c	d	i	Design with motor extensions				
						i _{TB}	Brake	Encoder	Brake with Encoder	Back Stop
							d _{ML}	d _{ML}	d _{ML}	d _{ML}
BF50Z-../D..05.A.	170.5	155	123	503	101	117	545	605.5	643	-
BF50Z-../D..06.A.	170.5	155	123	503	99	119	545	605.5	643	-
BF50Z-../D..07.A.	190.5	155	123	523	99	119	565	625.5	663	-
BF50-../D..08.A.	199.5	73	156	450	114.5	136.5	516	562	623.5	516
BF50Z-../D..08.A.	199.5	159	156	536	114.5	136.5	602	648	709.5	602
BF50-../D..08.B.	229.5	73	156	480	114.5	136.5	546	592	653	546
BF50Z-../D..08.B.	229.5	159	156	566	114.5	136.5	632	678	739	632
BF50-../D..09.A.	250.5	87.5	176	515.5	124	157	608.5	623	712.5	608.5
BF50Z-../D..09.A.	250.5	173.5	176	601.5	124	157	694.5	709	798.5	694.5
BF50-../D..09.B.	308.5	87.5	176	573.5	124	157	666.5	680.5	770.5	666.5
BF50Z-../D..09.B.	308.5	173.5	176	659.5	124	157	752.5	766.5	856.5	752.5
BF50-../D..11.A.	319	94	218	590.5	165	176	688.5	698	790.5	688.5
BF50-../D..11.B.	387	94	218	658.5	165	176	754.5	766	858.5	754.5
BF50-../D..13.A.	393	107	258	677.5	217	217	788.5	784.5	889.5	785.5
BF50-../D..16.B.	454.5	121	310	753	243	243	896.5	860	1000	896.5
BF50-../D..18.B.	542	143	348	862.5	288	288	1012	968	1115.5	1012

Dimensions in millimetres (mm)

The actual gearbox design can vary from the geometry shown. Generate drive specific 3D and 2D geometries under www.BauerCat.com.

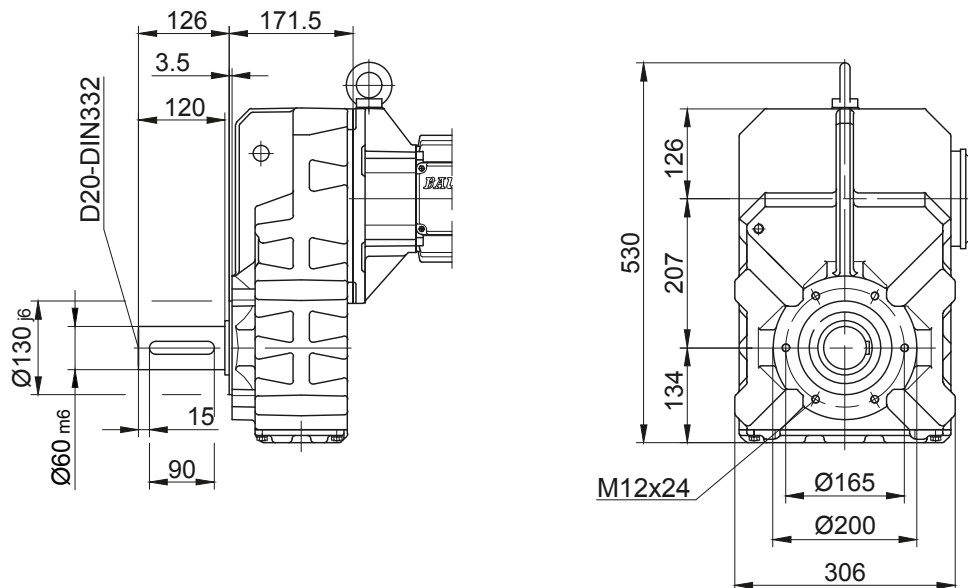
BF-series shaft-mounted geared motors

Dimension - Standard

BF50-BF50Z

Flange with tapped holes

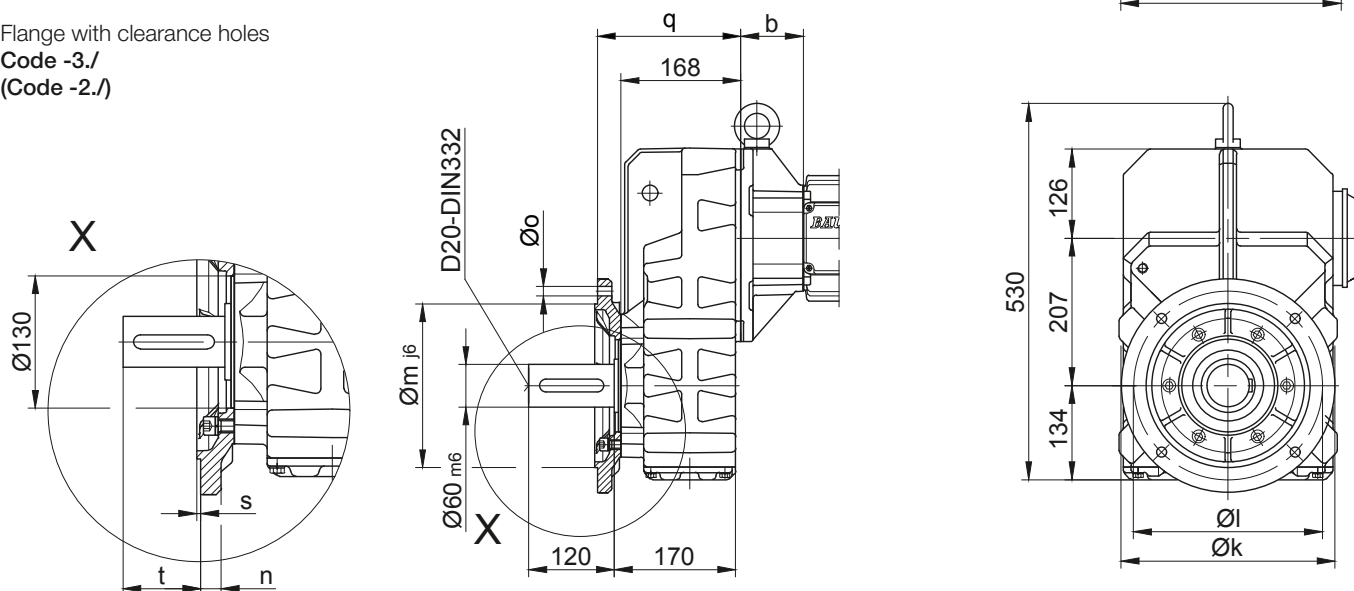
Code -7./



Flange with clearance holes

Code -3./

(Code -2./)



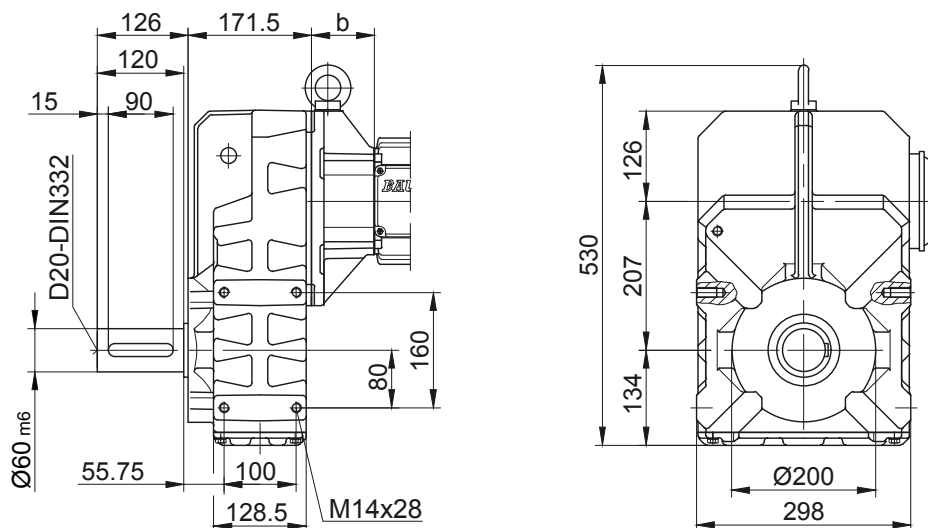
Flange Dimensions

Type	Design	k	l	m	n	o	q	s	t
BF50..	Code -3./	300	265	230	20	13.5	201	4	96.5
BF50..	Code -2./	250	215	180	16	13.5	198	4	99.5

Dimensions in millimetres (mm)

Foot with tapped holes left and right

Code -6.LR/

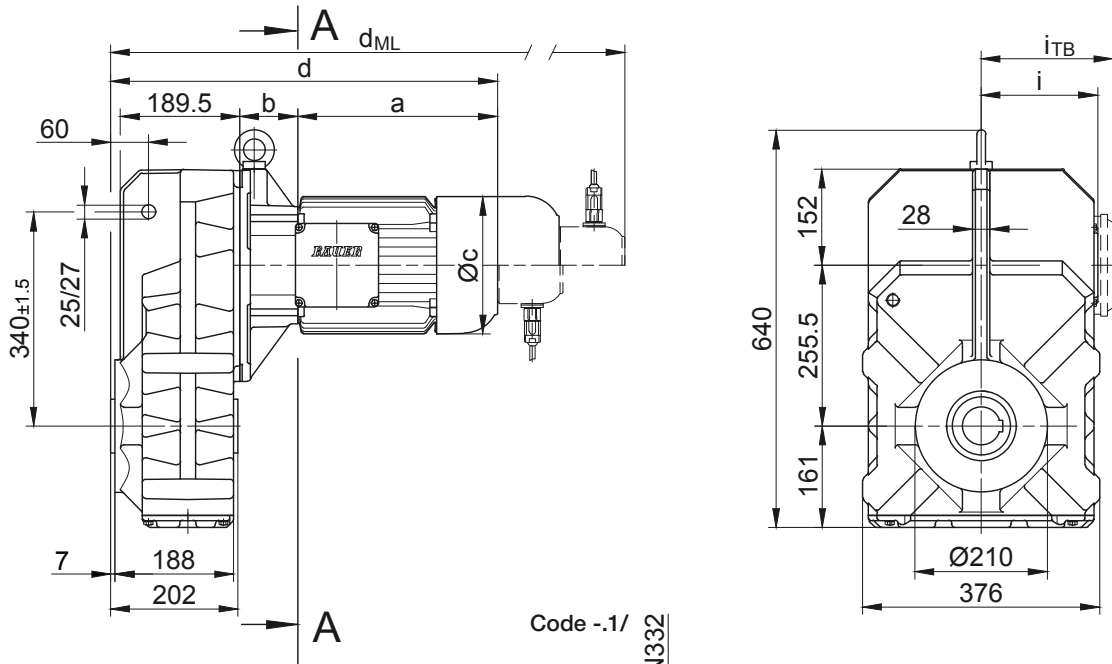


The actual gearbox design can vary from the geometry shown. Generate drive specific 3D and 2D geometries under www.BauerCat.com.

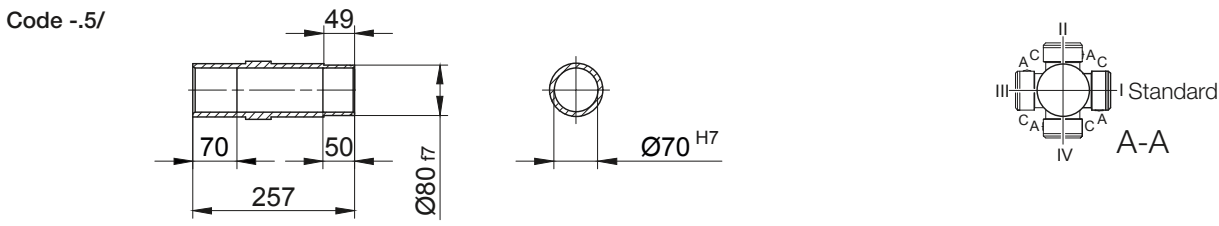
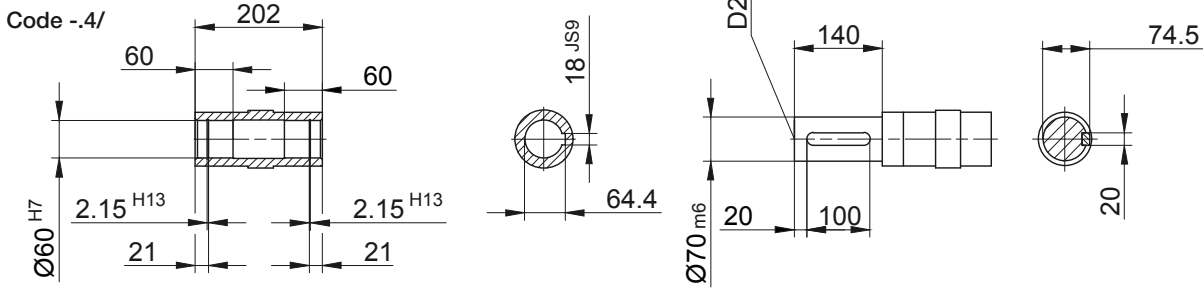
BF-series shaft-mounted geared motors

Dimension - Standard

BF60-BF60Z
with torque arm
Code -0./



Code -1./



Type	a	b	c	d	i	Design with motor extensions				
						i _{TB}	Brake	Encoder	Brake with Encoder	Back Stop
							d _{ML}	d _{ML}	d _{ML}	d _{ML}
BF60Z-../D..08.A.	199.5	181	156	585.5	114.5	136.5	651.5	697.5	759	651.5
BF60Z-../D..08.B.	229.5	181	156	615.5	114.5	136.5	681.5	727.5	788.5	681.5
BF60-../D..09.A.	250.5	85.5	176	541	124	157	634	648.5	738	634
BF60Z-../D..09.A.	250.5	195.5	176	651	124	157	744	758.5	848	744
BF60-../D..09.B.	308.5	85.5	176	599	124	157	692	706	796	692
BF60Z-../D..09.B.	308.5	195.5	176	709	124	157	802	816	906	802
BF60-../D..11.A.	319	92	218	616	165	176	714	723.5	816	714
BF60Z-../D..11.A.	319	202	218	726	165	176	824	833.5	926	824
BF60-../D..11.B.	387	92	218	684	165	176	780	791.5	884	780
BF60Z-../D..11.B.	387	202	218	794	165	176	890	901.5	994	890
BF60-../D..13.A.	393	105	258	703	217	217	814	810	915	811
BF60-../D..16.B.	454.5	119	310	778.5	243	243	922	885.5	1025.5	922
BF60-../D..18.B.	542	141	348	888	288	288	1037.5	993.5	1141	1037.5

Dimensions in millimetres (mm)

The actual gearbox design can vary from the geometry shown. Generate drive specific 3D and 2D geometries under www.BauerCat.com.

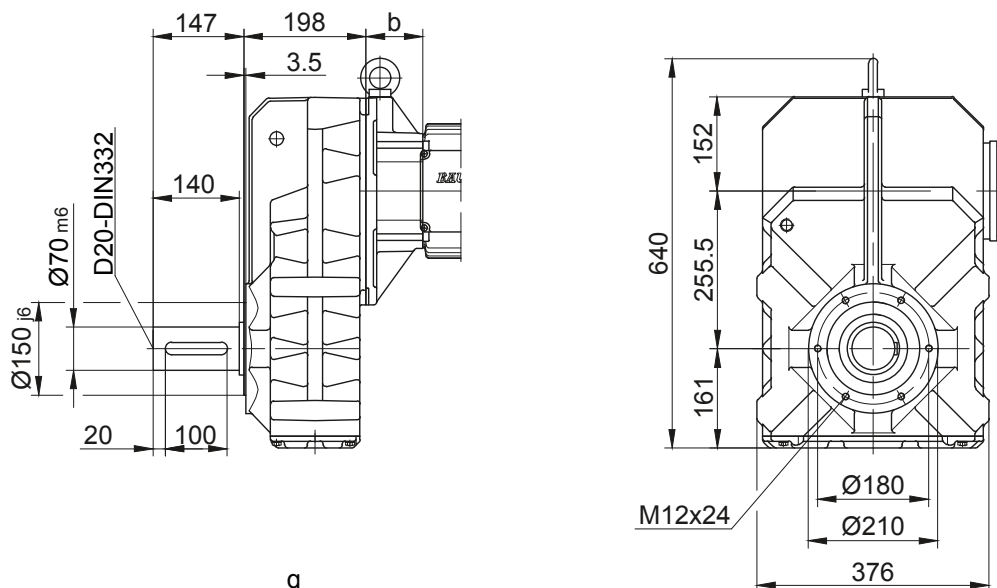
BF-series shaft-mounted geared motors

Dimension - Standard

BF60-BF60Z

Flange with tapped holes

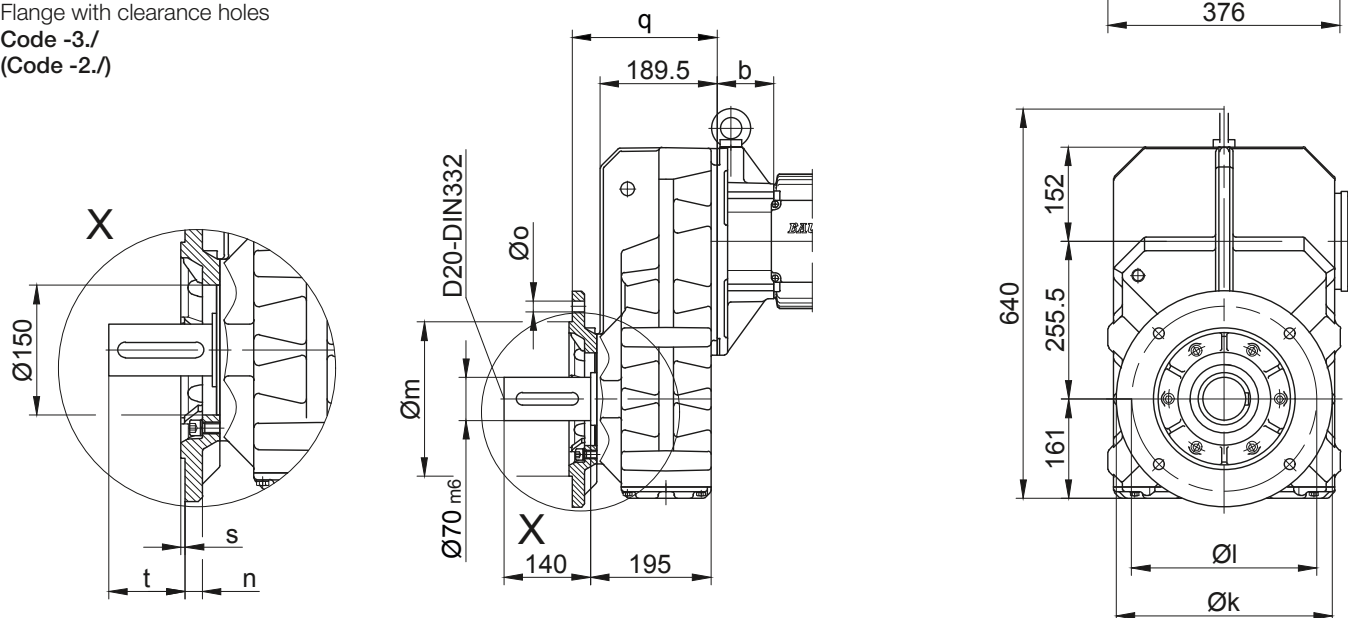
Code -7./



Flange with clearance holes

Code -3./

(Code -2./)



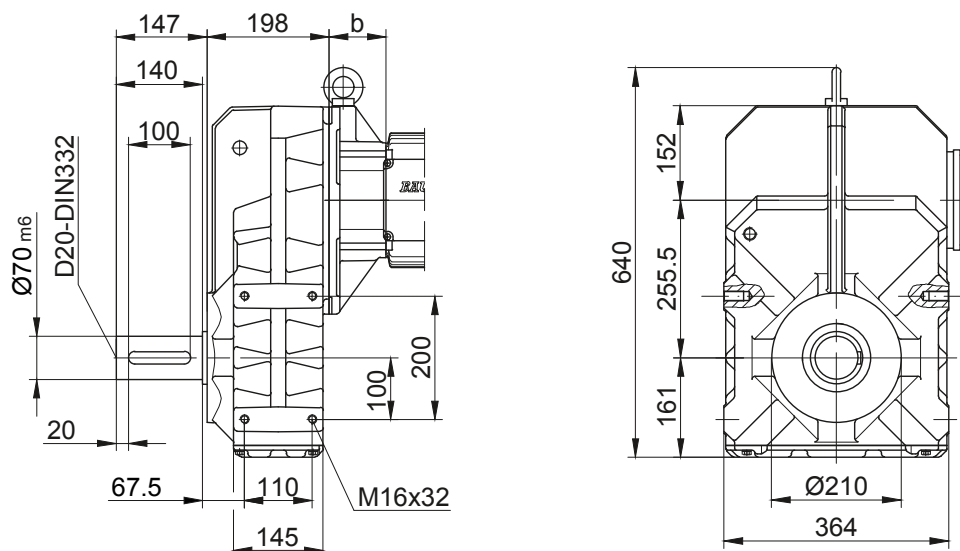
Flange Dimensions

Type	Design	k	l	m	n	o	q	s	t
BF60..	Code -3./	350	300	250	20	17.5	234.5	5	110.5
BF60..	Code -2./	300	265	230	20	13.5	242.5	4	102.5

Dimensions in millimetres (mm)

Foot with tapped holes left and right

Code -6.LR/

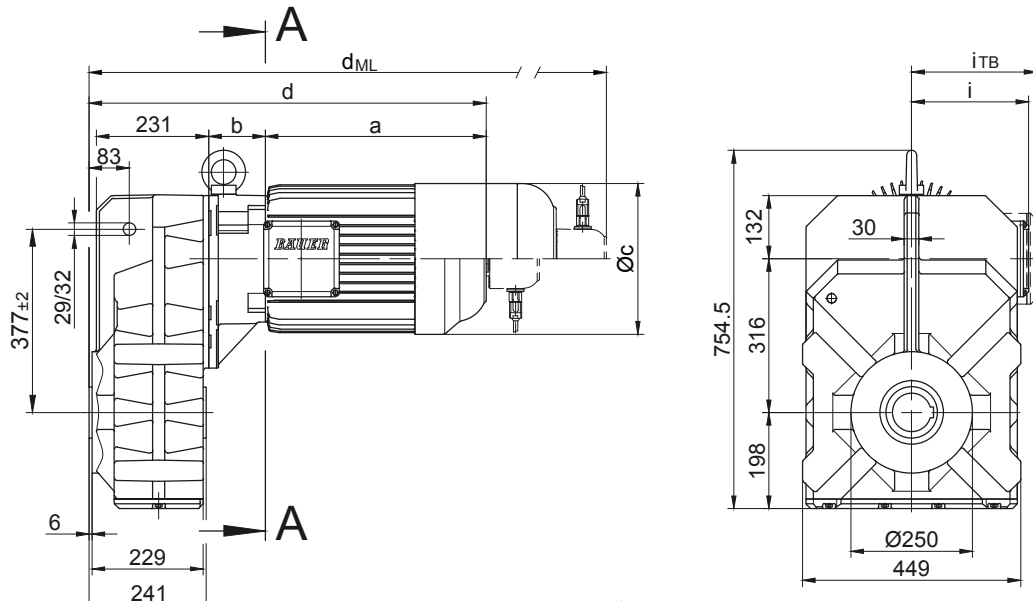


The actual gearbox design can vary from the geometry shown. Generate drive specific 3D and 2D geometries under www.BauerCat.com.

BF-series shaft-mounted geared motors

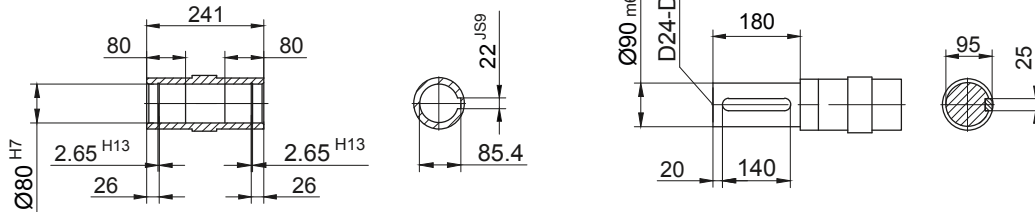
Dimension - Standard

BF70-BF70Z
with torque arm
Code -0./

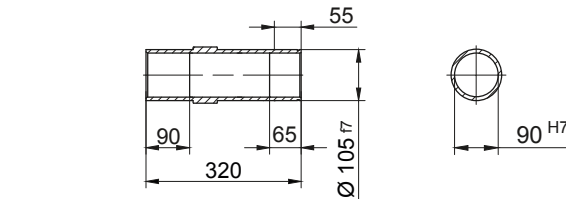


Code -1/

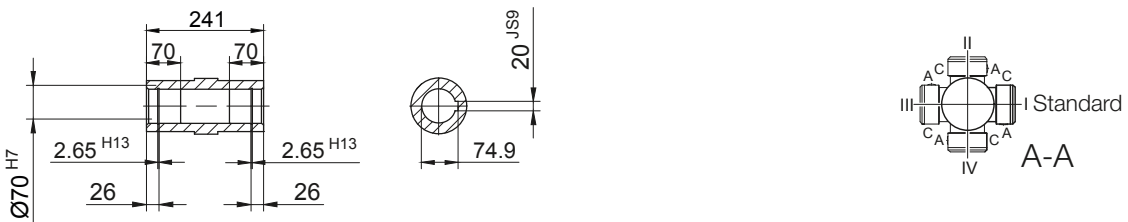
Code -4/



Code -5/



Code -4/K70



Type	a	b	c	d	i	Design with motor extensions				
						i _{TB}	Brake	Encoder	Brake with Encoder	Back Stop
							d _{ML}	d _{ML}	d _{ML}	d _{ML}
BF70Z-../D..08.A.	199.5	202	156	647.5	114.5	136.5	713.5	759.5	821	713.5
BF70Z-../D..08.B.	229.5	202	156	677.5	114.5	136.5	743.5	789.5	850.5	743.5
BF70-../D..09.A.	250.5	83.5	176	580	124	157	673	687.5	777	673
BF70Z-../D..09.A.	250.5	216.5	176	713	124	157	806	820.5	910	806
BF70-../D..09.B.	308.5	83.5	176	638	124	157	731	745	835	731
BF70Z-../D..09.B.	308.5	216.5	176	771	124	157	864	878	968	864
BF70-../D..11.A.	319	90	218	655	165	176	753	762.5	855	753
BF70Z-../D..11.A.	319	223	218	788	165	176	886	895.5	988	886
BF70-../D..11.B.	387	90	218	723	165	176	819	830.5	923	819
BF70Z-../D..11.B.	387	223	218	856	165	176	952	963.5	1056	952
BF70-../D..13.A.	393	103	258	742	217	217	853	849	954	850
BF70Z-../D..13.A.	393	236	258	875	217	217	986	982	1087	983
BF70-../D..16.B.	454.5	117	310	817.5	243	243	961	924.5	1064.5	961
BF70Z-../D..16.B.	454.5	250	310	950.5	243	243	1094	1057.5	1197.5	1094
BF70-../D..18.B.	542	139	348	927	288	288	1076.5	1032.5	1180	1076.5
BF70Z-../D..18.B.	542	272	348	1060	288	288	1209.5	1165.5	1313	1209.5
BF70-../D..20.A.	703.5	156	363	1105.5	302	302	1233	1211	1338.5	1105.5
BF70Z-../D..22.A.	703.5	156	363	1105.5	302	302	1233	1211	1338.5	1105.5

Dimensions in millimetres (mm)

The actual gearbox design can vary from the geometry shown. Generate drive specific 3D and 2D geometries under www.BauerCat.com.

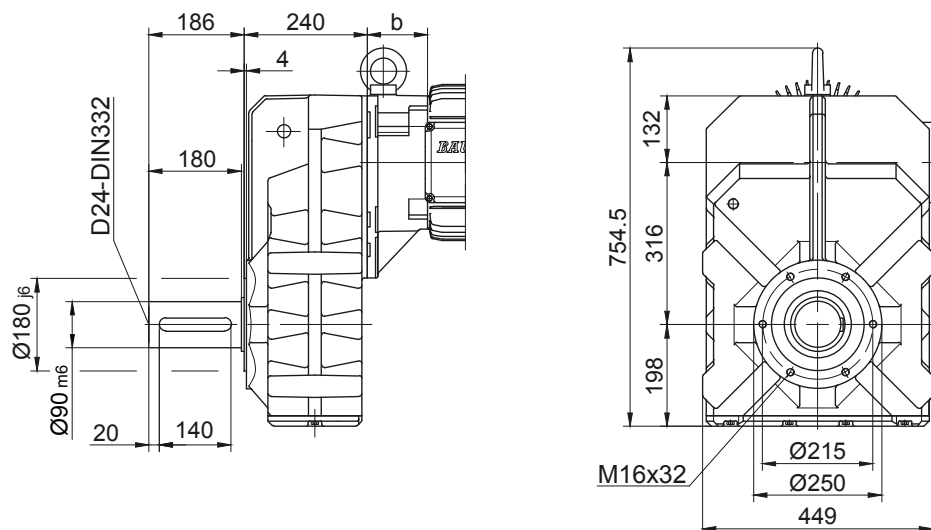
BF-series shaft-mounted geared motors

Dimension - Standard

BF70-BF70Z

Flange with tapped holes

Code -7./

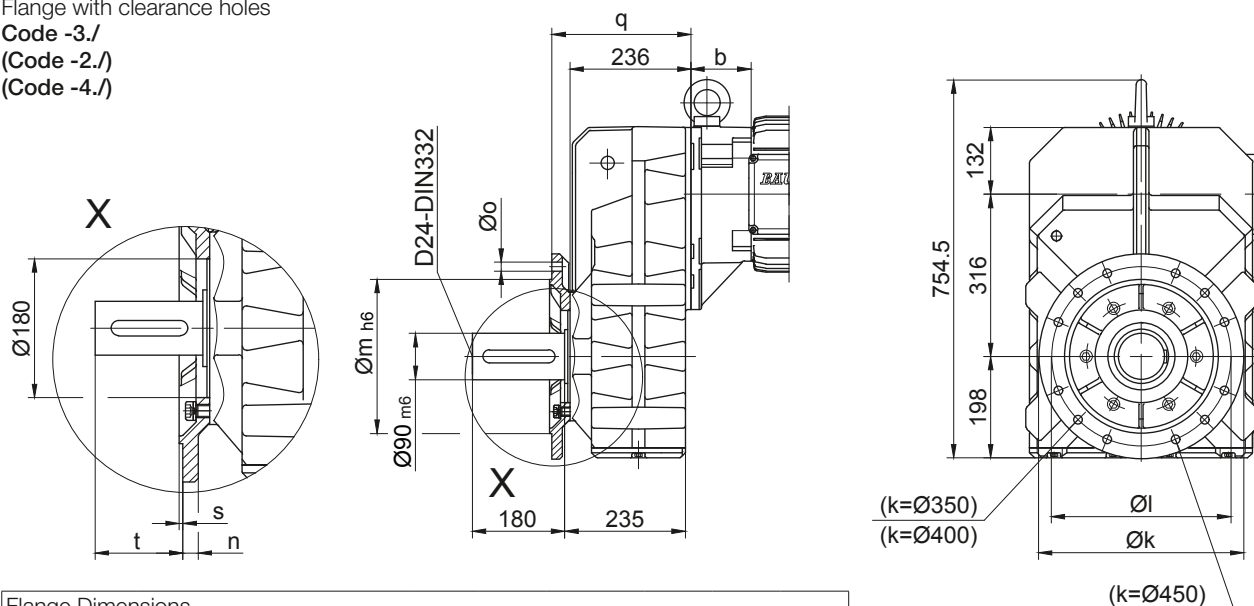


Flange with clearance holes

Code -3./

(Code -2./)

(Code -4./)



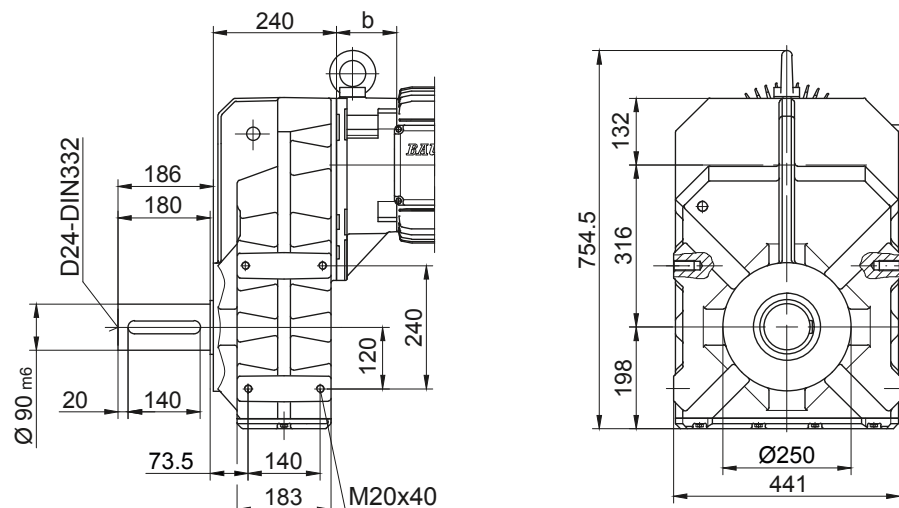
Flange Dimensions

Type	Design	k	l	m	n	o	q	s	t
BF70..	Code -3./	400	350	300	20	4 x 17.5	271	5	155
BF70..	Code -2./	350	300	250	20	4 x 17.5	271	5	155
BF70..	Code -4./	450	400	350	22	8 x 17.5	281	5	145

Dimensions in millimetres (mm)

Foot with tapped holes left and right

Code -6.LR/

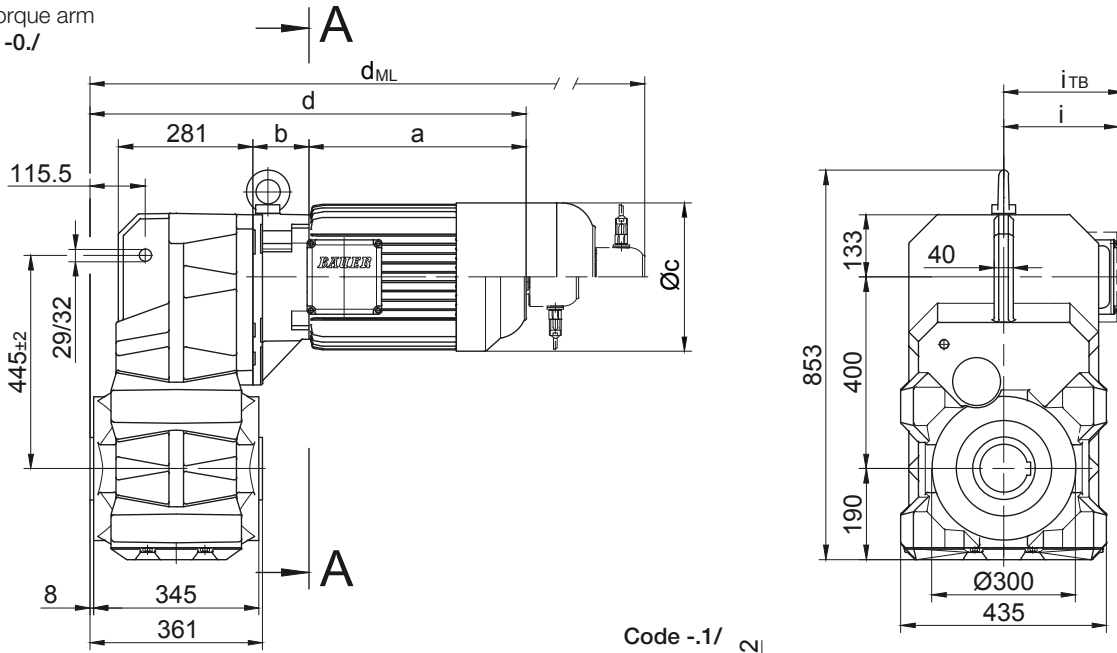


The actual gearbox design can vary from the geometry shown. Generate drive specific 3D and 2D geometries under www.BauerCat.com.

BF-series shaft-mounted geared motors

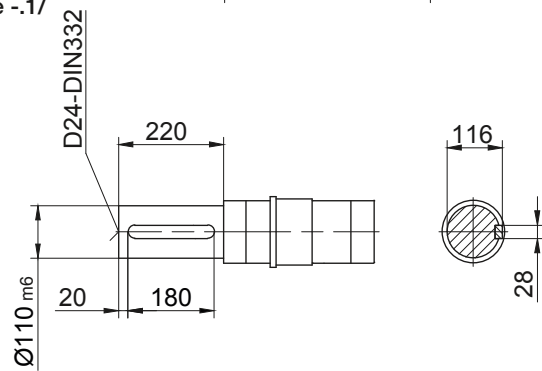
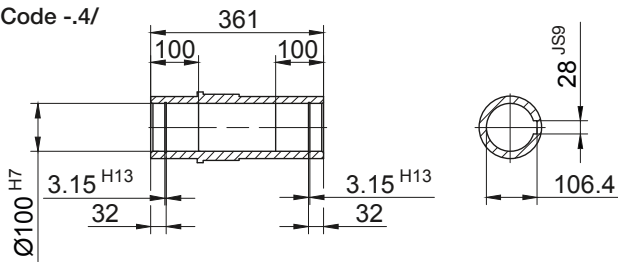
Dimension - Standard

BF80-BF80Z
with torque arm
Code -0./

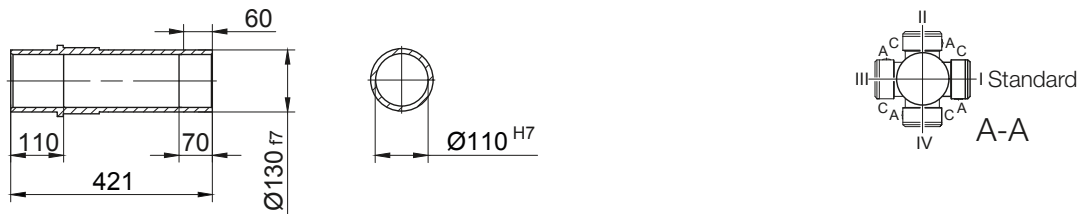


Code -1/

Code -4/



Code -5/



Type	a	b	c	d	i	Design with motor extensions				
						i _{TB}	Brake	Encoder	Brake with Encoder	Back Stop
							d _{ML}	d _{ML}	d _{ML}	d _{ML}
BF80Z-../D..08.A.	199.5	202	156	742	114.5	136.5	808	854	915.5	808
BF80-../D..09.A.	250.5	83.5	176	674.5	124	157	767.5	782	871.5	767.5
BF80Z-../D..09.A.	250.5	216.5	176	807.5	124	157	900.5	915	1004.5	900.5
BF80-../D..09.B.	308.5	83.5	176	732.5	124	157	825.5	839.5	929.5	825.5
BF80Z-../D..09.B.	308.5	216.5	176	865.5	124	157	958.5	972.5	1062.5	958.5
BF80-../D..11.A.	319	90	218	749.5	165	176	847.5	857	949.5	847.5
BF80Z-../D..11.A.	319	223	218	882.5	165	176	980.5	990	1082.5	980.5
BF80-../D..11.B.	387	90	218	817.5	165	176	913.5	925	1017.5	913.5
BF80Z-../D..11.B.	387	223	218	950.5	165	176	1046.5	1058	1150.5	1046.5
BF80-../D..13.A.	393	103	258	836.5	217	217	947.5	943.5	1048.5	944.5
BF80Z-../D..13.A.	393	236	258	969.5	217	217	1080.5	1076.5	1181.5	1077.5
BF80-../D..16.B.	454.5	117	310	912	243	243	1055.5	1019	1159	1055.5
BF80Z-../D..16.B.	454.5	250	310	1045	243	243	1188.5	1152	1292	1188.5
BF80-../D..18.B.	542	139	348	1021.5	288	288	1171	1127	1274.5	1171
BF80Z-../D..18.B.	542	272	348	1154.5	288	288	1304	1260	1407.5	1304
BF80-../D..20.A.	703.5	156	363	1200	302	302	1327.5	1305.5	1433	1200
BF80-../D..22.A.	703.5	156	363	1200	302	302	1327.5	1305.5	1433	1200

Dimensions in millimetres (mm)

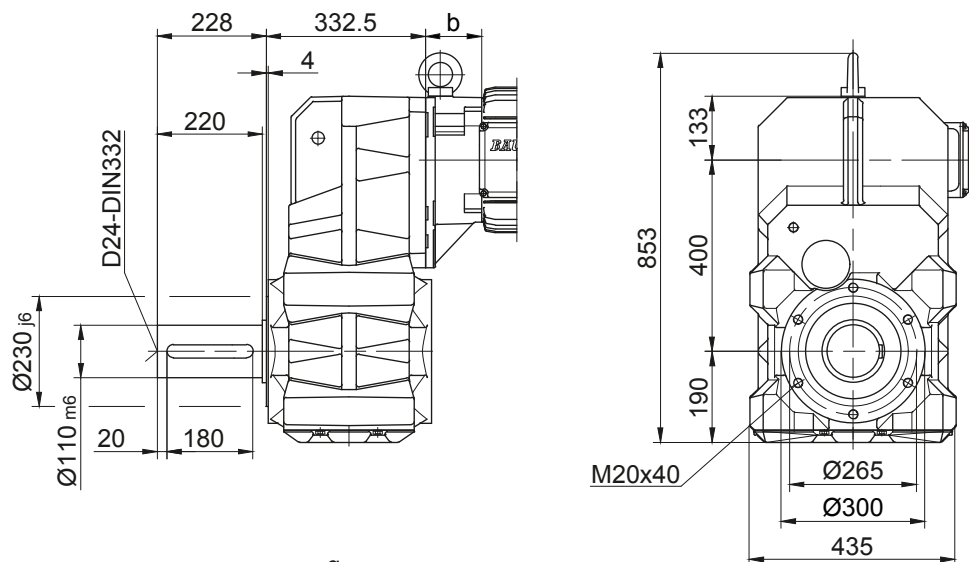
The actual gearbox design can vary from the geometry shown. Generate drive specific 3D and 2D geometries under www.BauerCat.com.

BF-series shaft-mounted geared motors

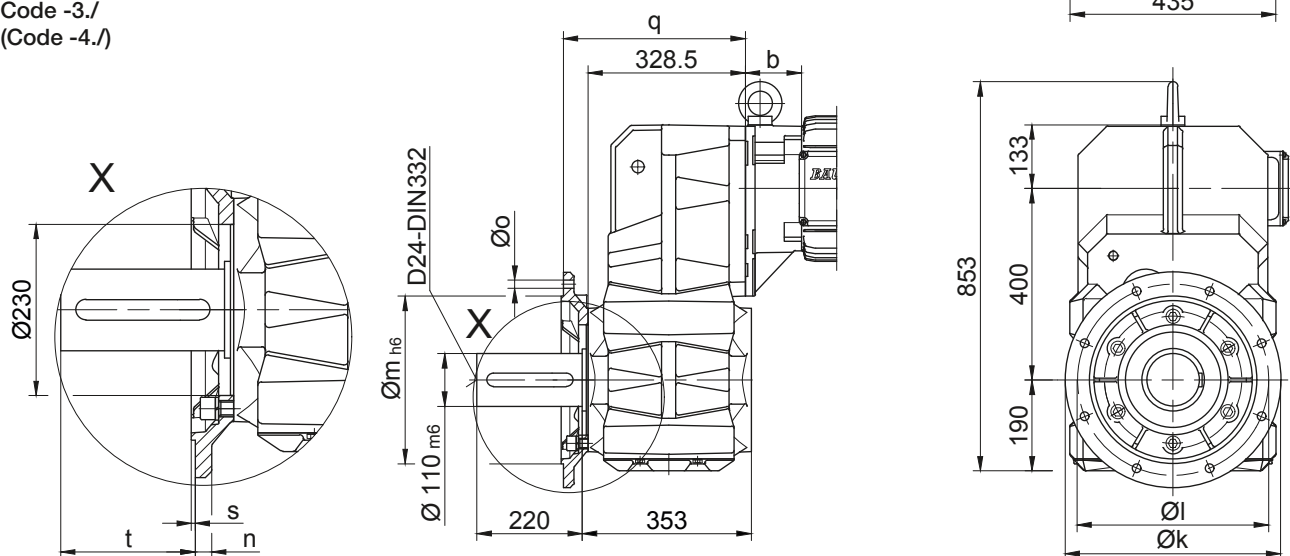
Dimension - Standard

BF80-BF80Z

Flange with tapped holes
Code -7./



Flange with clearance holes
Code -3./
(Code -4./)

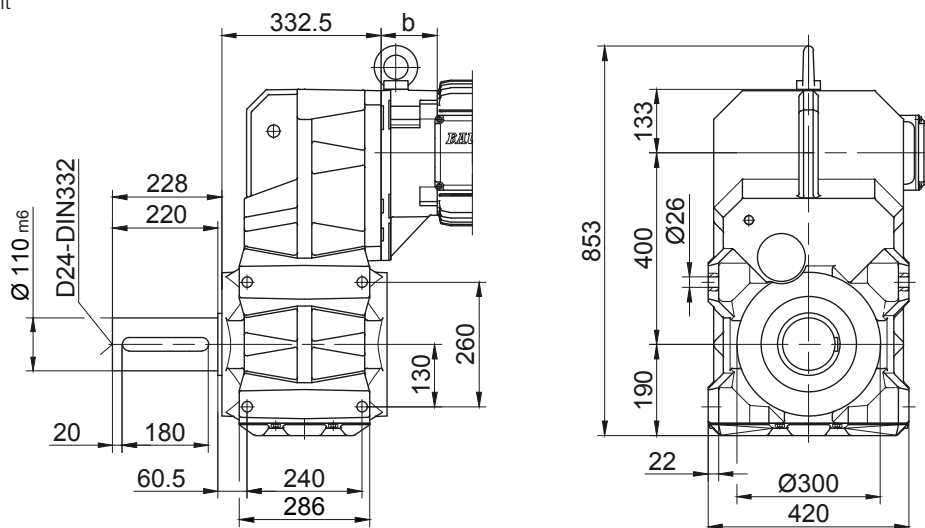


Flange Dimensions

Type	Design	k	l	m	n	o	q	s	t
BF80..	Code -3./	450	400	350	22	17.5	383.5	5	177
BF80..	Code -4./	550	500	450	22	17.5	388.5	5	172

Dimensions in millimetres (mm)

Foot with clearance holes left and right
Code -1.LR/



The actual gearbox design can vary from the geometry shown. Generate drive specific 3D and 2D geometries under www.BauerCat.com.

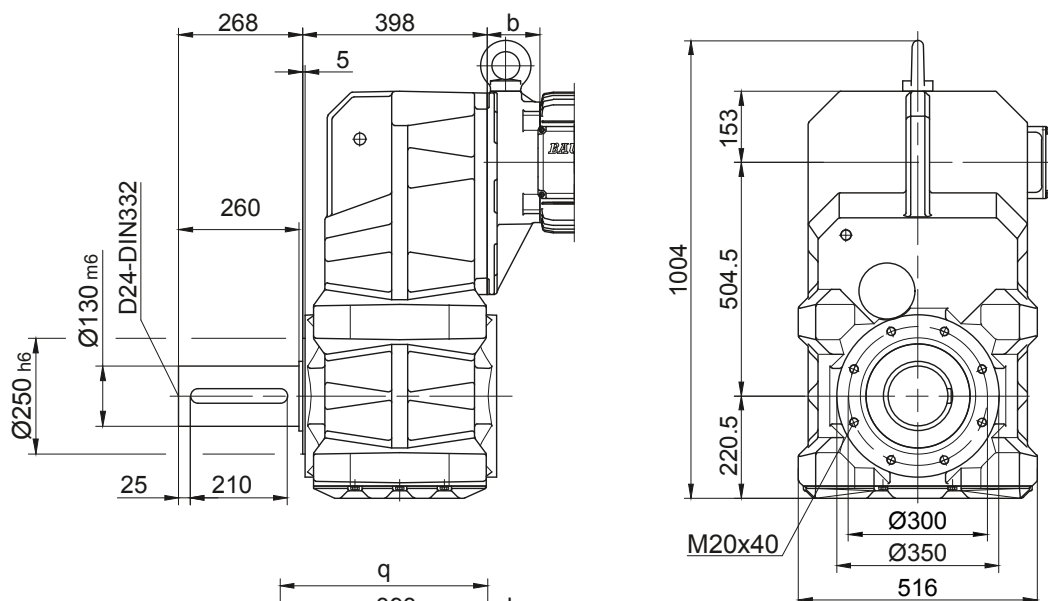
BF-series shaft-mounted geared motors

Dimension - Standard

BF90-BF90Z

Flange with tapped holes

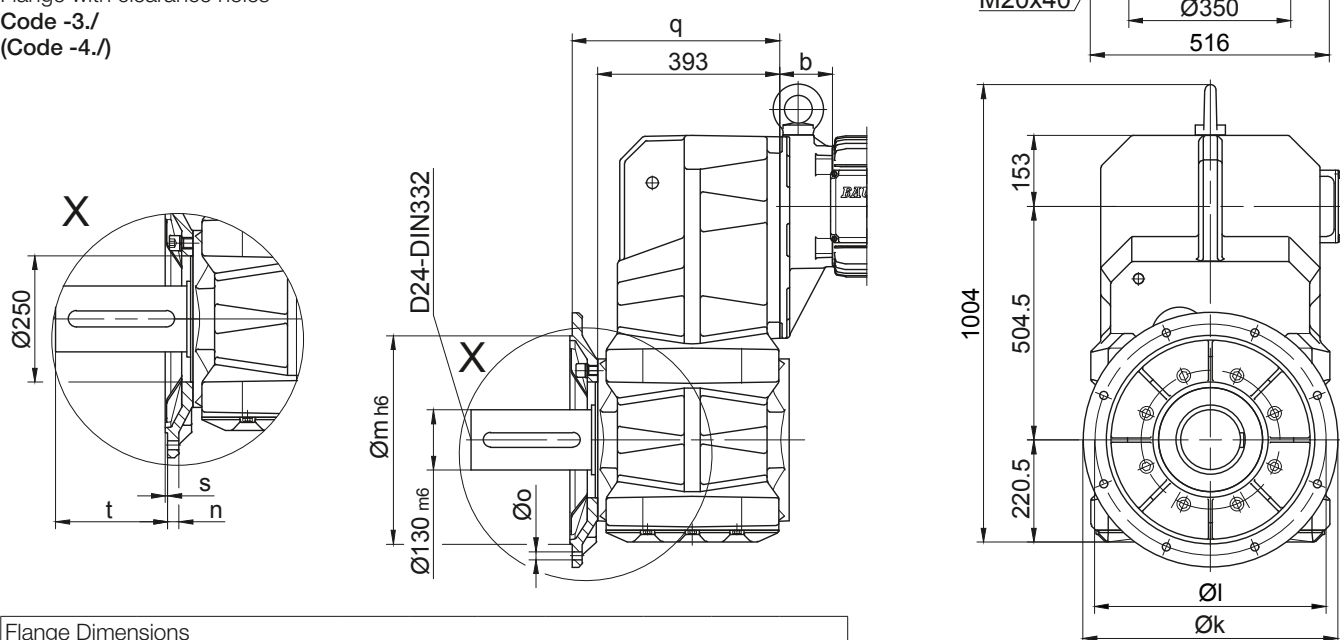
Code -7./



Flange with clearance holes

Code -3./

(Code -4./)



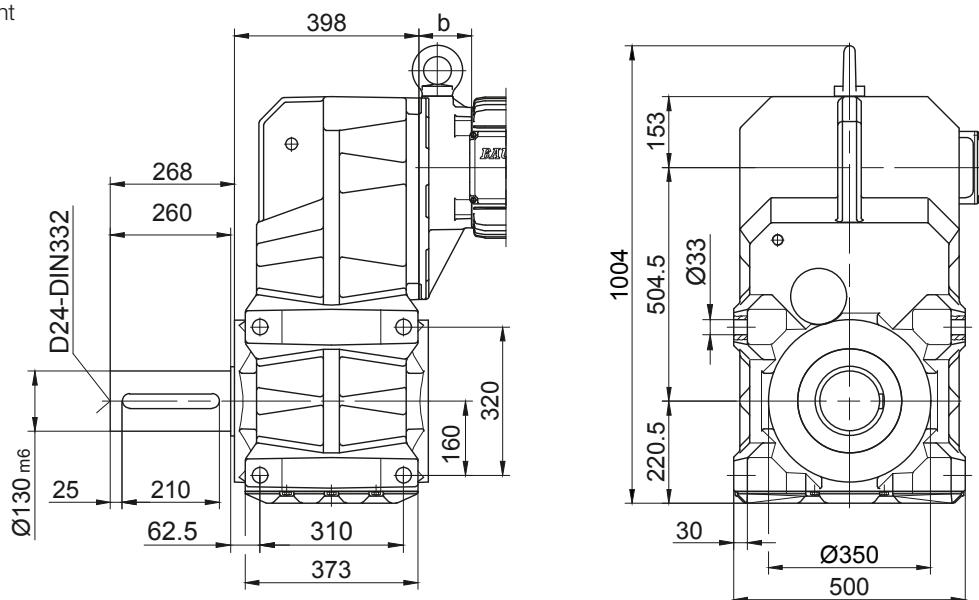
Flange Dimensions

Type	Design	k	l	m	n	o	q	s	t
BF90..	Code -3./	550	500	450	22	17.5	448	5	218
BF90..	Code -4./	660	600	550	25	22	442	6	224

Dimensions in millimetres (mm)

Foot with clearance holes left and right

Code -1.LR/



The actual gearbox design can vary from the geometry shown. Generate drive specific 3D and 2D geometries under www.BauerCat.com.

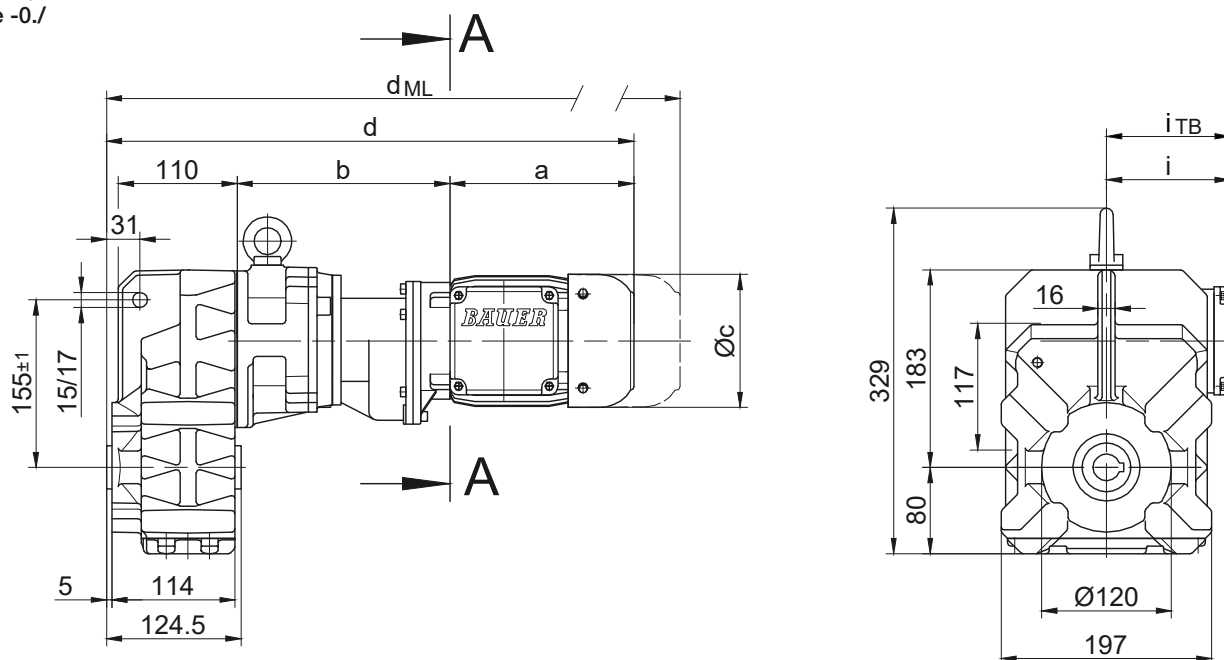
BF-series shaft-mounted geared motors

Dimension - Tandem Gearbox

BF10G06

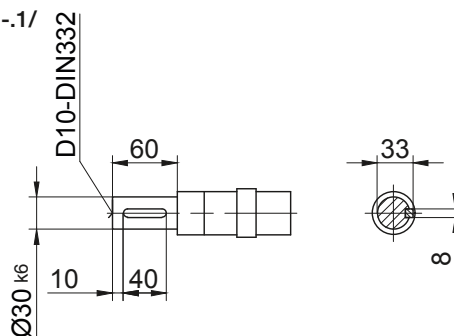
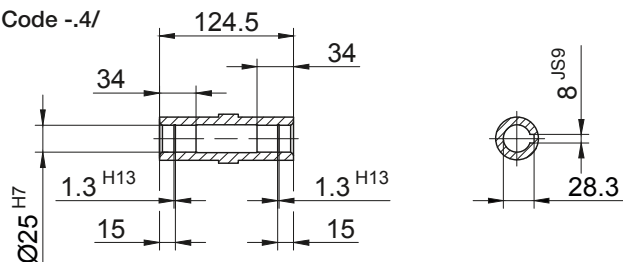
with torque arm

Code -0./

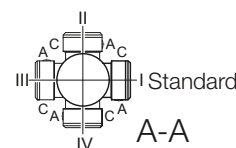
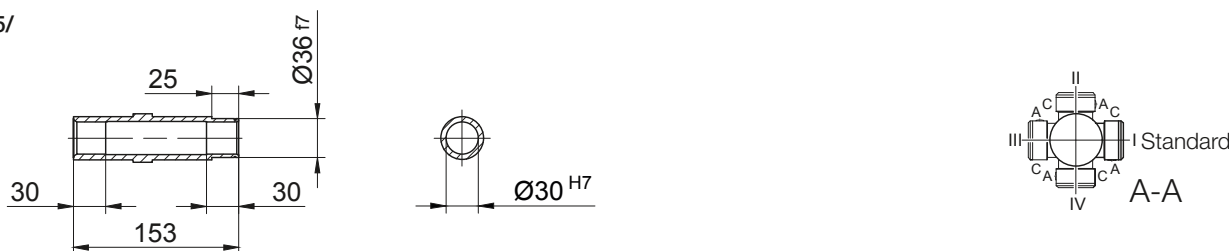


Code -.1/

Code -.4/



Code -.5/



Type	a	b	c	d	i	Design with motor extensions				
						i _{TB}	Brake	Encoder	Brake with Encoder	Back Stop
							d _{ML}	d _{ML}	d _{ML}	d _{ML}
BF10G06-../D04.A.	142.5	195	110.5	458.5	90	112	502	546	589.5	-
BF10G06-../D..05.A.	170.5	197	123	488.5	101	117	530.5	591	628.5	-
BF10G06-../D..06.A.	170.5	197	123	488.5	99	119	530.5	591	628.5	-
BF10G06-../D..07.A.	190.5	197	123	508.5	99	119	550.5	611	648.5	-
BF10G06-../D..08.A.	199.5	241	156	561.5	114.5	136.5	627.5	673.5	735	627.5
BF10G06-../D..08.B.	229.5	241	156	591.5	114.5	136.5	657.5	703.5	764.5	657.5

Dimensions in millimetres (mm)

The actual gearbox design can vary from the geometry shown. Generate drive specific 3D and 2D geometries under www.BauerCat.com.

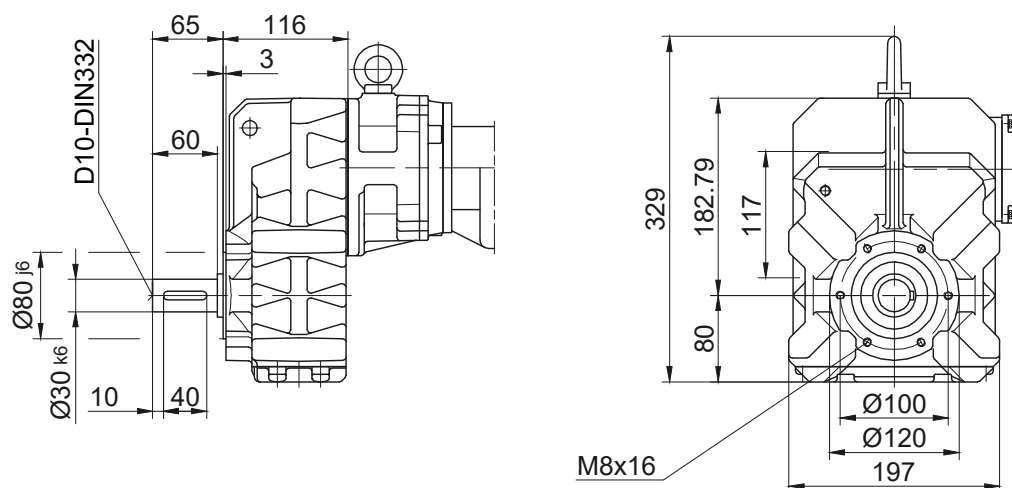
BF-series shaft-mounted geared motors

Dimension - Tandem Gearbox

BF10G06

Flange with tapped holes

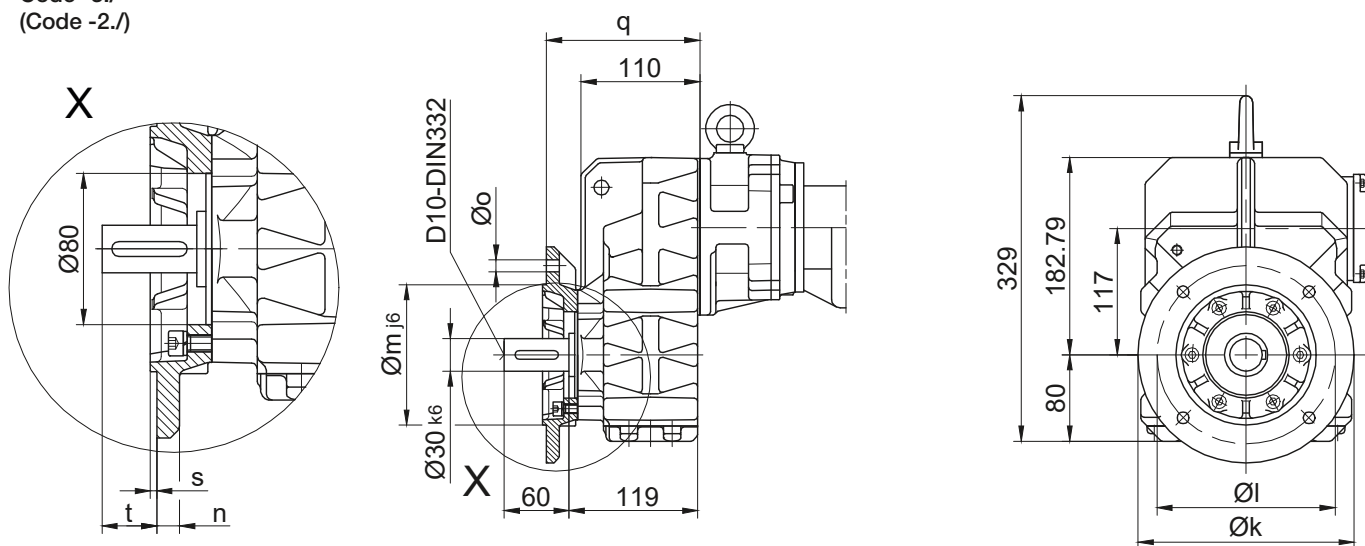
Code -7./



Flange with clearance holes

Code -3./

(Code -2./)



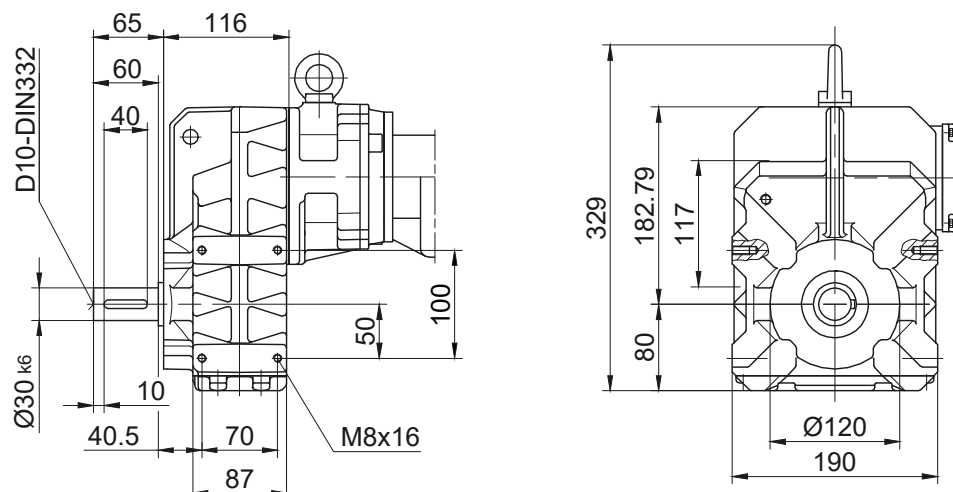
Flange Dimensions

Type	Design	k	l	m	n	o	q	s	t
BF10..	Code -3./	200	165	130	12	11	142	3.5	39
BF10..	Code -2./	160	130	110	10	9	135	3.5	46

Dimensions in millimetres (mm)

Foot with tapped holes left and right

Code -6.LR/



The actual gearbox design can vary from the geometry shown. Generate drive specific 3D and 2D geometries under www.BauerCat.com.

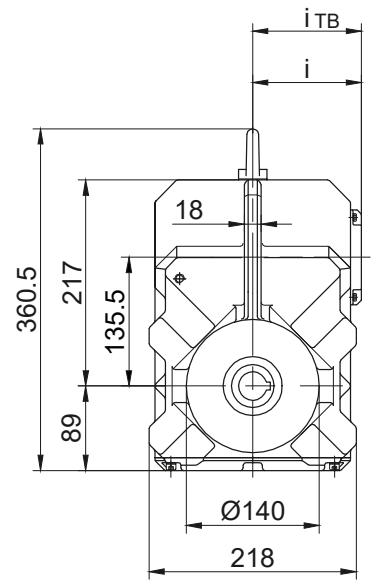
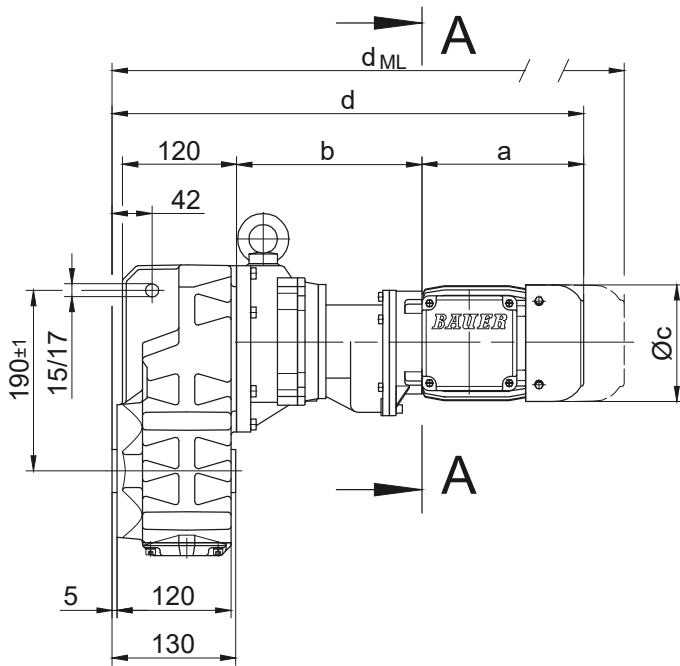
BF-series shaft-mounted geared motors

Dimension - Tandem Gearbox

BF20G06

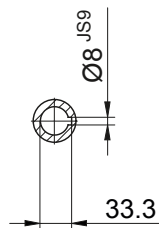
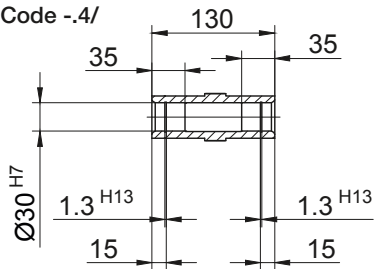
with torque arm

Code -0./

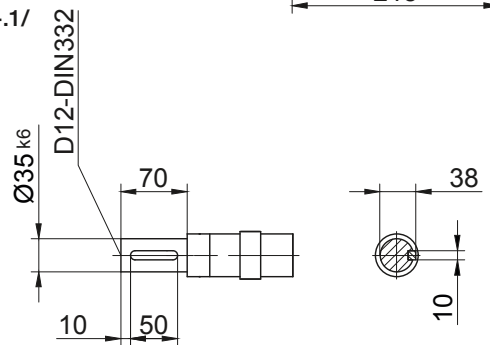


Code -1/

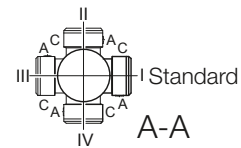
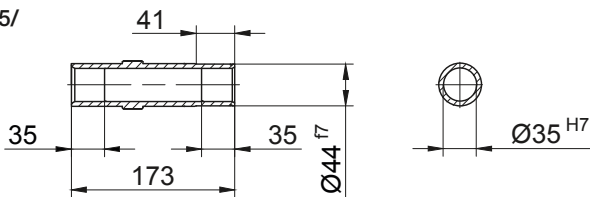
Code -4/



Code -1/



Code -5/



Type	a	b	c	d	i	Design with motor extensions				
						i _{TB}	Brake	Encoder	Brake with Encoder	Back Stop
							d _{ML}	d _{ML}	d _{ML}	d _{ML}
BF20G06-../D04.A.	142.5	193	110.5	466.5	90	112	510	554	597.5	-
BF20G06-../D..05.A.	170.5	195	123	496.5	101	117	538.5	599	636.5	-
BF20G06-../D..06.A.	170.5	195	123	496.5	99	119	538.5	599	636.5	-
BF20G06-../D..07.A.	190.5	195	123	516.5	99	119	558.5	619	656.5	-
BF20G06-../D..08.A.	199.5	239	156	569.5	114.5	136.5	635.5	681.5	743	635.5
BF20G06-../D..08.B.	229.5	239	156	599.5	114.5	136.5	665.5	711.5	772.5	665.5

Dimensions in millimetres (mm)

The actual gearbox design can vary from the geometry shown. Generate drive specific 3D and 2D geometries under www.BauerCat.com.

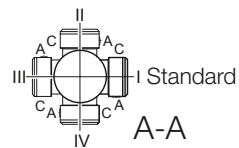
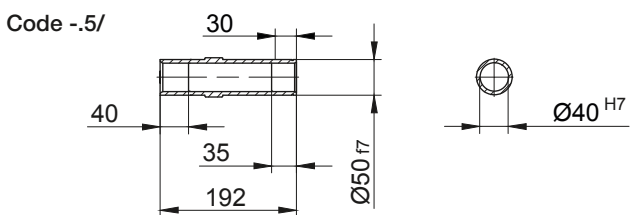
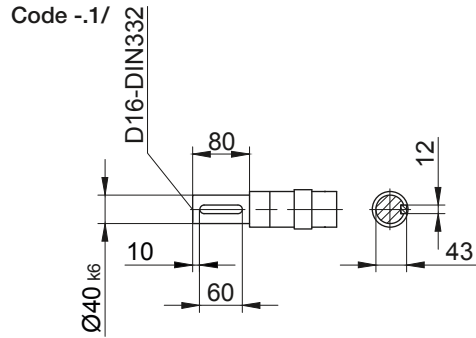
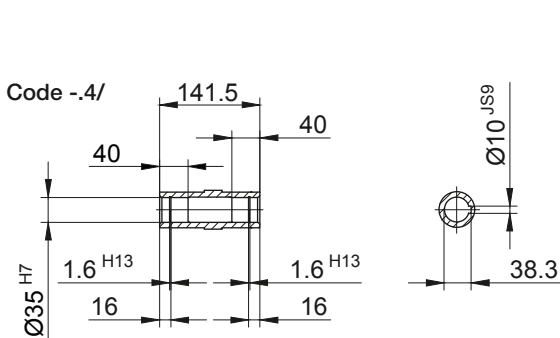
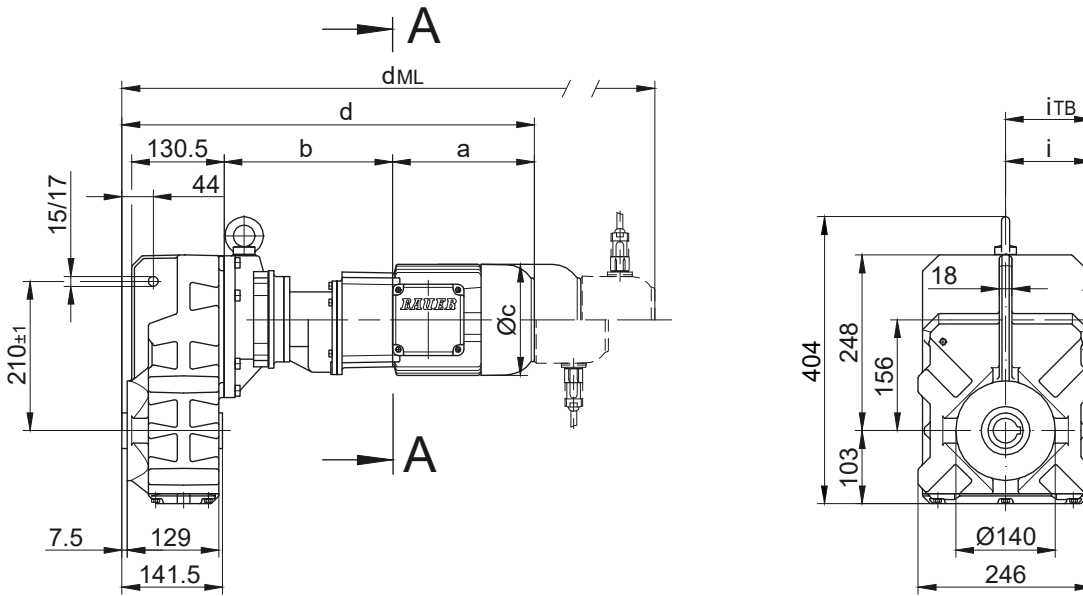
BF-series shaft-mounted geared motors

Dimension - Tandem Gearbox

BF30G06

with torque arm

Code -0./



Type	a	b	c	d	i	Design with motor extensions				
						i _{TB}	Brake	Encoder	Brake with Encoder	Back Stop
							d _{ML}	d _{ML}	d _{ML}	d _{ML}
BF30G06-../D04.A.	142.5	191	110.5	477.5	90	112	521	565	608.5	-
BF30G06-../D..05.A.	170.5	193	123	507.5	101	117	549.5	610	647.5	-
BF30G06-../D..06.A.	170.5	193	123	507.5	99	119	549.5	610	647.5	-
BF30G06-../D..07.A.	190.5	193	123	527.5	99	119	569.5	630	667.5	-
BF30G06-../D..08.A.	199.5	237	156	580.5	114.5	136.5	646.5	692.5	754	646.5
BF30G06-../D..08.B.	229.5	237	156	610.5	114.5	136.5	676.5	722.5	783.5	676.5

Dimensions in millimetres (mm)

The actual gearbox design can vary from the geometry shown. Generate drive specific 3D and 2D geometries under www.BauerCat.com.

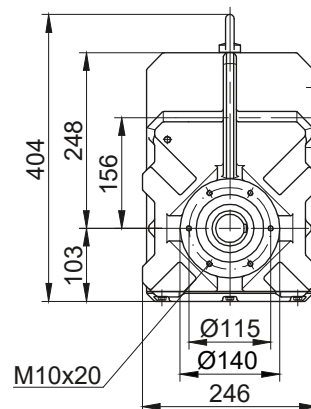
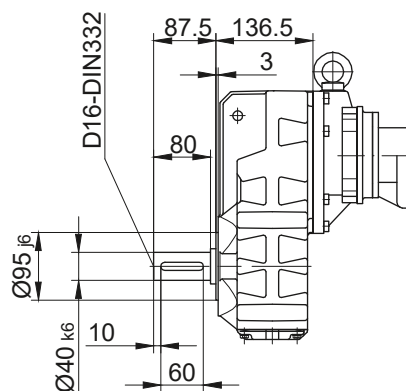
BF-series shaft-mounted geared motors

Dimension - Tandem Gearbox

BF30G06

Flange with tapped holes

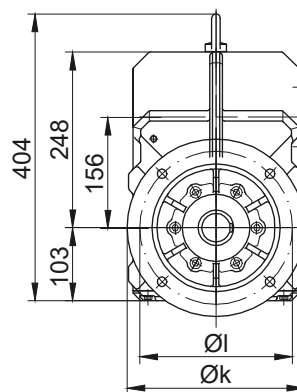
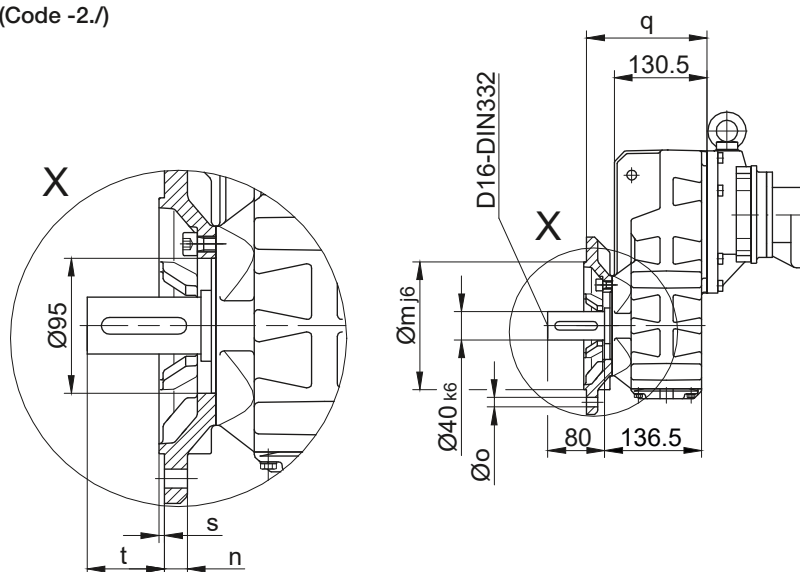
Code -7./



Flange with clearance holes

Code -3./

(Code -2./)



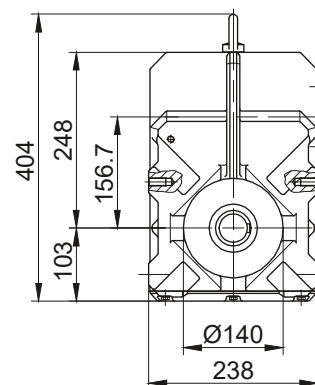
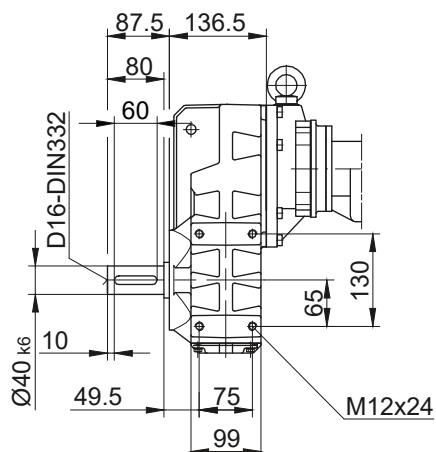
Flange Dimensions

Type	Design	k	l	m	n	o	q	s	t
BF30..	Code -3./	250	215	180	16	13.5	169.5	4	54.5
BF30..	Code -2./	200	165	130	12	11	160.5	3.5	63.5

Dimensions in millimetres (mm)

Foot with tapped holes left and right

Code -6.LR/



The actual gearbox design can vary from the geometry shown. Generate drive specific 3D and 2D geometries under www.BauerCat.com.

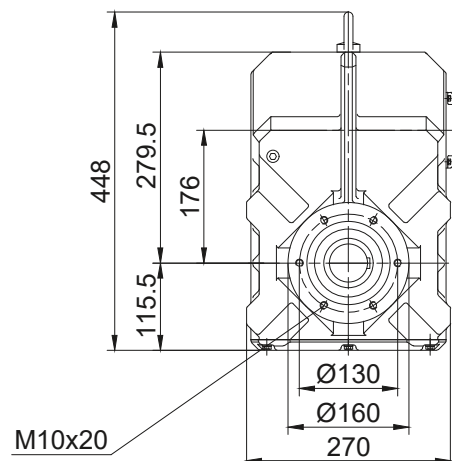
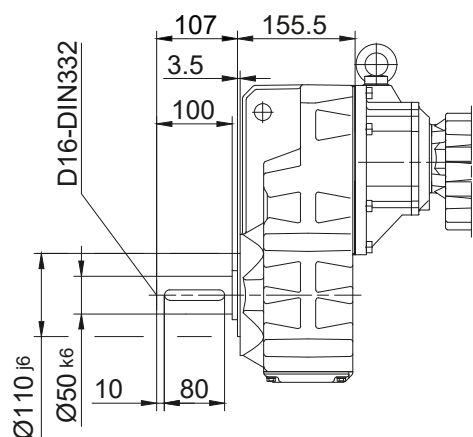
BF-series shaft-mounted geared motors

Dimension - Tandem Gearbox

BF40G10

Flange with tapped holes

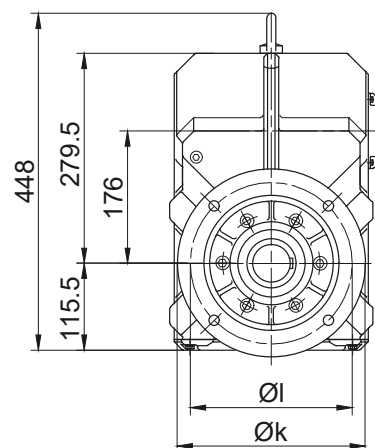
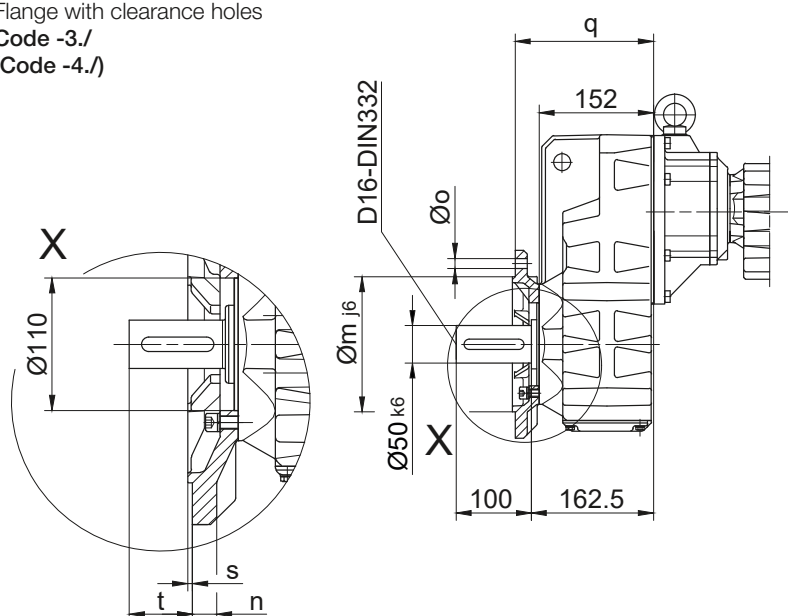
Code -7./



Flange with clearance holes

Code -3./

(Code -4./)



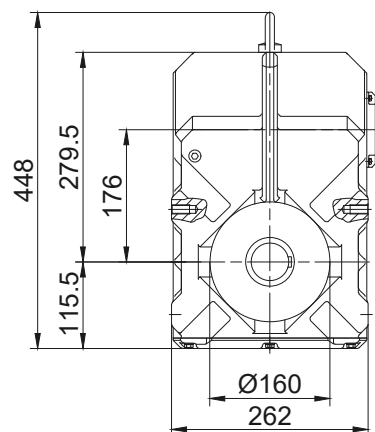
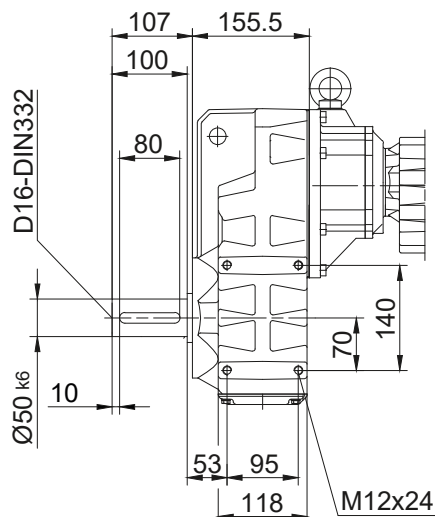
Flange Dimensions

Type	Design	k	l	m	n	o	q	s	t
BF40..	Code -3./	250	215	180	16	13.5	184	4	78.5
BF40..	Code -4./	300	265	230	20	13.5	190	4	72.5

Dimensions in millimetres (mm)

Foot with tapped holes left and right

Code -6.LR/

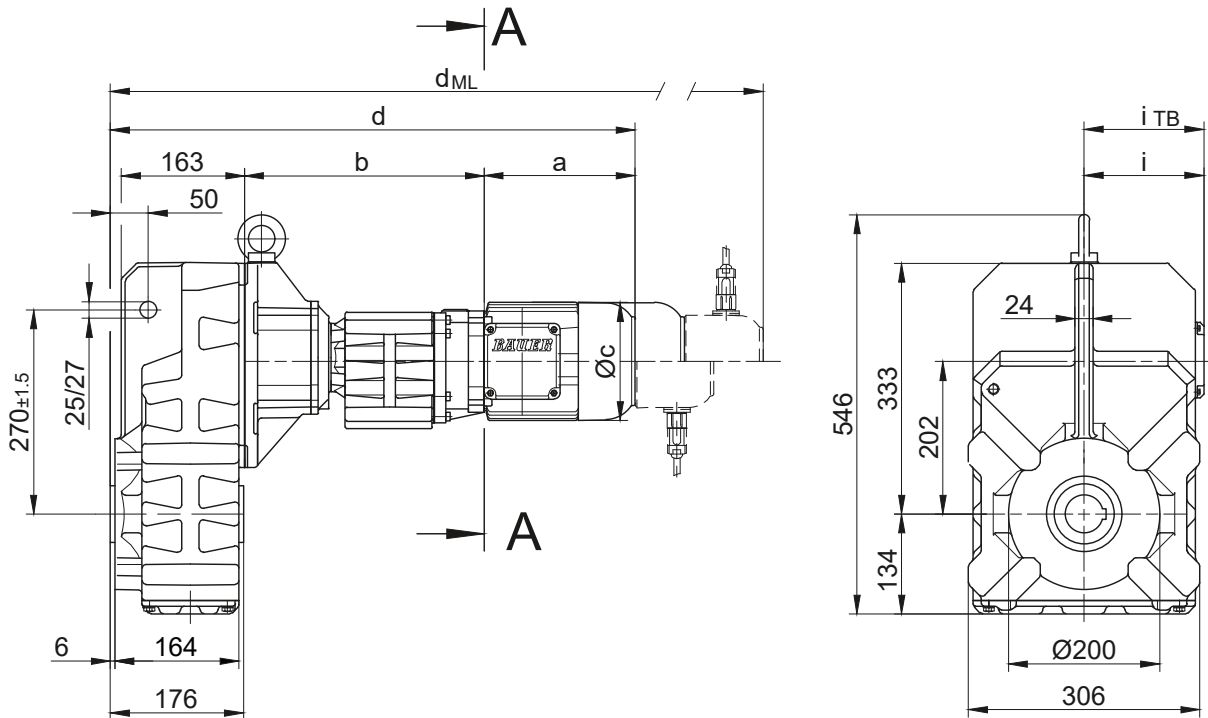


The actual gearbox design can vary from the geometry shown. Generate drive specific 3D and 2D geometries under www.BauerCat.com.

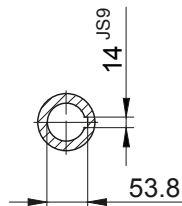
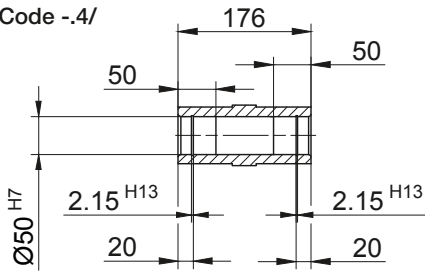
BF-series shaft-mounted geared motors

Dimension - Tandem Gearbox

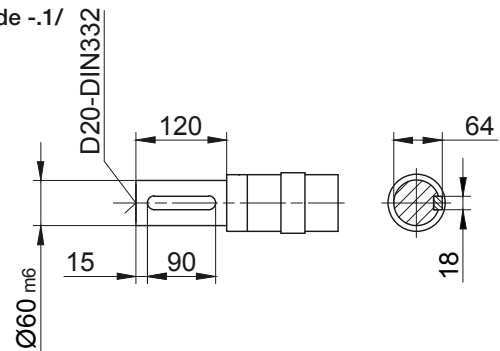
BF50G10
with torque arm
Code -0./



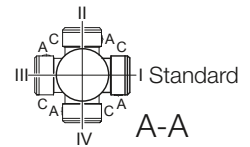
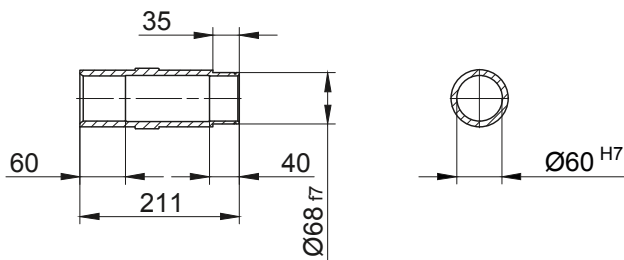
Code -.4/



Code -.1/



Code -.5/



Type	a	b	c	d	i	Design with motor extensions				
						i _{TB}	Brake	Encoder	Brake with Encoder	Back Stop
							d _{ML}	d _{ML}	d _{ML}	d _{ML}
BF50G10-../D..05.A.	170.5	313	123	661	101	117	703	763.5	801	-
BF50G10-../D..06.A.	170.5	313	123	661	99	119	703	763.5	801	-
BF50G10-../D..07.A.	190.5	313	123	681	99	119	723	783.5	821	-
BF50G10-../D..08.A.	199.5	317	156	694	114.5	136.5	760	806	867.5	760
BF50G10-../D..08.B.	229.5	317	156	724	114.5	136.5	790	836	897	790
BF50G10-../D..09.A.	250.5	331.5	176	759.5	124	157	852.5	867	956.5	852.5
BF50G10-../D..09.B.	308.5	331.5	176	817.5	124	157	910.5	924.5	1014.5	910.5

Dimensions in millimetres (mm)

The actual gearbox design can vary from the geometry shown. Generate drive specific 3D and 2D geometries under www.BauerCat.com.

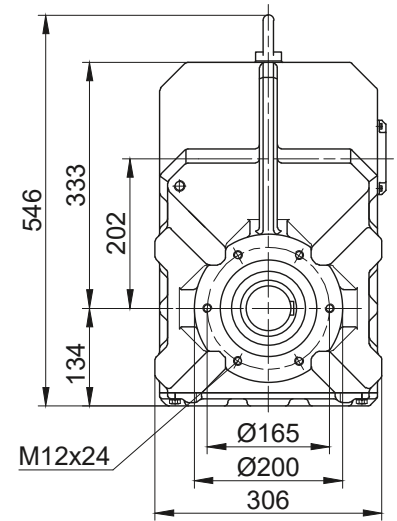
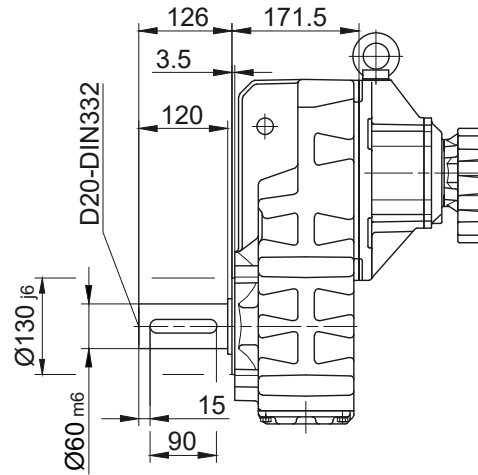
BF-series shaft-mounted geared motors

Dimension - Tandem Gearbox

BF50G10

Flange with tapped holes

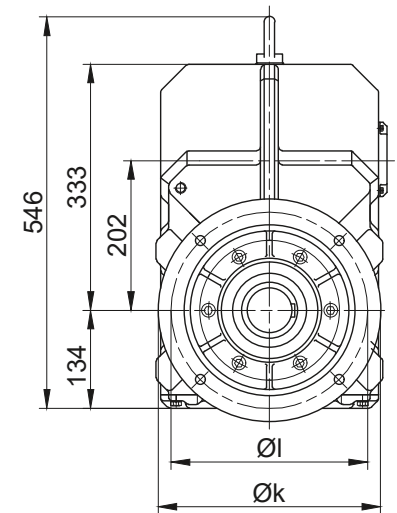
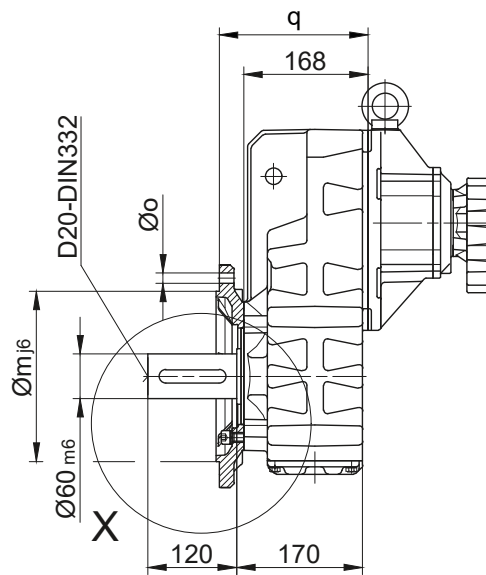
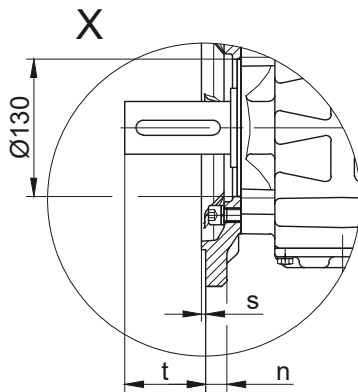
Code -7./



Flange with clearance holes

Code -3./

(Code -2./)



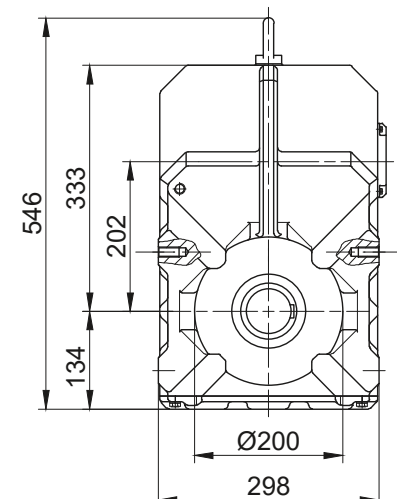
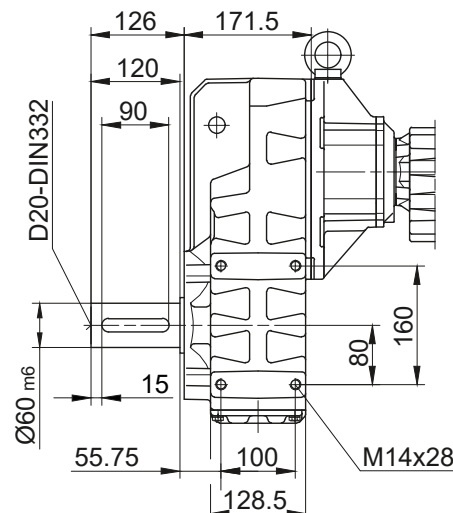
Flange Dimensions

Type	Design	k	l	m	n	o	q	s	t
BF50..	Code -3./	300	265	230	20	13.5	201	4	96.5
BF50..	Code -2./	250	215	180	16	13.5	198	4	99.5

Dimensions in millimetres (mm)

Foot with tapped holes left and right

Code -6.LR/

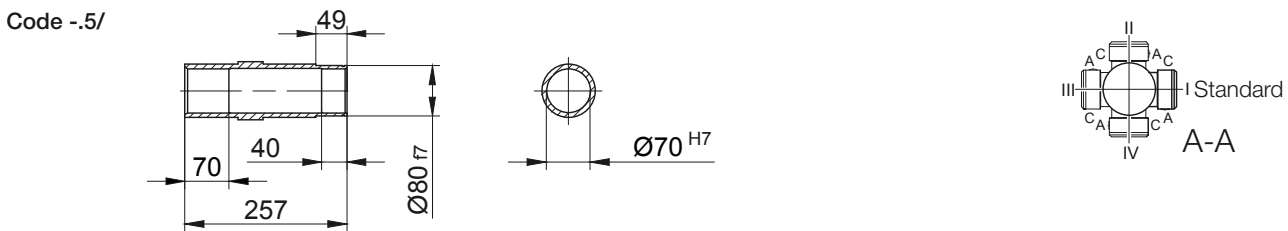
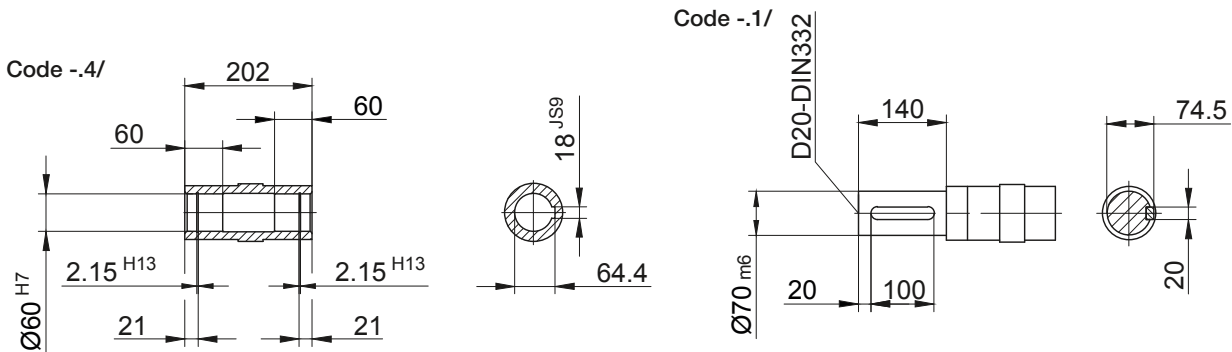
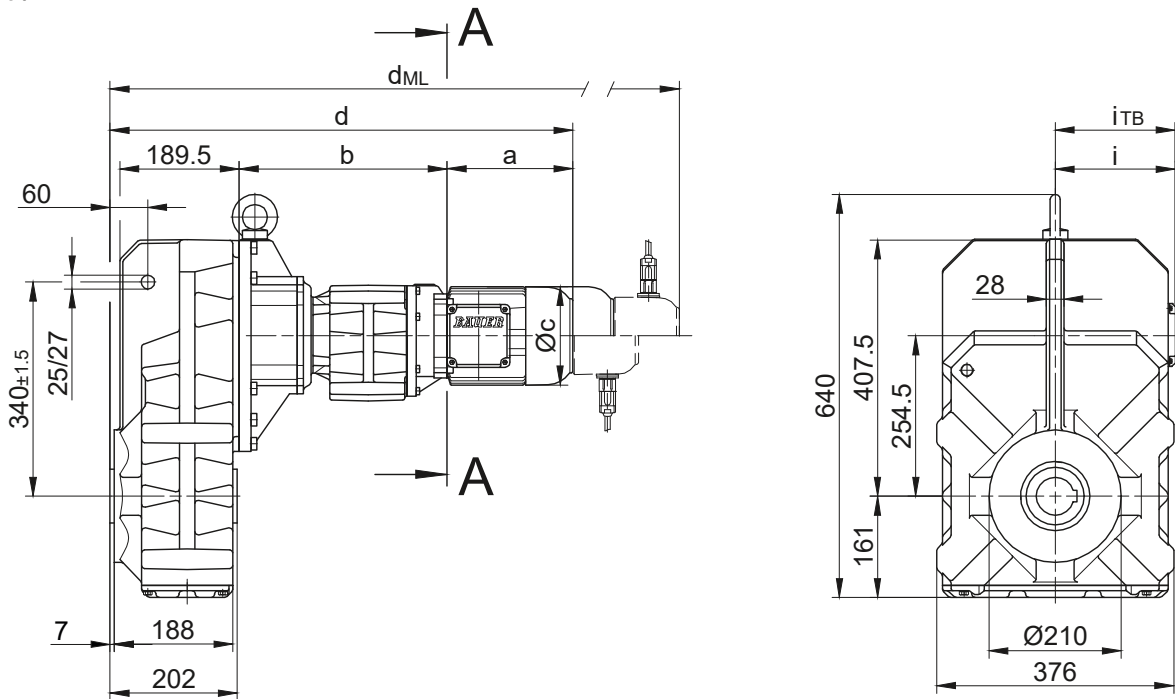


The actual gearbox design can vary from the geometry shown. Generate drive specific 3D and 2D geometries under www.BauerCat.com.

BF-series shaft-mounted geared motors

Dimension - Standard

BF60G20
with torque arm
Code -0./



Type	a	b	c	d	i	Design with motor extensions				
						i_{TB}	Brake	Encoder	Brake with Encoder	Back Stop
							d_{ML}	d_{ML}	d_{ML}	d_{ML}
BF60G20-../D..05.A.	170.5	326	123	701.5	101	117	743.5	804	841.5	-
BF60G20-../D..06.A.	170.5	326	123	701.5	99	119	743.5	804	841.5	-
BF60G20-../D..07.A.	190.5	326	123	721.5	99	119	763.5	824	861.5	-
BF60G20-../D..08.A.	199.5	330	156	734.5	114.5	136.5	800.5	846.5	908	800.5
BF60G20-../D..08.B.	229.5	330	156	764.5	114.5	136.5	830.5	876.5	937.5	830.5
BF60G20-../D..09.A.	250.5	344.5	176	800	124	157	893	907.5	997	893
BF60G20-../D..09.B.	308.5	344.5	176	858	124	157	951	965	1055	951

Dimensions in millimetres (mm)

The actual gearbox design can vary from the geometry shown. Generate drive specific 3D and 2D geometries under www.BauerCat.com.

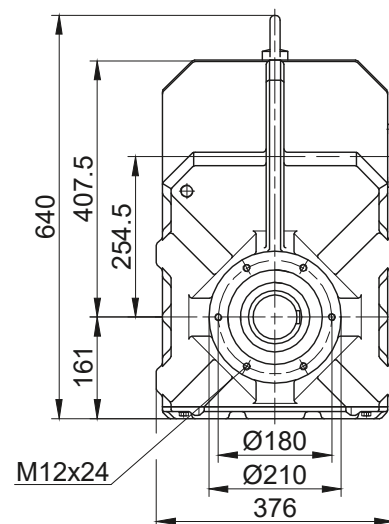
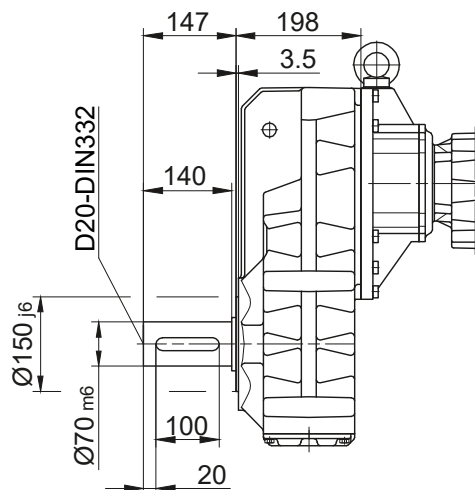
BF-series shaft-mounted geared motors

Dimension - Standard

BF60G20

Flange with tapped holes

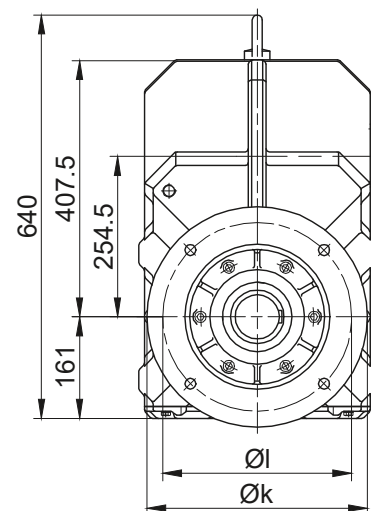
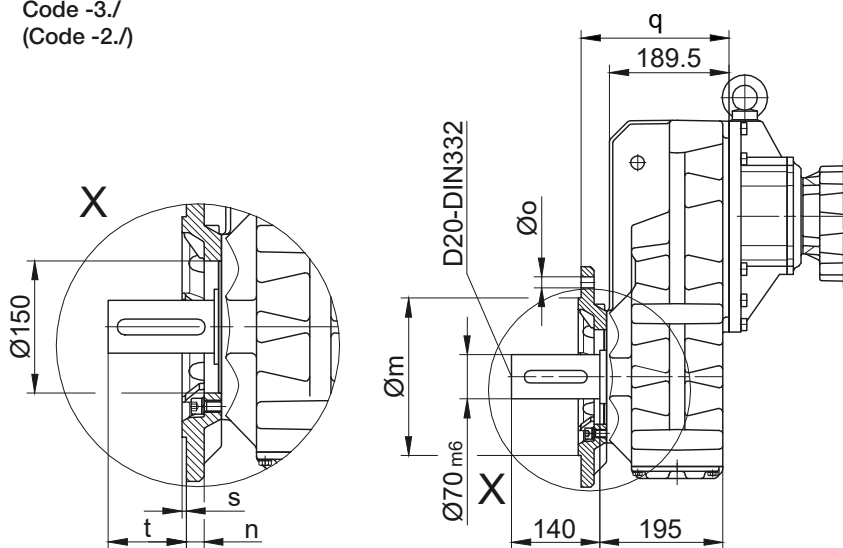
Code -7./



Flange with clearance holes

Code -3./

(Code -2./)



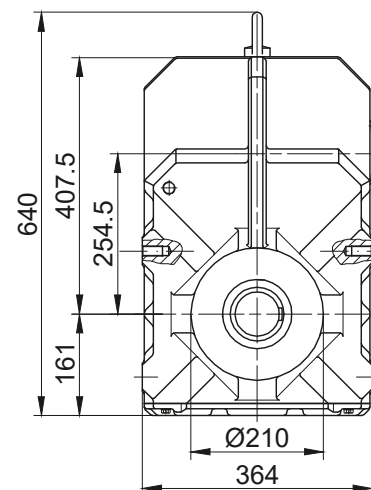
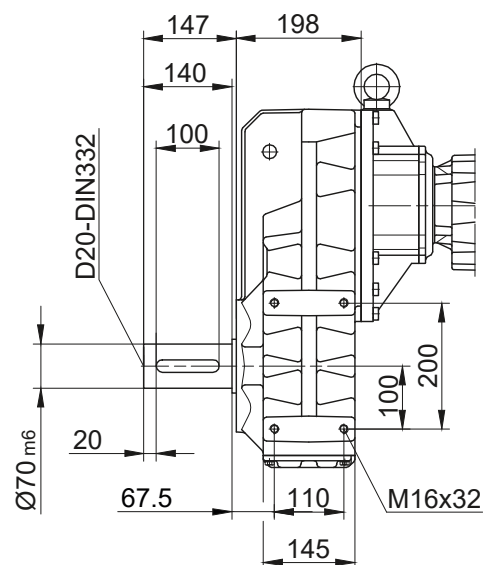
Flange Dimensions

Type	Design	k	l	m	n	o	q	s	t
BF60..	Code -3./	350	300	250	20	17.5	234.5	5	110.5
BF60..	Code -2./	300	265	230	20	13.5	242.5	4	102.5

Dimensions in millimetres (mm)

Foot with tapped holes left and right

Code -6.LR/

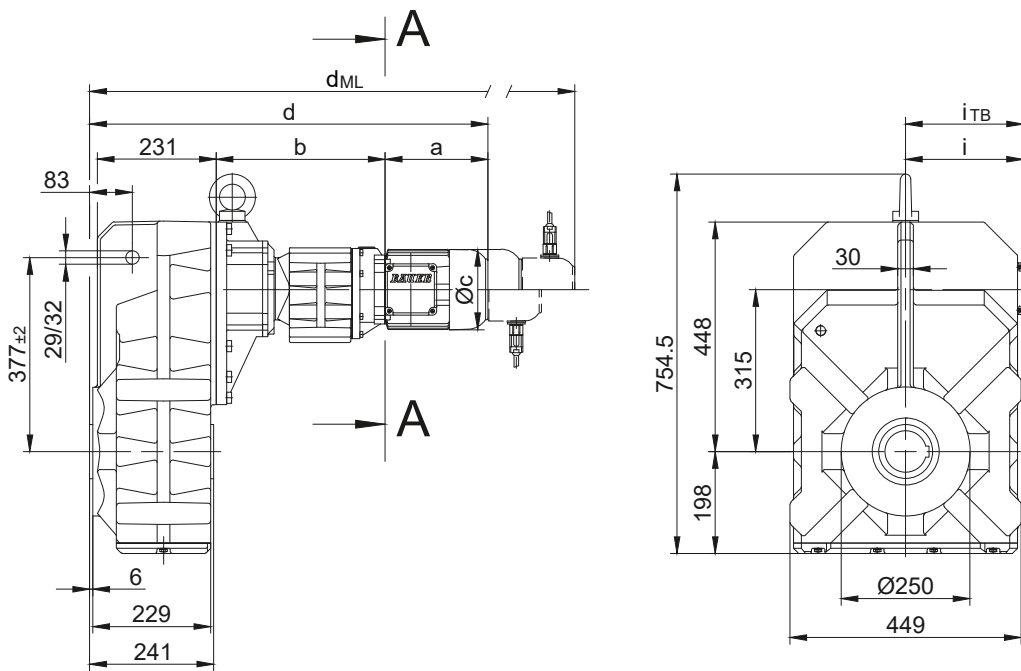


The actual gearbox design can vary from the geometry shown. Generate drive specific 3D and 2D geometries under www.BauerCat.com.

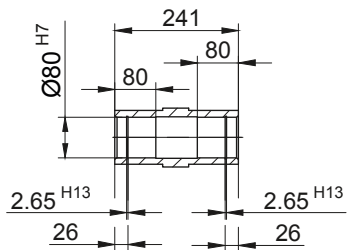
BF-series shaft-mounted geared motors

Dimension - Tandem Gearbox

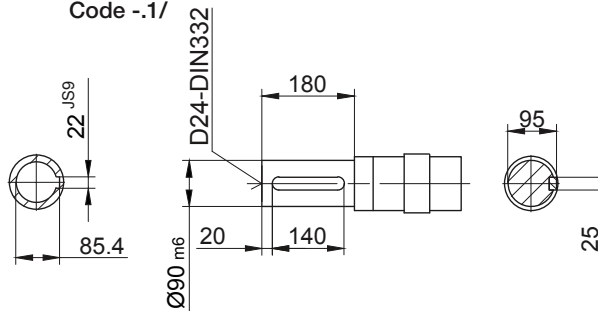
BF70G20
with torque arm
Code -0./



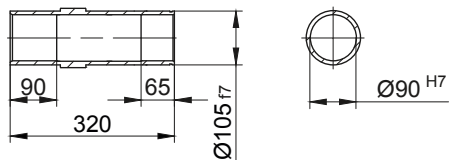
Code -4/



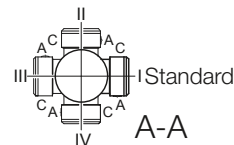
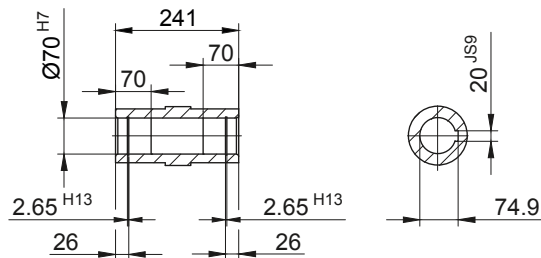
Code -1/



Code -5/



Code -4/K70



Type	a	b	c	d	i	Design with motor extensions				
						i _{TB}	Brake	Encoder	Brake with Encoder	Back Stop
							d _{ML}	d _{ML}	d _{ML}	d _{ML}
BF70G20-../D..05.A.	170.5	324	123	740.5	101	117	782.5	843	880.5	-
BF70G20-../D..06.A.	170.5	324	123	740.5	99	119	782.5	843	880.5	-
BF70G20-../D..07.A.	190.5	324	123	760.5	99	119	802.5	863	900.5	-
BF70G20-../D..08.A.	199.5	328	156	773.5	114.5	136.5	839.5	885.5	947	839.5
BF70G20-../D..08.B.	229.5	328	156	803.5	114.5	136.5	869.5	915.5	976.5	869.5
BF70G20-../D..09.A.	250.5	342.5	176	839	124	157	932	946.5	1036	932
BF70G20-../D..09.B.	308.5	342.5	176	897	124	157	990	1004	1094	990

Dimensions in millimetres (mm)

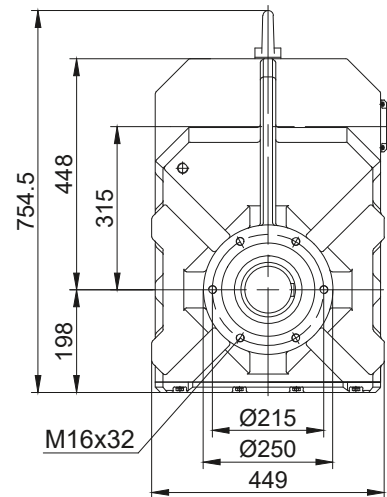
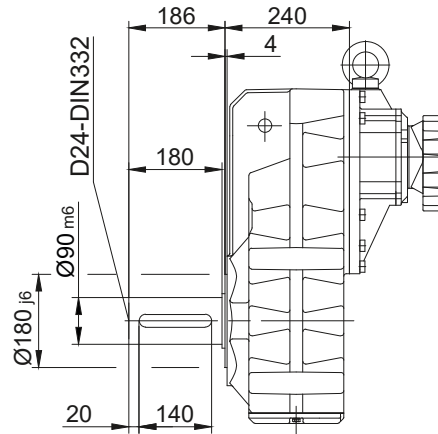
The actual gearbox design can vary from the geometry shown. Generate drive specific 3D and 2D geometries under www.BauerCat.com.

BF-series shaft-mounted geared motors

Dimension - Tandem Gearbox

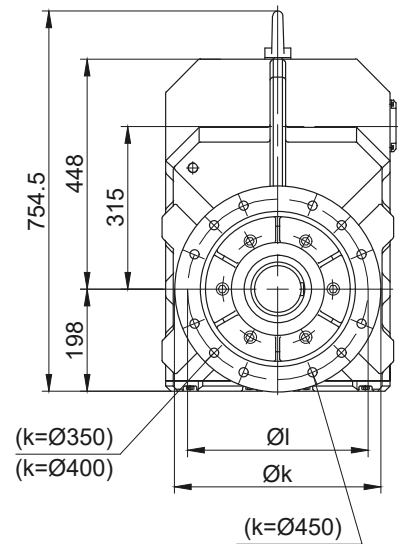
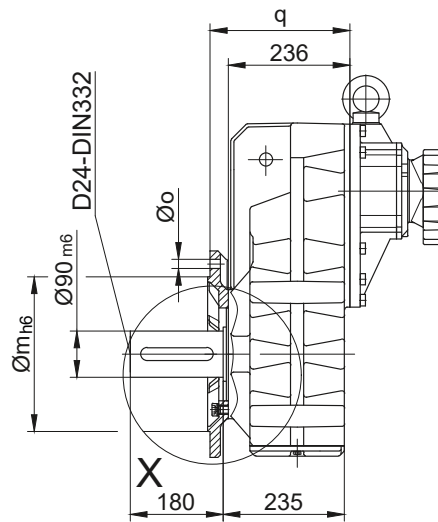
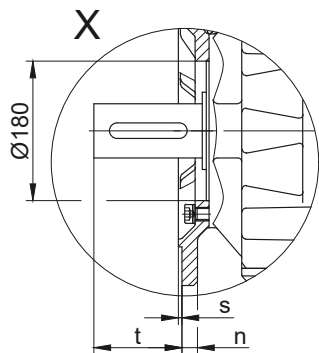
BF70G20

Flange with tapped holes
Code -7./



Flange with clearance holes

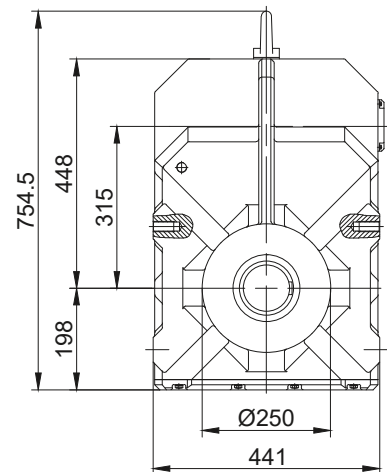
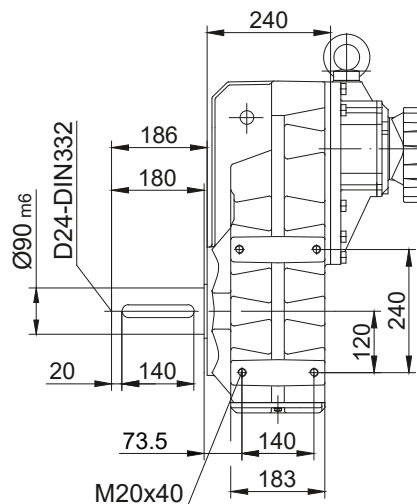
Code -3./
(Code -2./)
(Code -4./)



Type	Design	k	l	m	n	o	q	s	t
BF70..	Code -3./	400	350	300	20	4 x 17.5	271	5	155
BF70..	Code -2./	350	300	250	20	4 x 17.5	271	5	155
BF70..	Code -4./	450	400	350	22	8 x 17.5	281	5	145

Dimensions in millimetres (mm)

Foot with tapped holes left and right
Code -6.LR/



The actual gearbox design can vary from the geometry shown. Generate drive specific 3D and 2D geometries under www.BauerCat.com.

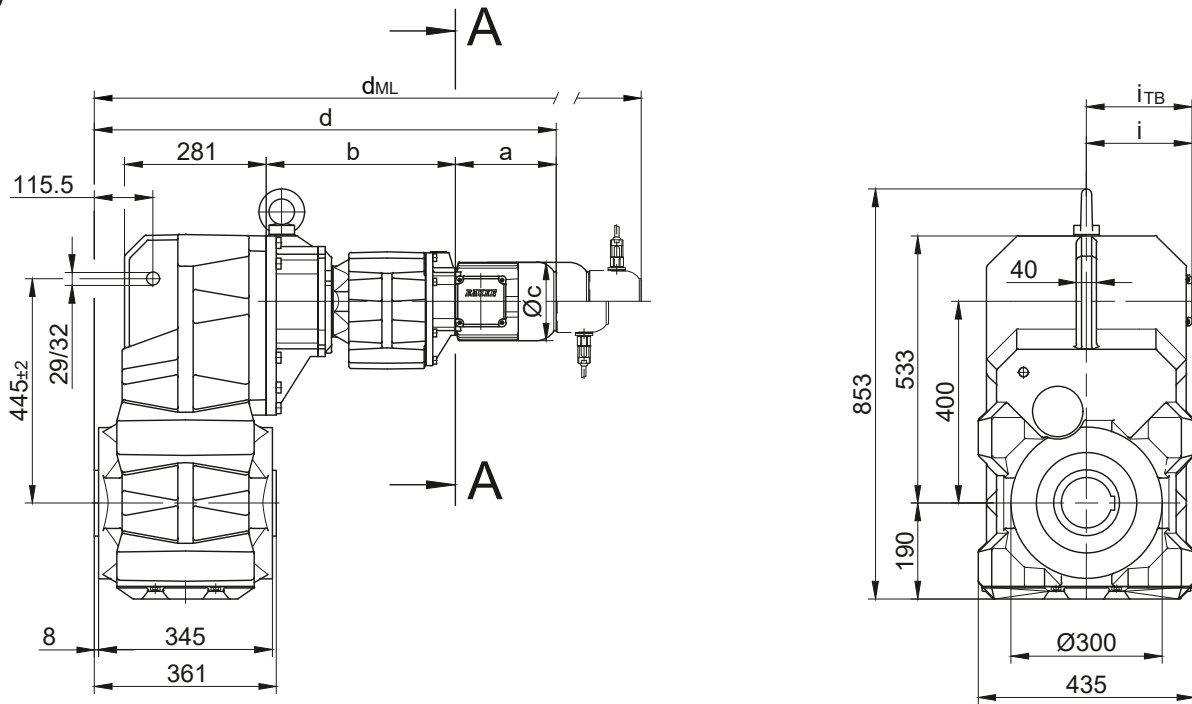
BF-series shaft-mounted geared motors

Dimension - Tandem Gearbox

BF80G40

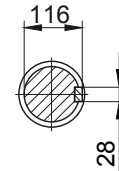
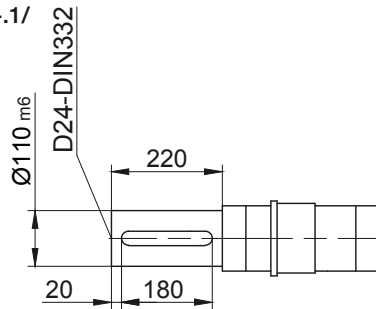
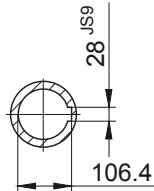
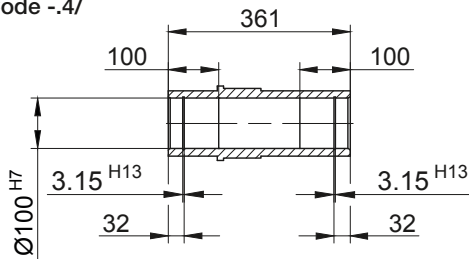
with torque arm

Code -0./

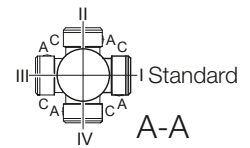
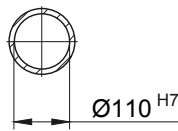
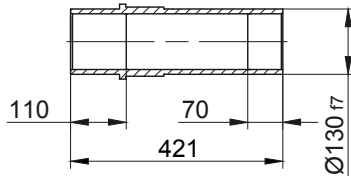


Code -1./

Code -4./



Code -5./



Type	a	b	c	d	i	Design with motor extensions				
						i _{TB}	Brake	Encoder	Brake with Encoder	Back Stop
							d _{ML}	d _{ML}	d _{ML}	d _{ML}
BF80G40-../D..08.A.	199.5	376	156	916	114.5	136.5	982	1028	1089.5	982
BF80G40-../D..08.B.	229.5	376	156	946	114.5	136.5	1012	1058	1119	1012
BF80G40-../D..09.A.	250.5	390.5	176	981.5	124	157	1074.5	1089	1178.5	1074.5
BF80G40-../D..09.B.	308.5	390.5	176	1039.5	124	157	1132.5	1146.5	1236.5	1132.5
BF80G40-../D..11.A.	319	397	218	1056.5	165	176	1154.5	1164	1256.5	1154.5
BF80G40-../D..11.B.	387	397	218	1124.5	165	176	1220.5	1232	1324.5	1220.5

Dimensions in millimetres (mm)

The actual gearbox design can vary from the geometry shown. Generate drive specific 3D and 2D geometries under www.BauerCat.com.

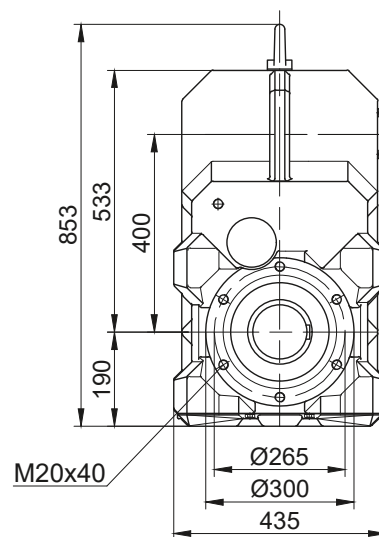
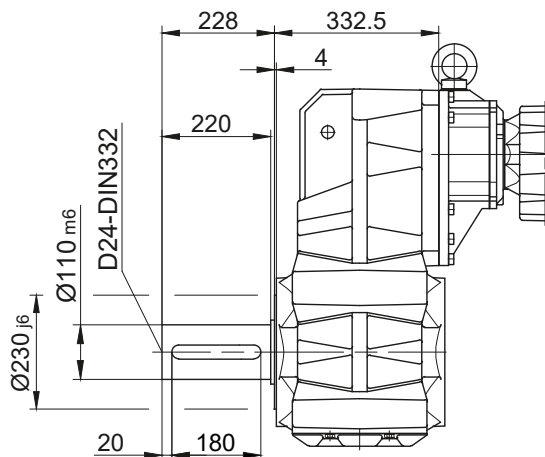
BF-series shaft-mounted geared motors

Dimension - Tandem Gearbox

BF80G40

Flange with tapped holes

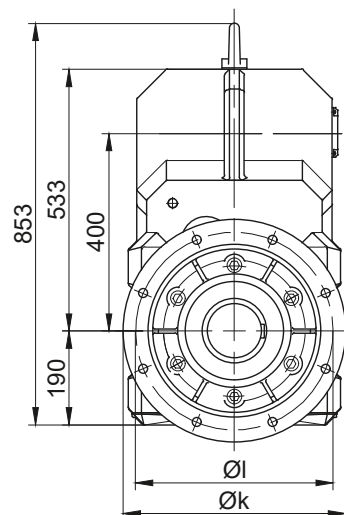
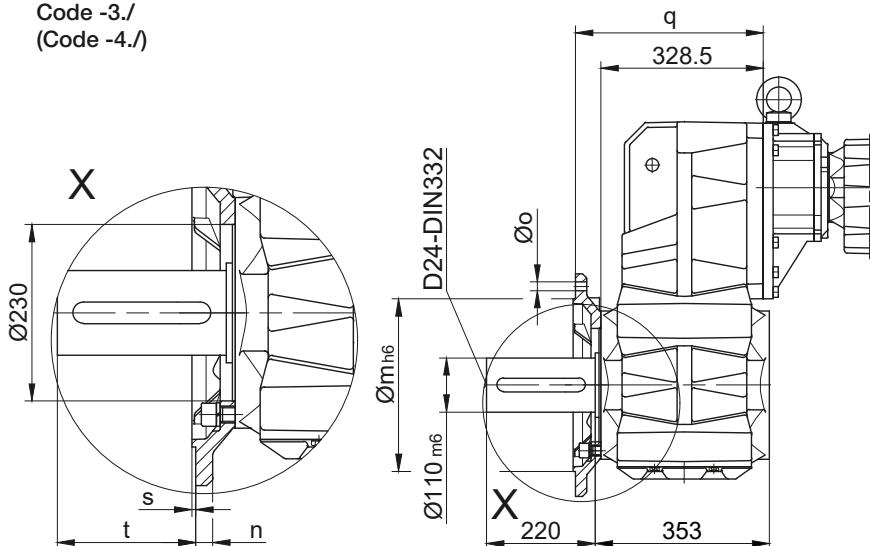
Code -7./



Flange with clearance holes

Code -3./

(Code -4./)

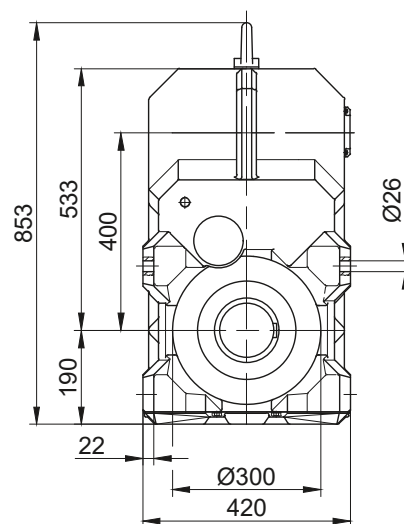
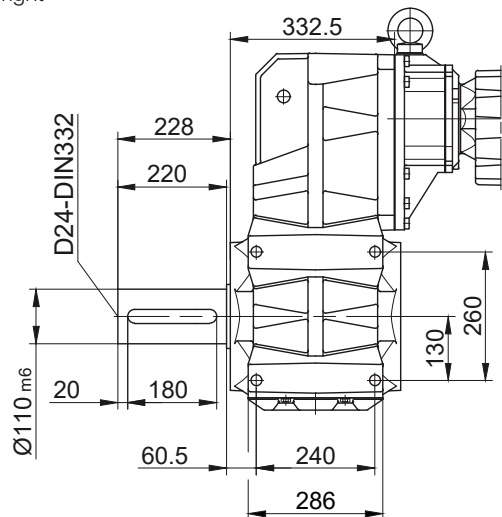


Flange Dimensions									
Type	Design	k	l	m	n	o	q	s	t
BF80..	Code -3./	450	400	350	22	17.5	383.5	5	177
BF80..	Code -4./	550	500	450	22	17.5	388.5	5	172

Dimensions in millimetres (mm)

Foot with clearance holes left and right

Code -1.LR/

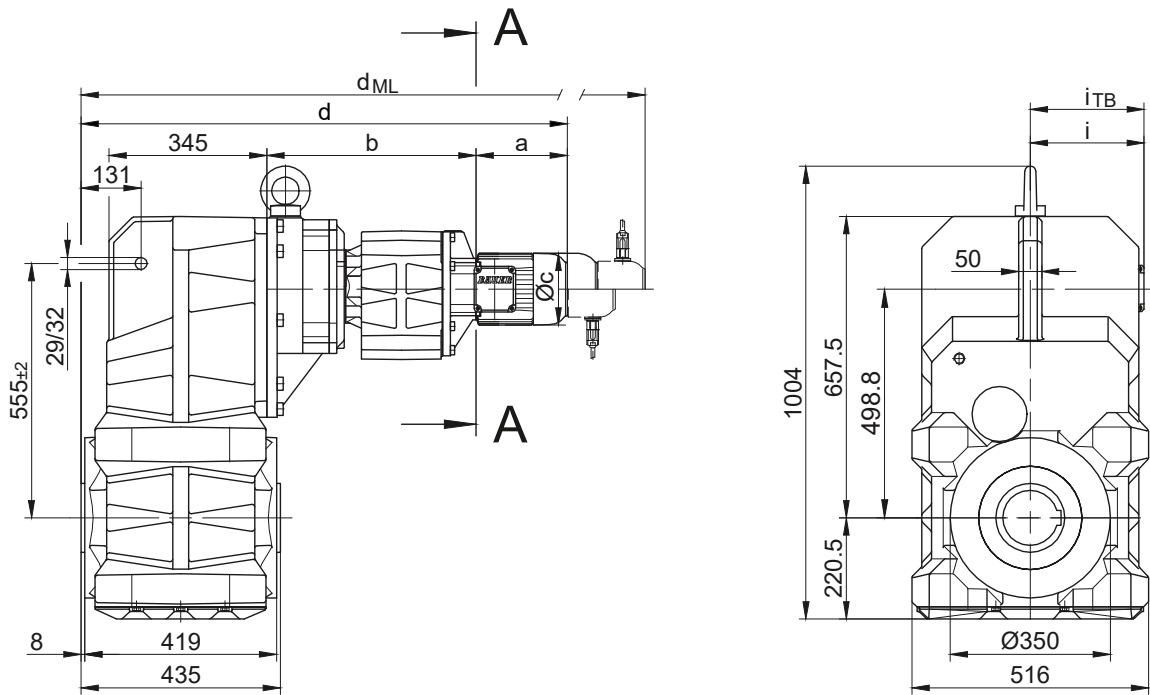


The actual gearbox design can vary from the geometry shown. Generate drive specific 3D and 2D geometries under www.BauerCat.com.

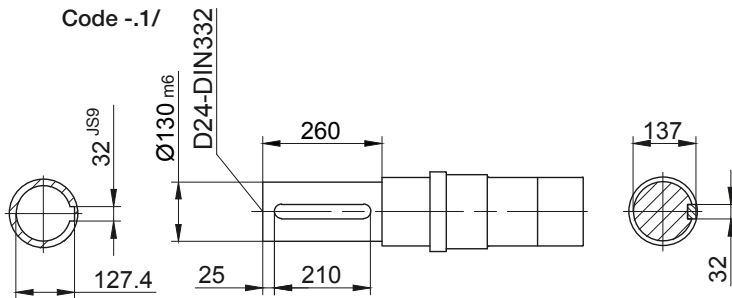
BF-series shaft-mounted geared motors

Dimension - Tandem Gearbox

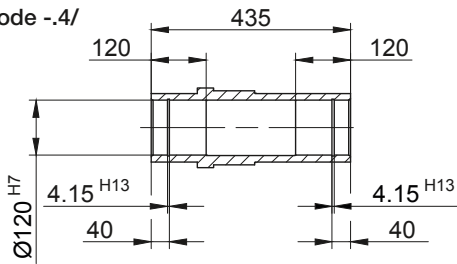
BF90G50
with torque arm
Code -0./



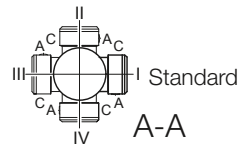
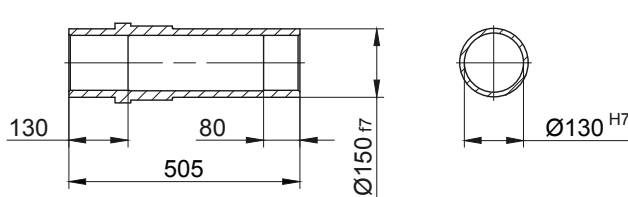
Code -1/



Code -4/



Code -5/



Type	a	b	c	d	i	Design with motor extensions				
						i _{TB}	Brake	Encoder	Brake with Encoder	Back Stop
							d _{ML}	d _{ML}	d _{ML}	d _{ML}
BF90G50-.../D..08.A.	199.5	456	156	1061.5	114.5	136.5	1127.5	1173.5	1235	1127.5
BF90G50-.../D..08.B.	229.5	456	156	1091.5	114.5	136.5	1157.5	1203.5	1264.5	1157.5
BF90G50-.../D..09.A.	250.5	470.5	176	1127	124	157	1220	1234.5	1324	1220
BF90G50-.../D..09.B.	308.5	470.5	176	1185	124	157	1278	1292	1382	1278
BF90G50-.../D..11.A.	319	477	218	1202	165	176	1300	1309.5	1402	1300
BF90G50-.../D..11.B.	387	477	218	1270	165	176	1366	1377.5	1470	1366
BF90G50-.../D..13.A.	393	490	258	1289	217	217	1400	1396	1501	1397
BF90G50-.../D..16.B.	454.5	504	310	1364.5	243	243	1508	1471.5	1611.5	1508
BF90G50-.../D..18.B.	542	526	348	1474	288	288	1623.5	1579.5	1727	1623.5

Dimensions in millimetres (mm)

The actual gearbox design can vary from the geometry shown. Generate drive specific 3D and 2D geometries under www.BauerCat.com.

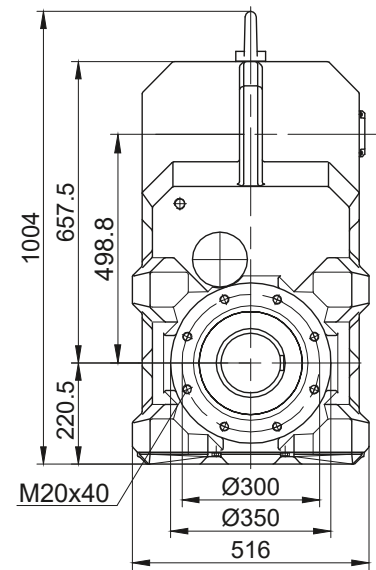
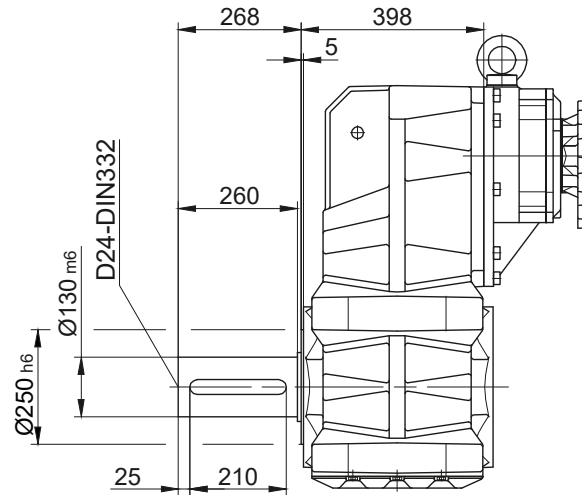
BF-series shaft-mounted geared motors

Dimension - Tandem Gearbox

BF90G50

Flange with tapped holes

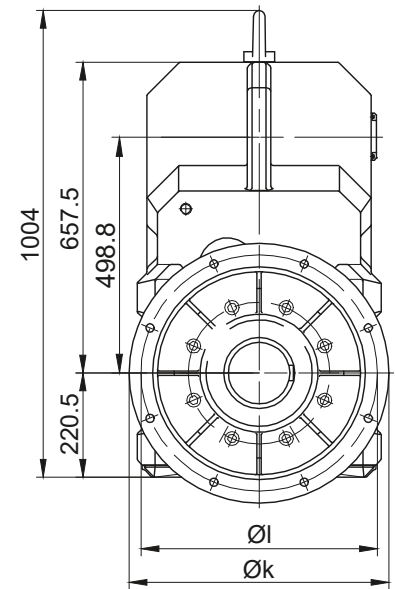
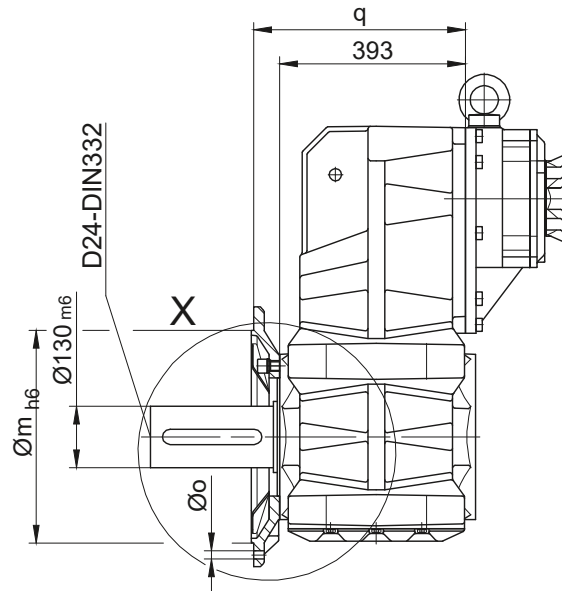
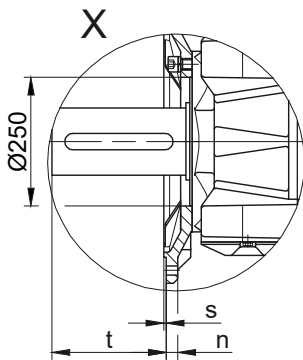
Code -7./



Flange with clearance holes

Code -3./

(Code -4./)



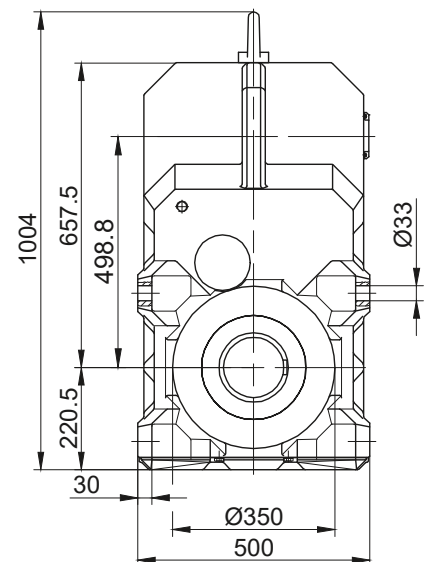
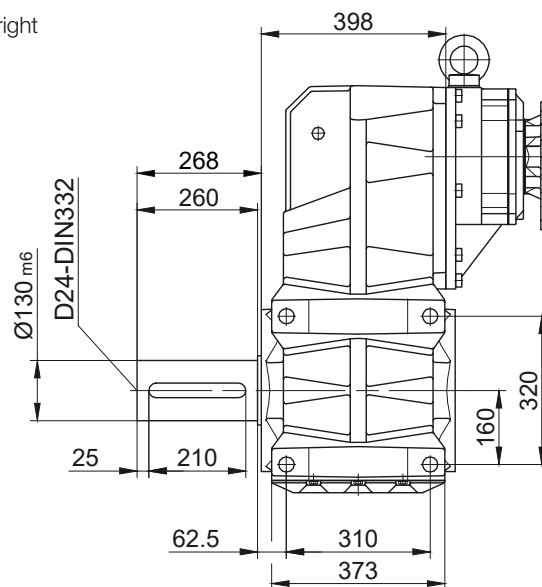
Flange Dimensions

Type	Design	k	l	m	n	o	q	s	t
BF90..	Code -3./	550	500	450	22	17.5	448	5	218
BF90..	Code -4./	660	600	550	25	22	442	6	224

Dimensions in millimetres (mm)

Foot with clearance holes left and right

Code -1.LR/

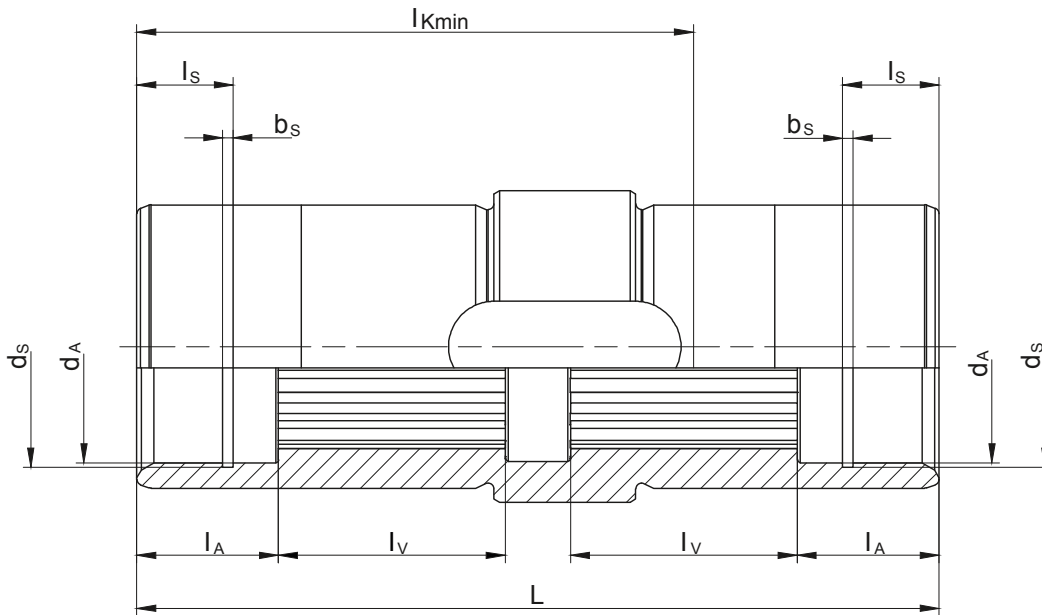


The actual gearbox design can vary from the geometry shown. Generate drive specific 3D and 2D geometries under www.BauerCat.com.

BF-series shaft-mounted geared motors

Additional Dimension Sheet

Splined shaft



Type	Splined shaft acc. to DIN 5480	d_A	l_A	l_V	l_{Kmin}	L	d_s	l_s	b_s
BF06	N25x1.25x18x9H	30 ^{G7}	22	20	68	92	31.4 ^{H12}	15	1.3 ^{H13}
BF10	N30x1.25x22x9H	30.5 ^{G7}	22	33.5	87	124.5	31.4 ^{H12}	15	1.3 ^{H13}
BF20	N35x2x16x9H	36 ^{G7}	22	35	92	130	37 ^{H12}	9.5	1.6 ^{H13}
BF30	N40x2x18x9H	41 ^{G7}	25	40	103	141.5	42.5 ^{H12}	15	1.85 ^{H13}
BF40	N50x2x24x9H	51 ^{G7}	25	48	120	166	53 ^{H12}	9.5	2.15 ^{H13}
BF50	N60x2x28x9H	61 ^{G7}	25	55	123	176	63 ^{H12}	17	2.15 ^{H13}
BF60	N70x2x34x9H	72 ^{G7}	25	70	147	202	75 ^{H12}	17	2.65 ^{H13}
BF70	N85x3x27x9H	86 ^{G7}	26	85	185	241	88.5 ^{H12}	17	3.15 ^{H13}
BF80	N110x3x35x9H	112 ^{G7}	50	90	292	361	116 ^{H12}	30	4.15 ^{H13}
BF90	N130x5x24x9H	131.5 ^{G7}	60	110	365	435	134 ^{H12}	30	4.15 ^{H13}

Dimensions in millimetres (mm)

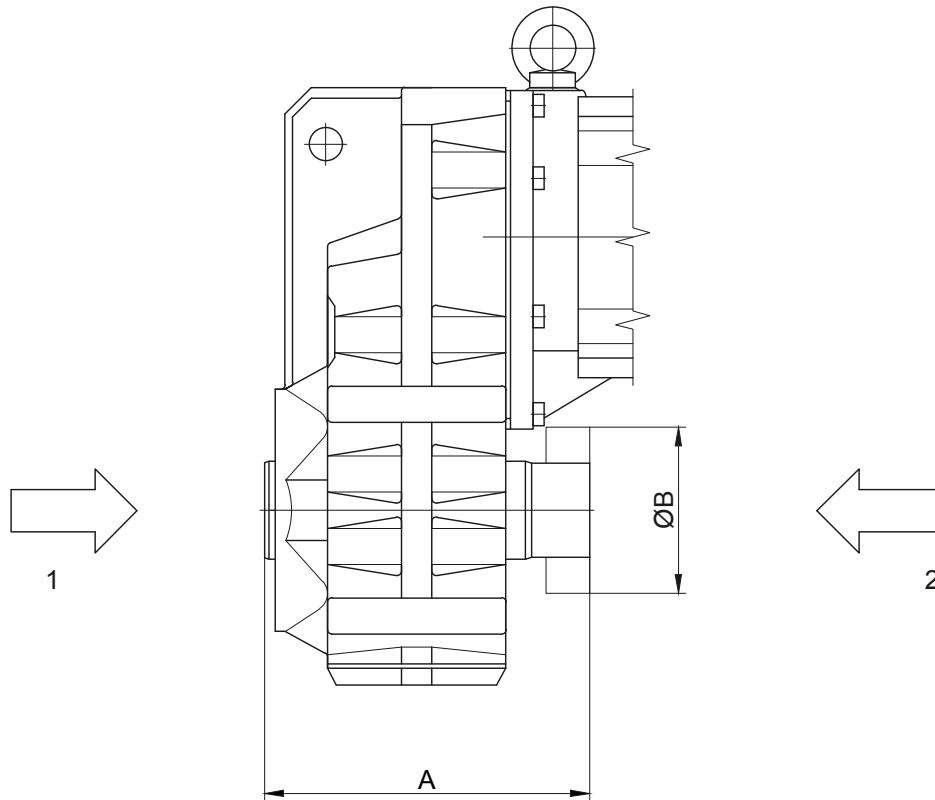
11

BF-series shaft-mounted geared motors

Additional Dimension Sheet

Shrink disc coupling (SSV)

(Code BF10-.5/...)
(Code BF10Z-.5/...)



- 1 Gear side FRONT (V)
- 2 Gear side REAR (H)

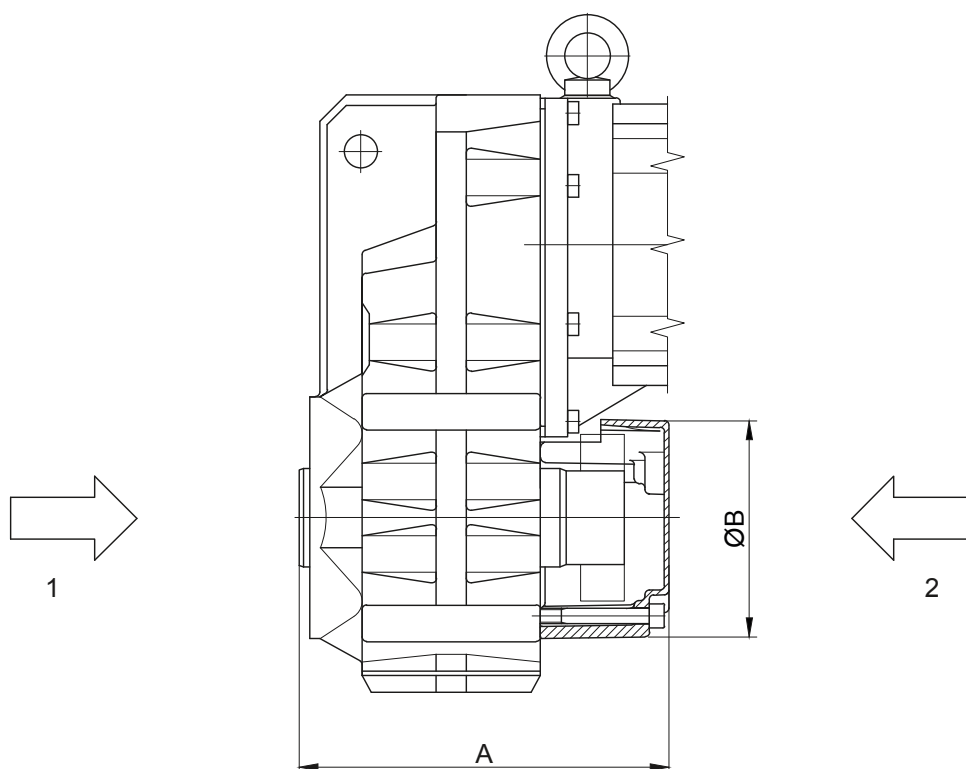
Type	SSV Ringfeder	SSV STÜWE	A	B
BF10	RfN 4161 036x072	HSD 36-22x36	153	72
BF20	RfN 4161 044x080	HSD 44-22x44	173	80
BF30	RfN 4161 050x090	HSD 50-22x50	192	90
BF40	RfN 4161 062x110	HSD 62-22x62	215	110
BF50	RfN 4161 068x115	HSD 68-22x68	211	115
BF60	RfN 4161 080x141	HSD 80-22x80	257	140
BF70	RfN 4161 105x185	HSD 110-22x105	320	185
BF80	RfN 4161 130x215	HSD 125-22x130	421	215
BF90	RfN 4161 150x263	HSD 155-22x150	505	263
Dimensions in millimetres (mm)				

BF-series shaft-mounted geared motors

Additional Dimension Sheet

Shrink disc coupling with (SSV) cover

(Code BF10-.5A/...)
(Code BF10Z-.5A/...)



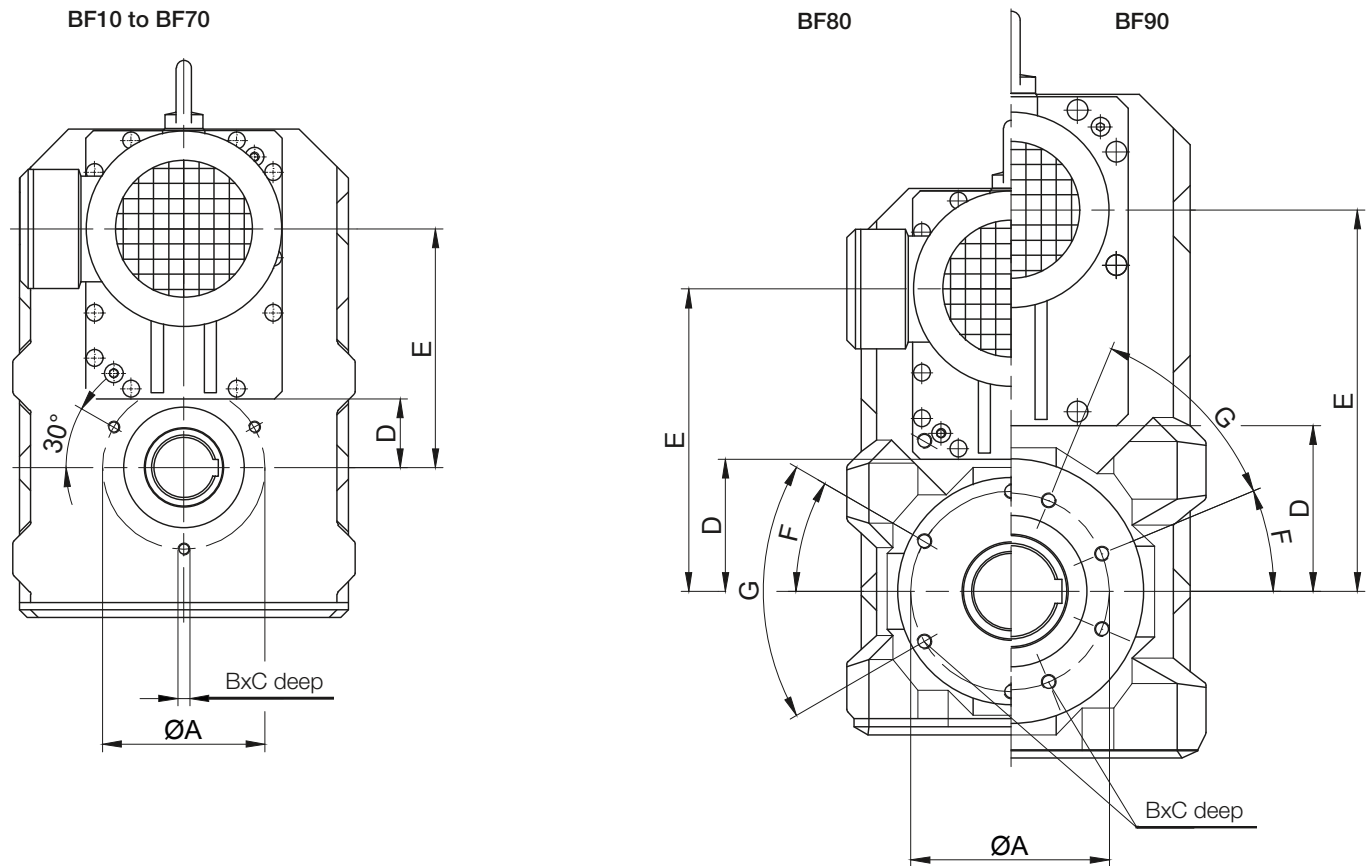
- 1 Gear side FRONT (V)
2 Gear side REAR (H)

Type	SSV Ringfeder	SSV STÜWE	A	B
BF10	RfN 4161 036x072	HSD 36-22x36	174	120
BF20	RfN 4161 044x080	HSD 44-22x44	211	140
BF30	RfN 4161 050x090	HSD 50-22x50	223	140
BF40	RfN 4161 062x110	HSD 62-22x62	245	160
BF50	RfN 4161 068x115	HSD 68-22x68	227	200
BF60	RfN 4161 080x141	HSD 80-22x80	290	210
BF70	RfN 4161 105x185	HSD 110-22x105	359	250
BF80	RfN 4161 130x215	HSD 125-22x130	463	300
BF90	RfN 4161 150x263	HSD 155-22x150	557	350
Dimensions in millimetres (mm)				

BF-series shaft-mounted geared motors

Additional Dimension Sheet

Tapped Holes Side (H) → Shaft Cover



11

Gear	A	B	C	D	E	F	G
BF10	100	M8	16	35	118	-	-
BF20	115	M10	20	39	136	-	-
BF30	115	M10	20	44	157	-	-
BF40	130	M10	20	52	180.5	-	-
BF50	165	M12	24	60	207	-	-
BF60	180	M12	24	69	255,5	-	-
BF70	215	M16	32	89	316	-	-
BF80	265	M20	40	173	400	30°	6x60°
BF90	300	M20	40	219	504.5	22.5°	8x45°

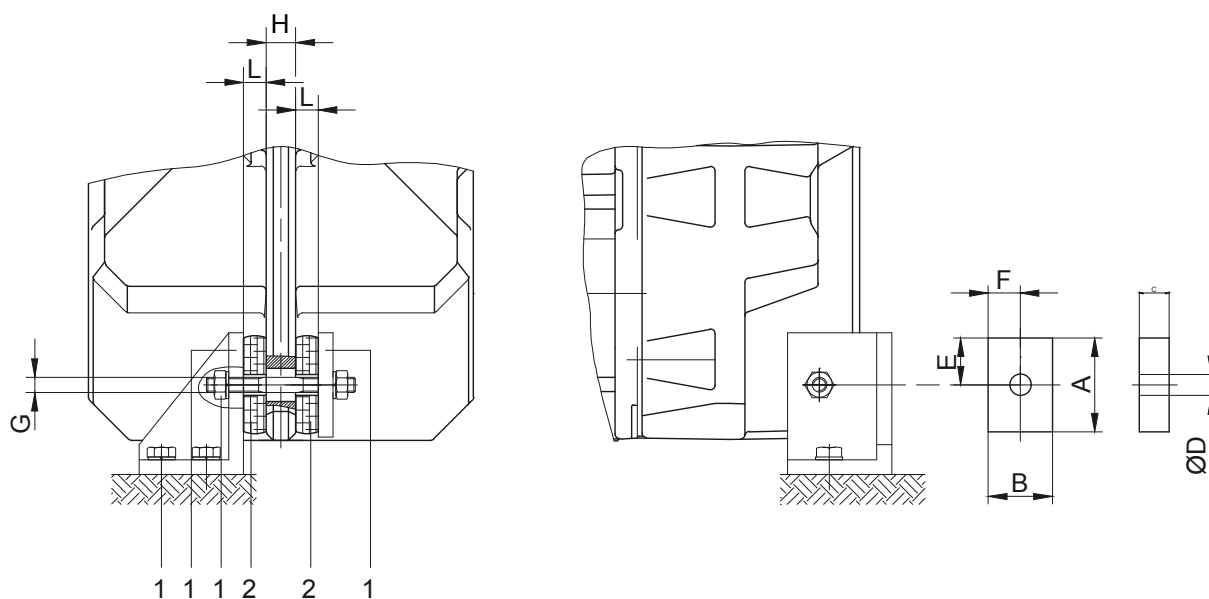
Dimensions in millimetres (mm)

The actual gearbox design can vary from the geometry shown. Generate drive specific 3D and 2D geometries under www.BauerCat.com.

BF-series shaft-mounted geared motors

Additional Dimension Sheet

Rubber buffer for torque restraint



- 1 not included in delivery
- 2 Rubber buffers pretensioned

G maximaler Schraubendurchmesser

11

Material: Natural rubber Hardness 50 +/-5 Shore A

Dimensions of the transverse hole: See dimensioned sketch of the respective shaft mounted gearbox

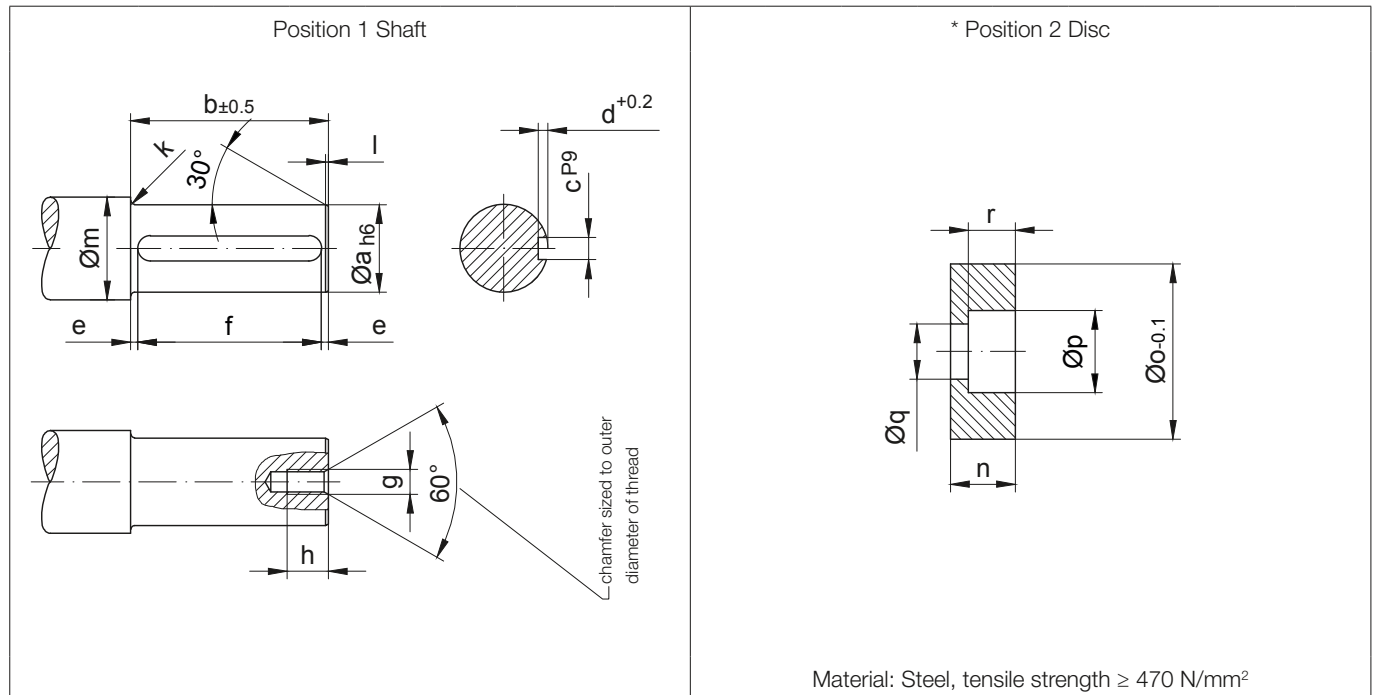
Gear	Position	A	B	C	D	E	F	G	H	L
BF06	0	30	30	12	12	15	15	M10	10	10
BF10	1	48	32	15	14	24	16	M10	16	13.5
BF20	1	48	32	15	14	24	16	M10	18	13
BF30	2	63	43	20	14	31.5	21.5	M10	18	17
BF40	2	63	43	20	14	31.5	21.5	M10	20	16.5
BF50	3	88	60	25	22	44	30	M18	24	21.5
BF60	3	88	60	25	22	44	30	M18	28	21
BF70	4	123	88	30	26	61.5	44	M20	30	25.5
BF80	5	133	103	35	26	66.5	51.5	M20	40	30
BF90	5	133	103	35	26	66.5	51.5	M20	50	29.5

Dimensions in millimetres (mm)

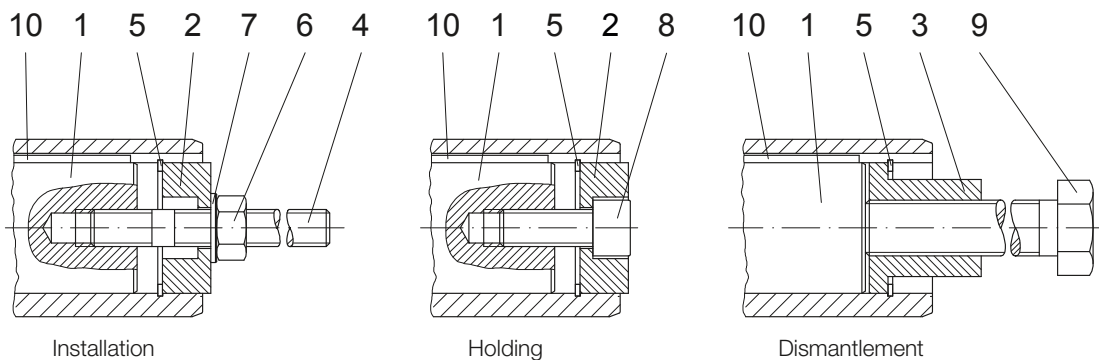
BF-series shaft-mounted geared motors

Additional Dimension Sheet

Assembly tools for hollow shaft and keyway



Type	Dimensions (mm)															
	Position 1 Shaft											Position 2 Disc				
	a	b	c	d	e	f	g	h	k	l	m	n	o	p	q	r
BF06	25	70	8	4	3.5	63 ^{+0.5}	M8	18	2	1.5	33	13.5	24.8	15	9	8.5
BF10	25	102	8	4	6	90 ^{+0.5}	M8	18	2.5	1.5	33	13.5	24.8	15	9	8.5
BF20	30	108	8	4	9	90 ^{+0.5}	M10	20	3	1.5	38	15	29.8	18	11	10
BF30	35	118	10	5	9	100 ^{+0.5}	M10	20	3	1.5	43	16	34.8	18	11	10
BF40	40	141	12	5	8	125 ^{+0.5}	M12	22	3	2	48	18	39.8	20	13.5	12
BF50	50	148	14	5.5	11.5	125 ^{+0.5}	M16	30	3.5	2	58	21	49.8	26	17.5	15
BF60	60	173	18	7	6.5	160 ^{+0.5}	M20	38	3.5	2	68	24	59.8	33	22	18
BF70	80	205	22	9	12.5	180 ^{+0.5}	M20	38	4	2	90	27	79.8	33	22	20
BF70-K70	70	205	20	7.5	12.5	180 ^{+0.5}	M20	38	4	2	90	27	69.8	33	22	20
BF80	100	317	28	10	18.5	280 ^{+0.5}	M24	45	4	3	110	32	99.8	40	26	25
BF90	120	383	32	11	11.5	360 ^{+0.5}	M24	45	4.5	3	130	35	119.8	40	26	28



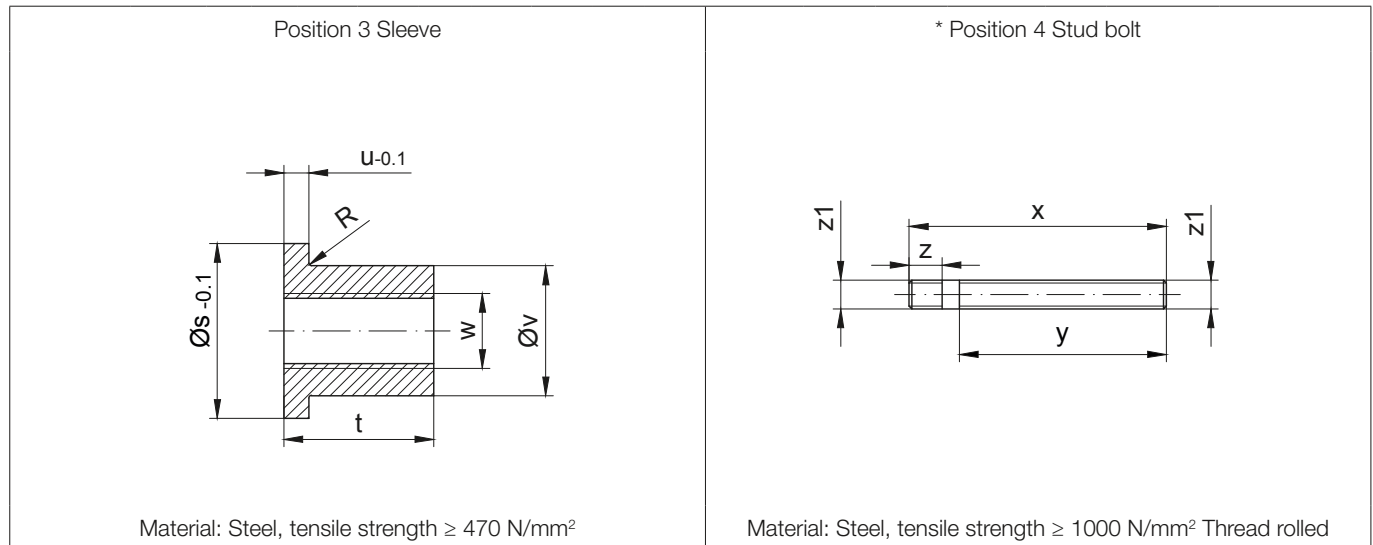
The parts shown are necessary for assembly. ONLY * specified parts are enclosed in the assembly kit. Suitable measures are to be used to secure Bolt Pos. 8 against loosening!

The actual gearbox design can vary from the geometry shown. Generate drive specific 3D and 2D geometries under www.BauerCat.com.

BF-series shaft-mounted geared motors

Additional Dimension Sheet

Assembly tools for hollow shaft and keyway



Type	Dimensions (mm)										* Retaining ring DIN 472	Hexagon nut DIN 394-8	Disc DIN 125-St	* Filister head screw DIN 912-8.8	Tightening torques (Nm)	Hexagon bolt DIN EN 24017-8.8	Key DIN 6885 Width/Height/Length
	Position 3 Sleeve						Position 4 Stud bolt										
	s	t	u	v	w	R	x	y	z	z1							
BF06	24.8	24	5	15.4	M12	0.8	160	130	20	M8	25x1.2	M8	8.4	M8x30	5	M12x110	A 8x7x63
BF10	24.8	24	5	15.4	M12	0.8	160	130	20	M8	25x1.2	M8	8.4	M8x30		M12x140	A 8x7x90
BF20	29.8	28	5	19.8	M14	0.8	170	135	23	M10	30x1.2	M10	10.5	M10x30	8	M14x150	A 8x7x90
BF30	34.8	28	5	23	M14	-	180	145	23	M10	35x1.5	M10	10.5	M10x35		M14x160	A 10x8x100
BF40	39.8	40	6	27.7	M20	0.8	210	170	28	M12	40x1.75	M12	13	M12x35	16	M20x200	A 12x8x125
BF50	49.8	48	6	36	M24	-	230	175	37	M16	50x2.0	M16	17	M16x40	30	M24x210	A 14x9x125
BF60	59.8	60	6	44	M30	-	270	205	45	M20	60x2.0	M20	21	M20x50	42	M30x250	A 18x11x160
BF70	79.8	60	8	55	M30	-	310	240	45	M20	80x2.5	M20	21	M20x50		M30x280	A 22x14x180
BF70-K70	69.8	60	8	53	M30	-	310	240	45	M20	70x2.5	M20	21	M20x50		M30x280	A 20x12x180
BF80	99.8	72	10	75	M36	-	440	360	55	M24	100x3.0	M24	25	M24x60	100	M36x410	A 28x16x280
BF90	119.8	72	10	80	M36	-	510	430	55	M24	120x4.0	M24	25	M24x60		M36x480	A 32x18x360

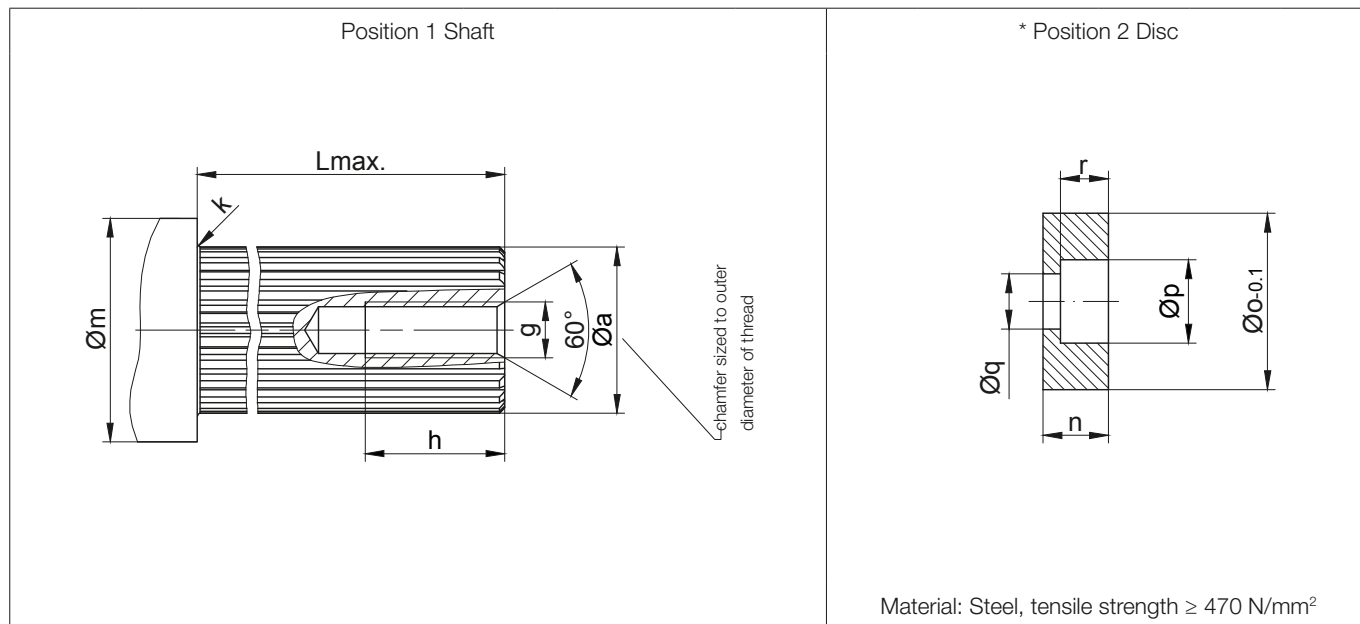
The parts shown are necessary for assembly. ONLY * specified parts are enclosed in the assembly kit.
Suitable measures are to be used to secure Bolt Pos. 8 against loosening!

Optional	Type	Assembly tool „Holding“
	BF06	Id.Nr. 4103921
	BF10	Id.Nr. 4103921
	BF20	Id.Nr. 4103939
	BF30	Id.Nr. 4103947
	BF40	Id.Nr. 4103955
	BF50	Id.Nr. 4103963
	BF60	Id.Nr. 4103971
	BF70	Id.Nr. 4103980
	BF70-K70	Id.Nr. 4104765
	BF80	Id.Nr. 4103998
	BF90	Id.Nr. 4104005

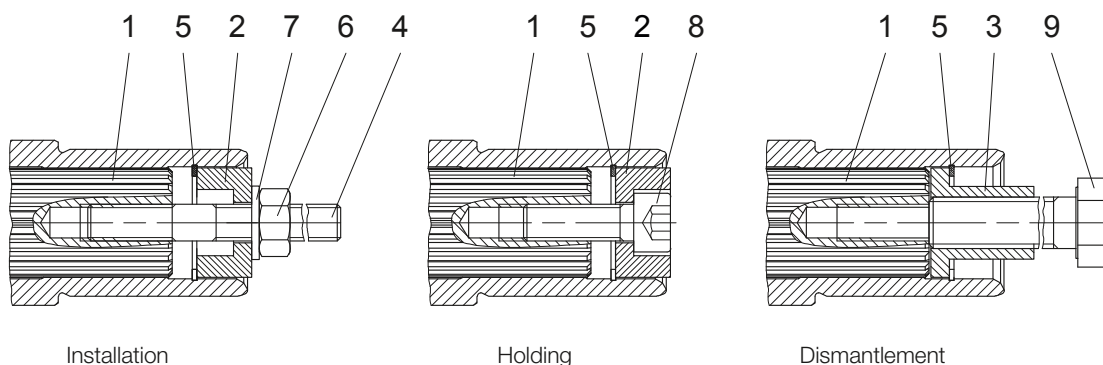
BF-series shaft-mounted geared motors

Additional Dimension Sheet

Assembly tools for shaft mounted gears with splined shaft



Type	Dimensions (mm)										
	Position 1 Shaft						Position 2 Disc				
	a	g	h	g	L _{max.}	m	n	o	p	q	r
BF06	DIN 5480-W25x1.25x18x8f	M8	20	2	70	37	13	29.9	15	9	8
BF10	DIN 5480-W30x1.25x22x8f	M10	25	2.5	100	38	15	30.4	18	11	10
BF20	DIN 5480-W35x2x16x8f	M10	25	3	110	43	14	35.9	18	11	10
BF30	DIN 5480-W40x2x18x8f	M12	30	3	117	48	18	40.9	20	13.5	12
BF40	DIN 5480-W50x2x24x8f	M16	35	3	145	60	17.5	50.9	26	17.5	12.5
BF50	DIN 5480-W60x2x28x8f	M20	40	3.5	150	69	24	60.9	33	22	18
BF60	DIN 5480-W70x2x34x8f	M20	40	3.5	175	80	24	71.9	33	22	18
BF70	DIN 5480-W85x3x27x8f	M20	40	4	215	96	22	85.9	33	22	16
BF80	DIN 5480-W110x3x35x8f	M24	50	4	315	122	32	111.9	40	26	25
BF90	DIN 5480-W130x5x24x8f	M24	50	4.5	390	141	25	131.4	40	26	18

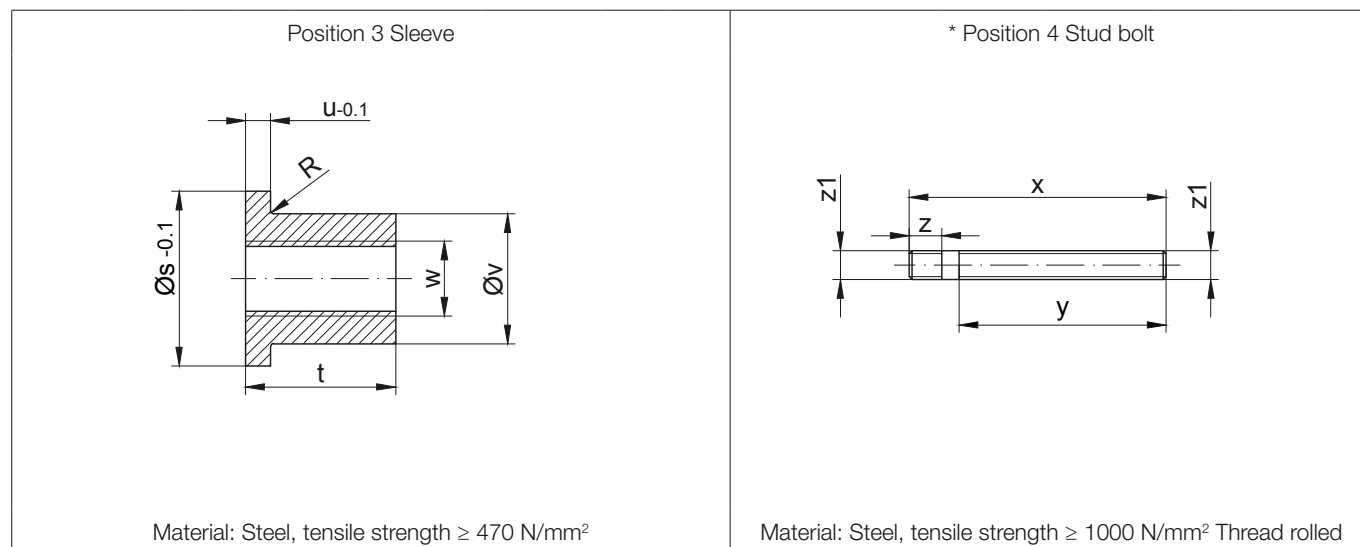


The parts shown are necessary for assembly. ONLY * specified parts are enclosed in the assembly kit. Suitable measures are to be used to secure Bolt Pos. 8 against loosening!

BF-series shaft-mounted geared motors

Additional Dimension Sheet

Assembly tools for shaft mounted gears with splined shaft



Type	Dimensions (mm)										* Retaining ring DIN 472	Hexagon nut DIN 934-8	Disc DIN 125-St	* Filister head screw DIN 912-8.8	Starting torque (Nm)	Hexagon bolt DIN EN 24017-8.8
	Position 3 Sleeve						Position 4 Stud bolt									
	s	t	u	v	w	R	x	y	z	z1						
BF06	29.9	24	5	15.4	M12	0.8	160	130	20	M8	30x1.2	M8	8.4	M8x30	5	M12x110
BF10	30.4	28	5	19.8	M14	-	170	135	23	M10	30x1.2	M10	10.5	M10x30	8	M14x150
BF20	35.9	28	5	23	M14	-	180	145	23	M10	35x1.5	M10	10.5	M10x35		M14x160
BF30	40.9	40	6	27.7	M20	-	210	170	28	M12	40x1.75	M12	13	M12x35	16	M20x200
BF40	50.9	48	6	36	M24	0.8	230	175	37	M16	50x2.0	M16	17	M16x40	30	M24x210
BF50	60.9	60	6	44	M30	-	270	205	45	M20	60x2.0	M20	21	M20x50	42	M30x250
BF60	71.9	60	6	53	M30	0.8	310	240	45	M20	72x2.5	M20	21	M20x50		M20x280
BF70	85.9	60	8	65	M30	0.8	310	240	45	M20	85x3	M20	21	M20x50		M30x280
BF80	111.9	72	10	85	M36	0.8	440	360	55	M24	112x4	M24	25	M24x60	100	M36x410
BF90	131.4	72	10	95	M36	0.8	510	430	55	M24	130x4	M24	25	M24x60		M36x480

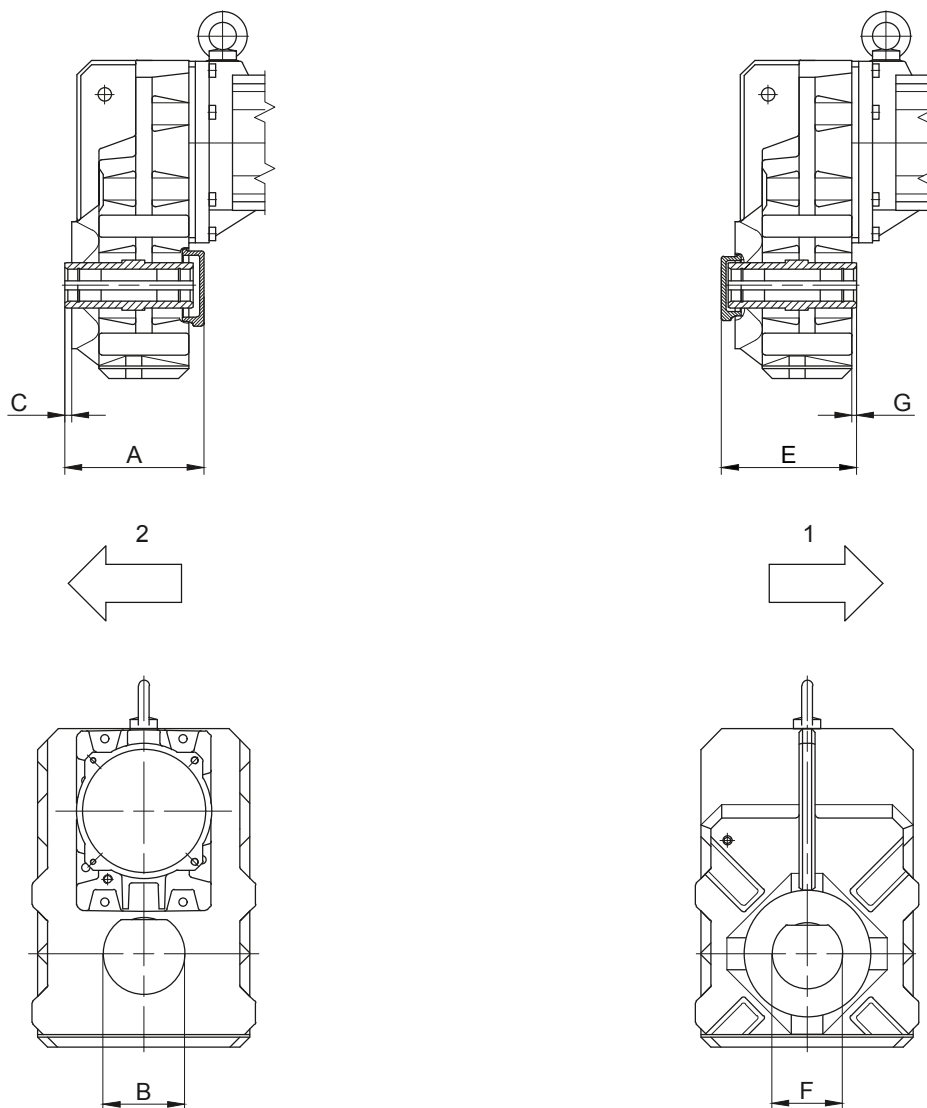
The parts shown are necessary for assembly. ONLY * specified parts are enclosed in the assembly kit.
Suitable measures are to be used to secure Bolt Pos. 8 against loosening!

Optional	Type	Assembly tool „Holding“
	BF06	Id.Nr. 4105125
	BF10	Id.Nr. 4105133
	BF20	Id.Nr. 4105141
	BF30	Id.Nr. 4105150
	BF40	Id.Nr. 4105168
	BF50	Id.Nr. 4105176
	BF60	Id.Nr. 4105184
	BF70	Id.Nr. 4105192
	BF80	Id.Nr. 4105206
	BF90	Id.Nr. 4105214

BF-series shaft-mounted geared motors

Additional Dimension Sheet

Shaft cap (VK)



1 Gear side FRONT (V)

2 Gear side REAR (H)

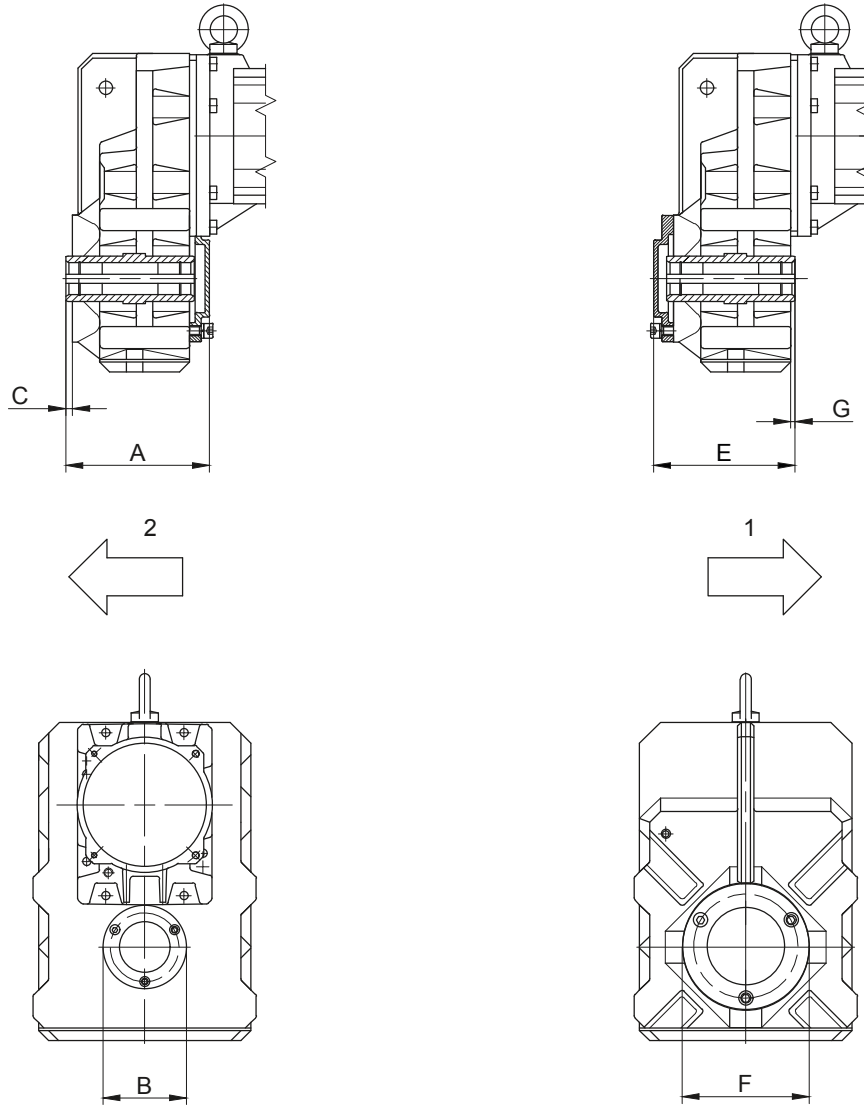
Shaft cap REAR (H)			
Type	A	B	C
BF10	134	78	5
BF20	142	85	5
BF30	153.5	90	7.5
BF40	179.5	110	7
BF50	192	125	6
BF60	222	140	7
BF70	258	170	6
Dimensions in millimetres (mm)			

Shaft cap FRONT (V)			
Type	E	F	G
BF30	149	78	7.5
BF50	189.5	110	6
BF70	262	130	6
Dimensions in millimetres (mm)			

BF-series shaft-mounted geared motors

Additional Dimension Sheet

Shaft cover (VD)



1 Gear side FRONT (V)

2 Gear side REAR (H)

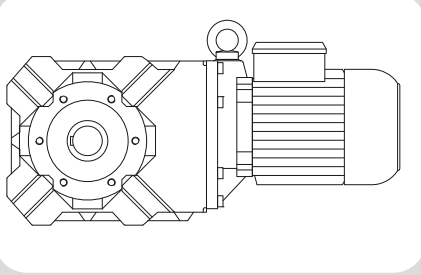
Shaft cover REAR (H)			
Type	A	B	C
BF70	376	300	8
BF90	442	350	8
Dimensions in millimetres (mm)			

Shaft cover FRONT (V)			
Type	E	F	G
BF10	135.5	120	5
BF20	144	139.5	5
BF30	153	139.5	7.5
BF40	179.5	160	7
BF50	191.5	199	6
BF60	221.5	210	7
BF70	258	250	6
BF80	376	300	8
BF90	442	350	8
Dimensions in millimetres (mm)			

The actual gearbox design can vary from the geometry shown. Generate drive specific 3D and 2D geometries under www.BauerCat.com.

Energy Efficient Geared Motors

AC Line Operated / European Union



12

BK-series bevel-gear motors - Dimensions

Dimension - Standard	340
BK06	340
BK08	342
BK10-BK10Z	344
BK17	346
BK20-BK20Z	348
BK30-BK30Z	350
BK40-BK40Z	352
BK50-BK50Z	354
BK60-BK60Z	356
BK70-BK70Z	358
BK80-BK80Z	360
BK90-BK90Z	362
Dimension - Tandem Gearbox	364
BK10G06	364
BK20G06	366
BK30G06	368
BK40G10	370
BK50G10	372
BK60G20	374
BK70G20	376
BK80G40	378
BK90G50	380
Additional Dimension Sheet	383
Splined shaft	383
Shrink disc couplings (SSV)	384
Shrink disc connection with cover (SSV)	385
Rubber buffer for torque arm	386
Position of the torque arm	387
Foot with tapped holes	388
Foot plate with clearance holes	389
Assembly tools for hollow shaft and keyway	390
Assembly tools for splined shaft	392
Shaft cap (VK)	394
Shaft cover (VD)	395

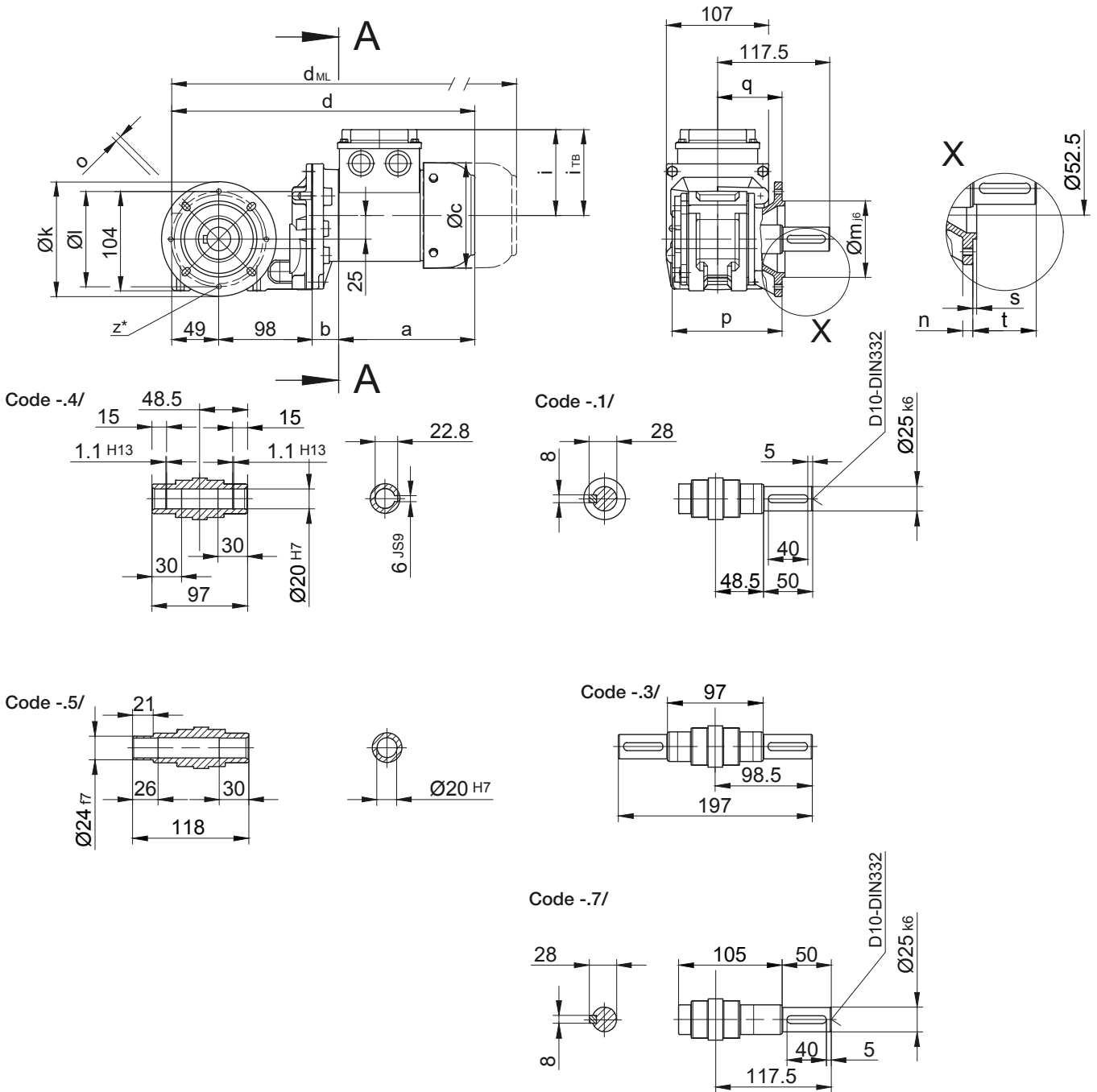
BK-series bevel-geared motors

Dimension - Standard

BK06

Flange with clearance holes at front

Code -3.V/



* optional 4xM6 for code -3.

Flange Dimensions										
Type	Design	k	l	m	n	o	p	q	s	t
BK06	Code -3.V/	120	100	80	8	6.6	115	67.5	3	50

Dimensions in millimetres (mm)

Type	a	b	c	d	i	i _{TB}	Design with motor extensions			
							Brake	Encoder	Brake with Encoder	Back Stop
							d _{ML}	d _{ML}	d _{ML}	d _{ML}
BK06-../D04.A.	142.5	28	110.5	317.5	90	112	361	405	448.5	-
BK06-../D..05.A.	170.5	30	123	347.5	101	117	389.5	450	487.5	-
BK06-../D..06.A.	170.5	30	123	347.5	99	119	389.5	450	487.5	-
BK06-../D..07.A.	190.5	30	123	367.5	99	119	409.5	470	507.5	-
BK06-../D..08.A.	199.5	74	156	420.5	114.5	136.5	486.5	532.5	594	486.5
BK06-../D..08.B.	229.5	74	156	450.5	114.5	136.5	516.5	562.5	623.5	516.5

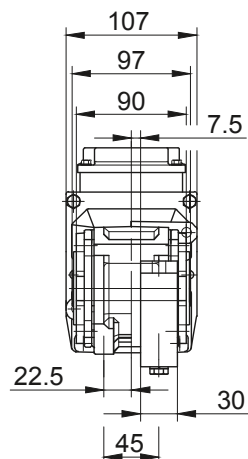
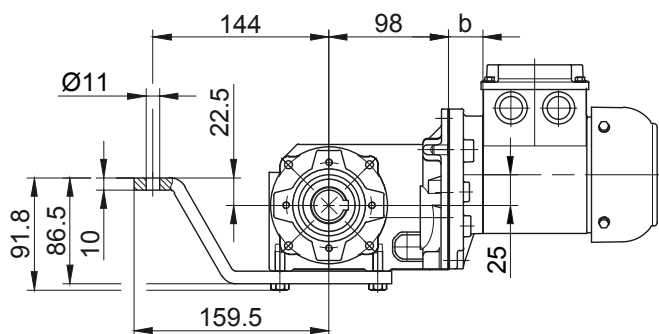
Dimensions in millimetres (mm)

The actual gearbox design can vary from the geometry shown. Generate drive specific 3D and 2D geometries under www.BauerCat.com.

BK06

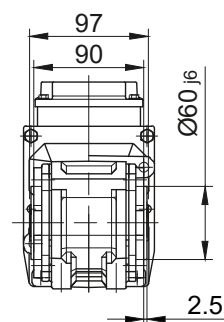
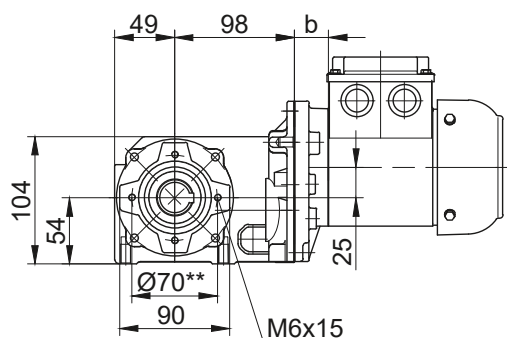
Torque arm at front

Code -5.V/



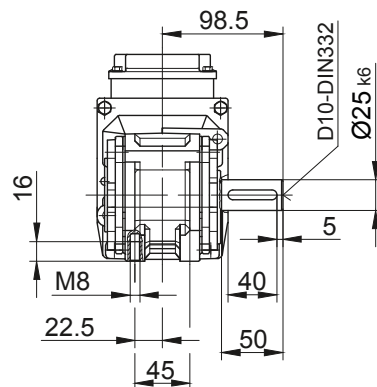
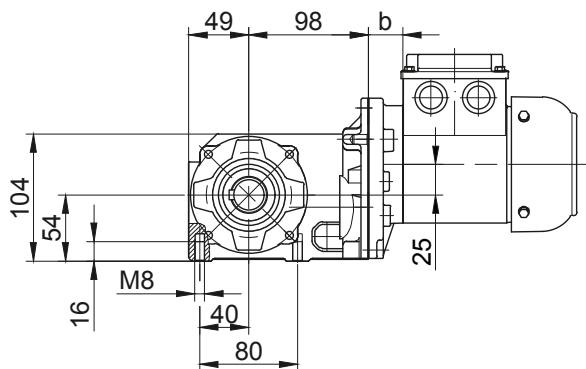
Flange with tapped holes at front

Code -7.V/



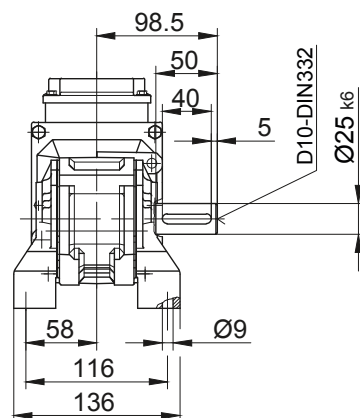
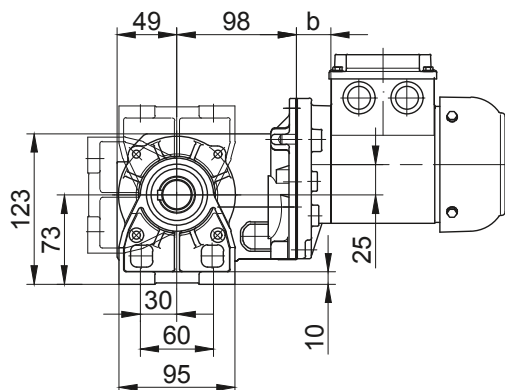
Foot with tapped holes at bottom

Code -6.U/



Foot with clearance holes at bottom

Code -1.U/



** not for D..08.. with PTO shaft (code -.1, -.2, -.3., -.7, -.8, -.9)

The actual gearbox design can vary from the geometry shown. Generate drive specific 3D and 2D geometries under www.BauerCat.com.

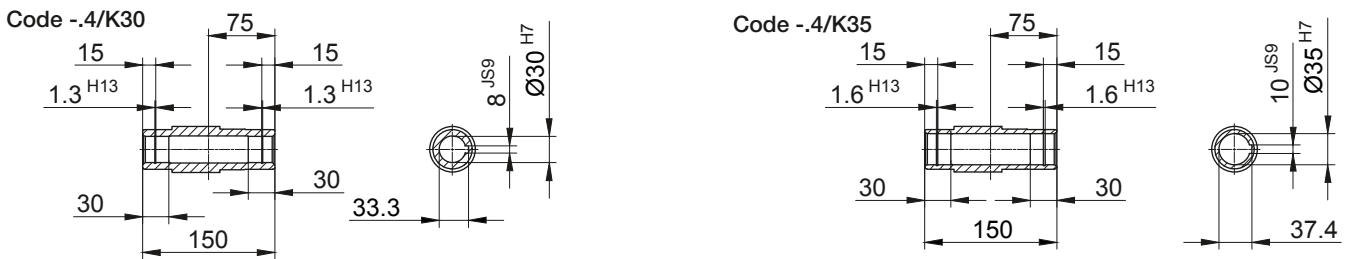
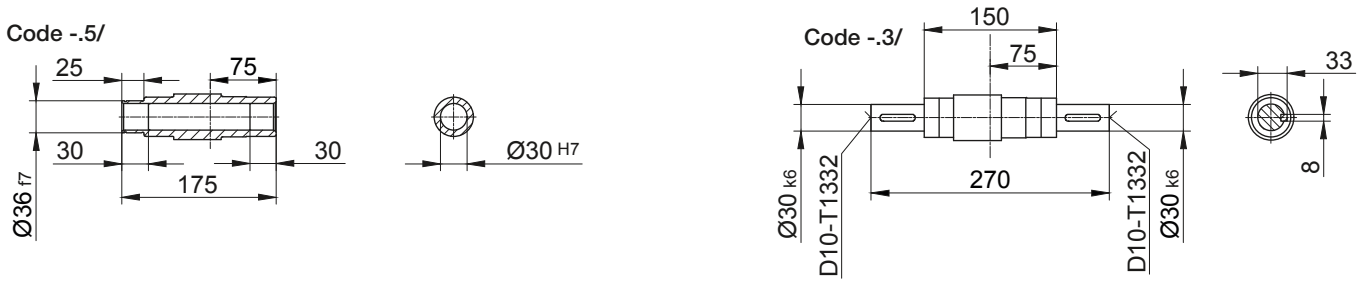
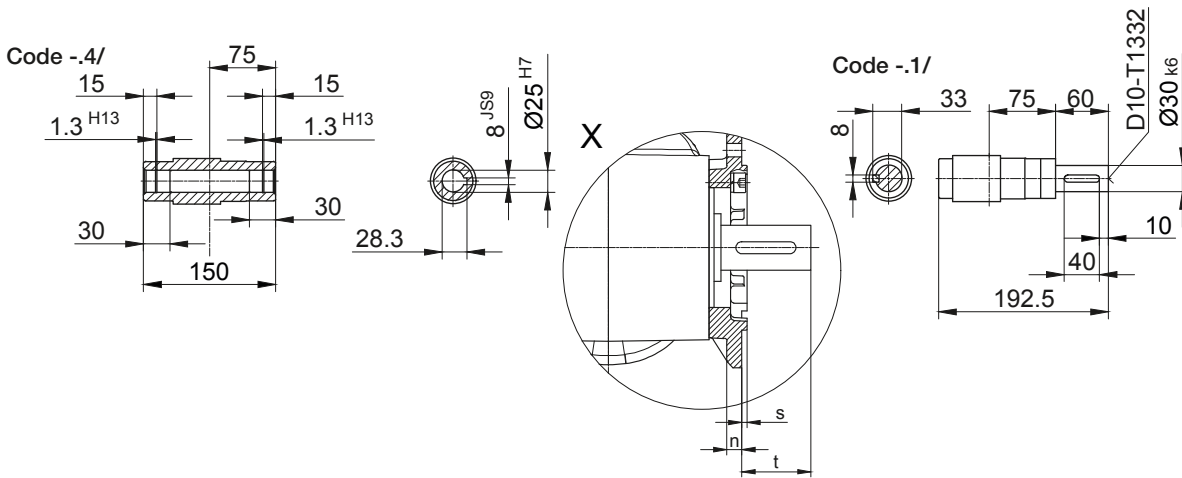
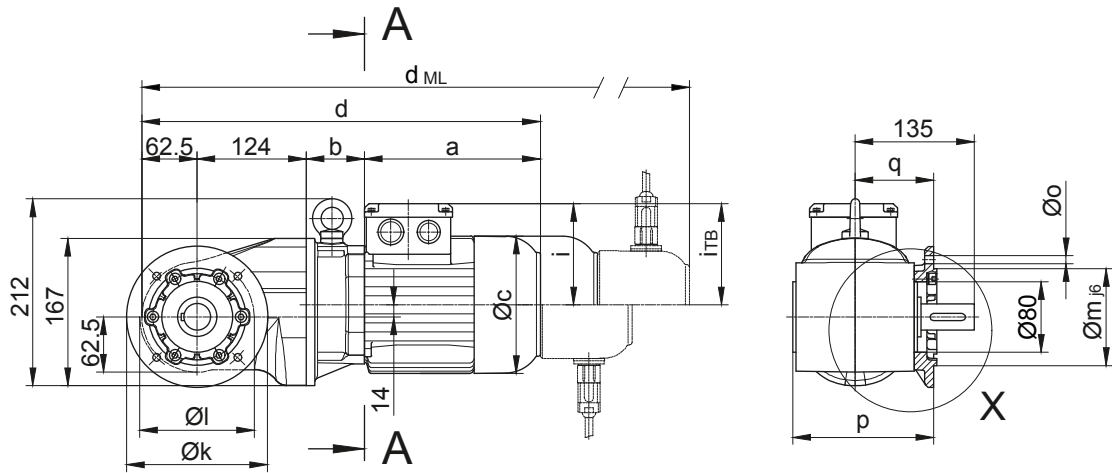
BK-series bevel-geared motors

Dimension - Standard

BK08

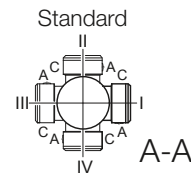
Flange with clearance holes at front

Code -3.V/
(Code -2.V)



Flange Dimensions		k	l	m	n	o	p	q	s	t
Type	Design									
BK08	Code -3.V/	200	165	130	12	11	166.5	96	3.5	39
BK08	Code -2.V/	160	130	110	10	9	159.5	89	3.5	46

Dimensions in millimetres (mm)



Type	a	b	c	d	i	iTB	Design with motor extensions			
							Brake	Encoder	Brake with Encoder	Back Stop
BK08-../D..08.A.	199.5	66	156	452	114.5	136.5	d _{ML}	d _{ML}	d _{ML}	d _{ML}
BK08-../D..08.B.	229.5	66	156	482	114.5	136.5	518	564	625.5	518
							548	594	655	548

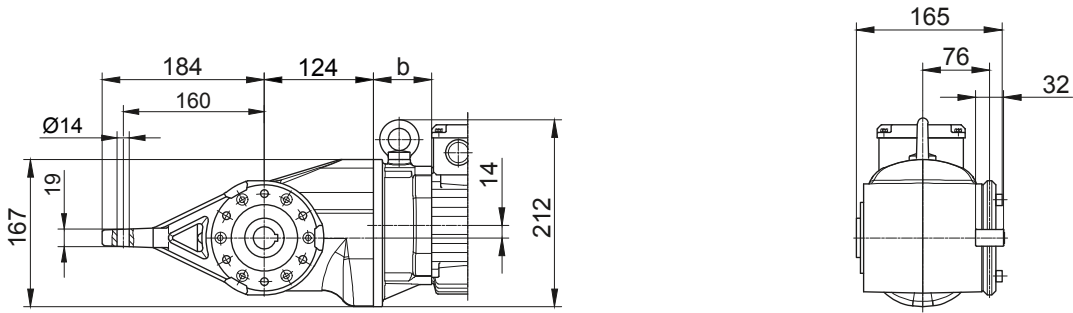
Dimensions in millimetres (mm)

The actual gearbox design can vary from the geometry shown. Generate drive specific 3D and 2D geometries under www.BauerCat.com.

BK08

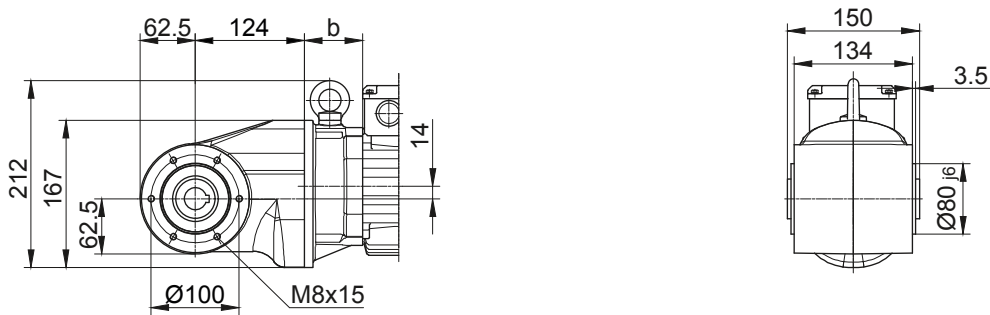
Torque arm at front

Code -5.V/



Flange with tapped holes at front

Code -7.V/



BK-series bevel-geared motors

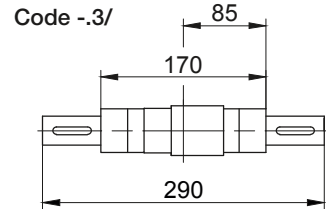
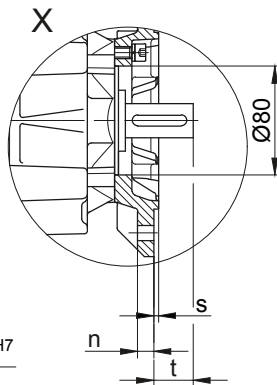
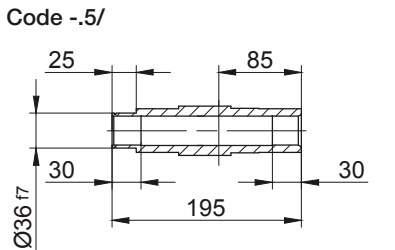
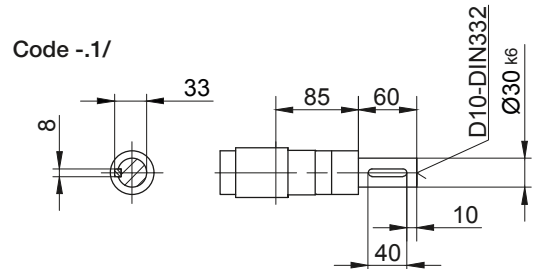
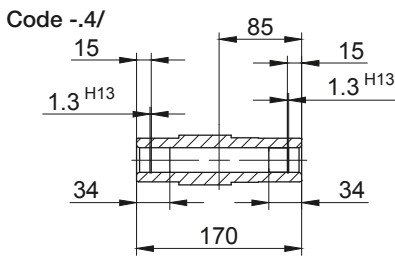
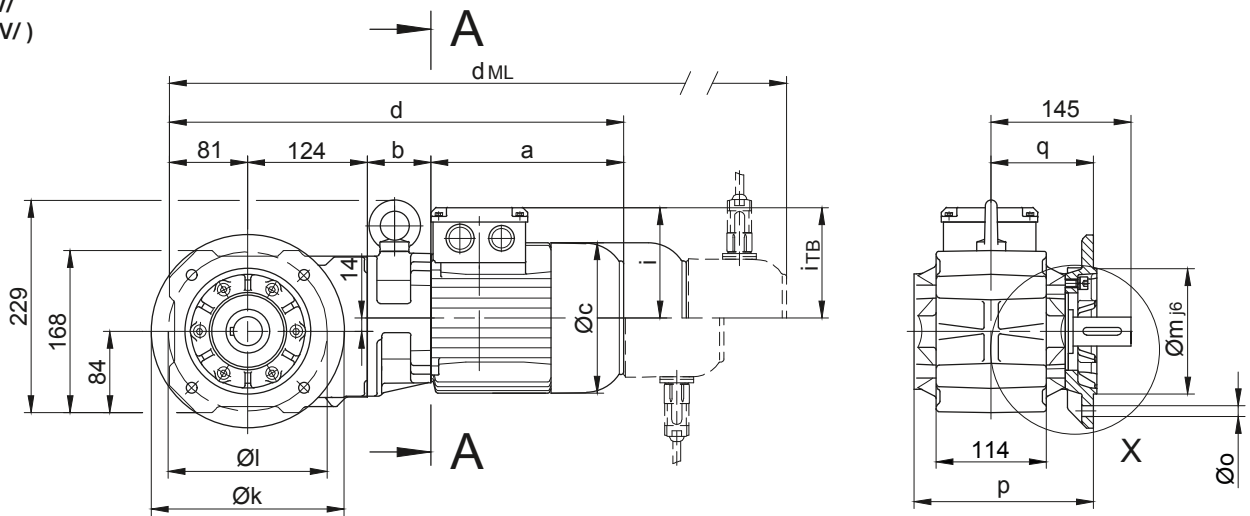
Dimension - Standard

BK10-BK10Z

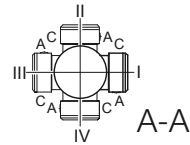
Flange with clearance holes at front

Code -3.V/

(Code -2.V/)



Standard



Flange Dimensions

Type	Design	k	l	m	n	o	p	q	s	t
BK10..	Code -3.V/	200	165	130	12	11	186.5	106	3.5	39
BK10..	Code -2.V/	160	130	110	10	9	179.5	99	3.5	46

Dimensions in millimetres (mm)

Type	a	b	c	d	i	Design with motor extensions				
						i_{TB}	Brake	Encoder	Brake with Encoder	Back Stop
							d_{ML}	d_{ML}	d_{ML}	d_{ML}
BK10Z-../D04.A.	142.5	86	110.5	433.5	90	112	477	521	564.5	-
BK10-../D..05.A.	170.5	62	123	437.5	101	117	479.5	540	577.5	-
BK10Z-../D..05.A.	170.5	88	123	463.5	101	117	505.5	566	603.5	-
BK10-../D..06.A.	170.5	62	123	437.5	99	119	479.5	540	577.5	-
BK10Z-../D..06.A.	170.5	88	123	463.5	99	119	505.5	566	603.5	-
BK10-../D..07.A.	190.5	62	123	457.5	99	119	499.5	560	597.5	-
BK10Z-../D..07.A.	190.5	88	123	483.5	99	119	525.5	586	623.5	-
BK10-../D..08.A.	199.5	66	156	470.5	114.5	136.5	536.5	582.5	644	536.5
BK10Z-../D..08.A.	199.5	132	156	536.5	114.5	136.5	602.5	648.5	710	602.5
BK10-../D..08.B.	229.5	66	156	500.5	114.5	136.5	566.5	612.5	673.5	566.5
BK10Z-../D..08.B.	229.5	132	156	566.5	114.5	136.5	632.5	678.5	739.5	632.5
BK10-../D..09.A.	250.5	80.5	176	536	124	157	629	643.5	733	629
BK10-../D..09.B.	308.5	80.5	176	594	124	157	687	701	791	687

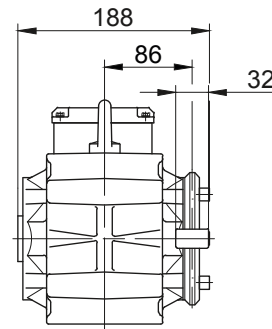
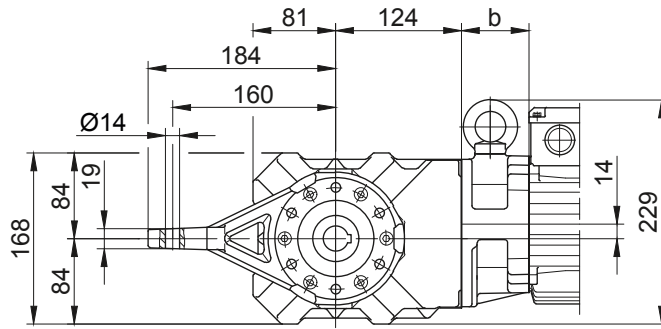
Dimensions in millimetres (mm)

The actual gearbox design can vary from the geometry shown. Generate drive specific 3D and 2D geometries under www.BauerCat.com.

BK10-BK10Z

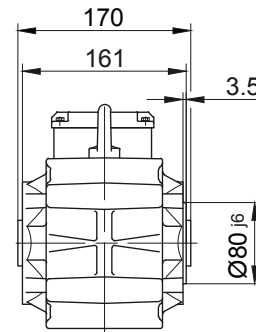
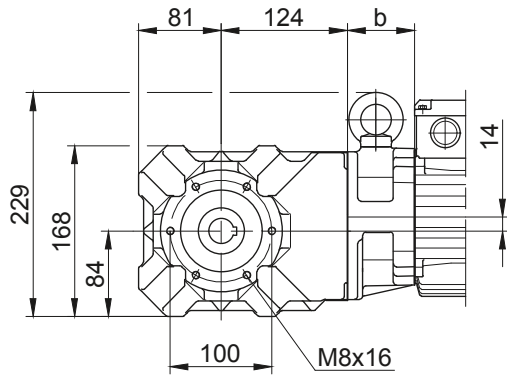
Torque arm at front

Code -5.V/



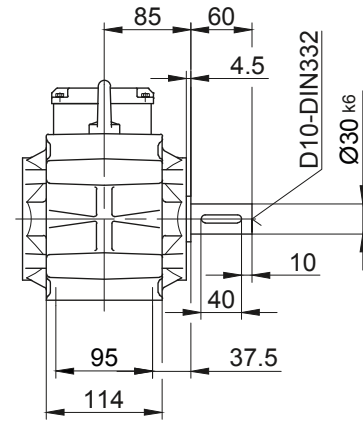
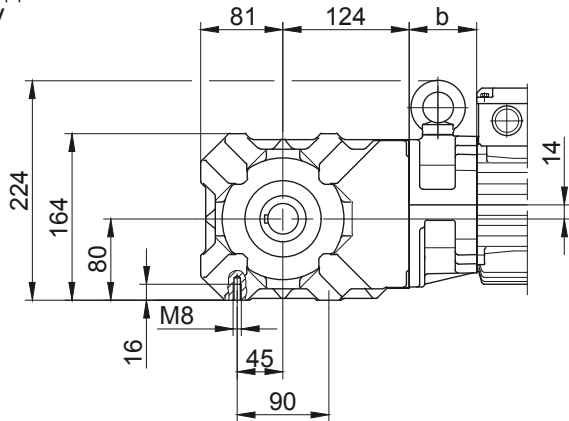
Flange with tapped holes at front

Code -7.V/



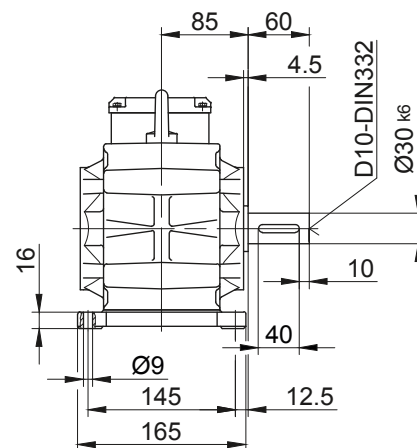
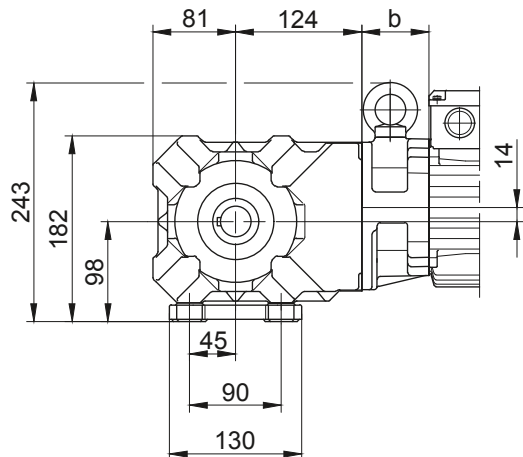
Foot with tapped holes at bottom

Code -6.U/



Foot with clearance holes at bottom

Code -1.U/



The actual gearbox design can vary from the geometry shown. Generate drive specific 3D and 2D geometries under www.BauerCat.com.

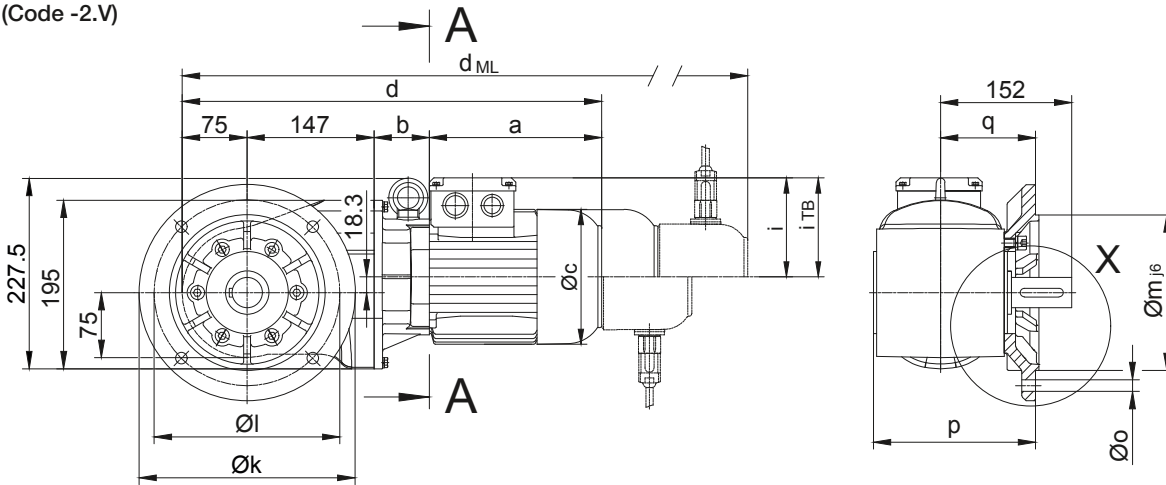
BK-series bevel-geared motors

Dimension - Standard

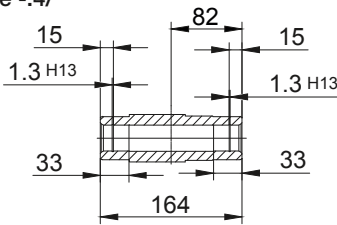
BK17

Flange with clearance holes at front

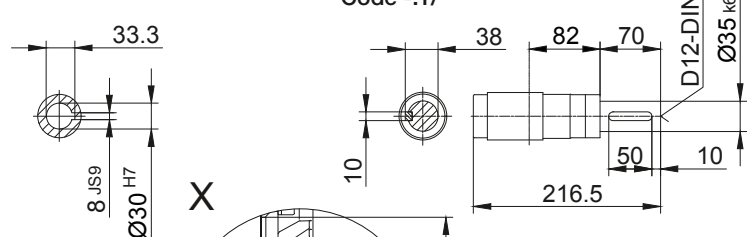
Code -3.V/
(Code -2.V)



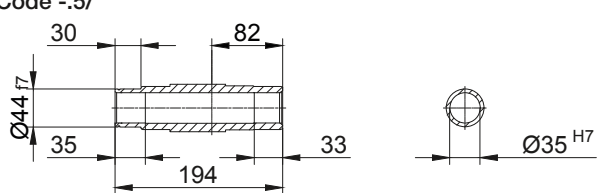
Code -4/



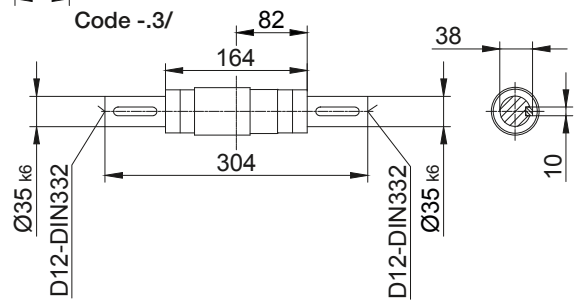
Code -1/



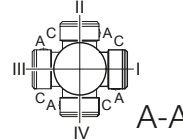
Code -5/



Code -3/



Standard



Flange Dimensions

Type	Design	k	l	m	n	o	p	q	s	t
BK17	Code -3.V/	250	215	180	16	13.5	187.5	110	4	42.5
BK17	Code -2.V/	200	165	130	12	11	178.5	101	3.5	51

Dimensions in millimetres (mm)

Type	a	b	c	d	i	Design with motor extensions				
						i _{TB}	Brake	Encoder	Brake with Encoder	Back Stop
							d _{ML}	d _{ML}	d _{ML}	d _{ML}
BK17-../D..08.A.	199.5	64	156	485.5	114.5	136.5	551.5	597.5	659	568
BK17-../D..08.B.	229.5	64	156	515.5	114.5	136.5	581.5	627.5	688.5	598
BK17-../D..09.A.	250.5	78.5	176	551	124	157	644	658.5	748	629.5
BK17-../D..09.B.	308.5	78.5	176	609	124	157	702	716	806	687.5

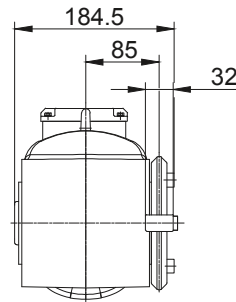
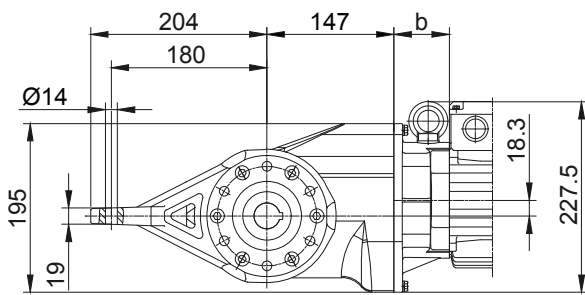
Dimensions in millimetres (mm)

The actual gearbox design can vary from the geometry shown. Generate drive specific 3D and 2D geometries under www.BauerCat.com.

BK17

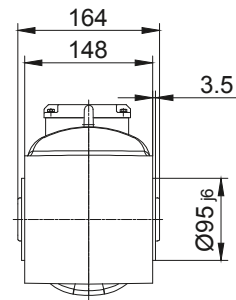
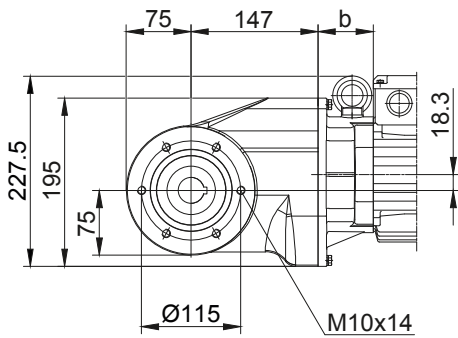
Torque arm at front

Code -5.V/

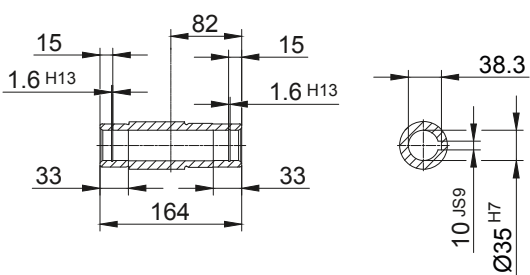


Flange with tapped holes at front

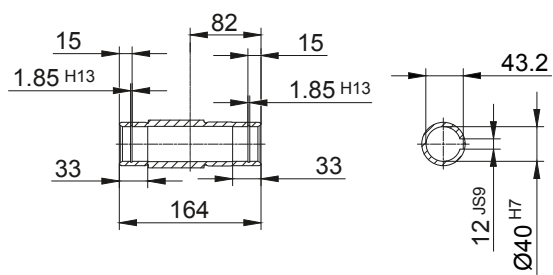
Code -7.V/



Code -.4/K35



Code -.4/K40



BK-series bevel-geared motors

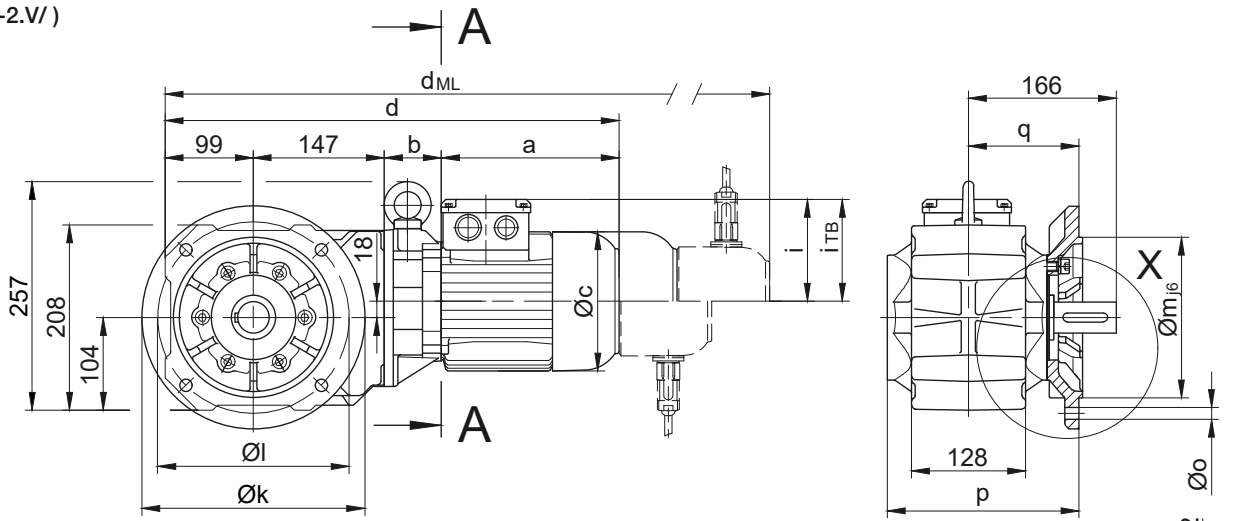
Dimension - Standard

BK20-BK20Z

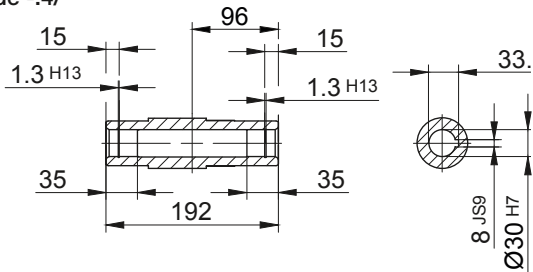
Flange with clearance holes at front

Code -3.V/
Code -2.V/

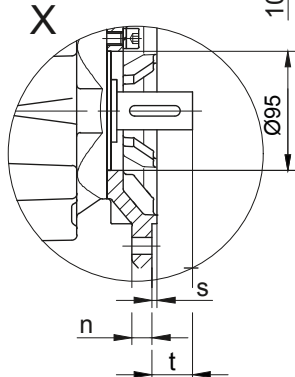
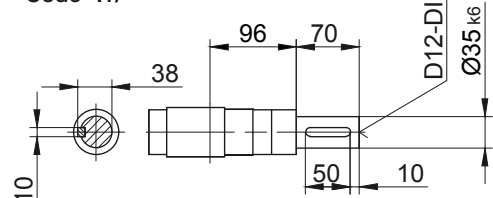
(Code -2.V/)



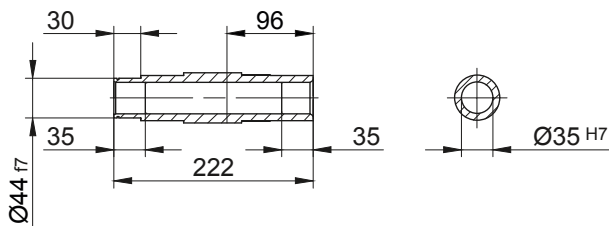
Code -.4/



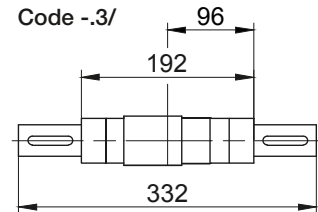
Code -.1/



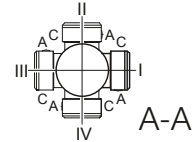
Code -.5/



Code -.3/



Standard



Type	Design	k	l	m	n	o	p	q	s	t
BK20..	Code -3.V/	250	215	180	16	13.5	215.5	124	4	42.5
BK20..	Code -2.V/	200	165	130	12	11	206.5	115	3.5	51

Dimensions in millimetres (mm)

Type	a	b	c	d	i	Design with motor extensions				
						i _{TB}	Brake	Encoder	Brake with Encoder	Back Stop
							d _{ML}	d _{ML}	d _{ML}	d _{ML}
BK20Z-../D04.A.	142.5	100	110.5	488.5	90	112	532	576	619.5	-
BK20-../D..05.A.	170.5	60	123	476.5	101	117	518.5	579	616.5	-
BK20Z-../D..05.A.	170.5	102	123	518.5	101	117	560.5	621	658.5	-
BK20-../D..06.A.	170.5	60	123	476.5	99	119	518.5	579	616.5	-
BK20Z-../D..06.A.	170.5	102	123	518.5	99	119	560.5	621	658.5	-
BK20-../D..07.A.	190.5	60	123	496.5	99	119	538.5	599	636.5	-
BK20Z-../D..07.A.	190.5	102	123	538.5	99	119	580.5	641	678.5	-
BK20-../D..08.A.	199.5	64	156	509.5	114.5	136.5	575.5	621.5	683	575.5
BK20Z-../D..08.A.	199.5	146	156	591.5	114.5	136.5	657.5	703.5	765	657.5
BK20-../D..08.B.	229.5	64	156	539.5	114.5	136.5	605.5	651.5	712.5	605.5
BK20Z-../D..08.B.	229.5	146	156	621.5	114.5	136.5	687.5	733.5	794.5	687.5
BK20-../D..09.A.	250.5	78.5	176	575	124	157	741.5	682.5	772	668
BK20-../D..09.B.	308.5	78.5	176	633	124	157	620	740	830	726

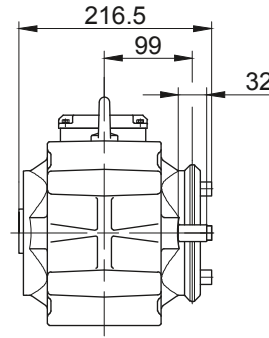
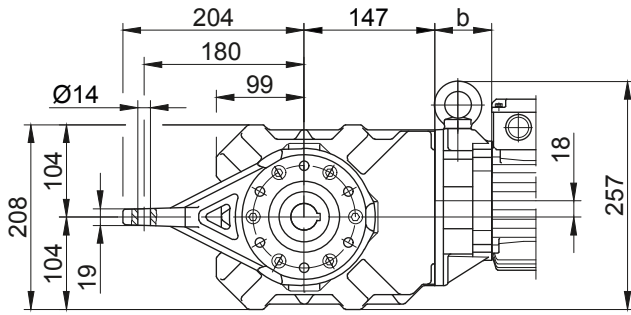
Dimensions in millimetres (mm)

The actual gearbox design can vary from the geometry shown. Generate drive specific 3D and 2D geometries under www.BauerCat.com.

BK20-BK20Z

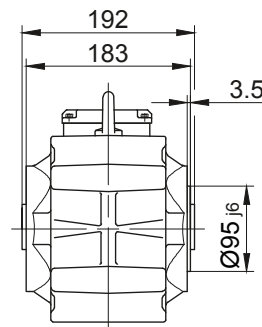
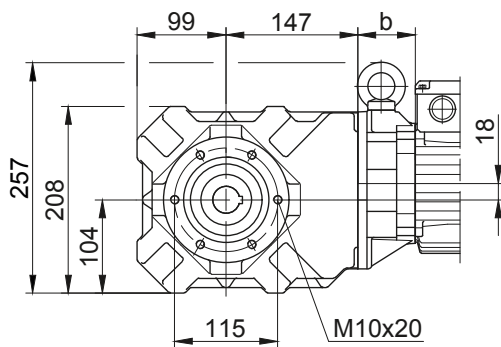
Torque arm at front

Code -5.V/



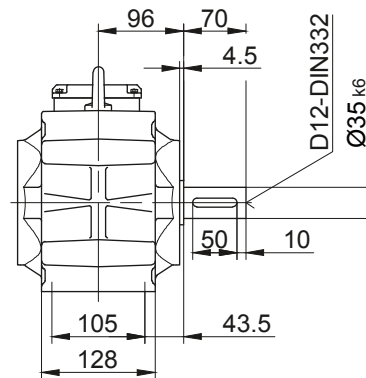
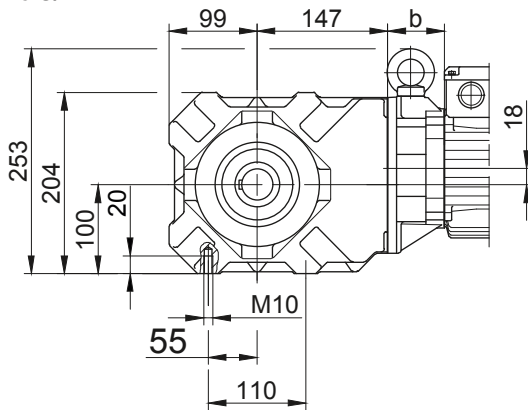
Flange with tapped holes at front

Code -7.V/



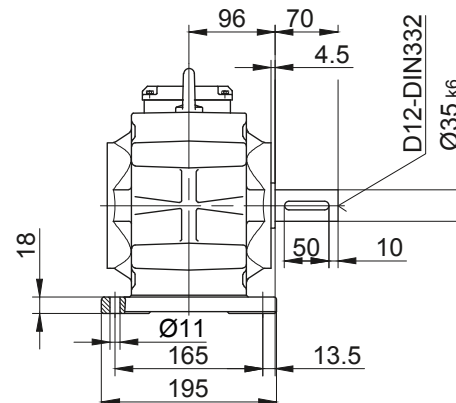
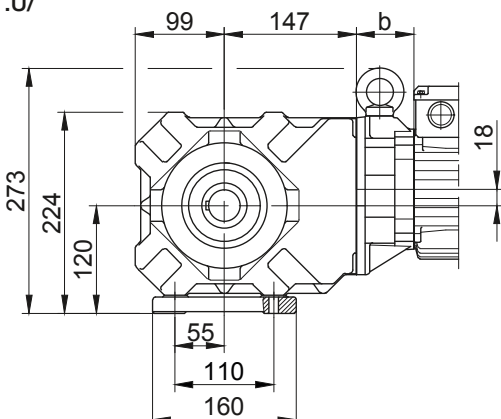
Foot with tapped holes at bottom

Code -6.U/



Foot with clearance holes at bottom

Code -1.U/



The actual gearbox design can vary from the geometry shown. Generate drive specific 3D and 2D geometries under www.BauerCat.com.

BK-series bevel-geared motors

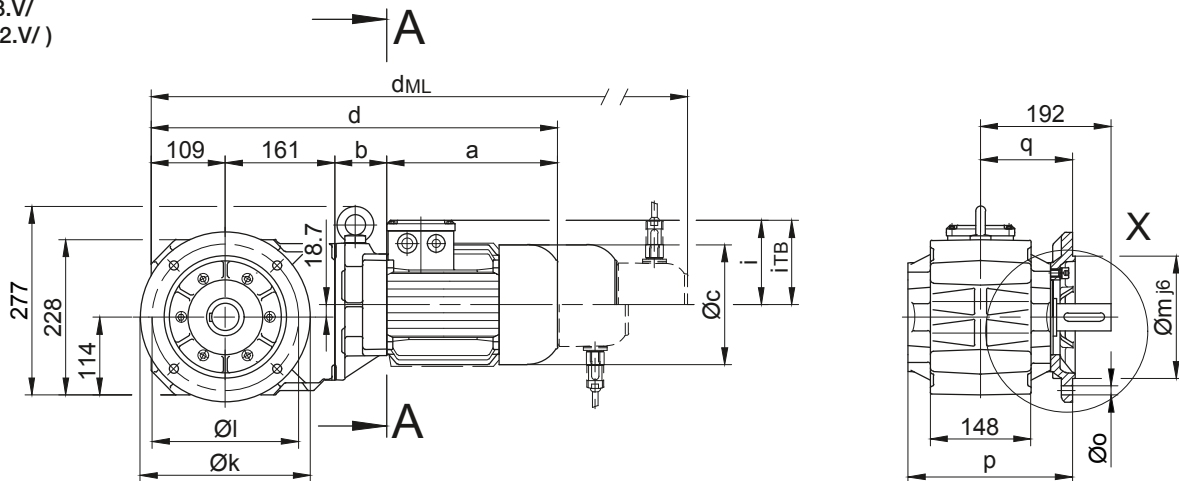
Dimension - Standard

BK30-BK30Z

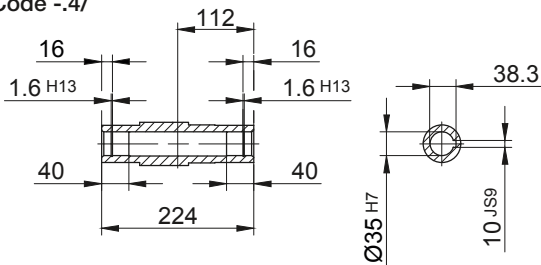
Flange with clearance holes at front

Code -3.V/

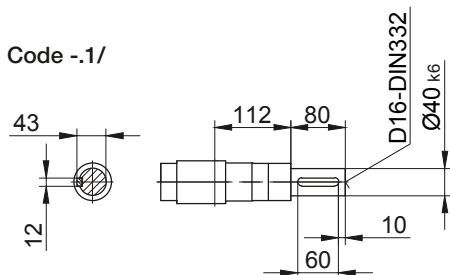
(Code -2.V/)



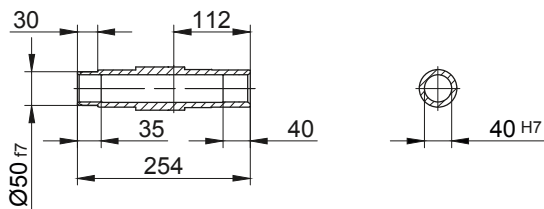
Code -4/



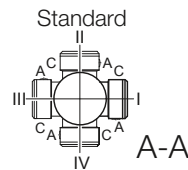
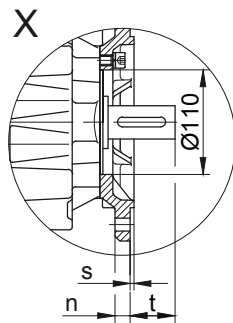
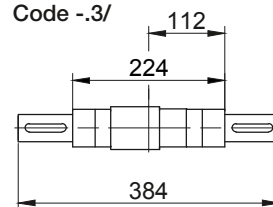
Code -1/



Code -5/



Code -3/



Flange Dimensions		k	l	m	n	o	p	q	s	t
BK30..	Code -3.V/	250	215	180	16	13.5	242	135	4	57
BK30..	Code -2.V/	200	165	130	12	11	239	132	3.5	59.5

Dimensions in millimetres (mm)

Type	a	b	c	d	i	i _{TB}	Design with motor extensions			
							Brake	Encoder	Brake with Encoder	Back Stop
							d _{ML}	d _{ML}	d _{ML}	d _{ML}
BK30-../D..05.A.	170.5	58	123	498.5	101	117	540.5	601	638.5	-
BK30Z-../D..05.A.	170.5	133.5	123	574	101	117	616	676.5	714	-
BK30-../D..06.A.	170.5	58	123	498.5	99	119	540.5	601	638.5	-
BK30Z-../D..06.A.	170.5	133.5	123	574	99	119	616	676.5	714	-
BK30-../D..07.A.	190.5	58	123	518.5	99	119	560.5	621	658.5	-
BK30Z-../D..07.A.	190.5	133.5	123	594	99	119	636	696.5	734	-
BK30-../D..08.A.	199.5	62	156	531.5	114.5	136.5	597.5	643.5	705	597.5
BK30Z-../D..08.A.	199.5	137.5	156	607	114.5	136.5	673	719	780.5	673
BK30-../D..08.B.	229.5	62	156	561.5	114.5	136.5	627.5	673.5	734.5	627.5
BK30Z-../D..08.B.	229.5	137.5	156	637	114.5	136.5	703	749	810	703
BK30-../D..09.A.	250.5	76.5	176	597	124	157	690	704.5	794	690
BK30Z-../D..09.A.	250.5	152	176	672.5	124	157	765.5	780	869.5	765.5
BK30-../D..09.B.	308.5	76.5	176	655	124	157	748	762	852	748
BK30Z-../D..09.B.	308.5	152	176	730.5	124	157	823.5	837.5	927.5	823.5
BK30-../D..11.A.	319	83	218	672	165	176	770	779.5	872	770
BK30-../D..11.B.	387	83	218	740	165	176	836	847.5	940	836

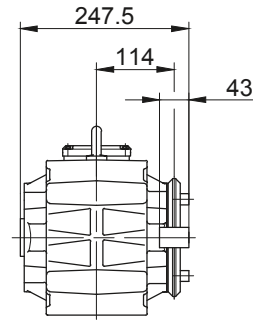
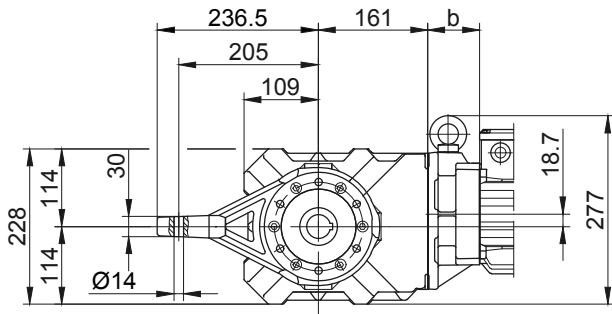
Dimensions in millimetres (mm)

The actual gearbox design can vary from the geometry shown. Generate drive specific 3D and 2D geometries under www.BauerCat.com.

BK30-BK30Z

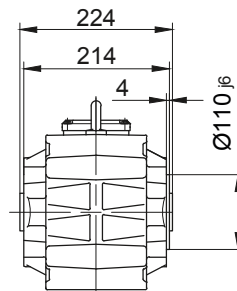
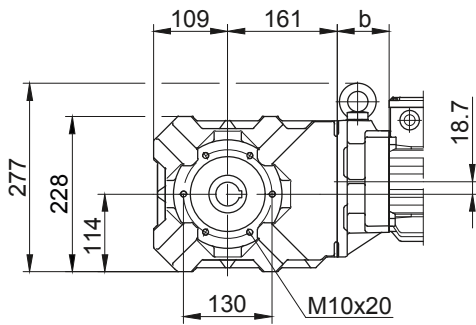
Torque arm at front

Code -5.V/



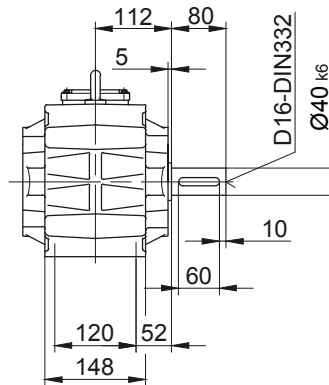
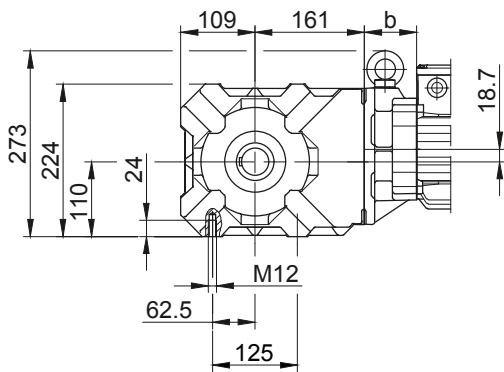
Flange with tapped holes at front

Code -7.V/



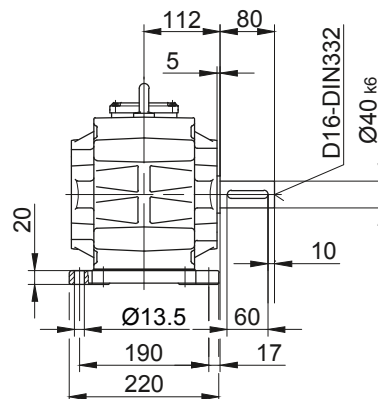
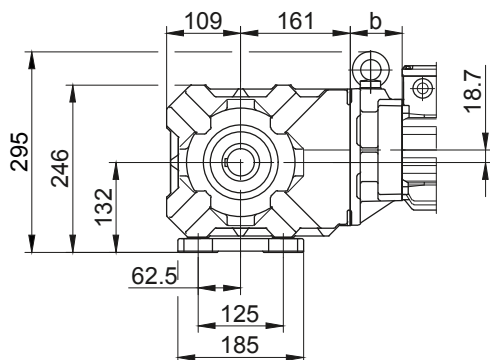
Foot with tapped holes at bottom

Code -6.U/



Foot with clearance holes at bottom

Code -1.U/



BK-series bevel-geared motors

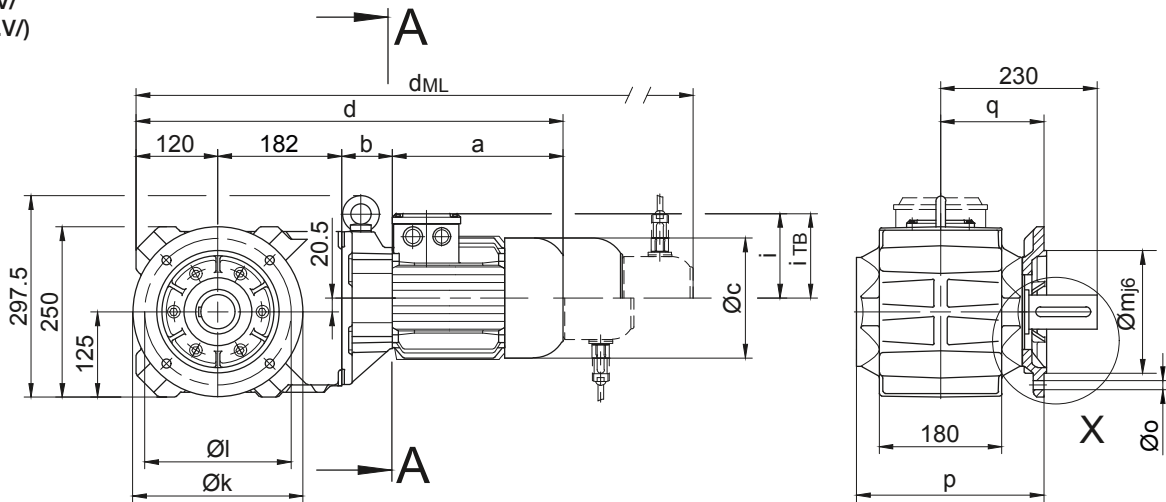
Dimension - Standard

BK40-BK40Z

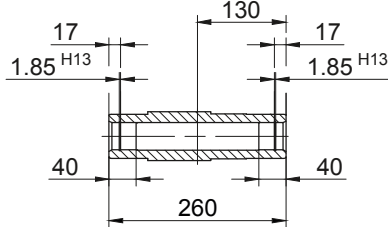
Flange with clearance holes at front

Code -3.V/

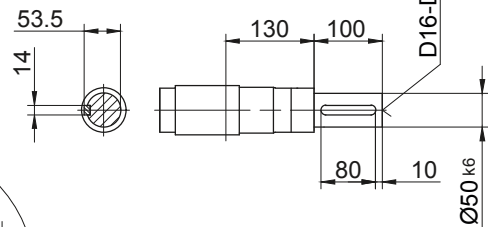
(Code -4.V)



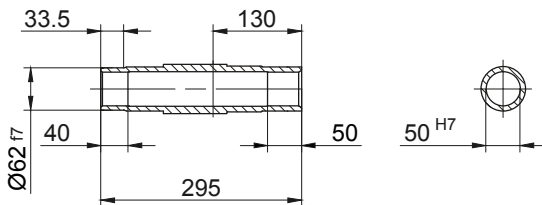
Code -4/



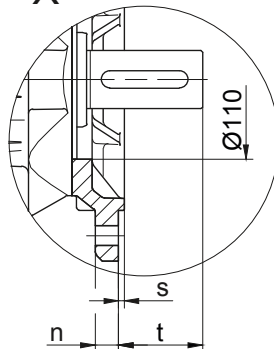
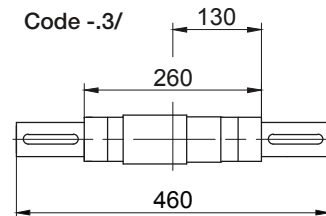
Code -1/



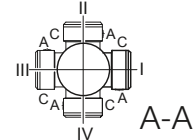
Code -5/



Code -3/



Standard



Flange Dimensions

Type	Design	k	l	m	n	o	p	q	s	t
BK40..	Code -3.V/	250	215	180	16	13.5	276	152	4	78
BK40..	Code -4.V/	300	265	230	20	13.5	282	158	4	72

Dimensions in millimetres (mm)

Type	a	b	c	d	i	Design with motor extensions				
						i _{TB}	Brake	Encoder	Brake with Encoder	Back Stop
							d _{ML}	d _{ML}	d _{ML}	d _{ML}
BK40Z-../D..05.A.	170.5	138.5	123	611	101	117	653	713.5	751	-
BK40Z-../D..06.A.	170.5	138.5	123	611	99	119	653	713.5	751	-
BK40Z-../D..07.A.	190.5	138.5	123	631	99	119	673	733.5	771	-
BK40-../D..08.A.	199.5	60	156	561.5	114.5	136.5	627.5	673.5	735	627.5
BK40Z-../D..08.A.	199.5	142.5	156	644	114.5	136.5	710	756	817.5	710
BK40-../D..08.B.	229.5	60	156	591.5	114.5	136.5	657.5	703.5	764.5	657.5
BK40Z-../D..08.B.	229.5	142.5	156	674	114.5	136.5	740	786	847	740
BK40-../D..09.A.	250.5	74.5	176	627	124	157	720	734.5	824	720
BK40Z-../D..09.A.	250.5	157	176	709.5	124	157	802.5	817	906.5	802.5
BK40-../D..09.B.	308.5	74.5	176	685	124	157	778	792	882	778
BK40Z-../D..09.B.	308.5	157	176	767.5	124	157	860.5	874.5	964.5	860.5
BK40-../D..11.A.	319	81	218	702	165	176	800	809.5	902	800
BK40-../D..11.B.	387	81	218	770	165	176	866	877.5	970	866

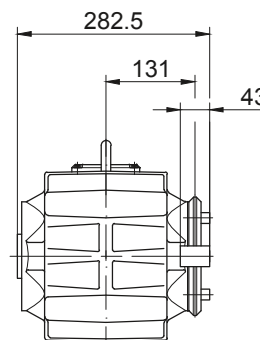
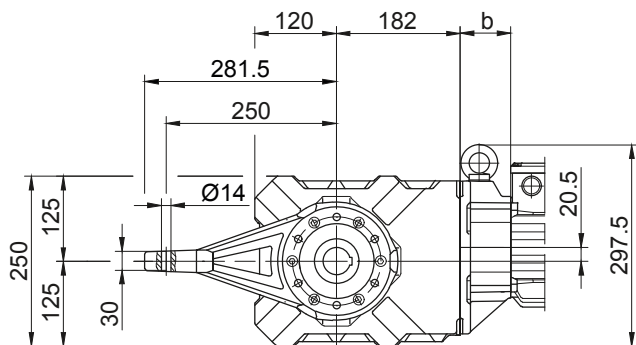
Dimensions in millimetres (mm)

The actual gearbox design can vary from the geometry shown. Generate drive specific 3D and 2D geometries under www.BauerCat.com.

BK40-BK40Z

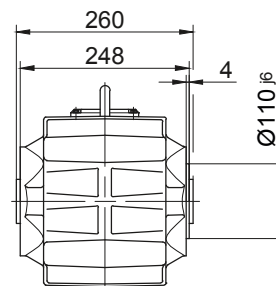
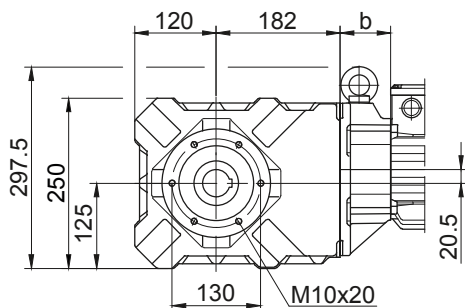
Torque arm at front

Code -5.V/



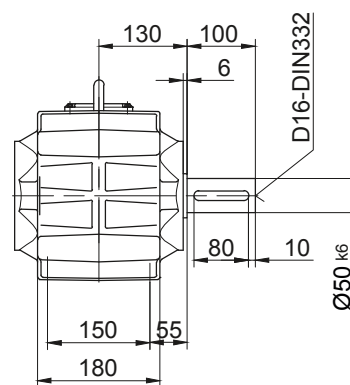
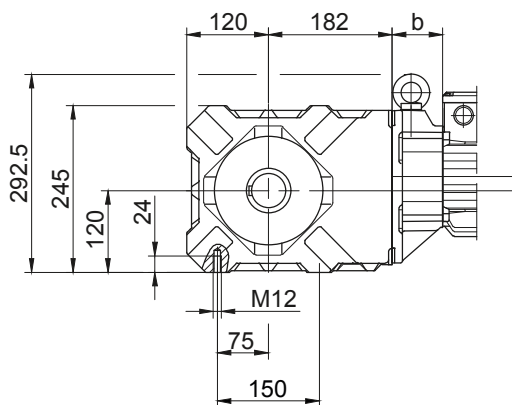
Flange with tapped holes at front

Code -7.V/



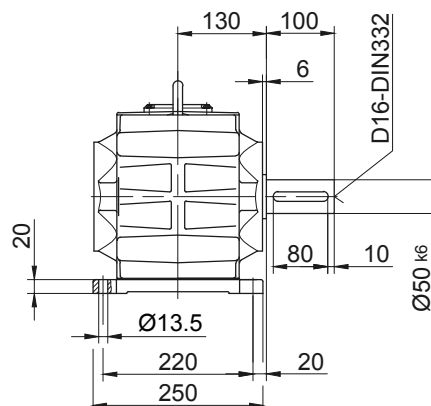
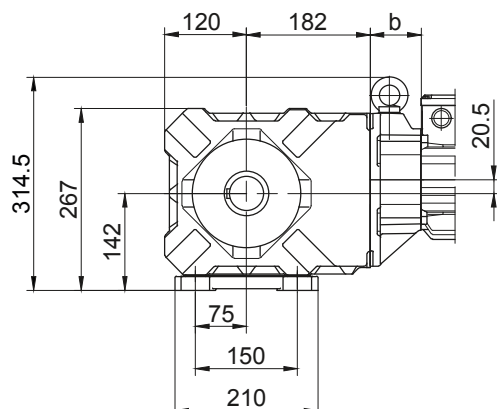
Foot with tapped holes at bottom

Code -6.U/



Foot with clearance holes at bottom

Code -1.U/



The actual gearbox design can vary from the geometry shown. Generate drive specific 3D and 2D geometries under www.BauerCat.com.

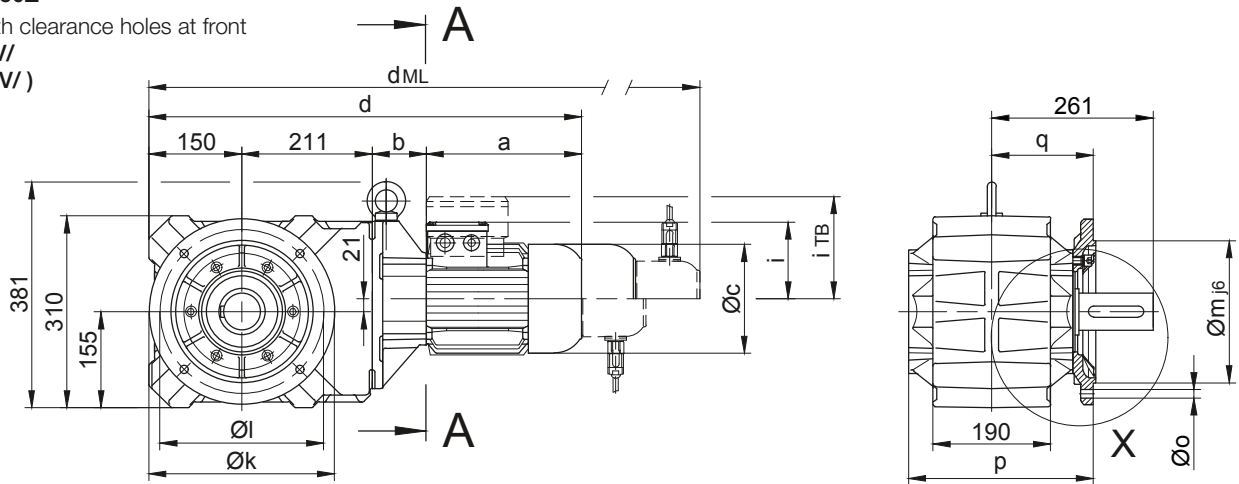
BK-series bevel-geared motors

Dimension - Standard

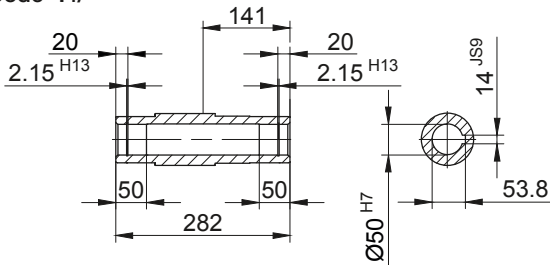
BK50-BK50Z

Flange with clearance holes at front

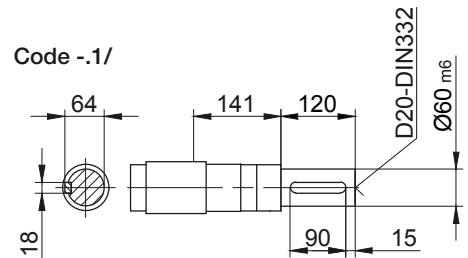
Code -3.V/
(Code -2.V/)



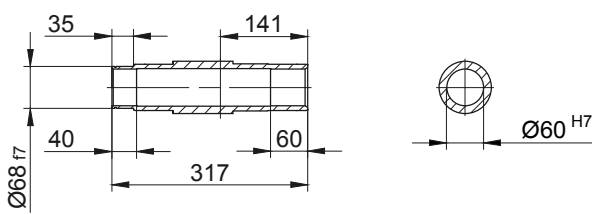
Code -4/



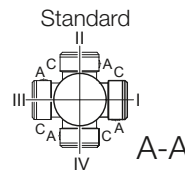
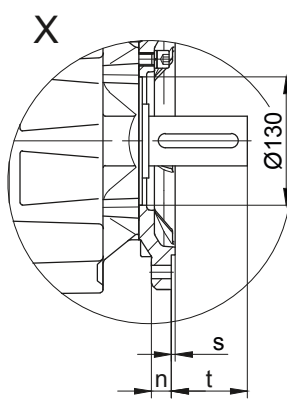
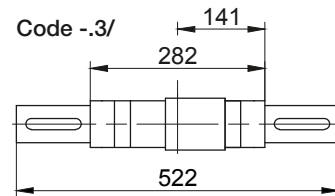
Code -1/



Code -5/



Code -3/



Flange Dimensions

Type	Design	k	l	m	n	o	p	q	s	t
BK50..	Code -3.V/	300	265	230	20	13.5	299	164	4	97
BK50..	Code -2.V/	250	215	180	16	13.5	296	161	4	100

Dimensions in millimetres (mm)

Type	a	b	c	d	i	Design with motor extensions				
						i _{TB}	Brake	Encoder	Brake with Encoder	Back Stop
							d _{ML}	d _{ML}	d _{ML}	d _{ML}
BK50Z-../D..05.A.	170.5	155	123	686.5	101	117	728.5	789	826.5	-
BK50Z-../D..06.A.	170.5	155	123	686.5	99	119	728.5	789	826.5	-
BK50Z-../D..07.A.	190.5	155	123	706.5	99	119	748.5	809	846.5	-
BK50-../D..08.A.	199.5	73	156	633.5	114.5	136.5	699.5	745.5	807	699.5
BK50Z-../D..08.A.	199.5	159	156	719.5	114.5	136.5	785.5	831.5	893	785.5
BK50-../D..08.B.	229.5	73	156	663.5	114.5	136.5	729.5	775.5	836.5	729.5
BK50Z-../D..08.B.	229.5	159	156	749.5	114.5	136.5	815.5	861.5	922.5	815.5
BK50-../D..09.A.	250.5	87.5	176	699	124	157	792	806.5	896	792
BK50Z-../D..09.A.	250.5	173.5	176	785	124	157	878	892.5	982	878
BK50-../D..09.B.	308.5	87.5	176	757	124	157	850	864	954	850
BK50Z-../D..09.B.	308.5	173.5	176	843	124	157	936	950	1040	936
BK50-../D..11.A.	319	94	218	774	165	176	872	881.5	974	872
BK50-../D..11.B.	387	94	218	842	165	176	938	949.5	1042	938
BK50-../D..13.A.	393	107	258	861	217	217	972	968	1073	969
BK50-../D..16.B.	454.5	121	310	936.5	243	243	1080	1043.5	1183.5	1080
BK50-../D..18.B.	542	143	348	1046	288	288	1195.5	1151.5	1299	1195.5

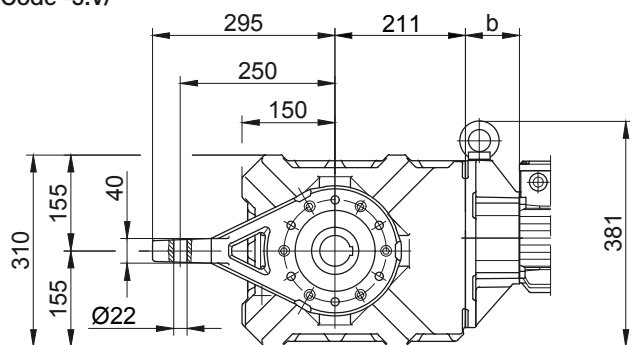
Dimensions in millimetres (mm)

The actual gearbox design can vary from the geometry shown. Generate drive specific 3D and 2D geometries under www.BauerCat.com.

BK50-BK50Z

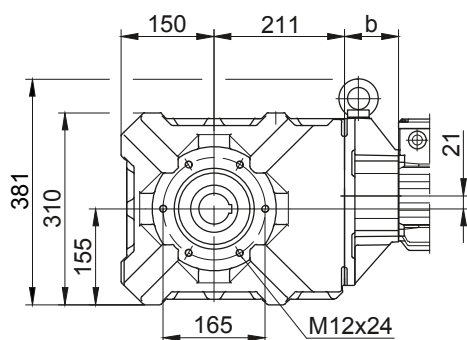
Torque arm at front

Code -5.V/



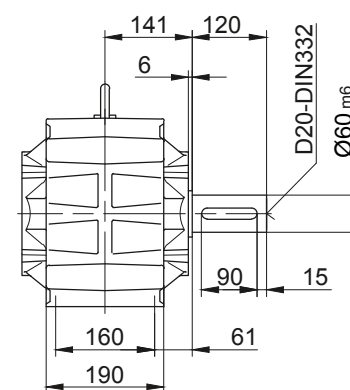
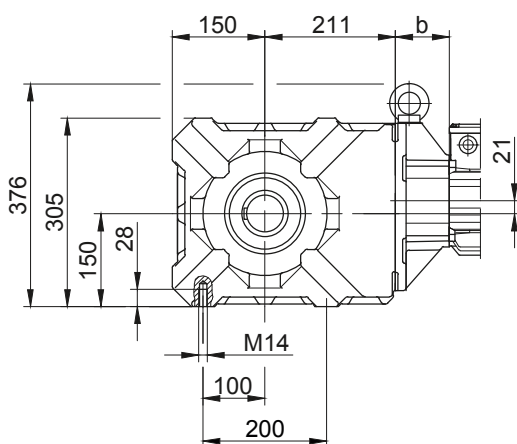
Flange with tapped holes at front

Code -7.V/



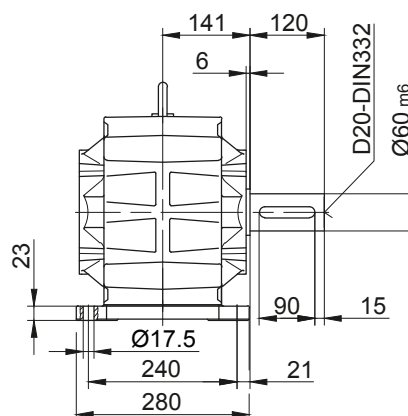
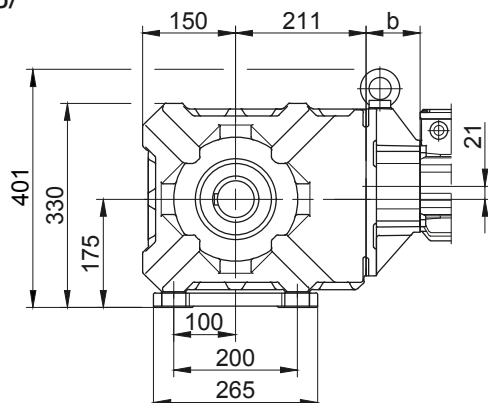
Foot with tapped holes at bottom

Code -6.U/



Foot with clearance holes at bottom

Code -1.U/



The actual gearbox design can vary from the geometry shown. Generate drive specific 3D and 2D geometries under www.BauerCat.com.

BK-series bevel-geared motors

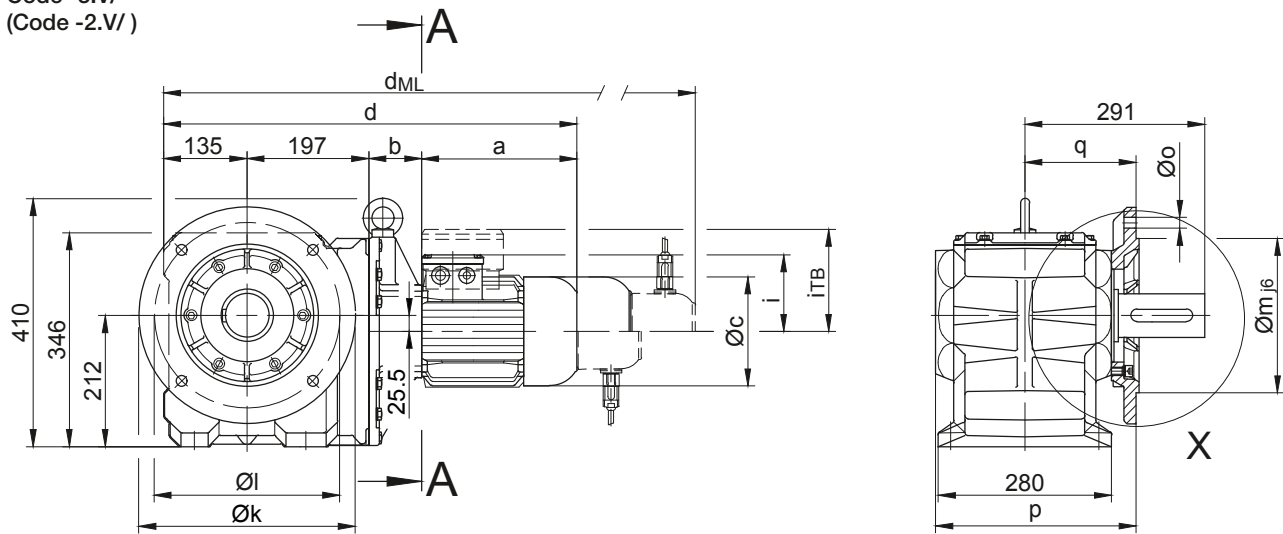
Dimension - Standard

BK60-BK60Z

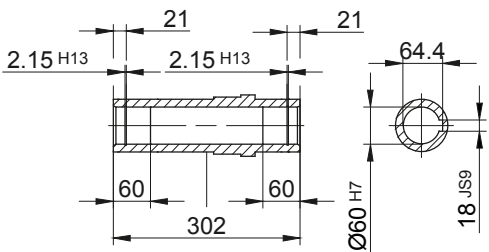
Flange with clearance holes at front

Code -3.V/

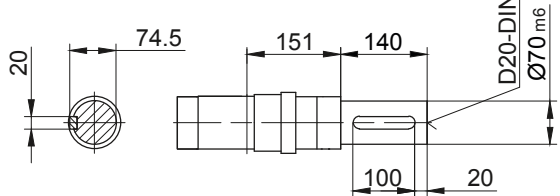
(Code -2.V/)



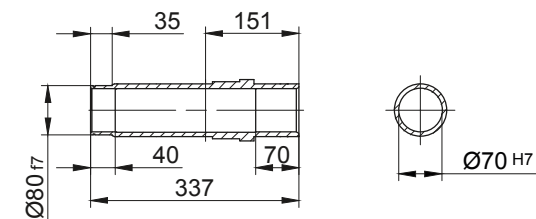
Code -.4/



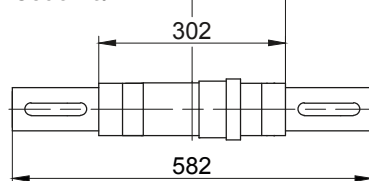
Code -.1/



Code -.5/



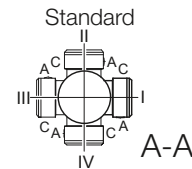
Code -.3/



Flange Dimensions

Type	Design	k	l	m	n	o	p	q	s	t
BK60..	Code -3.V/	350	300	250	20	17.5	324	180	5	112
BK60..	Code -2.V/	300	265	230	20	13.5	332	188	4	103

Dimensions in millimetres (mm)



Type	a	b	c	d	i	i _{TB}	Design with motor extensions			
							Brake	Encoder	Brake with Encoder	Back Stop
							d _{ML}	d _{ML}	d _{ML}	d _{ML}
BK60Z-../D..08.A.	199.5	181	156	712.5	114.5	136.5	778.5	824.5	886	778.5
BK60Z-../D..08.B.	229.5	181	156	742.5	114.5	136.5	808.5	854.5	915.5	808.5
BK60-../D..09.A.	250.5	85.5	176	668	124	157	761	775.5	865	761
BK60Z-../D..09.A.	250.5	195.5	176	778	124	157	871	885.5	975	871
BK60-../D..09.B.	308.5	85.5	176	726	124	157	819	833	923	819
BK60Z-../D..09.B.	308.5	195.5	176	836	124	157	929	943	1033	929
BK60-../D..11.A.	319	92	218	743	165	176	841	850.5	943	841
BK60Z-../D..11.A.	319	202	218	853	165	176	951	960.5	1053	951
BK60-../D..11.B.	387	92	218	811	165	176	907	918.5	1011	907
BK60Z-../D..11.B.	387	202	218	921	165	176	1017	1028.5	1121	1017
BK60-../D..13.A.	393	105	258	830	217	217	941	937	1042	938
BK60-../D..16.B.	454.5	119	310	905.5	243	243	1049	1012.5	1152.5	1049
BK60-../D..18.B.	542	141	348	1015	288	288	1164.5	1120.5	1268	1164.5

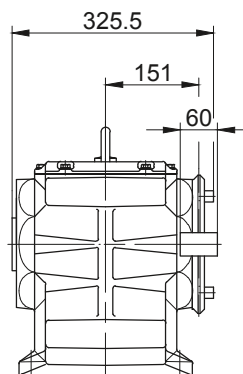
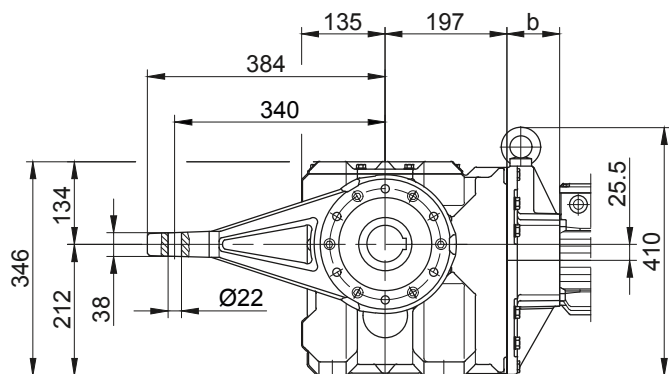
Dimensions in millimetres (mm)

The actual gearbox design can vary from the geometry shown. Generate drive specific 3D and 2D geometries under www.BauerCat.com.

BK60-BK60Z

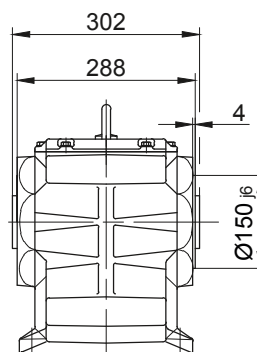
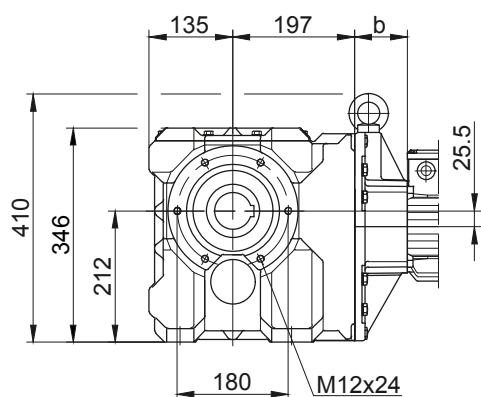
Torque arm at front

Code -5.V/



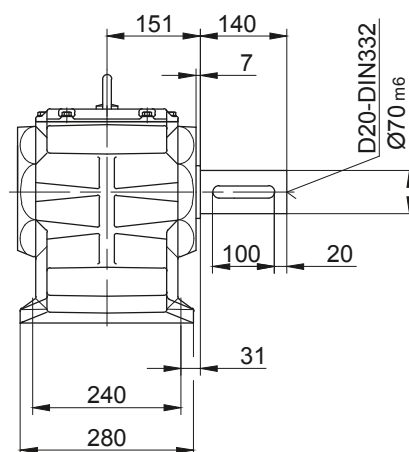
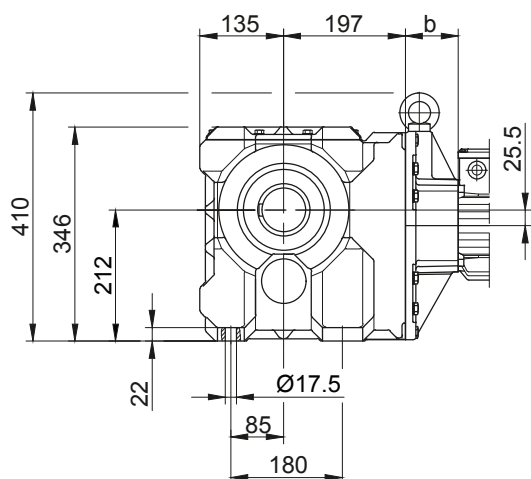
Flange with tapped holes at front

Code -7.V/



Foot with clearance holes at bottom

Code -1.U/



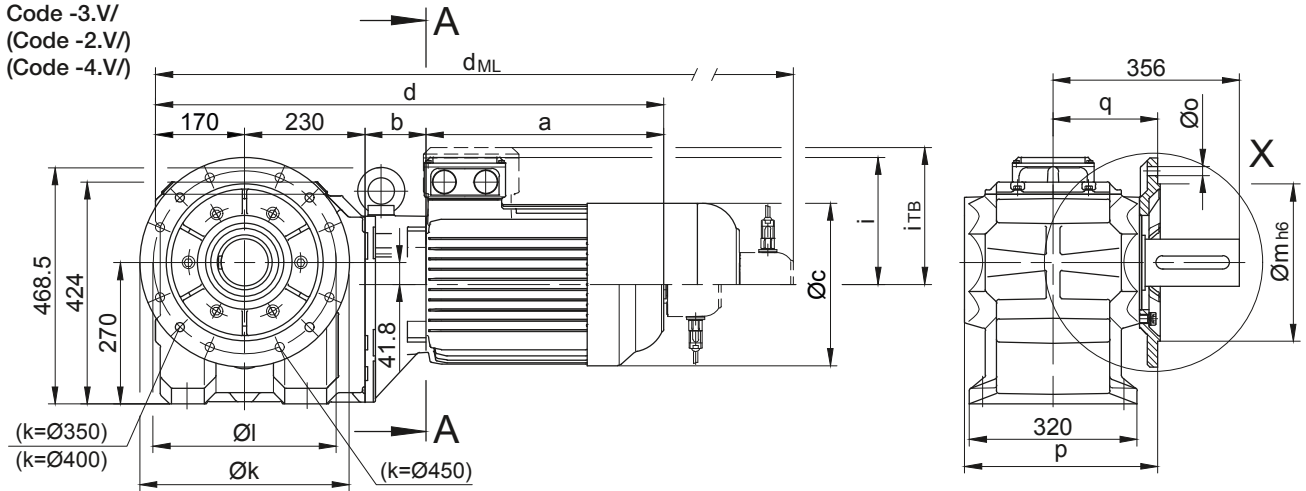
BK-series bevel-geared motors

Dimension - Standard

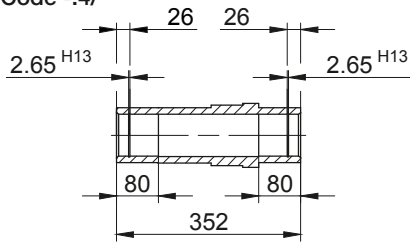
BK70-BK70Z

Flange with clearance holes at front

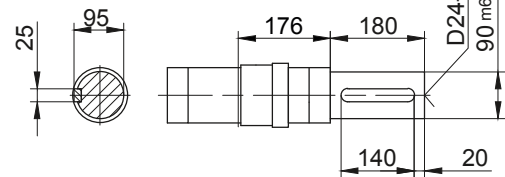
Code -3.V/
(Code -2.V)
(Code -4.V)



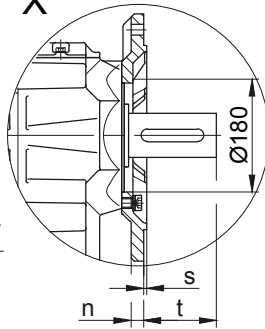
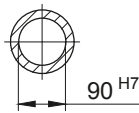
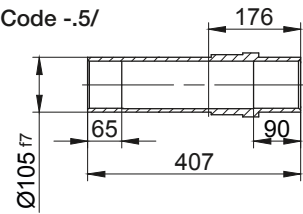
Code -4/



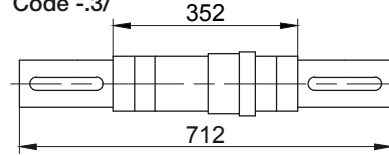
Code -1/



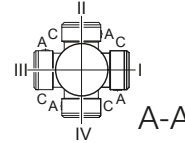
Code -5/



Code -3/



Standard



Flange Dimensions		k	l	m	n	o	p	q	s	t
BK70..	Code -3.V/	400	350	300	20	4 x 17.5	369	200	5	157
BK70..	Code -2.V/	350	300	250	20	4 x 17.5	369	200	5	157
BK70..	Code -4.V/	450	400	350	22	4 x 17.5	379	210	5	147

Dimensions in millimetres (mm)

Type	a	b	c	d	i	Design with motor extensions				
						i _{TB}	Brake	Encoder	Brake with Encoder	Back Stop
							d _{ML}	d _{ML}	d _{ML}	d _{ML}
BK70Z-../D..08.A.	199.5	202	156	801.5	114.5	136.5	867.5	913.5	975	867.5
BK70Z-../D..08.B.	229.5	202	156	831.5	114.5	136.5	897.5	943.5	1004.5	897.5
BK70-../D..09.A.	250.5	83.5	176	734	124	157	827	841.5	931	827
BK70Z-../D..09.A.	250.5	216.5	176	867	124	157	960	974.5	1064	960
BK70-../D..09.B.	308.5	83.5	176	792	124	157	885	899	989	885
BK70Z-../D..09.B.	308.5	216.5	176	925	124	157	1018	1032	1122	1018
BK70-../D..11.A.	319	90	218	809	165	176	907	916.5	1009	907
BK70Z-../D..11.A.	319	223	218	942	165	176	1040	1049.5	1142	1040
BK70-../D..11.B.	387	90	218	877	165	176	973	984.5	1077	973
BK70Z-../D..11.B.	387	223	218	1010	165	176	1106	1117.5	1210	1106
BK70-../D..13.A.	393	103	258	896	217	217	1007	1003	1108	1004
BK70Z-../D..13.A.	393	236	258	1029	217	217	1140	1136	1241	1137
BK70-../D..16.B.	454.5	117	310	971.5	243	243	1115	1078.5	1218.5	1115
BK70Z-../D..16.B.	454.5	250	310	1104.5	243	243	1248	1211.5	1351.5	1248
BK70-../D..18.B.	542	139	348	1081	288	288	1230.5	1186.5	1334	1230.5
BK70Z-../D..18.B.	542	272	348	1214	288	288	1363.5	1319.5	1467	1363.5
BK70-../D..20.A.	703.5	156	363	1259.5	302	302	1387	1365	1492.5	1259.5
BK70-../D..22.A.	703.5	156	363	1259.5	302	302	1387	1365	1492.5	1259.5

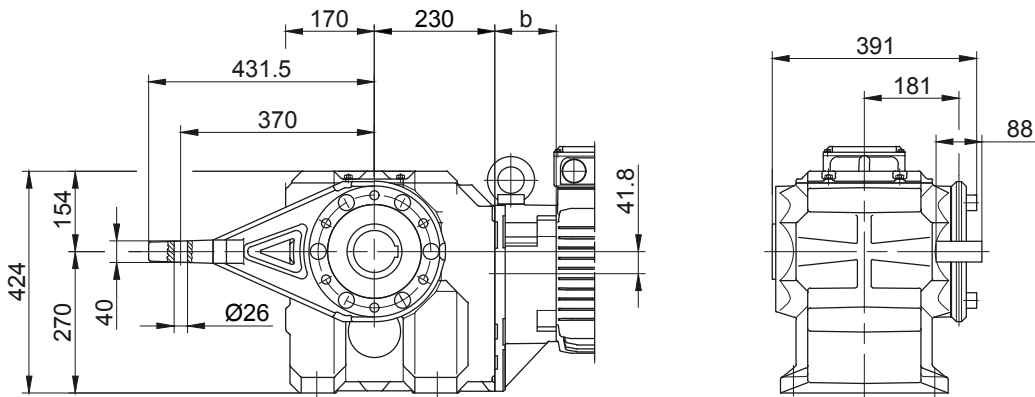
Dimensions in millimetres (mm)

The actual gearbox design can vary from the geometry shown. Generate drive specific 3D and 2D geometries under www.BauerCat.com.

BK70-BK70Z

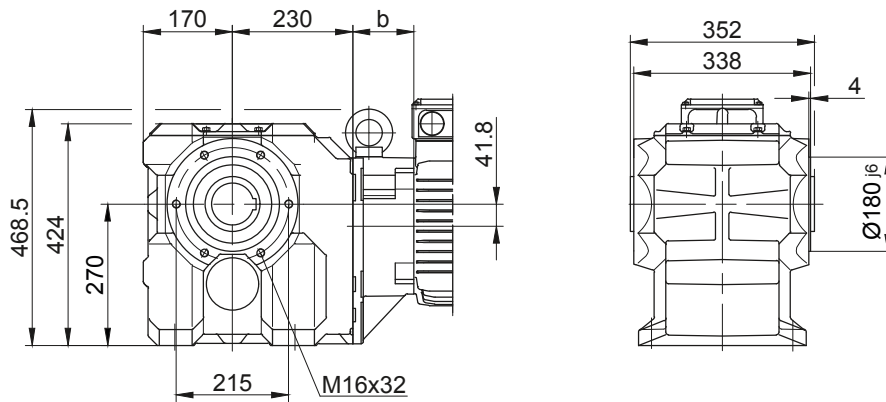
Torque arm at front

Code -5.V/



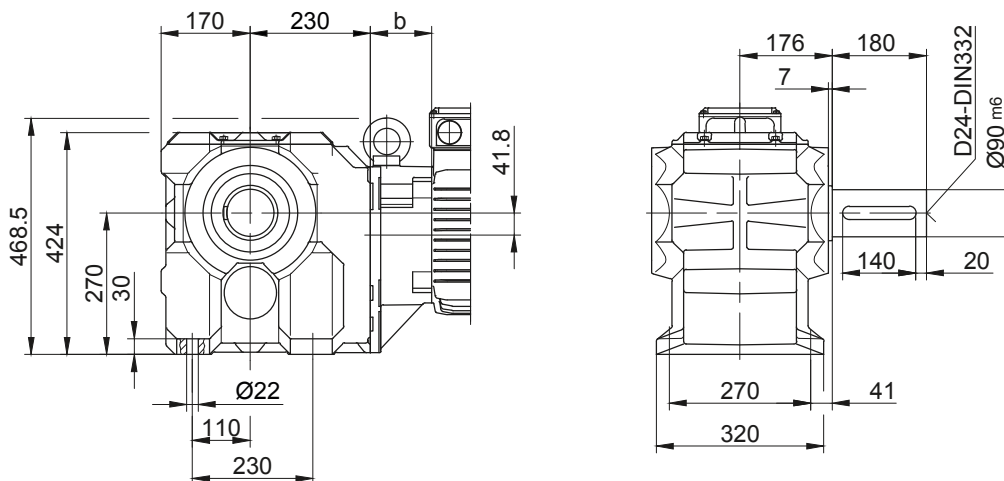
Flange with tapped holes at front

Code -7.V/

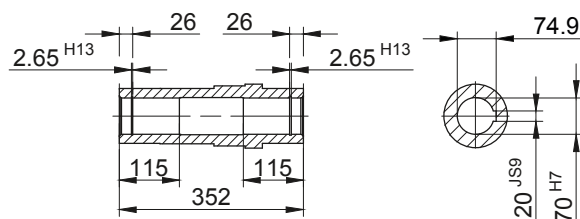


Foot with clearance holes at bottom

Code -1.U/



Code -4/K70



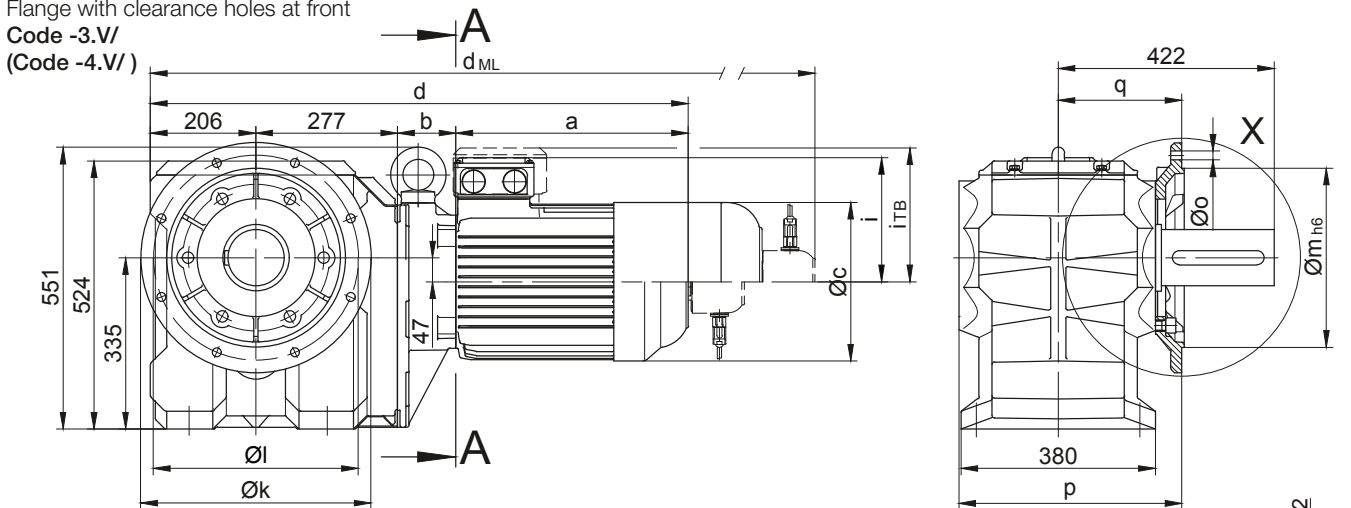
The actual gearbox design can vary from the geometry shown. Generate drive specific 3D and 2D geometries under www.BauerCat.com.

BK-series bevel-geared motors

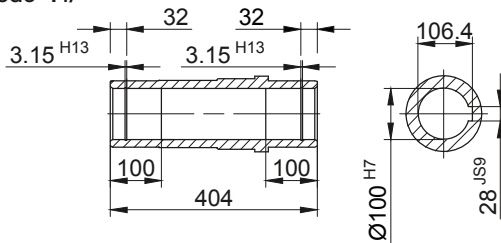
Dimension - Standard

BK80-BK80Z

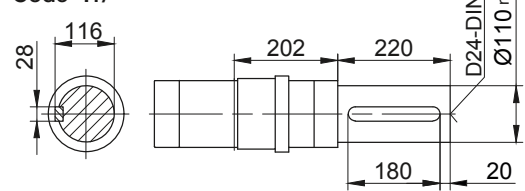
Flange with clearance holes at front
Code -3.V/
(Code -4.V/)



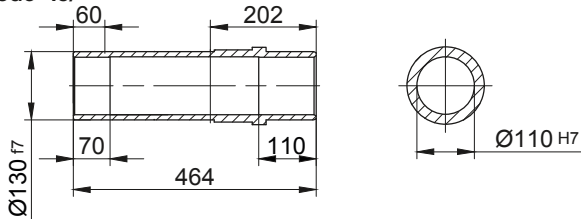
Code -4/



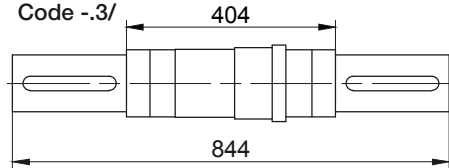
Code -1/



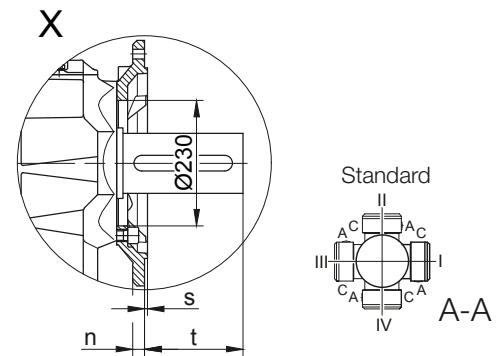
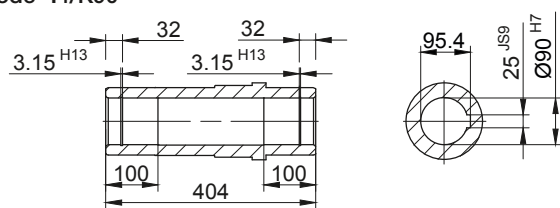
Code -5/



Code -3/



Code -4/K90



Flange Dimensions											
Type	Design	k	l	m	n	o	p	q	s	t	
BK80..	Code -3.V/	450	400	350	22	17.5	439	245	5	178	
BK80..	Code -4.V/	550	500	450	22	17.5	444	250	5	173	

Dimensions in millimetres (mm)

Type	a	b	c	d	i	i _{TB}	Design with motor extensions			
							Brake	Encoder	Brake with Encoder	Back Stop
							d _{ML}	d _{ML}	d _{ML}	d _{ML}
BK80Z-../D..09.A.	250.5	252.5	176	986	124	157	1079	1093.5	1183	1079
BK80Z-../D..09.B.	308.5	252.5	176	1044	124	157	1137	1151	1241	1137
BK80-../D..11.A.	319	87	218	889	165	176	987	996.5	1089	987
BK80Z-../D..11.A.	319	259	218	1061	165	176	987	1168.5	1261	1159
BK80-../D..11.B.	387	87	218	957	165	176	1053	1064.5	1157	1053
BK80Z-../D..11.B.	387	259	218	1129	165	176	1225	1236.5	1329	1225
BK80-../D..13.A.	393	100	258	976	217	217	1087	1083	1188	1084
BK80Z-../D..13.A.	393	272	258	1148	217	217	1259	1255	1360	1256
BK80-../D..16.B.	454.5	114	310	1051.5	243	243	1195	1158.5	1298.5	1195
BK80Z-../D..16.B.	454.5	286	310	1223.5	243	243	1367	1330.5	1470.5	1367
BK80-../D..18.B.	542	136	348	1161	288	288	1217	1266.5	1414	1310.5
BK80Z-../D..18.B.	542	308	348	1333	288	288	1389	1438.5	1586	1482.5
BK80-../D..20.A.	703.5	153	363	1339.5	302	302	1467	1445	1572.5	1339.5
BK80-../D..22.A.	703.5	153	363	1339.5	302	302	1467	1445	1572.5	1339.5

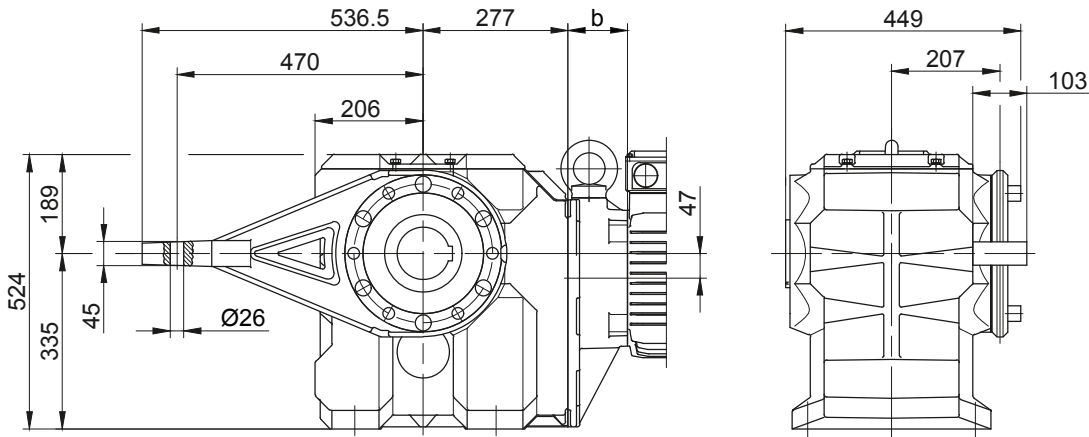
Dimensions in millimetres (mm)

The actual gearbox design can vary from the geometry shown. Generate drive specific 3D and 2D geometries under www.BauerCat.com.

BK80-BK80Z

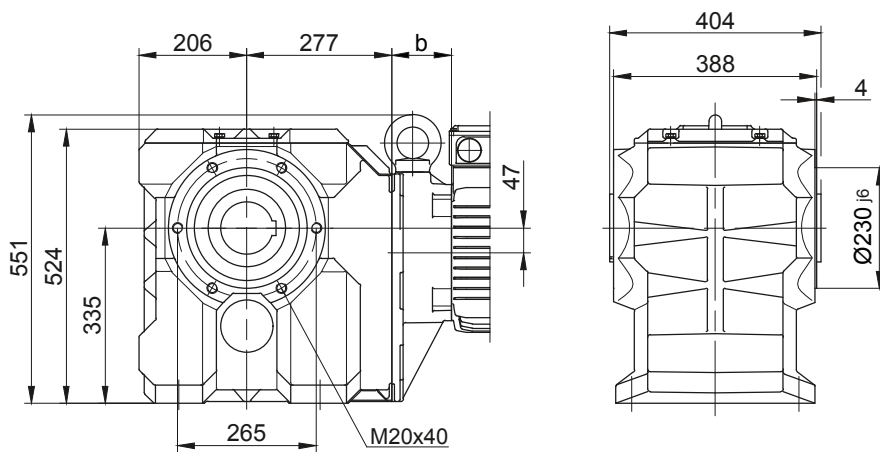
Torque arm at front

Code -5.V/



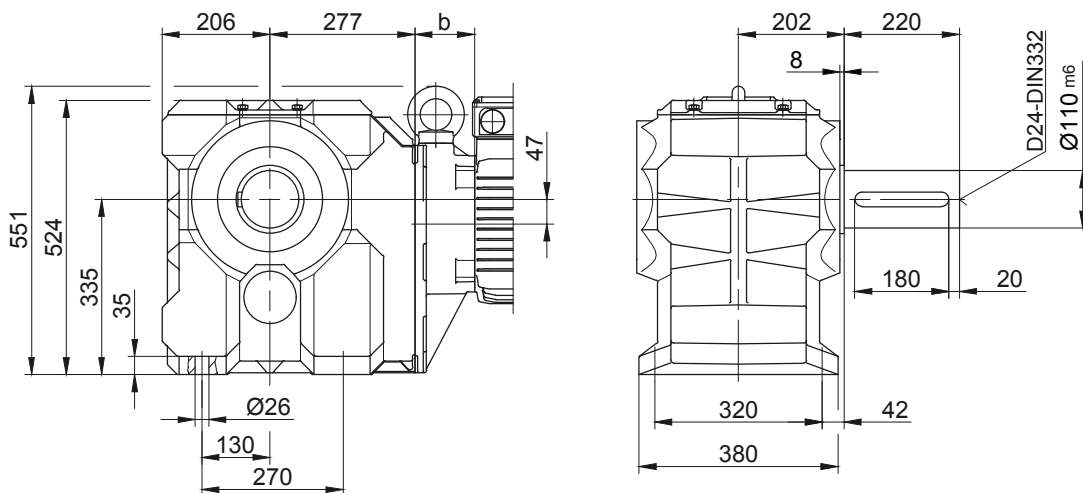
Flange with tapped holes at front

Code -7.V/



Foot with clearance holes at bottom

Code -1.U/



BK-series bevel-geared motors

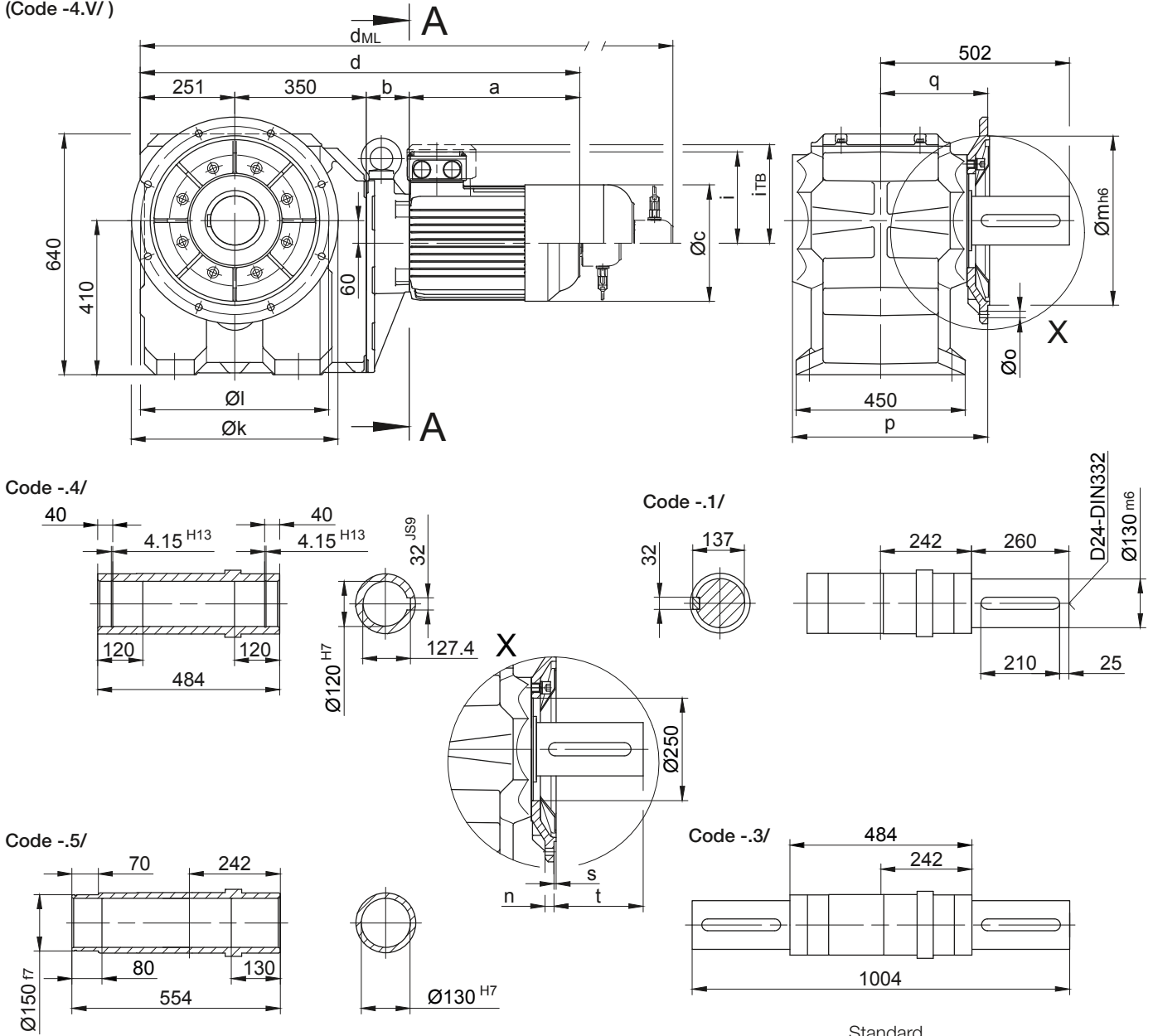
Dimension - Standard

BK90-BK90Z

Flange with clearance holes at front

Code -3.V/

(Code -4.V/)



Flange Dimensions

Type	Design	k	l	m	n	o	p	q	s	t
BK90..	Code -3.V/	550	500	450	22	17.5	519	285	5	218
BK90..	Code -4.V/	660	600	550	25	22	513	279	6	225

Dimensions in millimetres (mm)

Type	a	b	c	d	i	Design with motor extensions				
						i _{TB}	Brake	Encoder	Brake with Encoder	Back Stop
							d _{ML}	d _{ML}	d _{ML}	d _{ML}
BK90Z-../D..09.A.	250.5	267	176	1118.5	124	157	1211.5	1226	1315.5	1211.5
BK90Z-../D..09.B.	308.5	267	176	1176.5	124	157	1269.5	1283.5	1373.5	1269.5
BK90Z-../D..11.A.	319	273.5	218	1193.5	165	176	1291.5	1301	1393.5	1291.5
BK90Z-../D..11.B.	387	273.5	218	1261.5	165	176	1357.5	1369	1461.5	1357.5
BK90-../D..13.A.	393	100	258	1094	217	217	1205	1201	1306	1202
BK90Z-../D..13.A.	393	286.5	258	1280.5	217	217	1391.5	1387.5	1492.5	1388.5
BK90-../D..16.B.	454.5	114	310	1169.5	243	243	1313	1276.5	1416.5	1313
BK90Z-../D..16.B.	454.5	300.5	310	1356	243	243	1499.5	1463	1603	1499.5
BK90-../D..18.B.	542	136	348	1279	288	288	1428.5	1384.5	1532	1428.5
BK90Z-../D..18.B.	542	322.5	348	1465.5	288	288	1615	1571	1718.5	1615
BK90-../D..20.A.	703.5	153	363	1457.5	302	302	1585	1563	1690.5	1457.5
BK90-../D..22.A.	703.5	153	363	1457.5	302	302	1585	1563	1690.5	1457.5

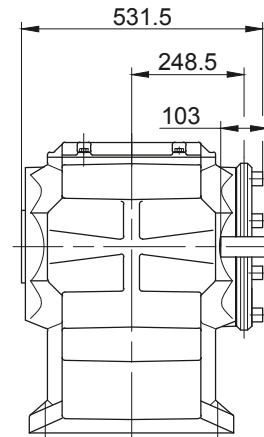
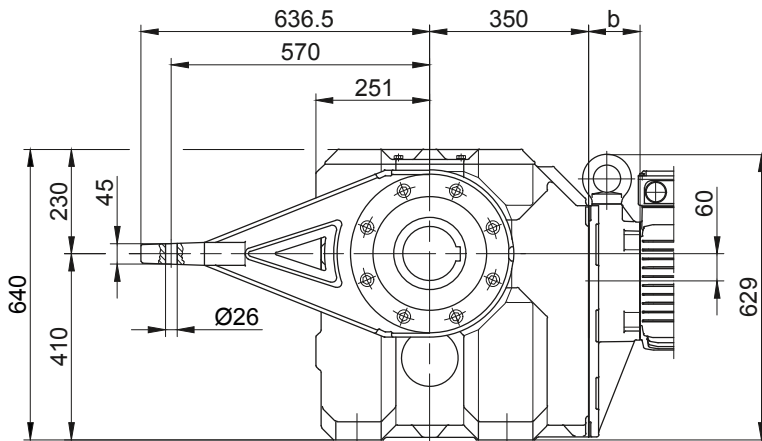
Dimensions in millimetres (mm)

The actual gearbox design can vary from the geometry shown. Generate drive specific 3D and 2D geometries under www.BauerCat.com.

BK90-BK90Z

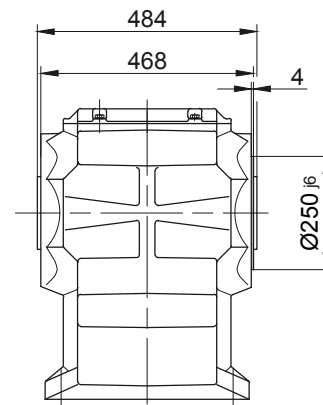
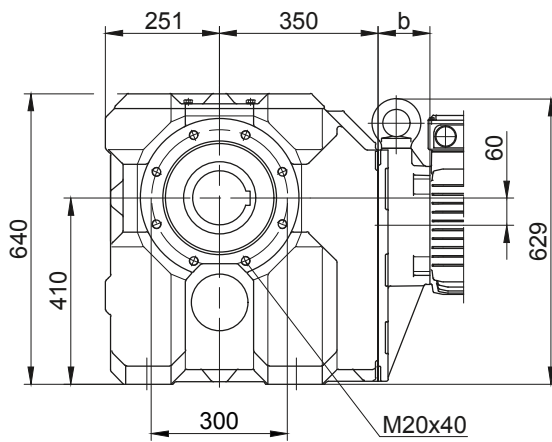
Torque arm at front

Code -5.V/



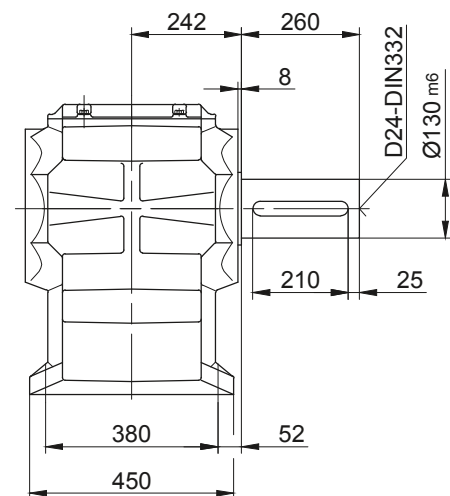
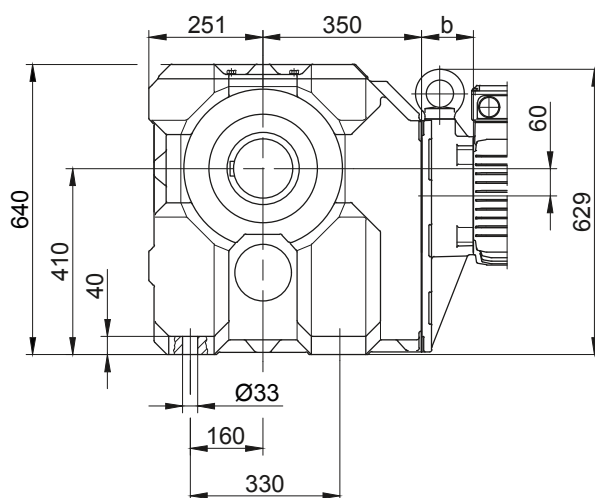
Flange with tapped holes at front

Code -7.V/



Foot with tapped holes at bottom

Code -1.U/



BK-series bevel-geared motors

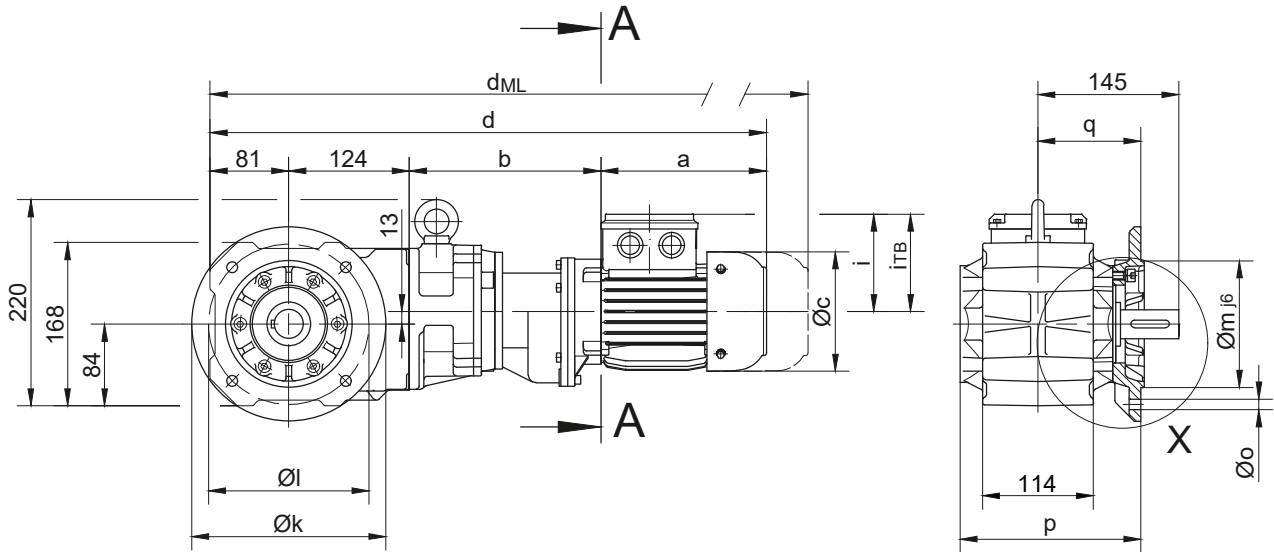
Dimension - Tandem Gearbox

BK10G06

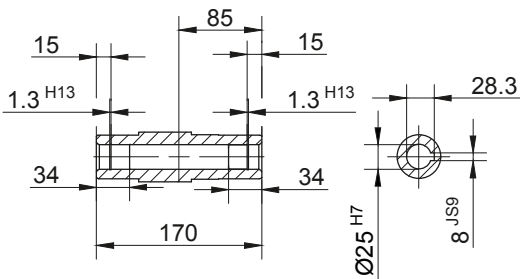
Flange with clearance holes at front

Code -3.V/

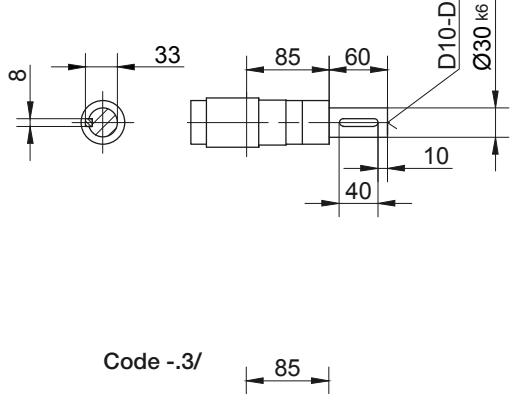
(Code -2.V/)



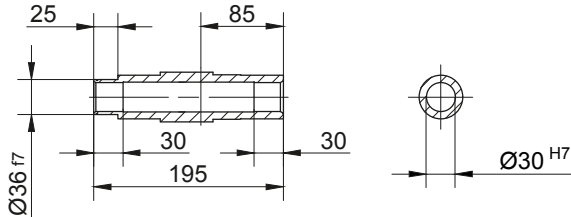
Code -.4/



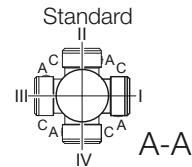
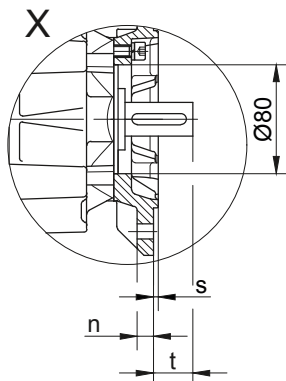
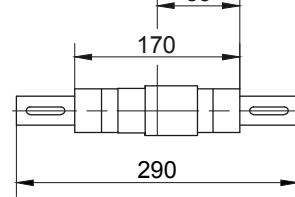
Code -.1/



Code -.5/



Code -.3/



Flange Dimensions		k	l	m	n	o	p	q	s	t
Type	Design									
BK10..	Code -3.V/	200	165	130	12	11	186,5	106	3,5	39
BK10..	Code -2.V/	160	130	110	10	9	179,5	99	3,5	46

Dimensions in millimetres (mm)

Type	a	b	c	d	i	Design with motor extensions				
						i _{TB}	Brake	Encoder	Brake with Encoder	Back Stop
							d _{ML}	d _{ML}	d _{ML}	d _{ML}
BK10G06-../D04.A.	142.5	193	110.5	540.5	90	112	584	628	671.5	-
BK10G06-../D..05.A.	170.5	195	123	570.5	101	117	612.5	673	710.5	-
BK10G06-../D..06.A.	170.5	195	123	570.5	99	119	612.5	673	710.5	-
BK10G06-../D..07.A.	190.5	195	123	590.5	99	119	632.5	693	730.5	-
BK10G06-../D..08.A.	199.5	239	156	643.5	114.5	136.5	709.5	755.5	817	709.5
BK10G06-../D..08.B.	229.5	239	156	673.5	114.5	136.5	739.5	785.5	846.5	739.5

Dimensions in millimetres (mm)

The actual gearbox design can vary from the geometry shown. Generate drive specific 3D and 2D geometries under www.BauerCat.com.

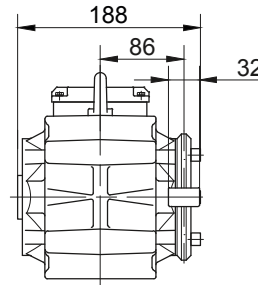
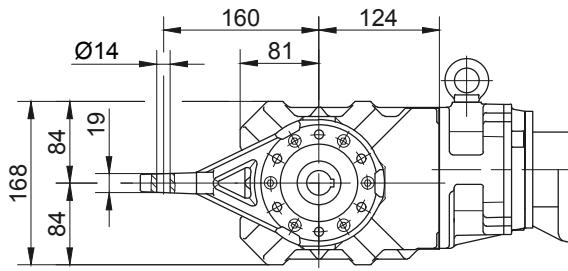
BK-series bevel-gear motors

Dimension - Tandem Gearbox

BK10G06

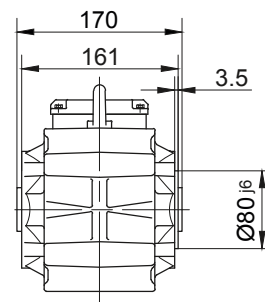
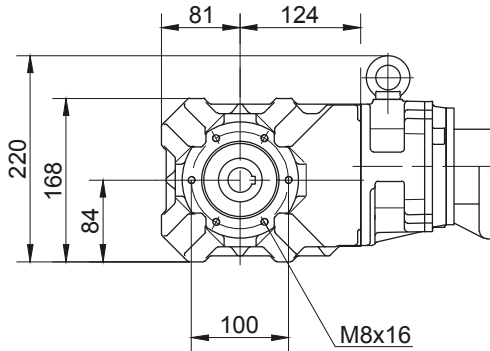
Torque arm at front

Code -5.V/



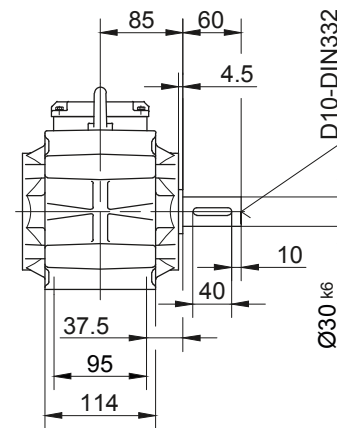
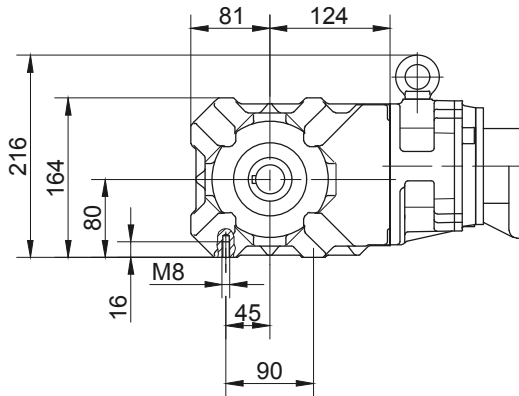
Flange with tapped holes at front

Code -7.V/



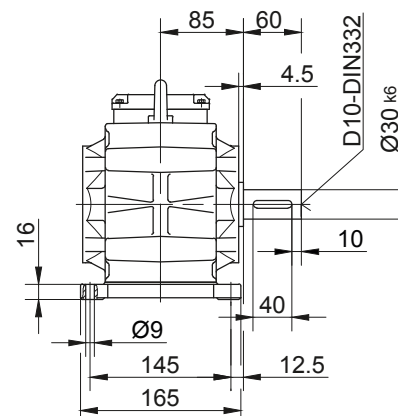
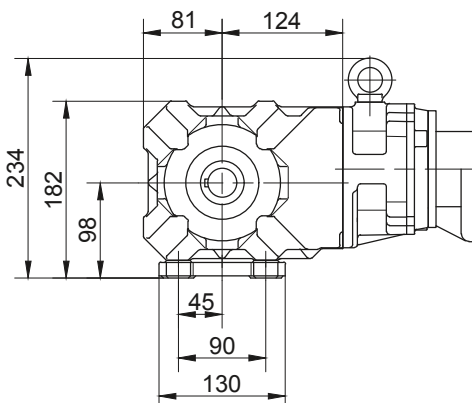
Foot with tapped holes at bottom

Code -6.U/



Foot with clearance holes at bottom

Code -1.U/



12

The actual gearbox design can vary from the geometry shown. Generate drive specific 3D and 2D geometries under www.BauerCat.com.

BK-series bevel-geared motors

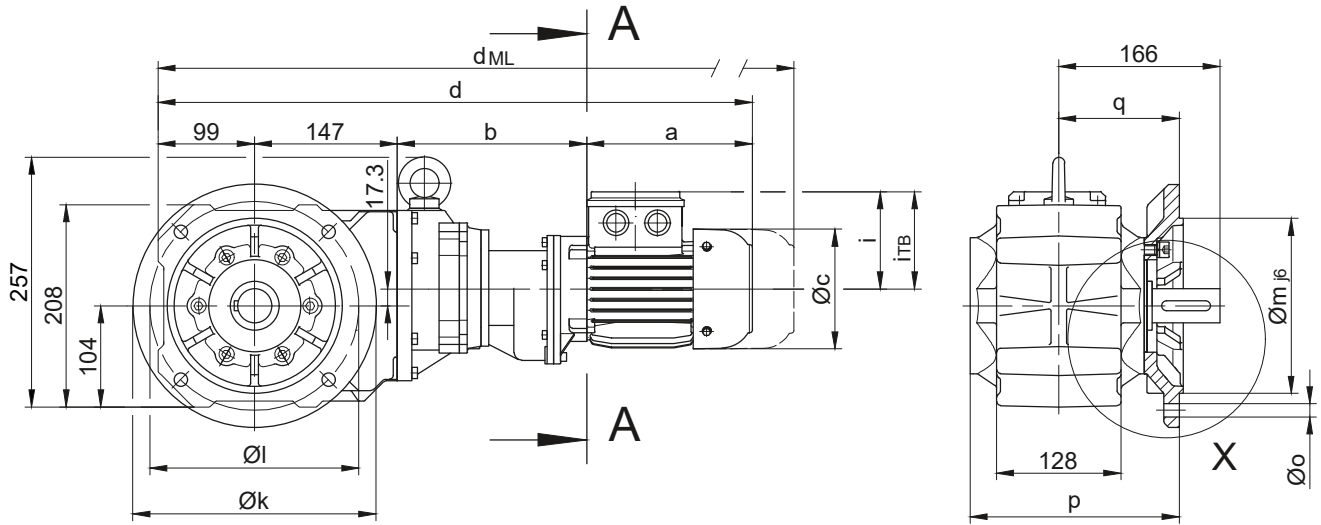
Dimension - Tandem Gearbox

BK20G06

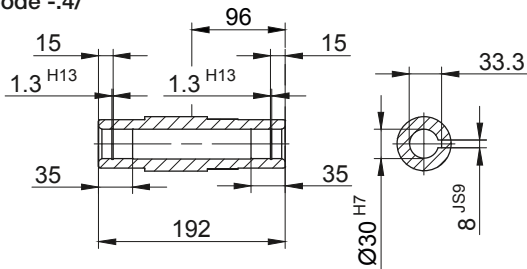
Flange with clearance holes at front

Code -3.V/

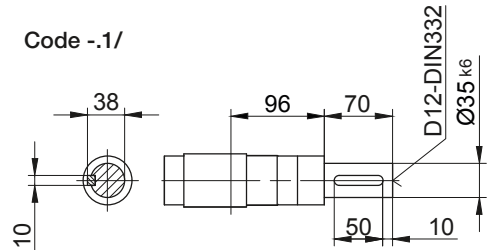
(Code -2.V/)



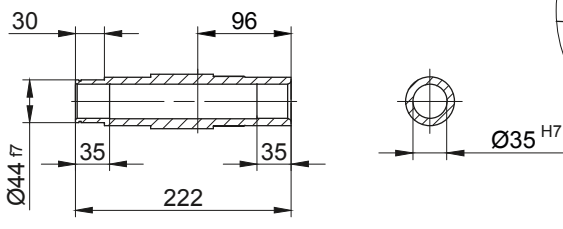
Code -4/



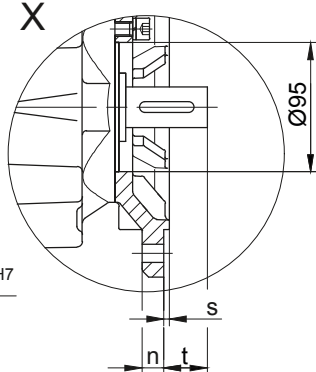
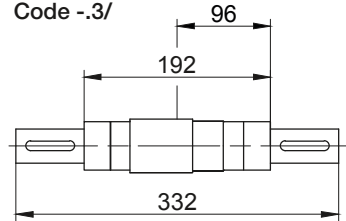
Code -1/



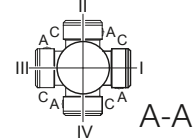
Code -5/



Code -3/



Standard



Flange Dimensions

Type	Design	k	l	m	n	o	p	q	s	t
BK20..	Code -3.V/	250	215	180	16	13,5	215,5	124	4	42,5
BK20..	Code -2.V/	200	165	130	12	11	206,5	115	3,5	51

Dimensions in millimetres (mm)

Type	a	b	c	d	i	i _{TB}	Design with motor extensions			
							Brake	Encoder	Brake with Encoder	Back Stop
							d _{ML}	d _{ML}	d _{ML}	d _{ML}
BK20G06-../D04.A.	142.5	193	110.5	581.5	90	112	625	669	712.5	-
BK20G06-../D..05.A.	170.5	195	123	611.5	101	117	653.5	714	751.5	-
BK20G06-../D..06.A.	170.5	195	123	611.5	99	119	653.5	714	751.5	-
BK20G06-../D..07.A.	190.5	195	123	631.5	99	119	673.5	734	771.5	-
BK20G06-../D..08.A.	199.5	239	156	684.5	114.5	136.5	750.5	796.5	858	750.5
BK20G06-../D..08.B.	229.5	239	156	714.5	114.5	136.5	780.5	826.5	887.5	780.5

Dimensions in millimetres (mm)

The actual gearbox design can vary from the geometry shown. Generate drive specific 3D and 2D geometries under www.BauerCat.com.

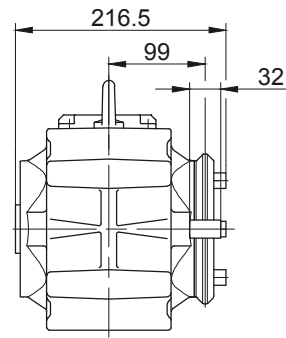
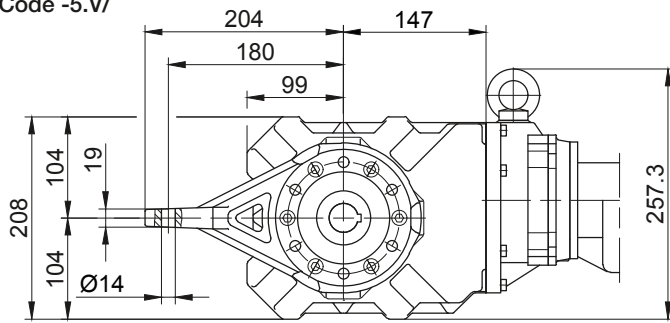
BK-series bevel-gear motors

Dimension - Tandem Gearbox

BK20G06

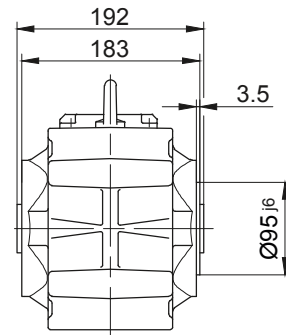
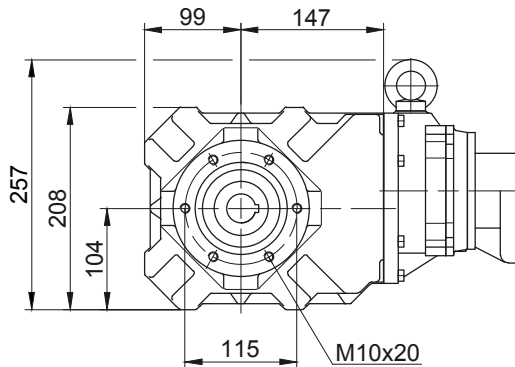
Torque arm at front

Code -5.V/



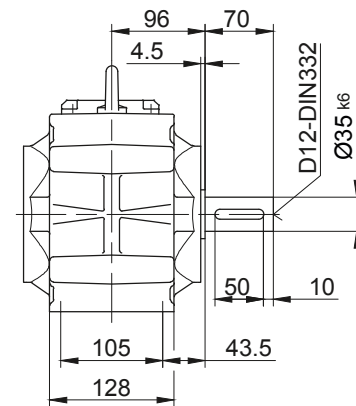
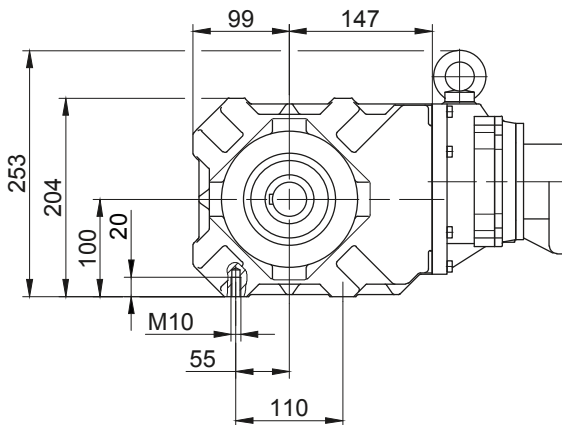
Flange with tapped holes at front

Code -7.V/



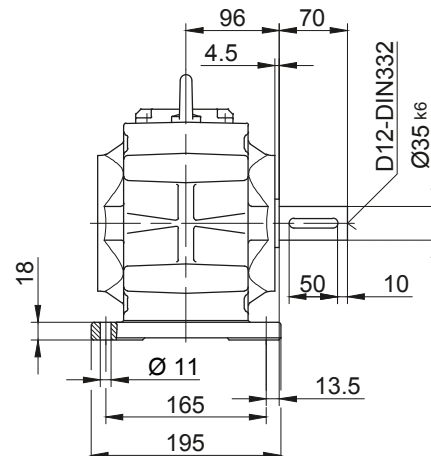
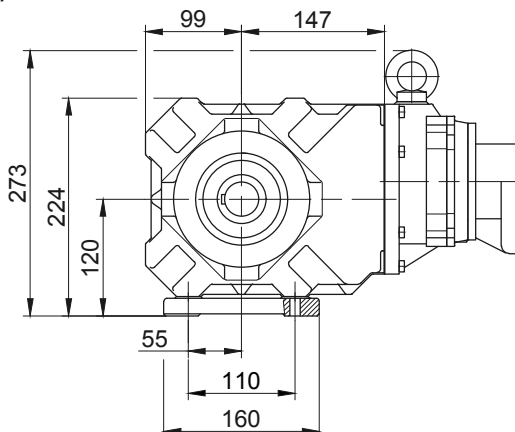
Foot with tapped holes at bottom

Code -6.U/



Foot with clearance holes at bottom

Code -1.U/



12

BK-series bevel-geared motors

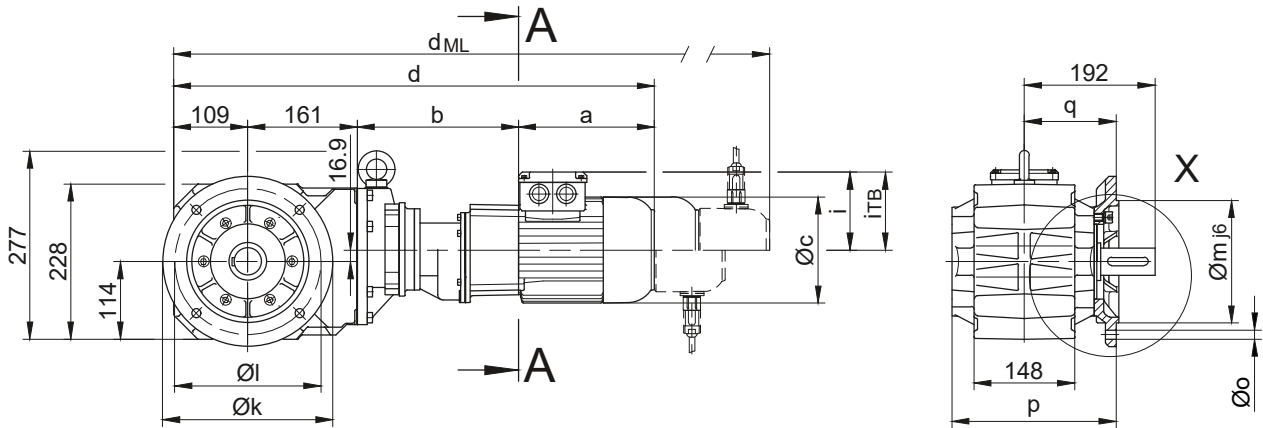
Dimension - Tandem Gearbox

BK30G06

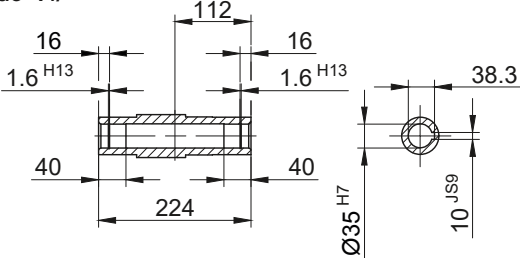
Flange with clearance holes at front

Code -3.V/

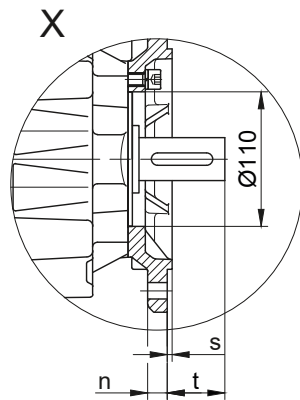
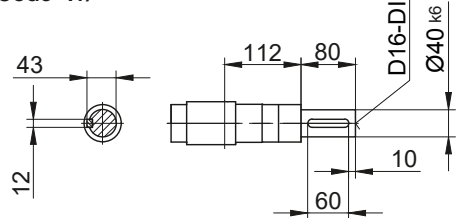
(Code -2.V/)



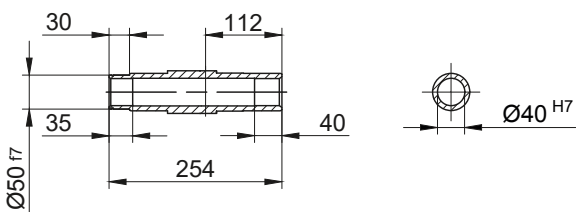
Code -4/



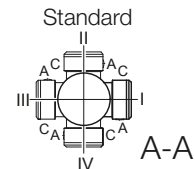
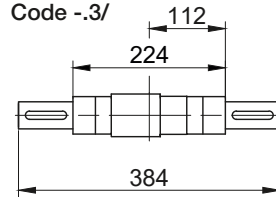
Code -1/



Code -5/



Code -3/



Flange Dimensions		k	l	m	n	o	p	q	s	t
Type	Design									
BK30..	Code -3.V/	250	215	180	16	13,5	242	135	4	57
BK30..	Code -2.V/	200	165	130	12	11	239	132	3,5	59,5

Dimensions in millimetres (mm)

Type	a	b	c	d	i	i _{TB}	Design with motor extensions			
							Brake	Encoder	Brake with Encoder	Back Stop
							d _{ML}	d _{ML}	d _{ML}	d _{ML}
BK30G06-../D04.A.	142.5	191	110.5	603.5	90	112	647	691	734.5	-
BK30G06-../D..05.A.	170.5	193	123	633.5	101	117	675.5	736	773.5	-
BK30G06-../D..06.A.	170.5	193	123	633.5	99	119	675.5	736	773.5	-
BK30G06-../D..07.A.	190.5	193	123	653.5	99	119	695.5	756	793.5	-
BK30G06-../D..08.A.	199.5	237	156	706.5	114.5	136.5	772.5	818.5	880	772.5
BK30G06-../D..08.B.	229.5	237	156	736.5	114.5	136.5	802.5	848.5	909.5	802.5

Dimensions in millimetres (mm)

The actual gearbox design can vary from the geometry shown. Generate drive specific 3D and 2D geometries under www.BauerCat.com.

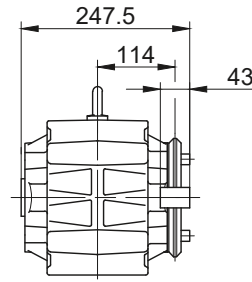
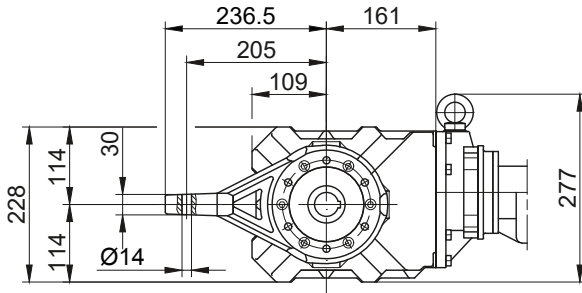
BK-series bevel-geared motors

Dimension - Tandem Gearbox

BK30G06

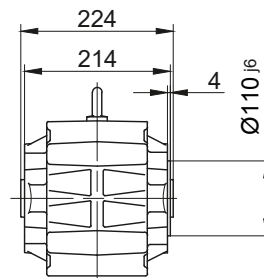
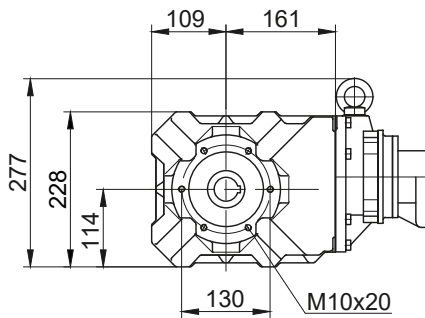
Torque arm at front

Code -5.V/



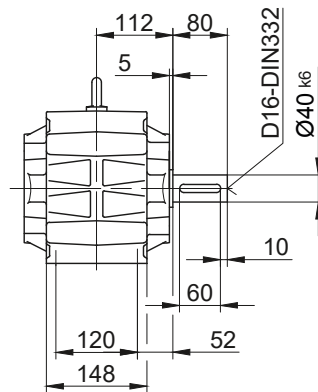
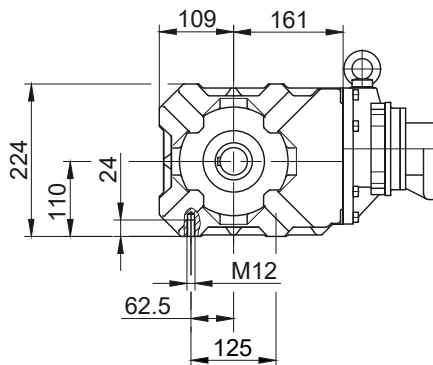
Flange with tapped holes at front

Code -7.V/



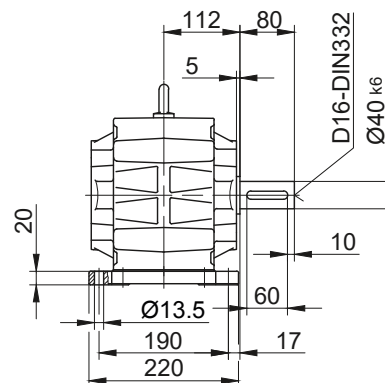
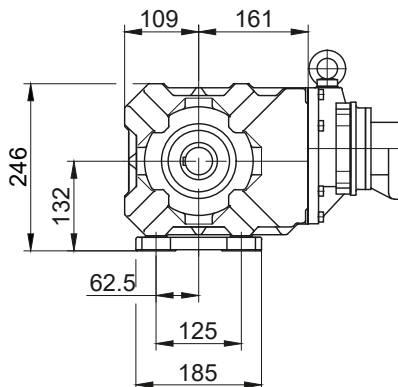
Foot with tapped holes at bottom

Code -6.U/



Foot with clearance holes at bottom

Code -1.U/



The actual gearbox design can vary from the geometry shown. Generate drive specific 3D and 2D geometries under www.BauerCat.com.

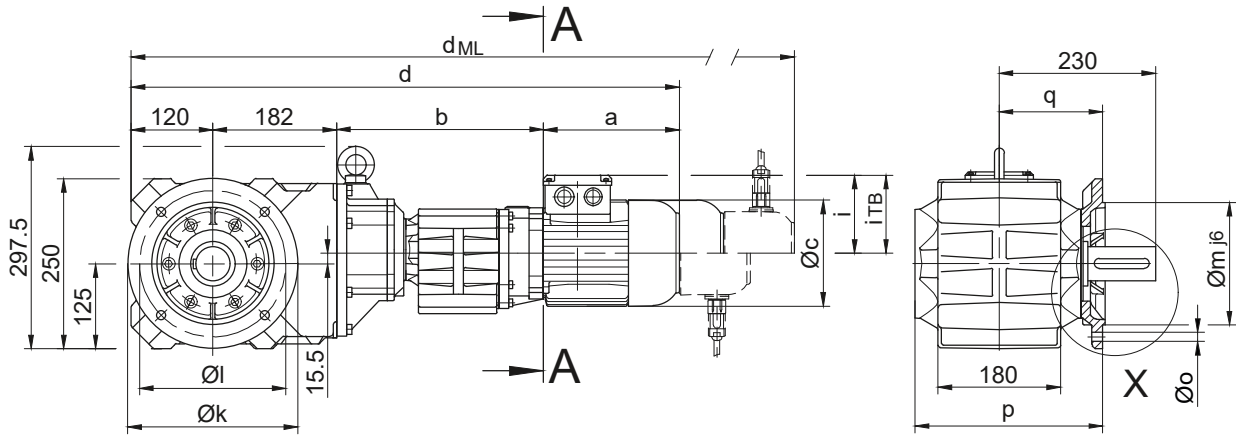
BK-series bevel-geared motors

Dimension - Tandem Gearbox

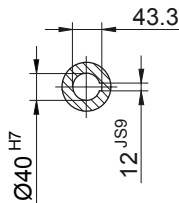
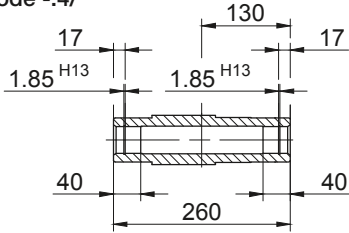
BK40G10

Flange with clearance holes at front

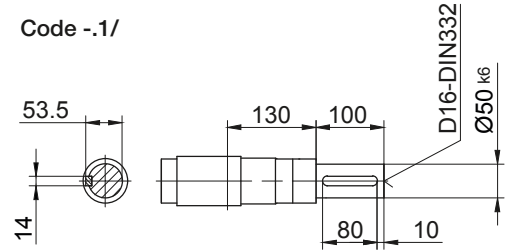
Code -3.V/
(Code -4.V/)



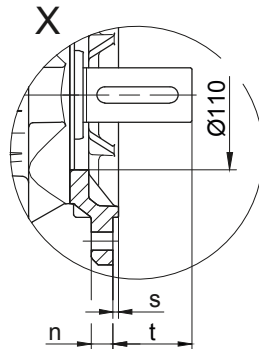
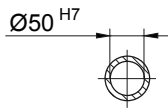
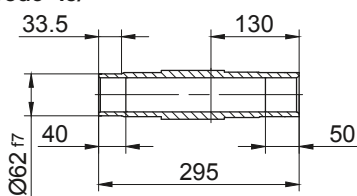
Code -4/



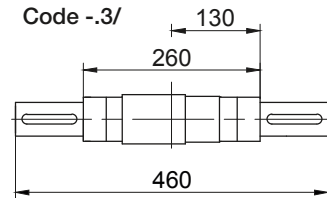
Code -1/



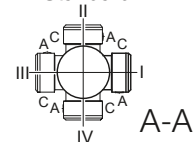
Code -5/



Code -3/



Standard



Flange Dimensions

Type	Design	k	l	m	n	o	p	q	s	t
BK40..	Code -3.V/	250	215	180	16	13,5	276	152	4	78
BK40..	Code -4.V/	300	265	230	20	13,5	282	158	4	72

Dimensions in millimetres (mm)

Type	a	b	c	d	i	i _{TB}	Design with motor extensions			
							Brake	Encoder	Brake with Encoder	Back Stop
							d _{ML}	d _{ML}	d _{ML}	d _{ML}
BK40G10-../D..05.A.	170.5	300	123	772.5	101	117	814.5	875	912.5	-
BK40G10-../D..06.A.	170.5	300	123	772.5	99	119	814.5	875	912.5	-
BK40G10-../D..07.A.	190.5	300	123	792.5	99	119	834.5	895	932.5	-
BK40G10-../D..08.A.	199.5	304	156	805.5	114.5	136.5	871.5	917.5	979	871.5
BK40G10-../D..08.B.	229.5	304	156	835.5	114.5	136.5	901.5	947.5	1008.5	901.5
BK40G10-../D..09.A.	250.5	318.5	176	871	124	157	964	978.5	1068	964
BK40G10-../D..09.B.	308.5	318.5	176	929	124	157	1022	1036	1126	1022

Dimensions in millimetres (mm)

The actual gearbox design can vary from the geometry shown. Generate drive specific 3D and 2D geometries under www.BauerCat.com.

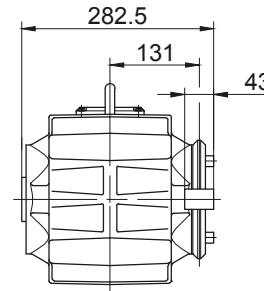
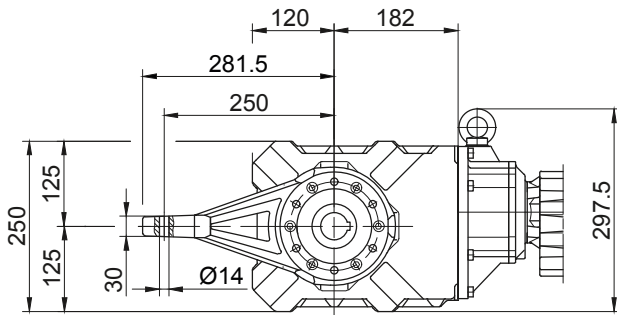
BK-series bevel-geared motors

Dimension - Tandem Gearbox

BK40G10

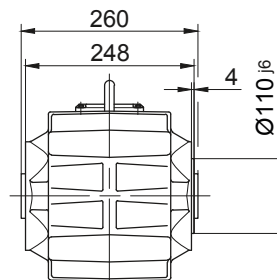
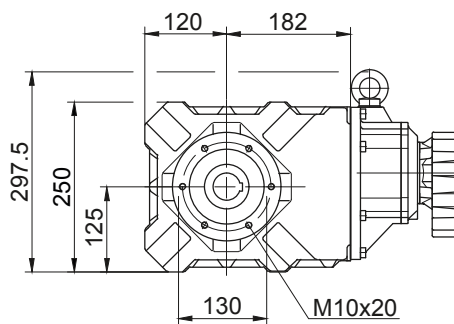
Torque arm at front

Code -5.V/



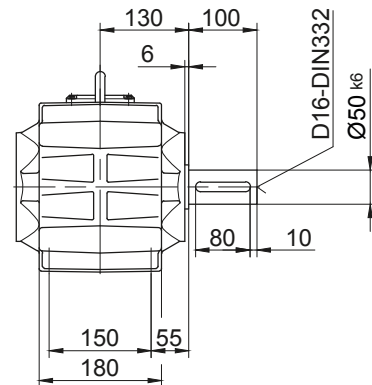
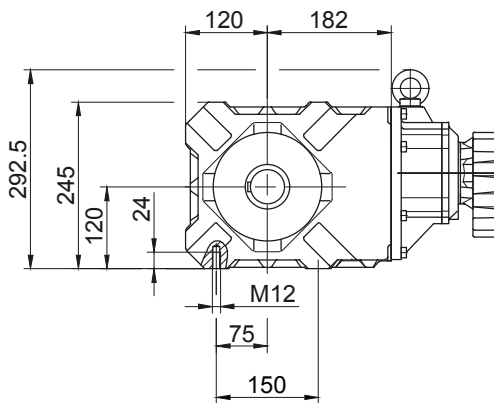
Flange with tapped holes at front

Code -7.V/



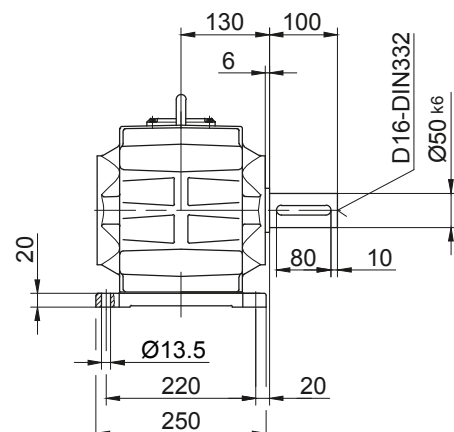
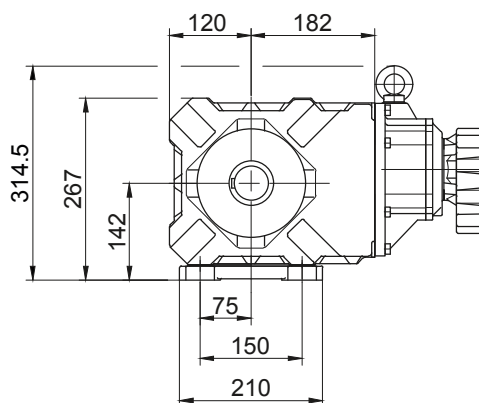
Foot with tapped holes at bottom

Code -6.U/



Foot with clearance holes at bottom

Code -1.U/



The actual gearbox design can vary from the geometry shown. Generate drive specific 3D and 2D geometries under www.BauerCat.com.

BK-series bevel-geared motors

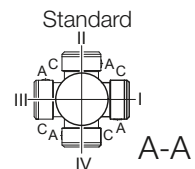
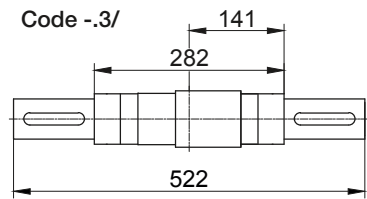
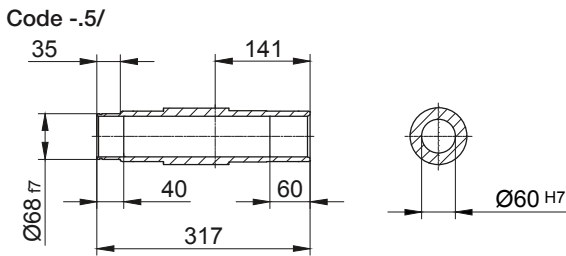
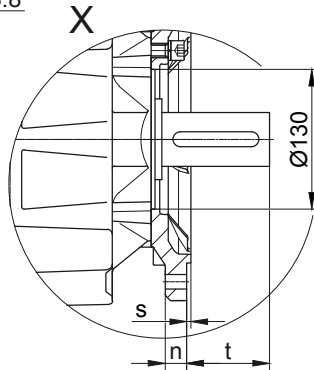
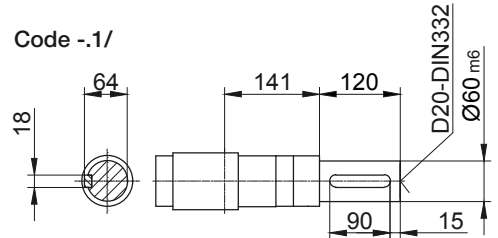
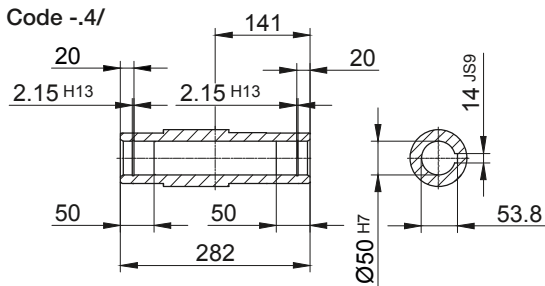
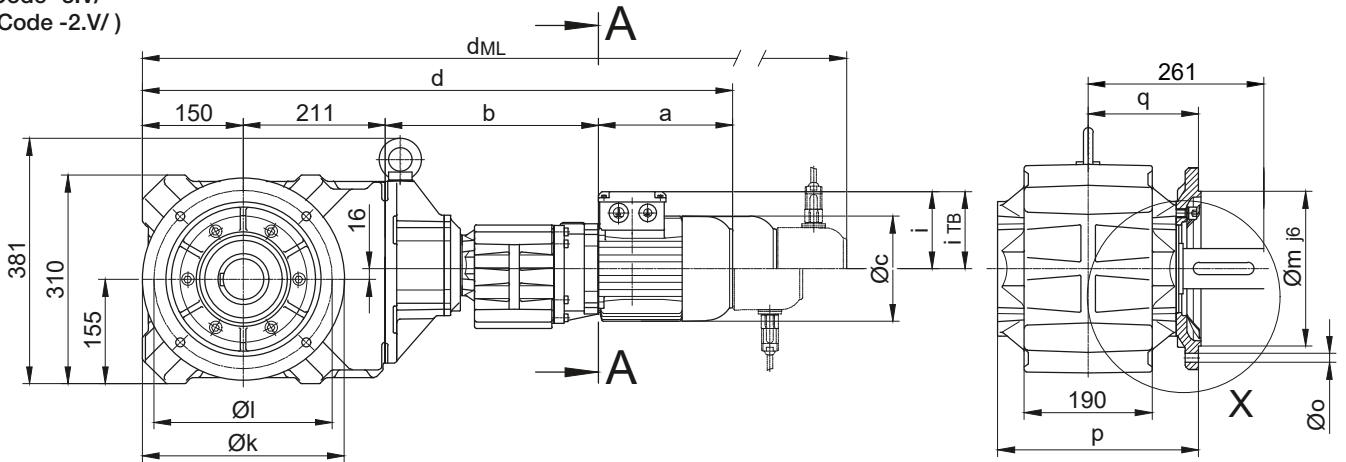
Dimension - Tandem Gearbox

BK50G10

Flange with clearance holes at front

Code -3.V/

(Code -2.V/)



Flange Dimensions		k	l	m	n	o	p	q	s	t
BK50..	Code -3.V/	300	265	230	20	13,5	299	164	4	97
BK50..	Code -2.V/	250	215	180	16	13,5	296	161	4	100

Dimensions in millimetres (mm)

Type	a	b	c	d	i	i _{TB}	Design with motor extensions			
							Brake	Encoder	Brake with Encoder	Back Stop
							d _{ML}	d _{ML}	d _{ML}	d _{ML}
BK50G10-../D..05.A.	170.5	313	123	844.5	101	117	886.5	947	984.5	-
BK50G10-../D..06.A.	170.5	313	123	844.5	99	119	886.5	947	984.5	-
BK50G10-../D..07.A.	190.5	313	123	864.5	99	119	906.5	967	1004.5	-
BK50G10-../D..08.A.	199.5	317	156	877.5	114.5	136.5	943.5	989.5	1051	943.5
BK50G10-../D..08.B.	229.5	317	156	907.5	114.5	136.5	973.5	1019.5	1080.5	973.5
BK50G10-../D..09.A.	250.5	331.5	176	943	124	157	1036	1050.5	1140	1036
BK50G10-../D..09.B.	308.5	331.5	176	1001	124	157	1094	1108	1198	1094

Dimensions in millimetres (mm)

The actual gearbox design can vary from the geometry shown. Generate drive specific 3D and 2D geometries under www.BauerCat.com.

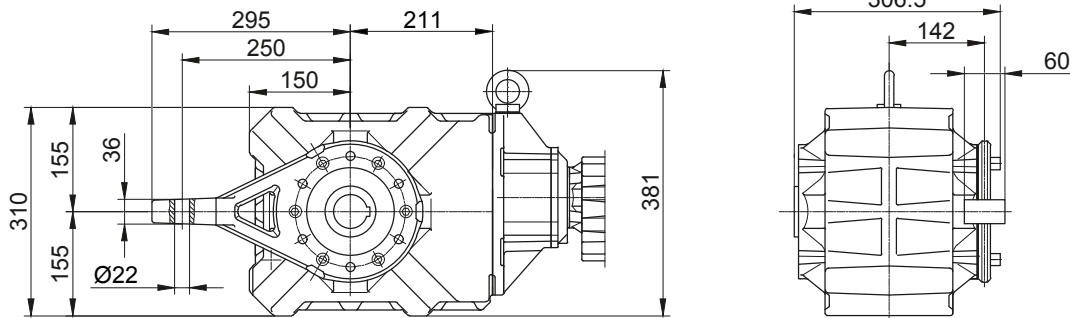
BK-series bevel-geared motors

Dimension - Tandem Gearbox

BK50G10

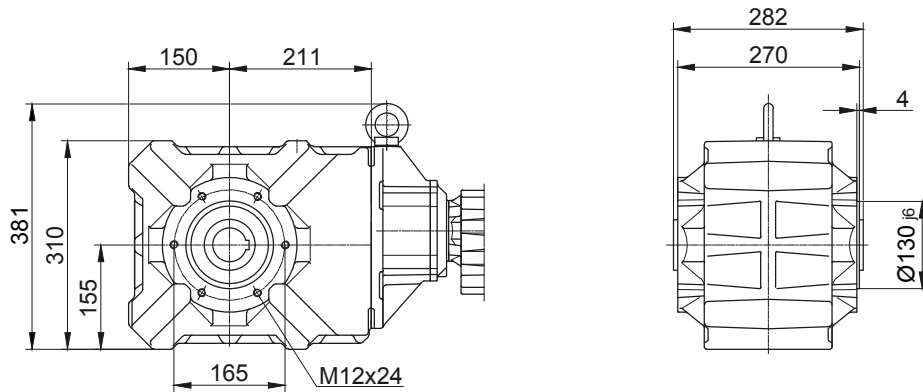
Torque arm at front

Code -5.V/



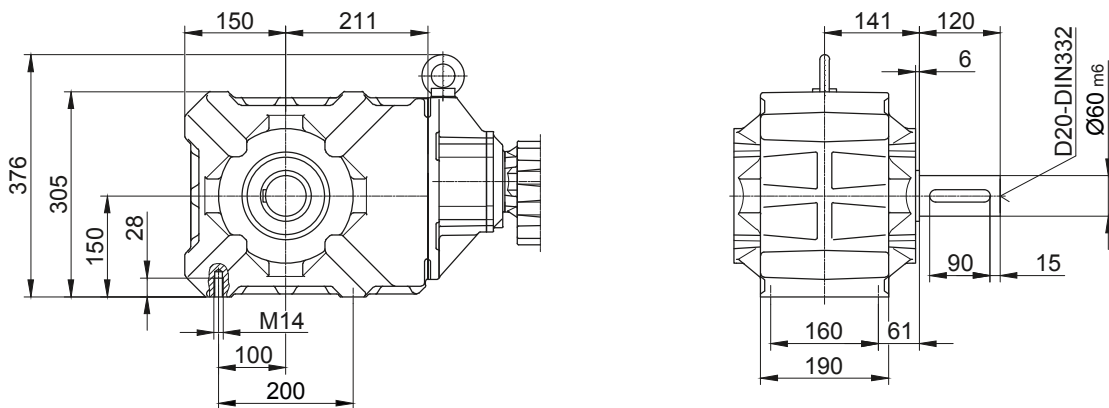
Flange with tapped holes at front

Code -7.V/



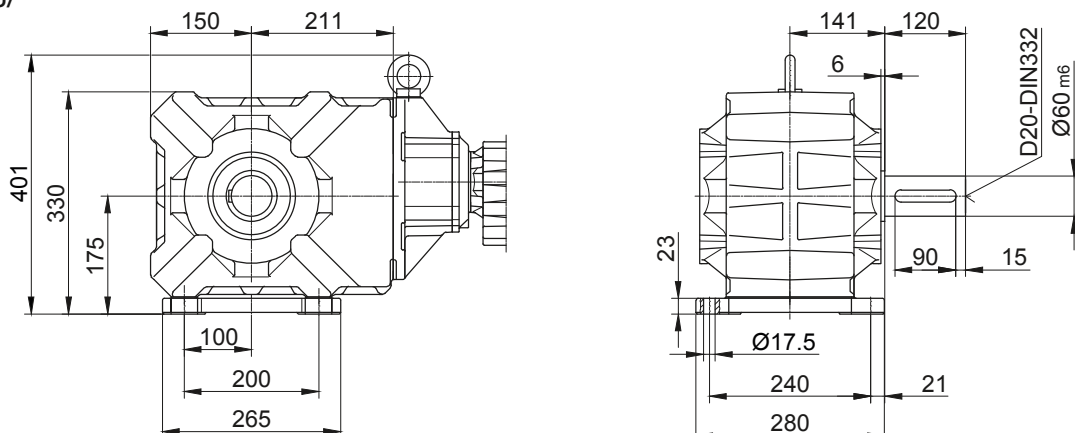
Foot with tapped holes at bottom

Code -6.U/



Foot with clearance holes at bottom

Code -1.U/



The actual gearbox design can vary from the geometry shown. Generate drive specific 3D and 2D geometries under www.BauerCat.com.

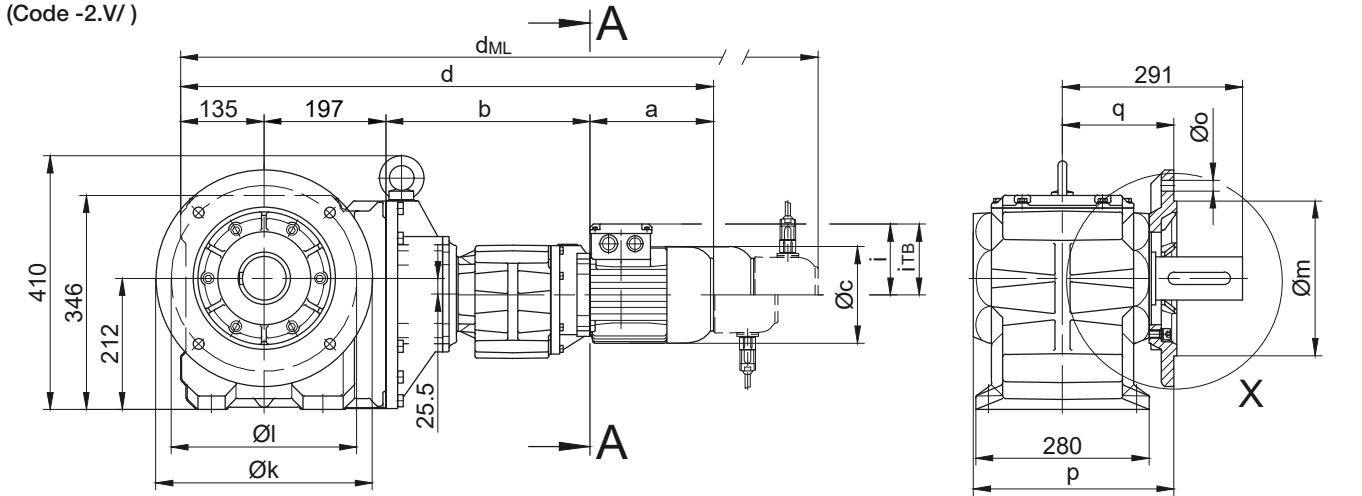
BK-series bevel-geared motors

Dimension - Tandem Gearbox

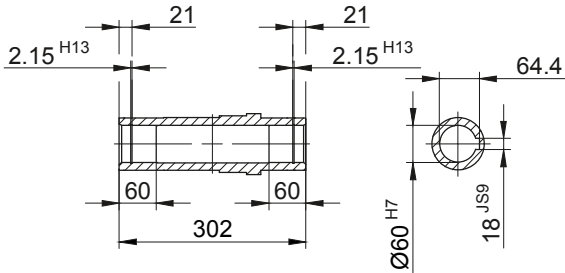
BK60G20

Flange with clearance holes at front

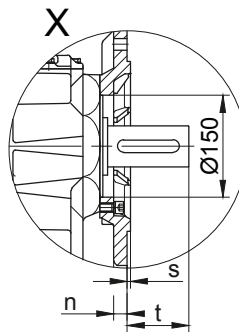
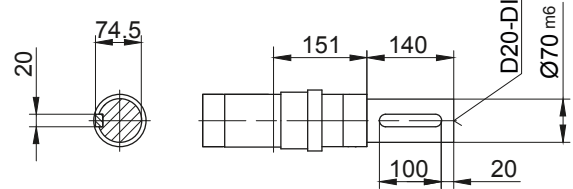
Code -3.V/
(Code -2.V/)



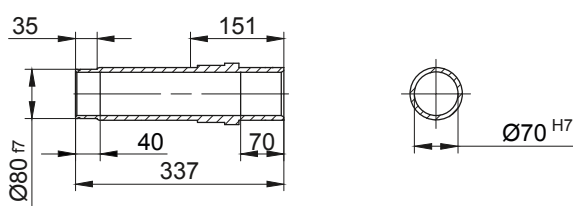
Code -4/



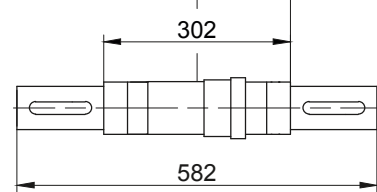
Code -1/



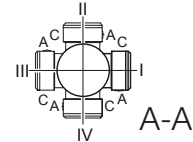
Code -5/



Code -3/



Standard



Flange Dimensions		k	l	m	n	o	p	q	s	t
BK60..	Code -3.V/	350	300	250	20	17,5	324	180	5	112
BK60..	Code -2.V/	300	265	230	20	13,5	332	188	4	103

Dimensions in millimetres (mm)

Type	a	b	c	d	i	i _{TB}	Design with motor extensions			
							Brake	Encoder	Brake with Encoder	Back Stop
							d _{ML}	d _{ML}	d _{ML}	d _{ML}
BK60G20-../D..05.A.	170.5	326	123	828.5	101	117	870.5	931	968.5	-
BK60G20-../D..06.A.	170.5	326	123	828.5	99	119	870.5	931	968.5	-
BK60G20-../D..07.A.	190.5	326	123	848.5	99	119	890.5	951	988.5	-
BK60G20-../D..08.A.	199.5	330	156	861.5	114.5	136.5	927.5	973.5	1035	927.5
BK60G20-../D..08.B.	229.5	330	156	891.5	114.5	136.5	957.5	1003.5	1064.5	957.5
BK60G20-../D..09.A.	250.5	344.5	176	927	124	157	1020	1034.5	1124	1020
BK60G20-../D..09.B.	308.5	344.5	176	985	124	157	1078	1092	1182	1078

Dimensions in millimetres (mm)

The actual gearbox design can vary from the geometry shown. Generate drive specific 3D and 2D geometries under www.BauerCat.com.

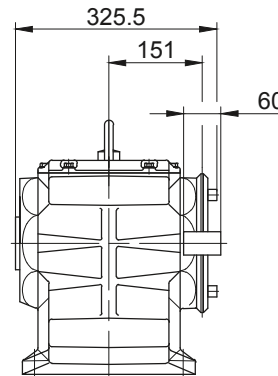
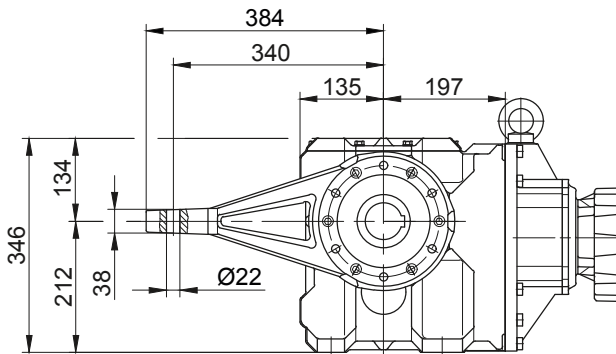
BK-series bevel-gear motors

Dimension - Tandem Gearbox

BK60G20

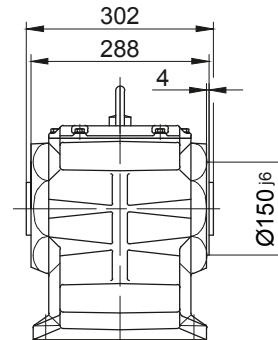
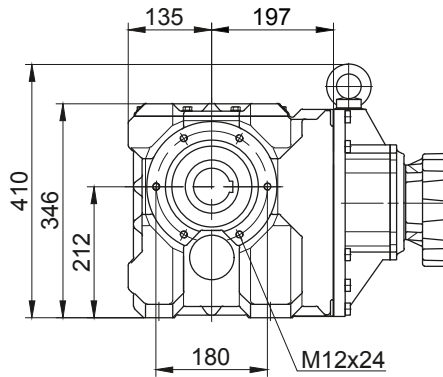
Torque arm at front

Code -5.V/



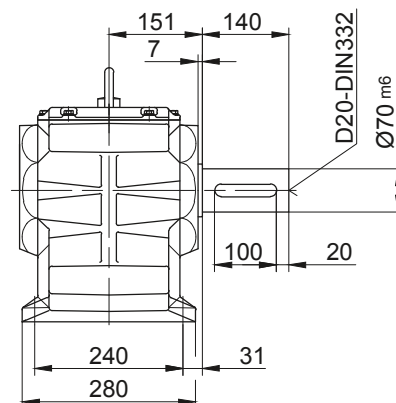
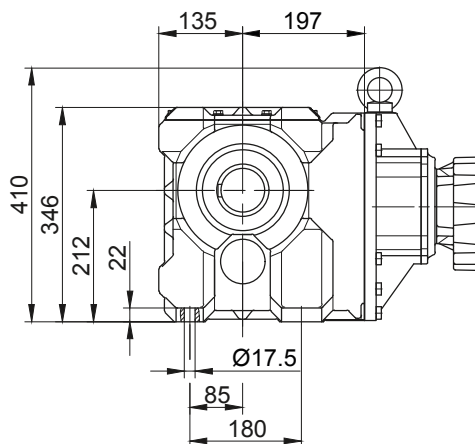
Flange with tapped holes at front

Code -7.V/



Foot with clearance holes at bottom

Code -1.U/



12

BK-series bevel-geared motors

Dimension - Tandem Gearbox

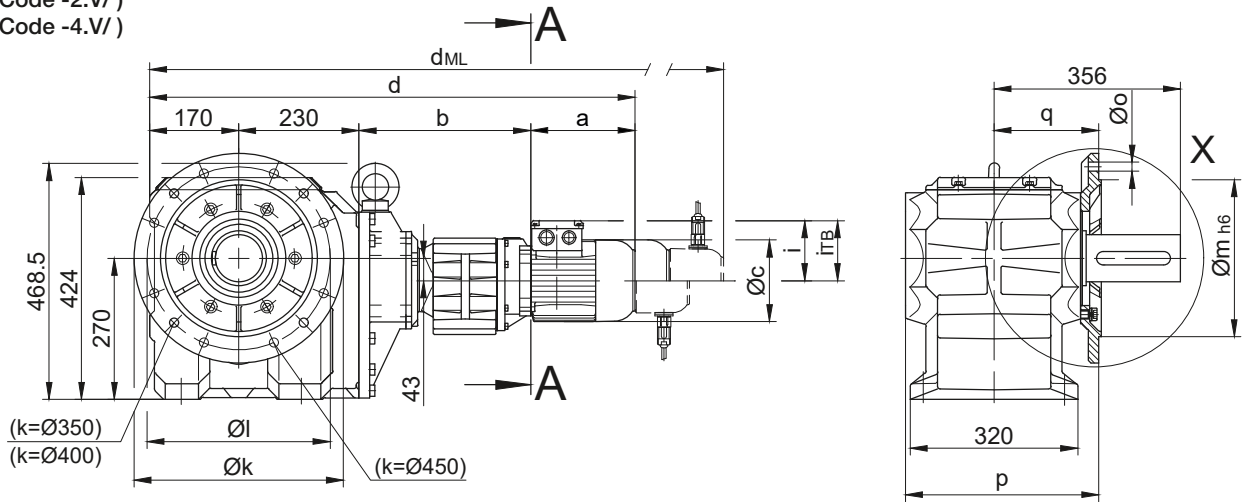
BK70G20

Flange with clearance holes at front

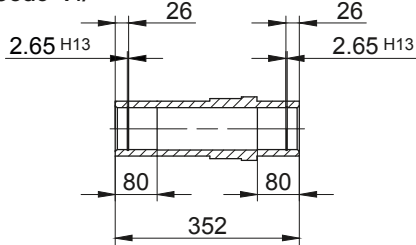
Code -3.V/

(Code -2.V/)

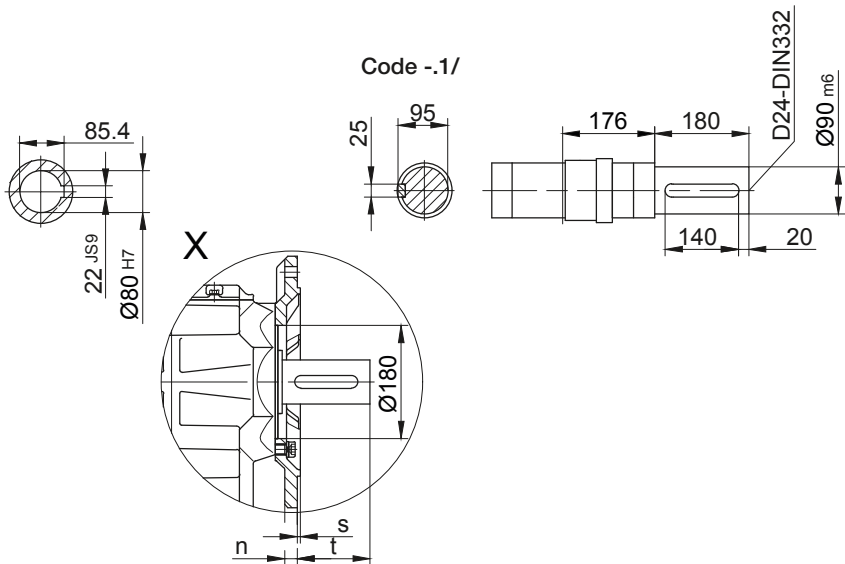
(Code -4.V/)



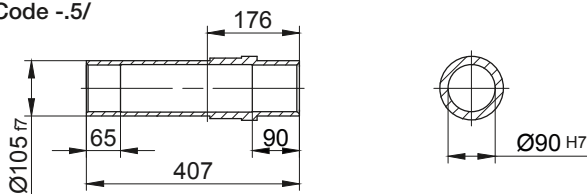
Code -.4/



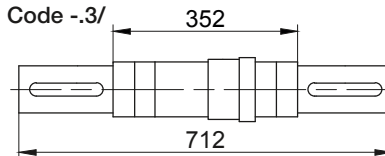
Code -.1/



Code -.5/



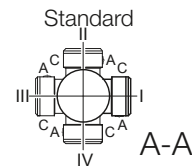
Code -.3/



Flange Dimensions

Type	Design	k	l	m	n	o	p	q	s	t
BK70..	Code -3.V/	400	350	300	20	4 x 17,5	369	200	5	157
BK70..	Code -2.V/	350	300	250	20	4 x 17,5	369	200	5	157
BK70..	Code -4.V/	450	400	350	22	4 x 17,5	379	210	5	147

Dimensions in millimetres (mm)



Type	a	b	c	d	i	i _{TB}	Design with motor extensions			
							Brake	Encoder	Brake with Encoder	Back Stop
							d _{ML}	d _{ML}	d _{ML}	d _{ML}
BK70G20-../D..05.A.	170.5	326	123	896.5	101	117	938.5	999	1036.5	-
BK70G20-../D..06.A.	170.5	326	123	896.5	99	119	938.5	999	1036.5	-
BK70G20-../D..07.A.	190.5	326	123	916.5	99	119	958.5	1019	1056.5	-
BK70G20-../D..08.A.	199.5	330	156	929.5	114.5	136.5	995.5	1041.5	1103	995.5
BK70G20-../D..08.B.	229.5	330	156	959.5	114.5	136.5	1025.5	1071.5	1132.5	1025.5
BK70G20-../D..09.A.	250.5	344.5	176	995	124	157	1088	1102.5	1192	1088
BK70G20-../D..09.B.	308.5	344.5	176	1053	124	157	1146	1160	1250	1146

Dimensions in millimetres (mm)

The actual gearbox design can vary from the geometry shown. Generate drive specific 3D and 2D geometries under www.BauerCat.com.

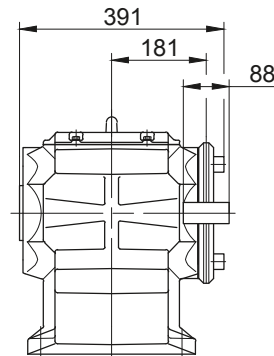
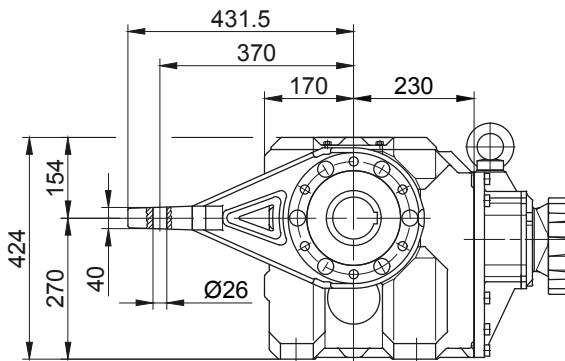
BK-series bevel-geared motors

Dimension - Tandem Gearbox

BK70G20

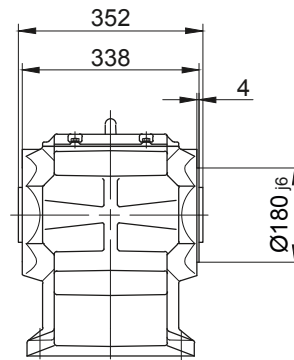
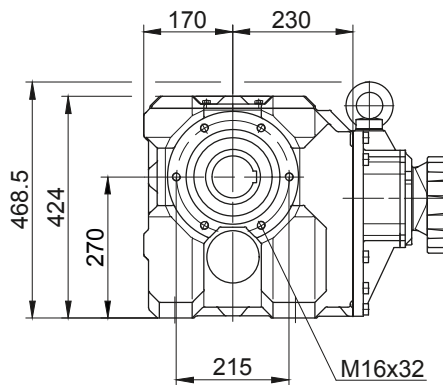
Torque arm at front

Code -5.V/



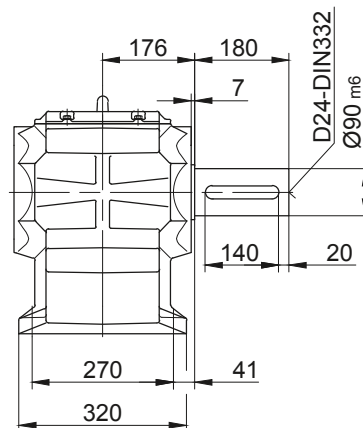
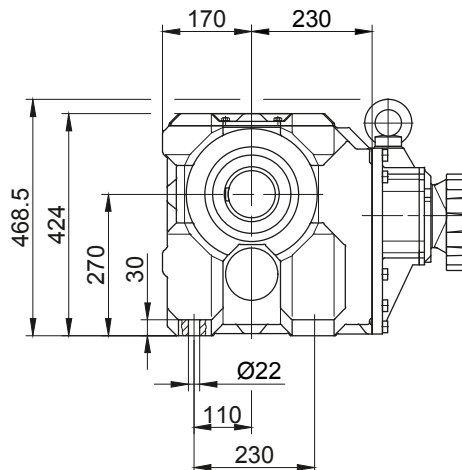
Flange with tapped holes at front

Code -7.V/

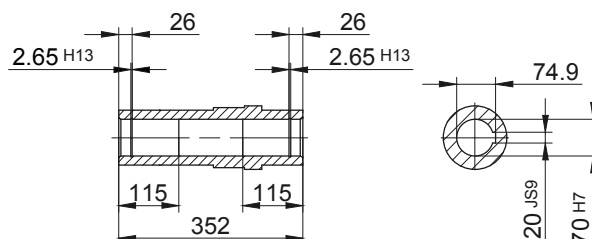


Foot with clearance holes at bottom

Code -1.U/



Code -4/K70



The actual gearbox design can vary from the geometry shown. Generate drive specific 3D and 2D geometries under www.BauerCat.com.

BK-series bevel-geared motors

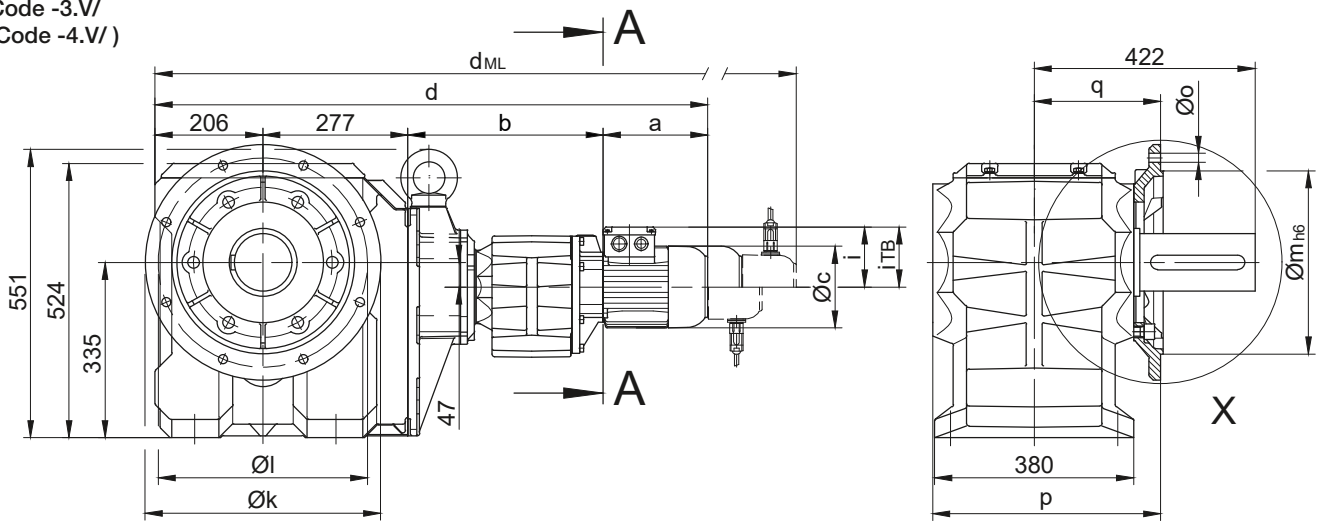
Dimension - Tandem Gearbox

BK80G40

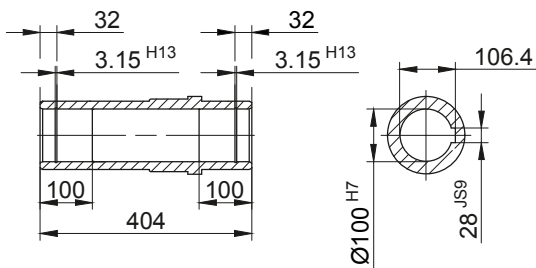
Flange with clearance holes at front

Code -3.V/

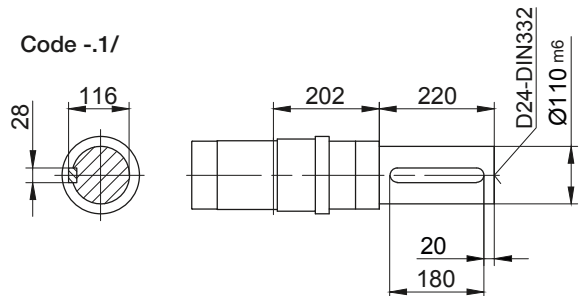
(Code -4.V/)



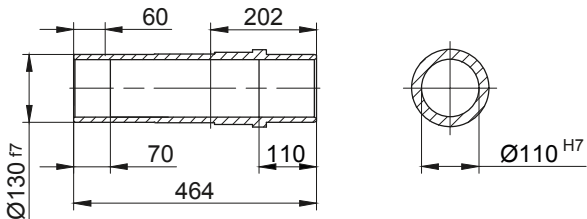
Code -4/



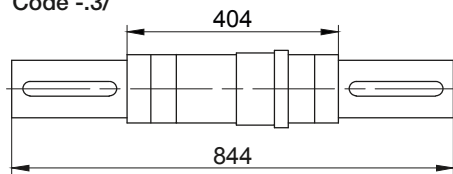
Code -1/



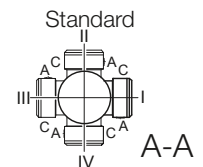
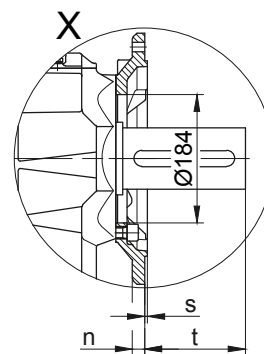
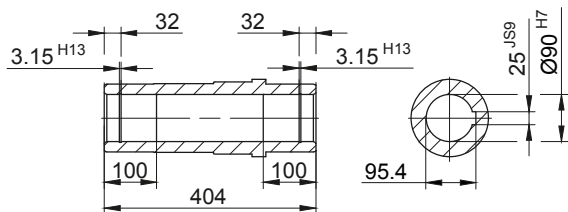
Code -5/



Code -3/



Code -4/K90



Flange Dimensions		k	l	m	n	o	p	q	s	t
Type	Design									
BK80..	Code -3.V/	450	400	350	22	17,5	439	245	5	178
BK80..	Code -4.V/	550	500	450	22	17,5	444	250	5	173

Dimensions in millimetres (mm)

Type	a	b	c	d	i	i _{TB}	Design with motor extensions			
							Brake	Encoder	Brake with Encoder	Back Stop
							d _{ML}	d _{ML}	d _{ML}	d _{ML}
BK80G40-../D..08.A.	199.5	357	156	1039.5	114.5	136.5	1105.5	1151.5	1213	1105.5
BK80G40-../D..08.B.	229.5	357	156	1069.5	114.5	136.5	1135.5	1181.5	1242.5	1135.5
BK80G40-../D..09.A.	250.5	371.5	176	1105	124	157	1198	1212.5	1302	1198
BK80G40-../D..09.B.	308.5	371.5	176	1163	124	157	1256	1270	1360	1256
BK80G40-../D..11.A.	319	378	218	1180	165	176	1278	1287.5	1380	1278
BK80G40-../D..11.B.	387	378	218	1248	165	176	1344	1355.5	1448	1344

Dimensions in millimetres (mm)

The actual gearbox design can vary from the geometry shown. Generate drive specific 3D and 2D geometries under www.BauerCat.com.

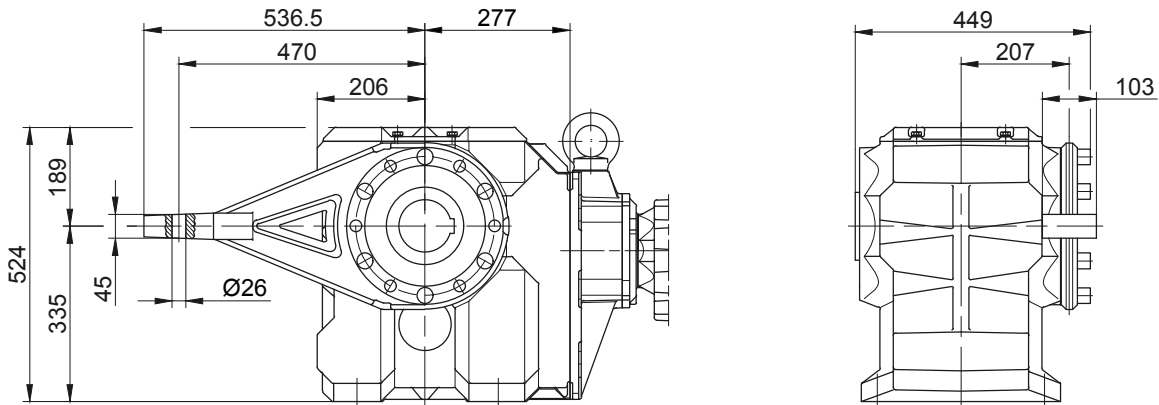
BK-series bevel-geared motors

Dimension - Tandem Gearbox

BK80G40

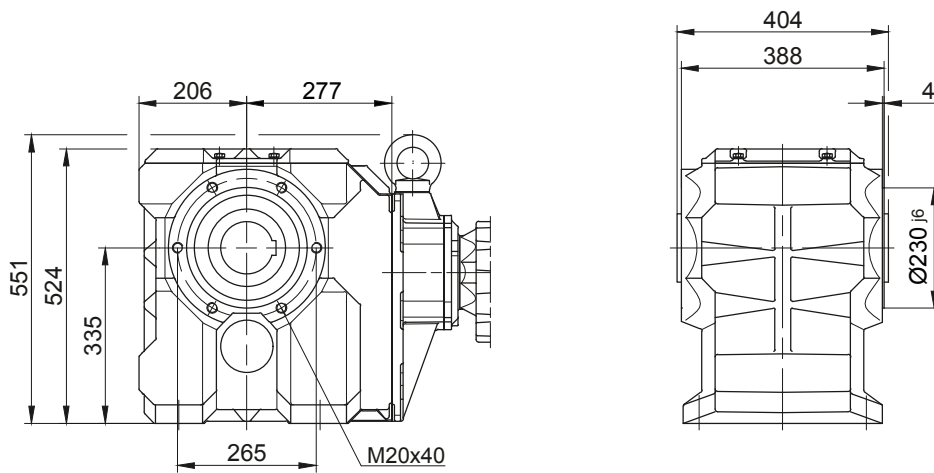
Torque arm at front

Code -5.V/



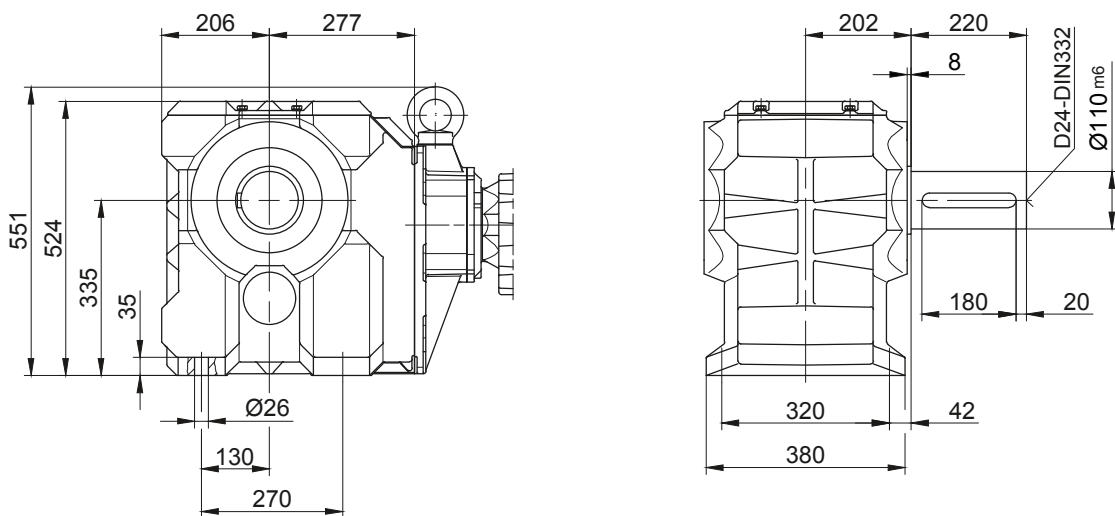
Flange with tapped holes at front

Code -7.V/



Foot with clearance holes at bottom

Code -1.U/



The actual gearbox design can vary from the geometry shown. Generate drive specific 3D and 2D geometries under www.BauerCat.com.

BK-series bevel-geared motors

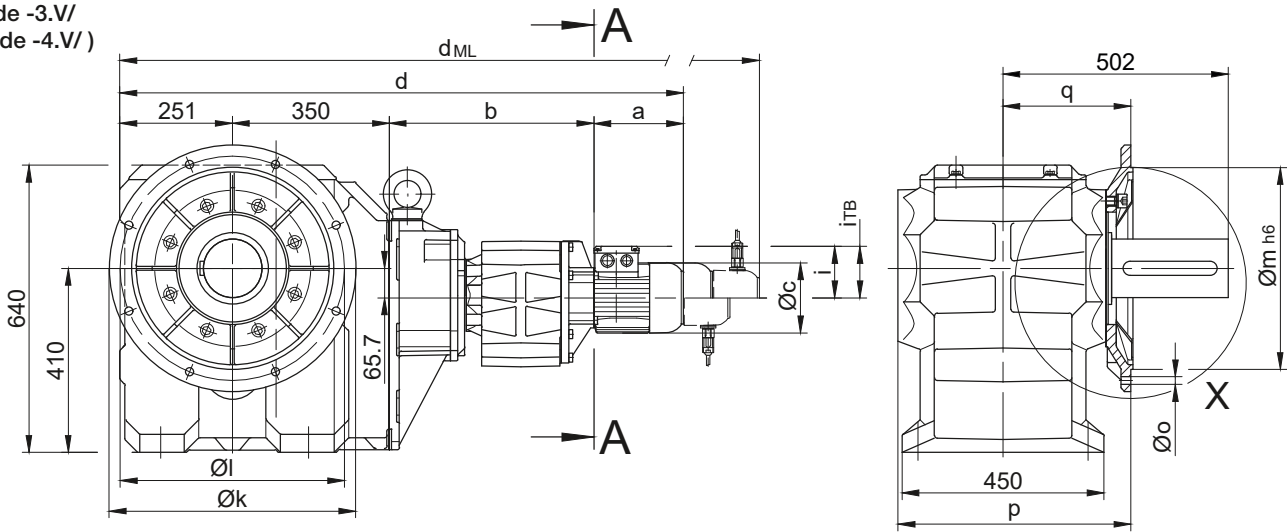
Dimension - Tandem Gearbox

BK90G50

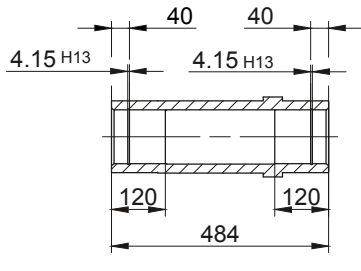
Flange with clearance holes at front

Code -3.V/

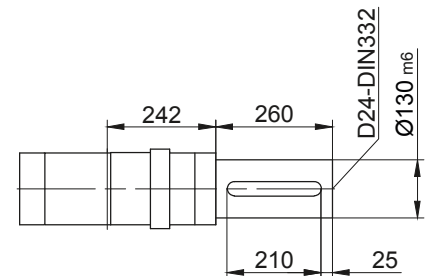
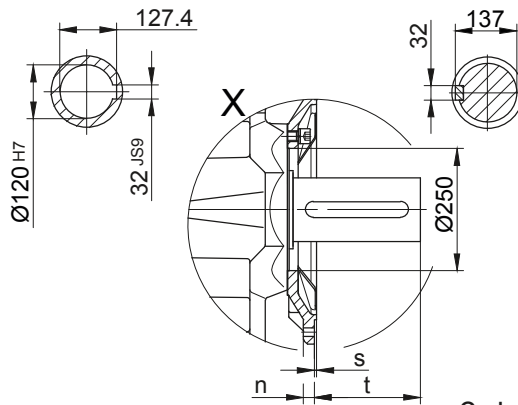
(Code -4.V/)



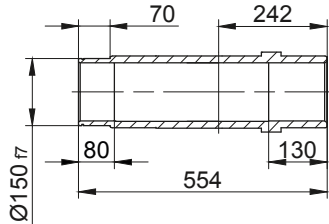
Code -4/



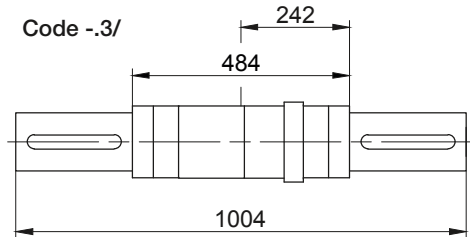
Code -1/



Code -5/



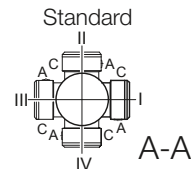
Code -3/



Flange Dimensions

Type	Design	k	l	m	n	o	p	q	s	t
BK90..	Code -3.V/	550	500	450	22	17,5	519	285	5	218
BK90..	Code -4.V/	660	600	550	25	22	513	279	6	225

Dimensions in millimetres (mm)



Type	a	b	c	d	i	Design with motor extensions				
						i _{TB}	Brake	Encoder	Brake with Encoder	Back Stop
							d _{ML}	d _{ML}	d _{ML}	d _{ML}
BK90G50-../D..08.A.	199.5	427	156	1227.5	114.5	136.5	1293.5	1339.5	1401	1293.5
BK90G50-../D..08.B.	229.5	427	156	1257.5	114.5	136.5	1323.5	1369.5	1430.5	1323.5
BK90G50-../D..09.A.	250.5	441.5	176	1293	124	157	1386	1400.5	1490	1386
BK90G50-../D..09.B.	308.5	441.5	176	1351	124	157	1444	1458	1548	1444
BK90G50-../D..11.A.	319	448	218	1368	165	176	1466	1475.5	1568	1466
BK90G50-../D..11.B.	387	448	218	1436	165	176	1532	1543.5	1636	1532
BK90G50-../D..13.A.	393	461	258	1455	217	217	1566	1562	1667	1563
BK90G50-../D..16.B.	454.5	475	310	1530.5	243	243	1674	1637.5	1777.5	1674
BK90G50-../D..18.B.	542	497	348	1640	288	288	1789.5	1745.5	1893	1789.5

Dimensions in millimetres (mm)

The actual gearbox design can vary from the geometry shown. Generate drive specific 3D and 2D geometries under www.BauerCat.com.

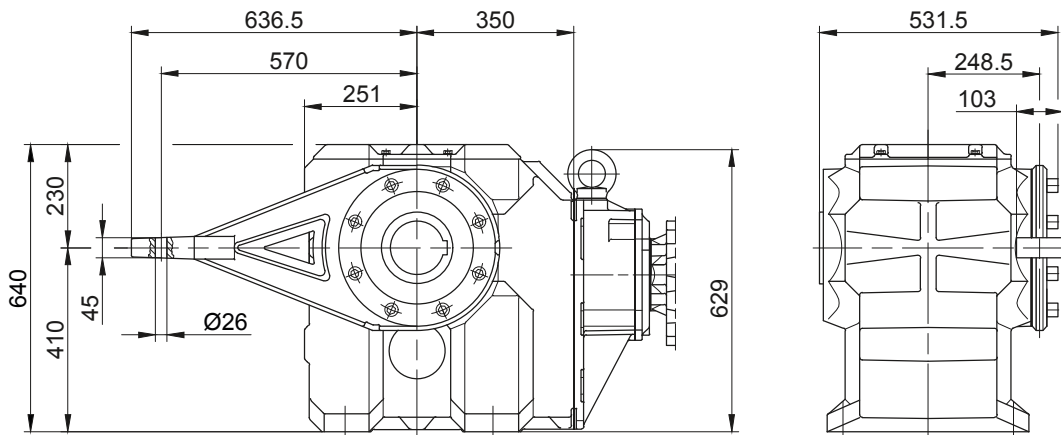
BK-series bevel-gear motors

Dimension - Tandem Gearbox

BK90G50

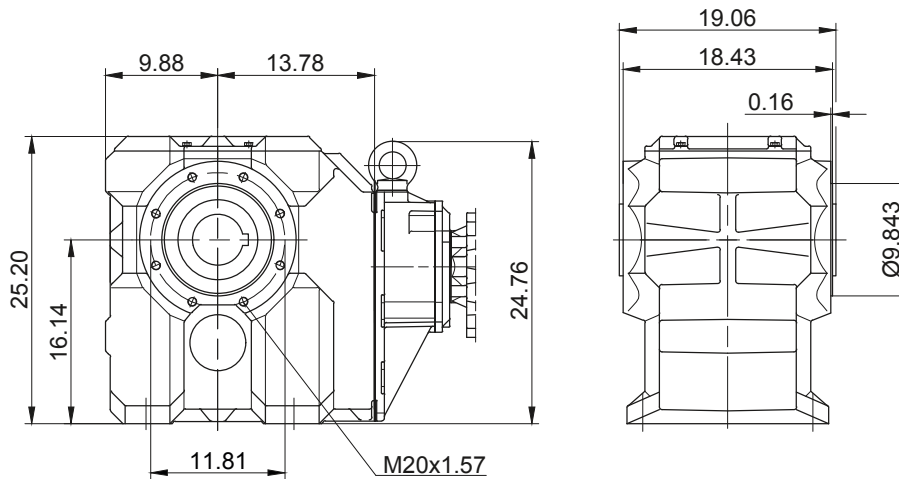
Torque arm at front

Code -5.V/



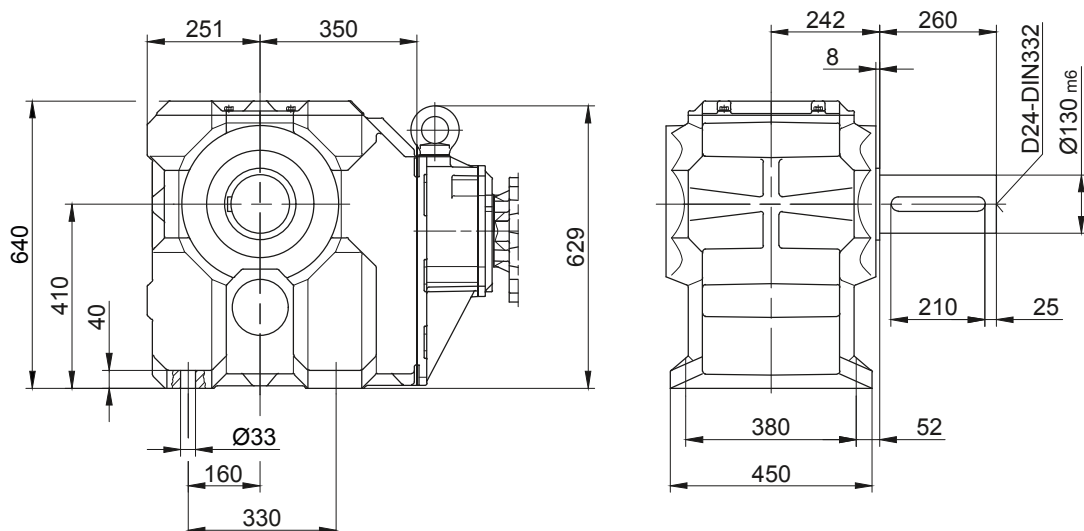
Flange with tapped holes at front

Code -7.V/



Foot with clearance holes at bottom

Code -1.U/



The actual gearbox design can vary from the geometry shown. Generate drive specific 3D and 2D geometries under www.BauerCat.com.

Energy Efficient Geared Motors

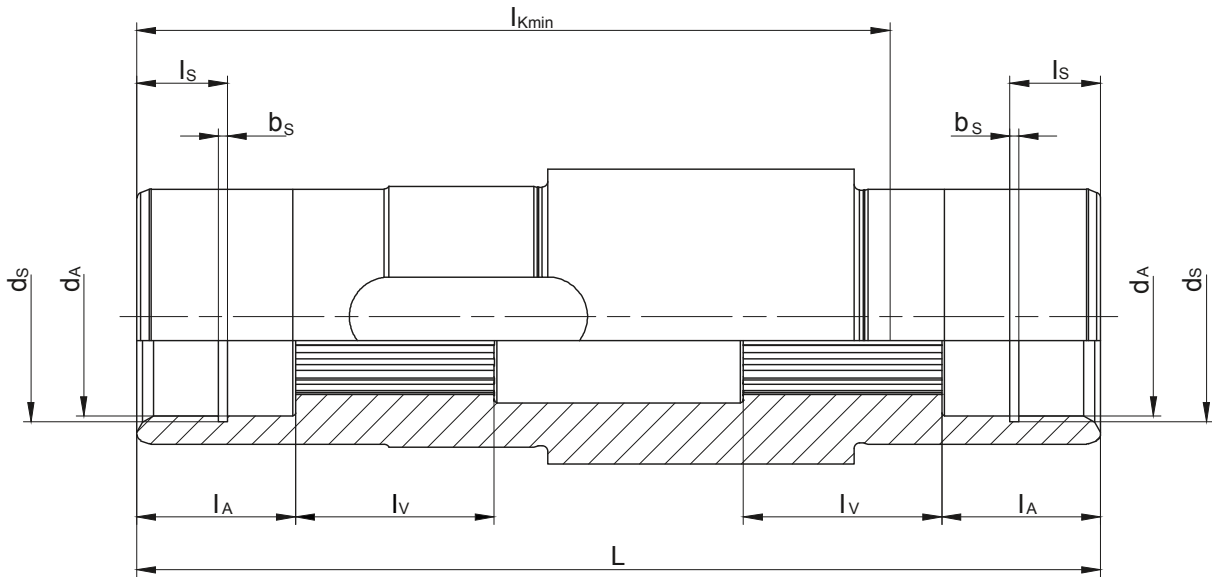
AC Line Operated / European Union

12

BK-series bevel-geared motors

Additional Dimension Sheet

Splined shaft



Type	Splined shaft acc. to DIN 5480	d_A	l_A	l_v	l_{kmin}	L	d_s	l_s	b_s
BK10	N30x1.25x22x9H	35 ^{G7}	28	35	132	170	37 ^{H12}	16	1.6 ^{H13}
BK20	N35x2x16x9H	36 ^{G7}	28	35	154	192	37 ^{H12}	16	1.6 ^{H13}
BK30	N40x2x18x9H	41 ^{G7}	25	42	179	224	42.5 ^{H12}	17	1.85 ^{H13}
BK40	N50x2x24x9H	51 ^{G7}	25	49	214	260	53 ^{H12}	17	2.15 ^{H13}
BK50	N60x2x28x9H	61 ^{G7}	25	58	229	282	63 ^{H12}	17	2.15 ^{H13}
BK60	N70x2x34x9H	72 ^{G7}	25	72	248	302	75 ^{H12}	17	2.65 ^{H13}
BK70	N85x3x27x9H	86 ^{G7}	26	100	295	352	88.5 ^{H12}	17	3.15 ^{H13}
BK80	N110x3x35x9H	112 ^{G7}	60	90	335	404	116 ^{H12}	30	4.15 ^{H13}
BK90	N130x5x24x9H	131.5 ^{G7}	60	110	410	484	134 ^{H12}	30	4.15 ^{H13}

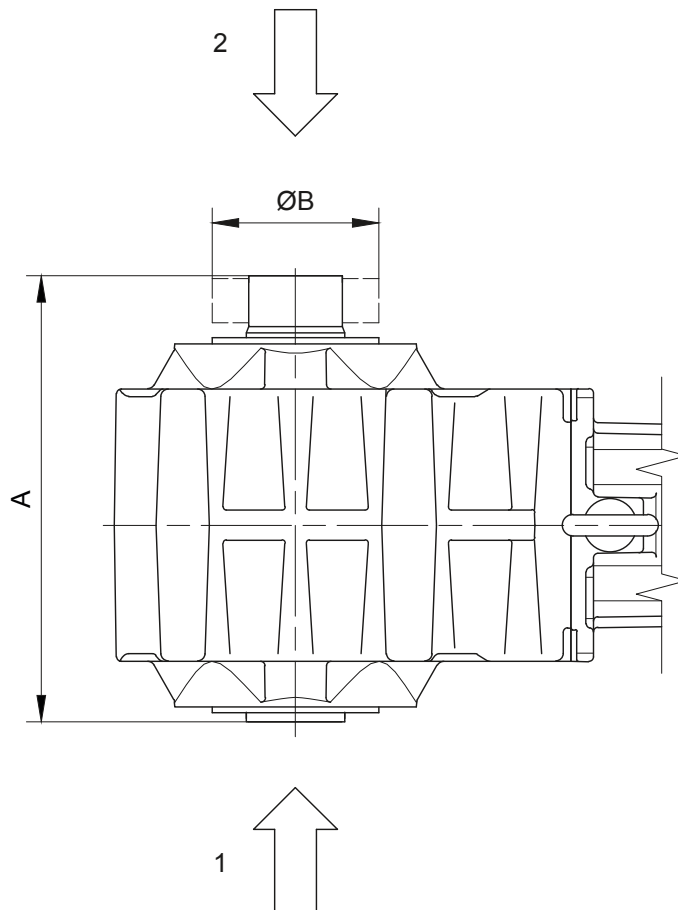
Dimensions in millimetres (mm)

BK-series bevel-gear motors

Additional Dimension Sheet

Shrink disc couplings (SSV)

(Code BK10-.5/...)
(Code BK10Z-.5/...)



- 1 Gear side FRONT (V)
- 2 Gear side REAR (H)

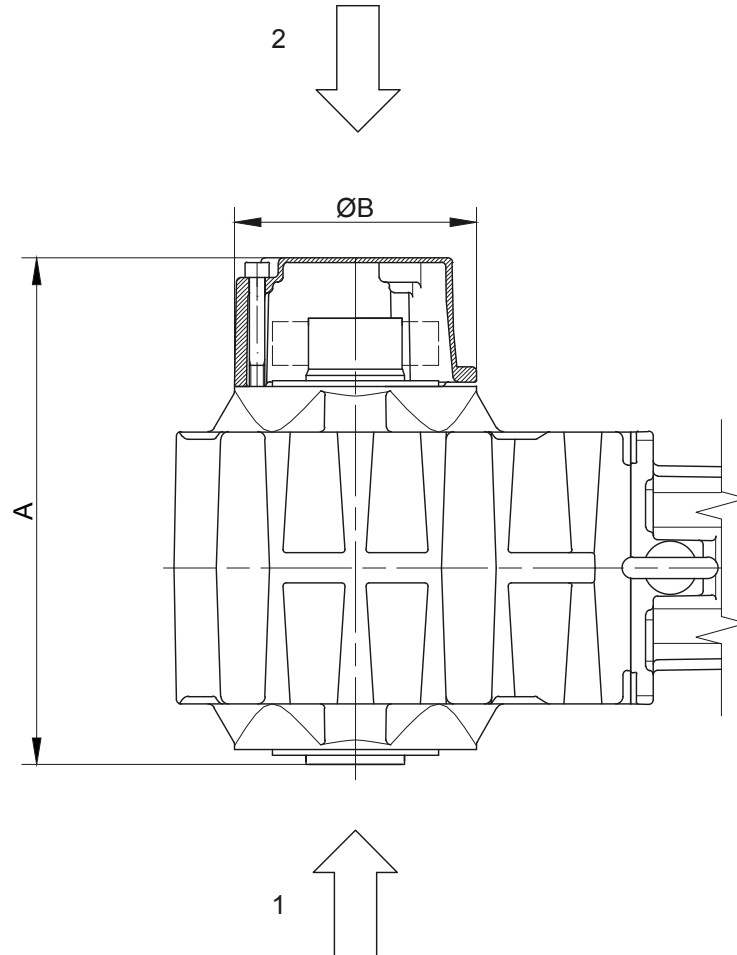
Type	SSV Ringfeder	SSV STÜWE	A	B
BK06	RfN 4161 024x050	HSD 24-22x24	118	50
BK10	RfN 4161 036x072	HSD 36-22x36	195	72
BK20	RfN 4161 044x080	HSD 44-22x44	222	80
BK30	RfN 4161 050x090	HSD 50-22x50	254	90
BK40	RfN 4161 062x110	HSD 62-22x62	295	110
BK50	RfN 4161 068x115	HSD 68-22x68	317	115
BK60	RfN 4161 080x141	HSD 80-22x80	337	140
BK70	RfN 4161 105x185	HSD 110-22x105	407	185
BK80	RfN 4161 130x215	HSD 125-22x130	464	215
BK90	RfN 4161 150x263	HSD 155-22x150	554	263
Dimensions in millimetres (mm)				

BK-series bevel-gear motors

Additional Dimension Sheet

Shrink disc connection with cover (SSV)

(Code BK10-.5A/...)
(Code BK10Z-.5A/...)



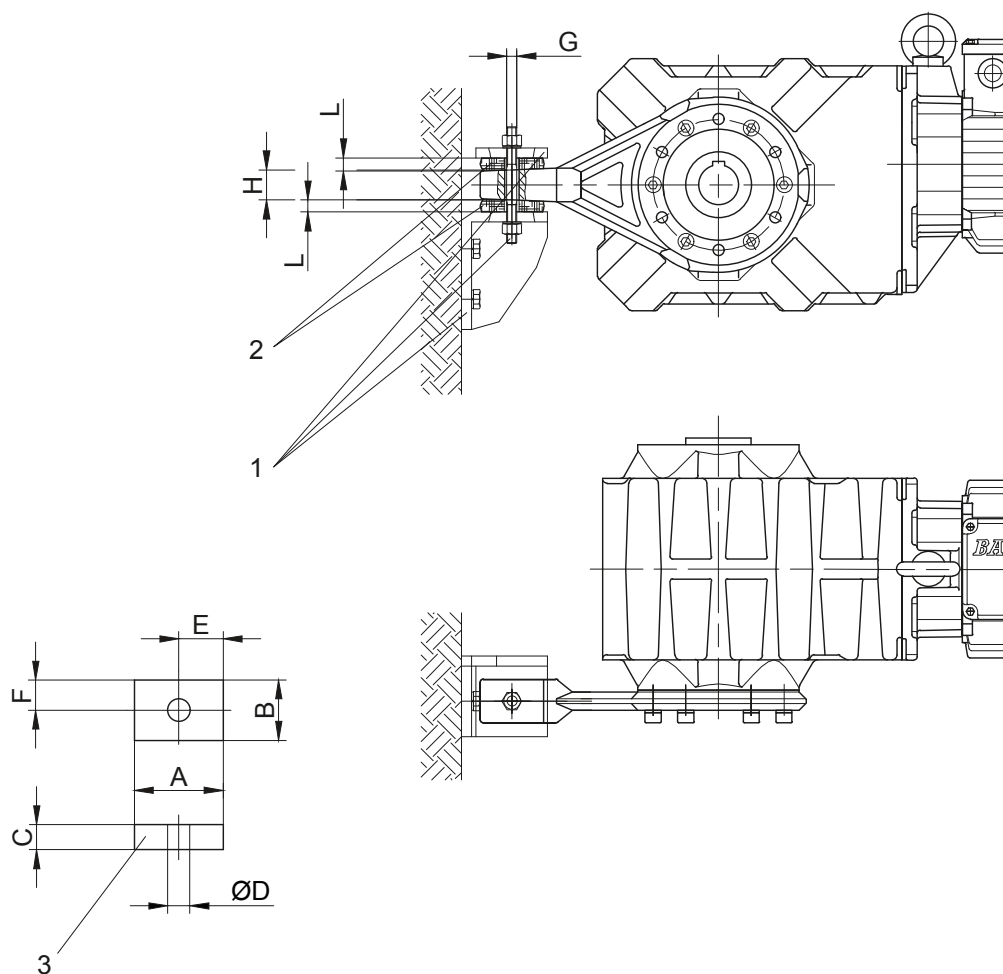
- 1 Gear side FRONT (M)
2 Gear side REAR (H)

Type	SSV Ringfeder	SSV STÜWE	A	B
BK10	RfN 4161 036x072	HSD 36-22x36	217	120
BK20	RfN 4161 044x080	HSD 44-22x44	270	140
BK30	RfN 4161 050x090	HSD 50-22x50	300	160
BK40	RfN 4161 062x110	HSD 62-22x62	335	160
BK50	RfN 4161 068x115	HSD 68-22x68	329	200
BK60	RfN 4161 080x141	HSD 80-22x80	386	210
BK70	RfN 4161 105x185	HSD110-22x105	465	250
BK80	RfN 4161 130x215	HSD125-22x130	502	300
BK90	RfN 4161 150x263	HSD155-22x150	602	350
Dimensions in millimetres (mm)				

BK-series bevel-gear motors

Additional Dimension Sheet

Rubber buffer for torque arm



- 1 not included in delivery
- 2 Rubber buffers pretensioned

- 3 Rubber buffer
- G maximaler Schraubendurchmesser

Material: Natural rubber
Hardness 50 +/-5 Shore A

Dimensions of the transverse hole:
see dimensioned sketch of the respective shaft mounted gearbox

Gear	Position	A	B	C	D	E	F	G	H	L
BK06	0	30	30	12	12	15	15	M10	10	10
BK08	1	48	32	15	14	24	16	M10	19	13.5
BK10	1	48	32	15	14	24	16	M10	19	13.5
BK17	1	48	32	15	14	24	16	M10	19	13
BK20	1	48	32	15	14	24	16	M10	19	13
BK30	2	63	43	20	14	31.5	21.5	M10	30	17
BK40	2	63	43	20	14	31.5	21.5	M10	30	17
BK50	3	88	60	25	22	44	30	M18	36	21.5
BK60	3	88	60	25	22	44	30	M18	38	21
BK70	4	123	88	30	26	61.5	44	M20	40	25.5
BK80	5	133	103	35	26	66.5	51.5	M20	45	30
BK90	5	133	103	35	26	66.5	51.5	M20	45	29.5

Dimensions in millimetres (mm)

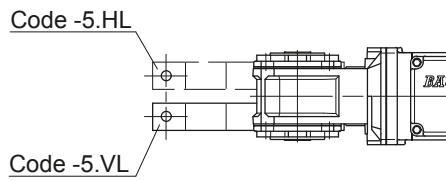
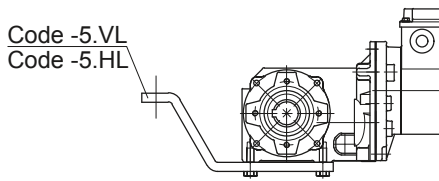
The actual gearbox design can vary from the geometry shown. Generate drive specific 3D and 2D geometries under www.BauerCat.com.

BK-series bevel-geared motors

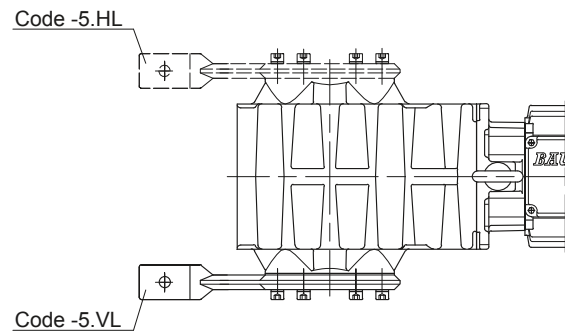
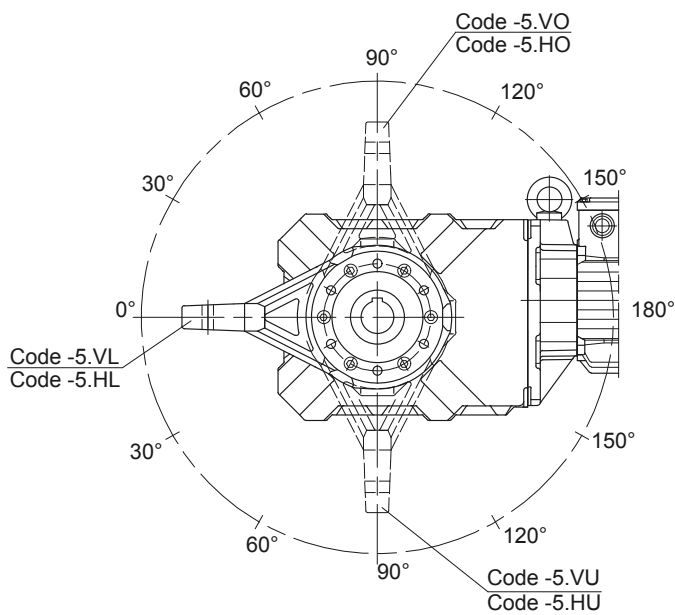
Additional Dimension Sheet

Position of the torque arm

BK06



BK08 - BK90



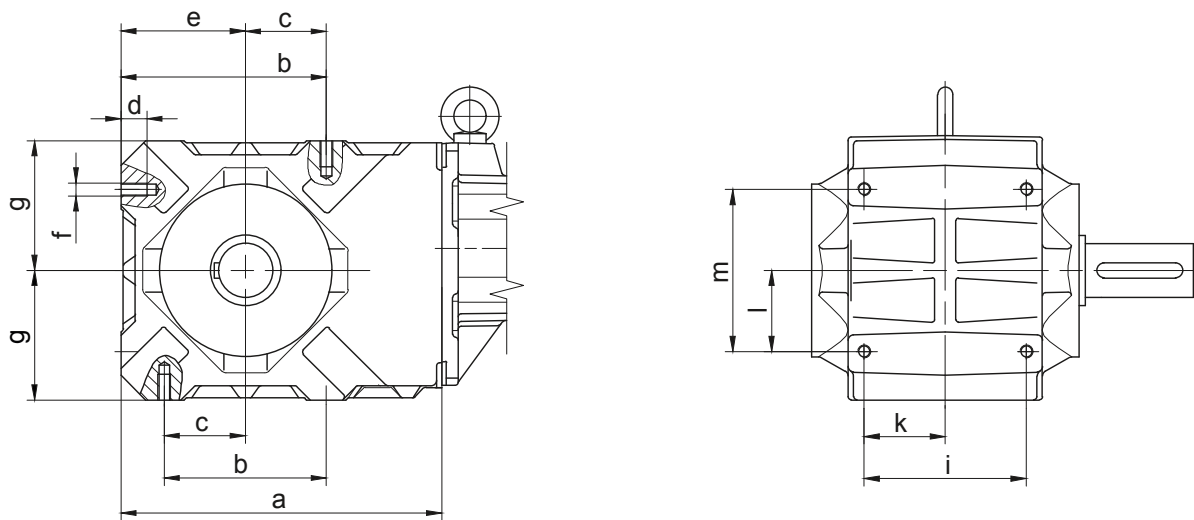
Gear	Position						
	VL/HL	VO/HO/VU/HU					VR/HR
BK06	0°	-	-	-	-	-	-
BK08	0°	30°	60°	90°	120°	-	-
BK10	0°	30°	60°	90°	120°	150°	-
BK17	0°	30°	60°	90°	120°	-	-
BK20	0°	30°	60°	90°	120°	150°	-
BK30	0°	30°	60°	90°	120°	150°	-
BK40	0°	30°	60°	90°	120°	150°	-
BK50	0°	30°	60°	90°	120°	150°	-
BK60	0°	30°	60°	90°	120°	150°	-
BK70	0°	30°	60°	90°	120°	150°	-
BK80	0°	30°	60°	90°	120°	150°	-
BK90	0°	45°		90°	135°		-

The actual gearbox design can vary from the geometry shown. Generate drive specific 3D and 2D geometries under www.BauerCat.com.

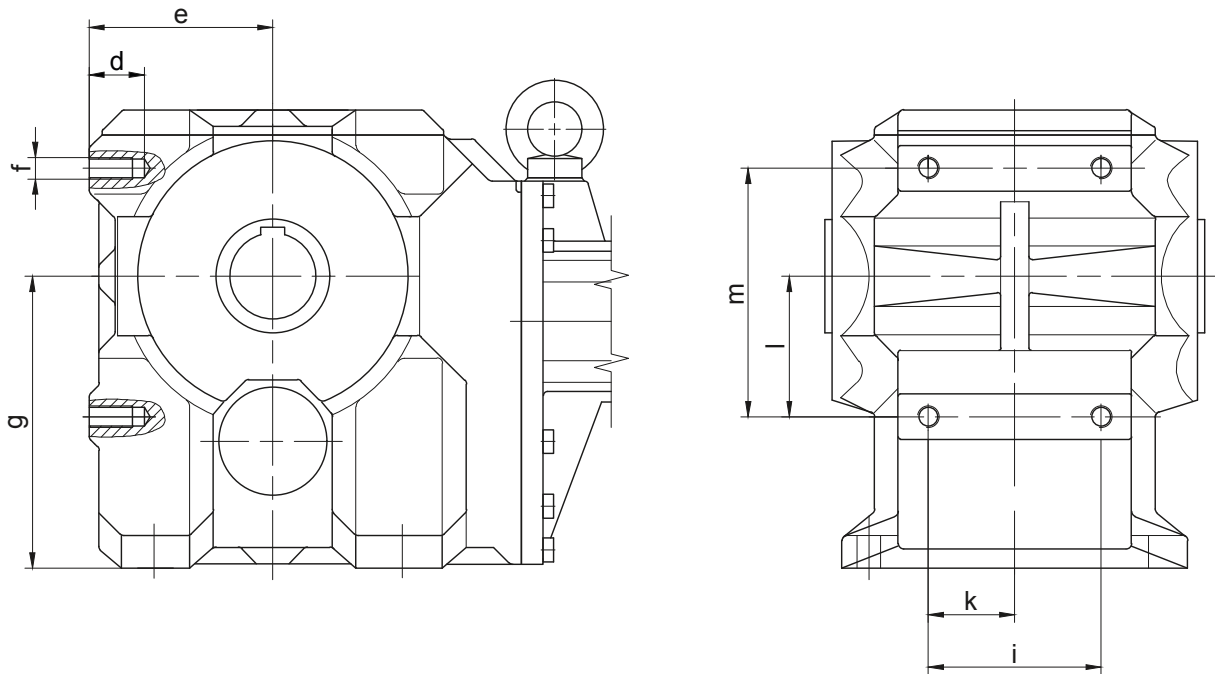
BK-series bevel-gear motors

Additional Dimension Sheet

Foot with tapped holes



Type	a	b	c	d	e	f	g	i	k	l	m
BK10-BK10Z	202	90	45	16	78	M8	80	95	47.5	45	90
BK20-BK20Z	242	110	55	20	95	M10	100	105	52.5	55	110
BK30-BK30Z	266	125	62.5	24	105	M12	110	120	60	62.5	125
BK40-BK40Z	297	150	75	24	115	M12	120	150	75	75	150
BK50-BK50Z	356	200	100	28	145	M14	150	160	80	100	200



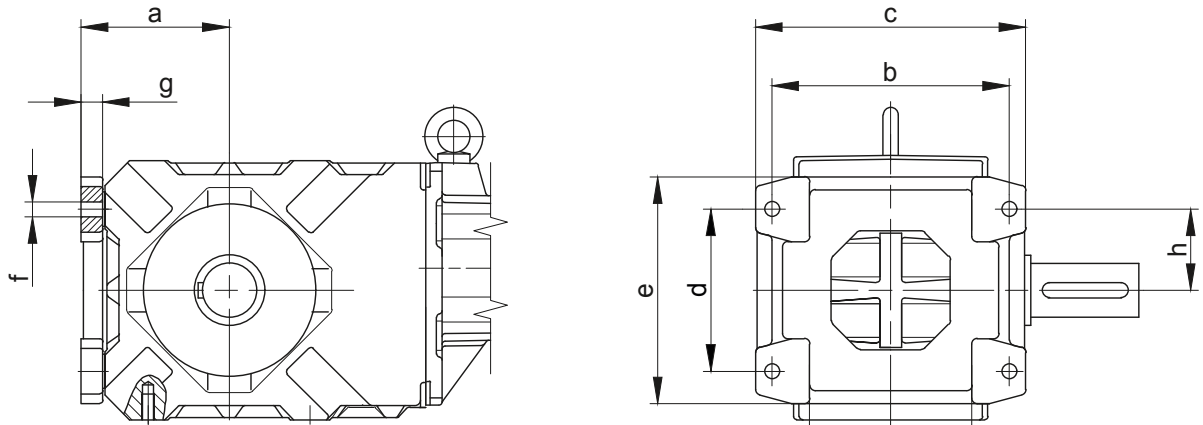
Type	a	b	c	d	e	f	g	i	k	l	m
BK60-BK60Z	-	-	-	40	130	M20	212	160	80	145	230
BK70-BK70Z	-	-	-	40	165	M20	270	160	80	130	230
BK80-BK80Z	-	-	-	60	200	M30	335	210	105	240	360
BK90-BK90Z	-	-	-	60	245	M30	410	210	105	215	360

The actual gearbox design can vary from the geometry shown. Generate drive specific 3D and 2D geometries under www.BauerCat.com.

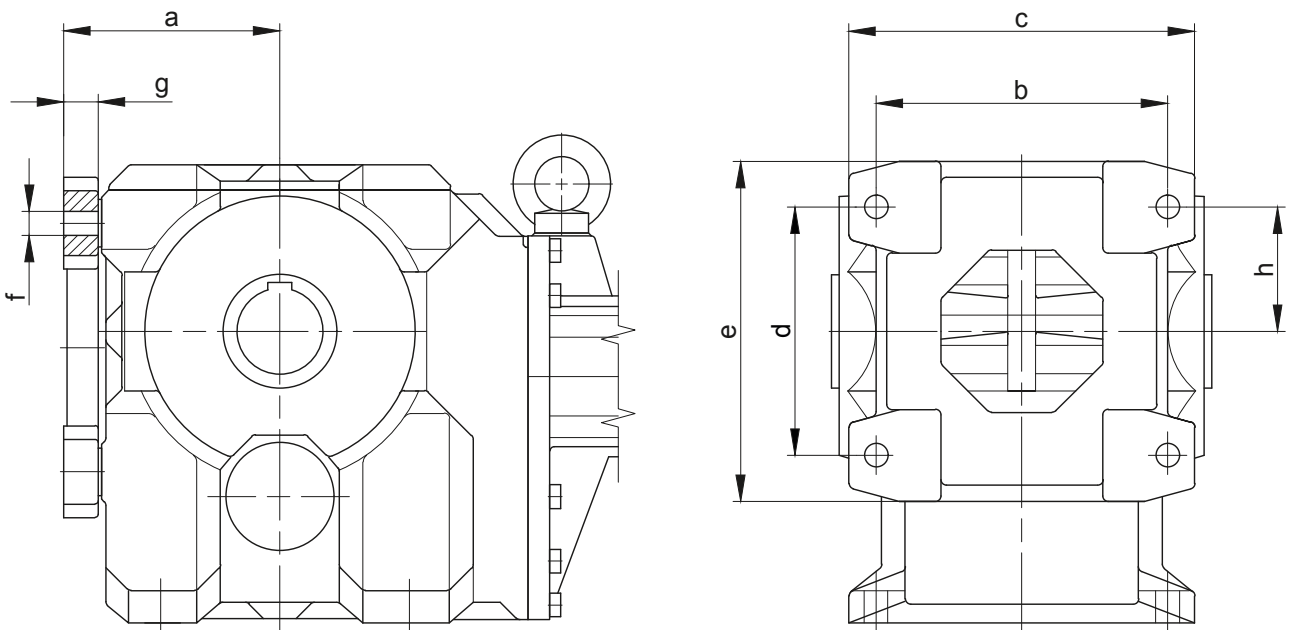
BK-series bevel-gear motors

Additional Dimension Sheet

Foot plate with clearance holes



Type	a	b	c	d	e	f	g	h
BK10-BK10Z	96	145	165	90	130	Ø9	16	45
BK20-BK20Z	115	165	195	110	160	Ø11	18	55
BK30-BK30Z	127	190	220	125	185	Ø13.5	20	62.5
BK40-BK40Z	137	220	250	150	210	Ø13.5	20	75
BK50-BK50Z	170	240	280	200	265	Ø17.5	23	100



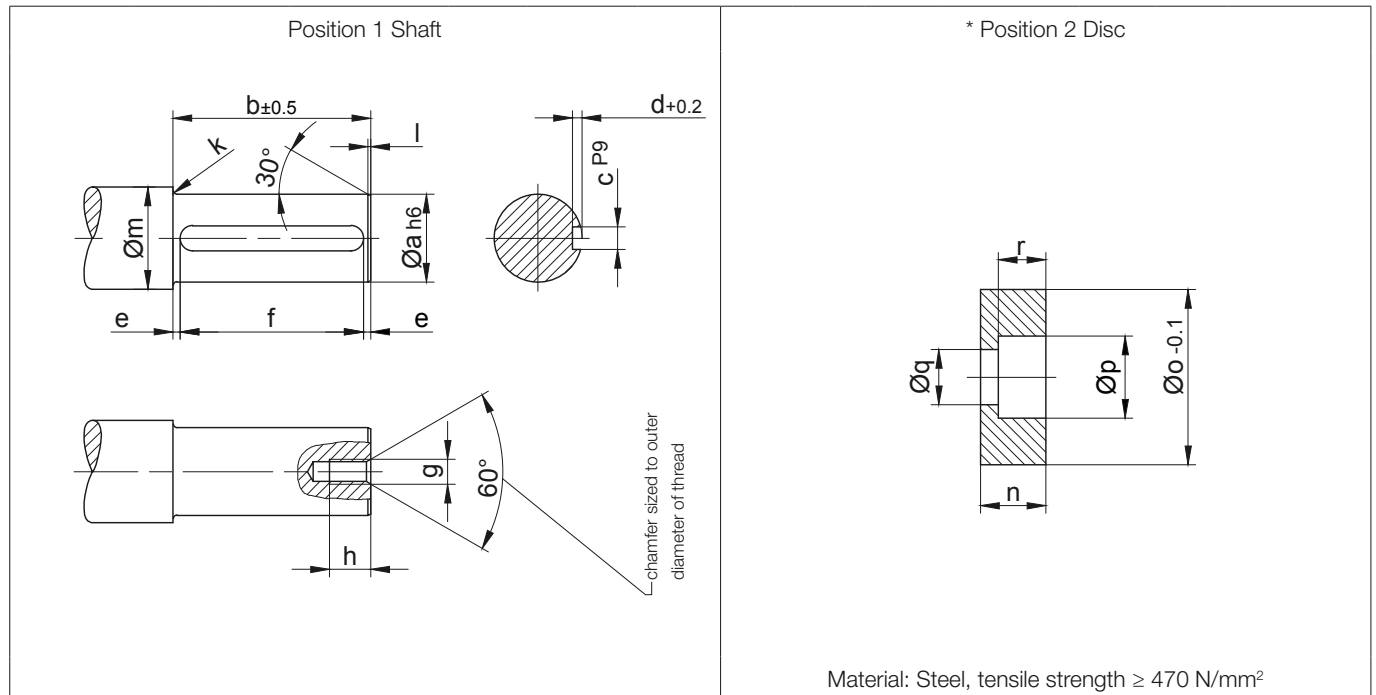
Type	a	b	c	d	e	f	g	h
BK60-BK60Z	165	270	320	230	315	Ø22	32	85
BK70-BK70Z	200	270	320	230	315	Ø22	32	100
BK80-BK80Z	250	400	480	360	480	Ø33	47	120
BK90-BK90Z	295	400	480	360	480	Ø33	47	145

The actual gearbox design can vary from the geometry shown. Generate drive specific 3D and 2D geometries under www.BauerCat.com.

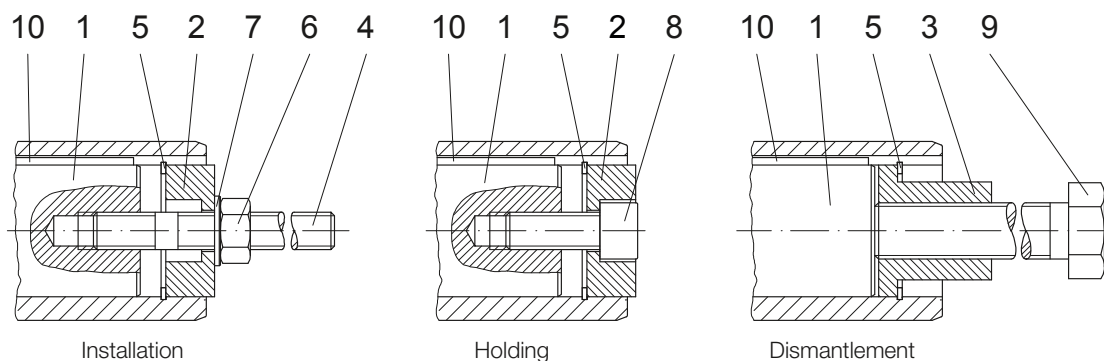
BK-series bevel-geared motors

Additional Dimension Sheet

Assembly tools for hollow shaft and keyway



Type	Dimensions (mm)															
	Position 1 Shaft											Position 2 Disc				
	a	b	c	d	e	f	g	h	k	l	m	n	o	p	q	r
BK06	20	75	6	3.5	6	63 ^{+0.3}	M8	16	2	1	28	13.5	19.8	11	6.6	6.5
BK10	25	148	8	4	11.5	125 ^{+0.5}	M8	18	2.5	1.5	33	13.5	24.8	15	9	8.5
BK20	30	170	8	4	15	140 ^{+0.5}	M10	20	3	1.5	38	15	29.8	18	11	10
BK30	35	201	10	5	10.5	180 ^{+0.5}	M10	20	3	1.5	43	16	34.8	18	11	10
BK40	40	235	12	5	17.5	200 ^{+0.5}	M12	22	3	2	48	18	39.8	20	13.5	12
BK50	50	254	14	5.5	17	220 ^{+0.5}	M16	30	3.5	2	58	21	49.8	26	17.5	15
BK60	60	273	18	7	11.5	250 ^{+0.5}	M20	38	3.5	2	68	24	59.8	33	22	18
BK70	80	316	22	9	18	280 ^{+0.5}	M20	38	4	2	90	27	79.8	33	22	20
BK70-K70	70	316	20	7.5	18	280 ^{+0.5}	M20	38	4	2	90	27	69.8	33	22	20
BK80	100	360	28	10	20	320 ^{+0.5}	M24	45	4	3	110	32	99.8	40	26	25
BK90	120	432	32	11	16	400 ^{+0.5}	M24	45	4.5	3	130	35	119.8	40	26	28



The parts shown are necessary for assembly. ONLY * specified parts are enclosed in the assembly kit. Suitable measures are to be used to secure Bolt Pos. 8 against loosening!

BK-series bevel-gear motors

Additional Dimension Sheet

Assembly tools for hollow shaft and keyway

Type	Dimensions (mm)										* Retaining ring DIN 472	Hexagon nut DIN 394-8	Disc DIN 125-St	* Filister head screw DIN 912-8.8	Starting torque (Nm)	Hexagon bolt DIN EN 24017-8.8	Key DIN 6885 Width/Height/Length						
	Position 3 Sleeve						Position 4 Stud bolt											Pos.5	Pos.6	Pos.7	Pos.8	Pos.9	Pos.10
	s	t	u	v	w	R	x	y	z	z1													
BK06	19.8	20	5	11.1	M8	0.8	130	100	20	M6	20x1	M6	6.4	M6x30	5	M6x120	A 6x6x63						
BK10	24.8	24	5	15.4	M12	0.8	200	170	20	M8	25x1.2	M8	8.4	M8x30		M12x190	A 8x7x125						
BK20	29.8	28	5	19.8	M14	0.8	230	195	23	M10	30x1.2	M10	10.5	M10x30	8	M14x210	A 8x7x140						
BK30	34.8	28	5	23	M14	-	260	220	23	M10	35x1.5	M10	10.5	M10x35		M14x240	A 10x8x180						
BK40	39.8	40	6	27.7	M20	0.8	300	260	28	M12	40x1.75	M12	13	M12x35	16	M20x290	A 12x8x200						
BK50	49.8	48	6	36	M24	-	340	290	37	M16	50x2.0	M16	17	M16x40	30	M24x320	A 14x9x220						
BK60	59.8	60	6	44	M30	-	370	310	45	M20	60x2.0	M20	21	M20x50	42	M30x350	A 18x11x250						
BK70	79.8	60	8	55	M30	-	420	360	45	M20	80x2.5	M20	21	M20x50		M30x400	A 22x14x280						
BK70-K70	69.8	60	8	53	M30	-	420	360	45	M20	70x2.5	M20	21	M20x50		M30x400	A 20x12x280						
BK80	99.8	72	10	75	M36	-	480	410	55	M24	100x3.0	M24	25	M24x60	100	M36x450	A 28x16x320						
BK90	119.8	72	10	80	M36	-	560	480	55	M24	120x4.0	M24	25	M24x60		M36x520	A 32x18x400						

The parts shown are necessary for assembly. ONLY * specified parts are enclosed in the assembly kit.
Suitable measures are to be used to secure Bolt Pos. 8 against loosening!

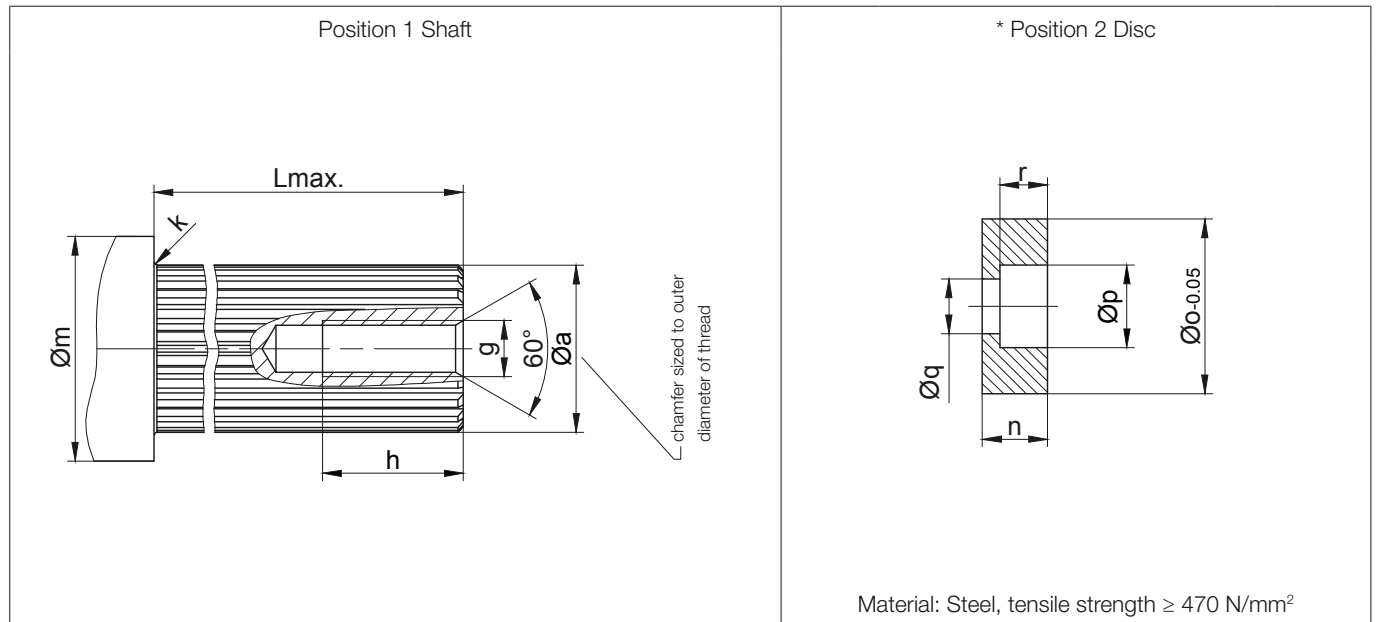
Optional	Type	Assembly tool „Holding“
	BK06	Id.Nr.4104013
	BK10	Id.Nr.4103921
	BK20	Id.Nr.4103939
	BK30	Id.Nr.4103947
	BK40	Id.Nr.4103955
	BK50	Id.Nr.4103963
	BK60	Id.Nr.4103971
	BK70	Id.Nr.4103980
	BK70-K70	Id.Nr.4104765
	BK80	Id.Nr.4103998
	BK90	Id.Nr.4104005

The actual gearbox design can vary from the geometry shown. Generate drive specific 3D and 2D geometries under www.BauerCat.com.

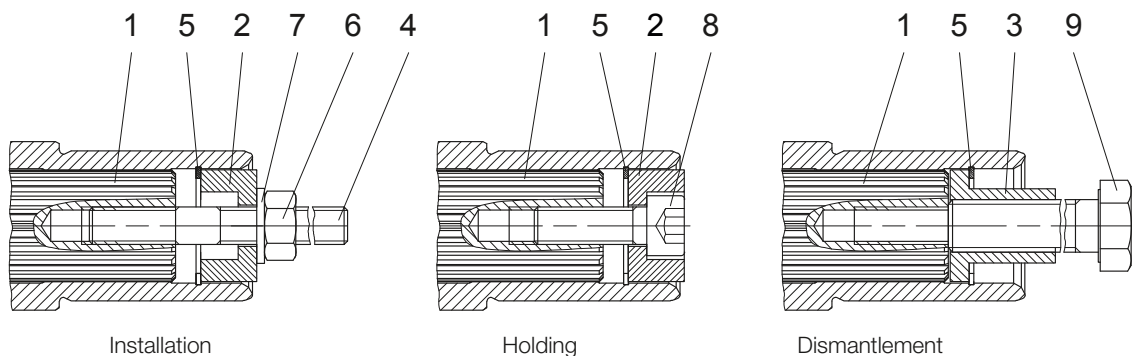
BK-series bevel-gear motors

Additional Dimension Sheet

Assembly tools for splined shaft



Type	Dimensions (mm)										
	Position 1 Shaft						Position 2 Disc				
	a	g	h	g	L _{max.}	m	n	o	p	q	r
BK10	DIN 5480-W30x1.25x22	M10	25	2.5	145	42	15	34.9	18	11	10
BK20	DIN 5480-W35x2x16	M10	25	3	167	44	14	35.9	18	11	10
BK30	DIN 5480-W40x2x18	M12	30	3	200	49	18	40.9	20	13.5	12
BK40	DIN 5480-W50x2x24	M16	35	3	235	59	17.5	50.9	26	17.5	12.5
BK50	DIN 5480-W60x2x28	M20	40	3.5	255	69	24	60.9	33	22	18
BK60	DIN 5480-W70x2x34	M20	40	3.5	275	80	24	71.9	33	22	18
BK70	DIN 5480-W85x3x27	M20	40	4	323	96	22	85.9	33	22	16
BK80	DIN 5480-W110x3x35	M24	50	4	360	122	32	111.9	40	26	25
BK90	DIN 5480-W130x5x24	M24	50	4.5	440	143	25	131.4	40	26	18



The parts shown are necessary for assembly. ONLY * specified parts are enclosed in the assembly kit. Suitable measures are to be used to secure Bolt Pos. 8 against loosening!

BK-series bevel-gear motors

Additional Dimension Sheet

Assembly tools for splined shaft

Type	Dimensions (mm)										* Retaining ring DIN 472	Hexagon nut DIN 394-8	Disc DIN 125-St	* Filister head screw DIN 912-8.8	Tightening torques (Nm)	Hexagon bolt DIN EN 24017-8.8
	Position 3 Sleeve						Position 4 Stud bolt									
	s	t	u	v	w	R	x	y	z	z1						
BK10	30.4	28	5	19.8	M14	-	200	170	23	M10	35x1.5	M10	10.5	M10x30	8	M14x190
BK20	35.9	28	5	23	M14	-	230	195	23	M10	35x1.5	M10	10.5	M10x35		M14x210
BK30	40.9	40	6	27.7	M20	-	260	220	28	M12	40x1.75	M12	13	M12x35	16	M20x240
BK40	50.9	48	6	36	M24	0.8	300	260	37	M16	50x2.0	M16	17	M16x40	30	M24x290
BK50	60.9	60	6	44	M30	-	340	290	45	M20	60x2.0	M20	21	M20x50	42	M30x320
BK60	71.9	60	6	53	M30	0.8	370	310	45	M20	72x2.5	M20	21	M20x50		M30x350
BK70	85.9	60	8	65	M30	0.8	420	360	45	M20	85x3	M20	21	M20x50		M30x400
BK80	111.9	72	10	85	M36	0.8	480	410	55	M24	112x4	M24	25	M24x60	100	M36x450
BK90	131.4	72	10	95	M36	0.8	560	480	55	M24	130x4	M24	25	M24x60		M36x520

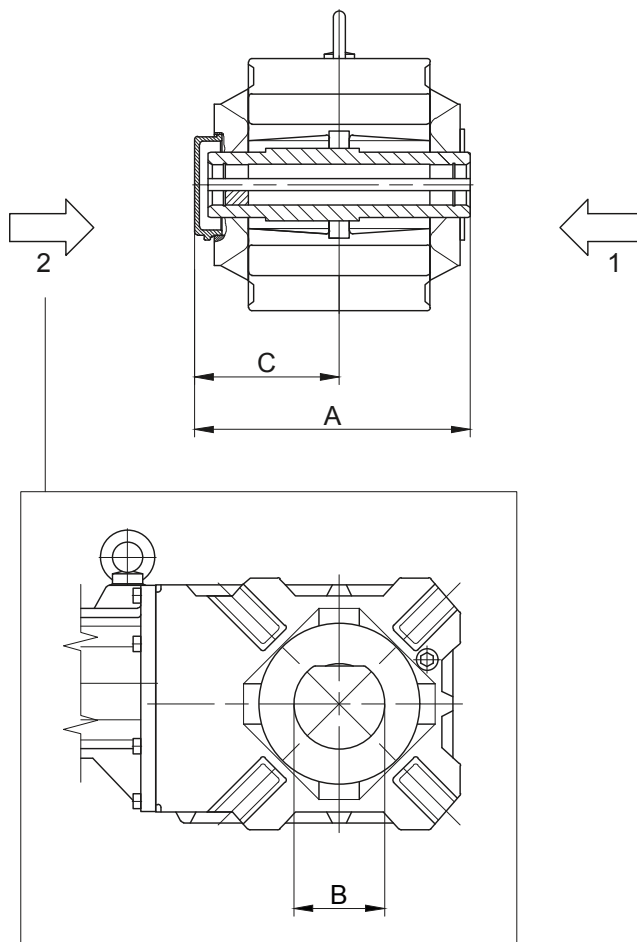
The parts shown are necessary for assembly. ONLY * specified parts are enclosed in the assembly kit.
Suitable measures are to be used to secure Bolt Pos. 8 against loosening!

Optional	Type	Assembly tool „Holding“
	BK10	Id.Nr. 4105133
	BK20	Id.Nr. 4105141
	BK30	Id.Nr. 4105150
	BK40	Id.Nr. 4105168
	BK50	Id.Nr. 4105176
	BK60	Id.Nr. 4105184
	BK70	Id.Nr. 4105192
	BK80	Id.Nr. 4105206
	BK90	Id.Nr. 4105214

BK-series bevel-gear motors

Additional Dimension Sheet

Shaft cap (VK)



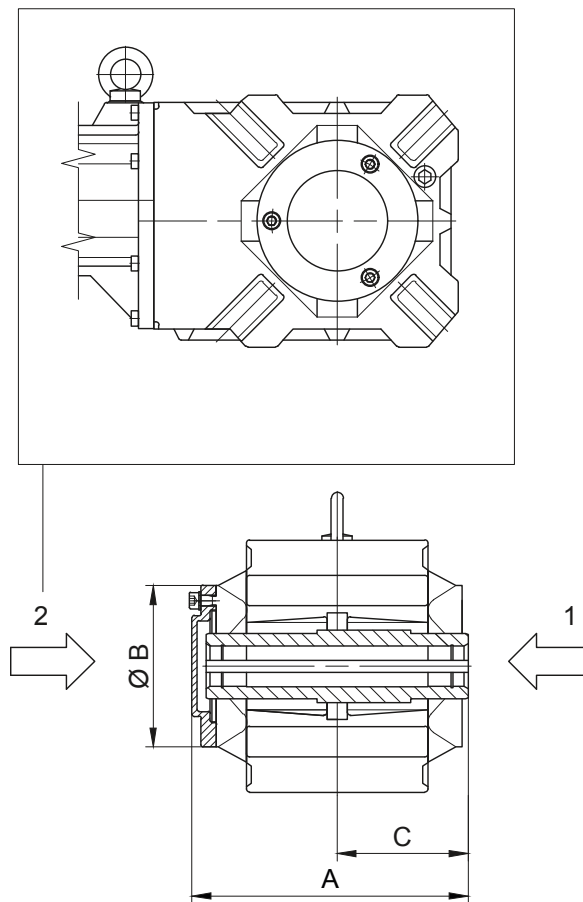
- 1 Gear side FRONT (V)
- 2 Gear side REAR (H)

Type	A	B	C
BK10	182.5	85	97.5
BK20	204.5	90	108.5
BK40	273.5	100	143.5
BK50	298	115	157
BK60	322	130	171
BK70	370	160	194
Dimensions in millimetres (mm)			

BK-series bevel-gear motors

Additional Dimension Sheet

Shaft cover (VD)

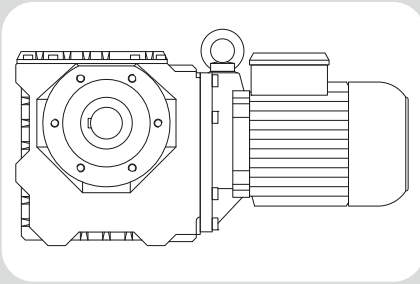


- 1 Gear side FRONT (V)
- 2 Gear side REAR (H)

Type	A	B	C
BK10	181	120	85
BK20	206	139.5	96
BK30	239	160	112
BK40	274	160	130
BK50	297	199	141
BK60	321	210	151
BK70	368	250	176
BK80	419	300	202
BK90	492	351	242
Dimensions in millimetres (mm)			

Energy Efficient Geared Motors

AC Line Operated / European Union



13

BS-series worm-geared motors - Dimensions

Dimension - Standard	398
BS02	398
BS03	400
BS04	402
BS06	404
BS10-BS10Z	406
BS20-BS20Z	408
BS30-BS30Z	410
BS40-BS40Z	412
Dimension - Tandem Gearbox	414
BS06G04	414
BS10G06	416
BS20G06	418
BS30G06	420
BS40G10	422
Additional Dimension Sheet	424
Shrink disc couplings (SSV)	424
Shrink disc couplings with (SSV) cover	425
Rubber buffer for torque arm	426
Position of the torque arm	427
Threaded foot	428
Foot plate, left	429
Assembly tools for hollow shaft and keyway	430
Shaft cap (VK)	432
Shaft cover (VD)	433

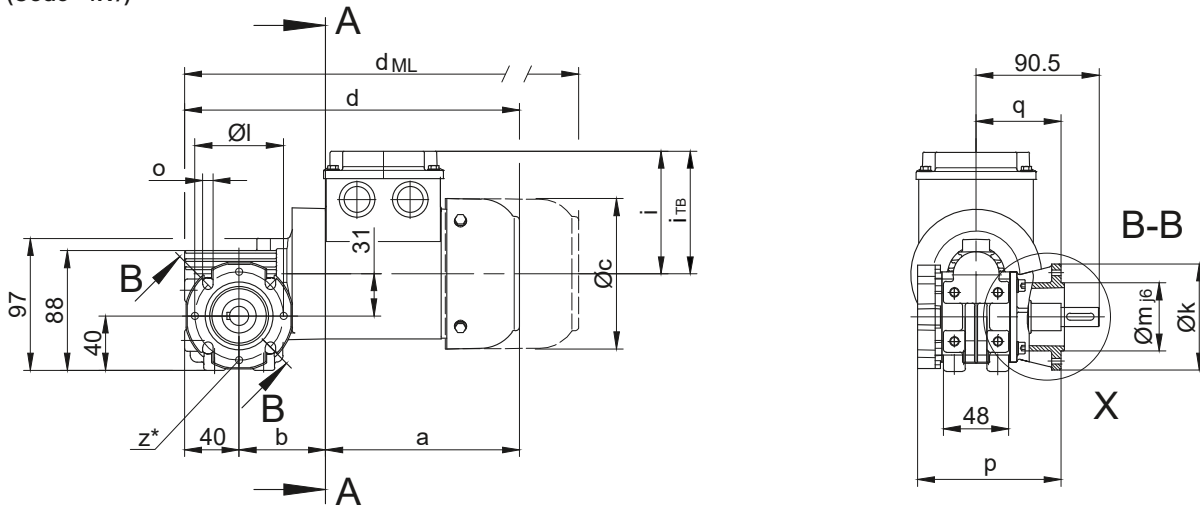
BS-series worm-geared motors

Dimension - Standard

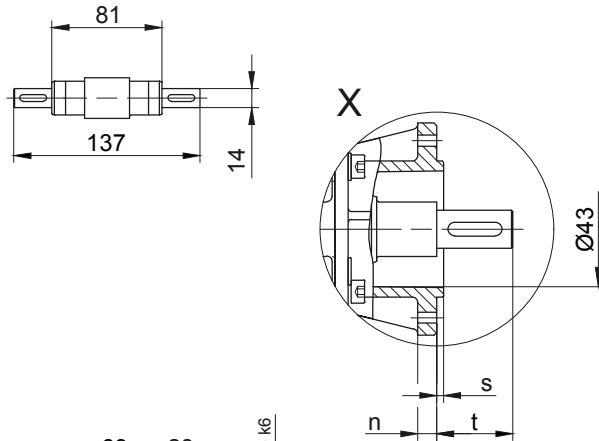
BS02

Flange with clearance holes at front

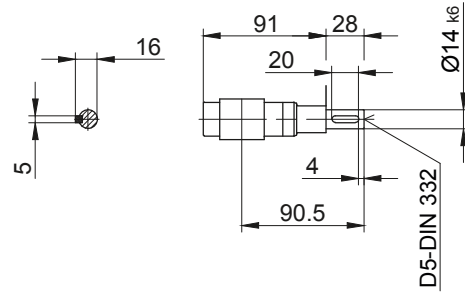
Code -3.V/
(Code -4.V)



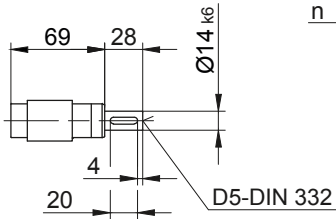
Code -3/



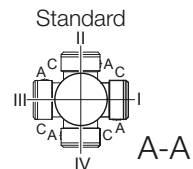
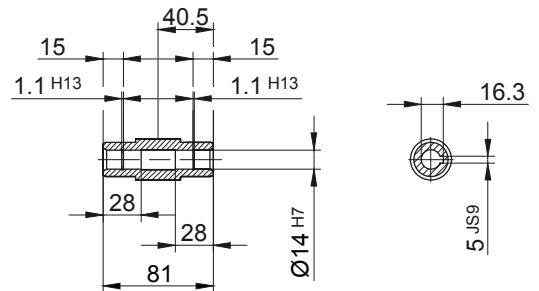
Code -7/



Code -1/



Code -4/



- * optional 4xM5 for code -3.
- * optional 4xM6 for code -4.

Flange Dimensions										
Type	Design	k	l	m	n	o	p	q	s	t
BS02	Code -3.V/	80	65	50	7,5	5,5	105,5	62,5	2,5	28
BS02	Code -4.V/	110	80	60	8	6,6	105,5	62,5	2,5	28

Dimensions in millimetres (mm)

Type	a	b	c	d	i	Design with motor extensions				
						i_{TB}	Brake	Encoder	Brake with Encoder	Back Stop
						d_{ML}	d_{ML}	d_{ML}	d_{ML}	
BS02-../D04.A.	142.5	63.5	110.5	246	90	112	289.5	333.5	377	-
BS02-../D..05.A.	170.5	65.5	123	276	101	117	318	378.5	416	-
BS02-../D..06.A.	170.5	65.5	123	276	99	119	318	378.5	416	-
BS02-../D..07.A.	190.5	65.5	123	296	99	119	338	398.5	436	-

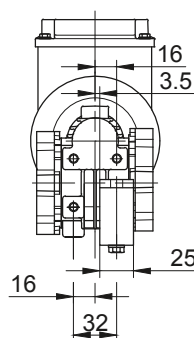
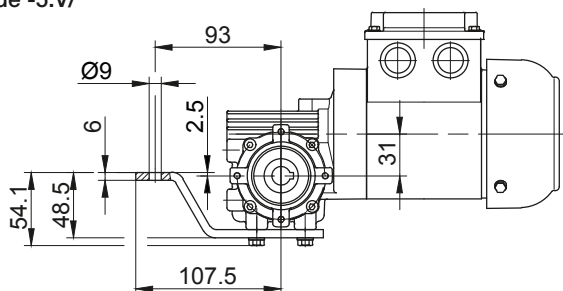
Dimensions in millimetres (mm)

The actual gearbox design can vary from the geometry shown. Generate drive specific 3D and 2D geometries under www.BauerCat.com.

BS02

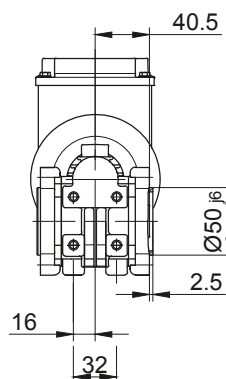
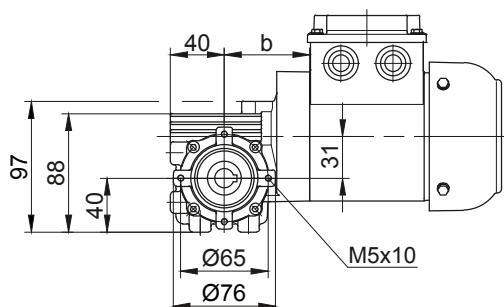
Torque arm at front

Code -5.V/



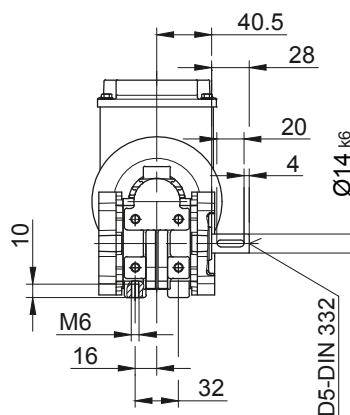
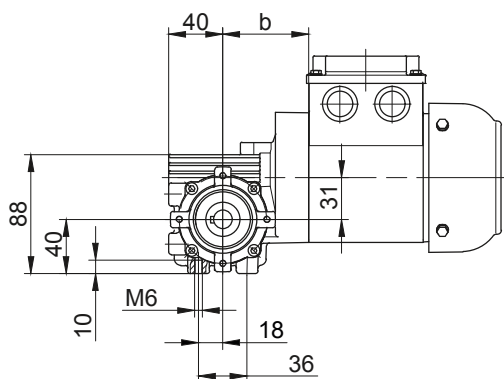
Flange with tapped holes at front

Code -7.V/



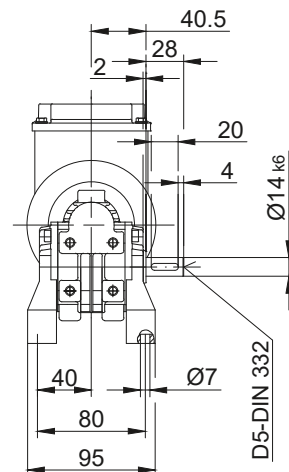
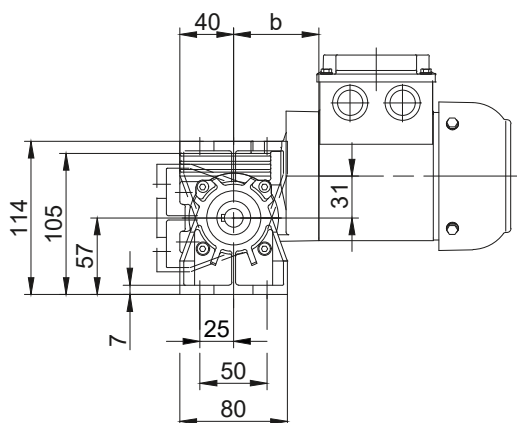
Foot with tapped holes at bottom

Code -6.U/



Foot with clearance holes at bottom

Code -1.U/



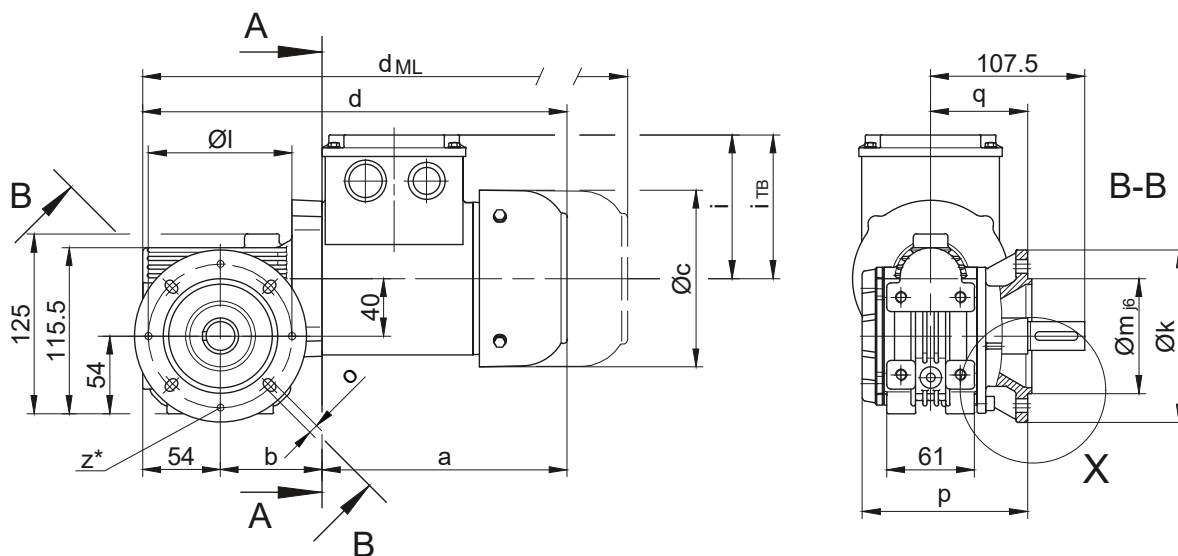
BS-series worm-geared motors

Dimension - Standard

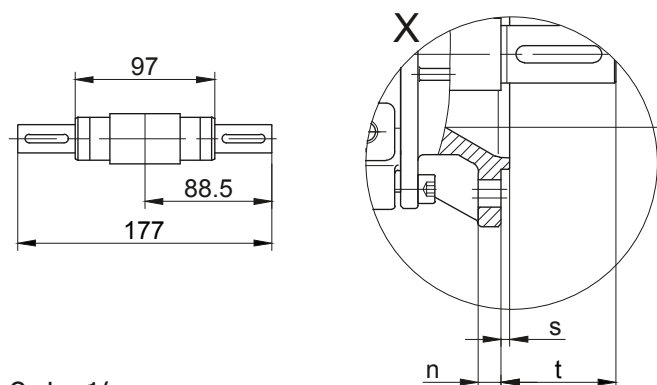
BS03

Flange with clearance holes at front

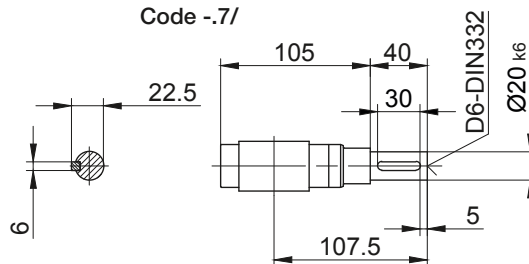
Code -3.V/



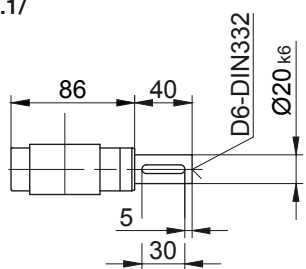
Code -3/



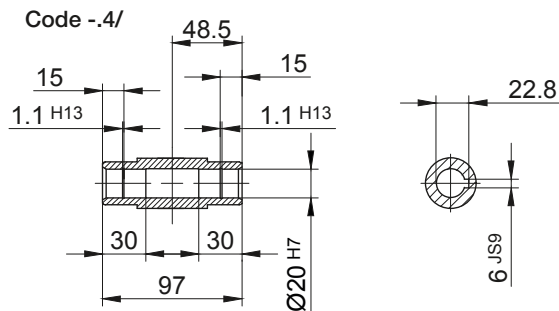
Code -7/



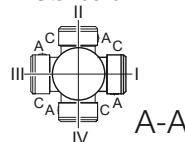
Code -1/



Code -4/



Standard



* optional 4xM6 for code -3.

Flange Dimensions

Type	Design	k	l	m	n	o	p	q	s	t
BS03	Code -3.V/	120	100	80	8	6,6	115	67,5	3	40

Dimensions in millimetres (mm)

Type	a	b	c	d	i	Design with motor extensions				
						i _{TB}	Brake	Encoder	Brake with Encoder	Back Stop
							d _{ML}	d _{ML}	d _{ML}	d _{ML}
BS03-../D..05.A.	170.5	71	123	295.5	101	117	337.5	398	435.5	-
BS03-../D..06.A.	170.5	71	123	295.5	99	119	337.5	398	435.5	-
BS03-../D..07.A.	190.5	71	123	315.5	99	119	357.5	418	455.5	-
BS03-../D..08.A.	199.5	115	156	368.5	114.5	136.5	434.5	480.5	542	434.5
BS03-../D..08.B.	229.5	115	156	398.5	114.5	136.5	464.5	510.5	571.5	464.5

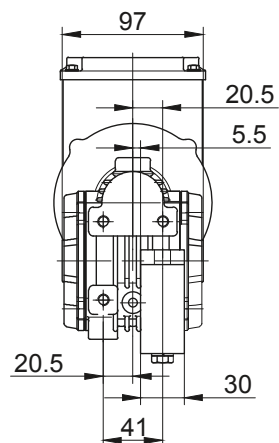
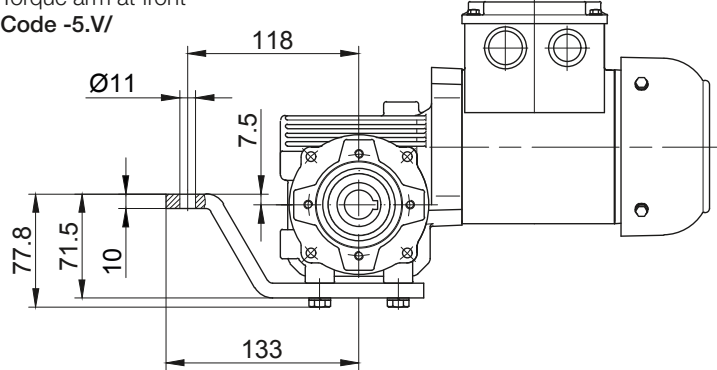
Dimensions in millimetres (mm)

The actual gearbox design can vary from the geometry shown. Generate drive specific 3D and 2D geometries under www.BauerCat.com.

BS03

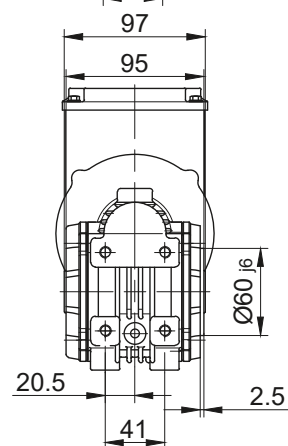
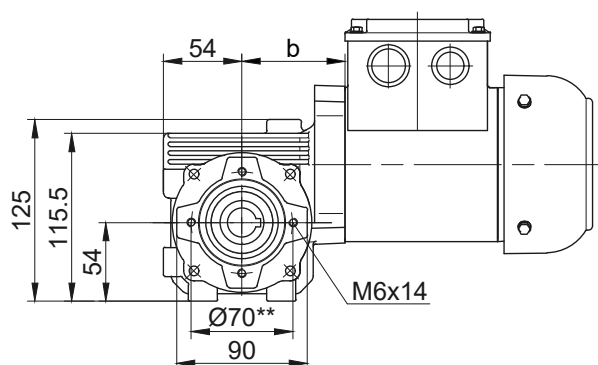
Torque arm at front

Code -5.V/



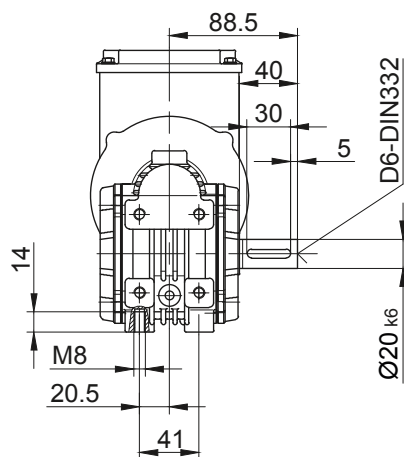
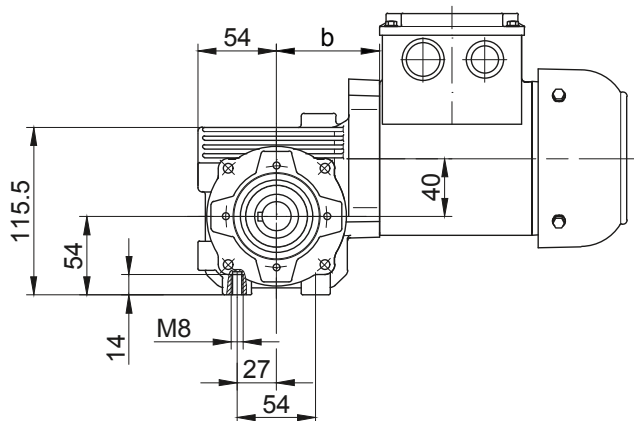
Flange with tapped holes at front

Code -7.V/



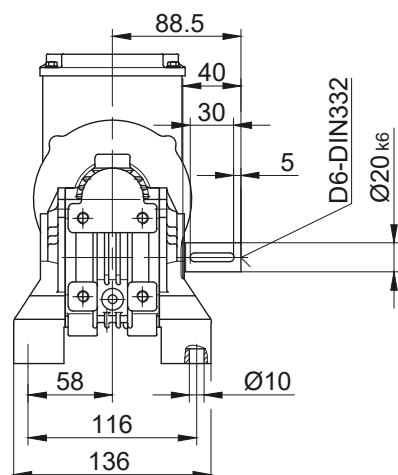
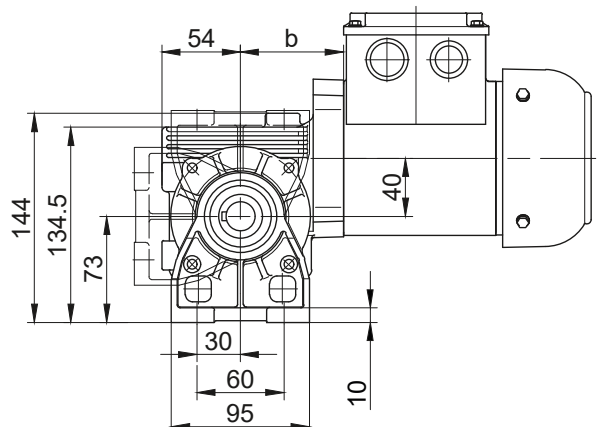
Foot with tapped holes at bottom

Code -6.U/



Foot with clearance holes at bottom

Code -1.U/



** not for D..08.. with PTO shaft (code -.1, -.2, -.3., -.7, -.8, -.9)

The actual gearbox design can vary from the geometry shown. Generate drive specific 3D and 2D geometries under www.BauerCat.com.

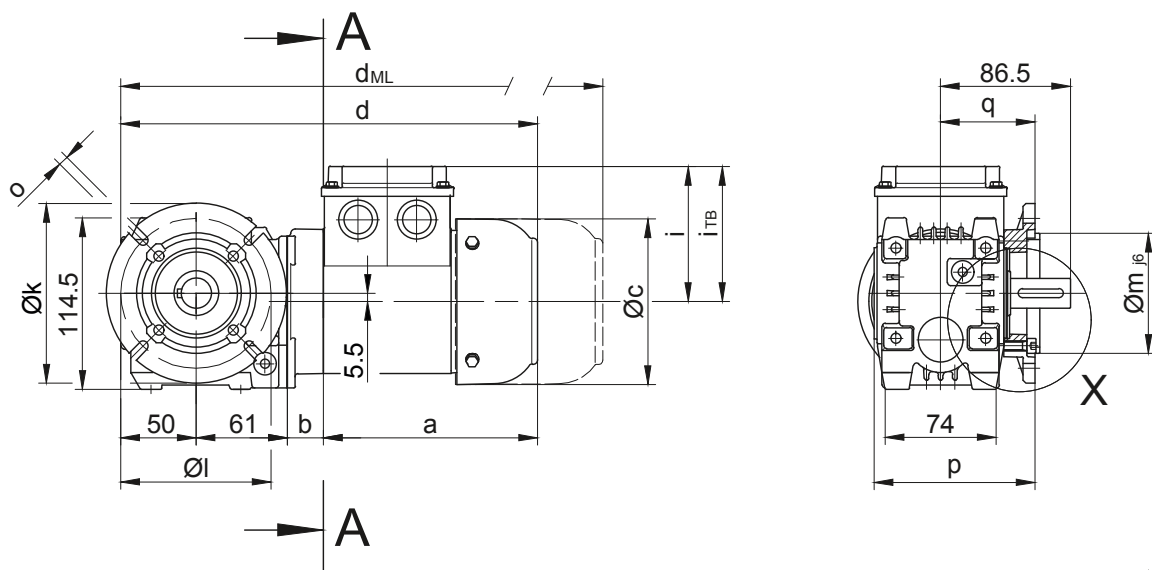
BS-series worm-geared motors

Dimension - Standard

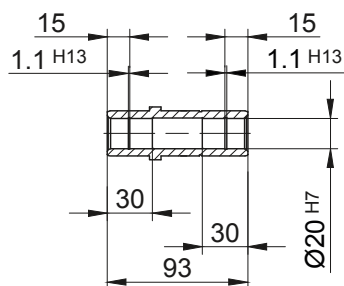
BS04

Flange with clearance holes at front

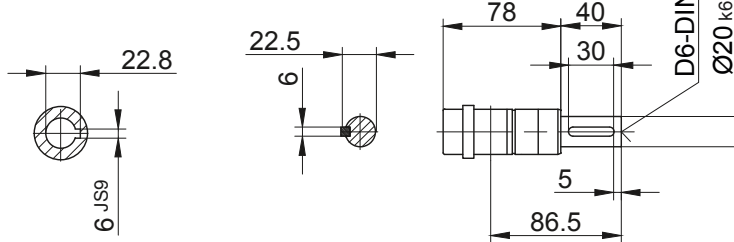
Code -3.V/



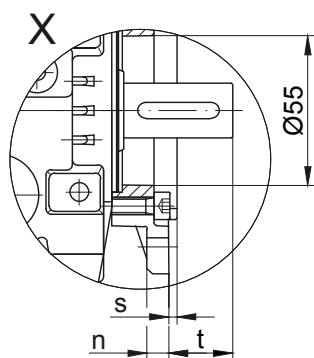
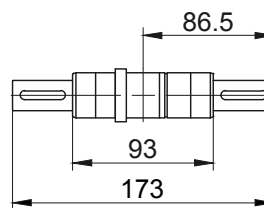
Code -.4/



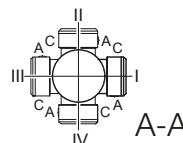
Code -.1/



Code -.3/



Standard



Flange Dimensions										
Type	Design	k	l	m	n	o	p	q	s	t
BS04	Code -3.V/	120	100	80	8	6,6	107,5	63	3	23,5

Dimensions in millimetres (mm)

Type	a	b	c	d	i	Design with motor extensions				
						i _{TB}	Brake	Encoder	Brake with Encoder	Back Stop
							d _{ML}	d _{ML}	d _{ML}	d _{ML}
BS04-../D04.A.	142.5	24	110.5	277.5	90	112	321	365	408.5	-
BS04-../D..05.A.	170.5	26	123	307.5	101	117	349.5	410	447.5	-
BS04-../D..06.A.	170.5	26	123	307.5	99	119	349.5	410	447.5	-
BS04-../D..07.A.	190.5	26	123	327.5	99	119	369.5	430	467.5	-

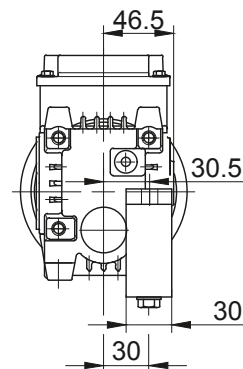
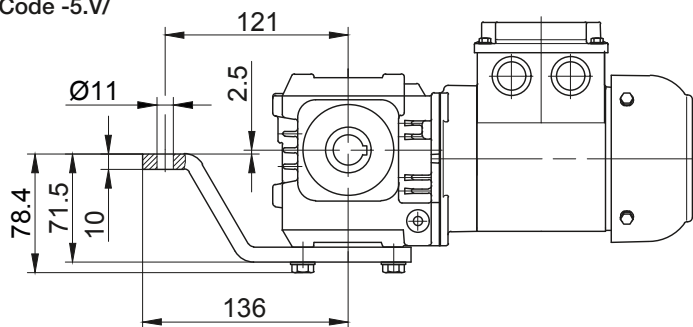
Dimensions in millimetres (mm)

The actual gearbox design can vary from the geometry shown. Generate drive specific 3D and 2D geometries under www.BauerCat.com.

BS04

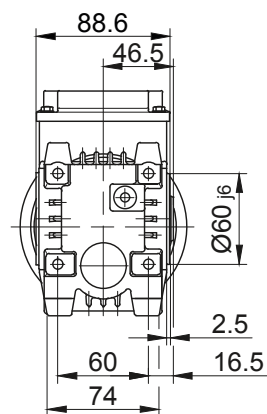
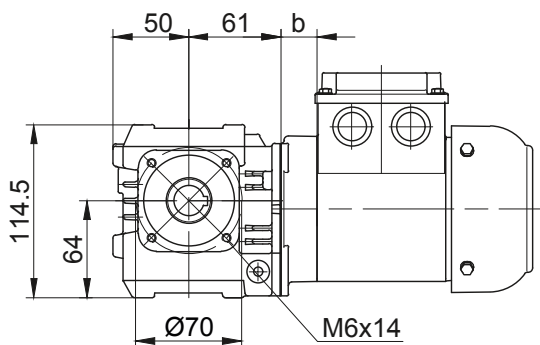
Torque arm at front

Code -5.V/



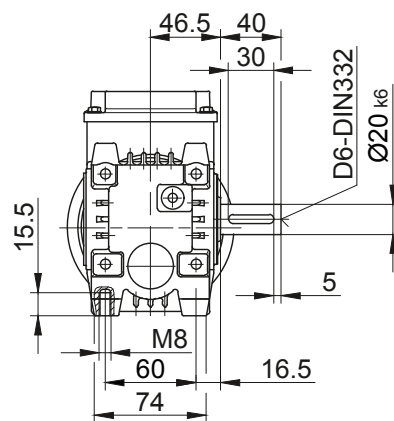
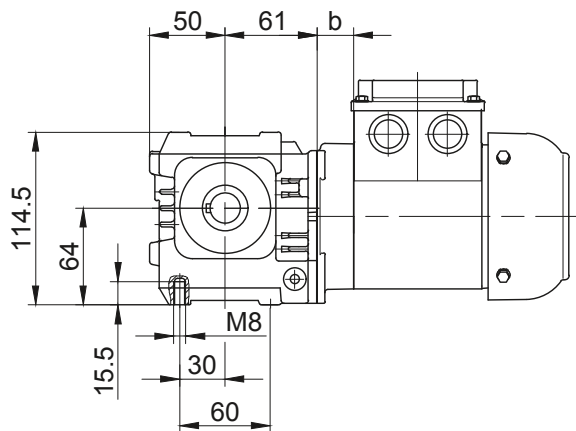
Flange with tapped holes at front

Code -7.V/



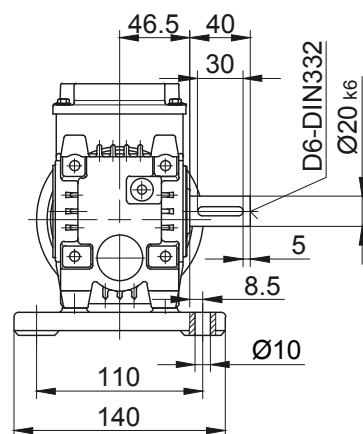
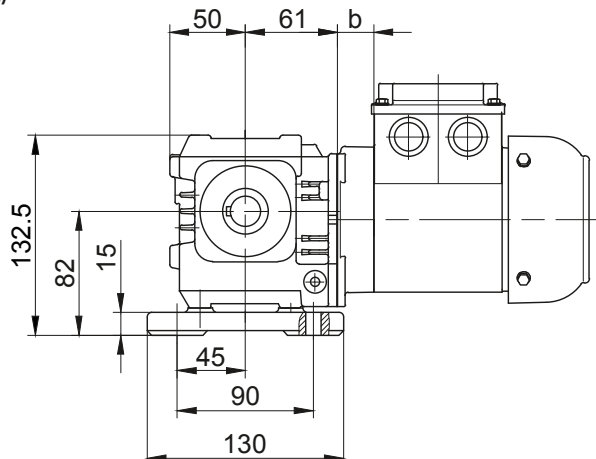
Foot with tapped holes at bottom

Code -6.U/



Foot with clearance holes at bottom

Code -1.U/



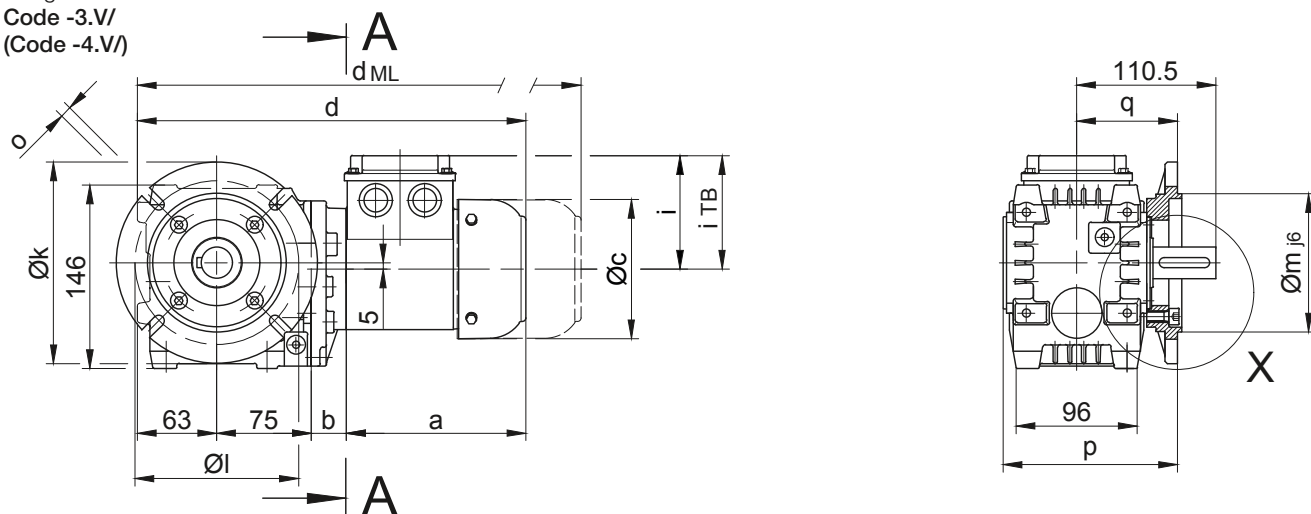
BS-series worm-geared motors

Dimension - Standard

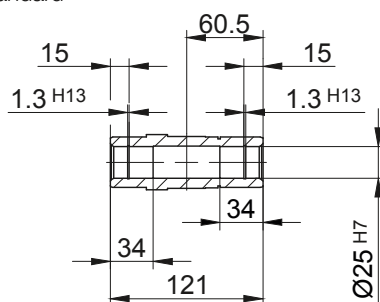
BS06

Flange with clearance holes at front

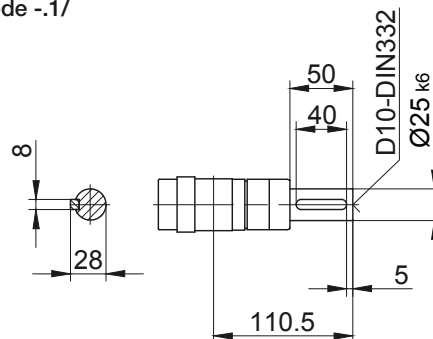
Code -3.V/
(Code -4.V)



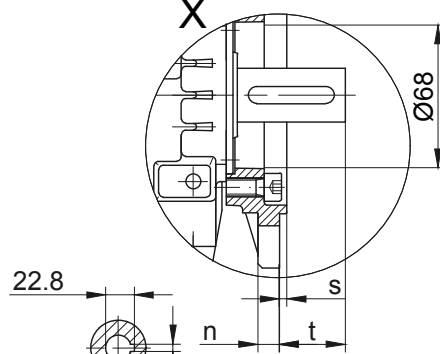
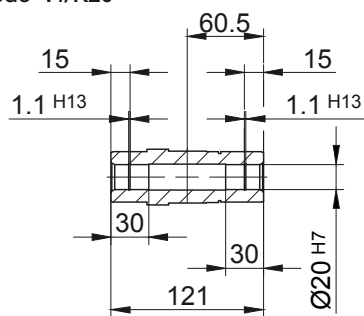
Code -4/
Standard



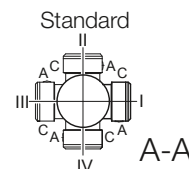
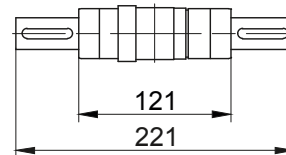
Code -1/



Code -4/K20



Code -3/



Type	Design	k	l	m	n	o	p	q	s	t
BS06..	Code -3.V/	140	115	95	10	9	138,3	80	3	30,5
BS06..	Code -4.V/	160	130	110	10	9	138,3	80	3,5	30,5

Dimensions in millimetres (mm)

Type	a	b	c	d	i	Design with motor extensions				
						i _{TB}	Brake	Encoder	Brake with Encoder	Back Stop
							d _{ML}	d _{ML}	d _{ML}	d _{ML}
BS06-../D04.A.	142.5	28	110.5	308.5	90	112	352	396	439.5	-
BS06-../D..05.A.	170.5	30	123	338.5	101	117	380.5	441	478.5	-
BS06-../D..06.A.	170.5	30	123	338.5	99	119	380.5	441	478.5	-
BS06-../D..07.A.	190.5	30	123	358.5	99	119	400.5	461	498.5	-
BS06-../D..08.A.	199.5	74	156	411.5	114.5	136.5	477.5	523.5	585	477.5
BS06-../D..08.B.	229.5	74	156	441.5	114.5	136.5	507.5	553.5	614.5	507.5

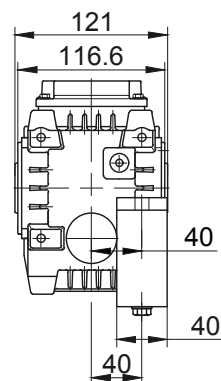
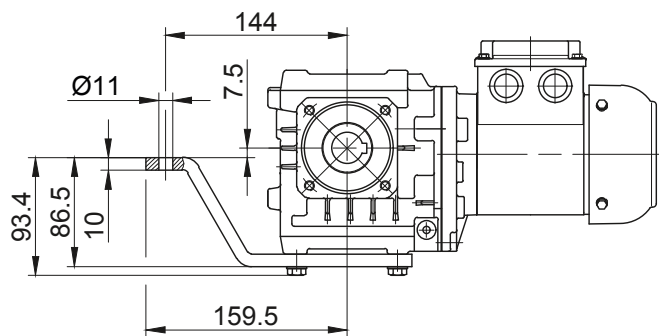
Dimensions in millimetres (mm)

The actual gearbox design can vary from the geometry shown. Generate drive specific 3D and 2D geometries under www.BauerCat.com.

BS06

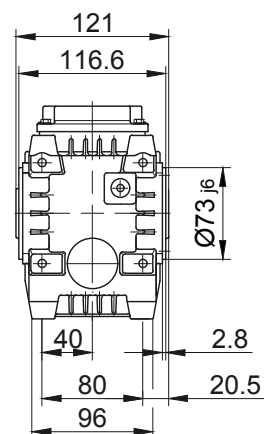
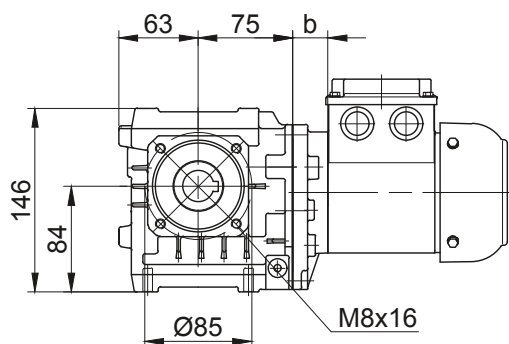
Torque arm at front

Code -5.V/



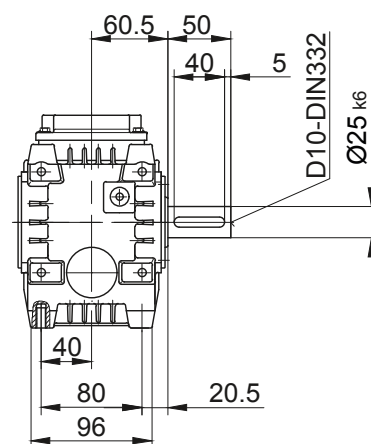
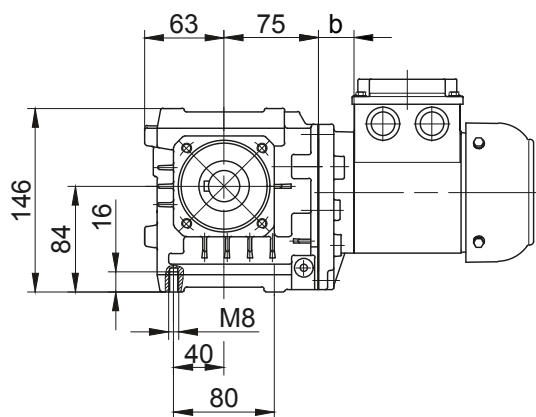
Flange with tapped holes at front

Code -7.V/



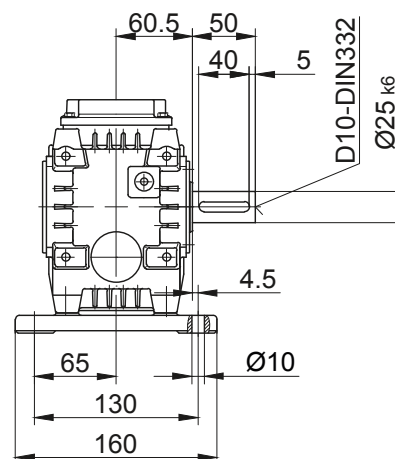
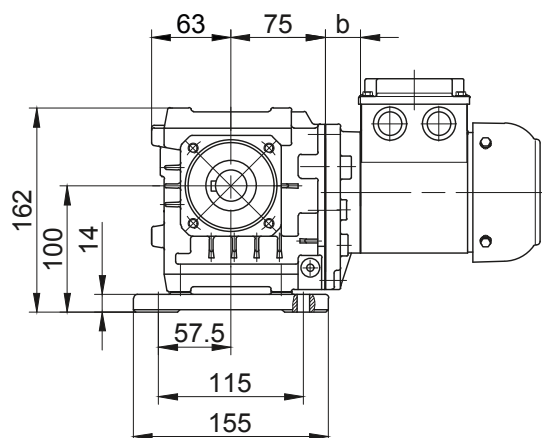
Foot with tapped holes at bottom

Code -6.U/



Foot with clearance holes at bottom

Code -1.U/



The actual gearbox design can vary from the geometry shown. Generate drive specific 3D and 2D geometries under www.BauerCat.com.

BS-series worm-geared motors

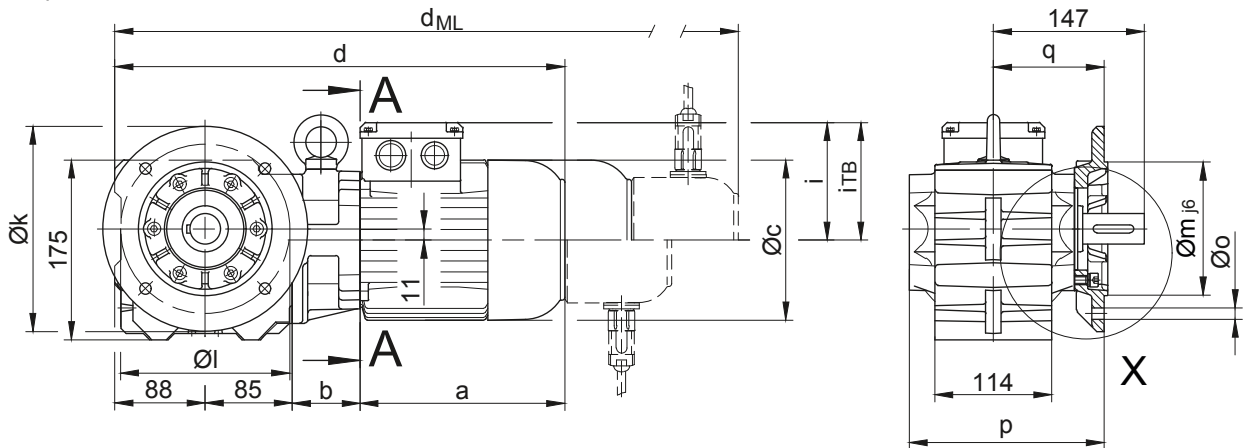
Dimension - Standard

BS10-BS10Z

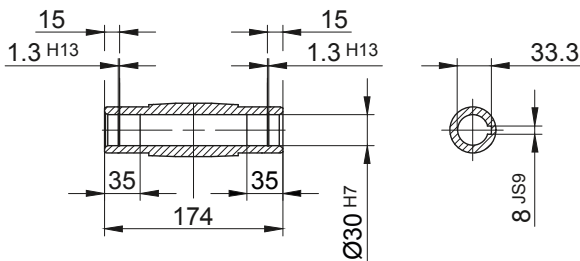
Flange with clearance holes at front

Code -3.V/

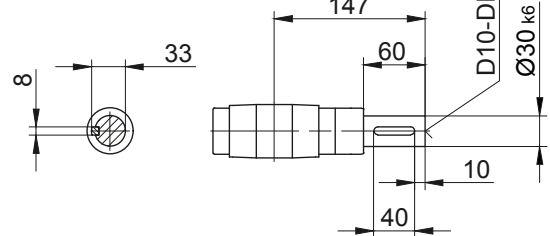
(Code -2.V)



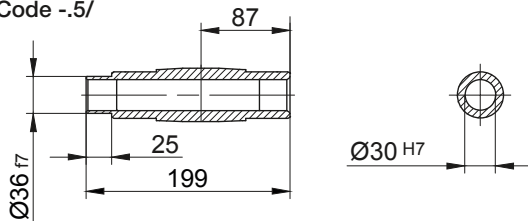
Code -4/



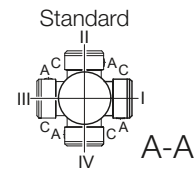
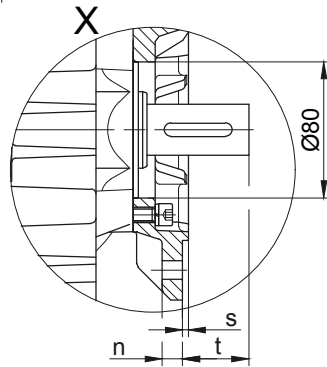
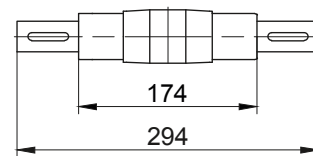
Code -1/



Code -5/



Code -3/



Flange Dimensions		k	l	m	n	o	p	q	s	t
BS10..	Code -3.V/	200	165	130	12	11	190	108	3,5	39
BS10..	Code -2.V/	160	130	110	10	9	183	101	3,5	46

Dimensions in millimetres (mm)

Type	a	b	c	d	i	Design with motor extensions				
						i _{TB}	Brake	Encoder	Brake with Encoder	Back Stop
							d _{ML}	d _{ML}	d _{ML}	d _{ML}
BS10Z-../D04.A.	142.5	86	110.5	401.5	90	112	445	489	532.5	-
BS10-../D..05.A.	170.5	62	123	405.5	101	117	447.5	508	545.5	-
BS10Z-../D..05.A.	170.5	88	123	431.5	101	117	473.5	534	571.5	-
BS10-../D..06.A.	170.5	62	123	405.5	99	119	447.5	508	545.5	-
BS10Z-../D..06.A.	170.5	88	123	431.5	99	119	473.5	534	571.5	-
BS10-../D..07.A.	190.5	62	123	425.5	99	119	467.5	528	565.5	-
BS10Z-../D..07.A.	190.5	88	123	451.5	99	119	493.5	554	591.5	-
BS10-../D..08.A.	199.5	66	156	438.5	114.5	136.5	504.5	550.5	612	504.5
BS10Z-../D..08.A.	199.5	132	156	504.5	114.5	136.5	570.5	616.5	678	570.5
BS10-../D..08.B.	229.5	66	156	468.5	114.5	136.5	534.5	580.5	641.5	534.5
BS10Z-../D..08.B.	229.5	132	156	534.5	114.5	136.5	600.5	646.5	707.5	600.5
BS10-../D..09.A.	250.5	80.5	176	504	124	157	597	611.5	701	597
BS10-../D..09.B.	308.5	80.5	176	562	124	157	655	669	759	655

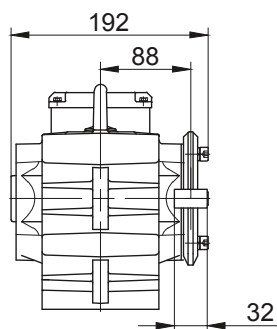
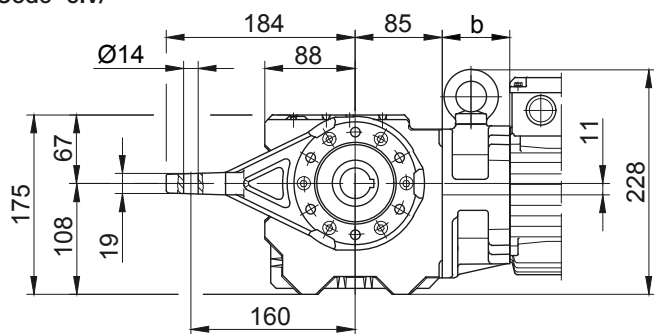
Dimensions in millimetres (mm)

The actual gearbox design can vary from the geometry shown. Generate drive specific 3D and 2D geometries under www.BauerCat.com.

BS10-BS10Z

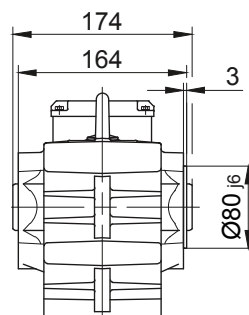
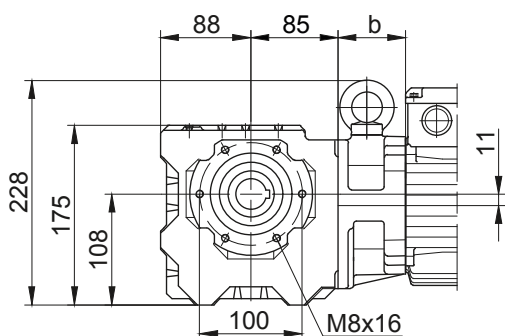
Torque arm at front

Code -5.V/



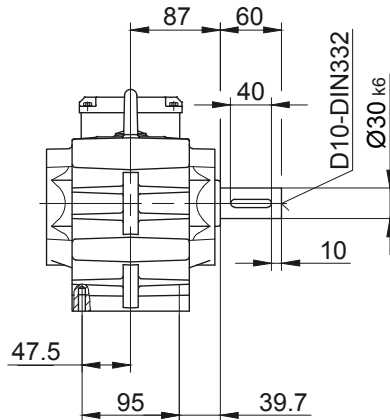
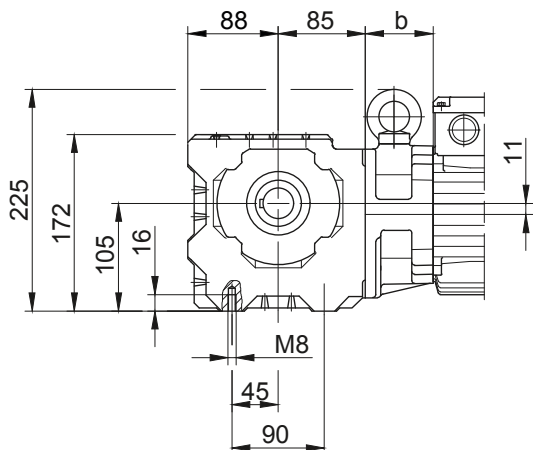
Flange with tapped holes at front

Code -7.V/



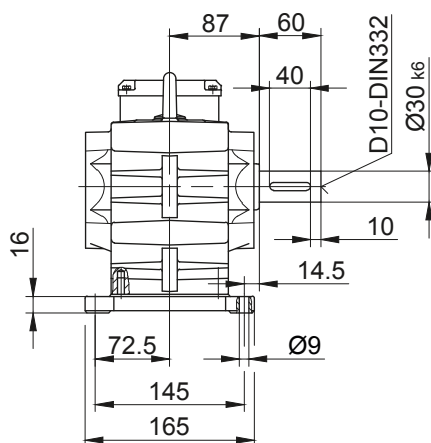
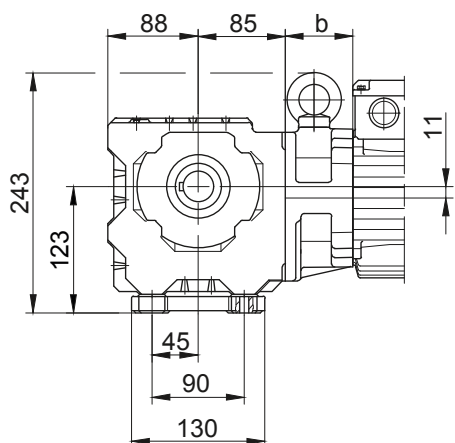
Foot with tapped holes at bottom

Code -6.U/



Foot with clearance holes at bottom

Code -1.U/



The actual gearbox design can vary from the geometry shown. Generate drive specific 3D and 2D geometries under www.BauerCat.com.

BS-series worm-geared motors

Dimension - Standard

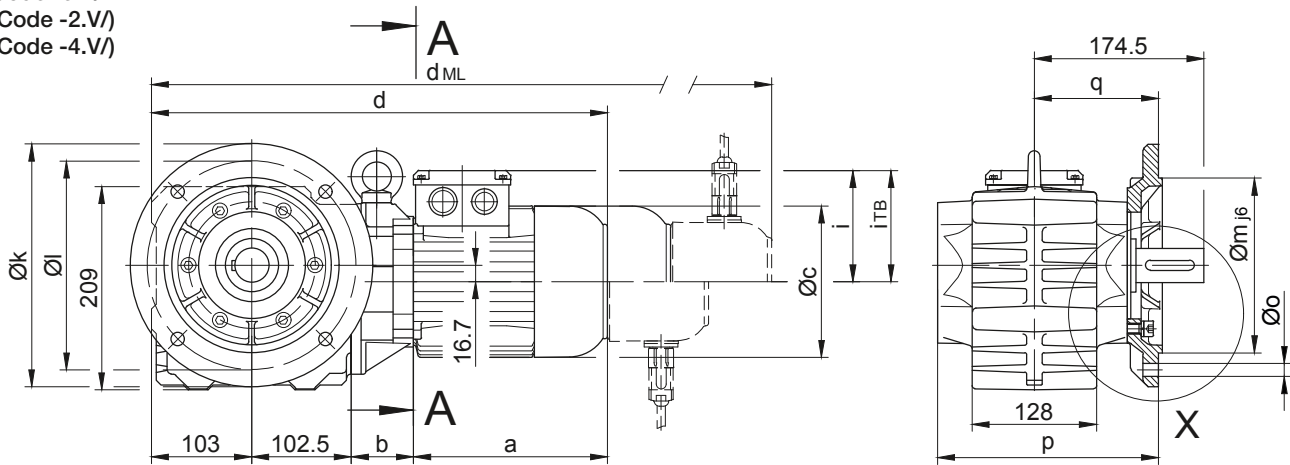
BS20-BS20Z

Flange with clearance holes at front

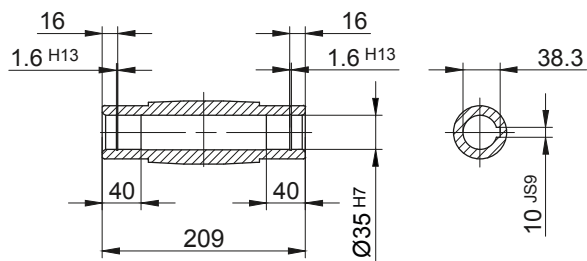
Code -3.V/

(Code -2.V/)

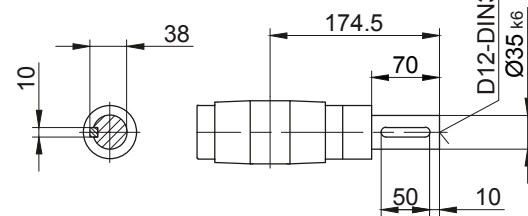
(Code -4.V/)



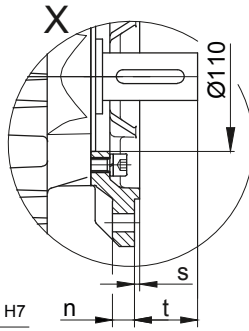
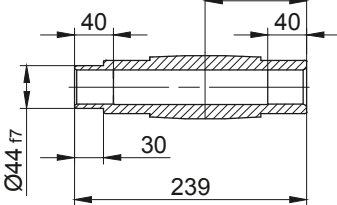
Code -4/



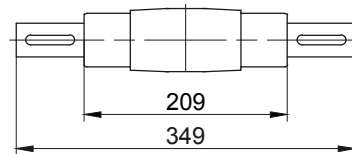
Code -1/



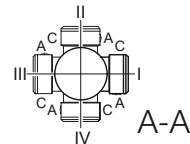
Code -5/



Code -3/



Standard



Flange Dimensions

Type	Design	k	l	m	n	o	p	q	s	t
BS20..	Code -3.V/	250	215	180	16	13,5	227,5	128	4	46,5
BS20..	Code -2.V/	200	165	130	12	11	224,5	125	3,5	49,5
BS20..	Code -4.V/	300	265	230	20	13,5	233,5	134	4	40,5

Dimensions in millimetres (mm)

Type	a	b	c	d	i	Design with motor extensions				
						i _{TB}	Brake	Encoder	Brake with Encoder	Back Stop
							d _{ML}	d _{ML}	d _{ML}	d _{ML}
BS20Z-../D04.A.	142.5	100	110.5	448	90	112	491.5	535.5	579	-
BS20-../D..05.A.	170.5	60	123	436	101	117	478	538.5	576	-
BS20Z-../D..05.A.	170.5	102	123	478	101	117	520	580.5	618	-
BS20-../D..06.A.	170.5	60	123	436	99	119	478	538.5	576	-
BS20Z-../D..06.A.	170.5	102	123	478	99	119	520	580.5	618	-
BS20-../D..07.A.	190.5	60	123	456	99	119	498	558.5	596	-
BS20Z-../D..07.A.	190.5	102	123	498	99	119	540	600.5	638	-
BS20-../D..08.A.	199.5	64	156	469	114.5	136.5	535	581	642.5	535
BS20Z-../D..08.A.	199.5	146	156	551	114.5	136.5	617	663	724.5	617
BS20-../D..08.B.	229.5	64	156	499	114.5	136.5	565	611	672	565
BS20Z-../D..08.B.	229.5	146	156	581	114.5	136.5	647	693	754	647
BS20-../D..09.A.	250.5	78.5	176	534.5	124	157	627.5	642	731.5	627.5
BS20Z-../D..09.B.	308.5	78.5	176	592.5	124	157	685.5	699.5	789.5	685.5

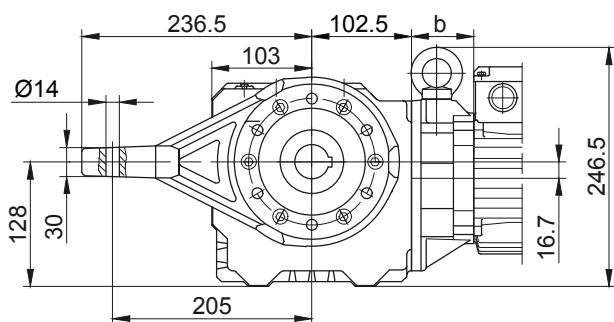
Dimensions in millimetres (mm)

The actual gearbox design can vary from the geometry shown. Generate drive specific 3D and 2D geometries under www.BauerCat.com.

BS20-BS20Z

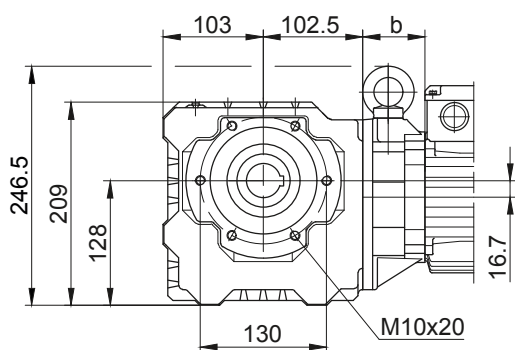
Torque arm at front

Code -5.V/



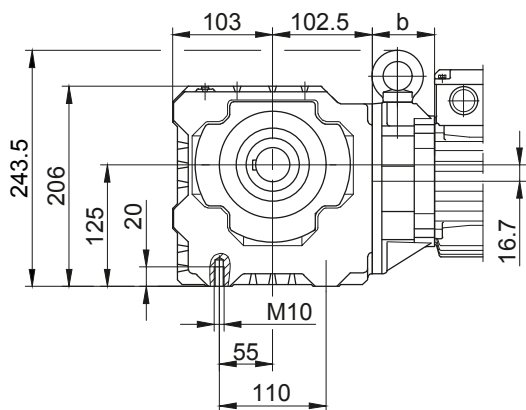
Flange with tapped holes at front

Code -7.V/



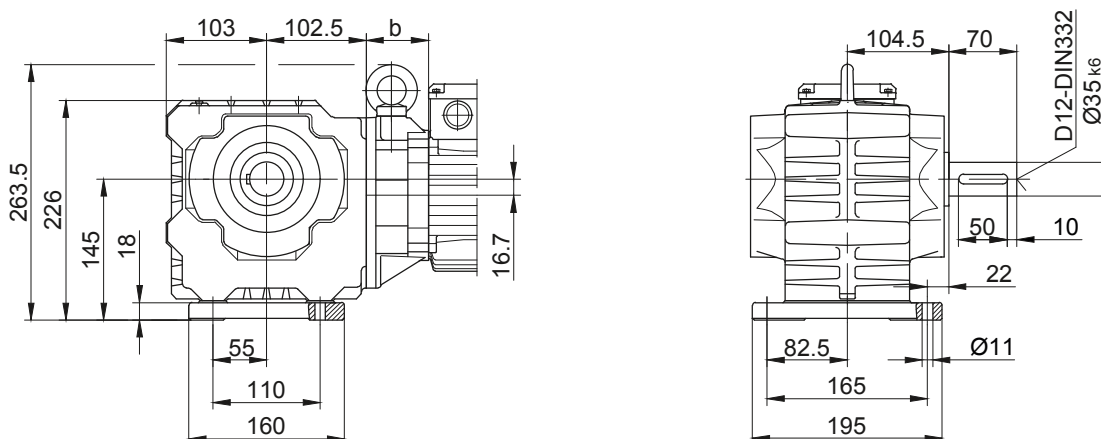
Foot with tapped holes at bottom

Code -6.U/



Foot with clearance holes at bottom

Code -1.U/



The actual gearbox design can vary from the geometry shown. Generate drive specific 3D and 2D geometries under www.BauerCat.com.

BS-series worm-geared motors

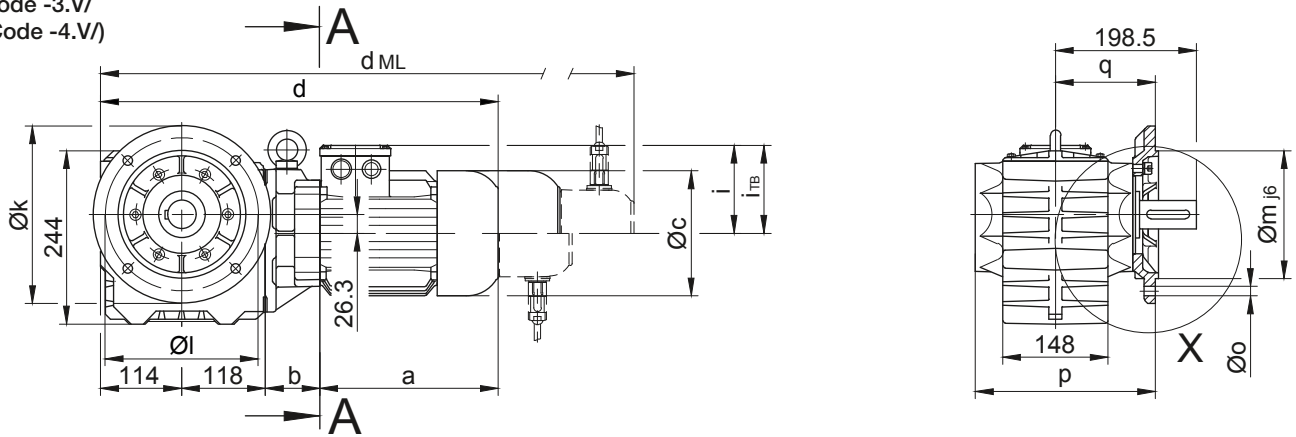
Dimension - Standard

BS30-BS30Z

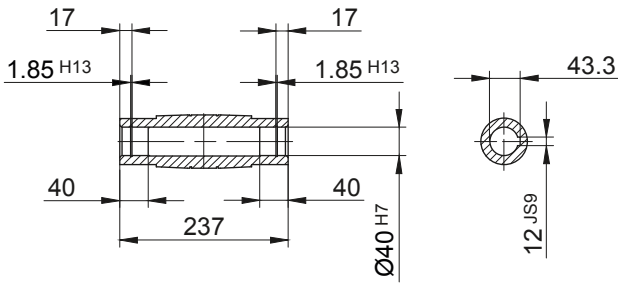
Flange with clearance holes at front

Code -3.V/

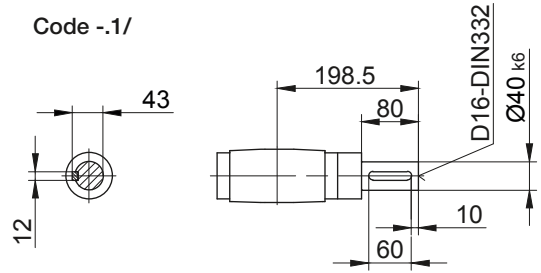
(Code -4.V/)



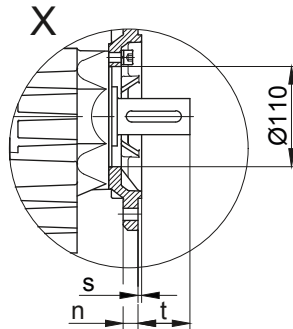
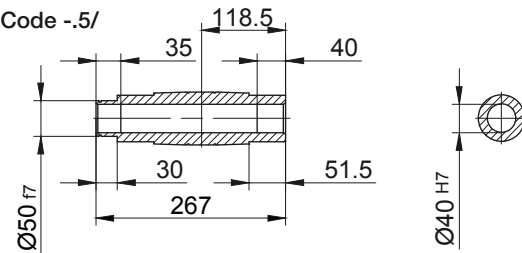
Code -4/



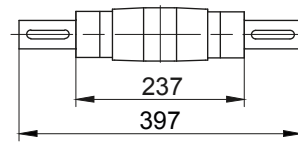
Code -1/



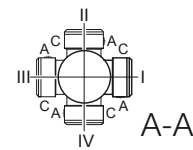
Code -5/



Code -3/



Standard



Flange Dimensions

Type	Design	k	l	m	n	o	p	q	s	t
BS30..	Code -3.V/	250	215	180	16	13,5	253,5	141	4	57,5
BS30..	Code -4.V/	300	265	230	20	13,5	259,5	147	4	51,5

Dimensions in millimetres (mm)

Type	a	b	c	d	i	Design with motor extensions				
						i _{TB}	Brake	Encoder	Brake with Encoder	Back Stop
							d _{ML}	d _{ML}	d _{ML}	d _{ML}
BS30-../D..05.A.	170.5	58	123	460.5	101	117	502.5	563	600.5	-
BS30Z-../D..05.A.	170.5	133.5	123	536	101	117	578	638.5	676	-
BS30-../D..06.A.	170.5	58	123	460.5	99	119	502.5	563	600.5	-
BS30Z-../D..06.A.	170.5	133.5	123	536	99	119	578	638.5	676	-
BS30-../D..07.A.	190.5	58	123	480.5	99	119	522.5	583	620.5	-
BS30Z-../D..07.A.	190.5	133.5	123	556	99	119	598	658.5	696	-
BS30-../D..08.A.	199.5	62	156	493.5	114.5	136.5	559.5	605.5	667	559.5
BS30Z-../D..08.A.	199.5	137.5	156	569	114.5	136.5	635	681	742.5	635
BS30-../D..08.B.	229.5	62	156	523.5	114.5	136.5	589.5	635.5	696.5	589.5
BS30Z-../D..08.B.	229.5	137.5	156	599	114.5	136.5	665	711	772	665
BS30-../D..09.A.	250.5	76.5	176	559	124	157	652	666.5	756	652
BS30Z-../D..09.A.	250.5	152	176	634.5	124	157	727.5	742	831.5	727.5
BS30-../D..09.B.	308.5	76.5	176	617	124	157	710	724	814	710
BS30Z-../D..09.B.	308.5	152	176	692.5	124	157	785.5	799.5	889.5	785.5
BS30-../D..11.A.	319	83	218	634	165	176	732	741.5	834	732
BS30-../D..11.B.	387	83	218	702	165	176	798	809.5	902	798

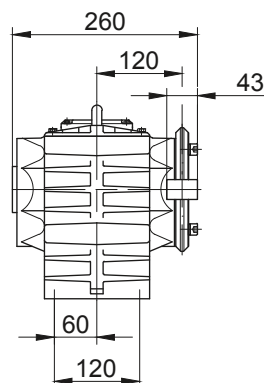
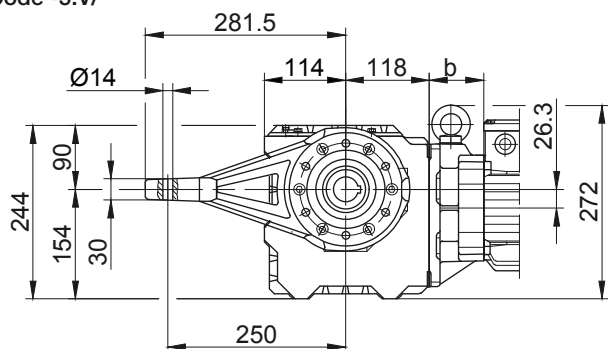
Dimensions in millimetres (mm)

The actual gearbox design can vary from the geometry shown. Generate drive specific 3D and 2D geometries under www.BauerCat.com.

BS30-BS30Z

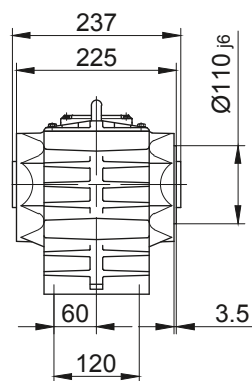
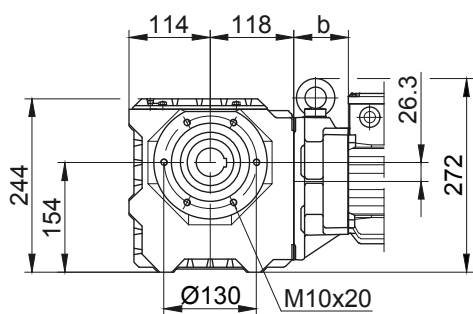
Torque arm at front

Code -5.V/



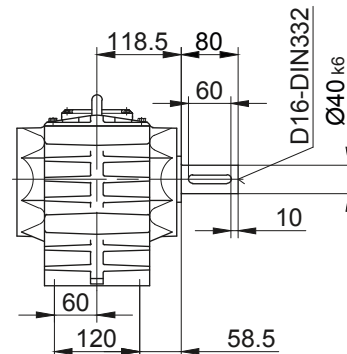
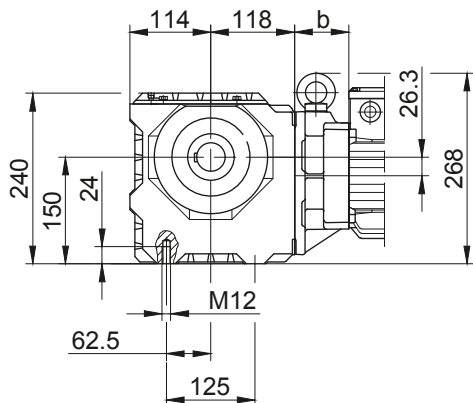
Flange with tapped holes at front

Code -7.V/



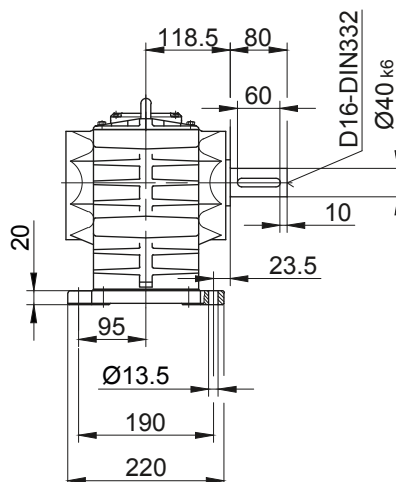
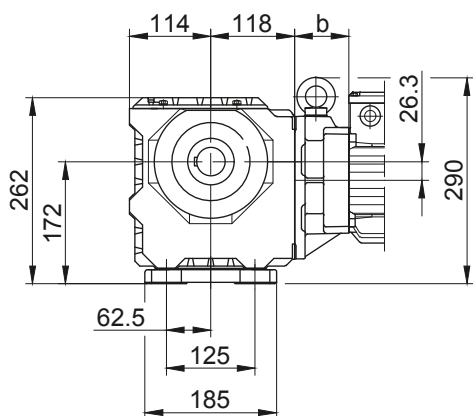
Foot with tapped holes at bottom

Code -6.U/



Foot with clearance holes at bottom

Code -1.U/



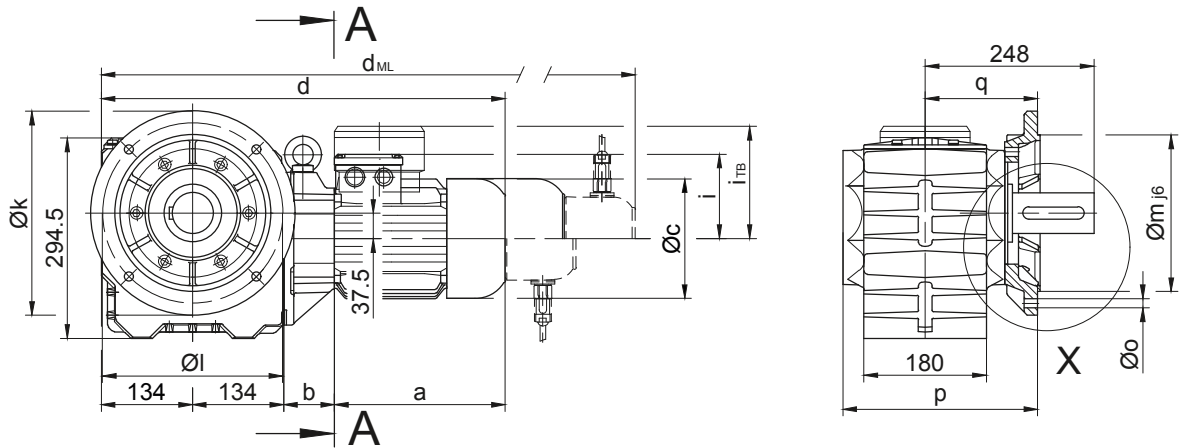
BS-series worm-gear motors

Dimension - Standard

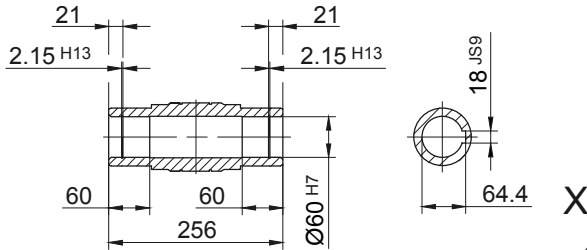
BS40-BS40Z

Flange with clearance holes at front

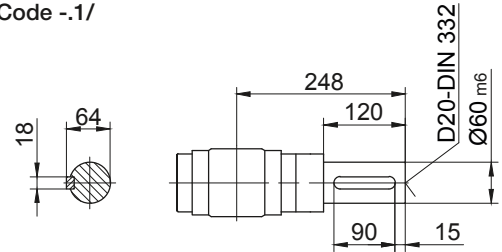
Code -3.V/



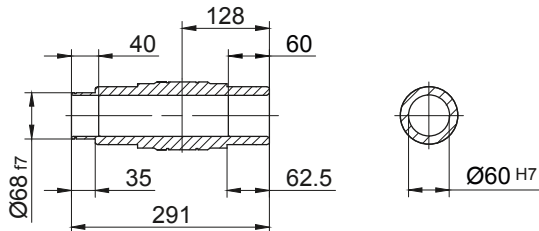
Code -4/



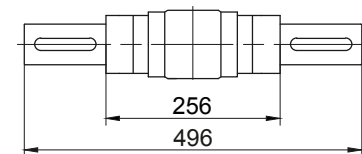
Code -1/



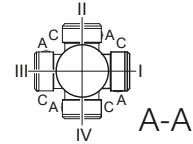
Code -5/



Code -3/



Standard



Flange Dimensions

Type	Design	k	l	m	n	o	p	q	s	t
BS40..	Code -3.V/	300	265	230	20	13,5	286	165	4	83

Dimensions in millimetres (mm)

Type	a	b	c	d	i	Design with motor extensions				
						i _{TB}	Brake	Encoder	Brake with Encoder	Back Stop
							d _{ML}	d _{ML}	d _{ML}	d _{ML}
BS40Z-../D..05.A.	170.5	138.5	123	577	101	117	619	679.5	717	-
BS40Z-../D..06.A.	170.5	138.5	123	577	99	119	619	679.5	717	-
BS40Z-../D..07.A.	190.5	138.5	123	597	99	119	639	699.5	737	-
BS40-../D..08.A.	199.5	60	156	527.5	114.5	136.5	593.5	639.5	701	593.5
BS40Z-../D..08.A.	199.5	142.5	156	610	114.5	136.5	676	722	783.5	676
BS40-../D..08.B.	229.5	60	156	557.5	114.5	136.5	623.5	669.5	730.5	623.5
BS40Z-../D..08.B.	229.5	142.5	156	640	114.5	136.5	706	752	813	706
BS40-../D..09.A.	250.5	74.5	176	593	124	157	686	700.5	790	686
BS40Z-../D..09.A.	250.5	157	176	675.5	124	157	768.5	783	872.5	768.5
BS40-../D..09.B.	308.5	74.5	176	651	124	157	744	758	848	744
BS40Z-../D..09.B.	308.5	157	176	733.5	124	157	826.5	840.5	930.5	826.5
BS40-../D..11.A.	319	81	218	668	165	176	766	775.5	868	766
BS40-../D..11.B.	387	81	218	736	165	176	832	843.5	936	832

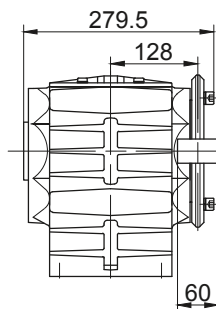
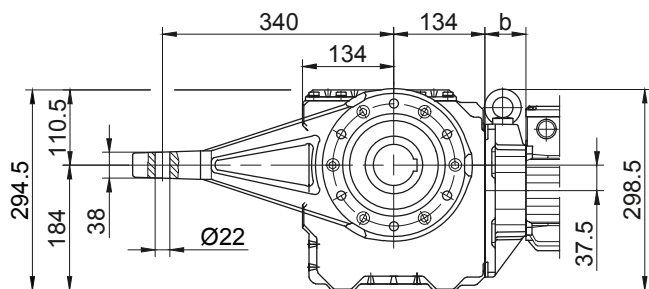
Dimensions in millimetres (mm)

The actual gearbox design can vary from the geometry shown. Generate drive specific 3D and 2D geometries under www.BauerCat.com.

BS40-BS40Z

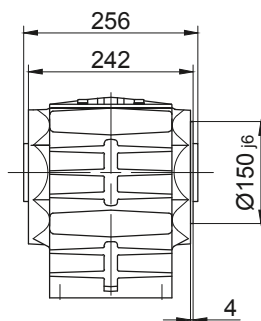
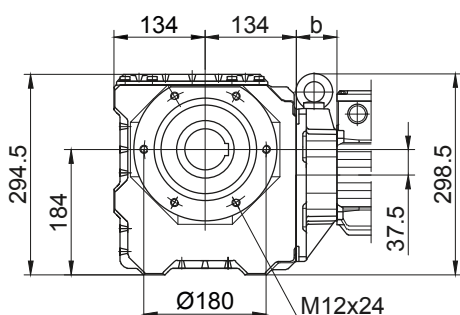
Torque arm at front

Code -5.V/



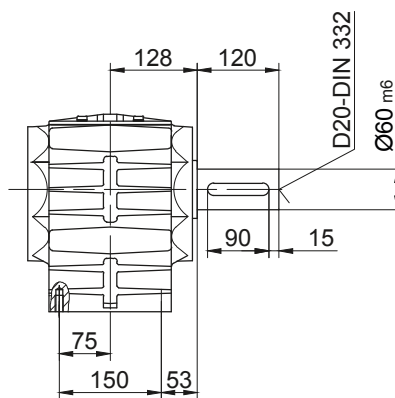
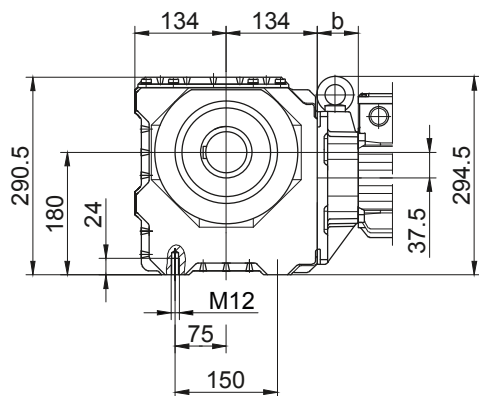
Flange with tapped holes at front

Code -7.V/



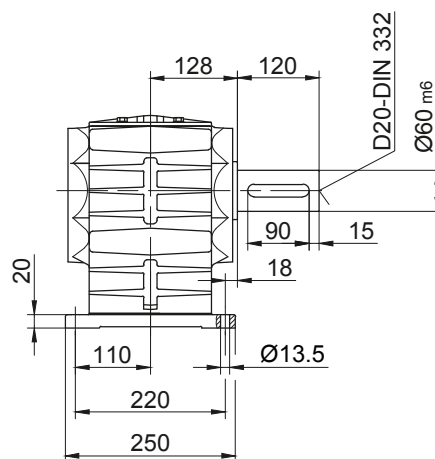
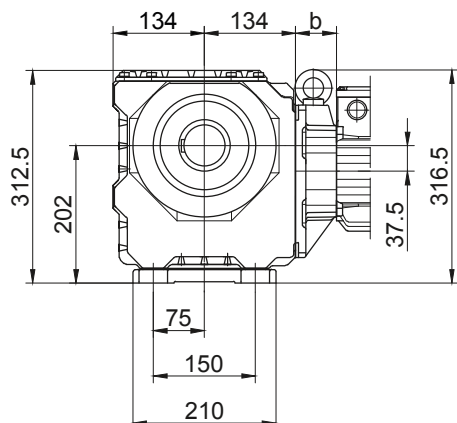
Foot with tapped holes at bottom

Code -6.U/



Foot with clearance holes at bottom

Code -1.U/



The actual gearbox design can vary from the geometry shown. Generate drive specific 3D and 2D geometries under www.BauerCat.com.

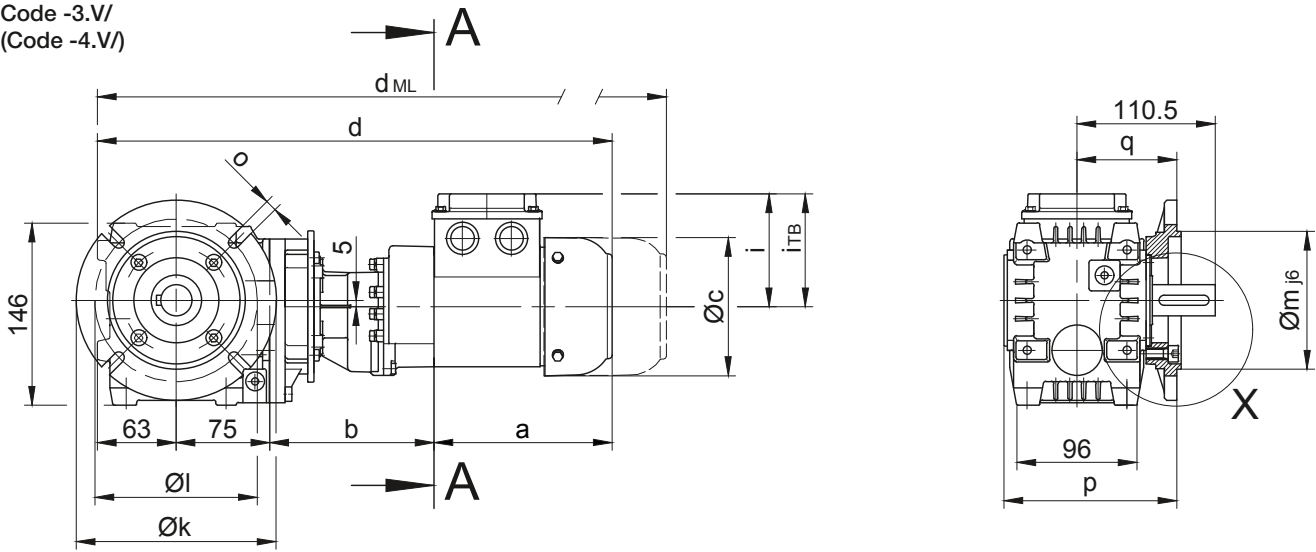
BS-series worm-geared motors

Dimension - Tandem Gearbox

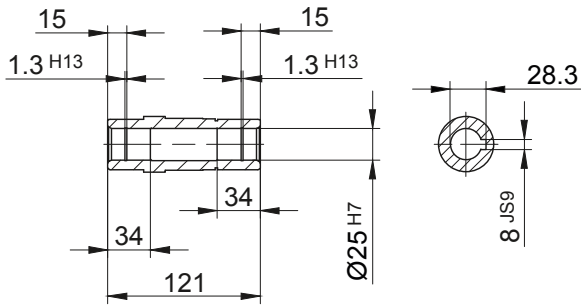
BS06G04

Flange with clearance holes at front

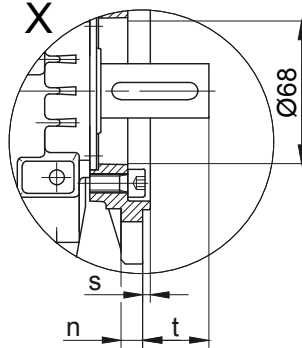
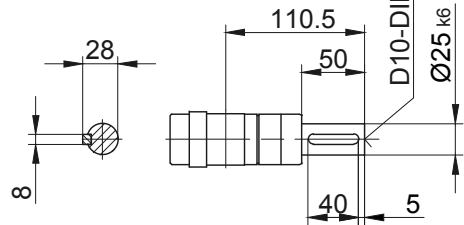
Code -3.V/
(Code -4.V)



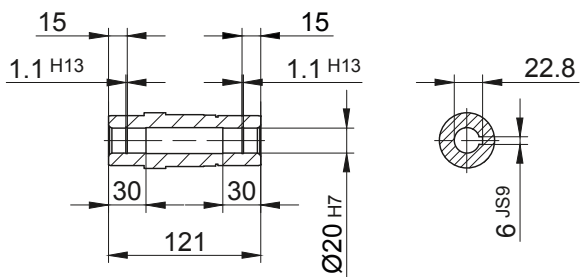
Code -4/
Standard



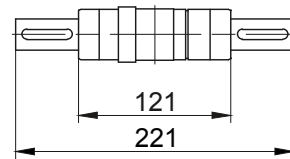
Code -.1/



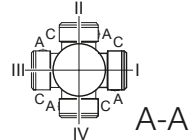
Code -4/K20



Code -3/



Standard



Flange Dimensions		k	l	m	n	o	p	q	s	t
Type	Design									
BS06..	Code -3.V/	140	115	95	10	9	138,3	80	3	30,5
BS06..	Code -4.V/	160	130	110	10	9	138,3	80	3,5	30,5

Dimensions in millimetres (mm)

Type	a	b	c	d	i	Design with motor extensions				
						i _{TB}	Brake	Encoder	Brake with Encoder	Back Stop
							d _{ML}	d _{ML}	d _{ML}	d _{ML}
BS06G04-../D04.A.	142.5	131	110.5	411.5	90	112	455	499	542.5	-

Dimensions in millimetres (mm)

The actual gearbox design can vary from the geometry shown. Generate drive specific 3D and 2D geometries under www.BauerCat.com.

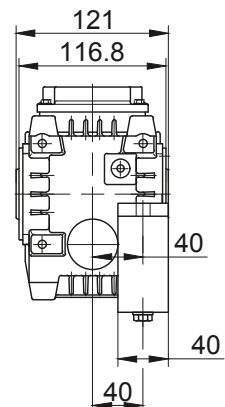
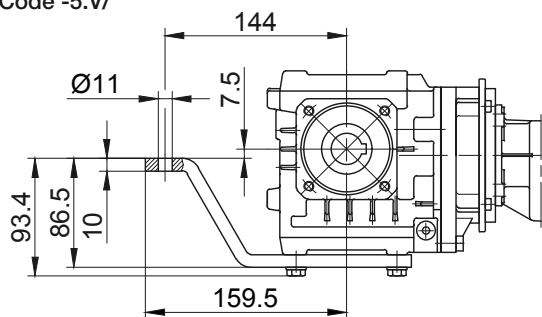
BS-series worm-geared motors

Dimension - Tandem Gearbox

BS06G04

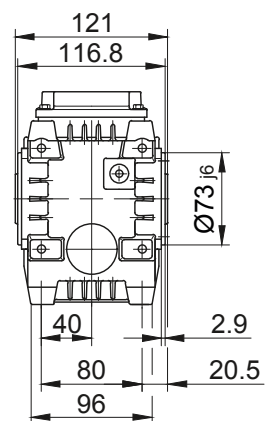
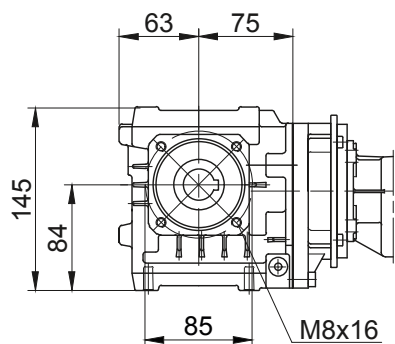
Torque arm at front

Code -5.V/



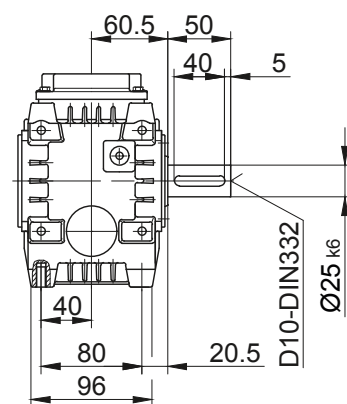
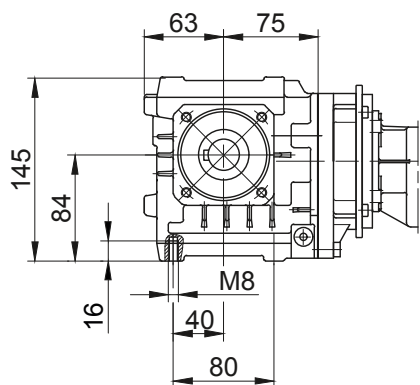
Flange with tapped holes at front

Code -7.V/



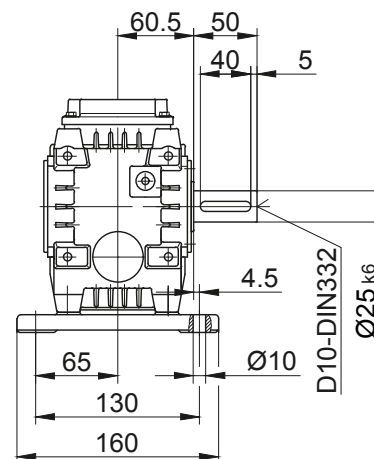
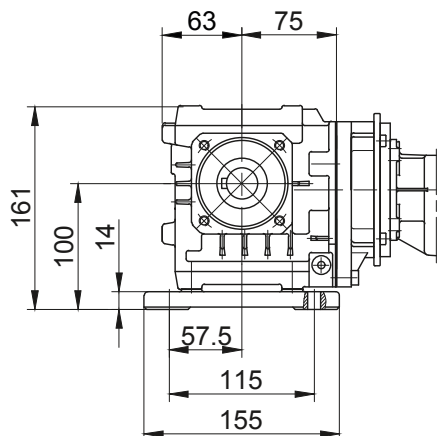
Foot with tapped holes at bottom

Code -6.U/



Foot with clearance holes at bottom

Code -1.U/



13

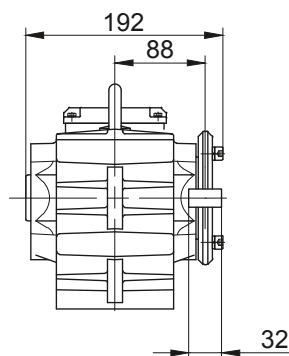
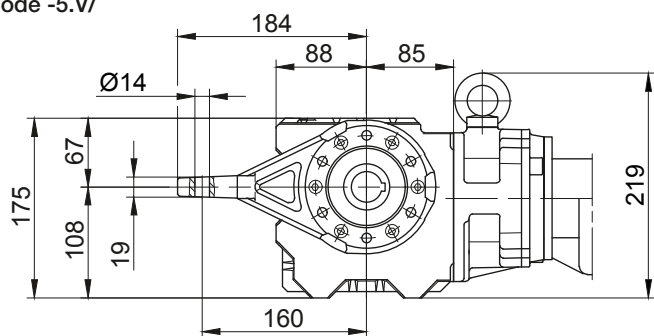
BS-series worm-gearred motors

Dimension - Tandem Gearbox

BS10G06

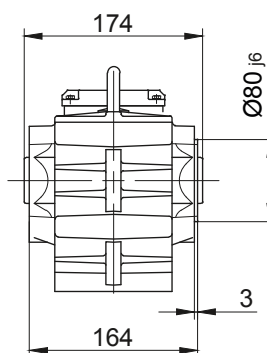
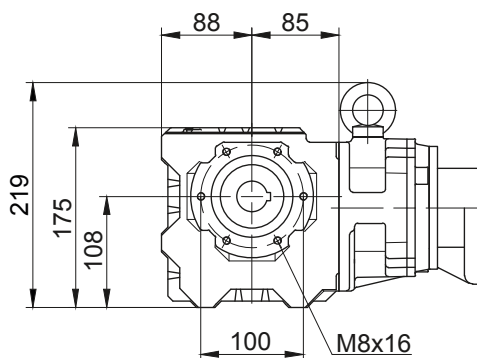
Torque arm at front

Code -5.V/



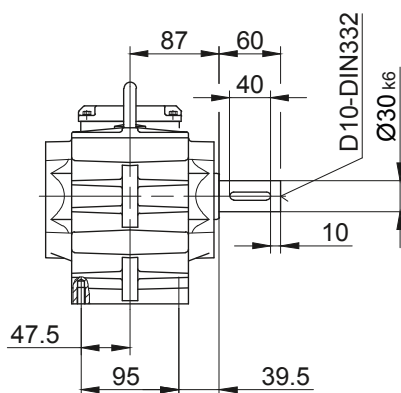
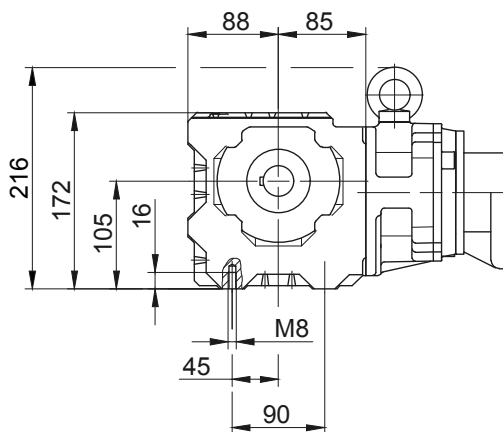
Flange with tapped holes at front

Code -7.V/



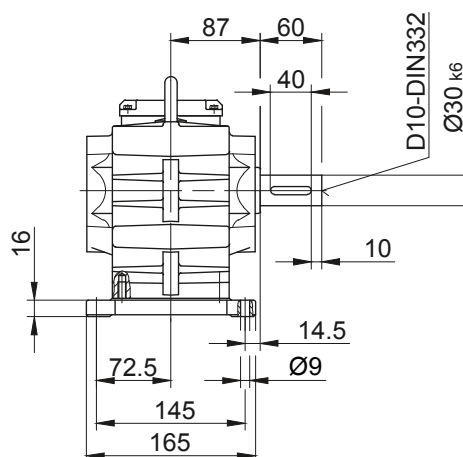
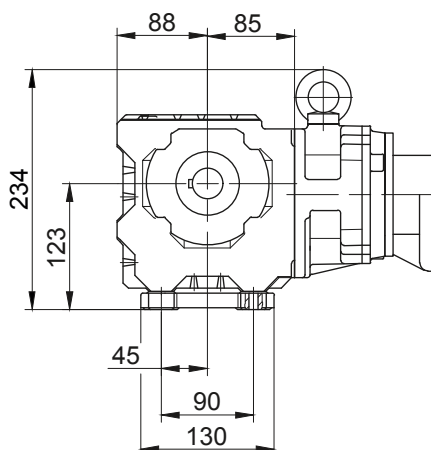
Foot with tapped holes at bottom

Code -6.U/



Foot with clearance holes at bottom

Code -1.U/



The actual gearbox design can vary from the geometry shown. Generate drive specific 3D and 2D geometries under www.BauerCat.com.

BS-series worm-geared motors

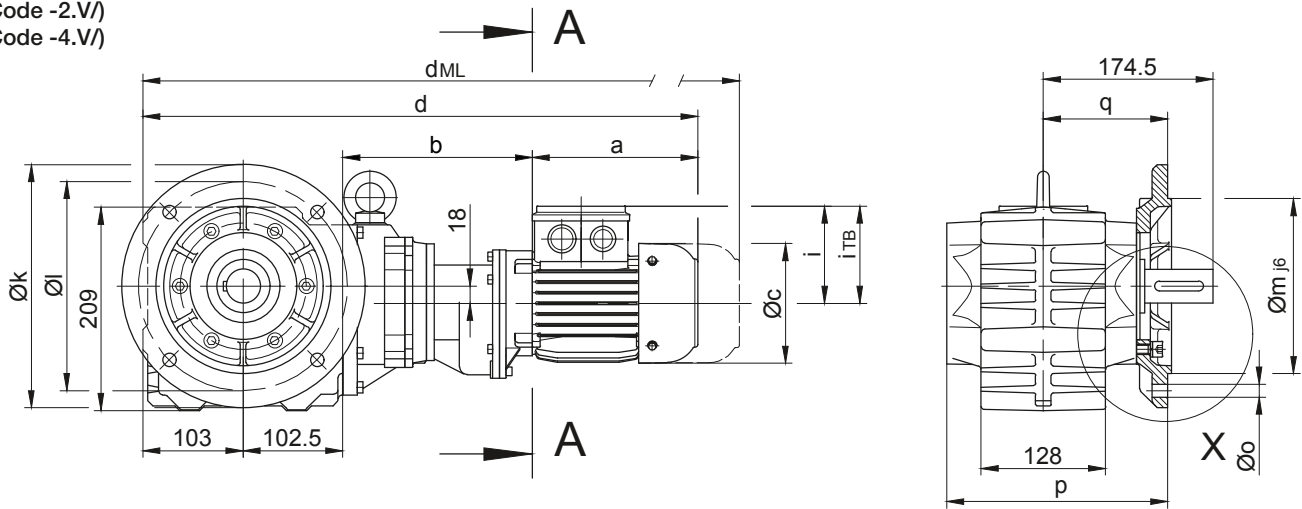
Dimension - Tandem Gearbox

BS20G06

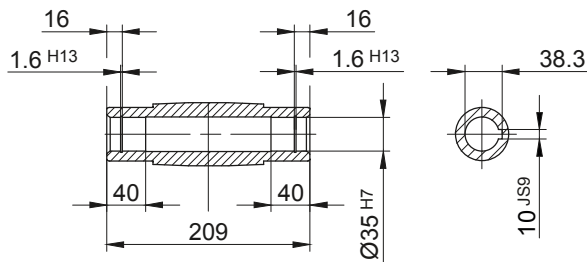
Flange with clearance holes at front

Code -3.V/
(Code -2.V/)

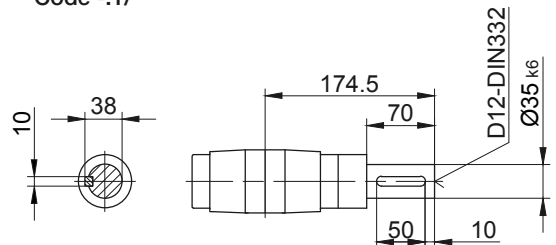
(Code -4.V/)



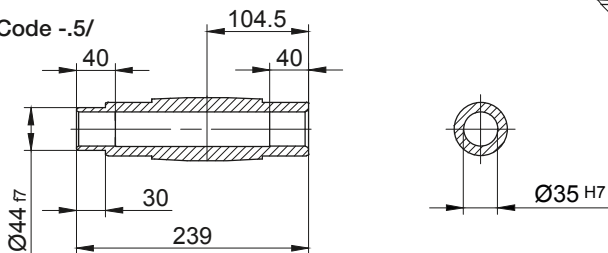
Code -4/



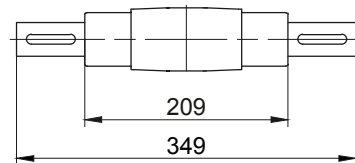
Code -1/



Code -5/



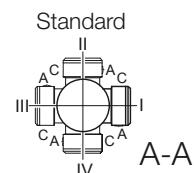
Code -3/



Flange Dimensions

Type	Design	k	l	m	n	o	p	q	s	t
BS20..	Code -3.V/	250	215	180	16	13,5	227,5	128	4	46,5
BS20..	Code -2.V/	200	165	130	12	11	224,5	125	3,5	49,5
BS20..	Code -4.V/	300	265	230	20	13,5	233,5	134	4	40,5

Dimensions in millimetres (mm)



Type	a	b	c	d	i	Design with motor extensions				
						i _{TB}	Brake	Encoder	Brake with Encoder	Back Stop
							d _{ML}	d _{ML}	d _{ML}	d _{ML}
BS20G06-.../D04.A.	142.5	193	110.5	541	90	112	584.5	628.5	672	-
BS20G06-.../D..05.A.	170.5	195	123	571	101	117	613	673.5	711	-
BS20G06-.../D..06.A.	170.5	195	123	571	99	119	613	673.5	711	-
BS20G06-.../D..07.A.	190.5	195	123	591	99	119	633	693.5	731	-
BS20G06-.../D..08.A.	199.5	239	156	644	114.5	136.5	710	756	817.5	710
BS20G06-.../D..08.B.	229.5	239	156	674	114.5	136.5	740	786	847	740

Dimensions in millimetres (mm)

The actual gearbox design can vary from the geometry shown. Generate drive specific 3D and 2D geometries under www.BauerCat.com.

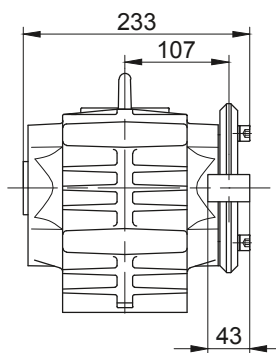
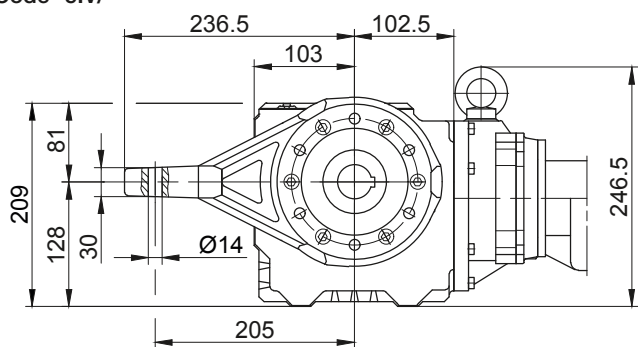
BS-series worm-geared motors

Dimension - Tandem Gearbox

BS20G06

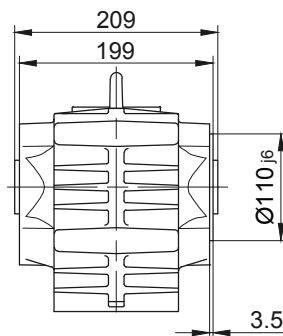
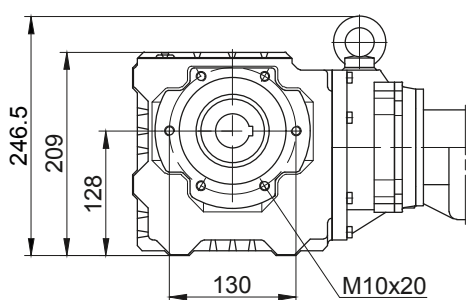
Torque arm at front

Code -5.V/



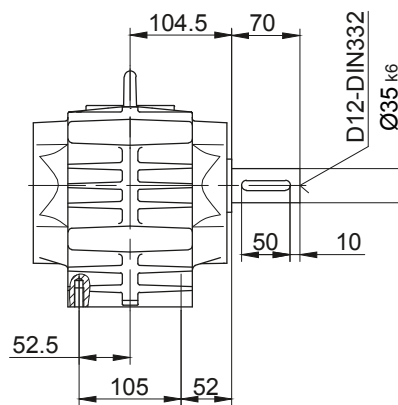
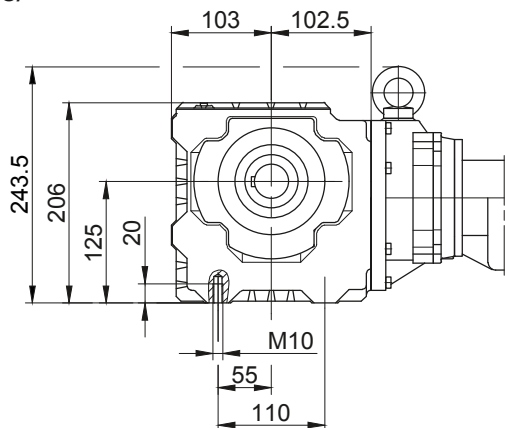
Flange with tapped holes at front

Code -7.V/



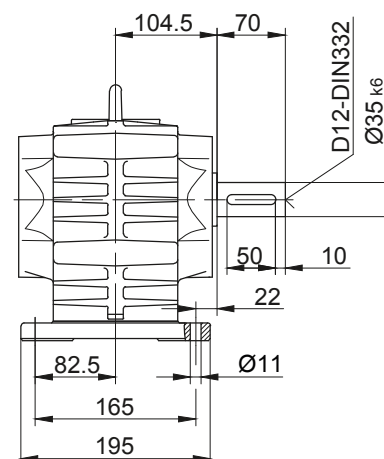
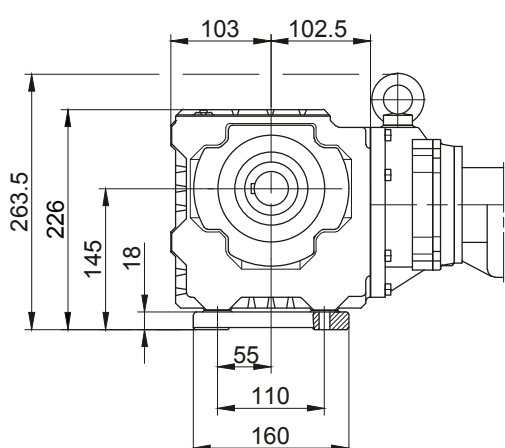
Foot with tapped holes at bottom

Code -6.U/



Foot with clearance holes at bottom

Code -1.U/



The actual gearbox design can vary from the geometry shown. Generate drive specific 3D and 2D geometries under www.BauerCat.com.

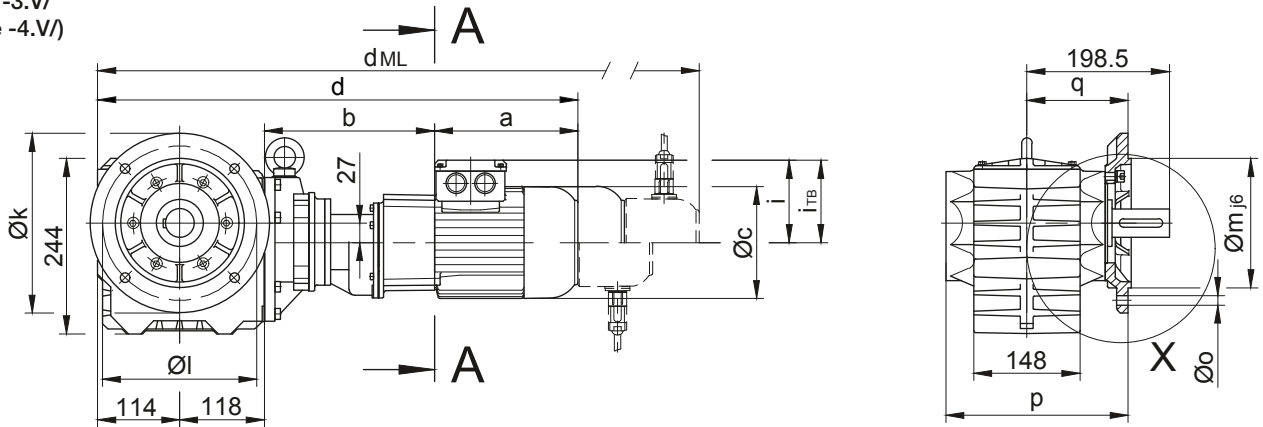
BS-series worm-geared motors

Dimension - Tandem Gearbox

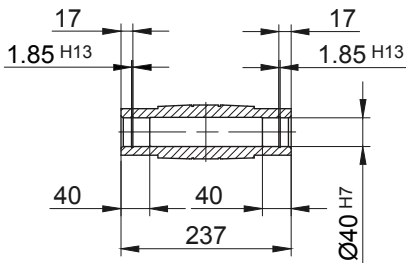
BS30G06

Flange with clearance holes at front

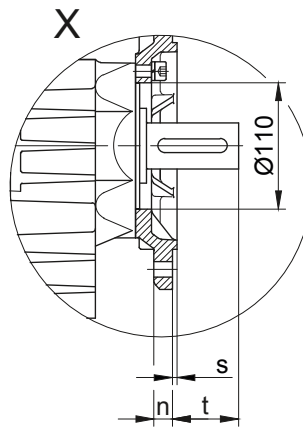
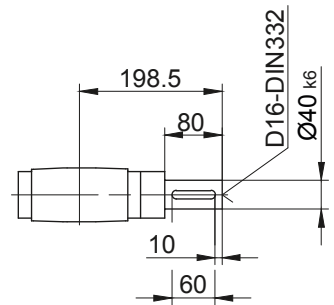
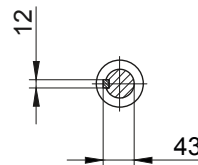
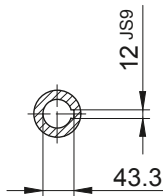
Code -3.V/
(Code -4.V)



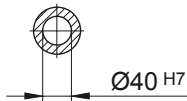
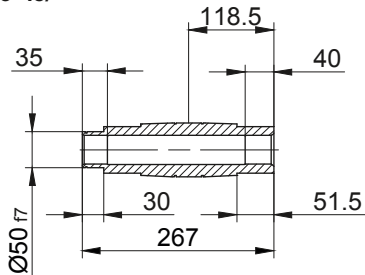
Code -4/



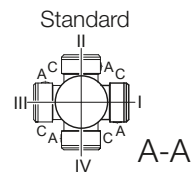
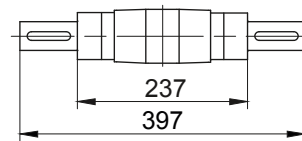
Code -1/



Code -5/



Code -3/



Type	Design	k	l	m	n	o	p	q	s	t
BS30..	Code -3.V/	250	215	180	16	13,5	253,5	141	4	57,5
BS30..	Code -4.V/	300	265	230	20	13,5	259,5	147	4	51,5

Dimensions in millimetres (mm)

Type	a	b	c	d	i	Design with motor extensions				
						i _{TB}	Brake	Encoder	Brake with Encoder	Back Stop
							d _{ML}	d _{ML}	d _{ML}	d _{ML}
BS30G06-../D04.A.	142.5	191	110.5	565.5	90	112	609	653	696.5	-
BS30G06-../D..05.A.	170.5	193	123	595.5	101	117	637.5	698	735.5	-
BS30G06-../D..06.A.	170.5	193	123	595.5	99	119	637.5	698	735.5	-
BS30G06-../D..07.A.	190.5	193	123	615.5	99	119	657.5	718	755.5	-
BS30G06-../D..08.A.	199.5	237	156	668.5	114.5	136.5	734.5	780.5	842	734.5
BS30G06-../D..08.B.	229.5	237	156	698.5	114.5	136.5	764.5	810.5	871.5	764.5

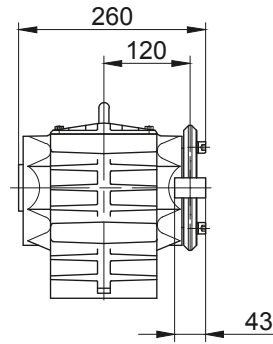
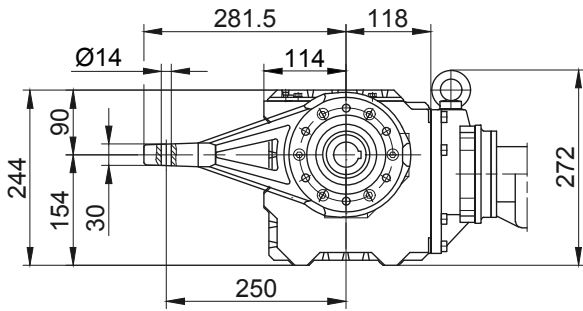
Dimensions in millimetres (mm)

The actual gearbox design can vary from the geometry shown. Generate drive specific 3D and 2D geometries under www.BauerCat.com.

BS30G06

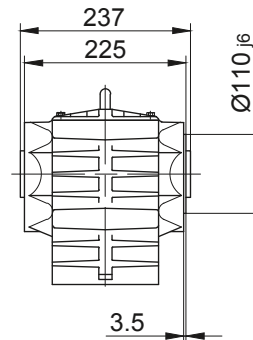
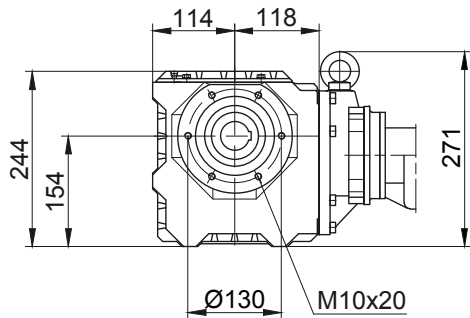
Torque arm at front

Code -5.V/



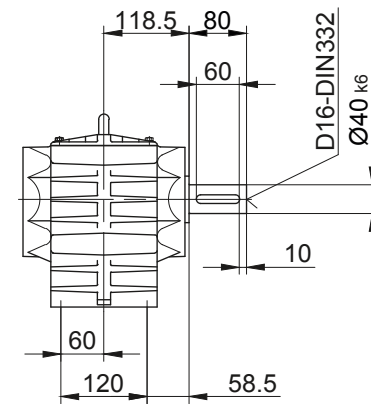
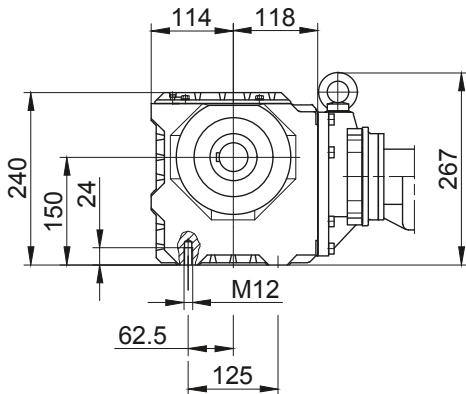
Flange with tapped holes at front

Code -7.V/



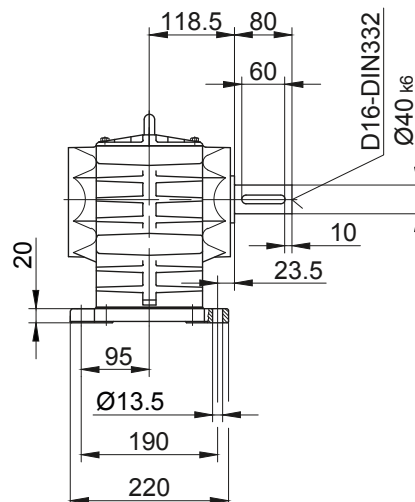
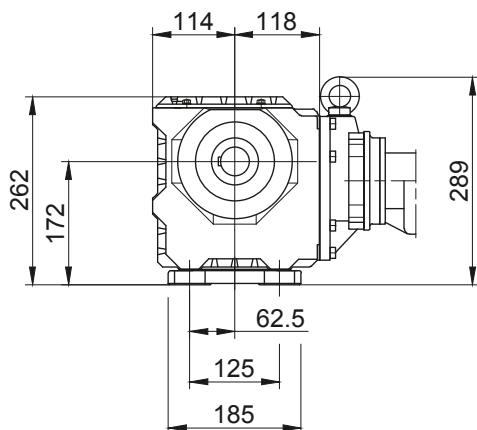
Foot with tapped holes at bottom

Code -6.U/



Foot with clearance holes at bottom

Code -1.U/



The actual gearbox design can vary from the geometry shown. Generate drive specific 3D and 2D geometries under www.BauerCat.com.

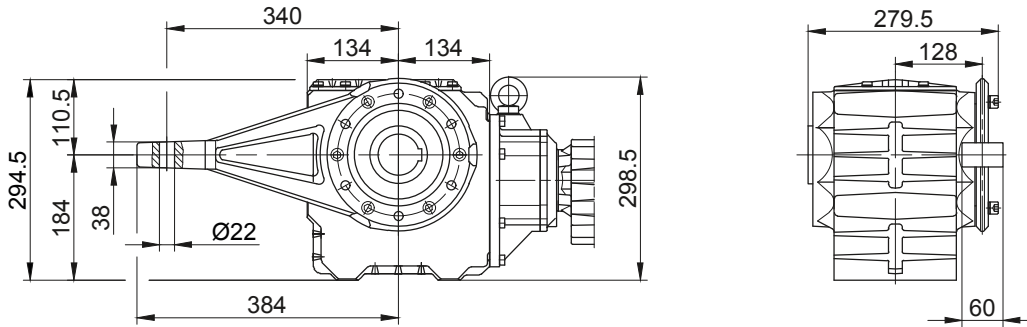
BS-series worm-gearred motors

Dimension - Tandem Gearbox

BS40G10

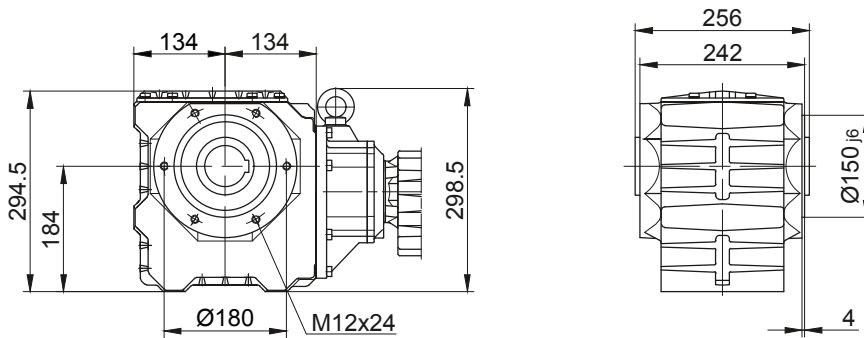
Torque arm at front

Code -5.V/



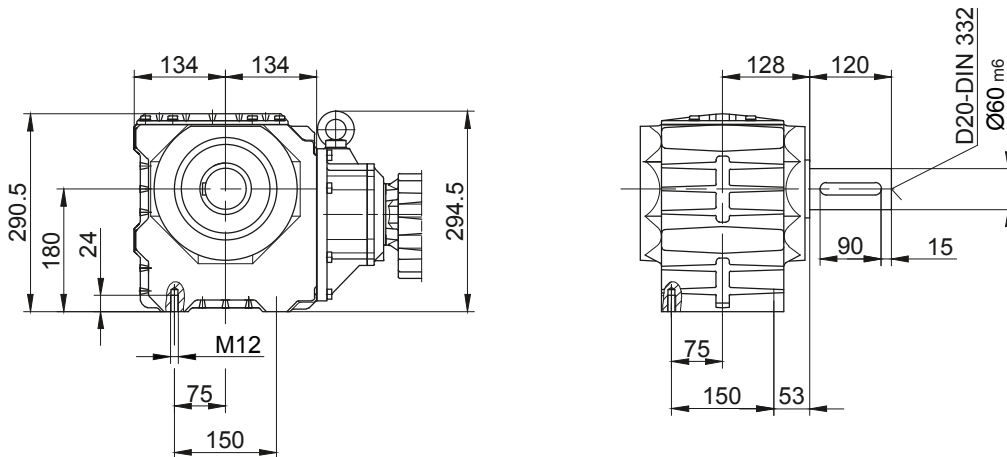
Flange with tapped holes at front

Code -7.V/



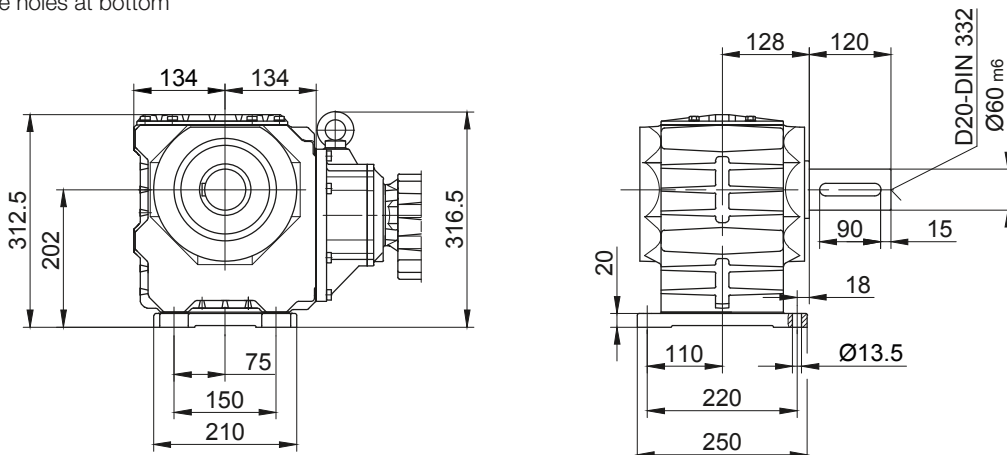
Foot with tapped holes at bottom

Code -6.U/



Foot with clearance holes at bottom

Code -1.U/



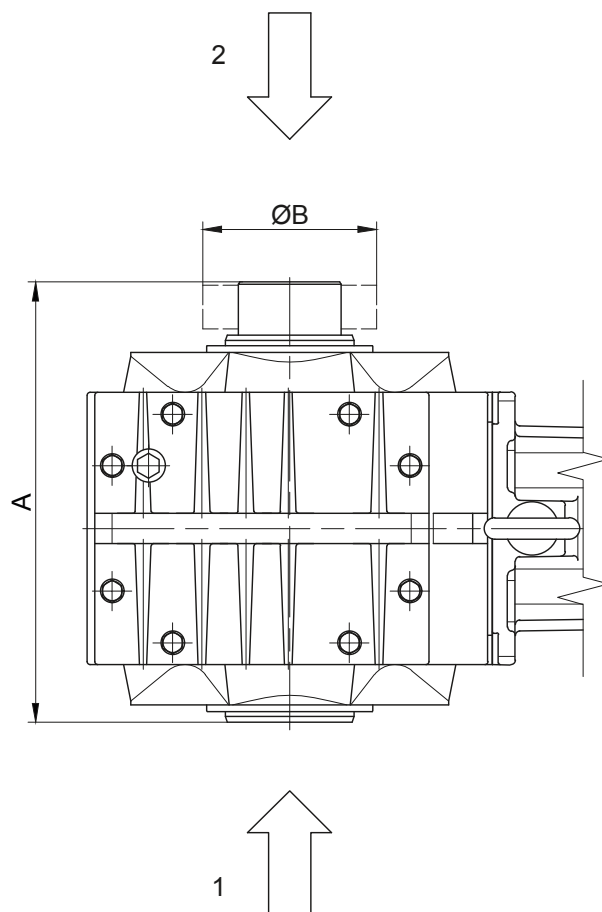
The actual gearbox design can vary from the geometry shown. Generate drive specific 3D and 2D geometries under www.BauerCat.com.

BS-series worm-gearred motors

Additional Dimension Sheet

Shrink disc couplings (SSV)

(Code BS10-.5A/...)



- 1 Gear side FRONT (V)
- 2 Gear side REAR (H)

Type	SSV Ringfeder	SSV STÜWE	A	B
BS10	RfN 4161 036x072	HSD 36-22x36	199	72
BS20	RfN 4161 044x080	HSD 44-22x44	239	80
BS30	RfN 4161 050x090	HSD 50-22x50	267	90
BS40	RfN 4161 062x110	HSD 68-22x68	291	115
Dimensions in millimetres (mm)				

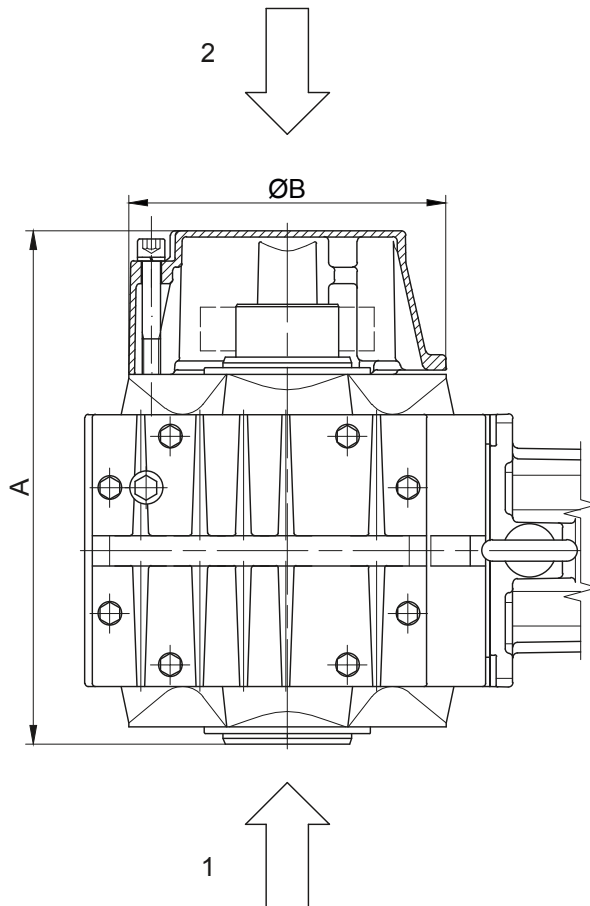
The actual gearbox design can vary from the geometry shown. Generate drive specific 3D and 2D geometries under www.BauerCat.com.

BS-series worm-geared motors

Additional Dimension Sheet

Shrink disc couplings with (SSV) cover

(Code BS10-.5A/...)



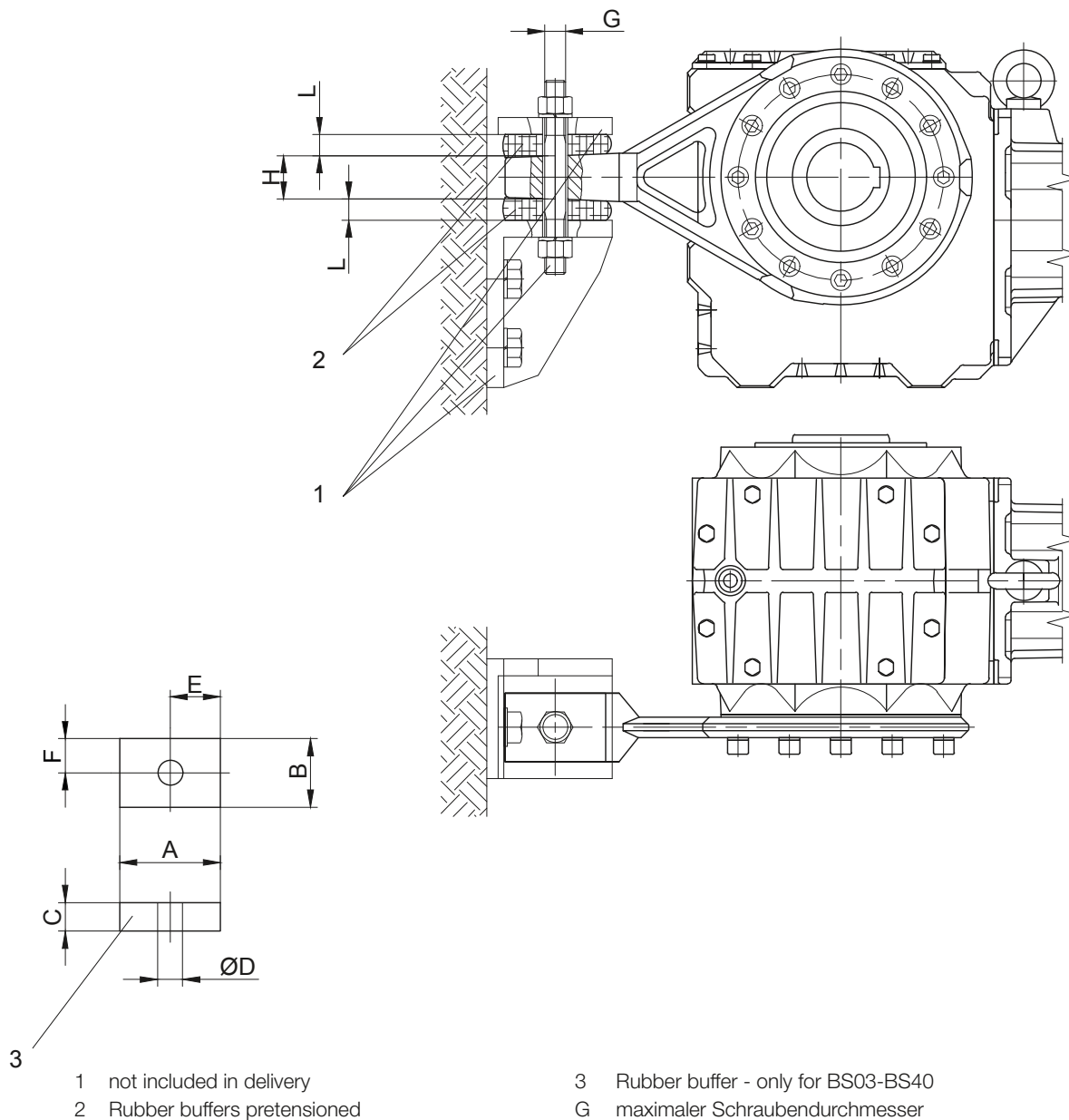
- 1 Gear side FRONT (V)
- 2 Gear side REAR (H)

Type	SSV Ringfeder	SSV STÜWE	A	B
BS10	RfN 4161 036x072	HSD 36-22x36	221	120
BS20	RfN 4161 044x080	HSD 44-22x44	286	160
BS30	RfN 4161 050x090	HSD 50-22x50	313	160
BS40	RfN 4161 062x110	HSD 68-22x68	340	210
Dimensions in millimetres (mm)				

BS-series worm-gear motors

Additional Dimension Sheet

Rubber buffer for torque arm



Material: Natural rubber
 Hardness 50 +/-5 Shore A

Dimensions of the transverse hole:
 see dimensioned sketch of the respective shaft mounted gearbox

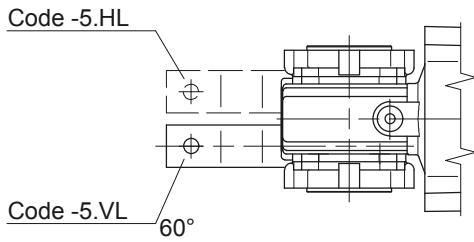
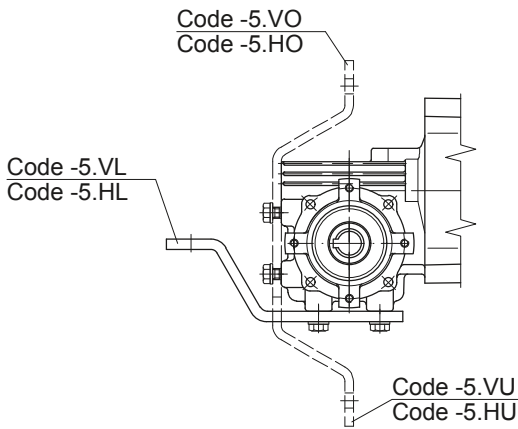
Gear	Position	A	B	C	D	E	F	G	H	L
BS02	-	-	-	-	-	-	-	M8	6	-
BS03	0	30	30	12	12	15	15	M8	10	10.5
BS04	0	30	30	12	12	15	15	M8	10	10.5
BS06	0	30	30	12	12	15	15	M10	10	10
BS10	1	48	32	15	14	24	16	M10	19	13
BS20	2	63	43	20	14	31.5	21.5	M10	30	17.5
BS30	2	63	43	20	14	31.5	21.5	M10	30	17
BS40	3	88	60	25	22	44	30	M18	38	22

Dimensions in millimetres (mm)

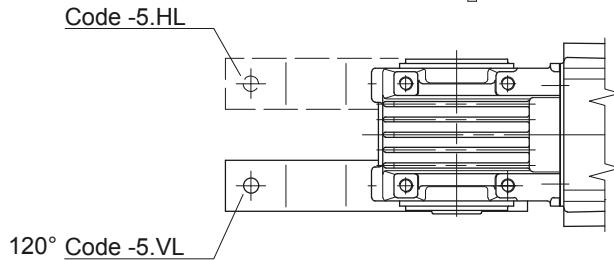
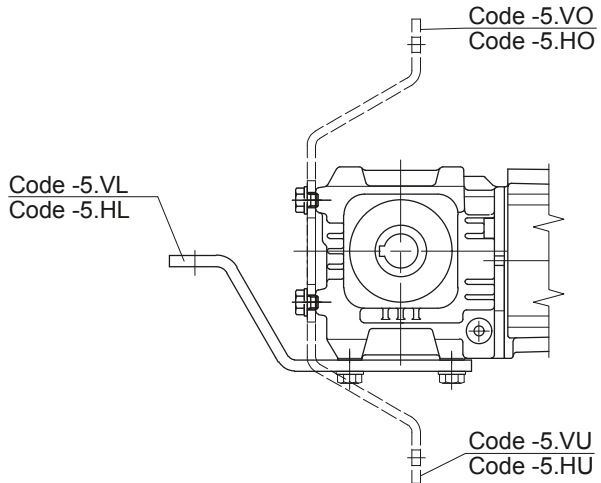
The actual gearbox design can vary from the geometry shown. Generate drive specific 3D and 2D geometries under www.BauerCat.com.

Position of the torque arm

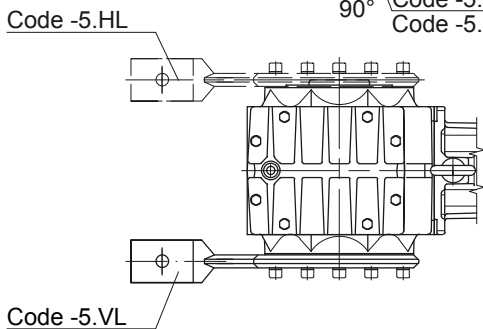
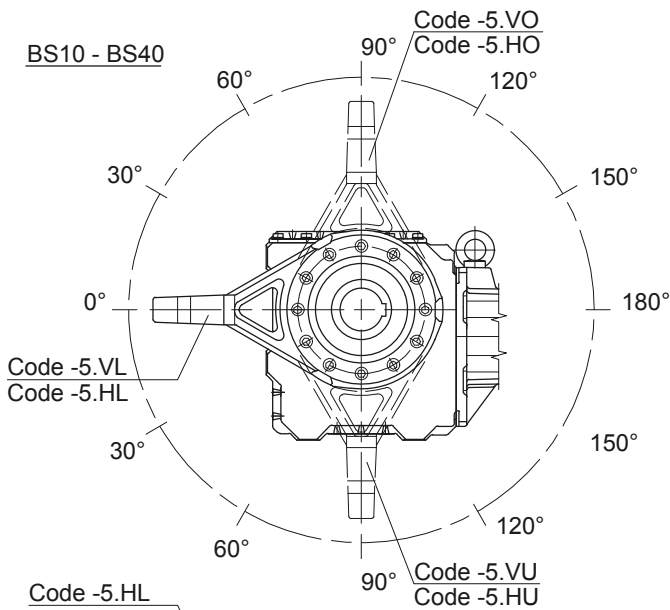
BS02 / BS03



BS04 / BS06



BS10 - BS40

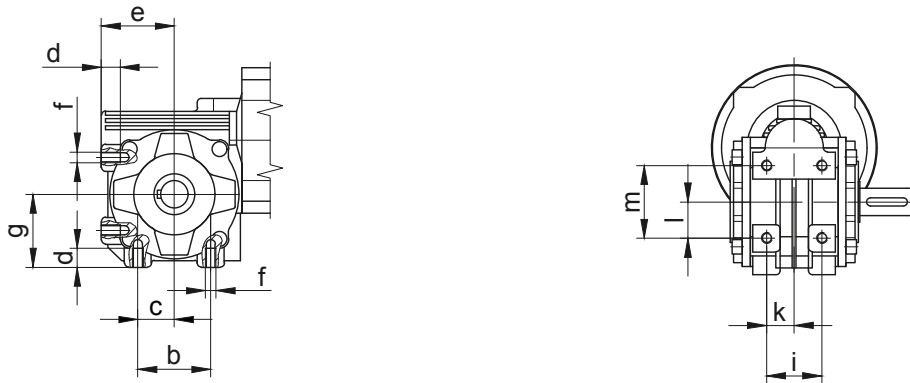


Gear	Position						
	VL/HL	VO/HO/VO/HU					VR/HR
BS10	0°	30°	60°	90°	120°	150°	-
BS20	0°	30°	60°	90°	120°	150°	-
BS30	0°	30°	60°	90°	120°	150°	-
BS40	0°	30°	60°	90°	120°	150°	-

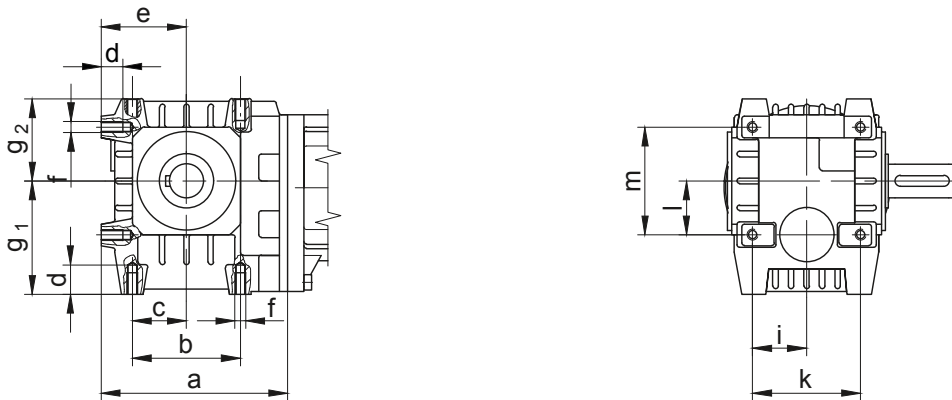
BS-series worm-geared motors

Additional Dimension Sheet

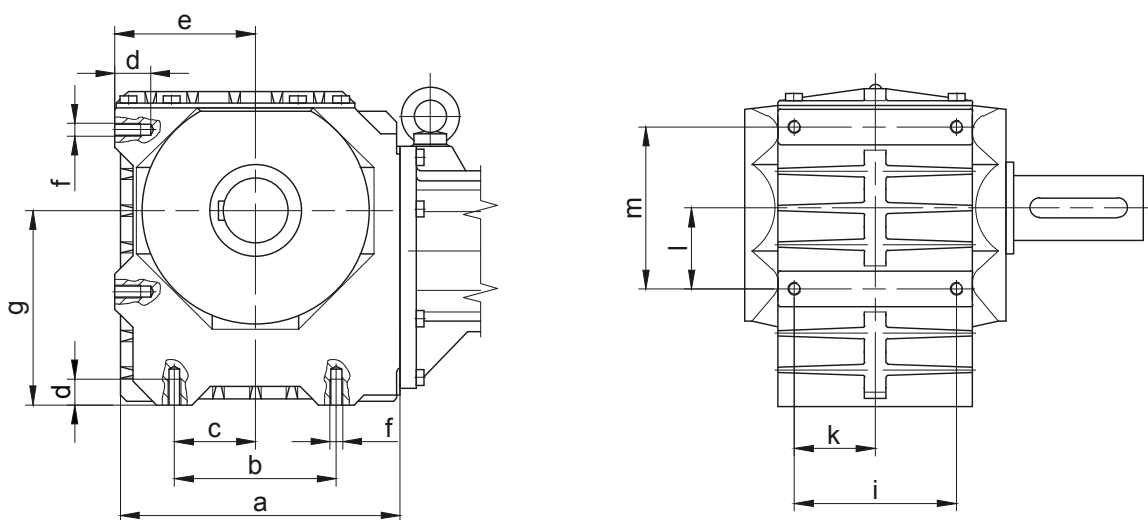
Threaded foot



Type	a	b	c	d	e	f	g	-	i	k	l	m
BS02	-	36	18	10	40	M6	40	-	32	16	18	36
BS03	-	54	27	14	54	M8	54	-	41	20.5	27	54



Type	a	b	c	d	e	f	g1	g2	i	k	l	m
BS04	111	60	30	15.5	50	M8	64	49.5	30	60	30	60
BS06	138	80	40	16	63	M8	84	61	40	80	40	80



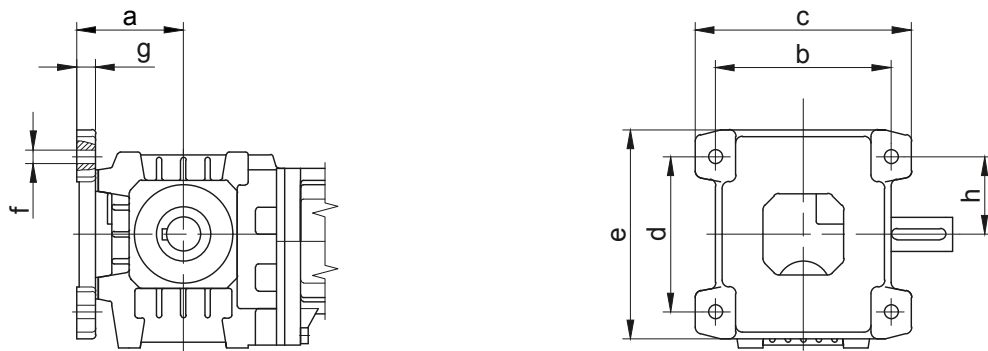
Type	a	b	c	d	e	f	g	-	i	k	l	m
BS10-BS10Z	170	90	45	16	85	M8	105	-	95	47.5	45	90
BS20-BS20Z	202.5	110	55	20	100	M10	125	-	105	52.5	55	110
BS30-BS30Z	228	125	62.5	24	110	M12	150	-	120	60	62.5	125
BS40-BS40Z	264	150	75	24	130	M12	180	-	150	75	75	150

The actual gearbox design can vary from the geometry shown. Generate drive specific 3D and 2D geometries under www.BauerCat.com.

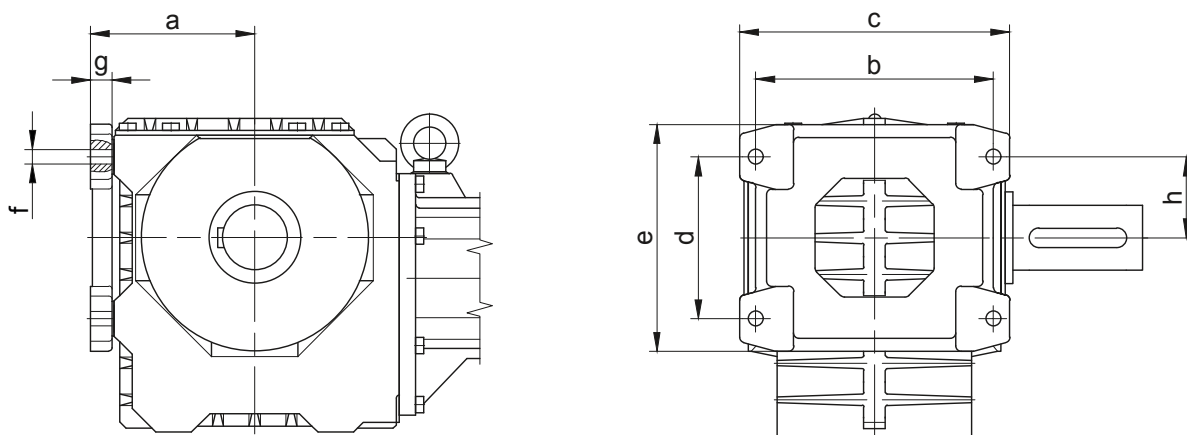
BS-series worm-gearred motors

Additional Dimension Sheet

Foot plate, left



Type	a	b	c	d	e	f	g	h
BS04	68	110	140	90	130	10	15	45
BS06	79	130	160	115	155	10	14	57.5

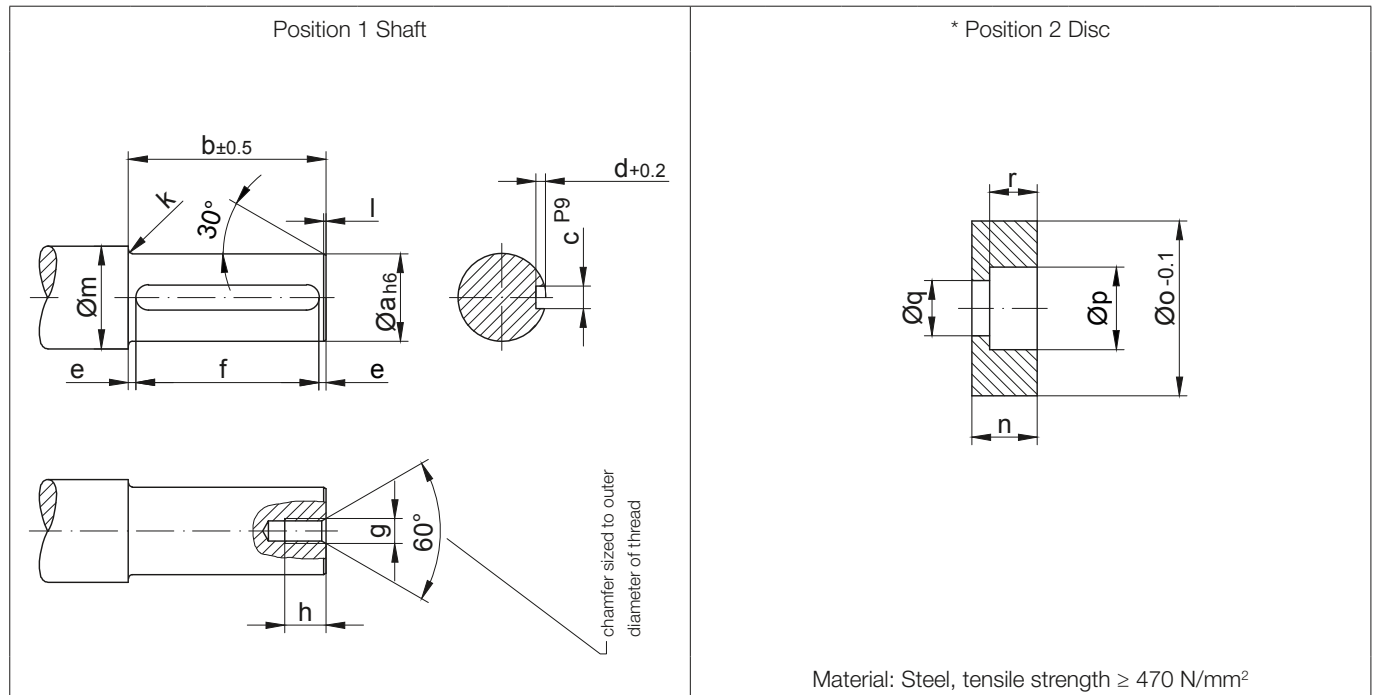


Type	a	b	c	d	e	f	g	h
BS10-BS10Z	103	145	165	90	130	Ø9	16	72.5
BS20-BS20Z	120	165	195	110	160	Ø11	18	55
BS30-BS30Z	132	190	220	125	185	Ø13.5	20	62.5
BS40-BS40Z	152	220	250	150	210	Ø13.5	20	75

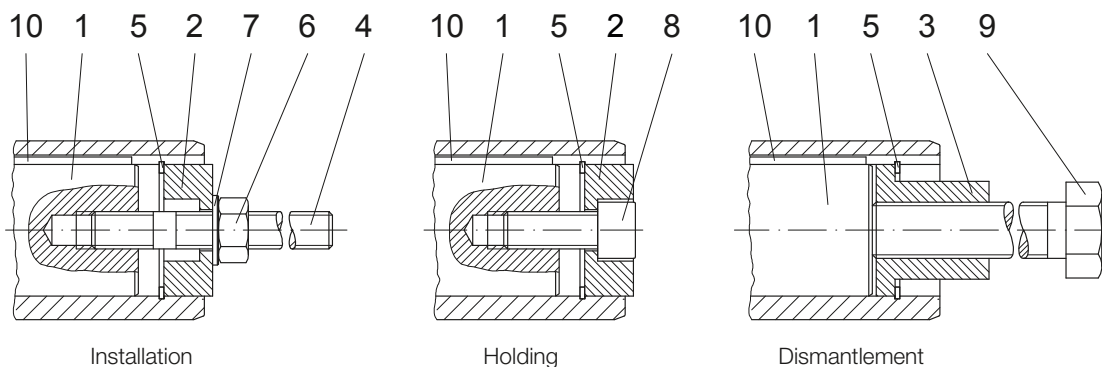
BS-series worm-geared motors

Additional Dimension Sheet

Assembly tools for hollow shaft and keyway



Type	Dimensions (mm)															
	Position 1 Shaft											Position 2 Disc				
	a	b	c	d	e	f	g	h	k	l	m	n	o	p	q	r
BS03	20	75	6	3.5	6	$63^{+0.3}$	M6	16	2	1.5	28	13.5	19.8	11	6.6	6.5
BS04	20	71	6	3.5	7.5	$56^{+0.3}$	M6	16	2	1.5	28	13.5	19.8	11	6.6	6.5
BS06	25	99	8	4	9.5	$80^{+0.3}$	M8	18	2.5	1.5	33	13.5	24.8	15	9	8.5
BS10	30	152	8	4	6	$140^{+0.5}$	M10	20	3	1.5	38	15	29.8	18	11	10
BS20	35	186	10	5	13	$160^{+0.5}$	M10	20	3	1.5	43	16	34.8	18	11	10
BS30	40	212	12	5	6	$200^{+0.5}$	M12	22	3	2	48	18	39.8	20	13.5	12
BS40	60	227	18	7	13.5	$200^{+0.5}$	M20	38	3.5	2	68	24	59.8	33	22	18



The parts shown are necessary for assembly. ONLY * specified parts are enclosed in the assembly kit. Suitable measures are to be used to secure Bolt Pos. 8 against loosening!

BS-series worm-geared motors

Additional Dimension Sheet

Assembly tools for hollow shaft and keyway

Position 3 Sleeve											* Position 4 Stud bolt												
Material: Steel, tensile strength ≥ 470 N/mm ²											Material: Steel, tensile strength ≥ 1000 N/mm ² Thread rolled												
Type	Dimensions (mm)										* Retaining ring DIN 472	Hexagon nut DIN 394-8	Disc DIN 125-St	* Filister head screw DIN 912-8.8	Starting torque (Nm)	Hexagon bolt DIN EN 24017-8.8	Key DIN 6885 Width/Height/Length						
	Position 3 Sleeve						Position 4 Stud bolt											Pos.5	Pos.6	Pos.7	Pos.8	Pos.9	Pos.10
	s	t	u	v	w	R	x	y	z	z1													
BS03	19.8	24	5	11	M8	-	120	90	18	M6	20x1.0	M6	6.4	M6x25	5	M8x110	A 8x7x63						
BS04	19.8	24	5	11	M8	-	120	90	18	M6	20x1.0	M6	6.4	M6x25		M8x110	A 8x7x56						
BS06	19.8	24	5	15.4	M12	0.8	150	120	20	M8	25x1.2	M8	8.4	M8x30		M12x140	A 8x7x80						
BS10	29.8	28	5	19.8	M14	0.8	210	175	23	M10	30x1.2	M10	10.5	M10x30	8	M14x190	A 8x7x140						
BS20	34.9	28	5	23	M14	-	250	215	23	M10	35x1.5	M10	10.5	M10x35		M14x230	A 10x8x160						
BS30	39.9	40	6	27.7	M20	0.8	280	240	28	M12	40x1.75	M12	13	M12x35	16	M20x270	A 12x8x200						
BS40	59.8	60	6	44	M30	-	320	260	45	M20	60x2.0	M20	21	M20x50	42	M30x310	A 18x11x200						

The parts shown are necessary for assembly. ONLY * specified parts are enclosed in the assembly kit. Suitable measures are to be used to secure Bolt Pos. 8 against loosening!

Optional

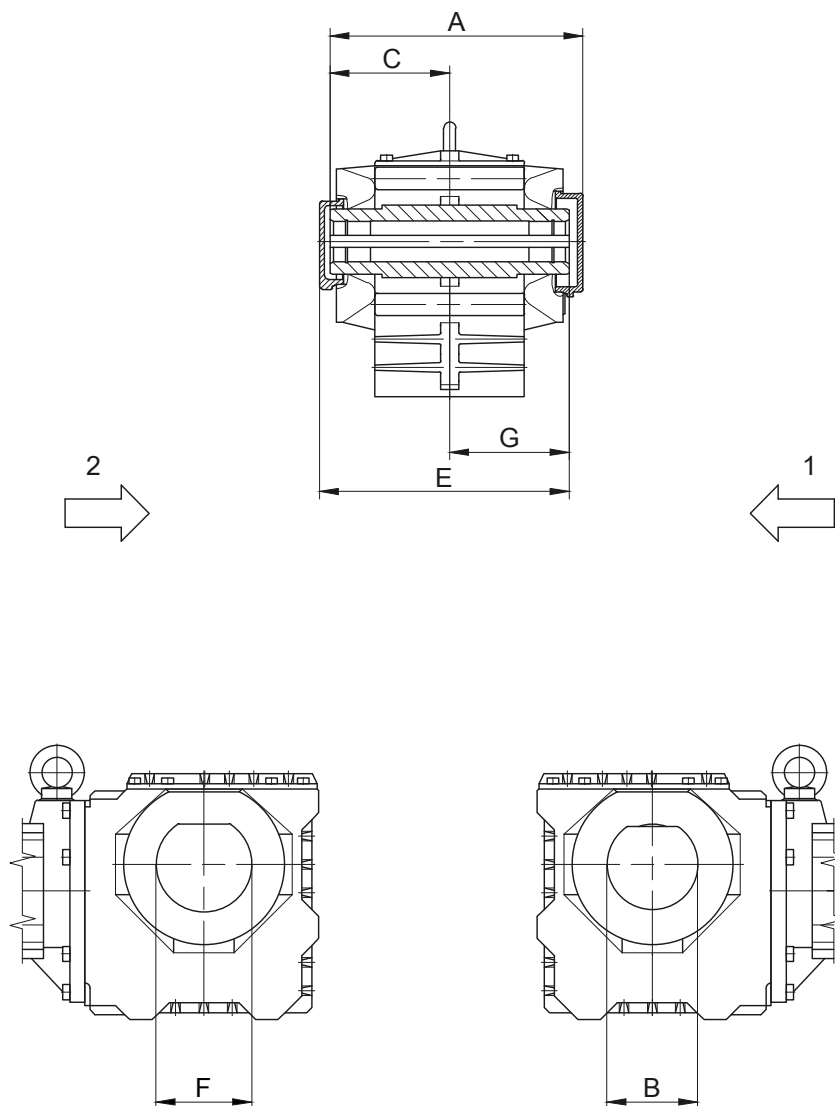
Type	Assembly tool „Holding“
BS03	Id.Nr. 4104013
BS04	Id.Nr. 4104013
BS06	Id.Nr. 4103921
BS10	Id.Nr. 4103939
BS20	Id.Nr. 4103947
BS30	Id.Nr. 4103955
BS40	Id.Nr. 4103971

13

BS-series worm-gear motors

Additional Dimension Sheet

Shaft cap (VK)



- 1 Gear side FRONT (V)
- 2 Gear side REAR (H)

Sealing cap REAR (H)			
Type	A	B	C
BS10	186	68	87
BS30	250.5	100	132
BS40	276	130	128
Dimensions in millimetres (mm)			

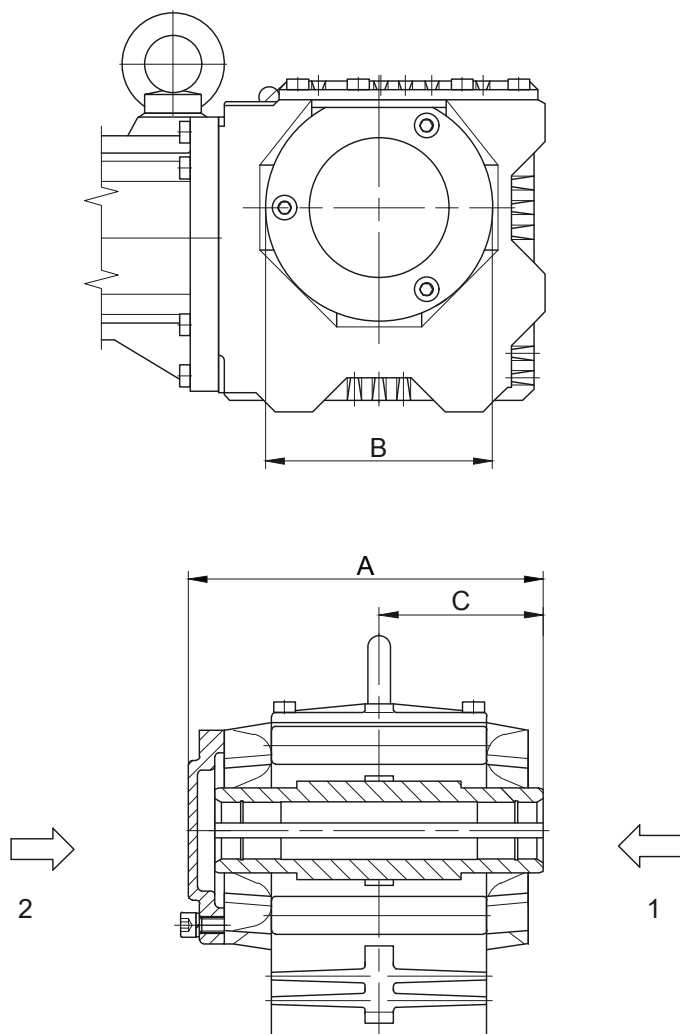
Sealing cap FRONT (V)			
Type	E	F	G
BS20	221	78	104.5
Dimensions in millimetres (mm)			

The actual gearbox design can vary from the geometry shown. Generate drive specific 3D and 2D geometries under www.BauerCat.com.

BS-series worm-gearred motors

Additional Dimension Sheet

Shaft cover (VD)

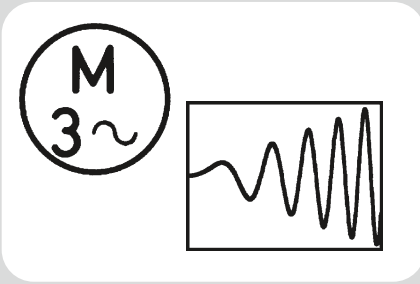


- 1 Gear side FRONT (V)
- 2 Gear side REAR (H)

Type	A	B	C
BS04	99.5	68	46.5
BS06	128.5	81	60.5
BS10	185	Ø120	87
BS20	224.5	Ø160	104.5
BS30	251.5	Ø160	118.5
BS40	275	Ø210	128
Dimensions in millimetres (mm)			

Energy Efficient Geared Motors

AC Line Operated / European Union



14

Motors

General	437
ErP Directive 2009/125/EC	437
Regulation (EU) 2019/1781	438
Torques	440
Line voltages	440
Line frequencies	441
Rating plate	441
Terminal box	441
Motor connections	442
Terminal connections for single speed motors	443
Terminal connections for single speed motors with thermal motor protection	444
Terminal connections for pole changing motors in Dahlander connection (Δ/Y Y or Y/Y Y)	445
Terminal connections for pole changing motors with two separate windings (Y/Y or Δ/Δ)	446
Plug-and-socket connection	447
Motor protection	448
Thermistors (PTC)	448
Thermostatic protection	449
KTY sensors	450
PT100 sensors	451
Insulation	452
IP – Protection classes	452
Degrees of protection provided by enclosures for electrical equipment.....	452
Speed of output shaft	453
Duty types as defined by EN 60034	454
General	454
Continuous running duty (S1)	454
Short-time duty (S2)	454
Intermittent periodic duty (S3)	455
Intermittent periodic duty with starting (S4)	456
Intermittent periodic duty with electric braking (S5)	457
Continuous-operation periodic duty (S6)	458
Continuous-operation periodic duty with electric braking (S7)	458
Continuous-operation periodic duty with relative load/speed changes (S8)	459
Duty with non-periodic load and speed variations (S9)	459
Duty with discreet constant loads and speeds (S10)	460
Operation with frequency converter.....	461
Notes on design	461
Increased torque with reduced duty factor	461
Increased torque with external fan	461
Energy-saving function	462
Regeneration	462
Notes on operation with other-make frequency inverters	462
Technical data.....	463
Continuous operation S1, 50 Hz	463
4-pole motors for continuous operation S1, line frequency 50 Hz.....	463
4-pole IE2 motors for continuous operation S1, line frequency 50 Hz.....	464
4-pole IE3 motors for continuous operation S1, line frequency 50 Hz.....	466
Operation with frequency converter, 50 Hz	468

Energy Efficient Geared Motors

AC Line Operated / European Union

◀ IE2 Motor torques for frequency-converter range 5 Hz - 70 Hz, line frequency 50 Hz	468
IE2 Motor torques for frequency-converter range 5 Hz - 120 Hz, line frequency 50 Hz	469
IE3 Motor torques for frequency-converter range 5 Hz - 70 Hz, line frequency 50 Hz	470
IE3 Motor torques for frequency-converter range 5 Hz - 120 Hz, line frequency 50 Hz	471
Intermittent operation S3/S6, 50 Hz	472
4-pole motors for periodic intermittent operation S3/S6-75 %, mains frequency 50 Hz	472
4-pole motors for periodic intermittent operation S3/S6, mains frequency 50 Hz.....	473
Continuous operation S1, 60 Hz	475
4-pole motors for continuous operation S1, mains frequency 60 Hz.....	475
4-pole IE2 motors for continuous operation S1, mains frequency 60 Hz.....	476
4-pole IE3 motors for continuous operation S1, line frequency 60 Hz.....	478
Operation with frequency converter, 60 Hz	480
IE2 Motor torques for frequency-converter range 5 Hz - 80 Hz, line frequency 60 Hz	480
IE2 Motor torques for frequency-converter range 5 Hz - 120 Hz, line frequency 60 Hz	481
IE3 Motor torques for frequency-converter range 5 Hz - 80 Hz, line frequency 60 Hz	482
IE3 Motor torques for frequency-converter range 5 Hz - 120 Hz, line frequency 60 Hz	483
Intermittent operation S3/S6, 60 Hz	484
4-pole motors for periodic intermittent operation S3/S6-75 %, mains frequency 60 Hz	484
4-pole motors for periodic intermittent operation S3/S6, mains frequency 60 Hz.....	485



ErP Directive 2009/125/EC

Directive 2009/125/EC of the European Parliament and the Council, issued in 2009, specifies requirements for the environmentally responsible design of energy-related products (ErPs). In November 2009 it superseded Directive 2005/32/EC, which formed the framework for requirements for the environmentally responsible design of energy-using products (EuPs). This change has no effect on already proclaimed implementation measures.

Objectives

The ErP Directive has several objectives:

1. Mitigating the environmental impact of energy-using products

This objective is intended to be achieved by the documentation and labelling of products, by regulations for inspection, and by the formulation of individual requirements in implementation measures. As the entire product life cycle is taken into consideration, action must be taken as early as the design phase.

2. Climate protection

Achievement of the EU climate protection objectives is to be supported. This can be implemented by reducing energy consumption and the emission of global warming gasses in the production, operation and disposal of energy-using products.

3. Harmonised legislation

The directive creates a framework for the European regulation of environmental design requirements. This avoids trade impediments resulting from differences in national regulations. This can be achieved by means of the proclamation of legally binding implementation measures for the entire Community and protection of free trade in goods against further-reaching regulations of the Member States.

Which motors are excluded from the scheme?

- Motors designed to be operated completely immersed in a liquid
- motors fully integrated into a product (e.g. a gearbox, a pump, a fan or a compressor) whose energy efficiency cannot be measured independently of that product
- at altitudes above 4000 meters above sea level
- at ambient temperatures above 60 °C
- at ambient temperatures below - 30 °C (any motor) or at ambient temperatures below 0 °C (air-cooled motor)
- in potentially explosive atmospheres within the meaning of Directive 94/9/EC of the European Parliament and of the Council
- Brake motors

Example:



Regulation (EU) 2019/1781

To establish eco-design requirements for electric motors and variable speed drives pursuant to Directive 2009/125/EC

Valid from: 01.07.2021

- Frequency converter 0.12 - 1,000 kW: IE2
- 3-phase motors 0.12 < 0.75 kW/2.4, 6 or 8 poles: IE2 (Excluded: Ex eb (DXE))
- 3-phase motors 0.75 - 1,000 kW/2.4, 6 or 8 poles: IE3 (Excluded: Ex eb (DXE))

ATTENTION:

Brake motors are no longer exempt!!
IE2 for inverter operation is no longer permitted!!!

Valid from: 01.07.2023

- 1-phase motors ≥ 0.12 kW: IE2
- Ex eb (DXE) Motors ≥ 0.12 kW: IE2
- 3-phase motors 75 kW – 200 kW 2, 4 or 6 pole: IE4
(Exempt: brake motor and all explosion-proof motors)

Scope

Induction electric motors without brushes, commutators, slip rings or electrical connections to the rotor, rated for operation on a 50 Hz, 60 Hz or 50/60 Hz sinusoidal voltage and having the following characteristics:

- 2-, 4-, 6- and 8-pole motors
- Rated power P_N between 0,12 kW and 1000 kW
- Rated voltage U_N over 50 V up to and including 1,000 V
- are designed for continuous operation (S_1 , $S_3 \geq 80$ % ED, $S_6 \geq 80$ % ED) and are intended for direct mains operation

Which engines are excluded from the scheme?

- Motors designed to be operated completely immersed in a liquid
- Motors fully integrated into a product (e.g. a gearbox, a pump, a fan or a compressor) whose energy efficiency cannot be measured independently of that product
- Motors with integrated frequency converter (compact drives) whose energy efficiency cannot be tested independently of the frequency converter
- Motors specifically designed and specified to operate exclusively
 - at altitudes exceeding 4000 m above sea-level
 - at ambient temperatures above 60 °C
 - at ambient temperatures below -30 °C
- Motors with integrated brake, which is an integral part of the inner motor construction and cannot be removed or supplied from a separate power source when testing the motor efficiency.
- Motors specifically qualified for the safety of nuclear installations, as defined in Article 3 of Council Directive 2009/71/EURATOM
- Motors with mechanical commutators
- Totally enclosed Non-Ventilated motors (TENV)
- Engines from the respective scope of application of the two deadlines 01.07.2021 or 01.07.2023, which were placed on the market before these deadlines, may continue to be placed on the market until 30.06.2029 as 1:1 replacements and may be specifically marketed as such
- Multi-speed motors, i.e. pole-changing motors
- Motors designed specifically for the traction of electric vehicles
- Motors in portable equipment whose weight is supported by hand during operation
- Motors in hand-held mobile equipment which are moved during operation
- Motors in cordless or battery-operated equipment
- Motors for underground mining (mines)

Method for determining the motor efficiency according to IEC 60034-2-1

Individual loss procedure

Additional losses according to residual loss method

Low measurement uncertainty

Bauer geared motors for connection to three-phase supply are supplied with specially designed induction motors. This design ensures maximum operating safety with high starting torque and minimum starting current.

The torque/speed characteristic is largely free of torque dips. Torque is optimised to suit requirements and application parameters. See "www.bauergears.com" for more information.

Torques

The torques as stated in the selection tables are fully available at the output shaft. These figures apply for continuous operation (S1-100 %) at a maximum ambient temperature of 40 °C and at site elevations up to 1000 m above sea level. Drives for higher ambient temperatures and site elevations are available on request. Gear efficiencies, which are lower than the usual values for spur gears, are taken into account in the torques listed in the selection tables.

Line voltages

BAUER motors are available as standard for the following three-phase line voltages:

Motor size	Standard voltages:
D..04LA4 - D..09X,4	220 V Δ / 380 V Y 50 Hz
0,06 - 2,2 kW	230 V Δ / 400 V Y 50 Hz*
	240 V Δ / 415 V Y 50 Hz**
	440 V Y / 60 Hz
	460 V Y / 60 Hz
from D..11SA4	220 V Δ / 380 V Y 50 Hz
from 3,0 kW	230 V Δ / 400 V Y 50 Hz
	240 V Δ / 415 V Y 50 Hz**
	440 V Y / 60 Hz
	460 V Y / 60 Hz
	380 V Δ / 660 V Y 50 Hz
	400 V Δ / 690 V Y 50 Hz*
	415 V Δ / 50 Hz**
	440 V Δ / 60 Hz
	460 V Δ / 60 Hz

*Voltage recommended world-wide by IEC 38 and in Europe by CENELEC.

**= Insulation Class F is necessary.

Designs for other voltages available on request and at extra cost.

Unless otherwise specified, motors for operation in conjunction with frequency converters with a 50 or 60 Hz frequency have a Y-circuit to optimise operating noise and winding load.

Unless otherwise stated, the tolerance for the rated voltage is +/- 5 %, in accordance with IEC 60034-1.

The D..04.. to D..18.. motors in 4 pole design can be operated within a tolerance of +/- 10 % of the rated voltage (400 V 50 Hz).

Line frequencies

All motors are available with the same power ratings for either 50 or 60 Hz. Increased power models are available on request.

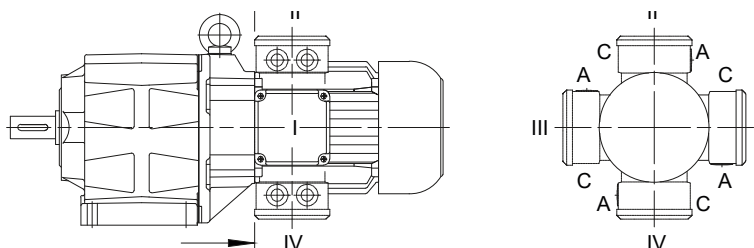
Rating plate

Bauer geared motors are supplied with a corrosion-proof rating plate as standard. The standard rating plate is made of special plastic tried and tested in many years of practical use and approved for hazardous areas by the Physikalisch-Technische-Bundesanstalt (PTB).

BAUER		73734 Esslingen Made in Germany	
3-Mot.-No. E 11115465-1	A/ 189D5829	44/2020	
Тип BK50-34V/DPE16XB4-TF			
15 кВт	COSφ 0,82	S1	кл. изоля. F
50 Гц		380 В	30,5 А
n ₁ 1470	n ₂ 280 об/мин	i 5,26	465 НМ
5-50-60 Гц	51-380-380 В	0,9-15-17,8 кВт	
	FU 100%	IE3 - 92,1 %	
IM H3	IP 65	5,8 L PGLP 220	
t _{amb} -20 ... 40 °C		190,3 кг	
CE		SCH03 EN60034	

Terminal box

The cables of motors with and without brakes can be introduced into the motor terminal box from side A or side C.

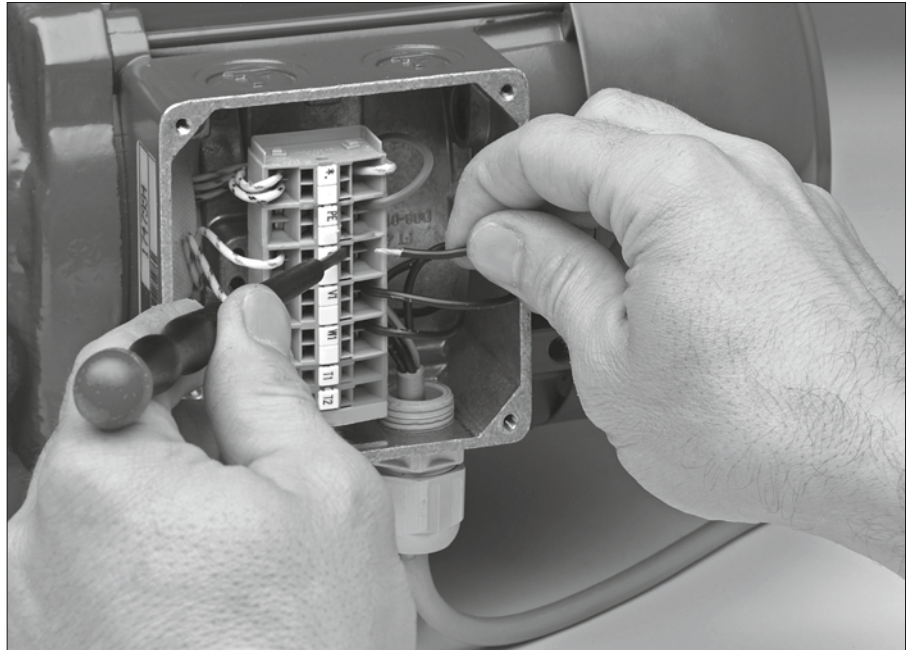


The standard position for the motor terminal box is shown in the dimensional drawings for the geared motors (see chapter 10,11,12 and 13). The terminal box can be installed at any of 3 other positions on request, if on-site space is restricted. The 4 possible positions are 90° offsets around the axis of the motor (dimensional drawing and designation for standard terminal box, see chapter 16 “Dimensional drawing standard terminal box”).

Cast-on terminal boxes (KAG) are supplied with knock out entries with metric nut for cable gland. Screw- on terminal boxes (TBI...4 are supplied with a metric screw thread as standard.

Motor connections

The electrical connection of gear motors is time consuming and creates costs, which cannot be neglected both during initial installation and in service cases. These costs are reduced considerably by the use of BAUER Gear Motors, have CAGE CLAMP® connection technology instead of the conventional terminal block – and that without extra charge.



What are the advantages for you ?

Cost reduction during connection

Public timing test have confirmed, that the electrical connection of a cable by means of CAGE CLAMP® technology saves up to 75 % working time compared with the classic screw connection.

Simple Handling

Cable connection from the top, very easily accessible: The CAGE CLAMP® spring is pressed, and the cable inserted from the front, i.e. in the field of vision of the installation engineer.

Which cable core diameters ?

Suitable for all copper wires from 0,5 mm² to 25 mm².

Cost saving in material and tooling

- multicore cable ends, cable eyes or cable ring eyes are no longer needed
- Tools such as crimping pliers are no longer needed
- Inadvertently over tightening or breaking of the terminal bolts and the procurement of a new terminal block belong in the past.
- Searching and procurement of nuts and washers for the terminal blocks, which have fallen down, also belongs in the past.

Vibration and shock resistant

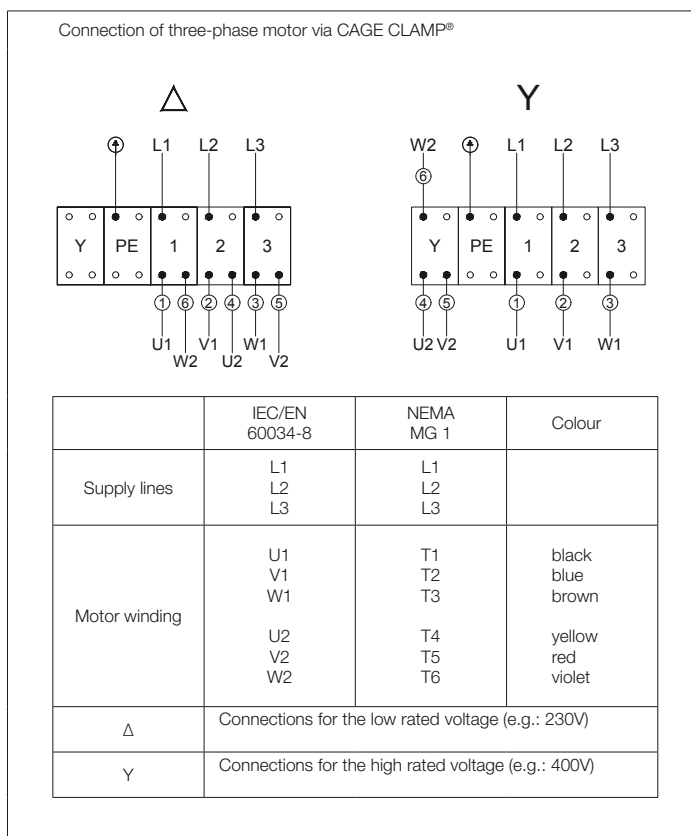
Vibration and shock result neither in conductor damage nor in a measurable contact interruption. The connection is service free.

Type of conductors

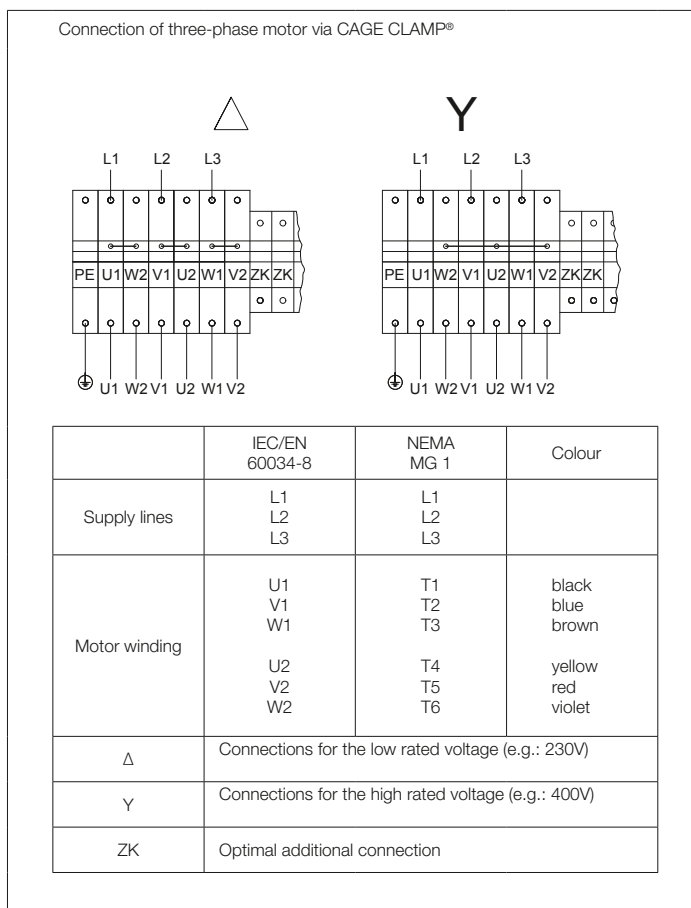
The CAGE CLAMP®-connector can clamp fine stranded, stranded and solid cores wires.

Terminal connections for single speed motors

Standard connection of three phase motors via CAGE CLAMP®.
D..04 - D..09



D..11 - D..18

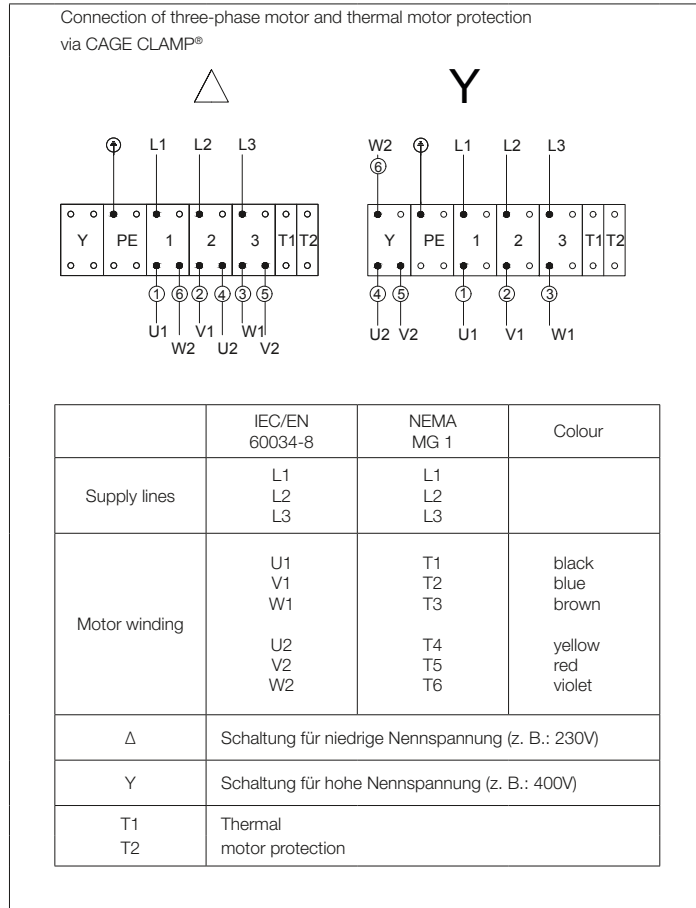


Motors

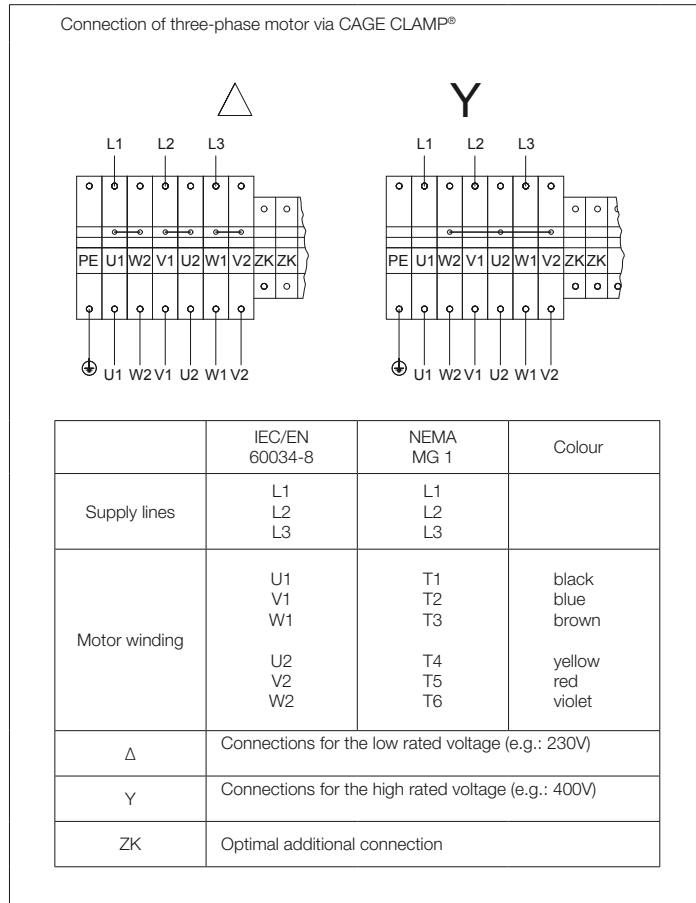
General

Terminal connections for single speed motors with thermal motor protection

Standard connection of three phase motors with thermal motor protection via CAGE CLAMP®.
D..04 - D..09



D..11 - D..18



Terminal connections for pole changing motors in Dahlander connection (Δ/YY or Y/YY)

Standard connection of three phase motors without motor protection via CAGE CLAMP®. D..04.. - D..09..

Motor 2 Speeds, Dahlander connection Δ/YY or Y/YY
(T1-T2 Thermal Motor protection optional)

	IEC/EN 60034-8	NEMA MG 1	Colour
Supply lines	L1 L2 L3	L1 L2 L3	
Motor winding	1U 1V 1W 2U 2V 2W	T1 T2 T3 T5 T6 T4	black blue brown yellow red violet
I	low speed		
II	high speed		

D..11D..18.

Connection of three phase motor via CAGE CLAMP®
Pole changing for 2 speeds; Dahlander connection Δ/YY

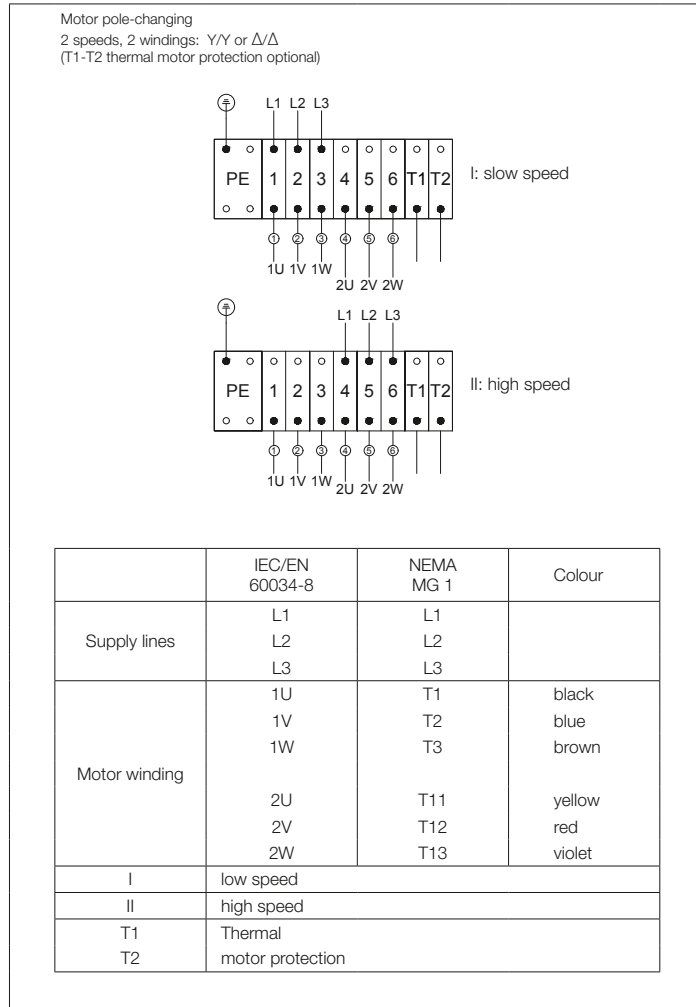
	IEC/EN 60034-8	NEMA MG 1	Colour
Supply lines	L1 L2 L3	L1 L2 L3	
Motor winding	1U 1V 1W 2U 2V 2W	T1 T2 T3 T4 T5 T6	black blue brown yellow red violet
I	low speed		
II	high speed		
ZK	Optimal additional connection		
*	Star point over Dahlander Relay		

Motors

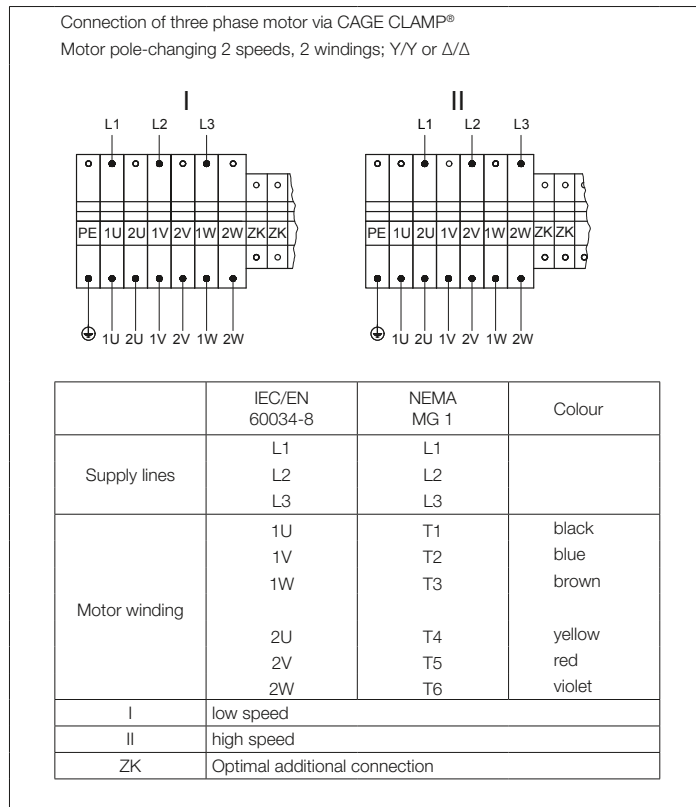
General

Terminal connections for pole changing motors with two separate windings (Y/Y or Δ/Δ)

Standard connection of three phase motors with motor protection via CAGE CLAMP®. D..04.. - D..09..



D..11 ... D..18



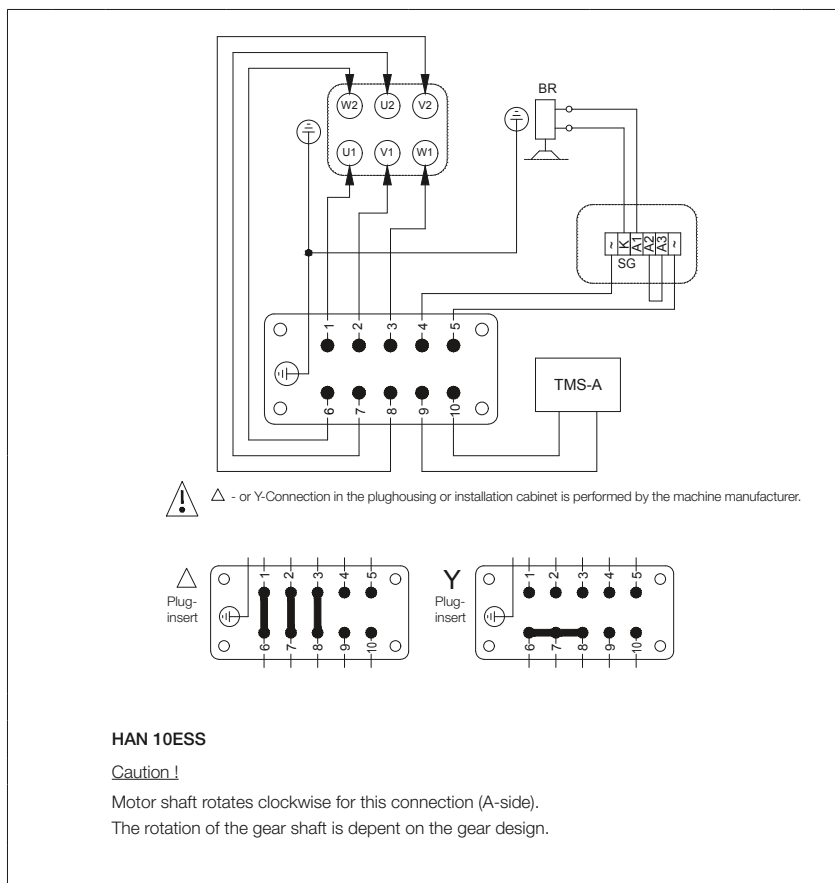
Plug-and-socket connection

D..06.. to D..16.. Bauer motors are available with plug-in motor connection. The socket housing is mounted on the fan-cowl side of the terminal box as standard. This layout minimises the protrusion caused by the plug.

The standard plug-and-socket type connection incorporates the attachment housing, pin insert and cover. Grommet-type housings and jack inserts are available on request at extra cost. Pin assignments on request (dimensional drawing, see chapter 17 "Dimensional drawing, plug-connector terminal box").



A design with single clamp lever according to the DESINA regulation of the „Verbandes Deutscher Werkzeugmaschinenhersteller“ (VDW) is also available.



The motors are also available with a low-cost round plug connector as an alternative. This is fitted at the factory in the standard terminal box and is also suitable for brake connection, thermistors and thermostats. Additional information on request.

Bauer motors from D..08.. with motor-mounted brake are also available with plug-in brake connection. This means that if it requires attention, the brake can be replaced on site with no loss of time.

Motors

General

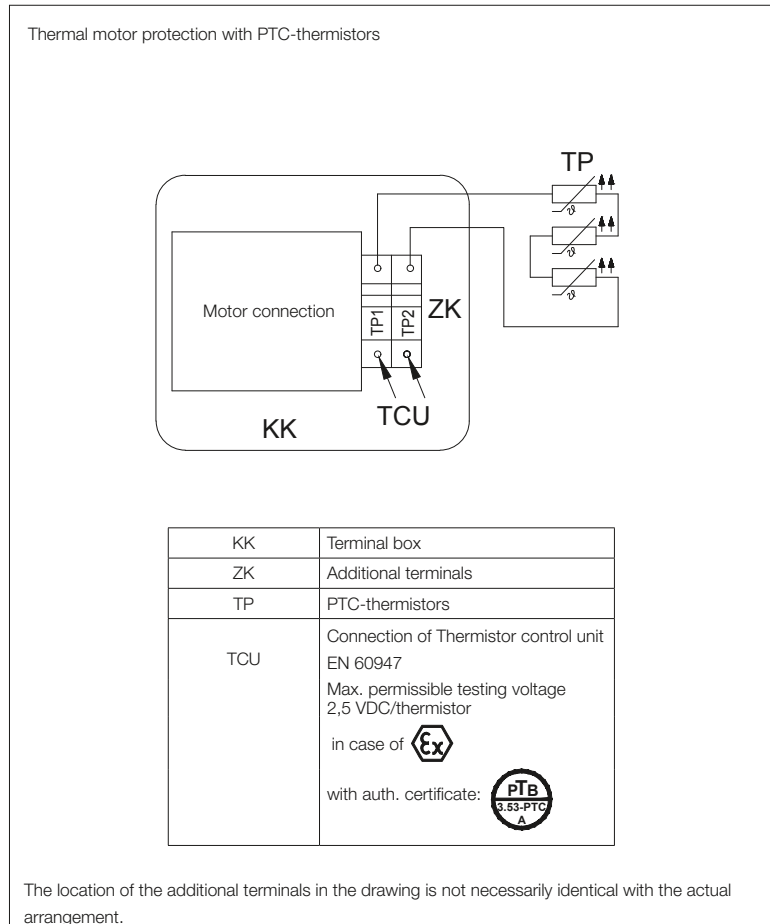
Motor protection

Each geared motor requires a current-dependent motor protection switch or an overcurrent relay with thermal delay in the switchgear to protect the motor windings. The rated motor currents required for settings are stated in the order acknowledgment. Thermal protection for the winding is recommended as an additional safety measure for special operating conditions (short-time or intermittent periodic duty, high switching frequency, severe voltage fluctuations or restricted cooling) and for operation in conjunction with a frequency converter.

Thermistors (PTC)

Thermistors are temperature-dependent resistors which are fitted in each phase winding. In conjunction with a motor protection switch, they ensure optimum protection for the winding in the event of rapid temperature rise. Characteristic to DIN 44081 and "Mark A" to IEC 34-11-2. Thermistors are available for all motors at extra cost. The requisite monitoring device is not included in the scope of supply.

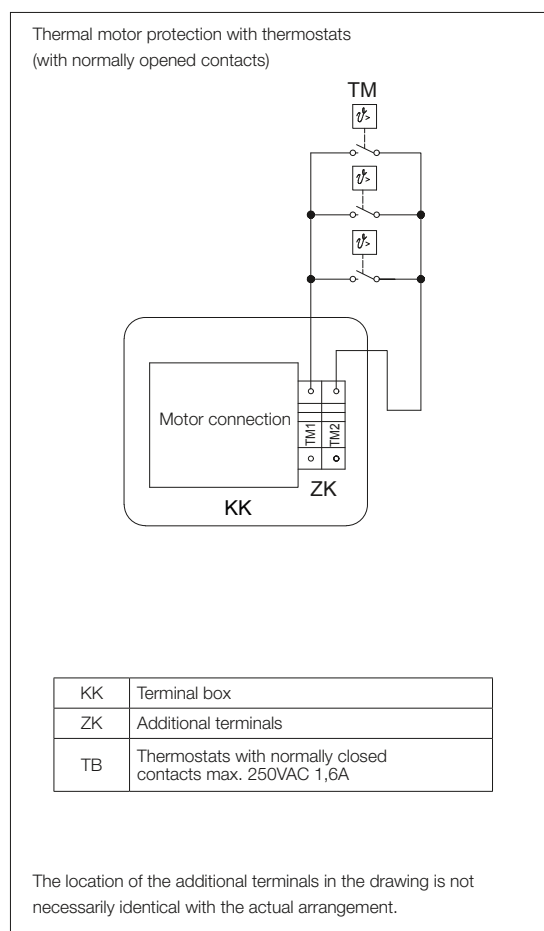
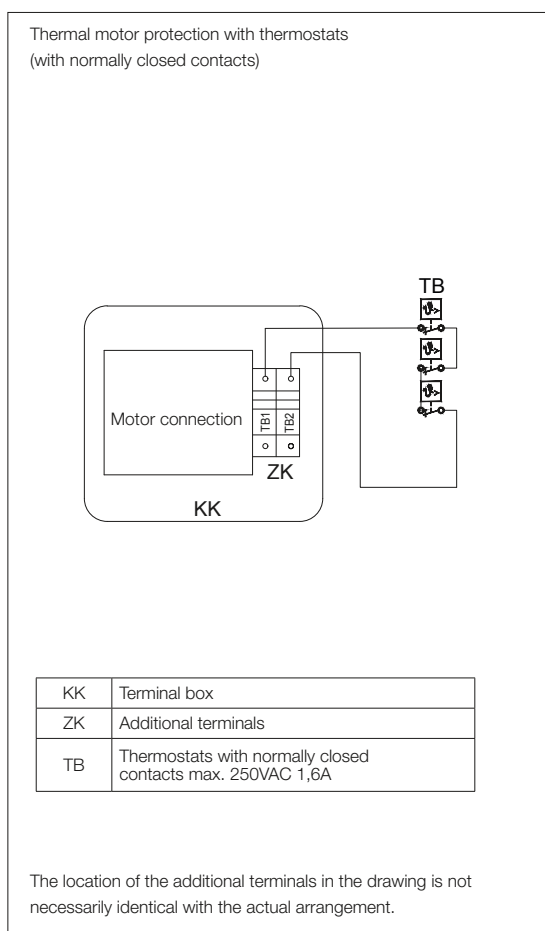
Function: The thermistors/PTC sensors are manufactured in such a way that their resistance increases even with rapid heating and reaches a very specific resistance value at a certain temperature (NAT). At this value the tripping device responds and a warning signal or similar can be switched to prevent the motor from overheating. Characteristic according to DIN 44081 and „Mark A“ according to IEC 34-11-2. Thermistors/PTC thermistors are available for each motor at extra cost.



Thermostatic protection

Bimetal switches are used for slow-acting, independent temperature monitoring and are embedded in each winding section of the motor.

The bimetal disc is sized such that when the temperature rises above a specific, previously set value, the disc suddenly snaps from a convex state to a concave state and the contact moves vertically away from the contact plate. In this state the switch is either open (normally closed switch) or closed (normally open switch). A significant temperature change is necessary to allow the bimetal disc to independently snap back to its initial position. When it does, the switch is again closed (normally closed switch) or open (normally open switch). Thermal protection switches are available for all motors at additional cost. For technical reasons, this option is not recommended for large motors (D11 to D18).



Motors

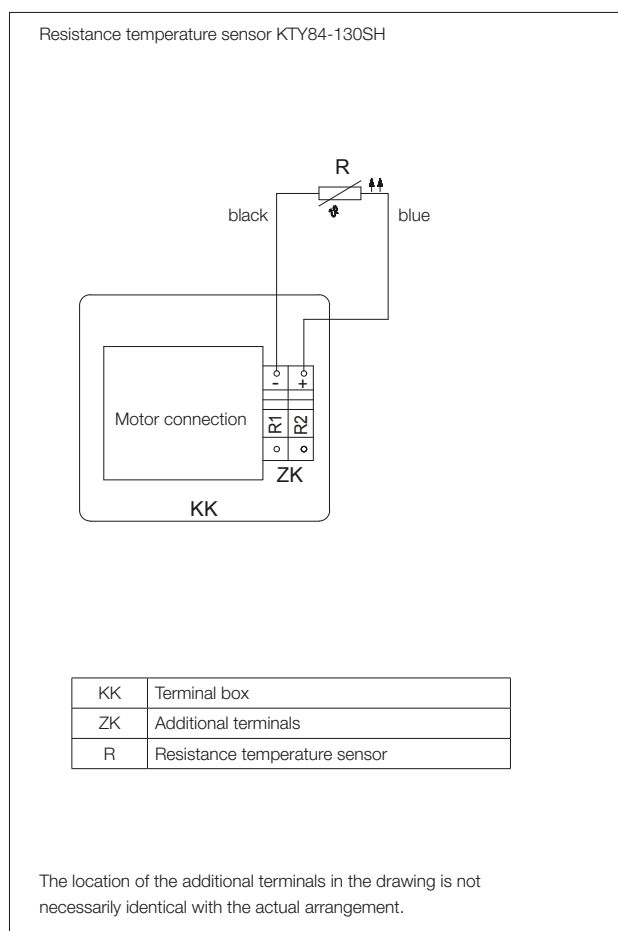
General

KTY sensors

KTY sensors with heat-shrink insulation can be used to measure and monitor critical surface temperatures and internal temperatures of motors and machines. These sensors are suitable for use in harsh industrial environments in all places where accurate measurements with a single sensor are required. KTY sensors are available for all types of motors at additional cost.

Type 84-130SH: primarily installed in motors that are operated with Siemens frequency converters.

Working principle: KTY sensors are temperature-dependent components. The resistance of the KTY sensor increases when its temperature rises. The characteristic curve is nearly linear in the sensor's measuring range; the reference resistance (at 100 °C) is 970 to 1030 ohms.



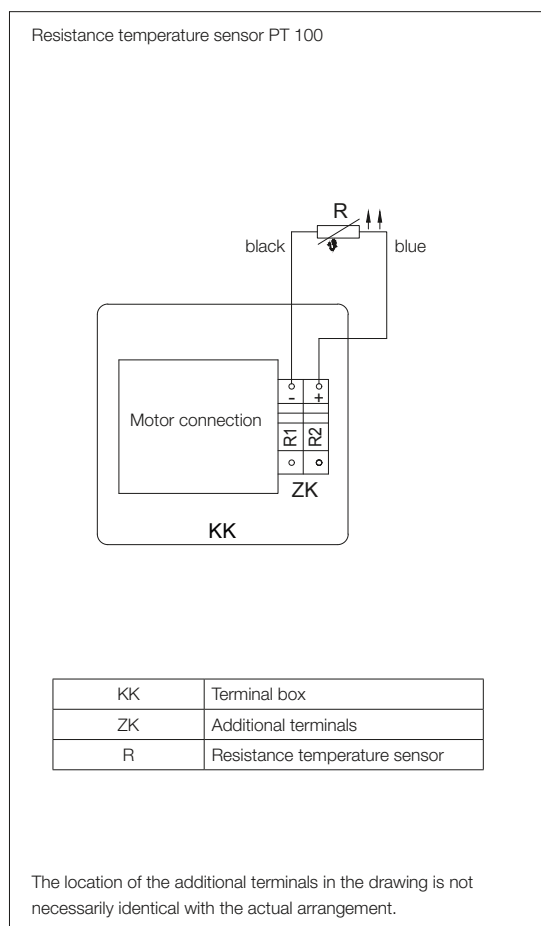
PT100 sensors

Precise monitoring of motor temperatures is necessary in many fields of industry. Pt100 sensors feature high accuracy, short response time and long-term stability, and they are suitable for use over a wide range of temperatures. Pt100 sensors are available for all motor types at additional cost.

Specifications

Nominal resistance: 100 Ω at 0 °C

The resistance characteristics are specified in EN 60751.



Motors

General

Insulation

The gearmotors described in the selection tables of this catalogue with the motor sizes D..04.., D..05.., D..06.., D..08.., D..09S and D..09L are executed in insulation class B. Temperature class F is available on request at extra cost.



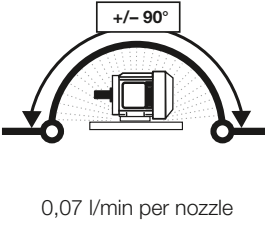
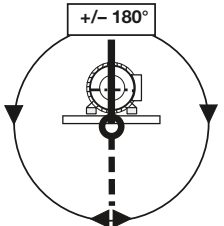
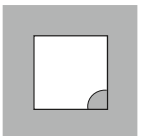
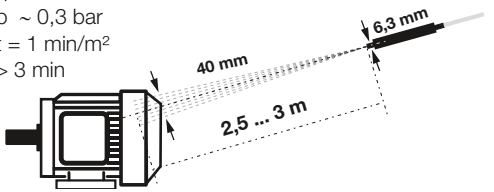
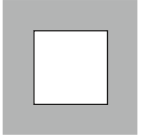

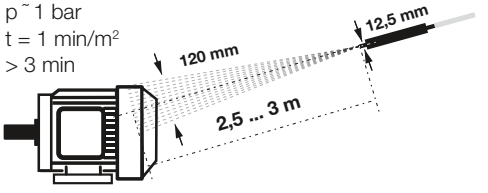
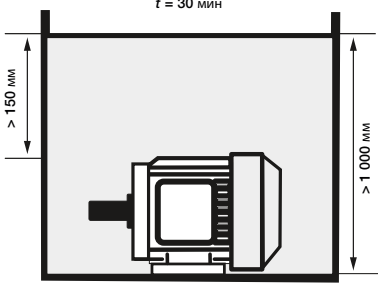
4-pole motors D..07.. and D..09XA4 (2.2 kW) to D..18XA4 (30 kW) and all multi-speed motors are rated in Temperature Class F as standard.

Insulation Class F bestows the winding a multiple protection against high humidity, acidic gases and heavy tropical influences while making the same shock resistant and more resistant to heat. Protection against insects (termites) is guaranteed through the complete enclosure (IP65) as long as the mains cables are encased in metal.

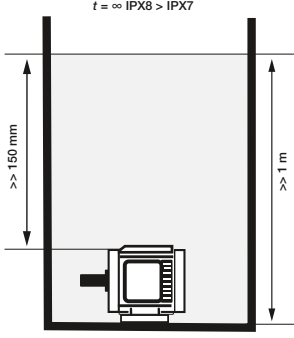
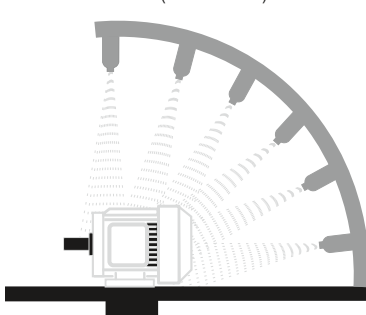
IP – Protection classes

Bauer motors from motor size D..06.. are manufactured to IP65 degree of protection as standard. Motor sizes D..04.. and D..05.. have a smooth motor housing of IP54. Higher IP protection classes on request.

Degrees of protection provided by enclosures for electrical equipment

First IP - code number after DIN EN 60529				Second IP - code number after DIN EN 60529			
Protection against penetration of solid foreign bodies		Protection of persons against access to hazardous parts with		Protection against penetration of moisture or water			
4	diameter $\geq 1,0$ mm			4	Splash water		
5	Dustproof		Wire	5	Jet water		
6	Dust tight			6	Strong Jet water		
				7	Temporary Submerge		

14

First IP - code number after DIN EN 60529		Second IP - code number after DIN EN 60529	
Protection against penetration of solid foreign bodies	Protection of persons against access to hazardous parts with	Protection against penetration of moisture or water	
		8	Permanent Submerge  <p>$t = \infty$ IPX8 > IPX7</p> <p>>> 150 mm</p> <p>E A</p> <p>x = 5 m (Standard) or by agreement</p>
		6 (9K = DIN 40050-9)	High pressure and high jet water temperature  <p>Housing ≥ 250 mm</p> <p>t = 1 min /m² > 3 min</p> <p>Water temperature (80 \pm 5) °C</p> <p>15 l/min, 100 bar</p> <p>Distance (175 \pm 25) mm</p>

Speed of output shaft

The rated speeds in the selection tables are guidelines for load at rated power. Speed can vary depending on degree of load and temperature (particularly in the case of relatively small motors). Combination gear units for lower speeds are available on request.

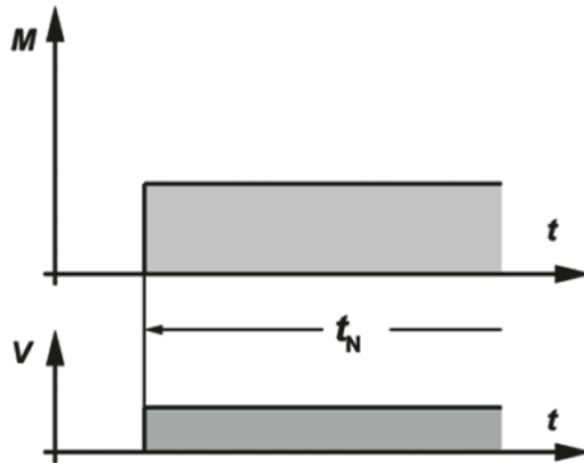
Motors

Duty types as defined by EN 60034

General

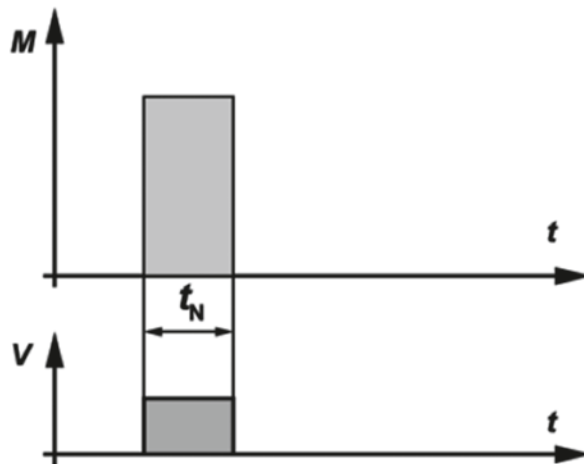
Aside from special drives (such as lifting equipment), standard motors are always designed for continuous running duty. If the drive is operated with frequent on/off cycles, it may be necessary to select a larger motor with a special design. On the other hand, with pronounced short-time duty it is often possible to select a smaller model. **For this reason, it is technically necessary or economically advantageous to inform the motor manufacturer of any duty type that differs from continuous running.**

Continuous running duty (S1)



Operation under rated load for sufficient time to allow temperature equilibrium to be attained, such that the temperature does not increase any more with continued operation. The equipment can operate continuously under the rated load without exceeding the allowable temperature.

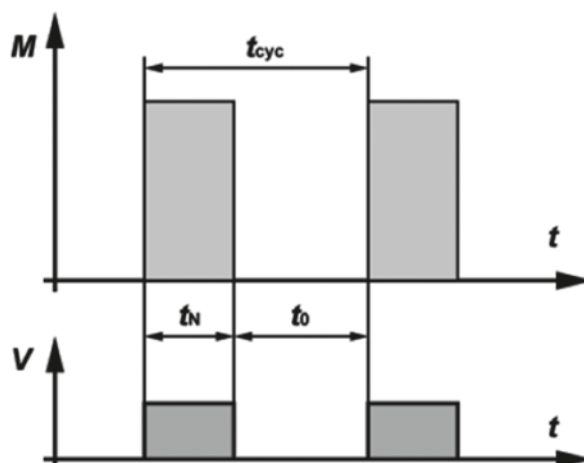
Short-time duty (S2)



The operating time under rated load is short compared with the subsequent rest period. The standard operating times are 10, 30, 60 and 90 minutes. The equipment can operate for this period under the rated load without exceeding the allowable temperature.

Example: S2 – 60 min

Intermittent periodic duty (S3)



S3 duty consists of a sequence of identical cycles, each composed of an operating time with constant load and a rest time with the windings de-energised. The cycle is such that the starting current does not significantly affect the temperature rise. The operating time under rated load and the subsequent pause are both short. The equipment can operate under load only during the period indicated by the duty cycle as a percentage of the total cycle time (cycle duration).

The standardised duty cycles are 15, 25, 40 and 60 %. The cycle duration is 10 minutes unless otherwise specified.

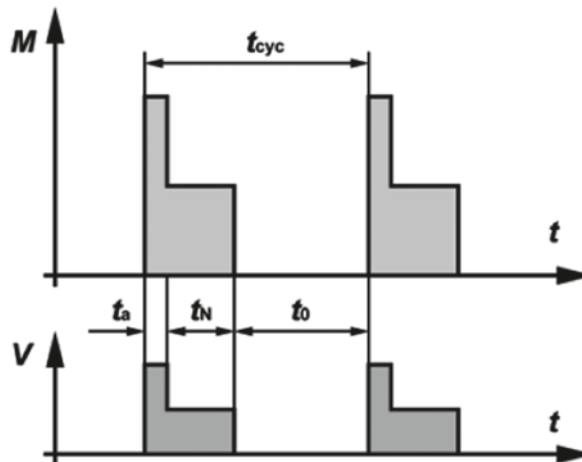
Intermittent periodic duty means that a state of thermal equilibrium is not reached during the load interval.

The duty cycle can be determined as follows:

$$ED = \frac{t_N}{t_{cyc}} \times 100\% = \frac{t_N}{t_N + t_0} \times 100\%$$

Example: S3 – 25%

Intermittent periodic duty with starting (S4)



S4 duty consists of a sequence of identical cycles, each of which is composed of a distinct starting time, a time of operation under constant load, and a rest period with the windings de-energised.

The operating time under rated load and the subsequent pause are both short. The equipment can operate under load only during the period indicated by the duty cycle as a percentage of the total cycle time (cycle duration).

The standardised duty cycles are 15, 20, 40 and 60 %. The cycle duration is 10 minutes unless otherwise specified.

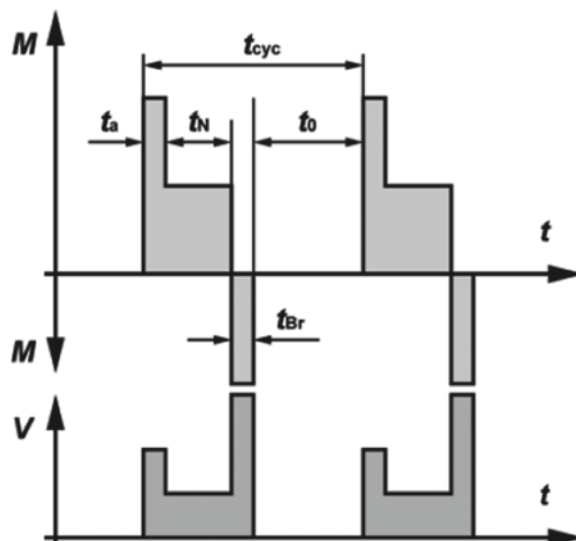
The load cycle corresponds to mode S3, but with additional heating during the starting time that must be taken into account.

The duty cycle can be determined as follows:

$$ED = \frac{(t_a + t_N)}{t_{cyc}} \times 100\% = \frac{t_a + t_N}{t_a + t_N + t_o} \times 100\%$$

Example: S4 – 25 %, $J_M = 0.15 \text{ kgm}^2$

Intermittent periodic duty with electric braking (S5)



S5 duty consists of a sequence of identical cycles, each of which is composed of a starting time, a time of operation under constant load, a time of fast electric braking, and a rest period with the windings de-energised.

The operating time under rated load and the subsequent pause are both short. The equipment can operate under load only during the period indicated by the duty cycle as a percentage of the total cycle time (cycle duration).

The standardised duty cycles are 15, 20, 40 and 60 %. The cycle duration is 10 minutes unless otherwise specified.

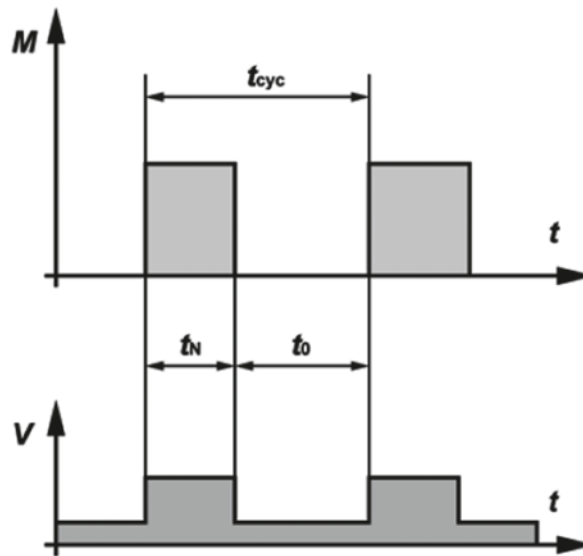
The load cycle corresponds to S3 duty, but with additional warming during the starting time t_a and the braking time t_{Br} taken into account.

The duty cycle can be determined as follows:

$$ED = \frac{(t_a + t_N + t_{Br})}{t_{cyc}} \times 100\% = \frac{t_a + t_N + t_{Br}}{t_a + t_N + t_{Br} + t_0} \times 100\%$$

Example: S5 – 25%; $J_M = 0.15 \text{ kgm}^2$; $J_{ext} = 0.7 \text{ kgm}^2$
(J_M Moment of inertia of the motor / J_{ext} Moment of inertia of the load)

Continuous-operation periodic duty (S6)



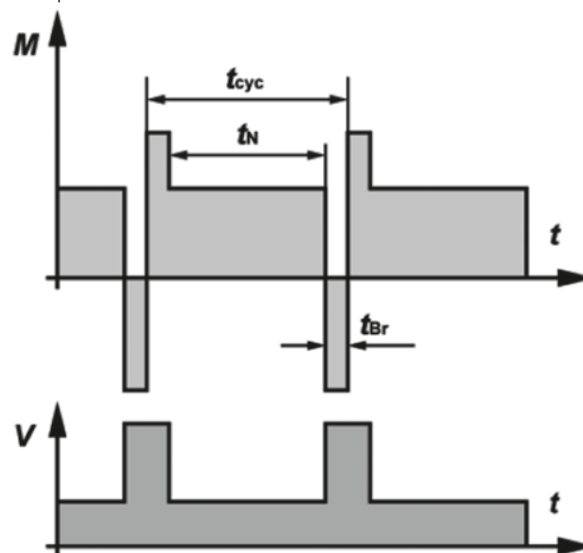
This type of duty corresponds to S3, with the exception that the equipment remains energised during the rest periods. In other words, it operates with no load during these periods. The duty cycle and cycle duration are specified the same way as for S3 duty.

The duty cycle can be determined as follows:

$$ED = \frac{t_N}{t_{cyc}} \times 100\% = \frac{t_N}{t_N + t_0} \times 100\%$$

Example: S6 – 40 %

Continuous-operation periodic duty with electric braking (S7)



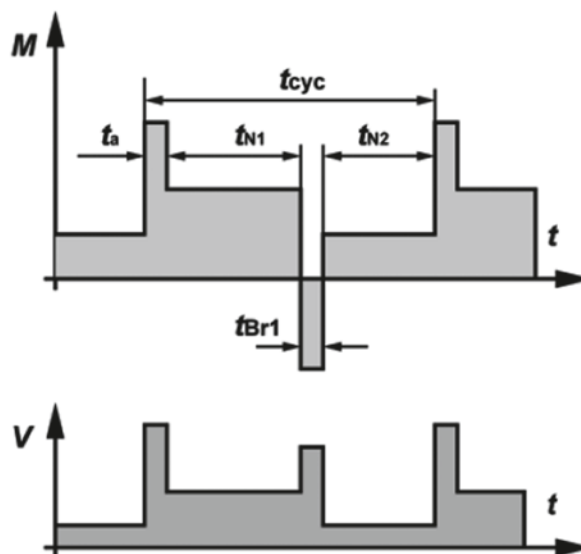
The machine starts up, operates under load, and then is braked electrically, for example by feeding it from a DC power source. Following this, it starts up again immediately. The machine can operate continuously in this manner if the specified moments of inertia of the motor J_M and of the load J_{Ext} as well as the specified duty cycle are not exceeded. If the cycle duration is not specified, it is assumed to be 10 minutes.

The duty cycle can be determined as follows: $DC = 1$

Example: S7 – $J_M = 0.4 \text{ kgm}^2$, $J_{Ext} = 7.5 \text{ kgm}^2$

(J_M Moment of inertia of the motor / J_{Ext} Moment of inertia of the load)

Continuous-operation periodic duty with relative load/speed changes (S8)



The machine runs continuously under variable load with frequent speed variations. The machine can operate continuously in this manner if at each speed the specified values are not exceeded (moments of inertia J_M and J_{Ext} cycle duration (if other than 10 minutes), rated output and duty cycle. With a moment of inertia of 1 kg m^2 , the acceleration characteristics are the same as with a mass of 1 kg at a distance of 1 m from the axis of rotation).

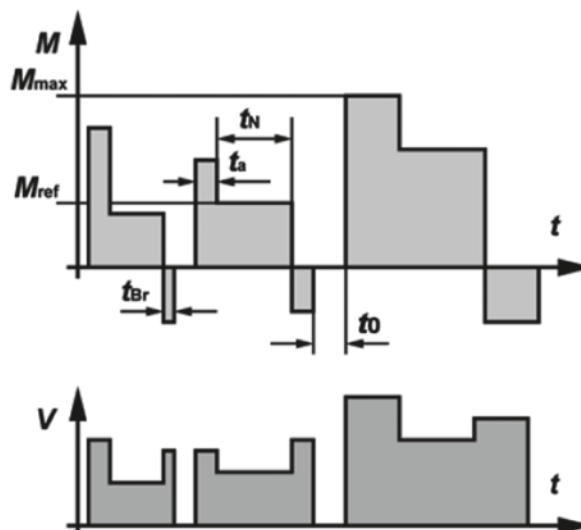
The duty cycle can be determined as follows:

$$ED = \frac{t_a + t_{N1}}{t_{cyc}} \times 100\% = \frac{t_{Br} + t_{N2}}{t_{cyc}} \times 100\%$$

Example: S8 – $J_M = 0.5 \text{ kgm}^2$, $J_{Ext} = 6 \text{ kgm}^2$

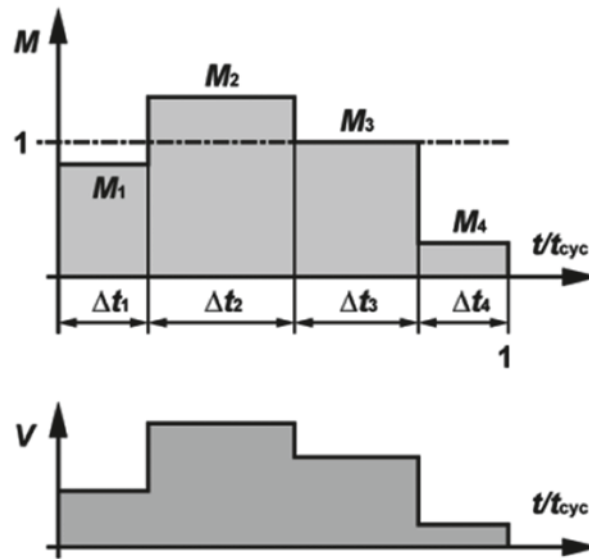
(J_M Moment of inertia of the motor / J_{Ext} Moment of inertia of the load)

Duty with non-periodic load and speed variations (S9)



In S9 duty the load and the speed vary non-periodically within the permissible operating range. This includes frequently applied overloads, which must never exceed the reference load. For this duty type, a constant load appropriately selected and based on duty type S1 shall be taken as the reference value M_{ref} for the overload.

Duty with discreet constant loads and speeds (S10)

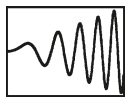


S10 duty comprises operation with at most four different load levels, each of which is maintained long enough to allow the machine to reach thermal equilibrium.

The minimum load within a duty cycle may have a value of zero (no-load operation or at rest with the windings de-energised).

The appropriate abbreviation is S10 followed by the per unit quantities $p/\Delta t$ for the respective load and its duration and the per unit quantity TL for the relative thermal life expectancy of the insulation system. The reference value for the thermal life expectancy is the thermal life expectancy at rating for continuous running duty and permissible limits of temperature rise based on duty type S1. For a time de-energized and at rest, the load shall be indicated by the letter r .

Example: S10 $p/\Delta t = 1.1/0.4, 1/0.3, 0.9/0.2, r/0.1$; $TL = 0.6$



The figures given in the table below are for Bauer motors operating in conjunction with the frequency inverter. The torques referred to in tables can be entered for the respective frequencies in continuous operation (S1 = duty factor 100 %).

Notes on design

Use the torque required at the lowest operating speed to select motors for applications which require constant torque over the entire speed range, as is the case, for example, with lifting gear and conveyors. Bear in mind, too, the possibility of torque being lower in the field-weakening range.

Use only the torque required at the highest operating speed to select motors for applications which require square-law torque over the speed range, as is the case, for example, with pumps and fans. Field weakening is not permissible.

The motor's power is frequency-dependent. It can be approximated in kW from torque M in Nm, the 50 Hz or 60 Hz speed n and the frequency f in Hz by means of the equation

$$P = M \times n / 9550 \times f/50$$

or

$$P = M \times n / 9550 \times f/60$$

If a frequency inverter is used in conjunction with a pulse generator, the full 50 Hz or 60 Hz rated torque is available as holding torque at motor standstill (independent fan required for prolonged periods at standstill). In many instances, however, a mechanical brake is necessary for holding a position exactly or for safety reasons.

The use of thermistors for the thermal protection of the motor winding for frequency inverter duty are strictly recommended (available at extra cost for all motor sizes).

Increased torque with reduced duty factor

A reduction in duty factor increases the torque available at the low end of the frequency range (up to the transition frequency for field weakening) in accordance with the factors in the table below:

Duty factor	Motor torque with reduced duty factor	Increase in current requirement approximate
100 %	-	-
60 %	1,15 x S1 torque	1,15 x S1 current
40 %	1,30 x S1 torque	1,30 x S1 current
25 %	1,45 x S1 torque	1,45 x S1 current
15 %	1,60 x S1 torque	1,60 x S1 current

This, in turn, means that short-term overload by a factor of 1.6 is permissible for starting from a low speed, for example. An increase in torque in the field-weakening range due to a reduction in duty factor is possible only under certain conditions; the 1.6x S1 torque generally cannot be achieved

Increased torque with external fan

If an independent fan is used, the S1-torque in the lower frequency range (below 30 Hz) need not be reduced, i.e., when it has an independent fan the motor can provide the 50 Hz or 60 Hz rated torque throughout the entire frequency range to the cut-off frequency of the field weakening.

With a high quality frequency inverter of 160 %, when independent ventilation is combined with a reduced duty factor the 50 Hz or 60 Hz torque is available from rest through to the transition frequency of the field weakening range.

External ventilation is available for motor types D..08.. and larger (see chapter 16 "Motor-independent fan (FV)). In many instances, a more economical alternative is to select a larger motor without external ventilation.

Motors

Operation with frequency converter

Energy-saving function

High quality frequency inverters reduce voltage in part-load operation to lower the motor current and thus improve efficiency. This converter function emulates the method of operation of commercially available "energy-saving devices".

Regeneration

Regenerative torques (braking torques) are required for motors used in lifting gear, for example. In conjunction with high quality frequency inverters, the motor torques listed in the table can also be applied as regenerative torques. As with motor torque, an increase in regenerative torque with reduced duty factor is permissible.

Notes on operation with other-make frequency inverters

The precondition is that the motor current generated by the frequency converter is largely free of harmonics. The harmonics generated in the motor by some old-style frequency inverters result in additional losses and cut available torque by some 10 % across the entire frequency range. There is also a risk of oscillation causing damage to the gear unit.

At frequencies below approximately 5 Hz, operation without pulse generators is possible only using a frequency inverter with state-of-the-art control. If frequency inverters are used that do not feature load-dependent frequency and current adjustment, the increase in the motor's current consumption means that, particularly in the case of small motors (D..04..-D..09..), torque has to be reduced at frequencies below approximately 10 Hz even if an external fan is used or the duty factor is reduced. Regenerative operation is possible only under certain circumstances.

Continuous operation S1, 50 Hz

4-pole motors for continuous operation S1, line frequency 50 Hz

Power range is not within the scope of Regulation (EU) 2019/1781

These motors are not subject to any regulation on energy efficiency worldwide!

P_N kW	Type	n_N 1/min	M_N Nm	I_N (400 V) A	Connection	$\cos\phi$	I_A/I_N	M_A/M_N	M_S/M_N	M_K/M_N	J_{rot} kgm ²	Brake
0.03	D04LA4	1350	0.21	0.2	Y	0.6	2.2	2.6	2.6	3	0.000175	E003
0.04	D04LA4	1350	0.28	0.2	Y	0.6	2.2	2	2	2.3	0.000175	
0.06	D04LA4	1350	0.42	0.3	Y	0.6	2.3	2.1	2.1	2.4	0.000175	
0.09	D04LA4	1350	0.63	0.45	Y	0.69	2.5	2.2	2.2	2.6	0.000175	
0.11	D04LA4	1350	0.78	0.45	Y	0.68	2.2	1.9	1.9	2	0.000175	
0.06	D05LA4	1350	0.42	0.35	Y	0.72	3.7	3.7	3.5	3.7	0.000295	E003
0.09	D05LA4	1350	0.63	0.38	Y	0.7	3.9	3	2.8	3	0.000295	
0.06	D06LA4	1350	0.42	0.35	Y	0.72	3.7	3.7	3.5	3.7	0.000295	E003
0.09	D06LA4	1350	0.63	0.38	Y	0.7	3.9	3	2.8	3	0.000295	

P_N	Rated power
ED	Duty cycle
n_N	Guideline value for rated speed at the rotor shaft
M_N	Rated torque at the rotor shaft
I_N	Rated current (the current can be converted in inverse ratio to the voltages for the desired special voltage)
$\cos\phi$	Power factor
η	Efficiency at different loads
I_A/I_N	Relative starting current
M_A/M_N	Relative starting torque
M_S/M_N	Relative pull-up torque
M_K/M_N	Relative breakdown torque
J_{rot}	Mass moment of inertia of the rotor
Brake	Brake dimensioning see chapter "Motor Mounted Components-Dimensions"

Winding configuration for standard motors for 400 V/50 Hz.

Important: Current, power factor and torque change as voltage deviates from 400 V.

Continuous operation S1, 50 Hz

4-pole IE2 motors for continuous operation S1, line frequency 50 Hz

		4-pole IE2 motors for continuous operation S1, line frequency 50 Hz																		
		η (100 %-Load)	η (75 %-Load)	η (50 %-Load)	IE Class	Manufacturer data	Type	Number of poles	P	Frequency	Voltage	n_N	Type of motor	Operating conditions	Power losses in % at operating points (Speed/Torque)					
	%	%	%					kW	Hz	V	1/min			25/25	25/100	50/25	50/50	50/100	90/50	90/100
	66.1	64.6	58.3	IE2	DHE05LA4	4	0.12	50	400	1390	2)	3)	24.7	46.0	28.8	30.9	46.1	36.0	50.7	
	65.9	64.1	57.7	IE2	DHE06LA4	4	0.12	50	400	1385	2)	3)	25.0	47.0	29.3	31.3	47.1	36.5	51.8	
	68.3	67.3	61.9	IE2	DHE05LA4	4	0.18	50	400	1375	2)	3)	16.9	46.8	22.6	25.3	43.0	30.4	45.9	
	68	67	61.4	IE2	DHE06LA4	4	0.18	50	400	1370	2)	3)	17.2	46.2	23.0	25.8	43.3	32.3	49.6	
	69.4	68.7	63.6	IE2	DHE07LA4	4	0.25	50	400	1375	2)	3)	15.1	43.4	20.0	22.8	39.9	27.6	42.6	
	70.8	70.5	66	IE2	DHE07LA4	4	0.3	50	400	1360	2)	3)	19.1	37.5	20.6	22.7	38.0	25.6	41.0	
	75.9	74.6	69.6	IE2	DHE08MA4	4	0.37	50	400	1430	2)	3)	11.3	26.2	15.0	16.7	26.8	21.5	31.1	
	78.1	78.9	76.2	IE2	DHE08LA4	4	0.55	50	400	1415	2)	3)	7.6	29.8	10.0	12.6	26.0	15.9	27.8	

1) Manufacturer:	Bauer Gear Motor GmbH	2) Type of motor:	three-phase motor	3) Installation altitude above sea level (m):	1000
Commercial register number:	HRB 736269			Ambient temperature:	-20 °C to +40 °C
Address:	Eberhard-Bauer-Str. 37, 73734 Esslingen/Germany				

4-pole IE2 motors for continuous operation S1, line frequency 50 Hz

More data

P _N kW	Type	n _N 1/min	M _N Nm	I _N (400 V) A	Con- nec- tion	cosφ	η (100 %-Load) %	I _A /I _N	M _A /M _N	M _S /M _N	M _K /M _N	J _{rot} kgm ²	Brake
0.12	DHE05LA4	1390	0.82	0.39	Y	0.67	66.1	3.3	2.3	2.3	2.5	0.000295	E003
0.12	DHE06LA4	1385	0.83	0.39	Y	0.67	65.9	3.3	2.3	2.3	2.5	0.000295	E003
0.18	DHE05LA4	1375	1.25	0.57	Y	0.67	68.3	3.4	2.6	2.5	2.6	0.000295	E003
0.18	DHE06LA4	1370	1.25	0.58	Y	0.67	68	3.3	2.5	2.5	2.6	0.000295	E003
0.25	DHE07LA4	1375	1.74	0.76	Y	0.68	69.4	3.5	2.7	2.6	2.7	0.000385	E003, E004
0.3	DHE07LA4	1360	2.1	0.9	Y	0.67	70.8	3.5	2.8	2.7	2.7	0.000385	
0.37	DHE08MA4	1430	2.45	1.1	Y	0.65	75.9	4.5	2.5	2.4	3	0.00115	ES(X)010 EH(X)010 EH(X)027
0.55	DHE08LA4	1415	3.7	1.38	Y	0.74	78.1	4.5	2.3	2.1	2.6	0.0015	

P _N	Rated power
ED	Duty cycle
n _N	Guideline value for rated speed at the rotor shaft
M _N	Rated torque at the rotor shaft
I _N	Rated current (the current can be converted in inverse ratio to the voltages for the desired special voltage)
cosφ	Power factor
η	Efficiency at different loads
I _A /I _N	Relative starting current
M _A /M _N	Relative starting torque
M _S /M _N	Relative pull-up torque
M _K /M _N	Relative breakdown torque
J _{rot}	Mass moment of inertia of the rotor
Brake	Brake dimensioning see chapter "Motor Mounted Components-Dimensions"

Winding configuration for standard motors for 400 V/50 Hz.

Important: Current, power factor and torque change as voltage deviates from 400 V.

See "www.bauergears.com" for more information.

Continuous operation S1, 50 Hz

4-pole IE3 motors for continuous operation S1, line frequency 50 Hz

		4-pole IE3 motors for continuous operation S1, line frequency 50 Hz																		
		η (100 %-Load)	η (75 %-Load)	η (50 %-Load)	IE Class	Manufacturer data	Type	Number of poles	P	Frequency	Voltage	n_n	Type of motor	Operating conditions	Power losses in % at operating points (Speed/Torque)					
	%	%	%					kW	Hz	V	1/min			25/25	25/100	50/25	50/50	50/100	90/50	90/100
	69.3	67.1	60.5	IE3	1)	DPE05LA4	4	0.12	50	400	1405	2)	3)	18.2	38.2	23.9	26.1	38.9	31.9	43.8
	68.8	66.4	59.9	IE3	1)	DPE06LA4	4	0.12	50	400	1400	2)	3)	18.7	39.0	24.8	27.1	40.3	33.4	45.9
	70.8	69.3	63.9	IE3	1)	DPE07LA4	4	0.18	50	400	1400	2)	3)	15.6	36.4	20.2	22.6	36.1	27.5	39.7
	77.7	76.4	71.8	IE3	1)	DPE08MA4	4	0.25	50	400	1440	2)	3)	10.4	23.8	13.8	16.4	26.2	20.8	29.5
	79.9	78.8	74.3	IE3	1)	DPE08LA4	4	0.37	50	400	1445	2)	3)	8.9	19.4	11.6	13.2	20.8	16.8	24.4
	81.2	81	77.9	IE3	1)	DPE08XA4	4	0.55	50	400	1430	2)	3)	7.0	20.5	9.1	11.1	20.4	14.2	23.3
	82.5	83.1	81.3	IE3	1)	DPE08XB4	4	0.75	50	400	1425	2)	3)	6.1	19.6	7.7	9.7	19.2	12.1	21.1
	82.7	82.5	79.1	IE3	1)	DPE09LA4	4	0.75	50	400	1440	2)	3)	4.6	16.3	6.9	8.7	16.6	13.0	20.4
	84.4	84.3	81.9	IE3	1)	DPE09XA4	4	1.1	50	400	1440	2)	3)	4.4	15.9	6.2	8.0	16.2	11.2	19.2
	85.5	86.1	84.5	IE3	1)	DPE09XB4	4	1.5	50	400	1435	2)	3)	4.0	16.5	5.4	7.3	15.9	9.6	17.6
	86.8	87.4	85.9	IE3	1)	DPE09XB4C	4	2.2	50	400	1450	2)	3)	3.7	15.1	5.0	6.5	14.0	8.5	15.4
	87.1	87.2	85.2	IE3	1)	DPE11MA4	4	2.2	50	400	1450	2)	3)	3.1	12.3	4.7	6.1	12.6	8.6	15.0
	87.7	87.6	85.5	IE3	1)	DPE11LA4	4	3	50	400	1455	2)	3)	3.1	10.7	4.6	5.9	11.5	8.5	14.1
	89.4	90.3	89.5	IE3	1)	DPE11LB4	4	4	50	400	1450	2)	3)	2.3	10.9	3.2	4.5	10.9	6.0	12.1
	88.9	89.4	88	IE3	1)	DPE13MA4	4	4	50	400	1465	2)	3)	2.3	9.5	3.5	4.8	10.2	7.0	12.7
	90	90.6	89.7	IE3	1)	DPE11LB4C	4	5.5	50	400	1465	2)	3)	2.4	10.3	3.4	4.6	10.1	6.1	11.5
	90.2	90.3	89	IE3	1)	DPE13LA4	2	5.5	50	400	1465	2)	3)	2.3	8.6	3.4	4.5	9.2	6.3	11.1
	90.5	91.2	90.5	IE3	1)	DPE13XA4	4	7.5	50	400	1460	2)	3)	2.2	9.6	3.1	4.2	9.8	5.8	11.3
	91.9	92.2	91.4	IE3	1)	DPE16LB4	4	9.5	50	400	1475	2)	3)	1.7	7.0	2.5	3.4	7.3	4.8	8.9
	91.6	92.2	91.4	IE3	1)	DPE16LB4	4	11	50	400	1475	2)	3)	1.8	8.2	2.6	3.5	7.6	5.0	9.8
	92.2	92.6	91.8	IE3	1)	DPE16XB4	4	15	50	400	1475	2)	3)	1.6	6.4	2.5	3.3	7.0	4.7	8.4
	93.3	93.6	92.7	IE3	1)	DPE18LB4	4	18.5	50	400	1480	2)	3)	1.3	5.7	2.1	2.9	6.3	4.3	7.8
	93.3	93.8	93.5	IE3	1)	DPE18XB4	4	22	50	400	1475	2)	3)	1.3	5.9	2.0	2.8	6.6	4.1	7.8
	94.1	94.6	94.4	IE3	1)	DPE20XA4	4	30	50	400	1480	2)	3)	1.3	5.2	1.6	2.3	5.2	3.1	6.3
	94	94.3	94	IE3	1)	DPE22MA4	4	37	50	400	1480	2)	3)	1.5	4.9	1.9	2.6	5.4	3.4	6.5

3) Installation altitude above sea level (m): 1000

Ambient temperature: -20 °C to +40 °C

2) Type of motor: three-phase motor

1) Manufacturer: Bauer Gear Motor GmbH
Commercial register number: HRB 736269
Address: Eberhard-Bauer-Str. 37, 73734 Esslingen/Germany

4-pole IE3 motors for continuous operation S1, line frequency 50 Hz

More data

P_N kW	Type	n_N 1/min	M_N Nm	I_N (400 V) A	Connec- tion	$\cos\phi$	η (100%-Load) %	η (75%-Load) %	η (50%-Load) %	I_A/I_N	M_A/M_N	M_S/M_N	M_K/M_N	J_{rot} kgm ²	Brake
0.12	DPE05LA4	1405	0.82	0.4	Y	0.62	69.3	67.1	60.5	3.8	3	3	3.1	0.000295	E003
0.12	DPE06LA4	1400	0.82	0.41	Y	0.63	68.8	66.4	59.9	3.7	3	3	3.1	0.000295	E003
0.18	DPE07LA4	1400	1.23	0.56	Y	0.65	70.8	69.3	63.9	3.9	3.1	3	3.1	0.000385	E003, E004
0.25	DPE08MA4	1440	1.66	0.71	Y	0.66	77.7	76.4	71.8	4.9	2.6	2.5	3.1	0.00115	ES(X)010 EH(X)010/027
0.37	DPE08LA4	1445	2.5	1.03	Y	0.64	79.9	78.8	74.3	5.5	3.2	3	3.6	0.0015	
0.55	DPE08XA4	1430	3.7	1.4	Y	0.7	81.2	81	77.9	5.3	2.9	2.7	3.2	0.0017	
0.75	DPE08XB4	1425	5.0	1.86	Y	0.71	82.5	83.1	81.3	5.3	3.1	2.8	3.3	0.002	
0.75	DPE09LA4	1440	5.0	1.67	Y	0.79	82.7	82.5	79.1	6.6	3.4	3	3.6	0.0032	ES(X)010/027 EH(X)027/040
1.1	DPE09XA4	1440	7.3	2.4	Y	0.78	84.4	84.3	81.9	6.7	3.4	3.1	3.7	0.0038	
1.5	DPE09XB4	1435	10.0	3.25	Y	0.79	85.5	86.1	84.5	6.5	3.2	3	3.6	0.0049	
2.2	DPE09XB4C	1450	14.5	4.7	Y	0.77	86.8	87.4	85.9	6.7	2.6	2.4	3.6	0.0069	ES(X)027/040/070 EH(X)070/125
2.2	DPE11MA4	1450	14.5	4.6	Y	0.8	87.1	87.2	85.2	7.3	3.2	2.7	3.9	0.0105	
3	DPE11LA4	1455	20	6.2	D	0.8	87.7	87.6	85.5	8.3	3.7	3	4.4	0.014	
4	DPE11LB4	1450	27	7.8	D	0.83	89.4	90.3	89.5	7.8	3.3	2.6	4	0.017	
5.5	DPE11LB4C	1465	36	11	D	0.8	90	89.4	88	8.2	2.7	2.4	4	0.022	ES(X)040/070/125 EH(X)200
4	DPE13MA4	1465	26	8	D	0.82	88.9	90.6	89.7	7.4	3.3	2.6	3.5	0.029	
5.5	DPE13LA4	1465	36	11.5	D	0.77	90.2	90.3	89	8.1	3.7	3	4.2	0.0345	
7.5	DPE13XA4	1460	49	15.2	D	0.79	90.5	91.2	90.5	7.6	3.6	3.3	3.9	0.04	ES(X)125/200 EH(X)400 ZS(X)300
9.5	DPE16LB4	1475	61	19.1	D	0.78	91.9	92.2	91.4	8.3	3.6	2.8	3.7	0.0755	
11	DPE16LB4	1475	71	22	D	0.78	91.6	92.2	91.4	7.7	3.4	2.8	3.5	0.0755	
15	DPE16XB4	1475	97	30.5	D	0.78	92.2	92.6	91.8	8.3	3.8	3.1	3.9	0.097	ES(X)250 EH(X)400 ZS(X)500
18.5	DPE18LB4	1480	119	35.5	D	0.81	93.3	93.6	92.7	9	4.3	3.5	4	0.17	
22	DPE18XB4	1475	142	41.5	D	0.82	93.3	93.8	93.5	8.7	4.2	3.4	3.7	0.195	ES(X)250 ZS(X)500
30	DPE20XA4	1480	194	53.5	D	0.87	94.1	94.6	94.4	8.6	3.1	2.6	3.5	0.3888	
37	DPE22MA4	1480	239	69	D	0.83	94	94.3	94	8.8	3.3	3	3.8	0.4318	ES(X)250 ZS(X)500

P_N	Rated power
ED	Duty cycle
n_N	Guideline value for rated speed at the rotor shaft
M_N	Rated torque at the rotor shaft
I_N	Rated current (the current can be converted in inverse ratio to the voltages for the desired special voltage)
$\cos\phi$	Power factor
η	Efficiency at different loads
I_A/I_N	Relative starting current
M_A/M_N	Relative starting torque
M_S/M_N	Relative pull-up torque
M_K/M_N	Relative breakdown torque
J_{rot}	Mass moment of inertia of the rotor
Brake	Brake dimensioning see chapter "Motor Mounted Components-Dimensions"

Winding configuration for standard motors for 400 V/50 Hz.

Important: Current, power factor and torque change as voltage deviates from 400 V.

See "www.bauergears.com" for more information.

Operation with frequency converter, 50 Hz

IE2 Motor torques for frequency-converter range 5 Hz - 70 Hz, line frequency 50 Hz

P kW	Type	Connection	5 Hz	10 Hz	20 Hz	30 Hz	50 Hz	60 Hz	70 Hz	5 Hz	10 Hz	20 Hz	30 Hz	50 Hz	60 Hz	70 Hz
			M Nm	M Nm	M Nm	M Nm	M Nm	M Nm	M Nm	M Nm	M Nm	I A	I A	I A	I A	I A
0.12	DHE05LA4	Y	0.49	0.61	0.73	0.81	0.82	0.82	0.65	0.36	0.37	0.385	0.39	0.39	0.44	0.415
0.18	DHE05LA4	Y	0.75	0.93	1.12	1.23	1.25	1.25	1.03	0.53	0.54	0.56	0.57	0.57	0.65	0.63
0.12	DHE06LA4	Y	0.495	0.62	0.74	0.81	0.83	0.83	0.66	0.36	0.37	0.385	0.39	0.39	0.44	0.415
0.18	DHE06LA4	Y	0.75	0.93	1.12	1.23	1.25	1.25	1.03	0.54	0.55	0.57	0.58	0.58	0.66	0.64
0.25	DHE07LA4	Y	1.04	1.3	1.56	1.71	1.74	1.74	1.49	0.7	0.72	0.75	0.76	0.76	0.86	0.86
0.3	DHE07LA4	Y	1.26	1.57	1.89	2	2.1	2.1	1.8	0.82	0.85	0.88	0.9	0.9	1.02	1.02
0.37	DHE08MA4	Y	1.47	1.83	2.2	2.4	2.4	2.4	2.1	0.99	1.03	1.07	1.1	1.1	1.25	1.25
0.55	DHE08LA4	Y	2.2	2.8	3.3	3.6	3.7	3.7	3	1.15	1.23	1.32	1.38	1.38	1.56	1.51

P_N Rated power

M Permissible load torque (S1-100 %) at the rotor shaft by operation with a frequency inverter

I Load current for operation with frequency inverter

Field weakening for frequencies above 50 Hz, winding for standard voltage 400 V Y/50 Hz, Temperature Class F.

Motors with standard windings can be switched from Y- to Δ - circuit for operation with a converter having a single-phase mains connection. This has no effect on the torques and frequencies as listed in the table above. As regards the choice of converter, however, note that currents are higher than those of the Y-circuit by a factor of 1.73.

The load currents in the table are guideline values for selecting the size of frequency inverter. Load current is lower if the load torque is below the values permitted for 30-70 Hz and the frequency inverter used is of the high-grade type. This means that a smaller inverter can sometimes be used, particularly in conjunction with large motors.

Operation with frequency converter, 50 Hz

IE2 Motor torques for frequency-converter range 5 Hz - 120 Hz, line frequency 50 Hz

P kW	Type	Conne- tion	5 Hz	8,7 Hz	10 Hz	20 Hz	87 Hz	100 Hz	120 Hz	5 Hz	8,7 Hz	10 Hz	20 Hz	87 Hz	100 Hz	120 Hz
			M Nm	M Nm	M Nm	M Nm	M Nm	M Nm	M Nm	M Nm	M Nm	I A	I A	I A	I A	I A
0.12	DHE05LA4	D	0.49	0.59	0.61	0.73	0.82	0.82	0.67	0.62	0.64	0.64	0.67	0.68	0.75	0.73
0.18	DHE05LA4	D	0.75	0.89	0.93	1.12	1.25	1.25	1.06	0.91	0.93	0.94	0.97	0.99	1.09	1.1
0.12	DHE06LA4	D	0.495	0.59	0.62	0.74	0.83	0.83	0.68	0.62	0.64	0.64	0.67	0.68	0.75	0.73
0.18	DHE06LA4	D	0.75	0.89	0.93	1.12	1.25	1.25	1.06	0.93	0.95	0.95	0.99	1.01	1.11	1.12
0.25	DHE07LA4	D	1.04	1.25	1.3	1.56	1.74	1.74	1.51	1.2	1.23	1.24	1.29	1.32	1.45	1.49
0.3	DHE07LA4	D	1.26	1.51	1.57	1.89	2.1	2.1	1.82	1.42	1.46	1.47	1.52	1.56	1.71	1.77
0.37	DHE08MA4	D	1.47	1.76	1.83	2.2	2.4	2.4	2.1	1.72	1.77	1.78	1.86	1.91	2.1	2.2
0.55	DHE08LA4	D	2.2	2.6	2.8	3.3	3.7	3.7	3.1	1.99	2.1	2.2	2.3	2.4	2.7	2.7

- P_N Rated power
 M Permissible load torque (S1-100 %) at the rotor shaft by operation with a frequency inverter
 I Load current for operation with frequency inverter

Field weakening for frequencies above 87 Hz, winding for 230 V Δ /50 Hz
 $(U_{max} = 400 \text{ V } \Delta/87 \text{ Hz})$, Temperature Class F.

The load currents in the table are guideline values for selecting the size of frequency inverter. Load current is lower if the load torque is below the values permitted for 30-100 Hz and the frequency inverter used is of the high-grade type. This means that a smaller inverter can sometimes be used, particularly in conjunction with large motors.

Operation with frequency converter, 50 Hz

IE3 Motor torques for frequency-converter range 5 Hz - 70 Hz, line frequency 50 Hz

P kW	Type	Connection	5 Hz	10 Hz	20 Hz	30 Hz	50 Hz	60 Hz	70 Hz	5 Hz	10 Hz	20 Hz	30 Hz	50 Hz	60 Hz	70 Hz
			M Nm	M Nm	M Nm	M Nm	M Nm	M Nm	M Nm	M Nm	M Nm	I A	I A	I A	I A	I A
0.12	DPE05LA4	Y	0.49	0.61	0.73	0.81	0.82	0.82	0.7	0.37	0.38	0.395	0.4	0.4	0.455	0.455
0.12	DPE06LA4	Y	0.49	0.61	0.73	0.81	0.82	0.82	0.7	0.38	0.39	0.405	0.41	0.41	0.465	0.465
0.18	DPE07LA4	Y	0.73	0.92	1.1	1.21	1.23	1.23	1.05	0.52	0.53	0.55	0.56	0.56	0.64	0.64
0.25	DPE08MA4	Y	0.99	1.24	1.49	1.63	1.66	1.66	1.42	0.62	0.65	0.69	0.71	0.71	0.81	0.81
0.37	DPE08LA4	Y	1.47	1.83	2.2	2.4	2.4	2.4	2.1	0.92	0.96	1	1.03	1.03	1.17	1.17
0.55	DPE08XA4	Y	2.1	2.7	3.2	3.6	3.6	3.6	3.1	1.19	1.26	1.35	1.4	1.4	1.58	1.59
0.75	DPE08XB4	Y	3	3.8	4.5	4.9	5	5	4.2	1.57	1.67	1.78	1.85	1.86	2.1	2.2
0.75	DPE09LA4	Y	3	3.8	4.5	4.9	5	5	4.2	1.3	1.43	1.57	1.66	1.67	1.89	1.89
1.1	DPE09XA4	Y	4.3	5.4	6.5	7.2	7.3	7.3	6.2	1.9	2.1	2.3	2.4	2.4	2.8	2.8
1.5	DPE09XB4	Y	6	7.5	9	9.8	10	10	8.5	2.6	2.8	3.1	3.2	3.2	3.7	3.7
2.2	DPE09XB4C	Y	8.7	10.8	13	14.3	14.5	14.5	12.4	3.8	4.1	4.5	4.7	4.7	5.4	5.4
2.2	DPE11MA4	Y	8.7	10.8	13	14.3	14.5	14.5	12.4	3.5	3.9	4.3	4.6	4.6	5.2	5.3
3	DPE11LA4	Y	11.8	14.7	17.7	19.4	19.7	19.7	16.8	4.8	5.3	5.9	6.2	6.2	7	7.1
4	DPE11LB4	Y	15.9	19.8	23.5	26	26.5	26.5	22.5	5.7	6.4	7.3	7.8	7.8	8.8	8.9
5.5	DPE11LB4C	Y	21.5	27	32	35.5	36	36	30.5	8.3	9.2	10.3	11	11	12.5	12.5
4	DPE13MA4	Y	15.6	19.5	23	25.5	26	26	22	5.8	6.6	7.4	8	8	9.1	9.1
5.5	DPE13LA4	Y	21.5	27	32	35.5	36	36	30.5	8.9	9.8	10.8	11.5	11.5	13	13.1
7.5	DPE13XA4	Y	29	36.5	44	48	49	49	42	11.5	12.8	14.2	15.1	15.2	17.2	17.2
9.5	DPE16LB4	Y	36.5	45.5	54	60	61	61	52	14.3	16	17.8	19	19.1	22	22
11	DPE16LB4	Y	42.5	53	63	70	71	71	60	16.5	18.4	20.5	22	22	25	25
15	DPE16XB4	Y	58	72	87	95	97	97	83	23	25.5	28.5	30.5	30.5	34.5	34.5
18.5	DPE18LB4	Y	71	89	107	117	119	119	102	26	29.5	33	35.5	35.5	40.5	40.5
22	DPE18XB4	Y	85	106	127	140	142	142	121	29.5	34	38.5	41.5	41.5	47	47
30	DPE20XA4	Y	116	145	174	191	194	194	166	36.5	42.5	49	53	54	61	61
37	DPE22MA4	Y	143	179	215	235	235	235	200	49.5	57	64	69	69	78	79

- P_N Rated power
- M Permissible load torque (S1-100 %) at the rotor shaft by operation with a frequency inverter
- I Load current for operation with frequency inverter

Field weakening for frequencies above 50 Hz, winding for standard voltage 400 V Y/50 Hz, Temperature Class F.

Motors with standard windings can be switched from Y- to Δ - circuit for operation with a converter having a single-phase mains connection. This has no effect on the torques and frequencies as listed in the table above. As regards the choice of converter, however, note that currents are higher than those of the Y-circuit by a factor of 1.73.

The load currents in the table are guideline values for selecting the size of frequency inverter. Load current is lower if the load torque is below the values permitted for 30-70 Hz and the frequency inverter used is of the high-grade type. This means that a smaller inverter can sometimes be used, particularly in conjunction with large motors.

Operation with frequency converter, 50 Hz

IE3 Motor torques for frequency-converter range 5 Hz - 120 Hz, line frequency 50 Hz

P kW	Type	Con- nec- tion	5 Hz	8,7 Hz	10 Hz	20 Hz	87 Hz	100 Hz	120 Hz	5 Hz	8,7 Hz	10 Hz	20 Hz	87 Hz	100 Hz	120 Hz
			M Nm	M Nm	M Nm	M Nm	M Nm	M Nm	M Nm	M Nm	M Nm	I A	I A	I A	I A	I A
0.12	DPE05LA4	D	0.49	0.59	0.61	0.73	0.82	0.82	0.71	0.64	0.66	0.66	0.68	0.7	0.76	0.79
0.12	DPE06LA4	D	0.49	0.59	0.61	0.73	0.82	0.82	0.71	0.66	0.67	0.68	0.7	0.72	0.78	0.81
0.18	DPE07LA4	D	0.73	0.88	0.92	1.1	1.23	1.23	1.07	0.89	0.91	0.92	0.95	0.97	1.07	1.1
0.25	DPE08MA4	D	0.99	1.19	1.24	1.49	1.66	1.66	1.44	1.07	1.11	1.13	1.19	1.23	1.35	1.39
0.37	DPE08LA4	D	1.47	1.76	1.83	2.2	2.4	2.4	2.1	1.59	1.64	1.66	1.73	1.79	1.96	2.1
0.55	DPE08XA4	D	2.1	2.6	2.7	3.2	3.6	3.6	3.1	2.1	2.2	2.2	2.4	2.5	2.7	2.8
0.75	DPE08XB4	D	3	3.6	3.8	4.5	5	5	4.3	2.8	2.8	2.9	3.1	3.2	3.6	3.7
0.75	DPE09LA4	D	3	3.6	3.8	4.5	5	5	4.3	2.2	2.5	2.5	2.8	2.9	3.2	3.3
1.1	DPE09XA4	D	4.3	5.2	5.4	6.5	7.3	7.3	6.3	3.3	3.6	3.6	4	4.2	4.6	4.7
1.5	DPE09XB4	D	6	7.1	7.5	9	10	10	8.7	4.4	4.8	4.9	5.3	5.7	6.2	6.4
2.2	DPE09XB4C	D	8.7	10.4	10.8	13	14.5	14.5	12.6	6.5	7	7.1	7.7	8.2	9	9.3
2.2	DPE11MA4	D	8.7	10.4	10.8	13	14.5	14.5	12.6	6.1	6.6	6.7	7.5	8	8.8	9.1
3	DPE11LA4	D	11.8	14.1	14.7	17.7	19.7	19.7	17.1	8.3	9	9.1	10.1	10.8	11.8	12.2
4	DPE11LB4	D	15.9	19	19.8	23.5	26.5	26.5	23	9.9	10.9	11.1	12.5	13.6	14.9	15.3
5.5	DPE11LB4C	D	21.5	25.5	27	32	36	36	31	14.3	15.6	15.9	17.8	19.1	21	22
4	DPE13MA4	D	15.6	18.7	19.5	23	26	26	22.5	10	11.1	11.4	12.8	13.9	15.2	15.7
5.5	DPE13LA4	D	21.5	25.5	27	32	36	36	31	15.3	16.6	16.9	18.7	20	22	23
7.5	DPE13XA4	D	29	35	36.5	44	49	49	42.5	19.9	22	22.5	25	26.5	29	30
9.5	DPE16LB4	D	36.5	43.5	45.5	54	61	61	53	25	27.5	28	31	33.5	36.5	37.5
11	DPE16LB4	D	42.5	51	53	63	71	71	61	29	31.5	32	35.5	38.5	42	43.5
15	DPE16XB4	D	58	69	72	87	97	97	84	40	43.5	44.5	49.5	53	58	60
18.5	DPE18LB4	D	71	85	89	107	119	119	103	45	49.5	51	57	62	68	70
22	DPE18XB4	D	85	102	106	127	142	142	123	52	57	59	67	72	79	82
30	DPE20XA4	D	116	139	145	174	194	194	168	63	71	73	85	93	102	105
37	DPE22MA4	D	143	172	179	215	235	235	205	86	95	98	111	120	132	136

- P_N Rated power
- M Permissible load torque (S1-100 %) at the rotor shaft by operation with a frequency inverter
- I Load current for operation with frequency inverter

Field weakening for frequencies above 87 Hz, winding for 230 V Δ /50 Hz ($U_{max} = 400$ V Δ /87 Hz), Temperature Class F.

The load currents in the table are guideline values for selecting the size of frequency inverter. Load current is lower if the load torque is below the values permitted for 30-100 Hz and the frequency inverter used is of the high-grade type. This means that a smaller inverter can sometimes be used, particularly in conjunction with large motors.

Intermittent operation S3/S6, 50 Hz

4-pole motors for periodic intermittent operation S3/S6-75 %, mains frequency 50 Hz

Operating mode not within the scope of Regulation (EU) 2019/1781

These motors are not subject to any energy efficiency regulations worldwide!

P_N kW	Type	n_N 1/min	M_N Nm	I_N (400 V) A	Connection	$\cos\varphi$	I_A/I_N	M_A/M_N	M_S/M_N	M_K/M_N	J_{rot} kgm ²	Brake
0.75	DSE08MA4	1320	5.4	2	Y	0.81	2.9	1.5	1.4	1.7	0.00115	ES(X)010 EH(X)010/027
0.9	DSE08LA4	1350	6.3	2.3	Y	0.79	3.4	1.6	1.6	2	0.0015	
1.25	DSE08XA4	1350	8.8	3.1	Y	0.8	3.3	1.6	1.6	1.9	0.0017	
1.65	DSE09SA4	1370	11.5	3.7	Y	0.86	3.5	1.6	1.5	1.8	0.00245	ES(X)010/027 EH(X)027/040
2.2	DSE09LA4	1370	15.5	5	Y	0.86	3.6	1.7	1.6	2	0.0032	
2.5	DSE09XA4	1370	17.3	5.5	Y	0.84	4	2	1.9	2.3	0.0038	
3.7	DSE11SA4	1400	25	7.8	D	0.85	4.1	2.2	2	2.6	0.0081	ES(X)027/040/070 EH(X)070/125
5	DSE11MA4	1380	34	10.3	D	0.86	4.4	2.2	1.9	2.4	0.0105	
6.6	DSE11LA4	1400	44	13.5	D	0.86	4.8	2.4	2.1	2.7	0.014	
9.5	DSE13MA4	1420	63	19	D	0.85	5	2.2	2	2.5	0.029	ES(X)040/070/125 EH(X)200
11	DSE13LA4	1430	73	22	D	0.84	5.3	2.5	2.3	2.6	0.0345	
13.5	DSE16MB4	1450	90	27.5	D	0.83	4.8	2	1.7	2.2	0.057	ES(X)125/200 EH(X)400 ZS(X)300
18.5	DSE16LB4	1450	123	36.5	D	0.85	5	2	1.7	2.2	0.076	
20	DSE16XB4	1450	132	40	D	0.82	5.7	2.3	2	2.6	0.087	ES(X)250 EH(X)400 ZS(X)500
27	DSE18LB4	1450	180	52	D	0.86	5.4	2.5	2	2.2	0.16	
33	DSE18XB4	1450	215	63	D	0.86	5.4	2.8	2.2	2.6	0.195	

P_N	Rated power
ED	Duty cycle
n_N	Guideline value for rated speed at the rotor shaft
M_N	Rated torque at the rotor shaft
I_N	Rated current (the current can be converted in inverse ratio to the voltages for the desired special voltage)
$\cos\varphi$	Power factor
η	Efficiency at different loads
I_A/I_N	Relative starting current
M_A/M_N	Relative starting torque
M_S/M_N	Relative pull-up torque
M_K/M_N	Relative breakdown torque
J_{rot}	Mass moment of inertia of the rotor
Brake	Brake dimensioning see chapter "Motor Mounted Components-Dimensions"

Winding configuration for standard motors for 400 V/50 Hz.

Important: Current, power factor and torque change as voltage deviates from 400 V.

Intermittent operation S3/S6, 50 Hz

4-pole motors for periodic intermittent operation S3/S6, mains frequency 50 Hz

Operating mode not within the scope of Regulation (EU) 2019/1781

These motors are not subject to any energy efficiency regulations worldwide!

P _N kW	ED	Type	n _N 1/min	M _N Nm	I _N (400 V) A	Conne- ction	cosφ	I _A /I _N	M _A /M _N	M _S /M _N	M _K /M _N	J _{rot} kgm ²	Brake
0.15	15%	D04LA4	1350	1.05	0.7	Y	0.73	2.3	1.7	1.7	1.9	0.000175	E003
0.3	15%	D05LA4	1350	2.1	0.98	Y	0.75	2.6	1.9	1.8	1.9	0.000295	E003
0.3	60%	D06LA4	1350	2.1	0.98	Y	0.75	2.6	1.9	1.8	1.9	0.000295	E003
0.55	60%	D07LA4	1350	3.9	1.95	Y	0.86	1.8	1.5	1.4	1.6	0.000385	E003, E004
0.75	60%	D08MA4	1400	5.1	2	Y	0.81	3.4	1.6	1.4	1.7	0.00115	ES(X)010
1.1	60%	D08LA4	1400	7.5	2.8	Y	0.82	3.3	1.5	1.4	1.7	0.0015	EH(X)010/027
1.5	60%	D09SA4	1400	10.2	3.6	Y	0.84	3.9	1.7	1.5	2	0.00245	ES(X)010/027 EH(X)027/040
2.2	60%	D09LA4	1400	15	5	Y	0.86	3.9	1.6	1.5	1.9	0.0032	
3	60%	D09XA4	1400	20	6.8	Y	0.86	3.4	1.7	1.6	1.9	0.0038	
4	60%	D11SA4	1420	26.5	8.9	D	0.85	4	1.6	1.4	2	0.0081	ES(X)027/040/070 EH(X)070/125
5.5	60%	D11MA4	1420	37	11.7	D	0.87	4.3	1.5	1.5	2	0.0105	
7.5	60%	D11LA4	1420	50	16	D	0.87	4.3	1.8	1.7	2.1	0.014	
9.5	60%	D13MA4	1420	64	19	D	0.87	4.9	1.9	1.6	2.2	0.029	ES(X)040/070/125
11	60%	D13LA4	1420	72	22	D	0.84	5.5	2.4	2.1	2.5	0.0345	EH(X)200
13.5	60%	D16MB4	1460	88	28	D	0.84	5.6	2.1	1.6	2	0.057	ES(X)125/200
18.5	60%	D16LB4	1460	121	38	D	0.84	5.1	1.9	1.6	2.1	0.076	EH(X)400
22	60%	D16XB4	1460	144	46	D	0.84	5.4	2.1	1.6	2	0.087	ZS(X)300
30	60%	D18LB4	1460	196	58	D	0.89	4.5	1.8	1.5	1.7	0.16	ES(X)250
37	60%	D18XB4	1460	240	74	D	0.85	5.5	2.5	2	2.3	0.195	EH(X)400 ZS(X)500
37	60%	D20LA4	1480	240	68	D	0.88	6.7	2.4	2	2.7	0.352	ES(X)250 ZS(X)500
45	60%	D22SA4	1480	290	80	D	0.89	6.5	2.4	2	2.7	0.389	ES(X)250
55	60%	D22MA4	1480	350	99	D	0.87	7.5	2.5	1.8	3.2	0.432	ZS(X)500

P _N	Rated power
ED	Duty cycle
n _N	Guideline value for rated speed at the rotor shaft
M _N	Rated torque at the rotor shaft
I _N	Rated current (the current can be converted in inverse ratio to the voltages for the desired special voltage)
cosφ	Power factor
η	Efficiency at different loads
I _A /I _N	Relative starting current
M _A /M _N	Relative starting torque
M _S /M _N	Relative pull-up torque
M _K /M _N	Relative breakdown torque
J _{rot}	Mass moment of inertia of the rotor
Brake	Brake dimensioning see chapter "Motor Mounted Components-Dimensions"

Winding configuration for standard motors for 400 V/50 Hz.

Important: Current, power factor and torque change as voltage deviates from 400 V.

Energy Efficient Geared Motors

AC Line Operated / European Union

14

Continuous operation S1, 60 Hz

4-pole motors for continuous operation S1, mains frequency 60 Hz

Power range not within the scope of Regulation (EU) 2019/1781

These motors are not subject to any energy efficiency regulations worldwide!

P_N kW	Type	n_N 1/min	M_N Nm	I_N (460 V) A	Connection	$\cos\phi$	I_A/I_N	M_A/M_N	M_S/M_N	M_K/M_N	J_{rot} kgm ²	Brake
0.03	D04LA4	1620	0.17	0.18	Y	0.6	2.4	2.9	2.9	3.3	0.000175	E003
0.04	D04LA4	1620	0.23	0.18	Y	0.6	2.4	2.2	2.2	2.5	0.000175	
0.06	D04LA4	1620	0.35	0.28	Y	0.6	2.5	2.3	2.3	2.7	0.000175	
0.09	D04LA4	1620	0.52	0.4	Y	0.69	2.7	2.4	2.4	2.9	0.000175	
0.11	D04LA4	1620	0.64	0.42	Y	0.58	2.7	2.4	2.4	2.7	0.000175	
0.06	D05LA4	1620	0.35	0.32	Y	0.72	4.1	4.1	3.8	4.1	0.000295	E003
0.09	D05LA4	1620	0.52	0.35	Y	0.7	4.3	3.3	3.1	3.3	0.000295	
0.06	D06LA4	1620	0.35	0.32	Y	0.72	4.1	4.1	3.8	4.1	0.000295	E003
0.09	D06LA4	1620	0.52	0.35	Y	0.7	4.3	3.3	3.1	3.3	0.000295	

P_N	Rated power
ED	Duty cycle
n_N	Guideline value for rated speed at the rotor shaft
M_N	Rated torque at the rotor shaft
I_N	Rated current (the current can be converted in inverse ratio to the voltages for the desired special voltage)
$\cos\phi$	Power factor
η	Efficiency at different loads
I_A/I_N	Relative starting current
M_A/M_N	Relative starting torque
M_S/M_N	Relative pull-up torque
M_K/M_N	Relative breakdown torque
J_{rot}	Mass moment of inertia of the rotor
Brake	Brake dimensioning see chapter "Motor Mounted Components-Dimensions"

Winding configuration for standard motors for 460 V/60 Hz.

Important: Current, power factor and torque change as voltage deviates from 460 V.

Motors

Technical data

Continuous operation S1, 60 Hz

4-pole IE2 motors for continuous operation S1, mains frequency 60 Hz

4-pole IE2 motors for continuous operation S1, mains frequency 60 Hz		Power losses in % at operating points (Speed/Torque)									
		25/25	25/100	50/25	50/50	50/100	90/50	90/100	90/100		
η (100 %-Load)	%	68.8	68.4	65.8	65.4	63.1	62.4	61.2	60.6	60.0	-
η (75 %-Load)	%	77.8	77.4	74.6	74.2	71.8	71.2	70.0	69.4	68.8	-
η (50 %-Load)	%	80.5	80.1	77.6	77.2	74.8	74.2	73.0	72.4	71.8	-
IE Class		IE2	IE2	IE2	IE2	IE2	IE2	IE2	IE2	IE2	IE2
Manufacturer data		DHE05LA4	DHE06LA4	DHE05LA4	DHE06LA4	DHE05LA4	DHE06LA4	DHE07LA4	DHE08MA4	DHE08LA4	
Type		4	4	4	4	4	4	4	4	4	
Number of poles		0.12	0.12	0.18	0.18	0.25	0.3	0.37	0.55		
P	kW	60	60	60	60	60	60	60	60	60	
Frequency	Hz	460	460	460	460	460	460	460	460	460	
Voltage	V	1710	1710	1700	1700	1700	1690	1745	1730		
n_N	1/min	2)	2)	2)	2)	2)	2)	2)	2)		
Type of motor		3)	3)	3)	3)	3)	3)	3)	3)		
Operating conditions											
1) Manufacturer: Commercial register number: Address:		Bauer Gear Motor GmbH HRB 736269 Eberhard-Bauer-Str. 37, 73734 Esslingen/Germany									
2) Type of motor:		three-phase motor									
3) Installation altitude above sea level (m): Ambient temperature: -20 °C to +40 °C		1000 -20 °C to +40 °C									

4-pole IE2 motors for continuous operation S1, mains frequency 60 Hz

More data

P_N kW	Type	n_N 1/min	M_N Nm	I_N (400 V) A	Con- nec- tion	$\cos\varphi$	η (100 % -Load) %	I_A/I_N	M_A/M_N	M_S/M_N	M_K/M_N	J_{rot} kgm ²	Brake
0.12	DHE05LA4	1710	0.67	0.36	Y	0.61	68.8	4	2.8	2.8	3.2	0.000295	E003
0.12	DHE06LA4	1710	0.67	0.36	Y	0.6	68.4	3.9	2.8	2.8	3.3	0.000295	E003
0.18	DHE05LA4	1700	1.01	0.52	Y	0.61	71.6	4	3.2	3.1	3.3	0.000295	E003
0.18	DHE06LA4	1700	1.01	0.53	Y	0.6	71.2	3.9	3.2	3.1	3.3	0.000295	E003
0.25	DHE07LA4	1700	1.4	0.7	Y	0.62	72.6	4.2	3.4	3.2	3.5	0.000385	E003. E004
0.3	DHE07LA4	1690	1.7	0.82	Y	0.62	74.6	4.2	3.5	3.3	3.5	0.000385	
0.37	DHE08MA4	1745	2	0.99	Y	0.6	77.8	5.9	2.9	2.7	3.6	0.00115	ES(X)010
0.55	DHE08LA4	1730	3.05	1.23	Y	0.69	80.5	5.4	2.7	2.4	3.2	0.0015	EH(X)010/027

P_N	Rated power
ED	Duty cycle
n_N	Guideline value for rated speed at the rotor shaft
M_N	Rated torque at the rotor shaft
I_N	Rated current (the current can be converted in inverse ratio to the voltages for the desired special voltage)
$\cos\varphi$	Power factor
η	Efficiency at different loads
I_A/I_N	Relative starting current
M_A/M_N	Relative starting torque
M_S/M_N	Relative pull-up torque
M_K/M_N	Relative breakdown torque
J_{rot}	Mass moment of inertia of the rotor
Brake	Brake dimensioning see chapter "Motor Mounted Components-Dimensions"

Winding configuration for standard motors for 460 V/60 Hz.

Important: Current, power factor and torque change as voltage deviates from 460 V.

See "www.bauergears.com" for more information.

Continuous operation S1, 60 Hz

4-pole IE3 motors for continuous operation S1, line frequency 60 Hz

4-polige IE3 Motoren für Dauerbetrieb S1, Netzfrequenz 60 Hz		Leistungsverluste in % bei Betriebspunkte (Drehzahl/Drehmoment)																		
η (100 %-Last)	η (75 %-Last)	η (50 %-Last)	IE Klasse	Herstellerdaten	Typ	Polzahl	P	Frequenz	Spannung	n_n	Art des Motors	Betriebsbedingungen	25/25	25/100	50/25	50/50	50/100	90/50	90/100	
%	%	%					kW	Hz	V	1/min										
71.4	68.2	61	IE3	DPE05LA4	4	0.12	60	460	1715	2)	3)	3)	20.4	30.2	22.9	24.9	32.8	30.7	38.9	
70.8	67.4	60.3	IE3	DPE06LA4	4	0.12	60	460	1715	2)	3)	3)	20.6	30.5	23.1	25.2	33.3	31.1	39.6	
73.1	70.5	64.2	IE3	DPE07LA4	4	0.18	60	460	1715	2)	3)	3)	16.9	27.1	19.1	21.2	29.5	26.4	35.1	
78.2	76.2	70.9	IE3	DPE08MA4	4	0.25	60	460	1745	2)	3)	3)	11.6	19.7	13.8	15.5	22.3	21.0	28.4	
81.5	79.4	74.3	IE3	DPE08LA4	4	0.37	60	460	1750	2)	3)	3)	8.7	15.0	10.5	11.8	17.0	16.1	21.6	
82.9	81.7	77.9	IE3	DPE08XA4	4	0.55	60	460	1740	2)	3)	3)	7.6	15.0	9.1	10.6	16.7	14.1	20.5	
85	84.6	81.7	IE3	DPE08XB4	4	0.75	60	460	1735	2)	3)	3)	6.5	14.1	7.5	9.1	15.3	11.4	18.0	
83.9	82.6	78.9	IE3	DPE09LA4	4	0.75	60	460	1750	2)	3)	3)	5.0	11.5	6.9	8.3	13.7	12.8	18.8	
87.4	86.4	83.5	IE3	DPE09XB4	4	1.1	60	460	1755	2)	3)	3)	5.3	10.6	6.6	7.7	12.0	10.8	15.3	
87.1	86.8	84.4	IE3	DPE09XB4	4	1.5	60	460	1745	2)	3)	3)	5.0	11.6	6.1	7.4	12.9	9.9	15.7	
90.3	90	88.3	IE3	DPE11LB4	4	2.2	60	460	1760	2)	3)	3)	3.3	7.9	4.3	5.2	9.0	7.5	11.6	
90.7	90.5	88.9	IE3	DPE11LB4	4	3	60	460	1760	2)	3)	3)	2.5	7.5	3.8	4.8	8.8	7.0	11.0	
90.5	90.5	89.5	IE3	DPE11LB4	4	4	60	460	1760	2)	3)	3)	3.0	7.8	3.8	4.8	8.7	6.8	11.0	
89.6	89.1	86.9	IE3	DPE13MA4	4	4	60	460	1770	2)	3)	3)	3.1	7.2	4.2	5.1	8.6	7.8	11.8	
91.8	91.8	90.4	IE3	DPE13XA4	4	5.5	60	460	1770	2)	3)	3)	3.3	7.0	4.1	4.8	7.9	6.6	9.9	
91.8	91.9	90.6	IE3	DPE13XA4	4	7.5	60	460	1765	2)	3)	3)	3.3	7.2	3.9	4.7	8.0	6.3	9.9	
92.5	92.3	90.8	IE3	DPE16LB4	4	9.5	60	460	1780	2)	3)	3)	2.3	5.2	3.0	3.6	6.1	5.4	8.3	
92.5	92.6	91.2	IE3	DPE16LB4	4	11	60	460	1780	2)	3)	3)	3.0	6.1	3.6	4.3	7.0	5.9	9.0	
93.3	93.1	92	IE3	DPE16XB4	4	15	60	460	1780	2)	3)	3)	2.0	4.7	2.5	3.1	5.5	4.6	7.3	
93.8	93.7	92.6	IE3	DPE18LB4	4	18.5	60	460	1780	2)	3)	3)	2.3	4.6	2.8	3.4	5.4	4.8	7.2	
93.8	93.9	93.2	IE3	DPE18XB4	4	22	60	460	1780	2)	3)	3)	2.6	5.1	3.1	3.7	5.9	5.0	7.7	
94.8	94.9	94.4	IE3	DPE20XA4	4	30	60	460	1780	2)	3)	3)	1.2	3.7	1.6	2.1	4.2	3.1	5.5	
94.8	94.8	94.2	IE3	DPE22MA4	4	37	60	460	1780	2)	3)	3)	1.4	3.8	1.8	2.3	4.3	3.3	5.6	

1) Manufacturer: Bauer Gear Motor GmbH

Commercial register number: HRB 736269

Address: Eberhard-Bauer-Str. 37, 73734 Esslingen/Germany

2) Type of motor: three-phase motor

3) Installation altitude above sea level (m): 1000

Ambient temperature: -20 °C to +40 °C

4-pole IE3 motors for continuous operation S1, line frequency 60 Hz

More data

P_N kW	Type	n_N 1/min	M_N Nm	I_N (460 V) A	Connec- tion	$\cos\phi$	η (100%- Load) %	I_A/I_N	M_A/M_N	M_S/M_N	M_K/M_N	J_{rot} kgm ²	Brake
0.12	DPE05LA4	1715	0.67	0.37	Y	0.57	71.4	4.4	3.7	3.6	3.9	0.000295	E003
0.12	DPE06LA4	1715	0.67	0.37	Y	0.57	70.8	4.4	3.7	3.6	3.9	0.000295	E003
0.18	DPE07LA4	1715	1	0.52	Y	0.6	73.1	4.7	3.8	3.6	3.9	0.000385	E003, E004
0.25	DPE08MA4	1745	1.37	0.65	Y	0.63	78.2	5.5	3	2.7	3.7	0.00115	ES(X)010 EH(X)010/027
0.37	DPE08LA4	1750	2	0.94	Y	0.6	81.5	6.3	3.6	3.3	4.3	0.0015	
0.55	DPE08XA4	1740	3	1.25	Y	0.67	82.9	6.2	3.4	3	3.9	0.0017	ES(X)010/027 EH(X)027/040
0.75	DPE08XB4	1735	4.15	1.67	Y	0.67	85	6.4	3.6	3.1	4	0.002	
0.75	DPE09LA4	1750	4.1	1.45	Y	0.76	83.9	7.7	3.7	3.4	4.2	0.0032	ES(X)010/027 EH(X)027/040
1.1	DPE09XB4	1755	6	2.2	Y	0.73	87.4	8.7	4.2	3.8	5	0.0049	
1.5	DPE09XB4	1745	8.2	2.9	Y	0.76	87.1	7.6	3.6	3.4	4.3	0.0049	ES(X)027/040/070 EH(X)070/125
2.2	DPE11LB4	1760	11.9	3.7	Y	0.83	90.3	9.5	3.7	3.2	4.5	0.017	
3	DPE11LB4	1760	16.3	5.2	D	0.81	90.7	9	3.8	3.3	4.6	0.017	ES(X)040/070/125 EH(X)200
4	DPE11LB4	1760	21.7	6.9	D	0.81	90.5	9.3	3.7	3	4.7	0.017	
4	DPE13MA4	1770	21.6	7	D	0.8	89.6	8.5	3.7	2.7	4.1	0.029	ES(X)040/070/125 EH(X)200
5.5	DPE13XA4	1770	29.5	9.5	D	0.79	91.8	9	4.4	3.1	4.2	0.04	
7.5	DPE13XA4	1765	40.5	13.2	D	0.77	91.8	8.5	3.7	3	4.1	0.04	ES(X)125/200 EH(X)400 ZS(X)300
9.5	DPE16LB4	1780	51	16.7	D	0.77	92.5	8.7	3.5	2.1	3.5	0.0755	
11	DPE16LB4	1780	59	19.3	D	0.77	92.5	8	3.3	2	3.3	0.0755	ES(X)250 EH(X)400 ZS(X)500
15	DPE16XB4	1780	80.5	26.2	D	0.77	93.3	8.8	3.7	2.3	3.6	0.097	
18.5	DPE18LB4	1780	99	31	D	0.8	93.8	9.6	4.3	2.7	3.7	0.17	ES(X)250 EH(X)400 ZS(X)500
22	DPE18XB4	1780	118	36.5	D	0.81	93.8	9.1	3.9	2.4	3.2	0.195	
30	DPE20XA4	1785	160	46.5	D	0.86	94.8	9.5	3.4	2.9	3.9	0.3888	ES(X)250 ZS(X)500
37	DPE22MA4	1780	198	60	D	0.82	94.8	9.7	3.7	3.3	4.2	0.4318	

P_N	Rated power
ED	Duty cycle
n_N	Guideline value for rated speed at the rotor shaft
M_N	Rated torque at the rotor shaft
I_N	Rated current (the current can be converted in inverse ratio to the voltages for the desired special voltage)
$\cos\phi$	Power factor
η	Efficiency at different loads
I_A/I_N	Relative starting current
M_A/M_N	Relative starting torque
M_S/M_N	Relative pull-up torque
M_K/M_N	Relative breakdown torque
J_{rot}	Mass moment of inertia of the rotor
Brake	Brake dimensioning see chapter "Motor Mounted Components-Dimensions"

Winding configuration for standard motors for 460 V/60 Hz.

Important: Current, power factor and torque change as voltage deviates from 460 V.

See "www.bauergears.com" for more information.

Operation with frequency converter, 60 Hz

IE2 Motor torques for frequency-converter range 5 Hz - 80 Hz, line frequency 60 Hz

P kW	Type	Connection	5 Hz	10 Hz	20 Hz	30 Hz	60 Hz	70 Hz	80 Hz	5 Hz	10 Hz	20 Hz	30 Hz	60 Hz	70 Hz	80 Hz
			M Nm	M Nm	M Nm	M Nm	M Nm	M Nm	M Nm	M Nm	M Nm	I A	I A	I A	I A	I A
0.12	DHE05LA4	Y	0.4	0.5	0.6	0.66	0.67	0.67	0.6	0.335	0.345	0.355	0.36	0.36	0.4	0.41
0.18	DHE05LA4	Y	0.6	0.75	0.9	0.99	1.01	1.01	0.9	0.485	0.5	0.51	0.52	0.52	0.58	0.59
0.12	DHE06LA4	Y	0.4	0.5	0.6	0.66	0.67	0.67	0.6	0.34	0.35	0.355	0.36	0.36	0.4	0.41
0.18	DHE06LA4	Y	0.6	0.75	0.9	0.99	1.01	1.01	0.9	0.495	0.51	0.52	0.53	0.53	0.59	0.6
0.25	DHE07LA4	Y	0.84	1.05	1.26	1.38	1.4	1.4	1.26	0.65	0.67	0.69	0.7	0.7	0.78	0.8
0.3	DHE07LA4	Y	1.02	1.27	1.53	1.67	1.7	1.7	1.53	0.76	0.78	0.81	0.82	0.82	0.91	0.93
0.37	DHE08MA4	Y	1.2	1.5	1.8	1.97	2	2	1.8	0.9	0.94	0.97	0.99	0.99	1.1	1.12
0.55	DHE08LA4	Y	1.83	2.2	2.7	3	3	3	2.7	1.05	1.11	1.18	1.23	1.23	1.37	1.39

- P_N Rated power
- M Permissible load torque (S1-100 %) at the rotor shaft by operation with a frequency inverter
- I Load current for operation with frequency inverter

Field weakening for frequencies above 60 Hz, winding for standard voltage 460 V Y/60 Hz, Temperature Class F.

Motors with standard windings can be switched from Y- to Δ - circuit for operation with a converter having a single-phase mains connection. This has no effect on the torques and frequencies as listed in the table above. As regards the choice of converter, however, note that currents are higher than those of the Y-circuit by a factor of 1.73.

The load currents in the table are guideline values for selecting the size of frequency inverter. Load current is lower if the load torque is below the values permitted for 36-84 Hz and the frequency inverter used is of the high-grade type. This means that a smaller inverter can sometimes be used, particularly in conjunction with large motors.

Operation with frequency converter, 60 Hz

IE2 Motor torques for frequency-converter range 5 Hz - 120 Hz, line frequency 60 Hz

P kW	Type	Connection	5 Hz	10 Hz	20 Hz	30 Hz	104 Hz	120 Hz	5 Hz	10 Hz	20 Hz	30 Hz	104 Hz	120 Hz
			M Nm	M Nm	M Nm	M Nm	M Nm	M Nm	M Nm	I A	I A	I A	I A	I A
0.12	DHE05LA4	D	0.4	0.5	0.6	0.66	0.67	0.67	0.58	0.6	0.62	0.63	0.63	0.69
0.18	DHE05LA4	D	0.6	0.75	0.9	0.99	1.01	1.01	0.84	0.86	0.89	0.9	0.91	0.99
0.12	DHE06LA4	D	0.4	0.5	0.6	0.66	0.67	0.67	0.59	0.6	0.62	0.63	0.63	0.69
0.18	DHE06LA4	D	0.6	0.75	0.9	0.99	1.01	1.01	0.86	0.88	0.91	0.92	0.92	1.01
0.25	DHE07LA4	D	0.84	1.05	1.26	1.38	1.4	1.4	1.12	1.15	1.19	1.21	1.22	1.34
0.3	DHE07LA4	D	1.02	1.27	1.53	1.67	1.7	1.7	1.3	1.35	1.39	1.42	1.43	1.57
0.37	DHE08MA4	D	1.2	1.5	1.8	1.97	2	2	1.56	1.62	1.68	1.71	1.72	1.89
0.55	DHE08LA4	D	1.83	2.2	2.7	3	3	3	1.81	1.92	2.1	2.2	2.2	2.4

- P_N Rated power
 M Permissible load torque (S1-100 %) at the rotor shaft by operation with a frequency inverter
 I Load current for operation with frequency inverter

Field weakening for frequencies above 87 Hz, winding for standard voltage 265 V/60 Hz ($U_{max} = 460 \text{ V}/104 \text{ Hz}$), Temperature Class F.

The load currents in the table are guideline values for selecting the size of frequency inverter. Load current is lower if the load torque is below the values permitted for 36-120 Hz and the frequency inverter used is of the high-grade type. This means that a smaller inverter can sometimes be used, particularly in conjunction with large motors.

Operation with frequency converter, 60 Hz

IE3 Motor torques for frequency-converter range 5 Hz - 80 Hz, line frequency 60 Hz

P kW	Type	Connection	5 Hz	10 Hz	20 Hz	30 Hz	60 Hz	70 Hz	80 Hz	5 Hz	10 Hz	20 Hz	30 Hz	60 Hz	70 Hz	80 Hz
			M Nm	M Nm	M Nm	M Nm	M Nm	M Nm	M Nm	M Nm	M Nm	I A	I A	I A	I A	I A
0.12	DPE05LA4	Y	0.4	0.5	0.6	0.66	0.67	0.67	0.6	0.345	0.355	0.365	0.37	0.37	0.41	0.42
0.12	DPE06LA4	Y	0.4	0.5	0.6	0.66	0.67	0.67	0.6	0.35	0.36	0.365	0.37	0.37	0.41	0.42
0.18	DPE07LA4	Y	0.6	0.75	0.9	0.98	1	1	0.9	0.48	0.495	0.51	0.52	0.52	0.58	0.59
0.25	DPE08MA4	Y	0.82	1.02	1.23	1.35	1.37	1.37	1.23	0.57	0.6	0.63	0.65	0.65	0.72	0.74
0.37	DPE08LA4	Y	1.2	1.5	1.8	1.97	2	2	1.8	0.85	0.88	0.92	0.94	0.94	1.05	1.07
0.55	DPE08XA4	Y	1.8	2.2	2.7	2.9	3	3	2.7	1.08	1.14	1.21	1.25	1.25	1.39	1.42
0.75	DPE08XB4	Y	2.4	3.1	3.7	4.1	4.1	4.1	3.7	1.43	1.51	1.61	1.67	1.67	1.85	1.89
0.75	DPE09LA4	Y	2.4	3	3.6	4	4.1	4.1	3.6	1.16	1.26	1.37	1.44	1.45	1.61	1.64
1.1	DPE09XB4	Y	3.6	4.5	5.4	5.9	6	6	5.4	1.8	1.94	2.1	2.2	2.2	2.5	2.5
1.5	DPE09XB4	Y	4.9	6.1	7.3	8.1	8.2	8.2	7.3	2.4	2.6	2.8	2.9	2.9	3.2	3.3
2.2	DPE11LB4	Y	7.1	8.9	10.7	11.7	11.9	11.9	10.7	2.8	3.1	3.5	3.7	3.7	4.1	4.2
3	DPE11LB4	Y	9.7	12.2	14.6	16.1	16.3	16.3	14.6	3.9	4.4	4.9	5.2	5.2	5.8	5.9
4	DPE11LB4	Y	13	16.2	19.5	21	21.5	21.5	19.5	5.2	5.8	6.5	6.9	6.9	7.7	7.8
4	DPE13MA4	Y	12.9	16.2	19.4	21	21.5	21.5	19.4	5.2	5.8	6.5	7	7	7.8	8
5.5	DPE13XA4	Y	17.7	22	26.5	29	29.5	29.5	26.5	7.2	8	8.9	9.5	9.5	10.6	10.8
7.5	DPE13XA4	Y	24	30	36	40	40.5	40.5	36	10.2	11.3	12.4	13.1	13.2	14.7	15
9.5	DPE16LB4	Y	30.5	38	45.5	50	51	51	45.5	12.7	14.1	15.6	16.6	16.7	18.5	18.9
11	DPE16LB4	Y	35	44	53	58	59	59	53	14.6	16.3	18.1	19.2	19.3	21.5	22
15	DPE16XB4	Y	48	60	72	79	80	80	72	19.9	22.5	24.5	26	26.5	29.5	30
18.5	DPE18LB4	Y	59	74	89	97	99	99	89	23	26	29	31	31	34.5	35.5
22	DPE18XB4	Y	70	88	106	116	118	118	106	26.5	30	34	36.5	36.5	40.5	41.5
30	DPE20XA4	Y	96	120	144	158	160	160	144	32.5	37.5	43	46.5	46.5	52	53
37	DPE22MA4	Y	118	148	178	195	198	198	178	44	49.5	56	60	60	67	68

- P_N Rated power
- M Permissible load torque (S1-100 %) at the rotor shaft by operation with a frequency inverter
- I Load current for operation with frequency inverter

Field weakening for frequencies above 60 Hz, winding for standard voltage 460 V Y/60 Hz, Temperature Class F.

Motors with standard windings can be switched from Y- to Δ - circuit for operation with a converter having a single-phase mains connection. This has no effect on the torques and frequencies as listed in the table above. As regards the choice of converter, however, note that currents are higher than those of the Y-circuit by a factor of 1.73.

The load currents in the table are guideline values for selecting the size of frequency inverter. Load current is lower if the load torque is below the values permitted for 36-84 Hz and the frequency inverter used is of the high-grade type. This means that a smaller inverter can sometimes be used, particularly in conjunction with large motors.

Operation with frequency converter, 60 Hz

IE3 Motor torques for frequency-converter range 5 Hz - 120 Hz, line frequency 60 Hz

P kW	Type	Connection	5 Hz	10 Hz	20 Hz	30 Hz	104 Hz	120 Hz	5 Hz	10 Hz	20 Hz	30 Hz	104 Hz	120 Hz
			M Nm	M Nm	M Nm	M Nm	M Nm	M Nm	M Nm	I A	I A	I A	I A	I A
0.12	DPE05LA4	D	0.4	0.5	0.6	0.66	0.67	0.67	0.6	0.62	0.63	0.64	0.65	0.71
0.12	DPE06LA4	D	0.4	0.5	0.6	0.66	0.67	0.67	0.61	0.62	0.64	0.64	0.65	0.71
0.18	DPE07LA4	D	0.6	0.75	0.9	0.98	1	1	0.83	0.86	0.89	0.9	0.91	0.99
0.25	DPE08MA4	D	0.82	1.02	1.23	1.35	1.37	1.37	0.99	1.04	1.09	1.13	1.13	1.24
0.37	DPE08LA4	D	1.2	1.5	1.8	1.97	2	2	1.47	1.52	1.59	1.63	1.63	1.79
0.55	DPE08XA4	D	1.8	2.2	2.7	2.9	3	3	1.87	1.98	2.1	2.2	2.2	2.4
0.75	DPE08XB4	D	2.4	3.1	3.7	4.1	4.1	4.1	2.5	2.7	2.8	2.9	2.9	3.2
0.75	DPE09LA4	D	2.4	3	3.6	4	4.1	4.1	2.1	2.2	2.4	2.5	2.6	2.8
1.1	DPE09XB4	D	3.6	4.5	5.4	5.9	6	6	3.2	3.4	3.7	3.8	3.8	4.2
1.5	DPE09XB4	D	4.9	6.1	7.3	8.1	8.2	8.2	4	4.4	4.8	5	5.1	5.6
2.2	DPE11LB4	D	7.1	8.9	10.7	11.7	11.9	11.9	4.7	5.3	6	6.4	6.5	7.1
3	DPE11LB4	D	9.7	12.2	14.6	16.1	16.3	16.3	6.7	7.5	8.4	9	9.1	9.9
4	DPE11LB4	D	13	16.2	19.5	21	21.5	21.5	8.9	10	11.2	11.9	12	13.2
4	DPE13MA4	D	12.9	16.2	19.4	21	21.5	21.5	8.9	10	11.3	12.1	12.2	13.4
5.5	DPE13XA4	D	17.7	22	26.5	29	29.5	29.5	12.4	13.8	15.4	16.4	16.5	18.1
7.5	DPE13XA4	D	24	30	36	40	40.5	40.5	17.6	19.5	21.5	23	23	25.5
9.5	DPE16LB4	D	30.5	38	45.5	50	51	51	22	24.5	27.5	29	29	32
11	DPE16LB4	D	35	44	53	58	59	59	25.5	28.5	31.5	33.5	33.5	37
15	DPE16XB4	D	48	60	72	79	80	80	34.5	38.5	42.5	45.5	45.5	50
18.5	DPE18LB4	D	59	74	89	97	99	99	39.5	44.5	50	54	54	60
22	DPE18XB4	D	70	88	106	116	118	118	45.5	52	59	63	64	70
30	DPE20XA4	D	96	120	144	158	160	160	56	65	74	80	81	89
37	DPE22MA4	D	118	148	178	195	198	198	76	86	97	103	104	115

- P_N Rated power
- M Permissible load torque (S1-100 %) at the rotor shaft by operation with a frequency inverter
- I Load current for operation with frequency inverter

Field weakening for frequencies above 104 Hz, winding design for standard voltage 265 V Y/60 Hz ($U_{max} = 460 \text{ V } \Delta / 104 \text{ Hz}$), thermal class F.

The load currents in the table are guideline values for selecting the size of frequency inverter. Load current is lower if the load torque is below the values permitted for 36-120 Hz and the frequency inverter used is of the high-grade type. This means that a smaller inverter can sometimes be used, particularly in conjunction with large motors.

Intermittent operation S3/S6, 60 Hz

4-pole motors for periodic intermittent operation S3/S6-75 %, mains frequency 60 Hz

Operating mode not within the scope of Regulation (EU) 2019/1781

These motors are not subject to any energy efficiency regulations worldwide!

P _N kW	Type	n _N 1/min	M _N Nm	I _N (400 V) A	Connection	cosφ	I _A /I _N	M _A /M _N	M _S /M _N	M _K /M _N	J _{rot} kgm ²	Brake
0.9	DSE08MA4	1620	5.4	2.1	Y	0.81	3.2	1.6	1.5	1.9	0.00115	ES(X)010 EH(X)010/027
1.1	DSE08LA4	1660	6.3	2.4	Y	0.79	3.6	1.6	1.6	1.9	0.0015	
1.5	DSE08XA4	1660	8.4	3.1	Y	0.81	3.6	1.6	1.5	1.8	0.0017	
2	DSE09SA4	1660	11.5	3.8	Y	0.86	4.2	1.8	1.6	2	0.00245	ES(X)010/027 EH(X)027/040
2.6	DSE09LA4	1660	15.3	5	Y	0.86	4.3	1.9	1.8	2.2	0.0032	
3	DSE09XA4	1680	17	5.5	Y	0.83	4.8	2.4	2.2	2.6	0.0038	ES(X)027/040/070 EH(X)070/125
4.5	DSE11SA4	1700	25	7.8	D	0.85	4.9	2	1.8	2.5	0.0081	
6	DSE11MA4	1700	34	10.5	D	0.86	4.7	2.2	1.8	2.4	0.0105	
7.5	DSE11LA4	1720	41.5	12.7	D	0.86	5.8	2.4	2.1	2.9	0.014	ES(X)040/070/125 EH(X)200
11	DSE13MA4	1730	63	19	D	0.85	5.3	2.2	2	2.4	0.029	
13.5	DSE13LA4	1730	71	25	D	0.84	5.4	2.4	2	2.4	0.0345	ES(X)125/200 EH(X)400 ZS(X)300
15	DSE16MB4	1750	82	26	D	0.83	4.9	2.2	1.6	2.2	0.057	
22	DSE16LB4	1750	123	37	D	0.86	5	1.8	1.6	2.1	0.076	
24	DSE16XB4	1750	131	41	D	0.84	5.2	2.1	1.9	2.4	0.087	ES(X)250 EH(X)400 ZS(X)500
33	DSE18LB4	1750	180	53	D	0.87	5.4	2.2	1.8	2	0.16	
37	DSE18XB4	1760	205	60	D	0.86	5.4	2.7	2.1	2.5	0.195	

P _N	Rated power
ED	Duty cycle
n _N	Guideline value for rated speed at the rotor shaft
M _N	Rated torque at the rotor shaft
I _N	Rated current (the current can be converted in inverse ratio to the voltages for the desired special voltage)
cosφ	Power factor
η	Efficiency at different loads
I _A /I _N	Relative starting current
M _A /M _N	Relative starting torque
M _S /M _N	Relative pull-up torque
M _K /M _N	Relative breakdown torque
J _{rot}	Mass moment of inertia of the rotor
Brake	Brake dimensioning see chapter "Motor Mounted Components-Dimensions"

Winding configuration for standard motors for 460 V/60 Hz.

Important: Current, power factor and torque change as voltage deviates from 460 V.

Intermittent operation S3/S6, 60 Hz

4-pole motors for periodic intermittent operation S3/S6, mains frequency 60 Hz

Operating mode not within the scope of Regulation (EU) 2019/1781.

These motors are not subject to any energy efficiency regulations worldwide!

P _N	ED	Type	n _N	M _N	I _N	Connection	cosφ	I _A /I _N	M _A /M _N	M _S /M _N	M _K /M _N	J _{rot}	Brake
kW			1/min	Nm	(400 V) A							kgm ²	
0.15	15 %	D04LA4	1620	0.87	0.64	Y	0.73	2.5	1.9	1.9	2.1	0.000175	E003
0.3	15 %	D05LA4	1620	1.75	0.9	Y	0.75	2.8	2.1	2	2.1	0.000295	E003
0.3	60 %	D06LA4	1620	1.75	0.9	Y	0.75	2.8	2.1	2	2.1	0.000295	E003
0.55	60 %	D07LA4	1620	3.2	1.78	Y	0.86	2	1.6	1.5	1.8	0.000385	E003/E004
0.75	60 %	D08MA4	1680	4.2	1.84	Y	0.81	3.7	1.8	1.5	1.9	0.00115	ES(X)010
1.1	60 %	D08LA4	1680	6.2	2.5	Y	0.82	3.6	1.6	1.5	1.9	0.0015	EH(X)010/027
1.5	60 %	D09SA4	1680	8.5	3.3	Y	0.84	4.3	1.9	1.6	2.2	0.00245	ES(X)010/027 EH(X)027/040
2.2	60 %	D09LA4	1680	12.5	4.5	Y	0.86	4.3	1.8	1.6	2.1	0.0032	
3	60 %	D09XA4	1680	16.6	6.2	Y	0.86	3.7	1.9	1.8	2.1	0.0038	
4	60 %	D11SA4	1710	22	8.1	D	0.85	4.4	1.8	1.5	2.2	0.0081	ES(X)027/040/070 EH(X)070/125
5.5	60 %	D11MA4	1710	30.5	10.7	D	0.87	4.7	1.6	1.6	2.2	0.0105	
7.5	60 %	D11LA4	1710	41.5	14.6	D	0.87	5	2	1.9	2.3	0.014	
9.5	60 %	D13MA4	1710	53	17.3	D	0.87	5.4	2.1	1.8	2.4	0.029	ES(X)040/070/125 EH(X)200
11	60 %	D13LA4	1710	60	20	D	0.84	6	2.6	2.3	2.7	0.0335	
13.5	60 %	D16MB4	1760	73	25.5	D	0.84	6.1	2.3	1.8	2.2	0.057	ES(X)125/200
18.5	60 %	D16LB4	1760	100	35	D	0.84	5.6	2.1	1.8	2.3	0.076	EH(X)400
22	60 %	D16XB4	1760	120	42	D	0.84	5.9	2.3	1.8	2.2	0.087	ZS(X)300
30	60 %	D18LB4	1760	163	53	D	0.89	4.9	2	1.6	1.9	0.16	ES(X)250 EH(X)400 ZS(X)500
37	60 %	D18XB4	1760	200	68	D	0.85	6	2.7	2.2	2.5	0.195	

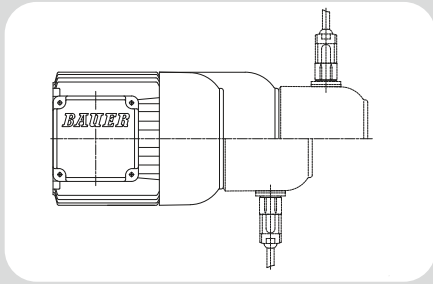
P _N	Rated power
ED	Duty cycle
n _N	Guideline value for rated speed at the rotor shaft
M _N	Rated torque at the rotor shaft
I _N	Rated current (the current can be converted in inverse ratio to the voltages for the desired special voltage)
cosφ	Power factor
η	Efficiency at different loads
I _A /I _N	Relative starting current
M _A /M _N	Relative starting torque
M _S /M _N	Relative pull-up torque
M _K /M _N	Relative breakdown torque
J _{rot}	Mass moment of inertia of the rotor
Brake	Brake dimensioning see chapter "Motor Mounted Components-Dimensions"

Winding configuration for standard motors for 460 V/60 Hz.

Important: Current, power factor and torque change as voltage deviates from 460 V.

Energy Efficient Geared Motors

AC Line Operated / European Union



15

Motor Mounted Components

Brake	489
Functional description	489
Product description of type ES(X) spring-actuated brakes	489
Product description of type ZS(X) spring-actuated brakes	490
Brake selection and sizing	491
Electrical connection	494
Specifications of holding brakes with emergency stop capability	497
Specifications of working brakes	498
Connection	500
DC connection via terminals (K)	500
Standard rectifier (S)	501
Rectifier for electronic rapid shutdown (E)	502
Rectifier for overexcitation and rapid shutdown (M)	503
Brake connection, operation with frequency converter	505
Brake connection, pole-changing motors	505
Manual release (HA, HN)	505
Explosion protection	505
Back stop (RR, RL)	505
Second motor shaft extension (ZW, ZV)	506
Protective fan cowl (D)	506
Motor-independent fan (FV)	506
Technical Data Motor-independent fan	506
Encoder System	507
Shaft encoder (G)	507
Incremental rotary encoder	508
Functional description	508
Electrical specifications	508
Plug end view with male pin insert	508
Signal assignments	508
Absolute rotary encoders	509
Functional description	509
Profibus DP interface	509
SSI interface	510
Modular Motorsystem	511
Motor and encoder	511
Motor, brake and encoder	511
Motor and forced ventilation	511

Energy Efficient Geared Motors

AC Line Operated / European Union

15

Functional description

The compression springs act on the anchor disc, which is free to move in the axial direction and presses the brake disc, which is keyed to the rotor shaft, against the friction plate or the motor bearing plate. This produces the braking torque.

When a DC voltage is applied to the coil in the electromagnet housing, it generates a magnetic force that opposes the spring force and causes the anchor disc to be pulled toward the electromagnet enclosure.

This releases the brake disc and disengages the brake.

Brakes are classified into two types according to how they are used: holding brakes and working brakes.

Holding brake ES.. / ZS..

brake that in normal operation does not convert kinetic energy into frictional energy but is only used to hold a mechanism in a particular position, but which can also be used for motion braking in an emergency.

Service brake ESX.. / ZSX..

A brake that converts kinetic energy into frictional energy in normal operation, which means that it brakes mechanical motion.

When a working brake is used as a holding brake, the braking torque tolerance of up to -30 % (in new condition) must be taken into account.

Product description of type ES(X) spring-actuated brakes

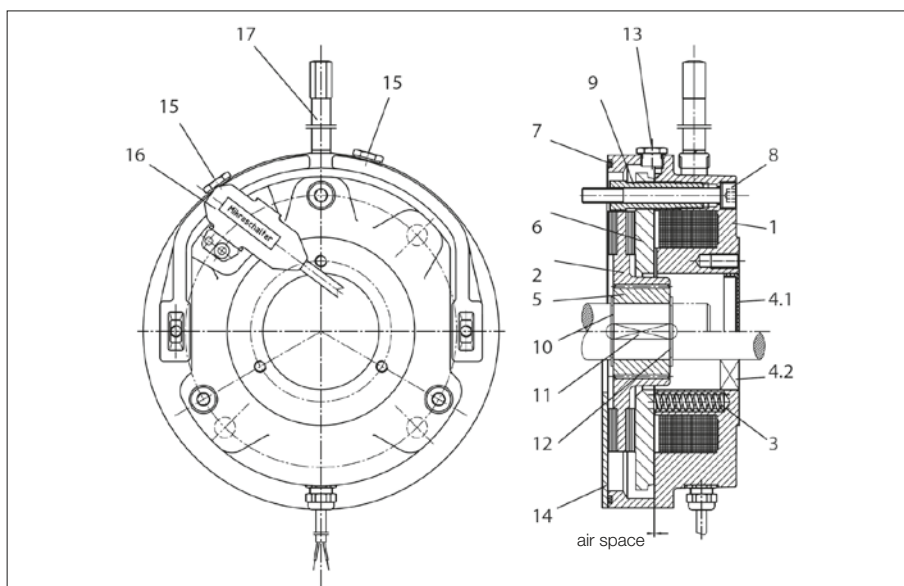


Figure 1: Construction of ES(X) brake

Construction of ES(X) brake

1	Electromagnet housing	9	Hollow screw
2	Brake disc	10	Retaining ring
3	Compression spring	11	Key
4.1	Cover plate with closed brake	12	Retaining ring
4.2	Shaft seal with through shaft	13	Screw plug for checking air gap
5	Drive bush	14	Friction plate (only with motor size Dxx08 or Dxx09)
6	Anchor disc	15	Screw plug for checking microswitch setting
7	O-ring	16	Microswitch (optional)
8	Fitting screw with copper washer	17	Manual release (optional)

Brake mounting

ES and ESX: Brake mounting is under the fan cover

EH and EHX: Brake mounting is on the fan cover

Options

- Manual release, non-locking or locking
- Microswitch for monitoring operation or wear

Motor Mounted Components

Brake

Product description of type ZS(X)
spring-actuated brakes

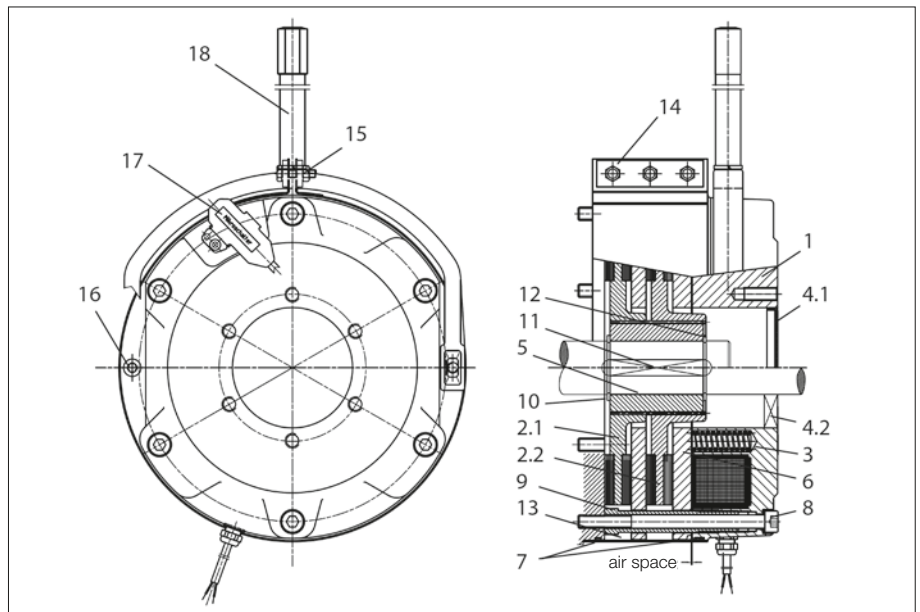


Figure 2: Construction of ZS(X) brake

Construction of ZS(X) brake

1	Electromagnet housing	9	Hollow screw
2.1	Brake disc	10	Retaining ring
2.2	Brake disc	11	Key
3	Compression spring	12	Retaining ring
4.1	Cover plate	13	Cover
4.2	Shaft seal with through shaft	14	Fitting screws
5	Drive bush	15	Bracket
6	Anchor disc	16	Assembly screw/assembly aid
7	O-ring	17	Microswitch (optional)
8	Fitting screw with copper washer	18	Manual release (optional)

Options

- Manual release, non-locking or locking
- Microswitch for monitoring operation or wear

Brake selection and sizing

If the working brake is undersized, it will have increased wear and a shorter lifetime. If it is oversized, the resulting mechanical forces may overload the drive.

If specific application data is not available, in the case of horizontally driven equipment we recommend selecting a braking torque with a safety factor (K) of 1 to 1.5 times the rated torque of the motor.

For braking to standstill, the selected braking torque should be at least 80 % of the rated torque of the drive.

Rated torque:

$$M_{\text{Berf}} = \frac{P \times 9550}{n_2} \times K$$

M_{Berf}	Braking torque	[Nm]
P	Motor power	[kW]
n	Rated speed at rotor shaft	[rpm]

For lifting operation, a braking torque equal to twice the rated motor torque should always be chosen for safety reasons.

If the moment of inertia, speed and allowable deceleration time of the machine are known, the braking torque can be calculated as described below.

External moments of inertia

If the masses to be decelerated by the brake do not run at the same speed as the rotor shaft, the moment of inertia (J_{ext}) must be reduced to the value at the rotor shaft

$$J_{\text{ext}'} = \frac{J_{\text{ext}1} \times n_1^2 + J_{\text{ext}2} \times n_2^2 + \dots + J_{\text{ext}n} \times n_n^2}{i^2}$$

or the external moment of inertia reduced by the gear ratio of the gear unit to the value at the rotor shaft.

$$J_{\text{ext}'} = \frac{J_{\text{ext}}}{i^2}$$

J_{ext}	Total external moment of inertia [kgm ²]
$J_{\text{ext}'}$	Total external moment of inertia referenced to the rotor shaft [kgm ²]
$J_{\text{ext}1,2,\dots}$	Individual external moments of inertia [kgm ²]
i	Gear reduction ratio
n	Rotor shaft speed
$n_{1,2,\dots}$	Speeds of the individual moments of inertia [rpm]

Load torque under static load

$$M_L = F \times r$$

M_L	Load torque [Nm]
F	Force [N]
r	radius [m]

Braking torque with dynamic load

A purely dynamic load is present when flywheels, rolls, etc. must be decelerated and the static load torque is negligible.

$$M_a = \frac{J_{ges} \times n_a}{9,55 \times (t_a - t_A)} = \frac{(J_{ext} + J_{rot} + J_{Br}) \times n_a}{9,55 \times (t_a - t_A)}$$

J_{br}	Moment of inertia of the brake [kgm ²]
J_{rot}	Moment of inertia of the rotor shaft and rotor [kgm ²]
M_a	Deceleration torque [Nm]
n_a	Initial speed at start of deceleration [rpm]
t_a	Total deceleration time (from switch-off until drive is stationary) [s]
t_A	The response time of the brake for braking corresponds to t_{AC} or t_{DC} in the specification tables [s]

Dynamic and static loads

In most application situations, both static and dynamic loads are present.

$$M_{Berf} = (M_a \pm M_L) \times K \quad \text{where} \quad M_{Berf} \leq M_{Br} \quad \text{must hold true.}$$

M_L braking (positive) or driving (negative) load torque [Nm]

Heat generated by each brake cycle

Friction converts the kinetic energy of the moving masses into heat.

This amounts to

$$W = \frac{J_{ges} \times n^2}{182,5} = \frac{(J_{ext} + J_{rot} + J_{Br}) \times n_a^2}{182,5} \quad \text{where} \quad W \leq W_{max} \quad \text{must hold true.}$$

W	Braking energy for each brake cycle [J]
M_{max}	Maximum permissible frictional energy per brake cycle (see brake tables)

Thermally allowable braking energy of working brakes

With a uniform sequence of brake cycles, which means a certain average number of brake cycles per hour, the temperature rises until an equilibrium between heat input and heat dissipation is reached. The temperature rise must be sized to avoid overheating the coil and the friction layer, taking the ambient temperature into account.

Braking to standstill:

$$W_z = W \times Z \leq W_{th}$$

W_{th} Maximum allowable braking energy per hour

W_z Braking energy with Z brake cycles

Z Number of brake cycles per hour

Lifting operation

In lowering operation, the drive motor acts as a generator and its braking effect results in a steady downward motion (constant speed). If we ignore transmission losses, under full load the drive must brake the load with the rated motor torque. If a mechanical brake with a braking torque equal to the braking torque of the motor is applied after the drive is switched off, the downward motion will continue at the same speed. This means that additional braking torque is necessary to stop the motion of the load. For example, if the brake is dimensioned for 200 % braking torque, approximately 100 % is used for "static" deceleration and the rest is used for "dynamic" deceleration.

If part of the braking torque is required for braking the load during lowering (downward motion), the brake engagement time is greater, and the thermal load is therefore greater.

In this case

$$W_H = \frac{M_{Br}}{M_{Br} - M_L} \times W_z$$

W_H Friction energy per hour in lifting operation

M_{Br} Braking torque of the brake

Brake lifetime

The energy absorbed during braking causes the brake disc to wear, which increases the air gap. If the air gap increases beyond a certain maximum gap size, the magnetic field is so weak that the pulling force of the electromagnet is no longer sufficient to release the brake. A proper air gap must be restored by adjusting the air gap or by replacing the brake disc, depending on the type of brake construction.

The maximum number of brake cycles until service is necessary can be calculated as follows:

$$Z_L = \frac{W_L}{W}$$

Z_L Number of brake cycles until the air gap limit is reached

W_L Maximum allowable braking energy until maintenance; i.e. replacing the brake disc or adjusting the air gap. Adjustment of the air gap is possible only with type ZXSxx brakes.

Deceleration time

The pure braking time from the start of mechanical braking to standstill depends on the braking deceleration.

Especially with lifting operation, but also in other types of operation, it is necessary to check whether the load torque reinforces the braking effect or counters the braking effect.

The deceleration time is therefore calculated as follows:

$$t_a = \frac{J_{ges} \times n_a}{9,55 \times (M_{Br} \pm M_L)}$$

Electrical connection

General

There are two basic options for providing the supply voltage for the DC electromagnet:

1. Externally from an existing DC control voltage mains or a rectifier in the cabinet.
2. From a rectifier built into the motor or brake terminal box. In this case, the rectifier can be powered either directly from the motor terminal board or from the mains.

Note that in the following cases the rectifier is not allowed to be connected to the terminal board of the motor:

- Pole-changing motors and motors with wide operating voltage range
- Operation from a frequency converter
- Other configurations in which the motor voltage is not constant, such as operation with soft-start devices, start-up transformers, etc.

Release

When the rated voltage is applied to the electromagnet coil, the current through the coils increases exponentially and with it the generated magnetic field. The current must rise to a certain value (I_{release}) before it overcomes the spring force and starts to release the brake.

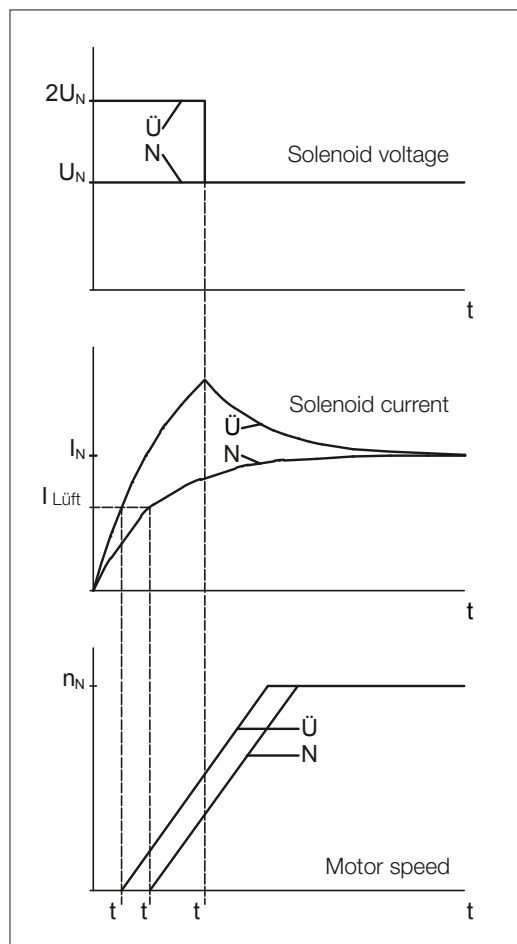


Figure 3: Idealised curves of coil voltage, coil current and motor speed with normal excitation (N) and overexcitation (Ü).

$t_{\text{Ü}}$: overexcitation time; t_{AN} , t_{AU} : Response time with normal excitation and overexcitation.

Two different situations can arise during the response time t_A , assuming that the voltage is applied to the motor and the brake simultaneously:

- The motor is locked if $M_A < M_L + M_{Br}$
The motor draws its locked-rotor current, which increases the thermal load on the motor. This situation is illustrated in Figure 3.
- The brake slips if $M_A > M_L + M_{Br}$
In this case, the brake is also thermally stressed during start-up and wears faster.

M_A : locked rotor torque of the motor; M_L : load torque; M_{Br} : braking torque

As can be seen, there is an additional load on the motor and brake in both cases. The effect of the response time increases with increasing brake size. Consequently, it is advisable to reduce the response time, especially with medium-sized and large brakes and with a high cycle rate. This can be achieved relatively easily by means of electrical overexcitation. With this approach, the coil is briefly operated at twice its rated voltage after switch-on.

This causes the current to rise faster than with normal excitation, and it reduces the response time by approximately 50 %. This overexcitation function is built into the type MSG special rectifier.

The release current increases with increasing air gap, and with it the response time. When the release current exceeds the rated coil current, the brake will not be released with normal excitation and the brake has reached its wear limit.

Braking

The brake does not start generating braking torque immediately after the coil voltage is switched off. First the magnetic energy must decline to the point that the spring force can overcome the magnetic force. This occurs at the holding current I_{hold} , which is lower than the release current.

The response time depends on how the voltage is switched off.

Switching off the AC supply voltage to a type SG standard rectifier

- a) Rectifier powered from the motor terminal board (Figure 4, curve 1)
Response time t_{A1} : very long

Cause: Due to the residual magnetism of the motor, after the motor voltage is switched off a slowly decaying voltage is induced, and it continues to supply power to the rectifier and thereby to the brake. In addition, the magnetic energy of the brake coil is dissipated relatively slowly in the freewheel circuit of the rectifier.

- b) Rectifier powered separately (Figure 4, curve 2)
Response time t_{A2} : long

Cause: After the rectifier voltage is switched off, the magnetic energy of the brake coil is dissipated relatively slowly in the freewheel circuit of the rectifier.

If the supply voltage is interrupted on the AC side, no significant switch-off voltage occurs on the electromagnet coil.

Interrupting the DC circuit of the electromagnet coil (Figure 4, curve 3)

a) By a mechanical switch

- with separate power supply from a DC control voltage mains or
- at the DC switch contacts (A2 and A3) of the type SG standard rectifier

Response time t_{A3} : very short

Cause: The magnetic energy of the brake coil is dissipated very quickly by arcing across the switch contacts.

b) Electronic

Using a type ESG or MSG special rectifier

Response time t_{A3} : short

Cause: The magnetic energy of the brake coil is dissipated quickly by a varistor integrated in the rectifier.

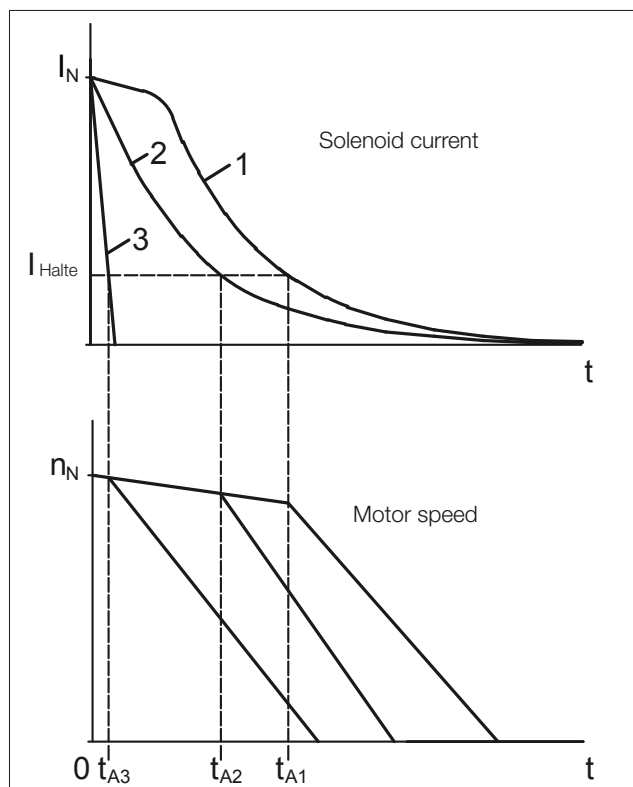


Figure 3: Idealised coil current and motor speed curves after switching off power on the AC side (1 and 2) or DC side (3)

If the circuit is interrupted on the DC side, a high voltage u_q is induced by the electromagnet coil. The magnitude of this voltage depends on the inductance L of the coil and the switch-off speed di/dt according to the formula

$$u_q = L \cdot \frac{di}{dt}$$

Due to the winding design, the inductance L increases with increasing rated coil voltage. Consequently, the voltage spikes induced at switch-off can reach hazardous levels with relatively high coil voltages. For this reason, a varistor is included in the circuit for all brakes with voltages greater than 24 V.

This varistor is solely intended to protect the electromagnet coil; it is not intended to protect adjacent electronic components or devices against electromagnetic interference. On request, brakes with rated voltages of 24 V or less can also be fitted with a varistor.

If the circuit is interrupted on the DC side by a mechanical switch, the resulting arcing over the switch contacts causes strong erosion of the contacts. For this reason, only special DC contactors or adapted AC contactors with contacts rated for use class AC3 as specified in EN 60947-4-1 may be used.

Specifications of holding brakes with emergency stop capability

The maximum allowable friction energy values stated here do not apply to brake motors for use in areas with potentially explosive atmospheres.

Refer to separate data in appropriate documents for explosion-proof drives.

Type	M _{Br} [Nm]	W _{max} [10 ³ J]	W _{th} [10 ³ J]	W _L [10 ⁶ J]	t _A [ms]	t _{AC} [ms]	t _{DC} [ms]	P _{el} [W]	J [10 ⁻³ kgm ²]
E003B9	3	1.5	-	-	35	150	15	20	0.01
E003B7	2.2	1.8	-	-	28	210	20		
E003B4	1.5	2.1	-	-	21	275	30		
E004B9	5	2.5	-	-	37	125	15	30	0.017
E004B8	4	3	-	-	30	160	18		
E004B6	2.8	3.6	-	-	23	230	26		
E004B4	2	4.1	-	-	18	290	37		
E004B2	1.4	4.8	-	-	15	340	47		
ES/EH010AX	15*	3	-	-	110	-	30	35	0.045
ES/EH010A9	10	3	-	-	60	100	15		
ES/EH010A8	8	3	-	-	55	150	20		
ES/EH010A5	5	3	-	-	45	220	20		
ES/EH010A4	4	3	-	-	30	250	20		
ES/EH010A2	2.5	3	-	-	25	350	25		
ES027AX	32*	2.5	-	-	80	-	30	50	0.172
ES/EH027A9	27	2.5	-	-	120	100	15		
ES/EH027A7	20	2.5	-	-	100	130	20		
ES/EH027A6	16	2.5	-	-	80	170	25		
ES/EH040A9	40	3.5	-	-	100	100	20	65	0.45
ES/EH040A8	34	3.5	-	-	80	200	25		
ES/EH040A7	27	3.5	-	-	70	250	30		
ES/EH070AX	90*	3.5	-	-	120	-	40	85	0.86
ES/EH070A9	70	3.5	-	-	120	150	18		
ES/EH070A8	63	3.5	-	-	120	200	20		
ES/EH070A7	50	3.5	-	-	90	220	25		
ES/EH125A9	125	4.5	-	-	170	220	25	105	1.22
ES/EH125A8	105	4.5	-	-	150	320	28		
ES/EH125A7	85	4.5	-	-	135	350	30		
ES/EH125A6	70	4.5	-	-	120	440	35		
ES125A5	57	4.5	-	-	100	600	40		
ES125A3	42	4.5	-	-	90	700	45		
ES/EH200A9**	200	8	-	-	400	150	22	105	2.85
ES/EH200A8**	150	8	-	-	280	250	35		
ES/EH200A7**	140	8	-	-	200	320	35		
ES250A9**	250	9	-	-	300	500	45	135	6.65
ES250A8**	200	9	-	-	200	960	60		
ES250A6**	150	9	-	-	160	1100	60		
ES250A5**	125	9	-	-	150	1500	90		
ES250A4**	105	9	-	-	130	1800	110		
ZS300A9**	300	8	-	-	280	220	35	75	5.7
ZS300A8**	250	8	-	-	210	380	45		
EH400A9**	400	10	-	-	300	600	60	180	19.5
EH400A7**	300	10	-	-	200	850	75		
EH400A5**	200	10	-	-	150	1400	85		
ZS500A9**	500	9	-	-	320	320	50	100	13.3
ZS500A8**	400	9	-	-	260	600	60		

* Requires overexcitation; permissible only with MSG rectifier

** Cannot be combined with PMSM motors of the S series

Braking torque tolerance: -10 / +30 %

W_{th} and W_L are not specified because little or no braking energy is dissipated by holding brakes when they are used as intended.

For versions with braking torque marked with *, which may only be used with an MSG rectifier, the values of t_A and t_{DC} apply to operation with an MSG rectifier; i.e. t_A for overexcitation or t_{DC} for electronic circuit interruption on the DC side.

Due to the effects of operating temperature and manufacturing tolerances, actual response times may differ from the guideline values listed here.

Motor Mounted Components

Brake

Specifications of working brakes

The maximum braking energy values stated here do not apply to brake motors for use in areas with potentially explosive atmospheres.

Refer to separate data in appropriate documents for explosion-proof drives.

Type	M _{Br} [Nm]	W _{max} [10 ³ J]	W _{th} [10 ³ J]	W _L [10 ⁶ J]		t _A [ms]	t _{AC} [ms]	t _{DC} [ms]	P _{el} [W]	J [10 ⁻³ kgm ²]
				without HL***	with HL***					
E003B9	3	1.5	36	55	55	35	150	15	20	0.01
E003B7	2.2	1.8	36	90	90	28	210	20		
E003B4	1.5	2.1	36	140	140	21	275	30		
E004B9	5	2.5	60	50	50	37	125	15	30	0.017
E004B8	4	3	60	100	100	30	160	18		
E004B6	2.8	3.6	60	180	180	23	230	26		
E004B4	2	4.1	60	235	235	18	290	37		
E004B2	1.4	4.8	60	310	310	15	340	47		
ESX/EHX010AX	15*	3	250	120	120	110	-	30	35	0.045
ESX/EHX010A9	10	3	250	120	120	60	100	15		
ESX/EHX010A8	8	3	250	150	150	55	150	20		
ESX/EHX010A5	5	3	250	240	240	45	220	20		
ESX/EHX010A4	4	3	250	300	240	30	250	20		
ESX/EHX010A2	2.5	3	250	390	240	25	350	25		
ESX027AX	27*	10	350	150	150	80	-	30	50	0.172
ESX/EHX027A9	22	10	350	150	150	120	100	15		
ESX/EHX027A7	16	10	350	300	300	100	130	20		
ESX/EHX027A6	13	10	350	350	350	80	170	25		
ESX/EHX040A9	32	20	450	420	420	100	100	20	65	0.45
ESX/EHX040A8	27	20	450	560	490	80	200	25		
ESX/EHX040A7	22	20	450	700	490	70	250	30		
ESX/EHX070AX	72*	28	550	700	700	120	-	40	85	0.86
ESX/EHX070A9	58	28	550	500	500	120	150	18		
ESX/EHX070A8	50	28	550	800	700	120	200	20		
ESX/EHX070A7	40	28	550	1200	700	90	220	25		
ESX/EHX125AX	100*	40	700	1900	1900	100	-	70	105	1.22
ESX/EHX125A9	85	40	700	1700	1700	150	320	28		
ESX/EHX125A8	70	40	700	1900	1700	135	350	30		
ESX/EHX125A7	58	40	700	2700	1700	120	440	35		
ESX125A5	45	40	700	3300	1700	100	600	40		
ESX125A3	34	40	700	3300	1700	90	700	45		
ESX/EHX200AX**	160*	60	850	2000	2000	105	-	70	105	2.85
ESX/EHX200A9**	120	60	850	1700	1700	280	250	35		
ESX/EHX200A8**	110	60	850	2600	2600	200	320	35		
ESX250A9**	200	84	1000	2800	2800	300	500	45	135	6.65
ESX250A8**	160	84	1000	6800	5700	200	960	60		
ESX250A6**	120	84	1000	8500	5700	160	1100	60		
ESX250A5**	100	84	1000	11000	5700	150	1500	90		
ESX250A4**	85	84	1000	11000	5700	130	1800	110		
ZSX300A9**	250	60	850	1300	1300	280	220	35	75	5.7
ZSX300A8**	200	60	850	2000	2000	210	380	45		
EHX400A9**	320	120	1100	3000	3000	300	600	60	180	19.5
EHX400A7**	240	120	1100	4800	4800	200	850	75		
EHX400A5**	160	120	1100	6000	4800	150	1400	85		
ZSX500A9**	400	84	1000	2800	2800	320	320	50	100	13.3
ZSX500A8**	320	84	1000	4000	4000	260	600	60		

* Requires overexcitation; permissible only with MSG rectifier

** Cannot be combined with PMSM motors of the S series

*** HL = manual release

Braking torque tolerance:

E003 / E004: -10 / +30 %

ESXxx / ZSXxx: -20 / +30 % after run-in; up to -30 % in new condition.

For versions with braking torque marked with *, which may only be used with an MSG rectifier, the values of t_A and t_{DC} apply for operation with an MSG rectifier; i.e. t_A for overexcitation or t_{DC} for electronic circuit interruption on the DC side.

The values for W_L are guidelines; actual values may vary significantly depending on the application situation. Periodic inspection of the air gap or brake disc thickness is recommended.

Actual response times may differ from the times listed here due to the effects of operating temperature, brake disc wear and manufacturing tolerances.

Key to symbols

M_{Br}	Rated braking torque
W_{max}	Maximum allowable friction energy for an emergency stop with a holding brake
W_{max}	Maximum allowable friction energy for each brake cycle with working brakes
W_{th}	Maximum allowable braking energy per hour
W_L	Maximum allowable braking energy until maintenance; i.e. brake disc replacement or air gap adjustment. Air gap adjustment is possible only with type ZSxxx brakes.
HL	Manual release
t_A	Response time for release with normal excitation. Overexcitation with a type MSG special rectifier reduces the response time by approximately 50 %.
t_{AC}	Response time for brakes with AC-side switch-off, i.e. by switching off the supply voltage to a separately powered standard rectifier. If the supply voltage for the rectifier is taken from the motor terminals, considerably longer response times should be expected (depending on the motor size and winding design).
t_{DC}	Response time for braking with DC-side circuit interruption by a mechanical switch. In the case of electronic circuit interruption on the DC side by a type ESG or MSG special rectifier, the response times will be approximately two to three times as long.
P_{el}	Electromagnet coil power consumption at 20 °C. Depending on the rated voltage of the coil, the actual power may differ from the guideline value stated here.
J	Moment of inertia of the drive bush and brake disc(s)

Motor Mounted Components

Brake

Connection

The electrical connections to the brake are made in the motor terminal box using terminals or the rectifier. Standard voltages:

380–420 V 50/60 Hz (brake coil voltage 180 V DC)

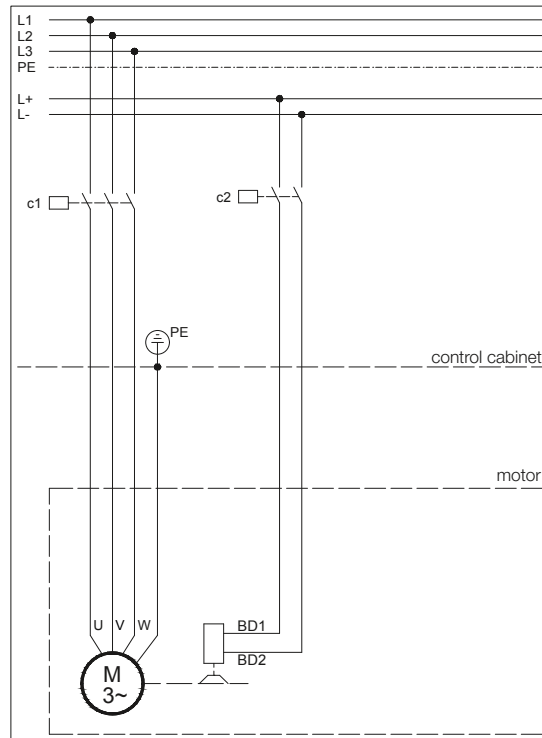
220–230 V 50/60 Hz (brake coil voltage 105 V DC)

24 V DC (brake coil voltage 24 V DC)

Other voltages are available at additional cost.

DC connection via terminals (K)

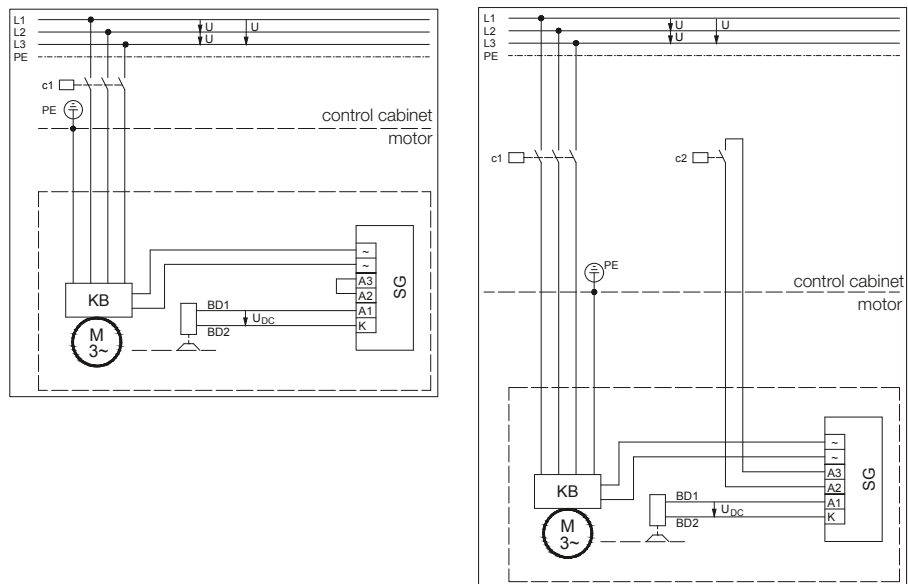
The brake must be connected via separate terminals in the motor or brake terminal box directly to the DC voltage. The standard voltages are 180 V DC, 105 V DC and 24 V DC. Brakes with other operating voltages are available at additional cost.



Standard rectifier (S)

Working principle	Half-wave rectifier with switch contacts for DC-side circuit interruption
Input voltage U_1	max. 575 VAC +5 %
Output voltage	$0.45 \times U_1$ VDC
Max. output current	2.5 A DC
Ambient temperature	-40 to +40 °C
Connection	Caged Clamp terminals with clamp lever
Clampable conductor cross-section	max. 1.5 mm ² without wire end sleeve max. 1.5 mm ² with wire end sleeve
Approvals	c-CSA-us c-UL-us (only in combination with B2000 geared motors and brakes in the ES(X) or ZS(X) product series)

The brake must be connected to the AC supply via the standard rectifier in the motor terminal box or brake terminal box. The standard voltages are 380 ... 420 V 50/60 Hz or 220 ... 230 V 50/60 Hz. Other voltages up to 575 V are available at extra cost. In a configuration with standard rectifier, the brake circuit can be interrupted by an extra contact on the d.c. side in order to reduce the response time. This significantly reduces the braking time and overtravel distance.



Voltage connection for the rectifier from the motor terminal block or cage clamp (see Rectifier Connection on Motor Terminal Block or Cage Clamp)

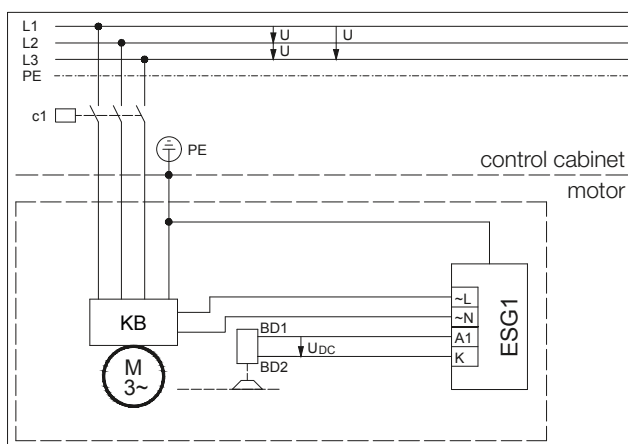
Motor Mounted Components

Brake

Rectifier for electronic rapid shutdown (E)

Working principle	Half-wave rectifier with electronic DC-side circuit interruption
Input voltage U_1	220–460 V AC $\pm 5\%$, 50/60 Hz
Output voltage	$0.45 \times U_1$ V DC
Max. output current	1 A DC
Ambient temperature	-20 °C to +40 °C
Clampable conductor cross-section	max. 1.5 mm ²

This rectifier permits electronic DC-side interruption of the brake circuit. No additional cable to the rectifier is necessary. The rectifier is supplied complete with a protective resistor which prevents a mains short-circuit via the shutdown arc of the high-speed motor contactor. Brake response times are significantly shorter than those achievable by AC-side interruption of the brake circuit. They are, however, longer than those achievable with DC-side interruption by a mechanical switch. The brake must be connected to the alternating current via the rapid shutdown rectifier in the motor terminal box or the brake terminal box. The standard voltages are 380 ... 420 V 50/60 Hz or 220 ... 230 V 50/60 Hz. Other voltages up to 460 V are available at extra cost.

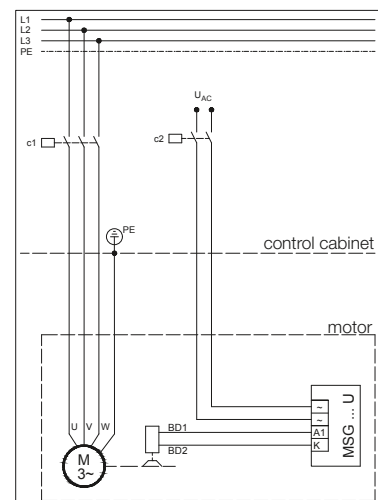
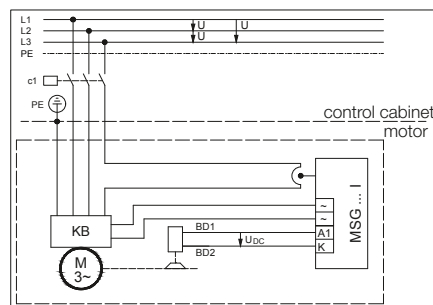


Voltage connection for the rectifier from the motor terminal block or cage clamp (see Rectifier Connection on Motor Terminal Block or Cage Clamp)

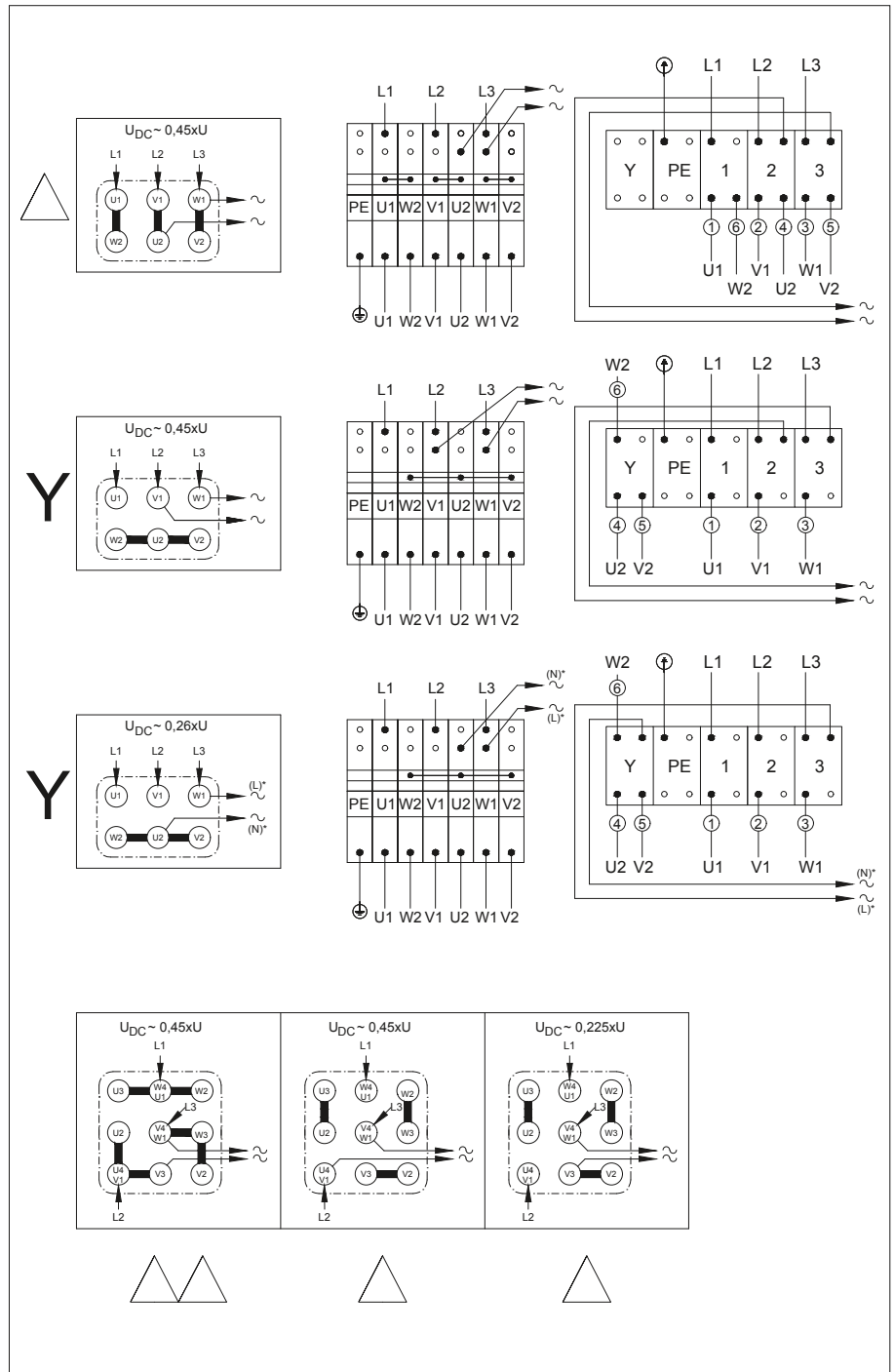
Rectifier for overexcitation and rapid shutdown (M)

Working principle	MSG 1.5.480I Half-wave rectifier with time-limited overexcitation and electronic DC-side circuit interruption Fast shutdown due to no motor current in one phase
Input voltage U_1	220–480 V AC +6 / -10 %, 50/60 Hz
Output voltage	0.9 x U_1 V DC during overexcitation 0.45 x U_1 V DC over overexcitation period
Overexcitation time	0.3 s
Max. output current	1.5 A DC
Ambient temperature	-20 °C to +40 °C
Clampable	
conductor cross-section	max. 1.5 mm ²
Working principle	MSG 1.5.500U Half-wave rectifier with time-limited overexcitation and electronic DC-side circuit interruption Fast shutdown due to the absence of input voltage
Input voltage U_1	220–500 V AC ±10 %, 50/60 Hz
Output voltage	0.9 x U_1 V DC during overexcitation 0.45 x U_1 V DC over overexcitation period
Overexcitation time	0.3 s
Max. output current	1.5 A DC
Ambient temperature	-20 °C to +40 °C
Clampable	
conductor cross-section	max. 1.5 mm ²

In cases where there are high motor switching frequencies, the brake can be de-energised more rapidly with this rectifier thereby significantly reducing the thermal stress on the motor. In addition, interrupting the brake's DC circuit by electronic means significantly reduces response times. Depending on the circumstances in which they are to be used, either the MSG 1.5.500 U (rapid shutdown brought about by removed supply voltage) or MSG 1.5.480 I (rapid shutdown brought about by removed motor current in a phase) is used. Power supply 220 to 480 V AC.



Rectifier Connection on Motor Terminal Block or Cage Clamp



Brake connection, operation with frequency converter	The voltage present at the motor terminal block when operating with a frequency converter is frequency-dependent. Brakes require a constant voltage, so they need a separate electrical connection. This is the reason why the brake is not connected to the motor terminals ex-works.
Brake connection, pole-changing motors	The brakes of pole-changing motors need a separate electrical connection. As is the case with motors for operation with frequency inverters, the brake is not connected to the motor terminals ex-works.
Manual release (HA, HN)	All brakes are available with mechanical manual release on request. Non-latching manual release is the standard version (HN). A latching manual release (HA) can be supplied if required for all brake sizes.
Explosion protection	Brakes for use in hazardous areas are subject to special regulations. Please consult our support specialists in these special cases.
Back stop (RR, RL)	<p>Motors of size D..08 to D..22 are available with backstop. The locking rotational direction clockwise (RR) or anticlockwise (RL) is to given in the order. The reference is the connection side of the gearbox. Should the connection side not be clearly defined, gearbox side "V" (front) will be assumed (see chapter 16 Dimensions drawing "Motor with back stop").</p> <p>Note that the back-stop functionality on a motor operating with a frequency converter is guaranteed only at rotor speeds above 740/min.</p> <p>It is advisable to consult BAUER for applications in corrosive atmospheres, especially for motor-down installed positions.</p>

Motor Mounted Components

Brake

Second motor shaft extension (ZW, ZV)

The motors are also available on request with a second motor shaft extension in design ZW (shaft with key) or ZV (shaft with square end).

Half the central motor's rated power is available at each of the two shafts. Permissible radial loads available on request. Guards are not included in the scope of supply (for dimensional drawing see chapter 16).

Motors with brakes are available on request with a second shaft stub extended through the brake.

Protective fan cowl (D)

A protective hood over the fan cowl is recommended for outdoor installations where the motor is pointing upward and subject to severe or prolonged exposure to water (dimensional drawing, see chapter 16).

This protective hood is mandatory for upright explosion-proof motors.

A special fan cowl for the textiles industry is available on request at extra cost. This design prevents airborne fibres and fluff clogging the fan cowl.

Motor-independent fan (FV)

For special applications, standard motors and brake motors of size D..08.. and larger are available with externally mounted motor-independent fans. The standard line voltage of the motor-independent fan matches the voltage of the geared motor (dimensional drawing for motor-independent fan, see chapter 16).

The independent fans are supplied as standard with Bayonet-fitting for standard motors sizes D..16.. and D..18.. and brake motors sizes D..11.. to D..18.. .

Technical Data:

Multivolt Conception Running capacitor for single phase duty enclosed as standard.

Technical Data Motor-independent fan

Mode	Frame size	Blower Diameter [mm]	Range of voltage		max. permissible current		max. power input	
			[V]		[A]		[W]	
			50 Hz	60 Hz	50 Hz	60 Hz	50 Hz	60 Hz
1 ~ Δ (Δ)	63	118	230-277	230-277	0.18	0.21	46	54
	71	132	230-277	230-277	0.18	0.21	48	56
	80	150	230-277	230-277	0.19	0.22	48	59
	90	169	220-277	220-277	0.29	0.23	59	61
	100	187	220-277	220-277	0.29	0.28	62	73
	112	210	220-277	220-277	0.27	0.36	64	88
	132	250	230-277	230-277	0.52	0.61	125	163
	160-200	300	230-277	230-277	1.05	1.52	246	390
3 ~ Y	63	118	346-525	380-575	0.09	0.08	28	29
	71	132	346-525	380-575	0.09	0.07	29	28
	80	150	346-525	380-575	0.09	0.07	33	36
	90	169	346-525	380-575	0.22	0.18	78	71
	100	187	346-525	380-575	0.21	0.18	80	80
	112	210	346-525	380-575	0.2	0.17	87	93
	132	250	346-525	380-575	0.37	0.32	160	180
	160-200	300	346-525	380-575	0.74	0.62	314	391
3 ~ Δ	63	118	200-303	220-332	0.15	0.14	28	29
	71	132	200-303	220-332	0.15	0.13	29	28
	80	150	200-303	220-332	0.16	0.13	33	36
	90	169	200-303	220-332	0.39	0.32	78	71
	100	187	200-303	220-332	0.37	0.3	80	80
	112	210	200-303	220-332	0.35	0.29	87	93
	132	250	200-303	220-332	0.64	0.55	160	180
	160-200	300	200-303	220-332	1.28	1.08	314	391

15

Shaft encoder (G)

Bauer gear motors can be fitted with either an incremental encoder or an absolute encoder for special applications. Both the standard incremental encoder and the absolute encoder are optimised and suitable for use with all modern inverters.

Bauer standard encoders as from motor frame size D..05.. (0,18 kW) are protected against mechanical damage by means of a protective cover (Additional Dimension Sheet see chapter 16).

Special features: standard incremental encoder:

- Robust mount
- EMC-tested
- Protected against polarity reversal
- Supply voltage 8-30 V DC
- A-, B- and N-lines and inverted signals or output signals as preferred
- HTL output circuit (TTL on request)
- 1024 pulses per revolution

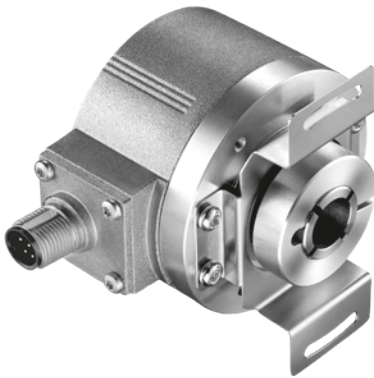
Special features: standard absolute encoder

- Steps per revolution: 8192 (13 Bit)
- Number of turns: 4096 (12 Bit) shaft turns
- Execution of electronic: SSI (Synchronous-Serial Interface)
- Output code: Gray-Code
- Supply voltage: 11-27 V DC
- Loss efficiency (no load): ≤ 3 Watt
- Output driver: RS-422 (2-wire)

Motor Mounted Components

Incremental rotary encoder

Functional description



Incremental encoders are used to determine motor shaft positions. An incremental encoder detects rotary motion and converts it into an electrical output signal. An encoder disc with a specific number of periods per rotation senses angular motion. The optoelectronic scanning unit generates signals and issues pulses after the signals have been processed in trigger stages. The resolution is defined by the number of opaque and clear segments on the encoder disc. For example, an encoder with 1024 lines will generate a sequence of 1024 pulses for one full rotation.

The combination of an incremental encoder and a frequency converter allows optimised solutions to be developed, such as

- speed controllers with a wide adjustment range
- accurate speed control
- constant-speed control
- position control

Supply voltage:	8–30 V DC with HTL 5 V DC with differential TTL
Output signals:	HTL A, B and N tracks; optional TTL
Pulses per revolution:	1024 Optional 1...65536
Enclosure rating:	IP65 (optional IP67)
Temperature range:	-40 °C to +100 °C

Electrical specifications

Output voltage	RS 422 (TTL compatible)	RS 422 (TTL compatible)	Differential	Differential (7272)
Supply voltage	5–30 V DC	5 V ±5%	8–30 V DC	5–30 V DC
No-load current consumption With inversion:	max. 70 mA	max. 70 mA	max. 70 mA	max. 70 mA
Allowable load per channel: Pulse rate:	max. ±20 mA max. 300 kHz	max. ±20 mA max. 300 kHz	max. ±20 mA max. 160 kHz	max. ±20 mA max. 160 kHz
High signal level:	min. 2.5 V	min. 2.5 V	min. UB – 3 V	min. UB – 3 V
Low signal level:	max. 0.5 V	max. 0.5 V	max. 1 V	max. 1 V

Plug end view with male pin insert

Connector type	8-pin M12 plug	12-pin M23 plug	MIL connector 10-pin
Layout			
Order code:	8.5000.XXX3.XXXX 8.5000.XXX4.XXXX	8.5000.XXX7.XXXX 8.5000.XXX8.XXXX	8.5000XXX.YXXXX
Mating 05.CMB-8181-0 connector:		8.0000.5012.0000	8.0000.5062.0000

Signal assignments

Signal:	0 V GND	+U _B	0 V Sens	+U _B Sens	A	A	B	B	Z	Z	Shield
M23 Multifast, 12-pin connector; pin assignments:	10	12	11	2	5	6	8	1	3	4	1)
M12 Eurofast, 8-pin connector; pin assignments:	1	2			3	4	5	6	7	8	1)
Military version; 10-pin connector; pin assignments:	F	D		E	A	G	B	H	C	I	J ¹⁾
Cable; lead colour:	WH	BN	GY PK	RD BU	GN	YE	GY	PK	BU	RD	Shield

¹ Shield connected to plug housing.

Insulate unused outputs before putting into service.

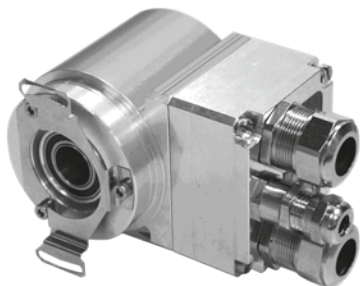
Motor Mounted Components

Absolute rotary encoders

Functional description

Absolute encoders detect both angular and rotational motions and convert them into electrical signals. In contrast to incremental encoders, with absolute encoders the current position is directly available. If an absolute encoder is moved mechanically while it is switched off, after the power is switched on again the current position can be read out immediately and directly. Absolute encoders are available in single-turn and multi-turn versions.

Profibus DP interface



Specifications

Supply voltage	11–27 VDC
No-load current consumption	< 350 mA
Total resolution ¹	≤ 33 bits
Number of steps per revolution, standard/extended ¹	≤ 8,192 / ≤ 32,768
Number of turns, standard/extended ¹	≤ 4,096 / ≤ 256,000
Profibus DP V0	IEC 61158, IEC 61784
PNO encoder profile parameters ¹	Class 1/Class 2 Counting direction switchover, scaling function, etc.
Output code ¹	Binary, Gray, truncated Gray
Address	3–99, set using a rotary switch
Baud rate	9.6 kbit/s to 12 Mbit/s
TR-specific functions ¹	Gear and speed outputs
Data width on bus for actual position	≤ 25 bits
Permissible mechanical speed	≤ 12,000 rpm
Shaft load	Own mass
Bearing life	≥ 3.9 × 10 ¹⁰ revolutions at
- speed	≤ 6,000 rpm
- operating temperature	≤ 60 °C
Shaft diameter [mm]	10H7
Permissible angular acceleration	≤ 10 ⁴ rad/s ²
Moment of inertia	2.5 × 10 ⁻⁶ kg m ² (typical)
Start-up torque at 20 °C	2 Ncm (typical)
Weight	0.3–0.5 kg

¹) Configurable parameter

Ambient conditions

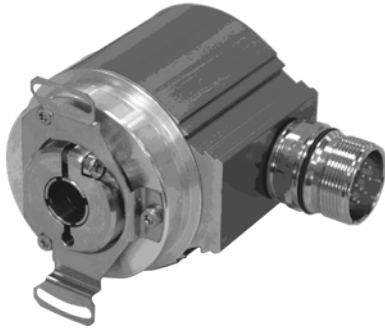
Vibration (EN 60068-2-6:1996)	≤ 100 m/s ² , sinusoidal 50–2,000 Hz
Shock (EN 60068-2-27:1995)	≤ 1000 m/s ² , half-cycle sinusoidal 11 ms
EMC	- Interference emission compliant with EN 61000-6-3:2007 - Interference immunity compliant with EN 61000-6-2:2006
Operating temperature	0 °C to +60 °C; optionally -20 °C to +70 °C
Storage temperature	-30 °C to +80 °C, dry
Relative humidity (EN 60068-3-4:2002)	98 %, non condensing
Enclosure rating (EN 60529:1991) ²	IP65

² With mating connector fitted and/or cable glands fitted and tightened

Motor Mounted Components

Absolute rotary encoders

SSI interface



Specifications

Supply voltage	11–27 V DC
No-load current consumption	< 350 mA
Total resolution ¹	≤ 25 bits
Number of steps per revolution ¹	≤ 8,192
Number of rotations, standard ¹	≤ 4,096
Number of rotations, extended ¹	≤ 256,000
SSI	Synchronous Serial Interface
Clock input	Optocoupler
Data output	RS-422, 2-wire
Clock frequency	80 kHz – 1 MHz
Monostable time t_m	$16 \mu s \leq t_m \leq 25 \mu s$ (20 μs typical)
Output code ¹	Binary, Gray, BCD
Output format ¹	Standard, Tannenbaum, SSI + CRC, 26-bit cycle, variable number of data bits
Negative values ¹	Sign and magnitude, twos complement
SSI or parallel special bits ¹	Limit switch, overspeed, direction indication, motion indication, error indication, parity
F/R ¹	Counting direction
Preset ¹	Electronic alignment
Logic levels	“0” < +2 VDC; “1” = supply voltage
Permissible mechanical speed	≤ 12,000 rpm
Shaft load	Own mass
Bearing life	≥ 3.9×10^{10} revolutions at
- speed	≤ 6,000 rpm
- operating temperature	≤ 60 °C
Shaft diameter [mm]	10H7
Permissible angular acceleration	≤ 10^4 rad/s ²
Moment of inertia	2.5×10^{-6} kg m ² (typical)
Start-up torque at 20 °C	2 Ncm (typical)
Weight	0.3–0.5 kg
Optional	- incremental signals, RS422 levels K1+, K1-, K2+, K2- with 1024 or 2048 pulses

¹⁾ Configurable parameter

Ambient conditions

Vibration (EN 60068-2-6:1996)	≤ 100 m/s ² , sinusoidal 50–2,000 Hz
Shock (EN 60068-2-27:1995)	≤ 1000 m/s ² , half-cycle sinusoidal 11 ms
EMC	
- Interference emission compliant with EN 61000-6-3:2007	
- Interference immunity compliant with EN 61000-6-2:2006	
Operating temperature	0 °C to +60 °C; optionally -20 °C to +70 °C
Storage temperature	-30 °C to +80 °C, dry
Relative humidity (EN 60068-3-4:2002)	98 %, non condensing
Enclosure rating (EN 60529:1991) ²⁾	IP65

²⁾ With mating connector fitted and/or cable glands fitted and tightened

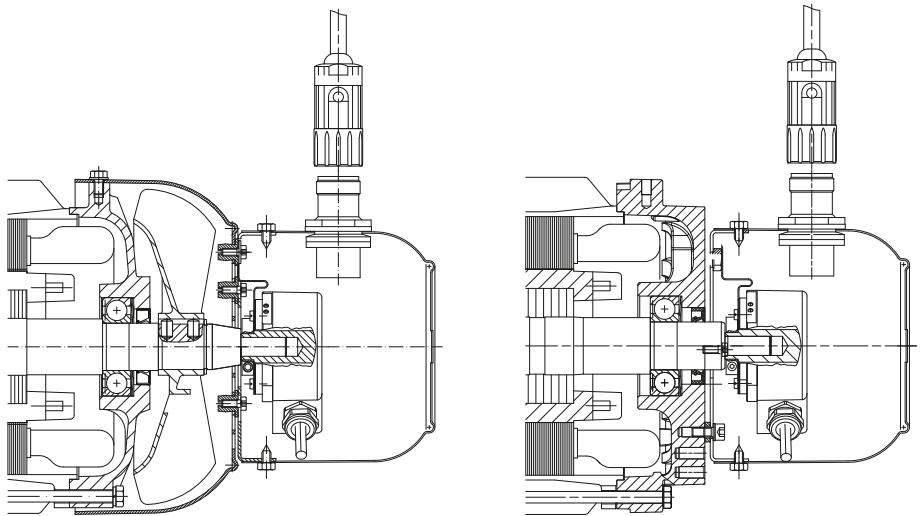
In addition to the angular position within a rotation, multiturn encoders detect multiple rotations. An internal reduction gear mechanism connected to the motor shaft is used to detect the number of turns. Consequently, the value measured by a multiturn encoder consists of the current angular position and the number of turns. As with incremental encoders, the reading is calculated and output via various interface modules, depending on the interface.

On request, a large range of motor frames can be fitted with sensor bearings. The output signal from the sensor allows the direction of rotation to be determined, among other things. The number of possible pulse counts depends on the frame size. Please enquire for more information.

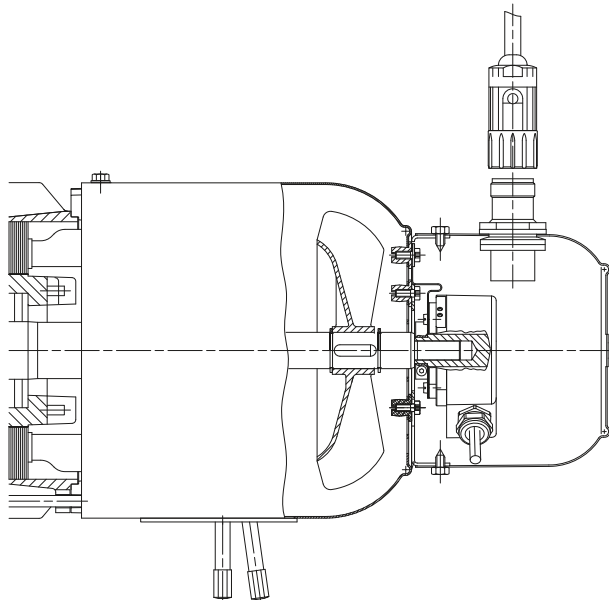
Motor Mounted Components

Modular Motorsystem

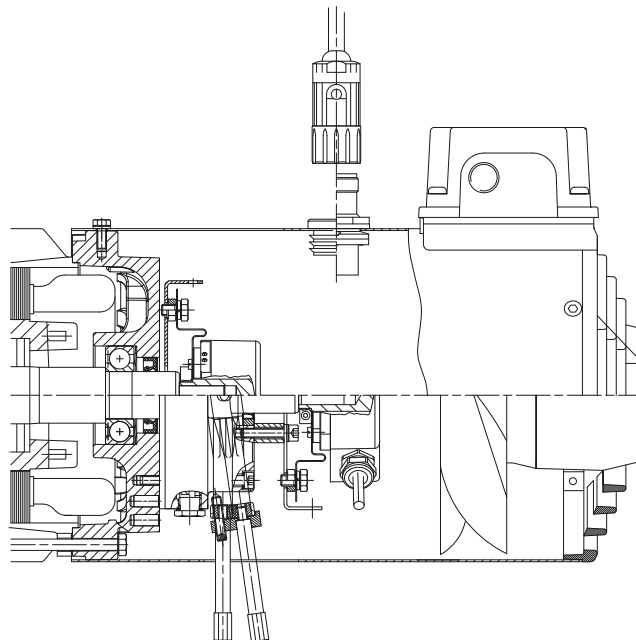
Motor and encoder



Motor, brake and encoder

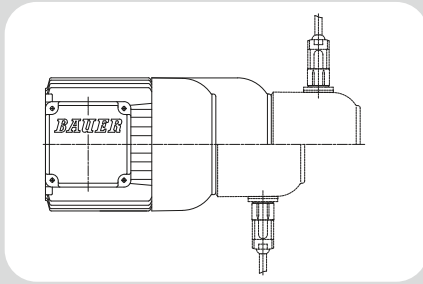


Motor and forced ventilation



Energy Efficient Geared Motors

AC Line Operated / European Union



16

Motor Mounted Components - Dimensions

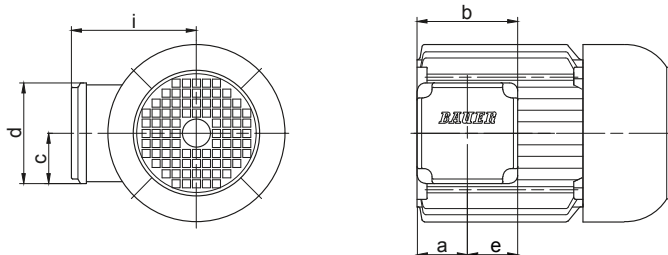
Dimensions	515
Standard terminal box	515
Terminal box screwed on.....	516
Terminal box for plug-connector	517
Motor with standard brake	518
“Heavy-Duty” - brake	519
Motor with back stop	520
Motor with second shaft end	521
Motor with brake and second shaft end	522
Motor with “heavy duty” brake and second shaft end	523
Motor with protective hood	524
Motor with independent fan	525
Motor with brake and independent fan	526
Motor with encoder with built-on independent fan	527
Motor with brake and encoder with built-on independent fan	528
Motor with encoder	529
Motor with “heavy duty” encoder	530
Motor with brake and encoder	531
Motor with “heavy duty” brake and encoder	532
Motor in IEC design	533

Energy Efficient Geared Motors

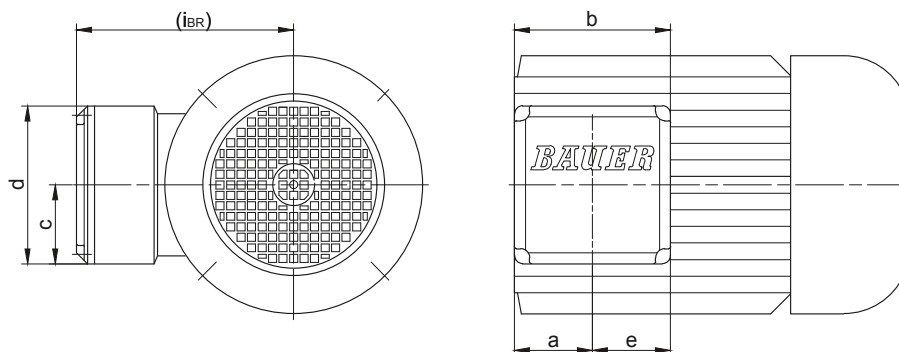
AC Line Operated / European Union

Standard terminal box

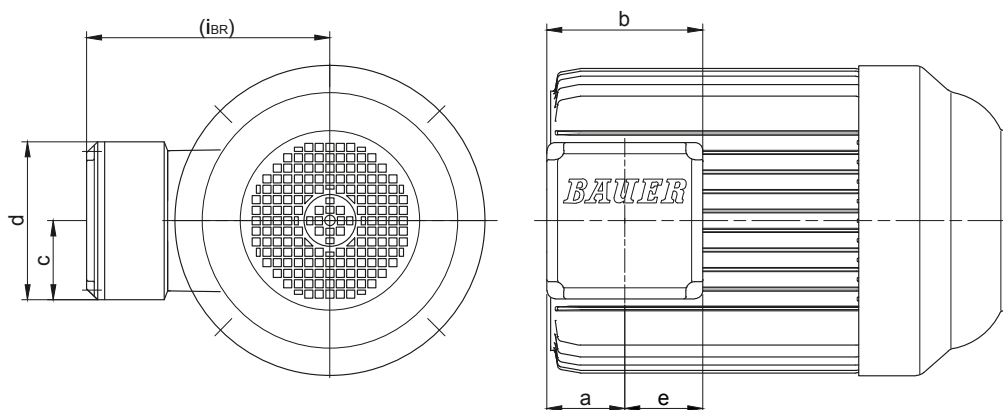
D..04.. - D..11..



D..13..



D..16..-D..22



Motor/ Motor with brake	Dimensions						Code	Cable entry		max. spanner width for cable entry gland
	a	b	c	d	e	i/i _{BR}		Major (M)	Next to (N)	
D..04..	42.5	88	44	88	44	90	KAG1	M=2xM20x1.5	-	24
D..05..	50	100	50	100	50	100	KAG2	M=2xM25x1.5	-	29
D..06..	50	100	50	100	50	100	KAG2	M=2xM25x1.5	-	29
D..07..	50	100	50	100	50	100	KAG2	M=2xM25x1.5	-	29
D..08..	50	100	50	100	50	115	KAG2	M=2xM25x1.5	-	29
D..09..	50	100	50	100	50	124	KAG2	M=2xM25x1.5	-	29
D..11..	66.5	133	66.5	133	66.5	165	KAG3	M=2xM32x1.5	-	-
D..13..	78	156	78.5	158	78	217	TB322	M=2xM40x1.5	N=2xM25x1.5	-
D..16..	74	156	78.5	158	78	243	TB322	M=2xM40x1.5	N=2xM25x1.5	-
D..18..	94	200	100.5	201	100	288	TB422	M=2xM50x1.5	N=2xM25x1.5	-
D..20L	100	200	100.5	201	100	303.5	TB422	M=2xM50x1.5	N=2xM25x1.5	-
D..22S	100	200	100.5	201	100	303.5	TB422	M=2xM50x1.5	N=2xM25x1.5	-
D..22M	100	200	100.5	201	100	303.5	TB422	M=2xM50x1.5	N=2xM25x1.5	-

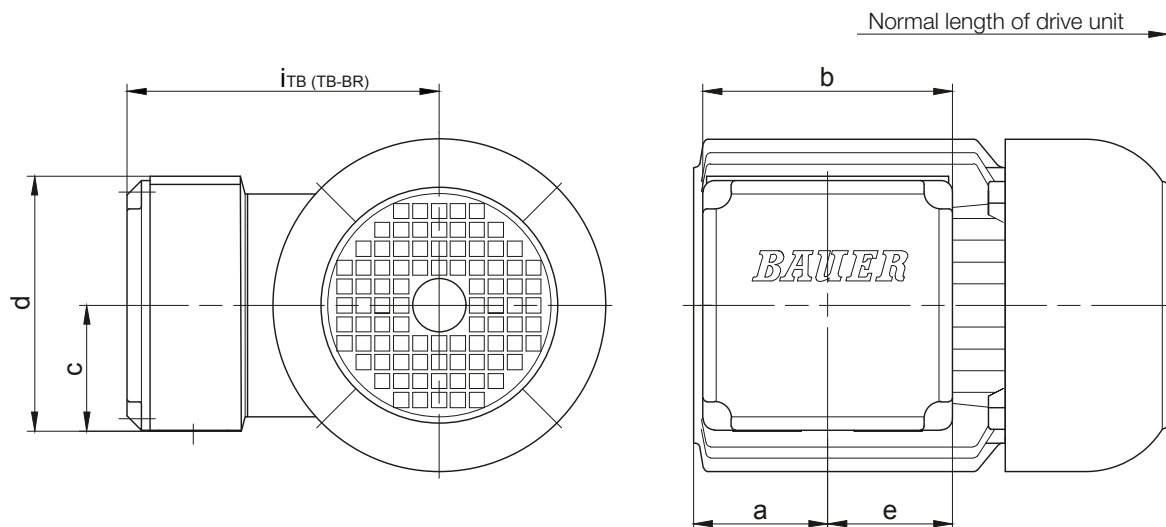
Dimensions in millimetres (mm)

The actual gearbox design can vary from the geometry shown. Generate drive specific 3D and 2D geometries under www.BauerCat.com.

Motor-mounted components

Dimensions

Terminal box screwed on



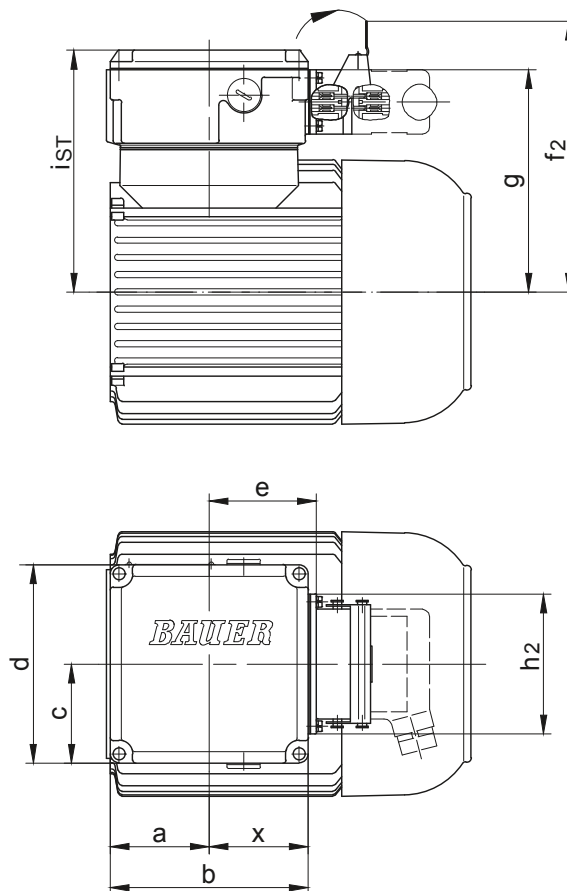
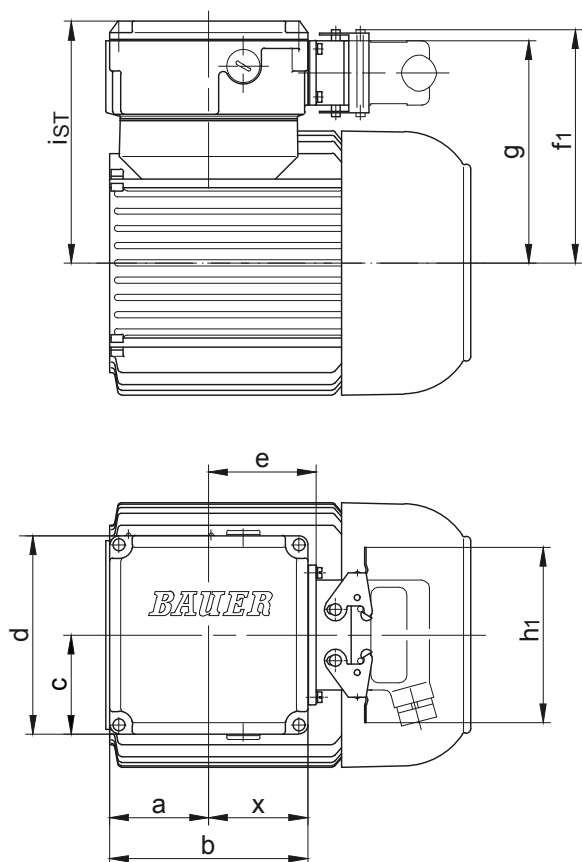
Motor	Dimensions						Code	Cableentry	
	a	b	c	d	e	$i_{TB(TB-BR)}$		Major (M)	Minor (N)
D04..	30	90	47.5	95	45	112	TB122..	M=2xM25x1.5	N=2xM20x1.5
D..05..	57	90	47.5	95	45	117	TB122..	M=2xM25x1.5	N=2xM20x1.5
D..06..	45	90	47.5	95	45	118	TB122..	M=2xM25x1.5	N=2xM20x1.5
D..07..	45	90	47.5	95	45	118	TB122..	M=2xM25x1.5	N=2xM20x1.5
D..08..	41	90	47.5	95	45	135	TB122..	M=2xM25x1.5	N=2xM20x1.5
D..09..	62	132	66	135	71.5	164	TB222..	M=2xM32x1.5	N=2xM25x1.5
D..11..	62	132	66	135	71.5	181	TB222..	M=2xM32x1.5	N=2xM25x1.5
D..13..	78	156	78	158	83.5	216	TB322..	M=2xM40x1.5	N=2xM25x1.5
D..16..	74	156	78	158	83.5	242	TB322..	M=2xM40x1.5	N=2xM25x1.5
D..18..	94	200	100	201	105.5	287	TB422..	M=2xM50x1.5	N=2xM25x1.5
Motor with Brake	Dimensions						Code	Cableentry	
	a	b	c	d	e	$i_{TB(TB-BR)}$		Major (M)	Minor (N)
D04..	30	90	47.5	95	68	131.5	TBR122..	M=2xM25x1.5	N=1xM16x1.5
from D..05..	see standard motor								
Dimensions in millimetres (mm)									

16

Terminal box for plug-connector

Standard design (two brackets)

Optional for DESINA (one bracket)



Fan cover geometry for D..16 and D..18, see dimensional drawing: terminal box as standard version

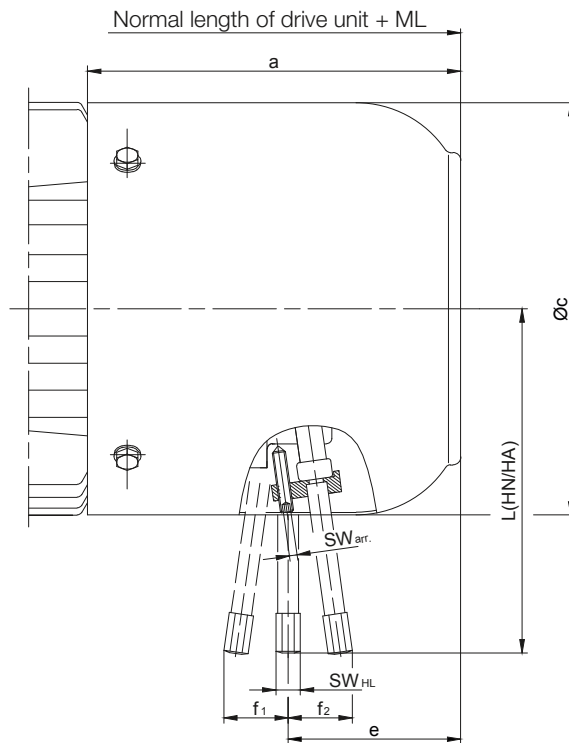
Motor	Size Terminal box	a	b	c	d	e	f ₁	f ₂	g	h ₁	h ₂	IST	x
D..04..	TBS1	30	90	52.5	106	49	118.5	147	111	117	93	124.5	46
D..05	TBS1	57	90	52.5	106	49	123.5	152	116	117	93	129.5	46
D..06	TBS1	45	90	52.5	106	49	125.5	154	118	117	93	131.5	46
D..07	TBS1	45	90	52.5	106	49	125.5	154	118	117	93	131.5	46
D..08	TBS1	45	90	52.5	106	49	143.5	172	136	117	93	149.5	46
D..09	TBS2	62	132	66	135	71.5	158.5	187	158	117	93	164	68.5
D..11	TBS2	62	132	66	135	71.5	175.5	191	166	117	93	181	68.5
D..13	TBS3	78	156	78	158	83.5	199	227.5	191.5	117	93	216	79.5
D..16	TBS3	74	156	78	158	83.5	225	253.5	225	117	93	242	79.5
D..18	TBS4	94	200	100	201	105.5	257	299	257	117	93	287	100.5
D..20L	TBS4	94	200	100	201	105.5	274	299	266.5	117	93	303.5	100.5
D..22S	TBS4	94	200	100	201	105.5	274	299	266.5	117	93	303.5	100.5
D..22M													

Dimensions in millimetres (mm)

Motor-mounted components

Dimensions

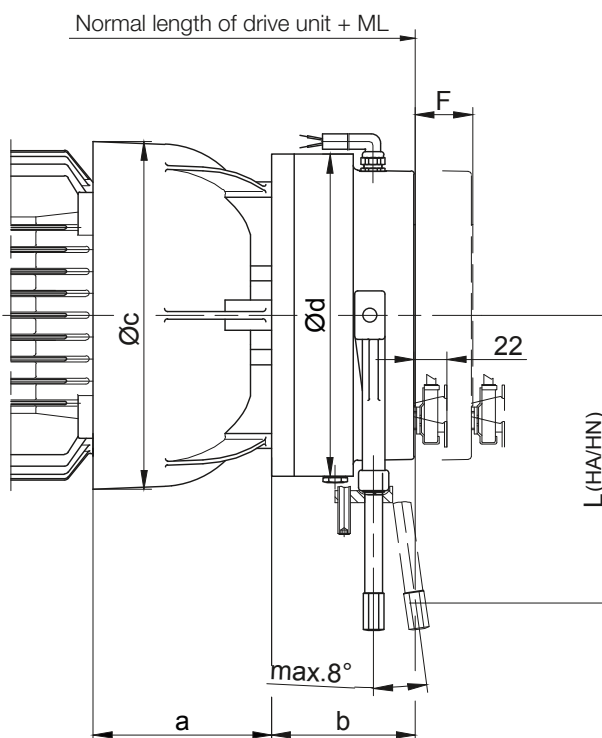
Motor with standard brake



Motor	Brake	ML (mm) Additional length with brake	Dimensions (mm)								Additional weight kg									
			a	Øc	e	f ₁	f ₂	L(HA/HN)	SW _{HL}	SW _{arr.}										
D..04..	E003	43.5	97	110.5	58.5	20.5	24	96/102	11	11	1.0									
D..05..					60															
D..06..					58.5															
D..07..	E003/E004	42	102	123	58.5	20.5	24	96/102	11	11	1.0									
D..08..	ES(X)010				66							141	156	68	-	29	132	8	2.5	2.6
D..09..	ES(X)010				93							173	176	99	-	29	132	8	2.5	2.7
	ES(X)027	91	-	35.5		162	4.2													
D..11..	ES(X)027	98	195	218	103	-	35.5	162	8	2.5	4.5									
	ES(X)040				100	-	37	172			6.3									
	ES(X)070				96	-	34.5	190			12	4	8.5							
D..13..	ES(X)040	111	225	258	125	-	41	202	12	4	6.5									
	ES(X)070				121	-	38	225			8.5									
	ES(X)125				116	-	45	223			12.5									
D..16..	ES(X)125	144	290	310	148	-	48.5	244	12	4	13.5									
	ES(X)200				141	-	50	256			19									
	ES(X)300				112	-	-	-			22									
D..18..	ES(X)250	150	339	348	153	-	58.5	286	12	4	28									
	ZS(X)500				123	-	-	-	19	5	30									
D..20L	ES(X)250	127.5	399	363	183	49	-	286	19	5	27.5									
	ZS(X)500				152.5															
	ZS(X)800				149															
D..22S	ES(X)250	127.5	399	363	183	49	-	286	19	5	27.7									
	ZS(X)500				152.5															
	ZS(X)800				149															
D..22M	ES(X)250	127.5	399	363	183	49	-	286	19	5	61.5									
	ZS(X)500				152.5															
	ZS(X)800				149															

HA = manual release lockable
HN = manual release not lockable

“Heavy-Duty“ - brake



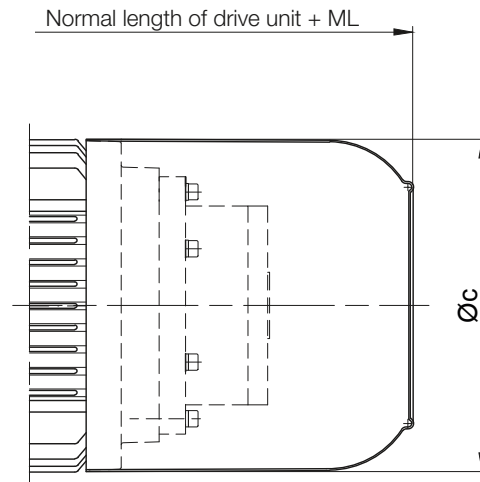
Motor	Bremse	Mehrlänge mit Bremse (mm)		Maße (mm)					Mehrgewicht kg
		ML Standard	ML Mikroschalter	a	b	c	Ød	L (HA/HN)	
D..08..	EH(X)010	74	96	83,5	62,5	166	120	132	4,2
D..08..	EH(X)027	79	101	83,5	66,5	166	145	162	5,5
D..09..	EH(X)027	82,5	104,5	102	70,5	191	145		7,6
D..09..	EH(X)040	90	112	102	73	191	168	172	8,3
D..11..	EH(X)070	104	126	120	85	231	188	189,5	15,2
D..11..	EH(X)125	114	136	120	95	231	213	208,5	19,5
D..13..	EH(X)200	128	150	140	106	274,5	245	221	29,3
D..16..	EH(X)400	141	163	155	124	326	324	313	55,8
D..18..		152	174	183		366			61

HA = Handlüftung arretierbar
HN = Handlüftung nicht arretierbar

Motor-mounted components

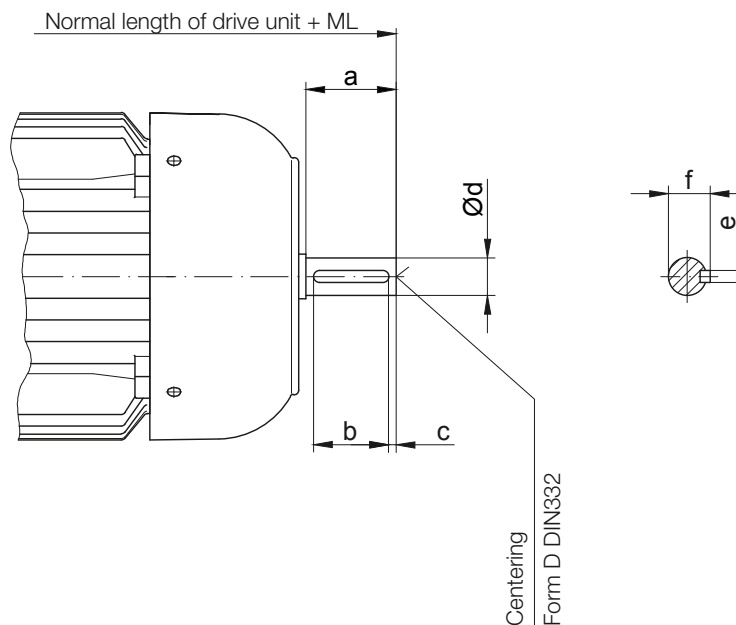
Dimensions

Motor with back stop



Motor	ML (mm) Additional length with backstop	Dimensions (mm) c	Additional weight kg
D..08..	66	156	6.5
D..09..	93	181	6.5
D..11..	98	228	8
D..13..	111	258	13.5
D..16..	144	310	16
D..18..	150	348	17
D..20L	-	363	9.5
D..22S			
D..22M			

Motor with second shaft end

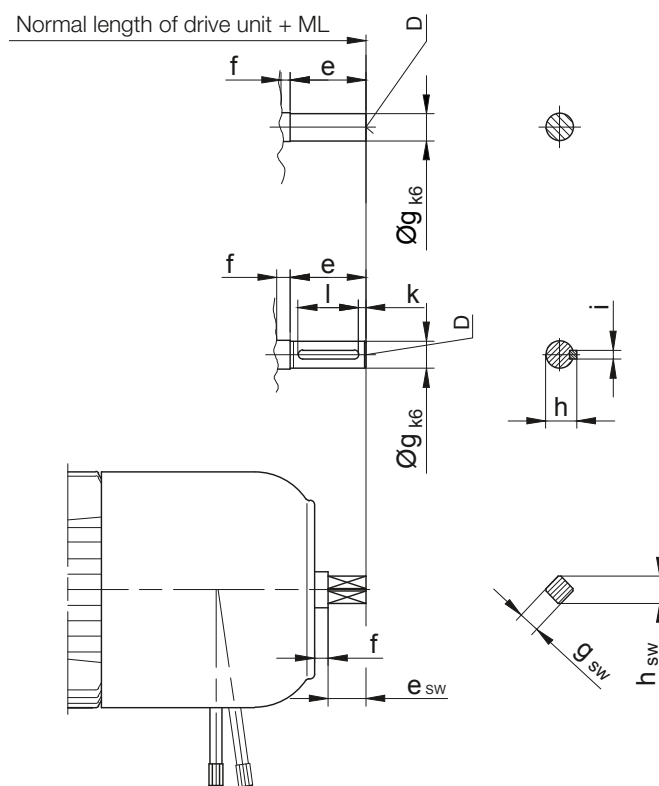


Motor	ML (mm) Additional length with second shaft end	Dimensions (mm)						Centering DIN 332
		a	b	c	d	e	f	
D..04..	20	15	-	-	8 _{g6}	-	-	-
D..05..	25	20	-	-	10 _{k6}	-	-	-
D..06..	25	20	-	-	10 _{k6}	-	-	-
D..07..	25.5	20	-	-	10 _{k6}	-	-	-
D..08..	45	40	30	5	16 _{k6}	5	18	D5
D..09..	55	50	40	5	20 _{k6}	6	22.5	D5
D..11..	65	60	50	5	25 _{k6}	8	28	D8
D..13..	85	80	60	10	35 _{k6}	10	38	D12
D..16..	115	110	90	10	40 _{k6}	12	43	D16
D..18..	115	110	90	10	45 _{k6}	14	48.5	D16
D..20L	115	110	90	10	45 _{k6}	14	48.5	D16
D..22S	115	110	90	10	45 _{k6}	14	48.5	D16
D..22M								

Motor-mounted components

Dimensions

Motor with brake and second shaft end

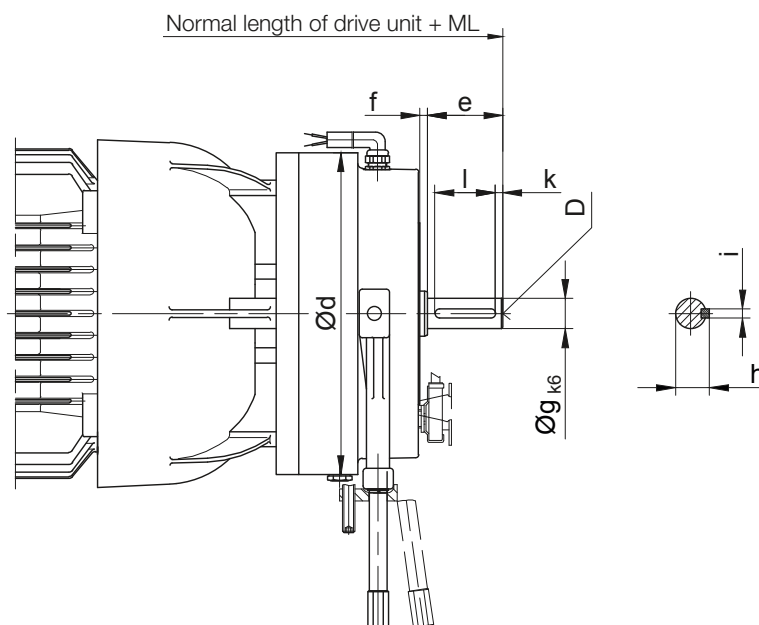


Motor	Brake	Additional length (mm)		Dimensions (mm)										Centering	
		ML	ML _{SW}	e	e _{SW}	f	g	g _{SW}	h	h _{SW}	i	k	l	DIN 332	SW
D..04..	E003	63	-	15	-	5	8	-	-	-	-	-	-	-	-
D..05..				20			10								
D..06..				20			10								
D..07..	E003/E004														
D..08..	ES(X)..	121	96*	50	25*	5	18	SW14*	20.5	18*	6	5	40	D6	D4*
D..09..		98	123*				20*	SW14	22.5*	18	6*	40*	D6*	D4	
D..11..		153.5*	128	50*	25		28*	SW22	31*	28	8*	5*	50*	D10*	D10
D..13..		176*	156	60*	40		4.5	28*	SW22	31*	28	8*	5*	50*	D10*
D..16..	ES(X).. / ZS(X)..	208.5*	188.5	60*	40	5	28*	SW22	31*	28	8*	5*	50*	D10*	D10
D..18..		359*	194.5	5	28*	SW22	31*	28	8*	5*	50*	D10*	D10		
D..20L	ES(X).. / ZS(X)..	127.5*	172.5	60*	40	5	28*	SW22	31*	28	8*	5*	50*	D10*	D10
D..22S															
D..22M															

* special design with manual release

The actual gearbox design can vary from the geometry shown. Generate drive specific 3D and 2D geometries under www.BauerCat.com.

Motor with "heavy duty" brake and second shaft end

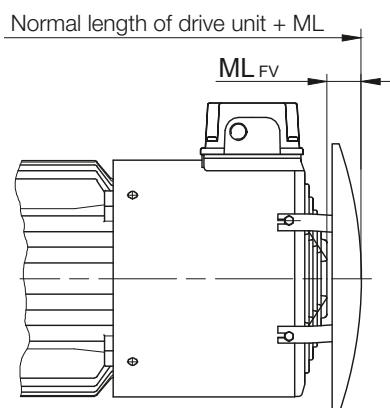
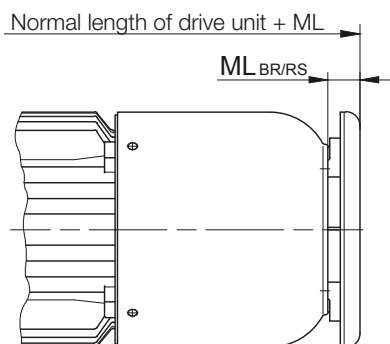
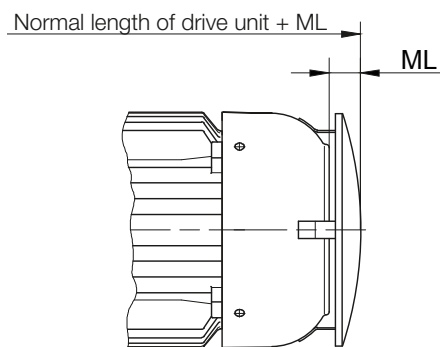


Motor	Brake	ML (mm) Additional length with encoder and brake	Dimensions (mm)								Centering D 332	Additional weight kg
			Ød	e	f	Øg	h	i	k	k		
D..08..	EH(X)027	132	145	50	4	18	20.5	6	5	6	D6	6
D..09..	EH(X)040	144	168		18	20.5	9					
D..11..	EH(X)125	169	213		20	22.5	20					
D..13..	EH(X)200	192	245	60	5	28	31	8	8	D10	29.5	
D..16..	EH(X)400	205.5	324		28	31	56					
D..18..		216.5			30	33	61					

Motor-mounted components

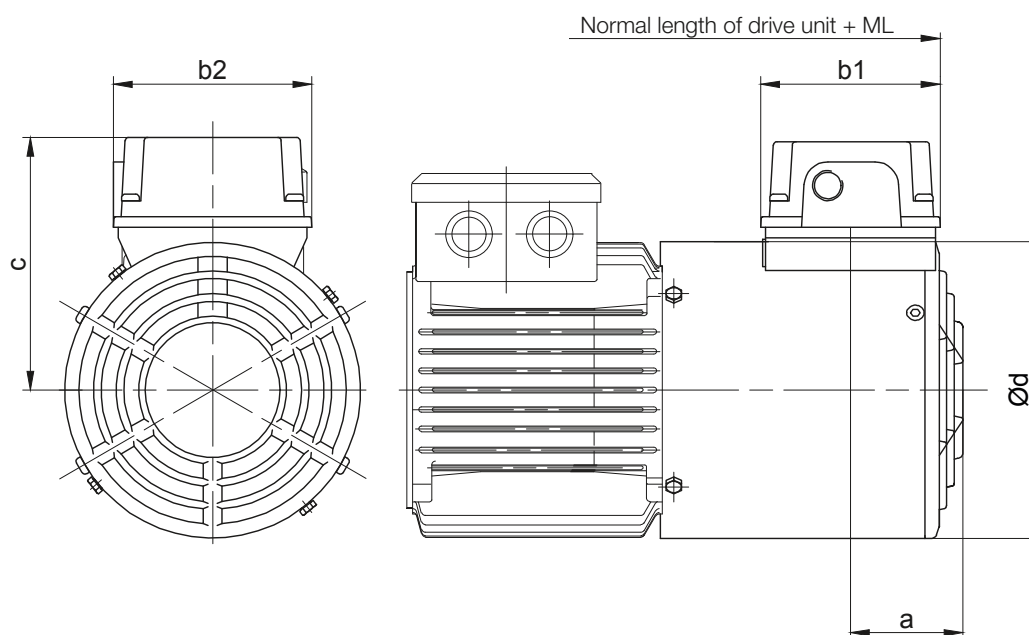
Dimensions

Motor with protective hood



Motor	ML (mm)				Additional weight kg
	Additional length with attached protective cover				
	ML	ML _{BR}	ML _{RS}	ML _{FV}	
D..04..	16	-	-	-	0.15
D..05..	18	-	-	-	0.15
D..06..	18	-	-	-	0.15
D..07..	18	-	-	-	0.15
D..08..	14.5	24.5	24.5	40	0.20
D..09..	22	24.5	24.5	30	0.30
D..11..	29	29.5	29.5	33	0.40
D..13..	30	29.5	29.5	25	0.6
D..16..	30.5	34.5	34.5	32	1.8
D..18..	30.5	34.5	34.5	32	5.5
D..20L	31	31	31	31	6.4
D..22S	31	31	31	31	6.4
D..22M	31	31	31	31	6.4

Motor with independent fan



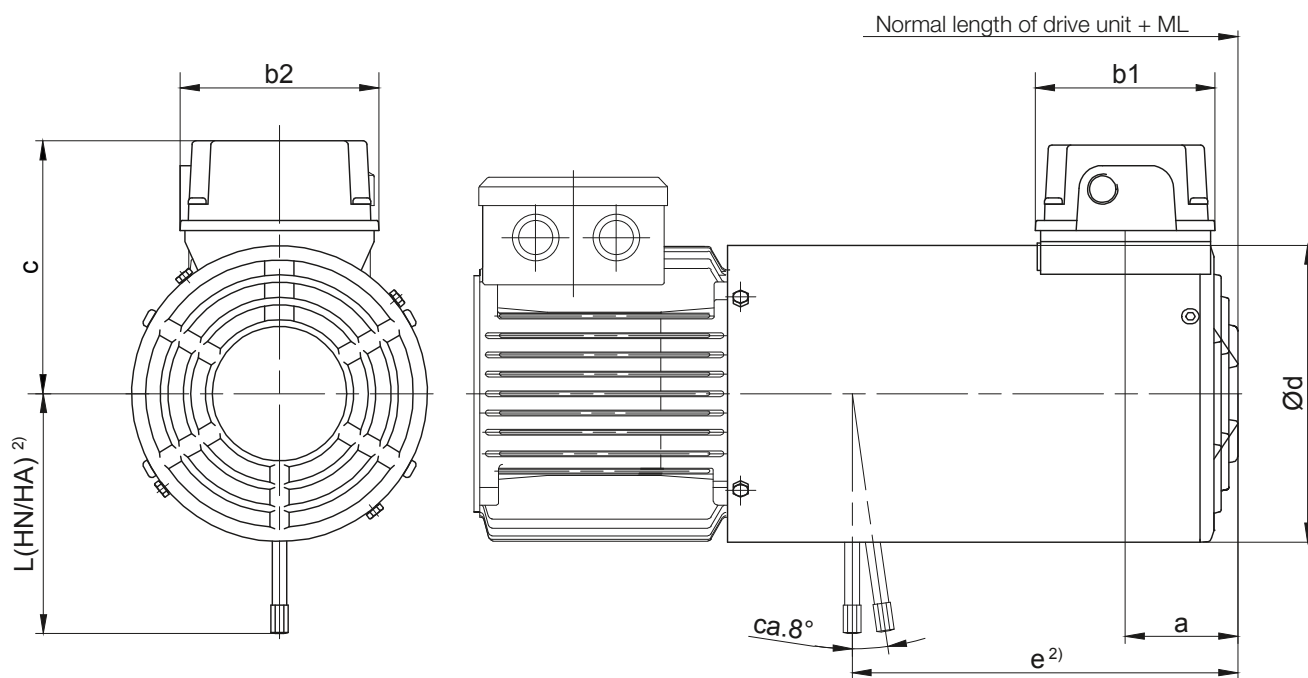
Drive Motor	Fan Motor	kW	r/min	400 V A	ML (mm) Additional length with forced cooling fan	Dimensions (mm)					Additional weight ~kg
						a	b1	b2	c	d	
D..08..	FV D08	0.019	2670	0.029	92	69.5	107	105	134	157	2.2
D..09..	FV D09	0.046	2820	0.106	97	69.5	107	105	143	177	2.7
D..11..	FV D11	0.051	2660	0.110	97	79.5	107	105	162.5	219	3.2
D..13..	FV D13	0.073	2820	0.169	119	78.8	107	105	164	258	4.6
D..16*	FV D16	0.154	2760	0.347	144	78.8	107	105	185	311	6.4
D..18*	FV D18	0.154	2760	0.347	303	78.8	107	105	211	348	8.4

* with bayonet joint

Motor-mounted components

Dimensions

Motor with brake and independent fan



Motor	Brake	ML (mm) ¹⁾ Additional length with brake and forced ventilation	Dimensions (mm)							Additional weight ~kg
			a	b1	b2	c	Ød	e ²⁾	L(HA/HN) ²⁾	
D..08..	ES(X)010	202	59	107	105	134	157	204	132	5.0
D..09..	ES(X)010	214	69.5	107	105	143	177	220	132	5.5
	ES(X)027							212	162	7.5
D..11*	ES(X)027	221	69.5	107	105	162.5	219	226	162	8.0
	ES(X)040							223	172	10
	ES(X)070							218	184	12
D..13*	ES(X)040	237	79.5	107	105	164	164	254	202	11.5
	ES(X)070							250	225	13.5
	ES(X)125							245	223	17.5
D..16*	ES(X)125	294	78.8	107	105	185	311	298	244	19.5
	ES(X)200							291	256	25
	ES(X)300							262		27
D..18*	ES(X)250	303	78.8	107	105	211	348	307	286	37
	ES(X)500							277		38.5

* with bayonet joint

¹⁾ The additional length is for normal motor unit without brake.

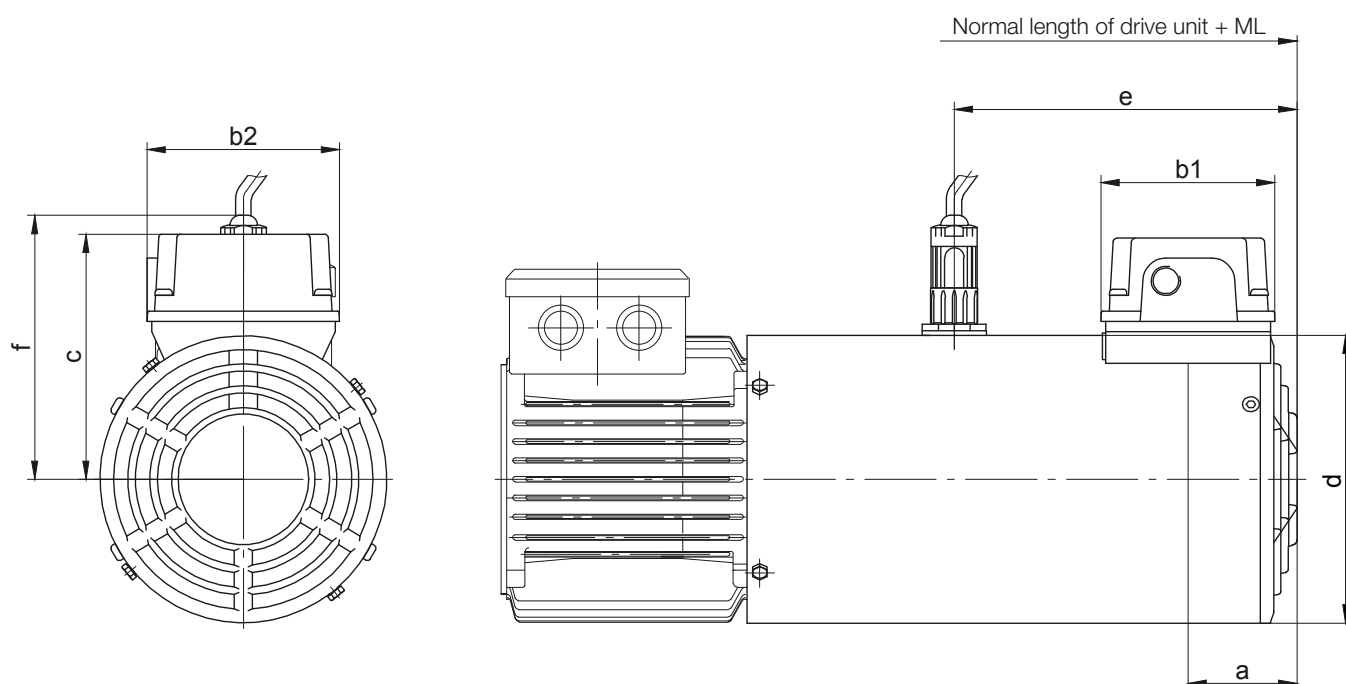
Other dimensions see the appropriate normal dimensioned sketch.

²⁾ Brake release on request

HA = manual release lockable

HN = manual release not lockable

Motor with encoder with built-on independent fan



Motor	ML (mm) ¹⁾ Additional length with encoder and forced ventilation	Dimensions (mm)							Additional weight ~kg
		a	b1	b2	c	d	e	f	
D..08..	202	59	107	105	134	157	187	144	2.6
D..09..	214	69.5	107	105	143	177	192	153.5	3.3
D..11*	221	69.5	107	105	162.5	218	192	-	4.0
D..13*	240	79.5	107	105	164	258	217	-	5.7
D..16*	294	78.8	107	105	185	311	252	-	7.9
D..18*	303	78.8	107	105	211	348	267	-	10.9

* with bayonet joint

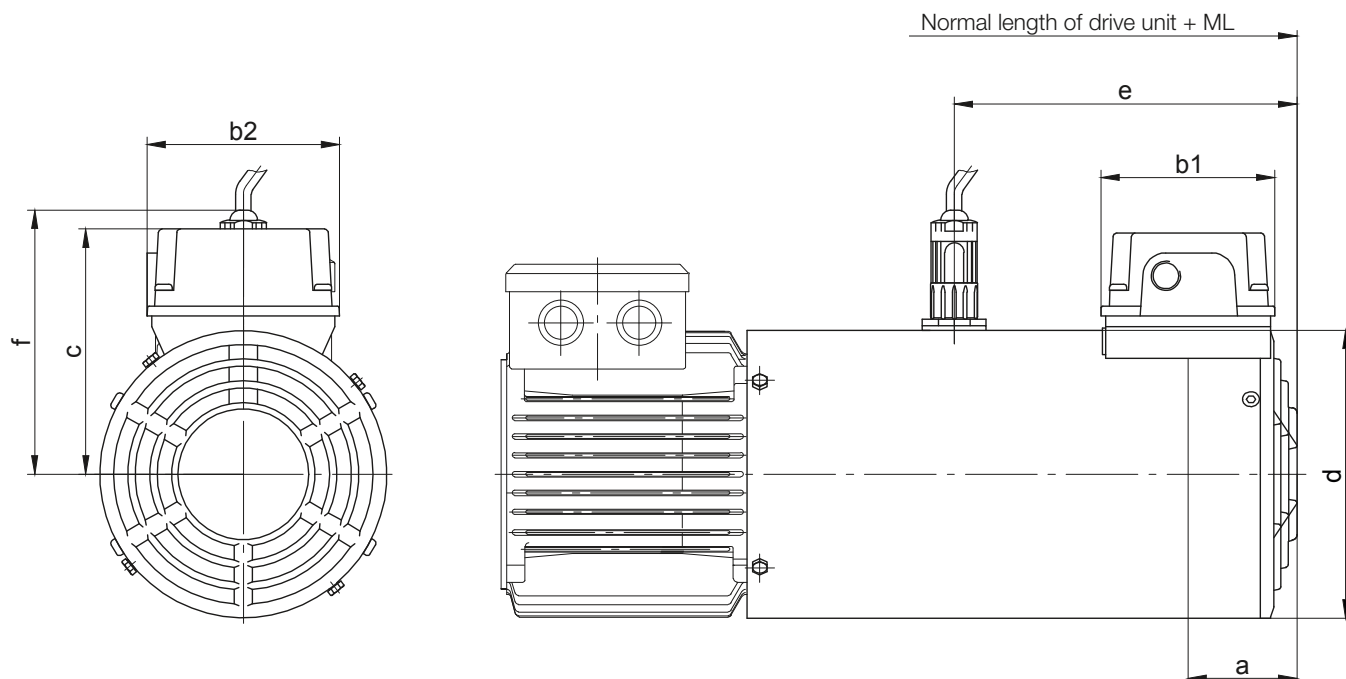
¹⁾ The additional length is for normal motor unit without brake.

Other dimensions see the appropriate normal dimensioned sketch.

Motor-mounted components

Dimensions

Motor with brake and encoder with built-on independent fan



Motor	Brake	ML (mm) ¹⁾	Dimensions (mm)									Additional weight ~kg
			a	b1	b2	c	Ød	e ²⁾	g	h	L(HA/HN) ²⁾	
D..08..	ES(X)010	202	59	107	105	134	157	204	150	150	132	6.0
D..09..	ES(X)010	214	69.5	107	105	143	177	220	160	160	132	6.5
	212							160	162		8.5	
D..11*	ES(X)027	221	69.5	107	105	162.5	219	226	155	175	162	9.0
	ES(X)040							223	155		172	11.5
	ES(X)070							218	155		184	13.5
D..13*	ES(X)040	240	79.5	107	105	164	258	254	175	194.5	202	13
	ES(X)070							250	175		225	15
	ES(X)125							245	175		223	19
D..16*	ES(X)125	294	78.8	107	105	185	311	298	195	221	244	21
	ES(X)200							291	195		256	27
	ES(X)300							262	195		256	29
D..18*	ES(X)250	303	78.8	107	105	211	348	207	212	239.5	286	39
	ES(X)500							277	212			286

* with bayonet joint

¹⁾ The additional length is for normal motor unit without brake.

Other dimensions see the appropriate normal dimensioned sketch.

²⁾ Brake release on request

HA = manual release lockable

HN = manual release not lockable

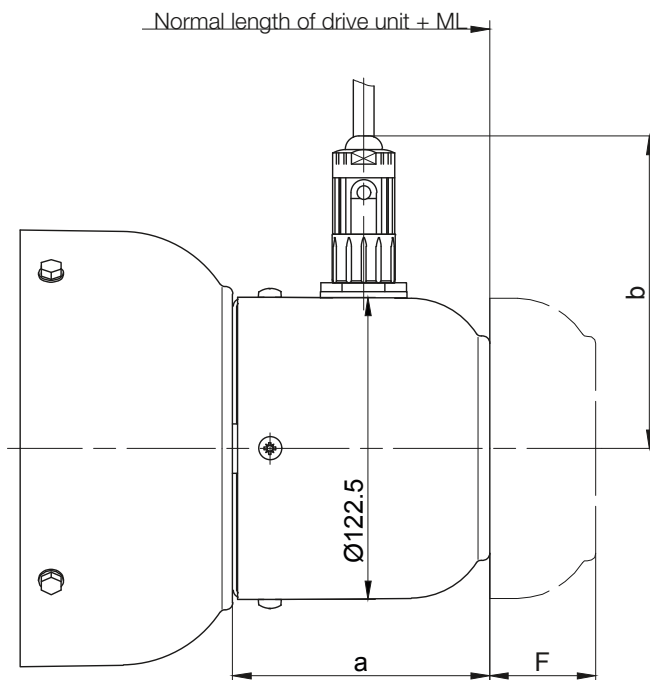
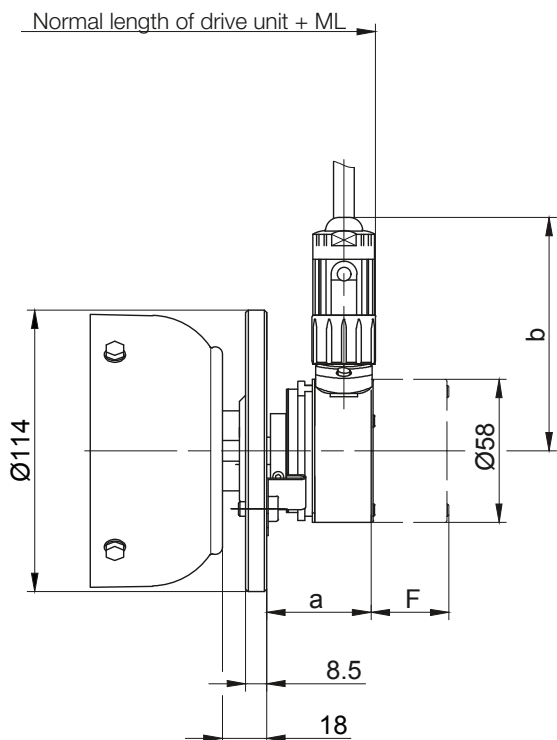
Motor-mounted components

Dimensions

Motor with encoder

D..04..

D..05.. - D..22..



Fan cover geometry for D..16 and D..22, see dimensional drawing: terminal box as standard version

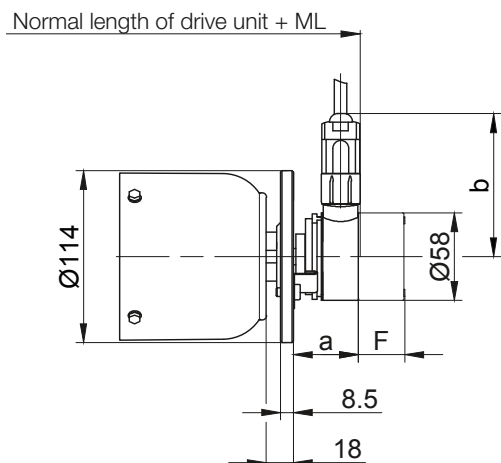
Motor	ML (mm) Additional length with encoder	Dimensions (mm)				Additional weight kg	Free space for removing encoder „F“	
		Incremental encoder		Absolute encoder			Incremental encoder	Absolute encoder
		a	c	a	b			
D..04..	62.5	43.5	95	69.5	109.5	0.7	30	55
D..05..	103	98.5	127	98.5	127	0.9	63	88
D..06..								
D..07..								
D..08..	107	107.5	127	107.5	127	0.8	41	66
D..09..								
D..11..	110	104	127	104	127	0.8	43	68
D..13..								
D..16..	110	104	127	104	127	0.8	43	68
D..18..								
D..20L	106	106	127	106	127	1.2	43	68
D..22S								
D..22M								

Motor-mounted components

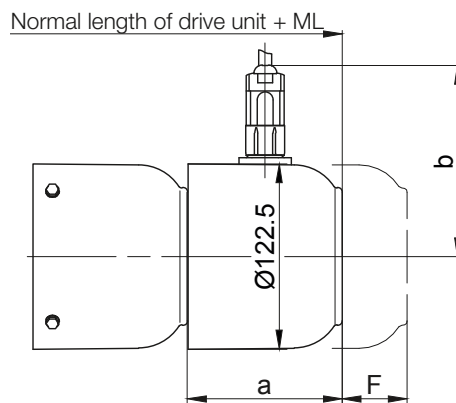
Dimensions

Motor with brake and encoder

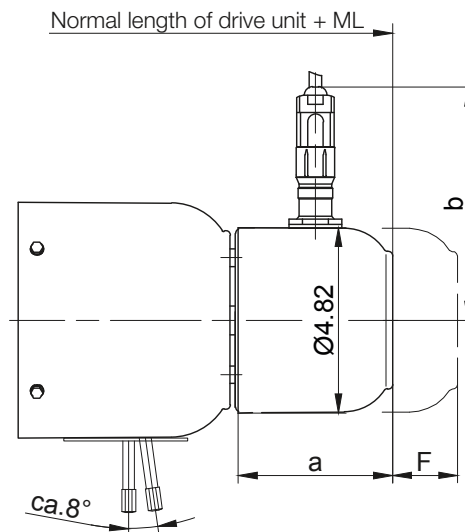
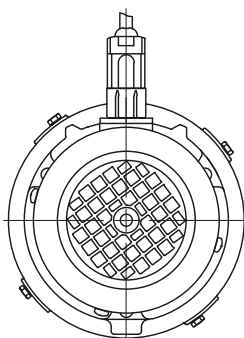
D..04..



D..05.. - D..07..



D..08.. - D..22..

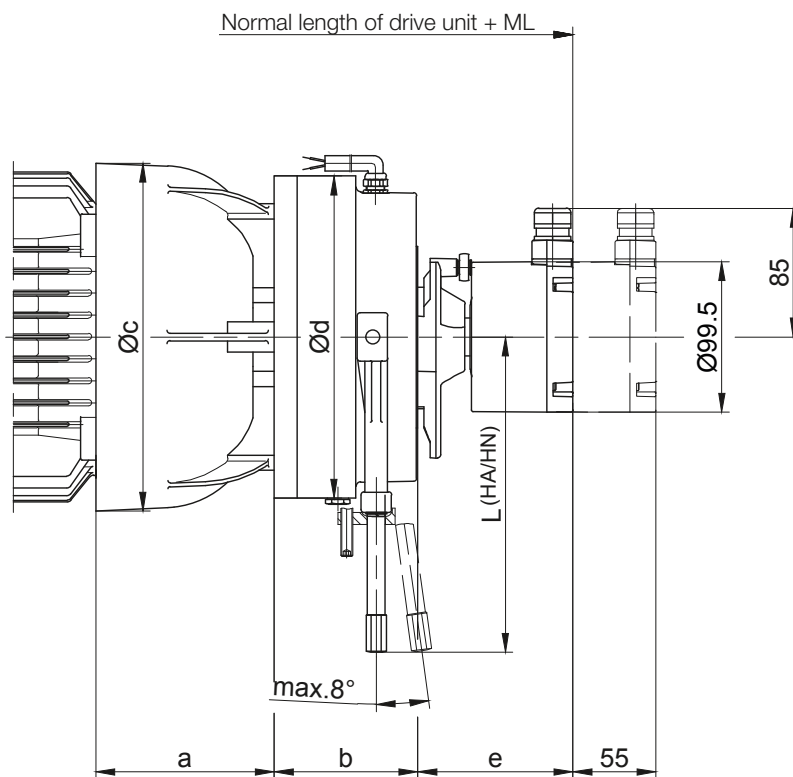


Motor	Brake	ML (mm) Additional length with brake and encoder	Dimensions (mm)				Additional weight kg	Free space for removing encoder „F“	
			Incremental encoder		Absolute encoder			Incremental encoder	Absolute encoder
			a	c	a	b			
D..04..	E003	105.5	43.5	95	69.5	109.5	0.7	30	55
D..05..		145	102	127	102	127	0.8	49	74
D..06..									
D..07..	E003/E004								
D..08..	ES(X)..	173.5							
D..09..	ES(X)..	197							
D..11..	ES(X)..	200							
D..13..	ES(X)..	212							
D..16..	ES(X)..ZS(X)	248	104						
D..18..	ES(X)..ZS(X)	247.5							
D..20L	ES(X)..ZS(X)	233.5	106				1.2		
D..22S	ES(X)..ZS(X)								
D..22M	ES(X)..ZS(X)								

Motor-mounted components

Dimensions

Motor with "heavy duty" brake and encoder

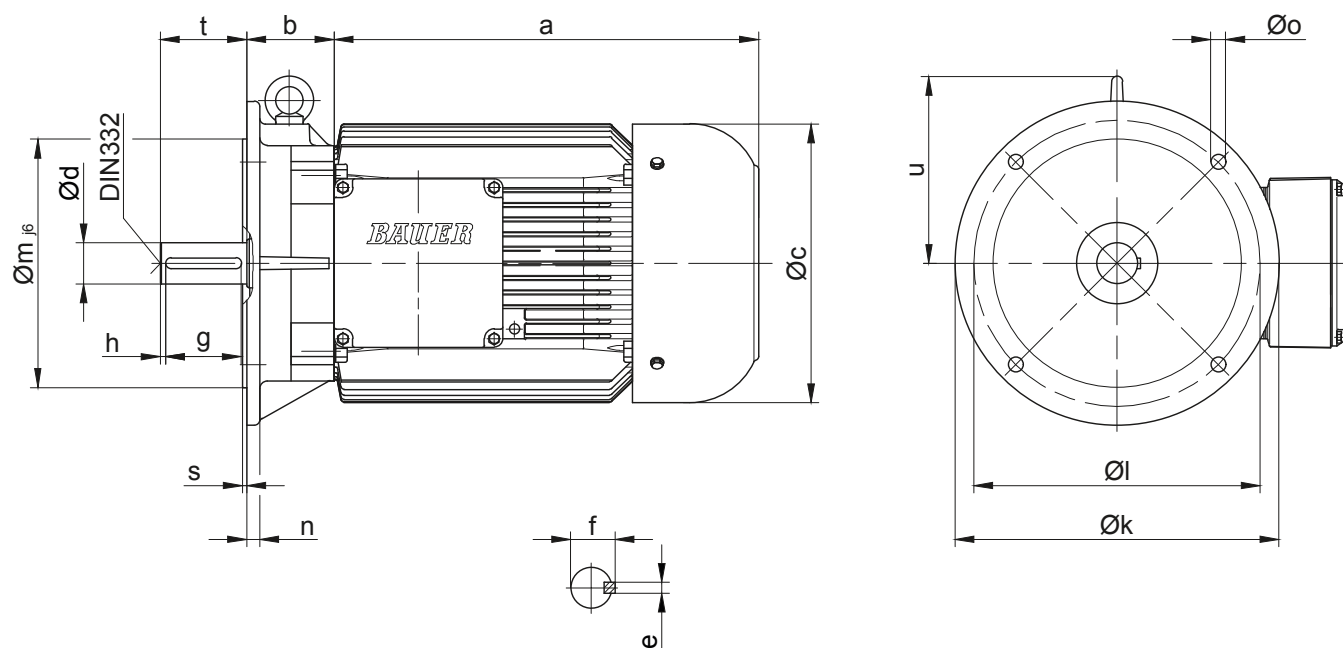


Motor	Brake	ML (mm) Additional length with brake and encoder	Dimensions (mm)						Additional weight kg
			a	b	c	Ød	e	L (HA/HN)	
D..08..	EH(X)027	180.5	83.5	66.5	166	145	102.5	162	7.1
D..09..	EH(X)040	191.5	102	73	191	168		172	10
D..11..	EH(X)125	216.5	120	95	231	213		208.5	21.4
D..13..	EH(X)200	259	140	106	274.5	245	94.5	221	32
D..16..	EH(X)400	243	155	124	326	324		313	58
D..18..		254	183		366				

HA = manual release lockable
HN = manual release not lockable

Motor in IEC design

D..06 - D..18

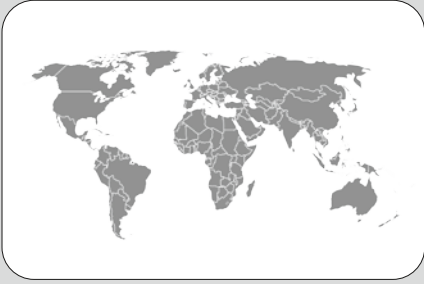


Fan cover geometry for D..16 and D..18, see dimensional drawing: terminal box as standard version

Motor	Dimensions (mm)																Centering DIN 332
	a	b	c	d	e	f	g	h	k	l	m	n	o	s	t	u	
D..06..A	170	45	123	11 ₆	4	12.5	18	2.5	140	115	95	9	10	2.75	23	-	D4
D..07..A	190	45	123	11 ₆	4	12.5	18	2.5	140	115	95	9	10	2.75	23	-	D4
D..08..A	200	49	156	19 ₆	6	21.5	35	2.5	200	165	130	10	12	3.5	40	-	D4
D..08..B	230	49	156	19 ₆	6	21.5	35	2.5	200	165	130	10	12	3.5	40	-	D4
D..09..A	251	66	176	24 ₆	8	27	40	5	200	165	130	10	12	3.5	50	128.5	D6
D..09..B	309	66	176	24 ₆	8	27	40	5	200	165	130	10	12	3.5	50	128.5	D6
D..11..A	319	75	218	28 ₆	8	31	50	5	250	215	180	11	14.5	4	60	145.5	D10
D..11..B	387	75	218	28 ₆	8	31	50	5	250	215	180	11	14.5	4	60	145.5	D10
D..13..A	393	81	266	38 ₆	10	41	70	5	300	265	230	12	14	4	80	173	D12
D..16..B	454.5	98.5	310	42 ₆	12	45	90	10	350	300	250	13	18.5	5	110	215.5	D16
D..18..B	542	128.5	348	48 ⁶	14	51.5	100	5	350	300	250	15	18.5	5	110	218	D16

Energy Efficient Geared Motors

AC Line Operated / European Union



17

BAUER global

North America	531
Latin America	532
Europe	533
Eastern Europe	536
Middle East & Africa	537
APAC	538
China	539

Energy Efficient Geared Motors

AC Line Operated / European Union



N o r t h A m e r i c a



Canada	Bauer GMC	4020B Sladeview Crescent, Unit 5 L5L 6B1 Mississauga	Phone +1 (905) 814 5152 Fax +1 (905) 814 5153	www.bauergmc.com
United States	Bauer Gear Motor LLC.	701 Carrier Drive NC 28216 Charlotte	Phone +1 (800) 3870130 Fax +1 (732) 4698773	bauer.us@bauergears.com www.bauergears.com



Latin America



Belize	Transmisiones LTDA.	Cra. 69 B No. 21 A - 24 Parque Industrial Salitre 77158 Bogota / Colombia	Phone Fax	+57 (1) 4126898 +57 (1) 2929737	aguerrero@transmisiones.de http://www.transmisiones.de
Bolivia	Transmisiones LTDA.	Cra. 69 B No. 21 A - 24 Parque Industrial Salitre 77158 Bogota / Colombia	Phone Fax	+57 (1) 4126898 +57 (1) 2929737	aguerrero@transmisiones.de http://www.transmisiones.de
Brazil	MKN Acionamentos LTDA	Rua Marco Gagliano 264 Americanópolis 04412-120 São Paulo-SP	Phone Fax	+55 (11) 56215574 +55 (11) 56211406	mkn.aciona@terra.com.br
Chile	Jung y Cia LTDA	Huerfanos 757 Of 310 8320167 Santiago de Chile	Phone	+56 (2) 26383731	jung@jung.cl
Colombia	Transmisiones LTDA.	Cra. 69 B No. 21 A - 24 Parque Industrial Salitre 77158 Bogota	Phone Fax	+57 (1) 4126898 +57 (1) 2929737	aguerrero@transmisiones.de www.transmisiones.de
Costa Rica	Transmisiones LTDA.	Cra. 69 B No. 21 A - 24 Parque Industrial Salitre 77158 Bogota / Colombia	Phone Fax	+57 (1) 4126898 +57 (1) 2929737	aguerrero@transmisiones.de www.transmisiones.de
Cuba	Transmisiones LTDA.	Cra. 69 B No. 21 A - 24 Parque Industrial Salitre 77158 Bogota / Colombia	Phone Fax	+57 (1) 4126898 +57 (1) 2929737	aguerrero@transmisiones.de www.transmisiones.de
French Guiana	Transmisiones LTDA.	Cra. 69 B No. 21 A - 24 Parque Industrial Salitre 77158 Bogota / Colombia	Phone Fax	+57 (1) 4126898 +57 (1) 2929737	aguerrero@transmisiones.de www.transmisiones.de
Guatemala	Juan Niemann & Cia. Ltda.	Apartado Postal 290 C/Mariscal Cruz, C.A. Guatemala Ciudad, C.A.	Phone Fax	+502 (331) 5454 +502 (334) 7453	jcniemann@jcniemann.com www.jcniemann.com/motorreductores
Guyana	Transmisiones LTDA.	Cra. 69 B No. 21 A - 24 Parque Industrial Salitre 77158 Bogota / Colombia	Phone Fax	+57 (1) 4126898 +57 (1) 2929737	aguerrero@transmisiones.de www.transmisiones.de
Honduras	Transmisiones LTDA.	Cra. 69 B No. 21 A - 24 Parque Industrial Salitre 77158 Bogota / Colombia	Phone Fax	+57 (1) 4126898 +57 (1) 2929737	aguerrero@transmisiones.de www.transmisiones.de
Mexico	Opeasa-Zugastek	2 Poniente 3102A Col. Amor 72140 Puebla	Phone	+52 (222) 4036242	info@zugastek.com www.zugastek.com
Nicaragua	Transmisiones LTDA.	Cra. 69 B No. 21 A - 24 Parque Industrial Salitre 77158 Bogota / Colombia	Phone Fax	+57 (1) 4126898 +57 (1) 2929737	aguerrero@transmisiones.de www.transmisiones.de
Panama	Transmisiones LTDA.	Cra. 69 B No. 21 A - 24 Parque Industrial Salitre 77158 Bogota / Colombia	Phone Fax	+57 (1) 4126898 +57 (1) 2929737	aguerrero@transmisiones.de www.transmisiones.de
Paraguay	Transmisiones LTDA.	Cra. 69 B No. 21 A - 24 Parque Industrial Salitre 77158 Bogota / Colombia	Phone Fax	+57 (1) 4126898 +57 (1) 2929737	aguerrero@transmisiones.de www.transmisiones.de
Peru	Transmisiones & Servicios S.A.C.	Alcanfores 981. of 601. 18 Miraflores - Lima	Phone Fax	+51 (1) 242 0862 +51 (1) 242 086221	info@transmisiones.pe www.transmisiones.pe
Uruguay	Tradinter S.R.L	Pereira de la luz 1327 11300 Montevideo	Phone Fax	+598 (2) 6221130 +598 (2) 6284691	
Venezuela	EMOTEC S.A.	Calle Johann Schafer, Edif. FHT, Piso 1, Oficina 1, Urb. Buena Vista, Caracas-Venezuela Urb. Sabana Grande Caracas	Phone Fax	+58 (212) 2715261 +58 (212) 2711838	ventas@emotecsacom www.emotecsacom



Europe



Andora	TEM S.L. Bauer Gear Center for Spain and Portugal	Transmisiones Electromecánicas, Pol. Industrial Les Comes Calle Italia 11 Nave 9 08700 Igualada (Barcelona) / Spain	Phone Fax	+34 (93) 8056021 +34 (93) 8056022	info@tem-sl.com www.tem-sl.com
Austria	ESKO Elektromaschinenbau GmbH	Ankerweg 8 8753 Fohnsdorf	Phone Fax	+43 (3573) 27570 +43 (3573) 27570-4	office@esko.at www.esko.at
Austria	Mangold Elektromaschinen GmbH	Holzriedstr. 33 6960 Wolfurt	Phone Fax	+43 (5574) 64072-0 +43 (5574) 64072-9	info@mangoldgmbh.at www.mangoldgmbh.at
Austria	BIS Chemserv GmbH	Bau 28 St. Peter-Str. 25 Postfach 750 4021 Linz	Phone Fax	+43 (732) 69172278 +43 (732) 69173322	service@chemserv.at www.chemserv.at
Austria	BIS Chemserv GmbH	Haiminger-Str. 1 84489 Burghausen / Germany	Phone Fax	+49 (867) 7977507 +49 (867) 7977510	www.chemserv.at
Belgium	Bauer Gear Motor Europe GmbH Branch Office Belgium	p/a Regus Pastoor Cooremansstraat 3 1702 Groot-Bijgaarden	Phone	+32 (0) 2 8937280	info.be@bauergears.com www.bauergears.com
Belgium	emr NV/SA	Kruisstraat 61 C 9930 Lievegem	Phone Fax	+32 (9) 2515956 +32 (9) 2515891	emr@nvemr.be www.nvemr.be
Bosnien and Herzegovina	Indas Industry Assistance d.o.o.	Heroja Pinkija 95 YU-21000 Novi Sad Serbia and Montenegro	Phone Fax	+381(21) 4804800 +381(21) 4804808	office@indas.rs http://www.indas.rs
Bulgaria	NASA - D Ltd.	kv. Mladost IV bl.602, vh.1 (In front of Business Park Sofia) 1715 Sofia	Phone Fax	+359 (2) 9755065 +359 (2) 9755067	office@nasa-d.com www.nasa-d.com
Bulgaria	NASA - D Ltd.	12, Bitolya str. 9002 Varna	Phone Fax	+359 (52) 605995 +359 (52) 600498	varna@nasa-d.com www.nasa-d.com
Croatia	TALER ING d.o.o.	Jelovška cesta 43A 4264 Bohinjka Bistrica / Slovenia	Phone Fax	+386 (4) 5747128 +386 (4) 5747129	info@taler-ing.si www.taler-ing.si
Cyprus	Drivetech e.p.e.	Chrysostomou Smyrnis 124 18345 Moschato / Greece	Phone Fax	+30 (210) 7233318 +30 (210) 7233357	info@drivetech.gr www.drivetech.gr
Czech Republic	Jan Komárek-HMF	Sturova 15 415 02 Teplice	Phone Fax	+420 (417) 565616 +420 (417) 564455	tomas.abraham@navijama-hmf.cz www.navijarna-hmf.cz
Czech Republic	Huber CS s.r.o.	Cihlarska 19 602 00 Brno	Phone Fax	+420 541215635 +420 541216835	doskocil@hubercs.cz www.hubercs.cz
Czech Republic	IHR Technika s.r.o	Boleslavská 902 29306 Kosmonosy	Phone Fax	+420 (326) 722716 +420 (326) 320119	Bauer@ihr-tech.cz www.ihr-tech.cz
Denmark	Eegholm A/S	Grundtvigs allé 165-169 (Main office) Jyllandsgade 30, Hal 2 (Stock) 6400 Sønderborg	Phone Fax	+45 (73) 121212 +45 (73) 121213	eegholm@eegholm.dk www.eegholm.dk
Estonia	TECHVITAS OÜ	Tartu mnt 80J 101112 Tallinn	Phone	+372 (56) 700702	info@techvitas.ee www.techvitas.com
Finland	Bauer Gear Motor Finland Oy Ab	Teknobulevardi 3-5 01530 Vantaa	Phone	+358 (207) 189700	info.fi@bauergears.com www.bauergears.com
Finland	Sähkö-Team Oy	Pulttitie 10 00880 Helsinki	Phone Fax	+358 (207) 862330 +358 (207) 862339	korjaamo@sahko-team.fi www.sahko-team.fi
Finland	Tornion Sähköpojat Oy	Raidekatu 29 95420 Tornio	Phone Fax	+358 (400) 222401 +358 (16) 446853	markku.rantapaa@sahkopojat.fi www.sahkopojat.fi
France	Bauer Gear Motor Europe GmbH Succursale France	46, avenue des Frères Lumière 78190 Trappes	Phone Fax	+33 (0) 130132086 +33 (0) 130132088	info.fr@bauergears.com www.bauergears.com
France	Avenel	1, rue Lucien Fromage BP 1 76160 Darnetal (Nord-Quest/Normandie)	Phone Fax	+33 (0) 235085353 +33 (0) 235085608	infos@avenel.fr www.avenel.fr
France	Diceep	17-19 Route Nationale 54 280 Nancy-Laneuvelette (Nord-Est)	Phone Fax	+33 (0) 383290343 +33 (0) 383214613	diceep@diceep.fr www.diceep.fr
France	LM Systèmes SARL	11 Avenue de la Madeleine 33170 Gradignan	Phone Fax	+33 (0) 556754607 +33 (0) 556879150	info@lmsystemes.com www.lmsystemes.com
France	TIMA Transmissions Mécaniques Industrielles des Alpes	33 rue du Béal ZI sud 38400 Saint-Martin-d'Hères	Phone Fax	+33 (0) 476244039 +33 (0) 476629658	b.majoux@tima.fr www.tima.fr
Germany	Bauer Gear Motor GmbH	Eberhard-Bauer-Straße 37 73734 Esslingen	Phone Fax	+49 (711) 3518 0 +49 (711) 3518 381	info@bauergears.com www.bauergears.com
Germany	Bär - Elektromaschinen	Hafenstraße 53 39340 Haldensleben	Phone Fax	+49 (390) 4462589	info@baer-ema.de www.baer-ema.de



Europe



Germany	Beck Elektrotechnik	Nürnberg Str. 109 97076 Würzburg	Phone Fax	+49 (931) 20050 +49 (931) 2005200	info@beck-elektrotechnik.de www.beck-elektrotechnik.de
Germany	Boss Elektromaschinen + Pumpentechnik GmbH	Tankweg 27 44147 Dortmund	Phone Fax	+49 (231) 9820220 +49 (231) 98202241	elektromaschinen@boss-gruppe.de www.boss-gruppe.de
Germany	Bühler & Sell Elektromotoren KG	Sprendlinger Landstr. 180 63069 Offenbach	Phone Fax	+49 (69) 423076 +49 (69) 423078	info@buehler-sell.de www.buehler-sell.de
Germany	Dent Elektromaschinen GmbH	Grubwaldstr. 30 78224 Singen	Phone Fax	+49 (7461) 9697270 +49 (7461) 96972719	info@dent-elektromaschinen.de www.motorenpartner.de
Germany	Elektromaschinenbau Dipl.-Ing. Kögel & Ernst & Co. GmbH	Am Markbach 2 76547 Sinzheim	Phone Fax	+49 (7221) 50950 +49 (7221) 509527	info@koegel-ernst.de www.koegel-ernst.de
Germany	elektrotechnik + automation Ulrich Brodbeck GmbH	Gutenbergstr. 5 72631 Aichtal	Phone Fax	+49 (7127) 9583 0 +49 (7127) 958317	info@elektrotechnik-automation.de www.elektrotechnik-automation.de
Germany	Elektrowerk Nordhausen Dipl.-Ing. G. Francke Elektromaschinenbau	An der Helme 14 99734 Nordhausen	Phone Fax	+49 (3631)47950 +49 (3631)479520	info@elektrowerk-nordhausen.de www.elektrowerk-nordhausen.de
Germany	EMS Elektromotoren GmbH	Gewerbegebiet Egelsee 15 93354 Siegenburg	Phone Fax	+49 (9444) 9760 +49 (9444) 976177	bauergear@ems-elektromotoren.de www.ems-elektromotoren.de
Germany	Fuchs Elektromaschinenbau und Vertriebs GmbH	Kaiserstr. 4d 66133 Saarbrücken-Scheidt	Phone Fax	+49 (681) 98821690 +49 (681) 98821699	fuch_sb@t-online.de www.elektromaschinenbau-fuchs.de
Germany	Greif GmbH Elektrotechnik	Mushardstraße 11 27570 Bremerhaven	Phone Fax	+49 (471) 31997 +49 (471) 303694	info@greif-elektrotechnik.de www.greif-elektrotechnik.de
Germany	Klebs & Hartmann GmbH & Co. KG	August-Heller-Str. 3 67065 Ludwigshafen	Phone Fax	+49 (621) 579000 +49 (621) 5790024	e-technik@klebs-hartmann.de www.klebs-hartmann.de
Germany	Wilhelm Kleeberg GmbH & Co.KG E-Motoren E-Werkzeuge	Graf-Zeppelin-Straße 5 24941 Flensburg	Phone Fax	+49 (461) 43054110 +49 (461) 43054114	info@kleeberg-fl.de www.kleeberg-fl.de
Germany	Mangold Elektromaschinen- bau GmbH	Lindauer Str. 116 88046 Friedrichshafen	Phone Fax	+49 (7541) 500622 +49 (7541) 500630	info@mangold-fn.de www.mangold-fn.de
Germany	Hans Mayer Elektrotechnik GmbH	Simonshofer Str. 41 91207 Lauf a. d. Pegnitz	Phone Fax	+49 (912) 32041 +49 (912) 382661	info@hans-mayer-elektrotechnik.de www.hans-mayer-elektrotechnik.de
Germany	Motoren Franke GmbH	Ringstr. 18 01468 Boxdorf	Phone Fax	+49 (351) 207680 +49 (351) 2076829	info@motoren-franke.de www.motoren-franke.de
Germany	Polzin Elektromaschinenbau	Kunzestr. 20 04249 Leipzig	Phone Fax	+493414250107 +493414250108	info@polzin-elektromaschinenbau.de www.polzin-elektromaschinenbau.de
Germany	Rülke GbR Jens und Uwe Rülke	Austr. 36 08371 Glauchau	Phone Fax	+49 (3763) 5089 0 +49 (3763) 5089 29	info@ruecke-glauchau.de www.ruecke-glauchau.de
Germany	Schulz Systemtechnik GmbH	Schneiderkruger Str. 12 49429 Visbek	Phone Fax	+49 (4445) 897 0 +49 (4445) 897 300	info@schulz.st www.schulz-elektrotechnik.de
Germany	Sroczyński GmbH	Pferdestr. 24 48084 Osnabrück	Phone Fax	+49 (541) 588443 +49 (541) 588609	info@sroczyński.de www.sroczyński.de/
Germany	Steinlen Elektromaschinen- bau GmbH	Ehlbeek 21 30938 Burgwedel	Phone Fax	+49 (5139) 80700 +49 (5139) 807060	info@steinlen.de www.steinlen.de
Germany	Steinlen Elektromaschinen- bau GmbH	Am Schiffbekerberg 18 22111 Hamburg	Phone Fax	+49 (40) 7320307 +49 (40) 7322228	info@steinlen.de www.steinlen.de
Germany	UAS Meßtechnik GmbH	Prof.-Hermann-Staudinger-Straße 4 94234 Viechtach	Phone Fax	+49 (9942) 94860 +49 (9942) 948610	info@uas.de www.uas.de
Germany	Velden GmbH	Frechener Str. 12 50226 Frechen-Habbelrath	Phone Fax	+49 2234 96767 0 +49 2234 96767 29	info@velden-gmbh.de www.velden-gmbh.de
Greece	Drivetech e.p.e.	Chrysostomou Smyrnis 124 18345 Moschato	Phone Fax	+30 (210) 7233318 +30 (210) 7233357	info@drivetech.gr www.drivetech.gr
Greenland	Eegholm A/S	Grundtvigs allé 165-169 (Main office) Jyllandsgade 30, Hal 2 (Stock) 6400 Sønderborg / Denmark	Phone Fax	+45 (73) 121212 +45 (73) 121213	eegholm@eegholm.dk www.eegholm.dk
Hungary	Schorch Hungary Ltd. Industrial Site	Gyari Street 1 P.O. box 85 3580 Tiszaujvaros	Phone	+36 (49) 440877	info@schorchhungaria.hu www.schorchhungaria.hu
Hungary	BC Ongroelektro. Kft.	Bolyai tér 1. 3702 Kazincbarcika (East Hungary)	Phone Fax	+36 (48) 511186 +36 (48) 712771	toth.tibor@borsodchem.hu
Ireland	Avonmore Electrical (Dublin) Ltd. Part of the Avonmore Group	Unit D2 Airton Business Park Airton Road, Tallaght 24 Dublin	Phone Fax	+353 (1) 462 8333 +353 (1) 462 8333	eoin@avonmore-electrical.com www.avonmore-electrical.com



Europe



Italy	Bauer Gear Motor Europe GmbH	Viale Veneto 48 35020 Saonara (PD)	Phone	+39 (49) 8792327	bauer.it@bauergears.com www.bauergears.com/it/
Italy	Ma.In s.n.c.	Via Pola, 8 I-10135 Torino	Phone Fax	+39 (11) 34733 25 +39 (11) 39133 56	dibello.e@ma-in.com www.ma-in.com
Italy	Assyservice	Via Chieppara, 14 int. 1 45011 Adria (RO)	Phone Fax	+39 (426) 1903888 +39 (426) 1903694	info@assyservice.com www.assyservice.com
Latvia	Techvitas SIA	38 Daugavas Street 2167 Marupe, Marupes nov.	Phone	+371 (22) 325004	info@techvitas.lv www.techvitas.com
Lithuania	Techvitas UAB	Dubysos str. 66A 94107 Klaipeda	Phone	+370 46355494	info@techvitas.lt www.techvitas.com
Luxembourg	Bauer Gear Motor Europe GmbH Office Belgium	p/a Regus Pastoor Cooremansstraat 3 1702 Groot-Bijgaarden / Belgium	Phone Fax	+32 (0) 28937280	info.be@bauergears.com www.bauergears.com
Macedonia	Indas Industry Assistance d.o.o.	Heroja Pinkija 95 21000 Novi Sad / Serbia and Montenegro	Phone Fax	+381 (21) 4804800 +381 (21) 4804808	office@indas.rs www.indas.rs
Netherlands	Bauer Gear Motor Europe GmbH Office Belgium	p/a Regus Pastoor Cooremansstraat 3 1702 Groot-Bijgaarden / Belgium	Phone	+32 (0) 28937280	info.be@bauergears.com www.bauergears.com
Netherlands	Facta Friesland BV	De Alde Mar 11 9035 VP Dronryp	Phone Fax	+31 (0)517 231232	friesland@facta.nl www.facta.nl
Netherlands	De Bruyn B.V.	Van Konijnenburgweg 105 4612 PL Bergen op Zoom	Phone Fax	+31 (164) 234302 +31 (164) 255140	repair@de-bruyn.nl www.de-bruyn.nl
Netherlands	Facta Zevenhuizen BV	Nijverheidscentrum 36 2761 JP Zevenhuizen	Phone	31 (88) 7384702	zevenhuizen@facta.nl www.facta.nl
Netherlands	Facta Nederweert BV	Pannenweg 208 6031 RK Nederweert	Phone Fax	+31 (495) 634141	31 (88) 7384702 www.facta.nl
Netherlands	Facta Uitgeest BV	Westerwerf 11 1911 JA Uitgeest	Phone Fax	+31 (88) 6000200	uitgeest@facta.nl www.facta.nl
Netherlands	Facta Staphorst BV	Roelof Brinkstraat 3 7951 DW Staphorst	Phone Fax	+31 (88) 7384700	staphorst@facta.nl www.facta.nl
Netherlands	Facta Appingedam BV	Holepolder 1 9902 SM Appingedam	Phone	+31 (88) 7384700	appingedam@facta.nl www.facta.nl
Norway	BAUER Gearmotorer AS	Postboks 221 2021 Skedsmokorset	Phone	+47 (63) 875950	bauergear@bauergear.no www.bauergear.no
Poland	Steinlen Polska Sp. z o.o.	ul. W. Grabskiego 4/8 63-500 Ostrzeszów	Phone Fax	+48 (62) 7322352 +48 (62) 7322351	biuro@steinlenpolska.pl www.steinlenpolska.pl
Portugal	TEM S.L. Bauer Gear Center Transmisiones Electromecánicas, S.L.	Pol. Industrial Les Comes Calle Italia 11 Nave 9 08700 Igualada (Barcelona) / Spain	Phone Fax	+34 (93) 8056021 +34 (93) 8056022	info@tem-sl.com www.tem-sl.com
Romania	BIBUS SES srl	Calea Lugojului 134/1 307200 Ghiroda, Timis	Phone	+40 (256) 200500	office@bibus.ro www.bibus.ro
Serbia and Montenegro	Indas Industry Assistance d.o.o.	Heroja Pinkija 95 21000 Novi Sad	Phone Fax	+381 (21) 4804800 +381 (21) 4804808	office@indas.rs www.indas.rs
Slovakia	Bauer Gear Motor Slovakia	Továrenská 49 953 36 Zlaté Moravce	Phone Fax	+421 (37) 6926158 +421 (37) 6926181	bauer.sk@bauergears.com www.bauergears.com
Slovakia	Transmisie Engineering a.s.	P. Mudrona 10 036 01 Martin	Phone	+421 (43) 4133157	dps@transmisie.sk www.transmisie.sk
Slovenia	TALER ING d.o.o.	Jelovška cesta 43A 4264 Bohinjska Bistrica	Phone Fax	+386 (4) 5747128 +386 (4) 5747129	info@taler-ing.si www.taler-ing.si
Spain	TEM S.L. Bauer Gear Center Transmisiones Electromecánicas, S.L.	Pol. Industrial Les Comes Calle Italia 11 Nave 9 08700 Igualada (Barcelona) / Spain	Phone Fax	+34 (93) 8056021 +34 (93) 8056022	info@tem-sl.com www.tem-sl.com
Sweden	BAUER Gearmotorer Sverige AB	Årjängsvägen 4 66693 Gustavsfors	Phone Fax	+46 (531) 20050 +46 (531) 20040	postmaster@bauergear.net
Switzerland	Küffer Elektro-Technik AG	Industrie Neu Hof 31 3422 Kirchberg	Phone	+41 (34) 4452626	info@ketag.ch www.ketag.ch
Switzerland	Electro-Müller AG	Industriestr. 25 2555 Brügg	Phone Fax	+41 (32) 3441010 +41 (32) 3441019	info@electro-mueller.ch www.electro-mueller.ch
United Kingdom	Bauer Gear Motor Limited	Unit1 Nat Lane Business Park CW7 3BS Winsford	Phone Fax	+44 (1606) 868600 +44 (1606) 868603	info.uk@bauergears.com www.bauergears.com



Eastern Europe



Armenia	Bauer Gear Motor GmbH	Eberhard-Bauer-Str. 37 73734 Esslingen / Germany	Phone	+49 (711) 3518 0	info@bauergears.com
			Fax	+49 (711) 3518 381	www.bauergears.com
Azerbaijan	Bauer Gear Motor GmbH	Eberhard-Bauer-Str. 37 73734 Esslingen / Germany	Phone	+49 (711) 3518 0	info@bauergears.com
			Fax	+49 (711) 3518 381	www.bauergears.com
Georgia	Bauer Gear Motor GmbH	Eberhard-Bauer-Str. 37 73734 Esslingen / Germany	Phone	+49 (711) 3518 0	info@bauergears.com
			Fax	+49 (711) 3518 381	www.bauergears.com
Kazakhstan	Bauer Gear Motor GmbH	Eberhard-Bauer-Str. 37 73734 Esslingen / Germany	Phone	+49 (711) 3518 0	info@bauergears.com
			Fax	+49 (711) 3518 381	www.bauergears.com
Kazakhstan	Silumin-Vostok	Revolucionnaya st., 10 070010 Ust-Kamenogorsk	Phone	+7 (7232) 558982	info@silumin.kz
			Fax	+7 (7232) 552058	
Ukraine	LLC Industrial Mechanics	Michurina str. 4 Dnepr	Phone	+38 (099) 1194979	director@ind-mech.com
			Fax		www.ind-mech.com
Uzbekistan	Bauer Gear Motor GmbH	Eberhard-Bauer-Str. 37 73734 Esslingen / Germany	Phone	+49 (711) 3518 0	info@bauergears.com
			Fax	+49 (711) 3518 381	www.bauergears.com



Middle East & Africa



Bahrain	KUHNEZUG AG	C-1401, 14th Floor Ontario Tower Business Bay Dubai / United Arab Emirates	Phone Fax	+971 (4) 5722117 +971 (4) 2567 125	info@kuhnezugag.com www.kuhnezugag.ae
Botswana	Bauer a Division of Hudaco Trading (Pty) Ltd.	72 Acacia Road 1401 Primrose / South Africa	Phone Fax	+27 (11) 8289715 +27 (11) 8224135	home@gbauer.co.za www.gbauer.co.za
Ethiopia	KUHNEZUG AG	C-1401, 14th Floor Ontario Tower Business Bay Dubai / United Arab Emirates	Phone Fax	+971 (4) 5722117 +971 (4) 2567 125	info@kuhnezugag.com www.kuhnezugag.ae
India	Bauer Gear Motor GmbH	Eberhard-Bauer-Straße 37 73734 Esslingen / Germany	Phone Fax	+49 (711) 35180 +49 (711) 3518381	info@bauergears.com www.bauergears.com
India	International Combustion (India) Ltd.	Infinity Benchmark, 11th Floor, Plot – G1, Block – EP & GP, Salt Lake Electronics Complex, 700 091 Kolkata	Phone Fax	+91 (33) 33153000 +91 (33) 23576653	info@internationalcombustion.in
Israel	Greenshpon Engineering Works Ltd.	Bar-Lev Industrial Park 20179 Misgav	Phone Fax	+972-4-9913181 +972-4-9913477	info@greenshpon-eng.com www.greenshpon-eng.com
Jordan	KUHNEZUG AG	C-1401, 14th Floor Ontario Tower Business Bay Dubai / United Arab Emirates	Phone Fax	+971 (4) 5722117 +971 (4) 2567 125	info@kuhnezugag.com www.kuhnezugag.ae
Kuwait	KUHNEZUG AG	C-1401, 14th Floor Ontario Tower Business Bay Dubai / United Arab Emirates	Phone Fax	+971 (4) 5722117 +971 (4) 2567 125	info@kuhnezugag.com www.kuhnezugag.ae
Mozambique	Bauer a Division of Hudaco Trading (Pty) Ltd.	72 Acacia Road 1401 Primrose / South Africa	Phone Fax	+27 (11) 8289715 +27 (11) 8224135	home@gbauer.co.za www.gbauer.co.za
Namibia	Bauer a Division of Hudaco Trading (Pty) Ltd.	72 Acacia Road 1401 Primrose / South Africa	Phone Fax	+27 (11) 8289715 +27 (11) 8224135	home@gbauer.co.za www.gbauer.co.za
Oman	KUHNEZUG AG	C-1401, 14th Floor Ontario Tower Business Bay Dubai / United Arab Emirates	Phone Fax	+971 (4) 5722117 +971 (4) 2567 125	info@kuhnezugag.com www.kuhnezugag.ae
Qatar	KUHNEZUG AG	C-1401, 14th Floor Ontario Tower Business Bay Dubai / United Arab Emirates	Phone Fax	+971 (4) 5722117 +971 (4) 2567 125	info@kuhnezugag.com www.kuhnezugag.ae
Saudi Arabia	KUHNEZUG AG	C-1401, 14th Floor Ontario Tower Business Bay Dubai / United Arab Emirates	Phone Fax	+971 (4) 5722117 +971 (4) 2567 125	info@kuhnezugag.com www.kuhnezugag.ae
South Africa	Bauer a Division of Hudaco Trading (Pty) Ltd.	72 Acacia Road 1401 Primrose	Phone Fax	+27 (11) 8289715 +27 (11) 8224135	johnB@gbauer.co.za
Swaziland	Bauer a Division of Hudaco Trading (Pty) Ltd.	72 Acacia Road 1401 Primrose	Phone Fax	+27 (11) 8289715 +27 (11) 8224135	johnB@gbauer.co.za
Syrian Arab Republic	KUHNEZUG AG	C-1401, 14th Floor Ontario Tower Business Bay Dubai / United Arab Emirates	Phone Fax	+971 (4) 5722117 +971 (4) 2567 125	info@kuhnezugag.com www.kuhnezugag.ae
Turkey	CEFIP - Makina & Endüstriyel Ürünler San. ve Dis Tic. Ltd. Sti.	Perpa Ticaret Merkezi A Blok Kat: 2 No: 9-0033 34384 Okmeydani - Istanbul	Phone Fax	+90 (212) 2101890 +90 (212) 2101597	cefip@cefip.com.tr www.cefip.com.tr
Turkey	CEFIP- Consulting & Engineering für Industrie-Produkte GmbH	Heidstraße 80 44649 Herne / Germany	Phone Fax	+49 (2325) 972580 +49 (2325) 9725825	contact@cefip.de www.cefip.de
United Arab Emirates	KUHNEZUG AG	C-1401, 14th Floor Ontario Tower Business Bay Dubai / United Arab Emirates	Phone Fax	+971 4 2525711 +971 4 2567125	info@kuhnezugag.com www.kuhnezugag.ae
Yemen	KUHNEZUG AG	C-1401, 14th Floor Ontario Tower Business Bay Dubai / United Arab Emirates	Phone Fax	+971 (4) 5722117 +971 (4) 2567 125	info@kuhnezugag.com www.kuhnezugag.ae
Zimbabwe	Bauer a Division of Hudaco Trading (Pty) Ltd.	72 Acacia Road 1401 Primrose / South Africa	Phone Fax	+27 (11) 8289715 +27 (11) 8224135	home@gbauer.co.za www.gbauer.co.za



APAC



Australia	Altra Industrial Motion Pty Ltd	Unit 1, 11 Penny Place Arndell Park 2148 NSW (Sydney)	Phone	+61 (2) 9622 1333	Philip.Cairns@altramotion.com.au www.altramotion.com
Indonesia	PT. Cahaya Mekar Sejati	Jl. Agung Utara Raya Blok A36 D/46 14350 Jakarta	Phone Fax	+62 (21) 6401803 +62 (21) 64715082	cahkarti@cbn.net.id www.bauergearmotor.com
Japan	Leybold Co., Ltd.	5th Floor, Tokyo Tatemono Bldg 1-9-9, Yaesu 1-Chome, Chuo-Ku 103-0028 Tokyo	Phone Fax	+81 (3) 32721861 +81 (3) 32814490	koki@leybold-kk.com
Korea, Republic Of	Chemiko Trading Co. Ltd.	43,Teheran-ro 38-gil, Gangnam-gu 06222 Seoul	Phone Fax	+82 (2) 5675336 +82 (2) 5541284	chemiko@chol.com www.chemiko.net
Malaysia	AVM DIESEL (M) SDN BHD	No. 20-1, Jalan Kemuning Prima F33/F Kemuning Utama, Seksyen 33 Shah Alam 40400 Selangor	Phone Fax	+60 (3) 51201281 +60 (3) 51201281	sales@avmdiesel.com www.avmdiesel.com
Philippines	Optima Equipment Corporation	G/F OPTIMA Building, 883 J. Aguilar Avenue 1740 Baranggay Pamplona Tres, Las Pinas City	Phone Fax	+63 (2) 86601230 +63 (2) 8695100	vandel@optima-equipment.com
Singapore	AVM Diesel (F.E.) Pte Ltd Gear Centre Southeast Asia	BLK 27 TUAS AVE 13 #01-23 638993 Singapore	Phone Fax	+65 (6) 8636933 +65 (6) 8636900	sales@avmdiesel.com www.avmdiesel.com
Taiwan	Saturn Power Ltd.	28F, No.27-3, Sec.2 Chung Cheng E. Rd. Danshui District 25170 New Taipei City	Phone Fax	+886 (2) 8809 8186 +886 (2) 8809 8187	sales@saturnpowerltd.com www.saturnpowerltd.com
Thailand	Kasetphand Industry Co.,LTD	100 M. 3 SOI Suksawad 76 Suksawad rd. Bangjark, Phrapradaeng 10130 Samutprakarn	Phone Fax	+66 (2) 8176410 +66 (2) 8176437	jaruwat@ksp.co.th www.ksp.co.th
Vietnam	GNN CO., LTD.	33 Hoa hong 2, W. 2 Phu Nhuan District	Phone Fax	+84 (8) 35174923 +84 (8) 35174924	http://www.gnnvietnam.com



C h i n a

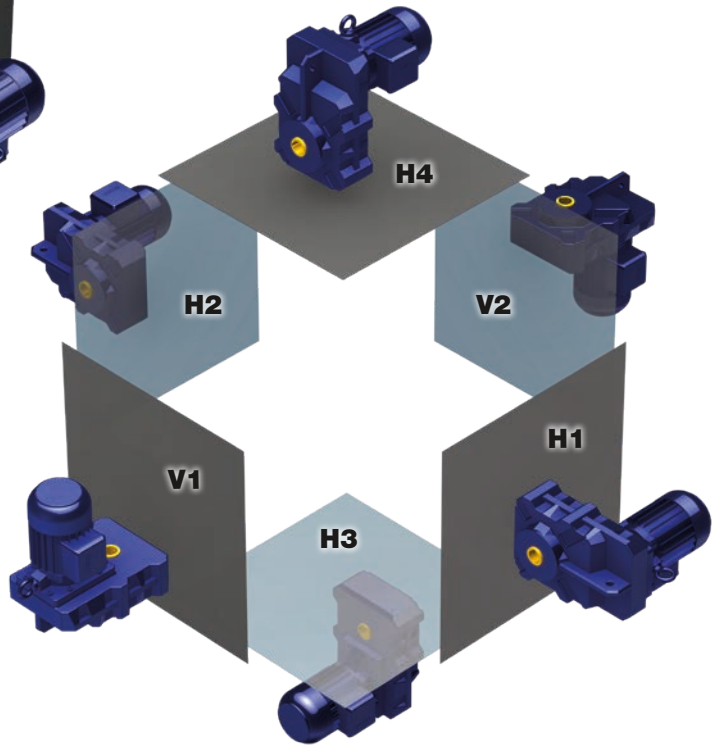
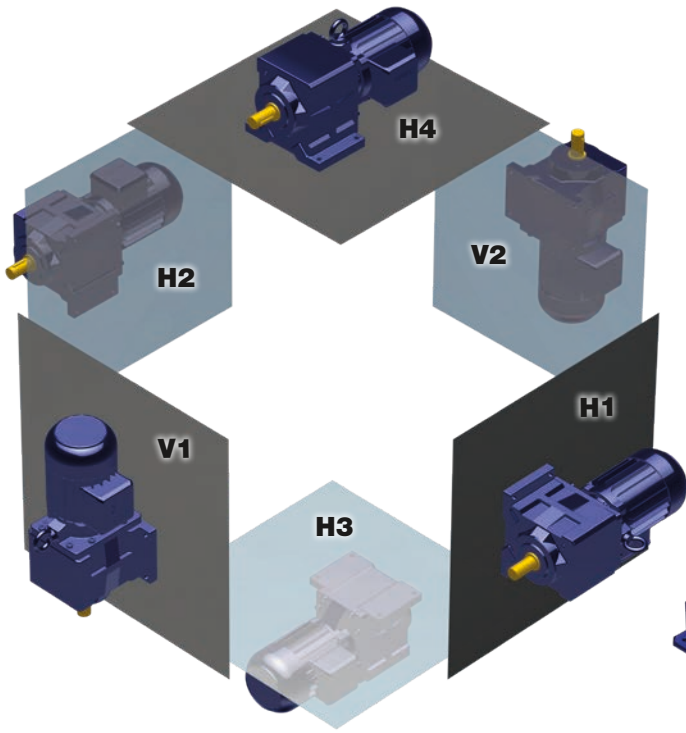


China	Altra Industrial Motion (ShenZhen) Co., Ltd.	Suite 301,#5 Lihpao Plaza 88 Shenbin Road Minhang District 201106 Shanghai	Phone +86 (21) 5169 9255 Fax +86 (21) 6248 5387	info.china@bauergears.com.cn
Hong Kong	A-CALL Company	Flat 8A, 8th Floor Wing Cheong Industrial Building 109 How Ming Street Kwun Tong Kowloon	Phone +852 (27) 930250 Fax +852 (27) 930620	kent@a-call.com.hk www.a-call.com.hk

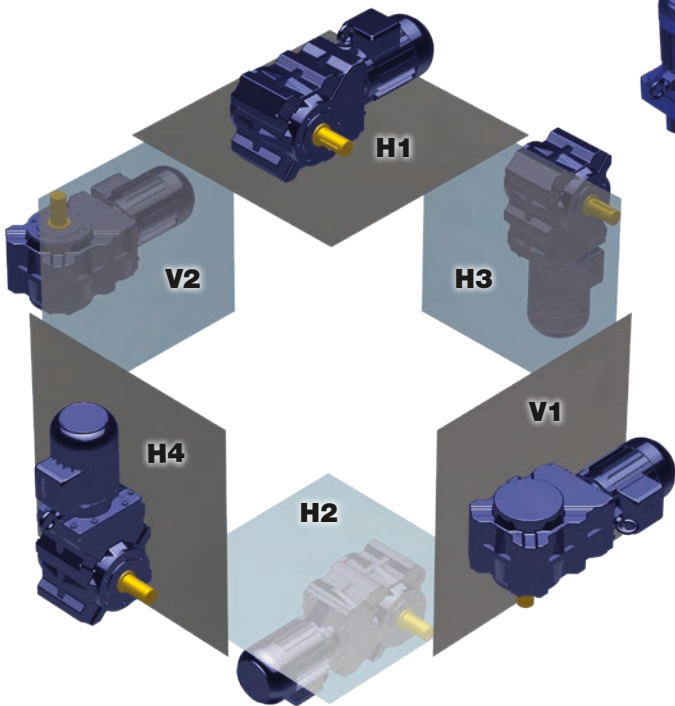
Energy Efficient Geared Motors

AC Line Operated / European Union

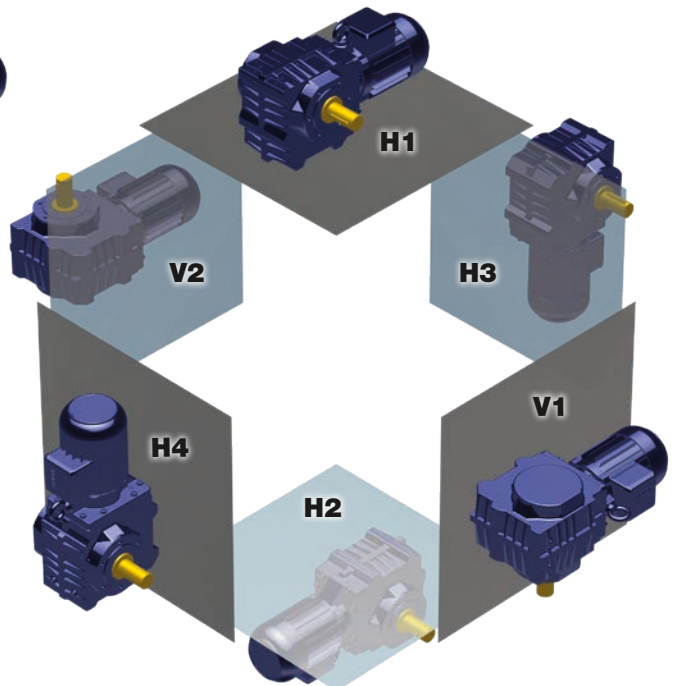
Mounting Positions



Helical Geared Motors



Parallel Shaft Geared Motors



Bevel Geared Motors

Worm Geared Motors

Bauer Gear Motor Facilities

Europe

Germany

Eberhard-Bauer-Str. 37
73734 Esslingen - Germany
+49 711 3518 0

Slovakia

Továrenská 49
953 01 Zlaté Moravce - Slovakia
+421 37 6926100

United Kingdom

Unit 1, Nat Lane Business Park
Winsford, Cheshire
CW7 3BS - United Kingdom
+44 1606 868600

North America

Charlotte, NC

701 Carrier Drive
Charlotte, NC 28216 - USA
+1 800-387-0130

Asia Pacific

China

18 Huanzhen Road,
Dabo Industry Zone ,
Shajing Town - Baoan District,
Shenzhen City
Guangdong Province, China
+86 400 886 0365

Customer Service

Belgium

1702 Groot-Bijgaarden
+32 2 89372080

Finland

01530 Vantaa
+358 207 189700

France

1702 Groot-Bijgaarden
+32 2 89372080

Italy

35020 Padova (PD)
+39 049 8792327

China

Suite 301, #5 Lihpao Plaza,
88 Shen bin Road, Min hang District,
201106 Shanghai, China
Sales Enquiry : +86 (21) 5169 9255
Service hotline : +86 187 0171 2972



Scannen Sie den
QR-Code, um
alle Marken von
Regal Rexnord
anzusehen

Weder die Genauigkeit noch die Vollständigkeit der in dieser Veröffentlichung enthaltenen Informationen werden vom Unternehmen garantiert und können sich nach alleinigem Ermessen des Unternehmens ändern. Die Betriebs- und Leistungseigenschaften dieser Produkte können je nach Anwendung, Installations-, Betriebs- und Umgebungsbedingungen variieren. Die Geschäftsbedingungen des Unternehmens für den Verkauf finden Sie auf <https://www.bauergears.com/terms-and-conditions/sales-terms-and-conditions>. Diese Geschäftsbedingungen gelten für jede Person, die eines der darin genannten Produkte kauft, erwirbt oder verwendet, einschließlich aller Personen, die bei einem für diese Markenprodukte lizenzierten Händler kaufen.

©2024 von Bauer Gear Motor GmbH. Alle Rechte vorbehalten. Alle Warenzeichen in dieser Publikation sind alleiniges und exklusives Eigentum von Bauer Gear Motor GmbH oder einem seiner verbundenen Unternehmen.

Fotos: Fotolia, Adobe Stock, Regal Rexnord und Bauer Archive