



**Control  
Regulate  
Drive**  
with inverter  
driven geared  
motors series  
**EtaK2.0**



 **BAUER GEAR MOTOR™**

A REGAL REXNORD BRAND

## Efficient and ideal for decentral systems

EtaK2.0 geared motors help you cut costs in several areas: in planning and installation, in operation and in maintenance. They help you control the efficiency of your installations, protect your mechanical components and reduce mains loading. In this way EtaK2.0 geared motors make a significant contribution to energy savings and efficiency optimisation in your application.

All EtaK2.0 geared motors are a combination of helical, shaft-mounted, bevel and worm geared motors and a variable frequency drive (VFD). They give you compact drive solutions with continuously variable speed and rated motor power up to 7.5 kW, with the VFD mounted directly on the motor. Thanks to their compact design, the entire drive needs only slightly more installation space than a conventional geared motor.

EtaK2.0 geared motors are smart power components for future-oriented system designs and can easily be adapted to specific working conditions and required process speeds. They are preferably controlled using a field bus system, but they also support control through digital and analogue inputs and outputs. The VFD provides valuable additional information for system protection and monitoring.

- Employing variable speed control usually increases the efficiency of the drive system.
- A variety of control schemes have become established as optimal solutions in different application areas.
- Bauer works with experts to determine the best solution for the control tasks in the application environment for each specific application. For example, the demands in the automobile industry, the metals industry and the food processing industry are distinctly different.
- Bauer's application experts work closely with our system partners to further optimise the electromechanical drive train.





## Flexibility through modular design



### The Drive Unit – power unit with low diversity

- Power units are available in three models with ten power ratings BF1: 3ph. 380–500 V, 0.37 to 1.5 kW  
BF2: 3ph. 380–500 V, 2.2 to 3.0 kW  
BF3: 3ph. 380–500 V, 4.0 to 7.5 kW
- Enclosure IP65



### The Communication Unit – localised functionality

- Communication over CANopen, Profibus, Profinet, EtherCAT, EtherNet/IP and AS-i
- Safety functions in accordance with EN 60204 (STO, SS1)
- I/O signal processing
- Without field bus: I/O via cable glands
- With field bus: bus and two input signals via M12
- Customisable up to 8x M12
- Prefabricated M12 connectors available as accessories



### The Connection Unit – flexible connection options

- Cable glands and various plug-and-socket connectors
- Brake resistor connector
- Control of spring-actuated brake

## Functions and features

<b>Control types</b>	Suitable for asynchronous and synchronous motors
<b>Control algorithms</b>	- VFCpus: V/f control (linear or quadratic) - SLVC: Sensorless vector control (motor speed) - VFCplus eco: Energy-efficient V/f control
<b>Basic functions</b>	User-definable menu Parameter switching DC braking function Trap-and-trace S ramps for gentle acceleration PID controller 3 fixed frequencies Exclusion frequencies
<b>Engineering applications</b>	Variable speed servo drive Switch-off positioning
<b>Überwachung und Schutzmaßnahmen</b>	Short circuit Frame fault Overvoltage Motor phase dropout Overcurrent I <sup>2</sup> t motor monitoring Motor overheating Mains phase dropout Protection against cyclic mains switching Motor stalling
<b>Diagnostics</b>	Data logger, logbook
<b>Status indication</b>	Readily visible LED
<b>Diagnostic interface</b>	Integrated For USB diagnostic adapter or keypad (hand-held terminal)
<b>Bremsbetrieb</b>	Integrated brake management - Integrated brake chopper - Braking resistor accessory module or external braking resistor
<b>Power range</b>	0,75 ..... 7,5 kW
<b>Overload current</b>	200 % (3 s); 150 % (60s)
<b>Wall mounting</b>	Possible



- **Diagnostic interface**  
- For hand-held terminal  
- For PC through USB adapter
- **Potentiometer**  
- For 0–100% speed control
- Large **LED status indicator** for good visibility, even under difficult installation conditions



Hand-held terminal



- All parameter settings are stored in a **memory module** for quick transfer to a new unit in the event of service exchange.
- The memory module can also be duplicated using a copying station.
- Parameter download to memory module through USB adapter

# Communication unit

The communication modules support the following functions:

- VFD control using digital and analogue signals
- VFD control using field bus systems
- Supports Safe Torque Off functionality
- Connection options for sensors and actuators
- Internal 24 V supply for sensor power (max. 100 mA)
- Connections can be made using cable glands and M12 connectors. Up to eight cable glands and/or connectors in total are possible. The individual communication units are provided with suitable connection options according to their functions.

Interfaces							
	Controller enable	Digital inputs	Digital outputs	Relay outputs	Analogue inputs	Safety STO	External 24 V DC supply
	Number	Number	Number	Number	Number	Number	Number
<b>I/O modules</b>							
Standard I/O	1	5	1	1	1		1
<b>Field bus</b>							
AS-i	1	5	1				
CANopen	1	5	1				
EtherCAT	1	5	1				1
EtherNet/IP	1	5	1				1
Profibus	1	5	1				1
Profinet	1	5	1				
<b>Field bus with safety</b>							
AS-i STO	1	5	1	1	1	1	1
CANopen STO	1	5	1	1	1	1	1
EtherCAT STO	1	5	1	1	1	1	1
EtherNet/IP STO	1	5	1	1	1	1	1
Profibus STO	1	5	1	1	1	1	1
Profinet STO	1	5	1	1	1	1	1

## Flexible and versatile

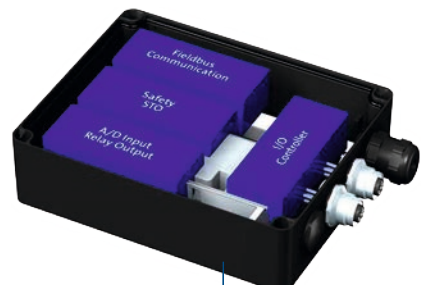
without field bus



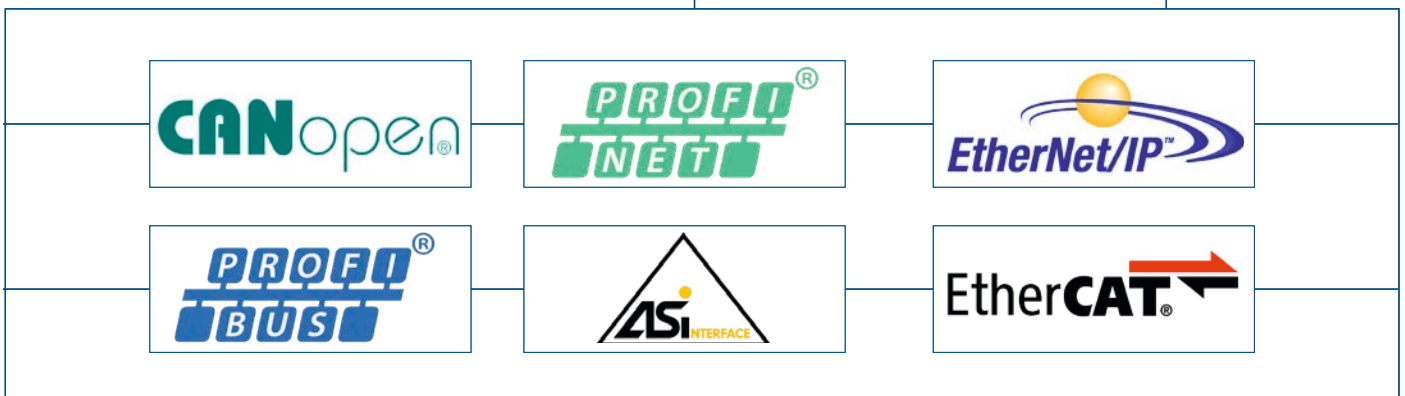
with field bus



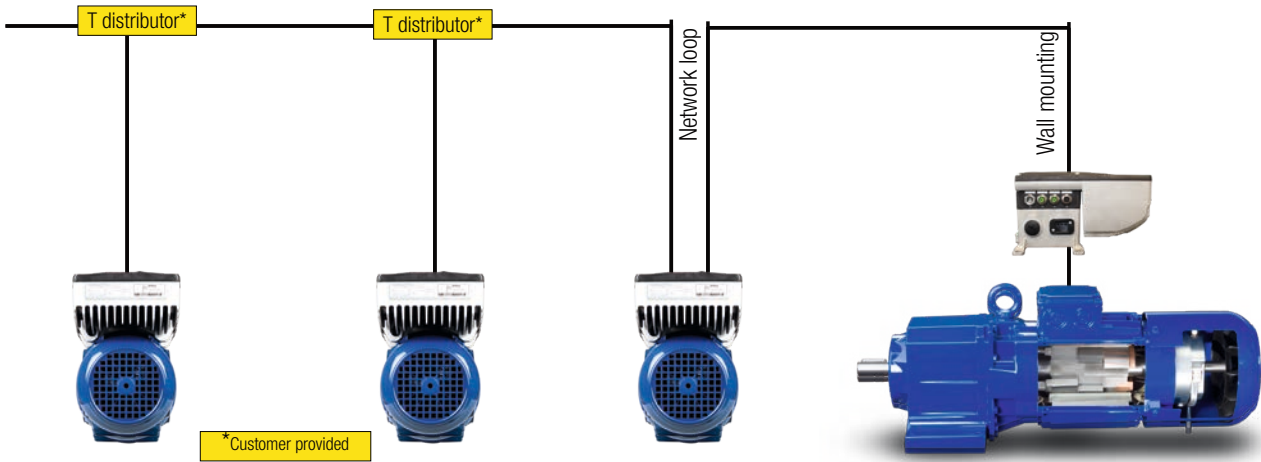
with field bus and STO



supported field busses



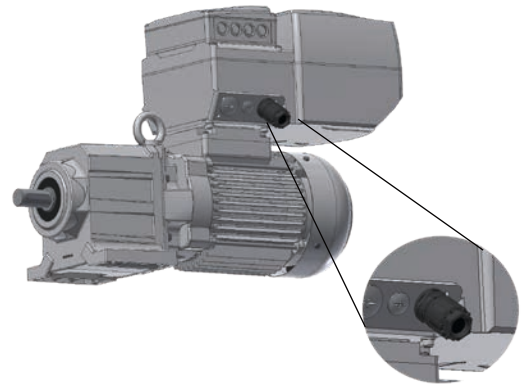
## Power distribution scheme



## Mains connection scheme

Standard

- Up to 7.5 kW
- Mains connection through integrated QuickOn power connector
- Max. load 20 A
- For inverters up to 7.5 kW
- Insulation displacement terminals
- Faster and easier connection



Option

- Up to 3 kW
- Mains connection through integrated M12 power connector
- Max. load 12 A
- For inverters up to 3.0 kW
- Straight and angle mating connectors available
- Pre-wired mating connectors available



## Power bus – alternative connection options (special versions)



## Wall mounting

Up to 3.0 kW

This wall mount option, with or without cable glands, is available for power levels up to **3.0 kW**.



4.0 to 7.5 kW

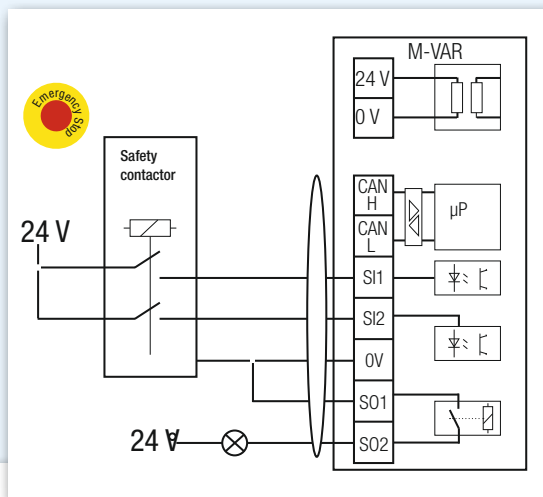
This wall mount option is available for power levels from **4.0 to 7.5 kW**.



## Drive based safety

### Safe Torque Off (STO)

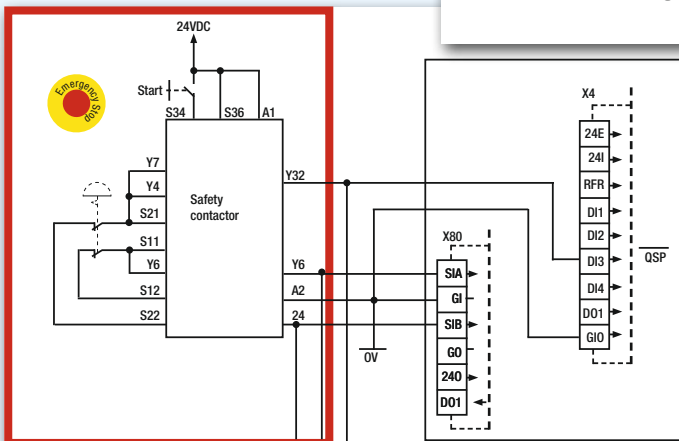
Corresponds to EN 60204 stop category 0. Power to the drive is cut off immediately and the drive is brought to an uncontrolled stop. PL e Cat. 4 according to EN ISO 13849-1



### Advantages

- Mains contactor not necessary
- Fast restart
- Selective switch-off
- Communication remains active

\* Additional safety contactor



### Safe Stop 1 (SS1)

Corresponds to EN 60204 stop category 1. The drive is brought to a controlled stop, and then the STO safety function is activated. PL e Cat. 4 according to EN ISO 13849-1



## Compact geared motor solution

- **Adapted motor windings** matched to VFD for optimised efficiency
- **Optimised motor parameters** over the entire speed and torque range
- Motor and VFD **combinations surpass** IES 2 system efficiency class according to EN 50598-2 and IEC 61800-9-2
- **All necessary options** integrated very compactly, including safety functions

## Motor combinations

### Permanent magnet synchronous motors (PMSM)

$P_N$ [kW]	Type	$n_N$ [rpm]	$P_{VFD}$ [kW]
0,55	S08MA4	3000	0,55
0,55	S08MA4	1500	0,55
0,75	S08MA4	3000	0,75
0,75	S08MA4	1500	0,75
1,1	S08MA4	3000	1,1
1,1	S08LA4	1500	1,1
1,5	S08MA4	3000	1,5
1,5	S08LA4	1500	1,5
1,5	S09SA4	1500	1,5
2,2	S08MA4	3000	2,2
2,2	S08LA4	3000	2,2
2,2	S09SA4	1500	2,2
2,2	S09XA4	1500	2,2
3	S08LA4	3000	3
3	S09XA4	1500	3
3	S11SA6	1500	3
4	S09SA4	3000	4
4	S11SA6	1500	4
4	S11MA6	1500	4
5,5	S09XA4	3000	5,5
5,5	S11MA6	1500	5,5
5,5	S11LA6	1500	5,5
7,5	S11SA6	3000	7,5
7,5	S11MA6	3000	7,5
7,5	S11LA6	1500	7,5



### Asynchronous motors (ASM)

$P_N$ 50 Hz [kW]	Type	Base frequency 50 Hz Motor: 350V/50Hz/Y		Base frequency 87 Hz Motor: 202V/50Hz/D	
		$P_{VFD}$ [kW]	$I_N$ [A]	$P_{VFD}$ [kW]	$I_N$ [A]
0.12	DHE06LA4	0.37	1.3	0.37	1.3
0.18	DHE06LA4	0.37	1.3	0.37	1.3
0.25	DHE07LA4	0.37	1.3	0.55	1.8
0.37	DHE08MA4	0.37	1.3	0.75	2.4
0.55	DHE08LA4	0.55	1.8	1.1	3.2
0.75	DHE08XA4	0.75	2.4	1.5	3.9
1.1	DHE09LA4	1.1	3.2	2.2	5.6
1.5	DHE09XA4	1.5	3.9	3	7.3
2.2	DHE09XB4	2.2	5.6	4	9.5
3	DHE11MA4	3	7.3	5.5	13
4	DHE11LA4	4	9.5	7.5	16.5
5.5	DHE11LB4	5.5	13	-	-
7.5	DHE13LA4	7.5	16.5	-	-

The motor combinations listed here are subject to change. Please contact our staff for more information.



## The benefits at a glance

The EtaK2.0 features maximum user friendliness in operation and installation. Especially for decentralised drive solutions, it demonstrates its high efficiency in terms of space, time and energy.

### Space advantages

- Integrated safety technology and field bus communication according to specific needs
- Modular structure minimises spare parts stock

### Time advantages

- Plug-and-socket connectors reduce assembly and installation time – „unpack, plug in and go“
- Easy memory module exchange simplifies series commissioning and enhances availability

### Energy efficiency

- VFC eco mode provides intelligent adjustment of magnetising current
- Energy savings of up to 30% possible under partial load conditions

### Mechanically and electrically robust

- Suited to extremely harsh environments thanks to IP65 enclosure rating

### Added benefits

- 200% overload current (3 s)
- V/f control with or without encoder
- Sensorless vector control
- Short-circuit and frame fault protection
- Direct current braking
- S ramps for gentle acceleration
- Maximum output frequency 300 Hz
- CANopen, Profibus, Profinet, EtherCAT, EtherNet/IP and AS-i
- STO safety function

### A plus for decentral applications

- The EtaK2.0 meets all demands on modern, universally deployable and cost-effective motor/VFD combinations. That makes it the ideal choice for decentral tasks in intralogistics domains, such as airports and distribution centres.

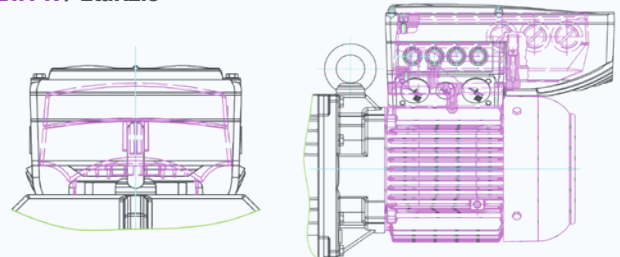
# EtaK2.0

## Eta-K vs. EtaK2.0

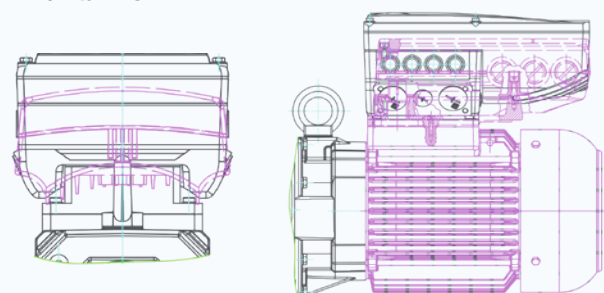
Feature	Eta-K	EtaK2.0
Power range	0.55 kW - 7.5 kW	0.37 kW - 7.5 kW
PMSM enabled	✗	✓
Sensorless vector control	✗	✓
V/f control	✓	✓
Digital inputs	4	5
Digital outputs	1	1 - 2
Analogue in	1	1
Field bus systems	RS 485 Profibus	Profinet EtherCAT CANOpen Profibus AS-i EtherNet/IP
Safety options	✗	✓
Brake chopper	✗	✓
Brake resistor	✗	✓
Operating Temperature	-10°C to +40°C	-30°C to +55°C
Overload	160% 60 s	200% 3 s; 150% 60 s
Control of electromechanical brake	External	Optional

## Contour comparison

### D08 asynchronous motor with 0.55 kW inverter ETA-K / EtaK2.0



### D09 asynchronous motor with 1.5 kW inverter ETA-K / EtaK2.0



## ACCESSORIES

Rotary encoder



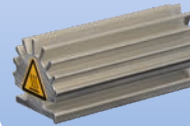
Holding brake



Hand-held terminal



Braking resistor



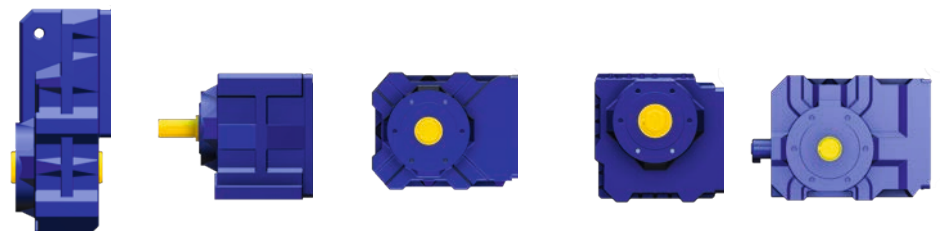
Wall mounting



## TRANSMISSION COMPONENTS



## GEAR UNITS



BF series

BG series

BK series

BS series

BM series


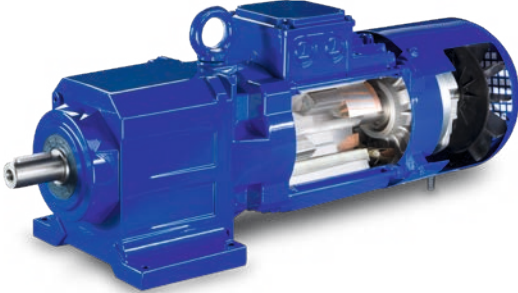
## CONTROL/ COMMUNICATION



Field bus



Digital / Analogue I/O



Permanent-magnet motors

Induction motors

### MOTOR & CONTROL ELECTRONICS

## Bauer Gear Motor Facilities

### Europe

#### Germany

Eberhard-Bauer-Str. 37  
73734 Esslingen - Germany  
+49 711 3518 0

#### Slovakia

Továrenská 49  
953 01 Zlaté Moravce - Slovakia  
+421 37 6926100

#### United Kingdom

Unit 1, Nat Lane Business Park  
Winsford, Cheshire  
CW7 3BS - United Kingdom  
+44 1606 868600

### North America

#### Charlotte, NC

701 Carrier Drive  
Charlotte, NC 28216 - USA  
+1 800-387-0130

### Asia Pacific

#### China

18 Huanzhen Road,  
Dabo Industry Zone ,  
Shajing Town - Baoan District,  
Shenzhen City  
Guangdong Province,China  
+86 400 886 0365

### Customer Service

#### Belgium

1702 Groot-Bijgaarden  
+32 2 89372080

#### Finland

01530 Vantaa  
+358 207 189700

#### France

1702 Groot-Bijgaarden  
+32 2 89372080

#### Italy

35020 Padova (PD)  
+39 049 8792327

#### China

Suite 301, #5 Lihpao Plaza,  
88 Shen bin Road, Min hang District,  
201106 Shanghai, China  
Sales Enquiry : +86 (21) 5169 9255  
Service hotline : +86 187 0171 2972



Scan to see all  
the brands of  
Regal Rexnord

Neither the accuracy nor completeness of the information contained in this publication is guaranteed by the company and may be subject to change in its sole discretion. The operating and performance characteristics of these products may vary depending on the application, installation, operating conditions and environmental factors. The company's terms and conditions of sale can be viewed at <https://www.bauergears.com/terms-and-conditions/sales-terms-and-conditions>. These terms and conditions apply to any person who may buy, acquire or use a product referred to herein, including any person who buys from a licensed distributor of these branded products.

©2024 by Bauer Gear Motor GmbH. All rights reserved. All trademarks in this publication are the sole and exclusive property of Bauer Gear Motor GmbH or one of its affiliated companies.

Images: Fotolia, Adobe Stock, Regal Rexnord and Bauer Archives