

Gear Units with C-Adapter

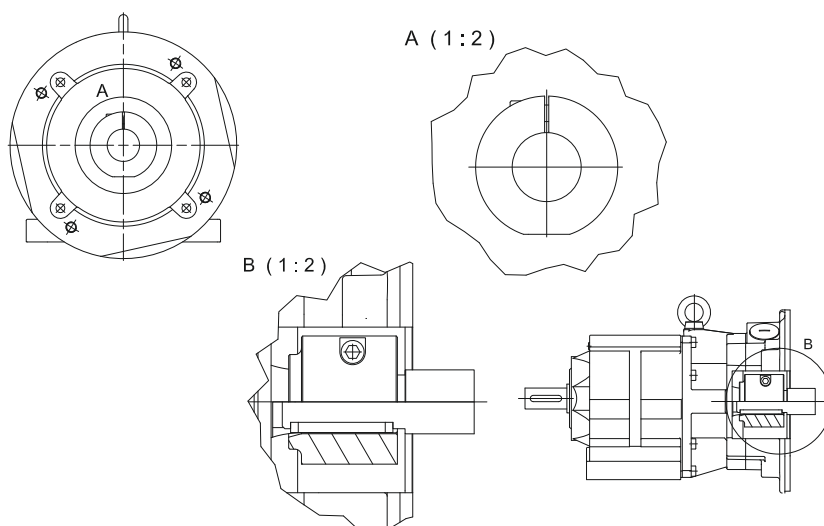
Simple and fast adaptation of standard motors

Cost effective installation!

Characteristics of the C-Adapter:

- Installation space optimised
- Adaptation of IEC standard motors
- Adaptation of NEMA standard motors
- Backlash free torque transmission between motor and gear unit
- Simple assembly and disassembly of the motors
- Protection enclosure IP 54 and IP 65
- According to ATEX standard
- Maintenance-free coupling

The simple and cost effective installation, the minor service necessity and the high efficiency reduce costs throughout the whole life of the drive. The C-adapter provides a cost effective and installation space optimised adaptation of standard IEC and NEMA motors.





Bauer Gear Units with C-Adapter

Cost effective installation!

Bauer Gear Motor supplies modern drive solutions for all industry sectors in which material must be moved.

Gear unit	Adaptable IEC motor sizes																Adaptable NEMA TC motor sizes									
	56	63	71	80	90	100	112	132	160	180	200	225	250	280	56C	143 145	182 184	213	215	254 256	284 286	324 326	364 365	404 405		
BG04	x																									
BG05	x	x																								
BG06	x	x	x	x																						
BG10	x	x	x	x																						
BG15		x	x	x	x																					
BG20		x	x	x	x																					
BG30		x	x	x	x	x	x																			
BG40			x	x	x	x	x																			
BG50			x	x	x	x	x	x	x																	
BG60					x	x	x	x	x																	
BG70					x	x	x	x	x	x	x	x	x	x												
BG80					x	x	x	x	x	x	x	x	x	x												
BG90						x	x	x	x	x	x	x	x	x												
BG100						x	x	x	x	x	x	x	x	x												
BF06		x	x	x																						
BF10		x	x	x	x																					
BF20		x	x	x	x																					
BF30		x	x	x	x	x	x																			
BF40			x	x	x	x	x																			
BF50			x	x	x	x	x	x	x																	
BF60					x	x	x	x	x																	
BF70					x	x	x	x	x	x	x	x	x	x												
BF80					x	x	x	x	x	x	x	x	x	x												
BF90						x	x	x	x	x	x	x	x	x												
BK06	x	x	x	x																						
BK10		x	x	x	x																					
BK20		x	x	x	x																					
BK30		x	x	x	x	x	x																			
BK40			x	x	x	x	x																			
BK50			x	x	x	x	x	x	x																	
BK60					x	x	x	x	x																	
BK70					x	x	x	x	x	x	x	x	x	x												
BK80					x	x	x	x	x	x	x	x	x	x												
BK90								x	x	x	x	x	x	x												
BS02	x	x																								
BS03		x	x	x																						
BS04	x	x																								
BS06	x	x	x	x																						
BS10		x	x	x	x																					
BS20		x	x	x	x																					
BS30		x	x	x	x	x	x																			
BS40			x	x	x	x	x																			
BM09		x	x	x																						