



SERIES 51 / 51 DZ
GEARED CAM LIMIT SWITCHES



Stromag

Founded in 1932, Stromag has grown to become a globally recognized leader in the development and manufacture of innovative power transmission components for industrial drivetrain applications. Stromag engineers utilize the latest design technologies and materials to provide creative, energy-efficient solutions that meet their customer's most challenging requirements.

Stromag's extensive product range includes flexible couplings, disc brakes, limit switches, an array of hydraulically, pneumatically, and electrically actuated brakes, and a complete line of electric, hydraulic and pneumatic clutches.

Stromag engineered solutions improve drivetrain performance in a variety of key markets including energy, off-highway, metals, marine, transportation, printing, textiles, and material handling on applications such as wind turbines, conveyor systems, rolling mills, agriculture and construction machinery, municipal vehicles, forklifts, cranes, presses, deck winches, diesel engines, gensets and stage machinery.



VISIT US ON THE WEB AT **STROMAG.COM**

VISIT US ON THE WEB AT **REGALREXNORD.COM**



CONTENT

Catalog Series 51 / 51 DZ: I

At a Glance	04
Basic Limit Switch	05
Gear Data	06
Switching Contacts	07
Protective Housing Compact (CxZ) IP65	08
Protective Housing (MxZ) IP66	10
Protective Housing Aluminum (MH) IP65	12
Option: Anti-Condensation-Heating	14
Customizable Cam Discs	15
Option: Drive Flange	16
Option: Potentiometer	17
Option: Analog Encoder	18
Option: Analog Encoder (programmable)	19
Option: Incremental Encoder	20
Option: Absolute Encoder (SSI)	21
Option: CANopen Multiturn Encoder	22
Option: Smart Cam®	23
Option: Electromagnetic Tooth Clutch EZX	24
Key Of Types	25
Explosion Proof Type	26

Stromag Geared Cam Limit Switches

AT A GLANCE



STROMAG SERIES 51

BENEFITS INCLUDE

- Cam adjustment at fixed position inside of the housing
- Large cam disc diameter
- Modular design
- Various housing designs
- Direct drive of incremental and absolute encoders possible

Stromag Geared Cam Limit Switches

Limit Switch Control Current

Planetary Gear Limit Switches

Series 51 – Basic Limit Switch

Revision number: 3.1.1.1-02

Revision date: 10.06.2020

Features

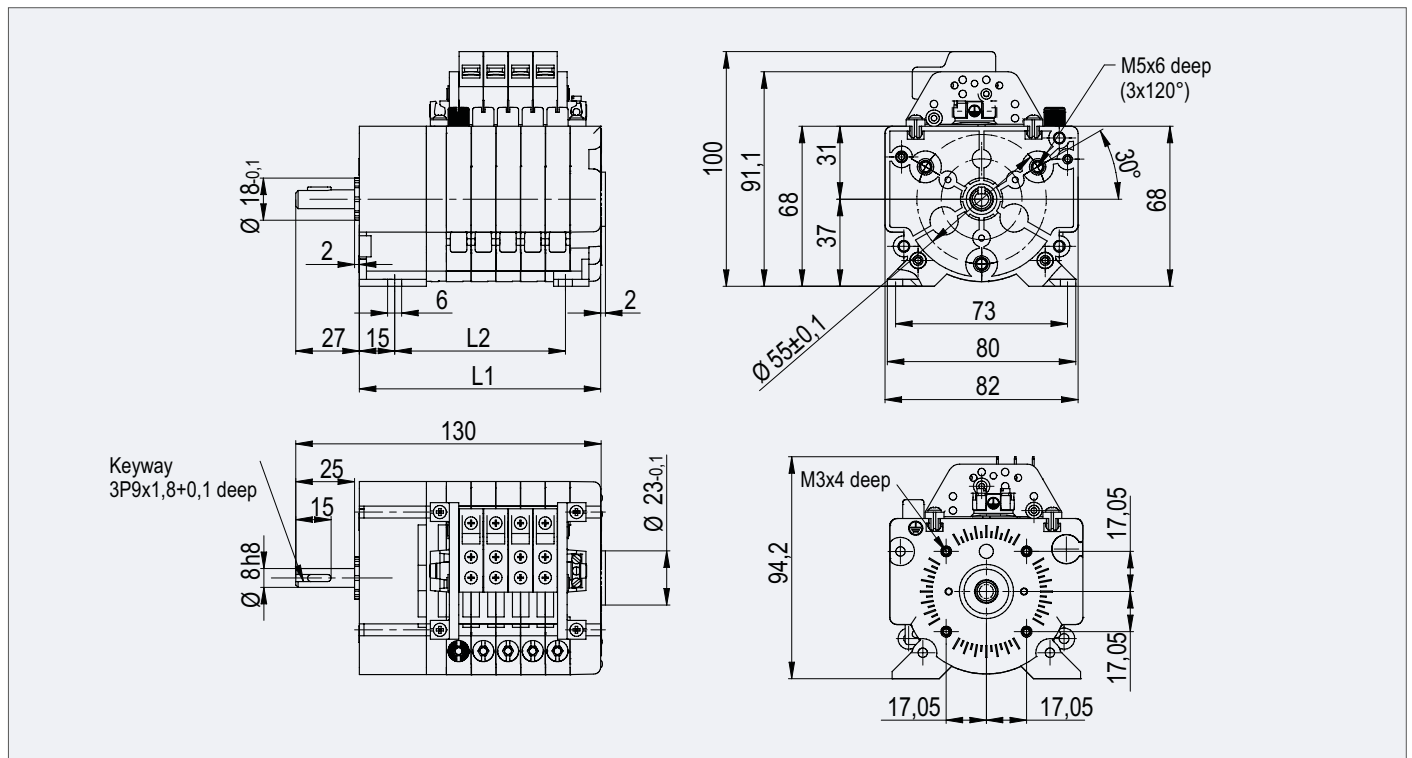
- Patented planetary gear form fit
- Modular design
- Large cam disc diameter 60 mm for high switching point repeatability

Application

- Crane
- Wind
- Stage

Additional information

- IP20 Protection
- For installation in customer housings
- High number of different gear possibilities



Standard gear	DZ gear	Gear size	2 Switching Contacts A		4 Switching Contacts B		6 Switching Contacts C		8 Switching Contacts D	
			L1 [mm]	L2 [mm]	L1 [mm]	L2 [mm]	L1 [mm]	L2 [mm]	L1 [mm]	L2 [mm]
4,1NM	67DZ	1	62,5	32,5	83,5	53,5	104,5	74,5	125,5	95,5
6,5NM	110DZ									
11NM	180DZ									
17,5BM	280DZ	2	73	43	94	64	115	85	136	106
29BM	470DZ									
48BM	770DZ									
75BM	1200DZ	3	81,5	51,5	102,5	72,5	123,5	93,5	144,5	114,5
125BM	2000DZ									
205BM	3300DZ									
323BM	5200DZ	4	90	60	111	81	132	102	153	123
540BM	8700DZ									
880BM	14200DZ									
1384BM		5	98,5	68,5	119,5	89,5	140,5	110,5	161,5	131,5
2288BM										
3735BM										
5900BM		6	107	77	128	98	149	119	170	140
9800BM										
16000BM										

Stromag Geared Cam Limit Switches

Limit Switch Control Current

Planetary Gear Limit Switches

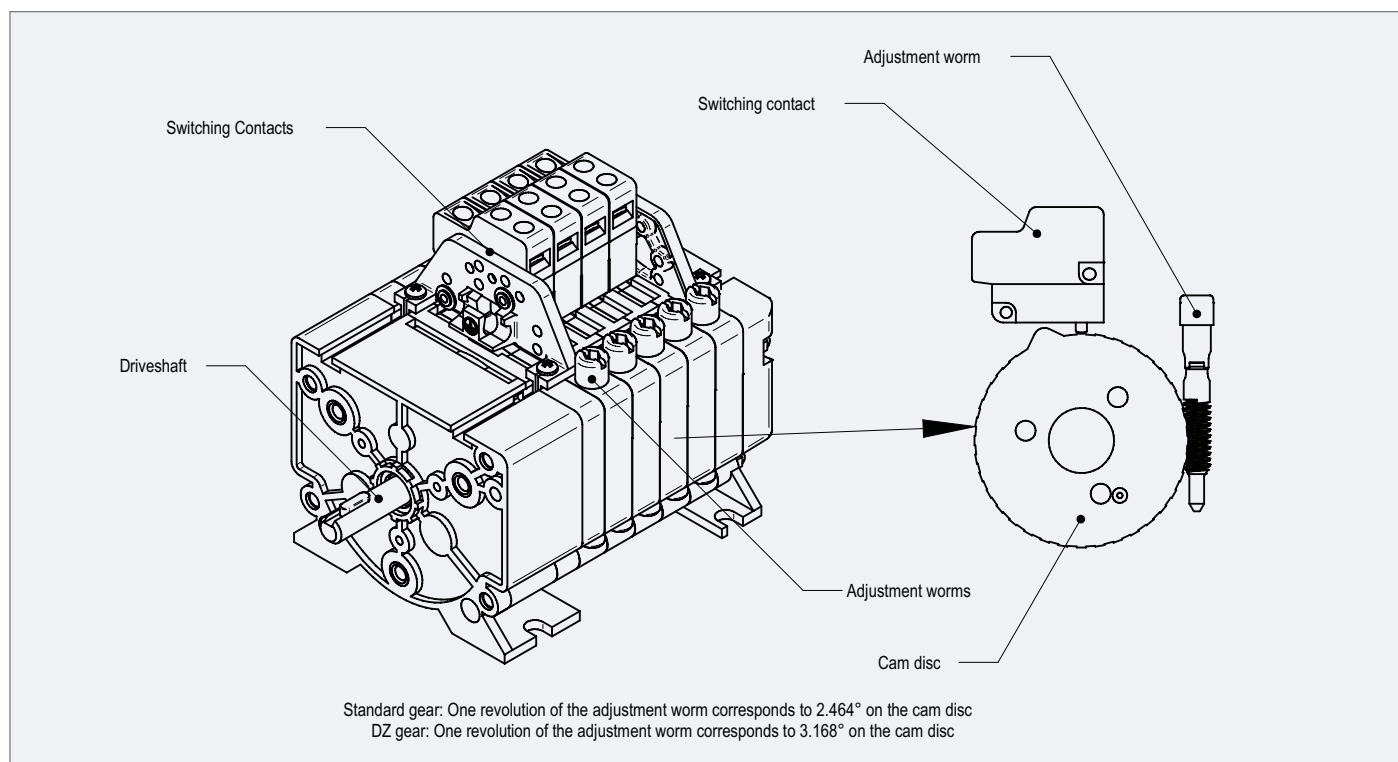
Series 51 – Gear Data

Revision number: 3.1.1.2-03

Revision date: 05.02.2021

Features

- 4.1 up to 16000 nominal revolutions
- Precise and low-wear design
- Usable up to 1800 rpm
- Block adjustment



Gear Data Standard Gear						
Gear size	Nominal revolutions (15° - cam disc)	Nominal revolutions (40° - cam disc)	Gear ratio	Mechanical hysteresis [revolutions at drive shaft]	Max. input speed [rpm]	Min. input speed [rpm] (only when used as a changeover)
1	4,1	3,8	4,286	0,01 – 0,02	1000	0,67
	6,5	6,2	7,085	0,01 – 0,02	1200	1,1
	11	10,2	11,567	0,02 – 0,04	1500	1,8
2	17,5	16,3	18,367	0,03 – 0,06	1800	2,9
	29	26,9	30,362	0,05 – 0,1	1800	4,7
	48	44	49,573	0,08 – 0,16	1800	7,7
3	75	69	78,717	0,13 – 0,3	1800	12,2
	125	115	130,124	0,21 – 0,42	1800	20,2
	205	188	212,456	0,35 – 0,68	1800	33
4	323	299	337,359	0,6 – 1,17	1800	52
	540	495	557,676	0,92 – 1,8	1800	87
	880	809	910,526	1,5 – 2,9	1800	141
5	1384	1285	1445,826	2,4 – 4,7	1800	224
	2288	2124	2390,039	3,9 – 7,7	1800	371
	3735	3468	3902,255	6,5 – 12,7	1800	606
6	5900	5507	6196,398	10,3 – 20,1	1800	-
	9800	9104	10243,025	17,0 – 33,3	1800	-
	16000	14865	16723,951	27,8 – 54,2	1800	-

Gear Data DZ Gear						
Gear size	Nominal revolutions (15° - cam disc)	Nominal revolutions (40° - cam disc)	Gear ratio	Mechanical hysteresis [revolutions at drive shaft]	Max. input speed [rpm]	Min. input speed [rpm] (only when used as a changeover)
1	67	62	70,000	0,11 – 0,22	1800	10,9
	110	102	115,714	0,19 – 0,4	1800	18
	180	167	188,929	0,31 – 0,6	1800	29,4
2	280	266	300,000	0,5 – 1,0	1800	46,7
	470	440	495,918	0,84 – 1,7	1800	77,1
	770	719	809,694	1,35 – 2,6	1800	125
3	1200	1142	1285,714	2,1 – 4,1	1800	199
	2000	1889	2125,364	3,5 – 10,3	1800	330
	3300	3084	3470,117	5,5 – 11,3	1800	539
4	5200	4897	5510,204	9,1 – 17,8	1800	856
	8700	8096	9108,705	15,1 – 29,5	1800	1415
	14200	13219	14871,928	24,7 – 48,2	1800	-

Stromag Geared Cam Limit Switches

Limit Switch Control Current

Planetary Gear Limit Switches

Series 51 – Switching Contacts

Revision number: 3.1.1.3-03

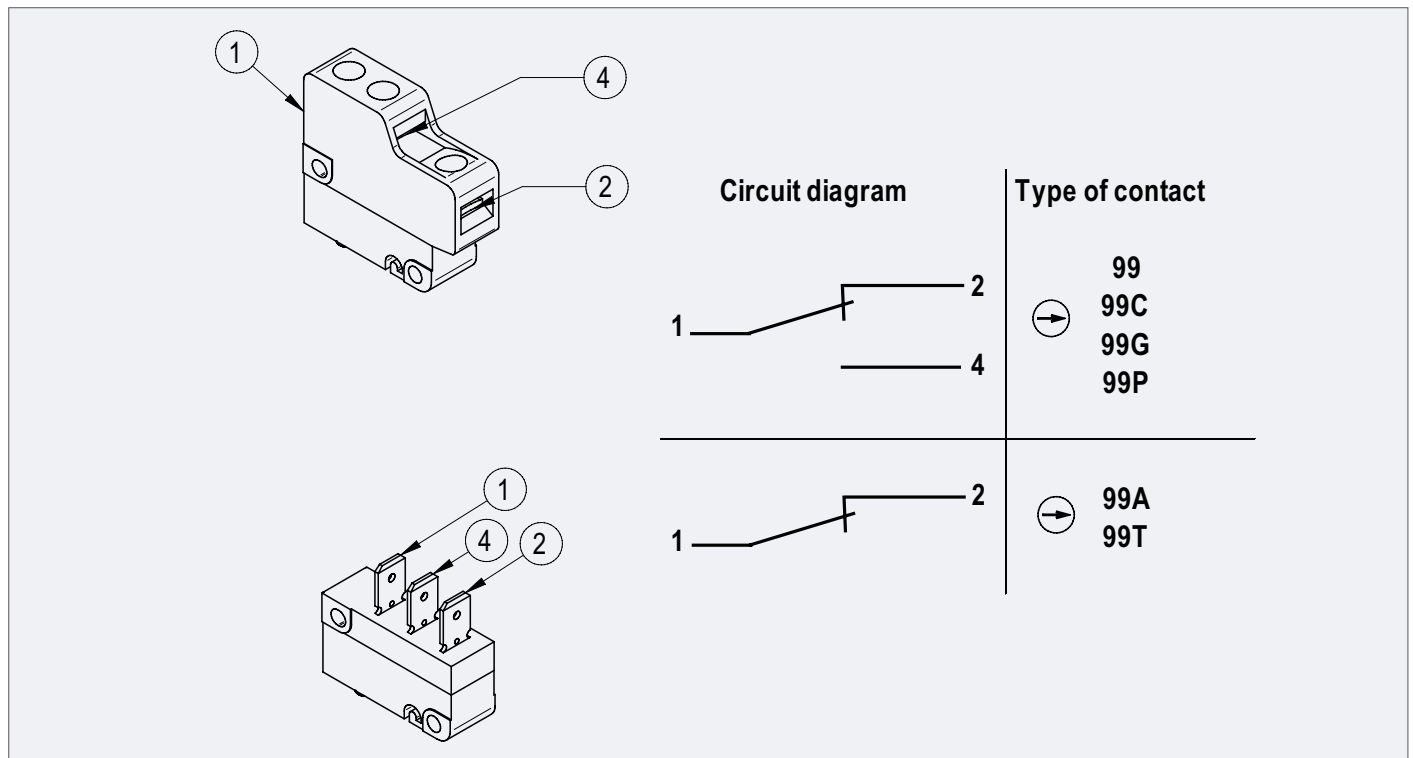
Revisionsdatum: 08.11.2022

Features

- Contacts with positive opening
- For up to 10 million switching operations
- Screw or flat plug connection
- Push or snap action contacts

Application

- Corrosion-free, gold-plated switching contacts with low contact resistances for smaller switching loads on request



Switching Contact			Contact Material		Switching System		Connection				Function		Electrical Data		
Designation	Circuit as a changeover	Circuit as an NC contact	Silver	Gold (PLC application)	Snap action switch	Push action switch	Screw terminals; 0.5 - 1.5 mm ² / AWG 16 ... 22	Flat plugs 6.3 mm	Soldering pins	Stranded wire output	Positive opening acc. to EN 60947-5-1 Annex K	Short-circuit protection	Utilization category acc. to IEC 60947	Conventional thermal current I _{th}	Rated Insulation Voltage U _i
99	•		•		•		•				•	10 A gG	AC-15: 1.5 A, 230 V DC-13: 0.5 A, 60 V	10 A	250 V
99P	•		•		•		•			•	10 A gG				
99G	•			•	•					•	2 A gR				
99T		•	•			•				•	10 A gG				
99A		•		•		•				•	2 A gR				
99C	•		•		•				•	•	10 A gG				

• = applicable

Stromag Geared Cam Limit Switches

Limit Switch Control Current

Planetary Gear Limit Switches

Series 51 – Protective Housing Compact (CxZ) IP65

Revision number: 3.1.1.4-01

Revision date: 19.11.2019

Features

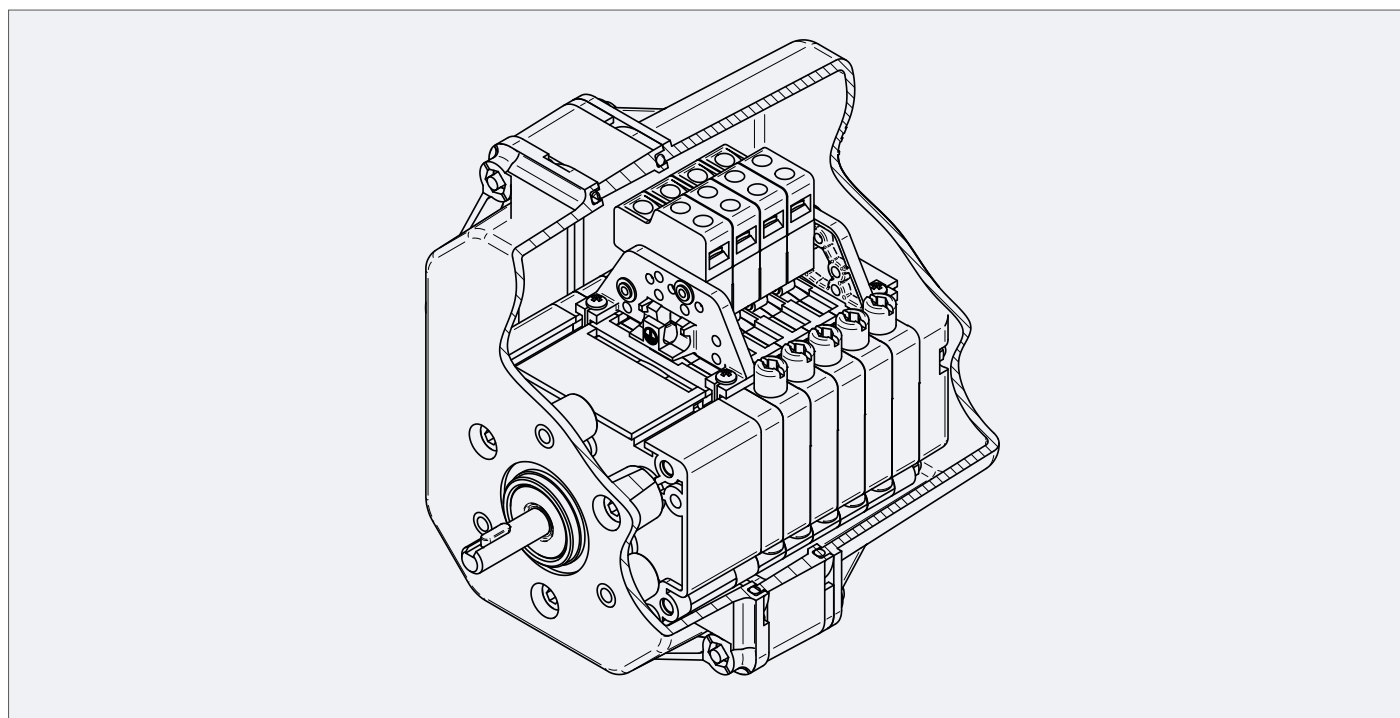
- Small modular housing for outdoor application
- Reinforced polycarbonate
- IP65 Protection

Application

- For crane and stage application

Additional information

- Possibility of integration of potentiometers, analog sensors, incremental encoders and small absolute encoders



Standard gear	DZ gear	Gear size	2 Switching Contacts A		4 Switching Contacts B		6 Switching Contacts C		8 Switching Contacts D	
			L1 [mm]	# Spacers	L1 [mm]	# Spacers	L1 [mm]	# Spacers	L1 [mm]	# Spacers
4,1NM	67DZ	1	106	0	106	0	131	1	156	2
6,5NM	110DZ									
11NM	180DZ									
17,5BM	280DZ	2	106	0	131	1	156	2	181	3
29BM	470DZ									
48BM	770DZ									
75BM	1200DZ	3	106	0	131	1	156	2	181	3
125BM	2000DZ									
205BM	3300DZ									
323BM	5200DZ	4	131	1	152	2	156	2	181	3
540BM	8700DZ									
880BM	14200DZ									
1384BM		5	131	1	152	2	181	3	206	4
2288BM										
3735BM										
5900BM		6	131	1	152	2	181	3	206	4
9800BM										
16000BM										

Stromag Geared Cam Limit Switches

Limit Switch Control Current

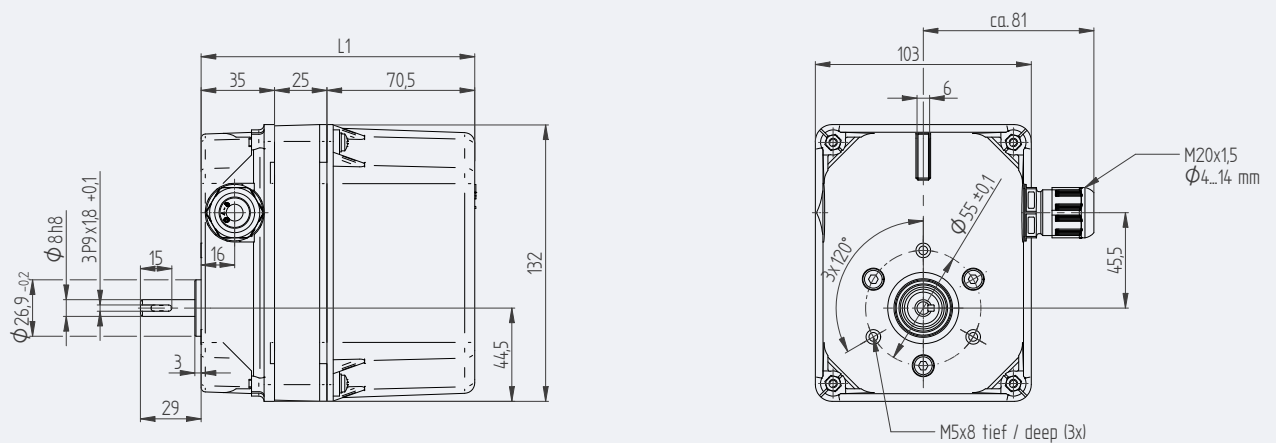
Planetary Gear Limit Switches

Series 51 – Protective Housing Compact (CxZ) IP65

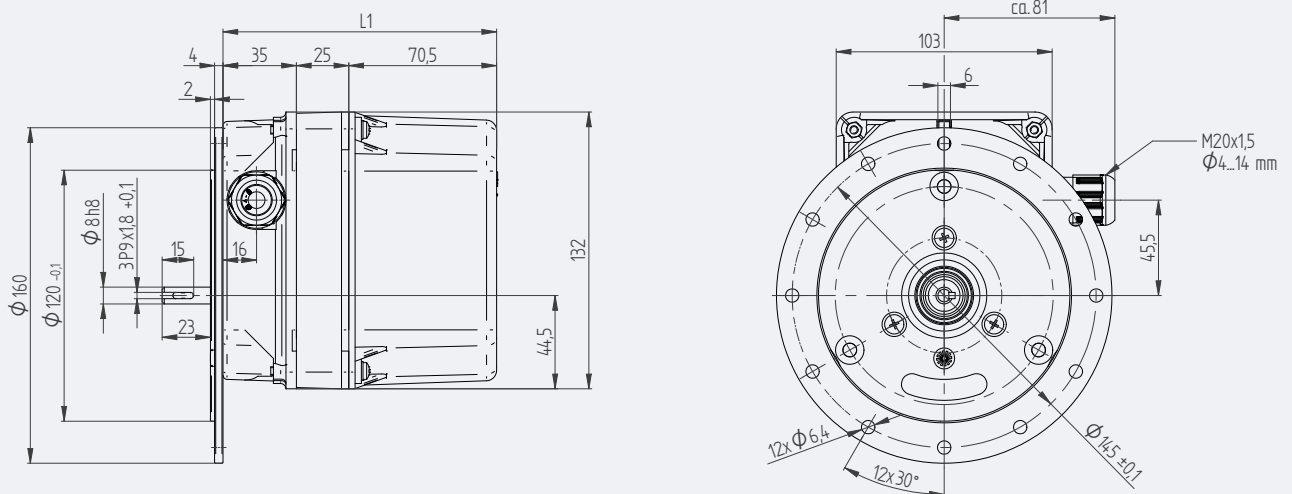
Revision number: 3.1.1.4-01

Revision date: 19.11.2019

Type B14



Type B5



Stromag Geared Cam Limit Switches

Limit Switch Control Current

Planetary Gear Limit Switches

Series 51 – Protective Housing (MxZ) IP66

Revision number: 3.1.1.5-01

Revision date: 19.11.2019

Features

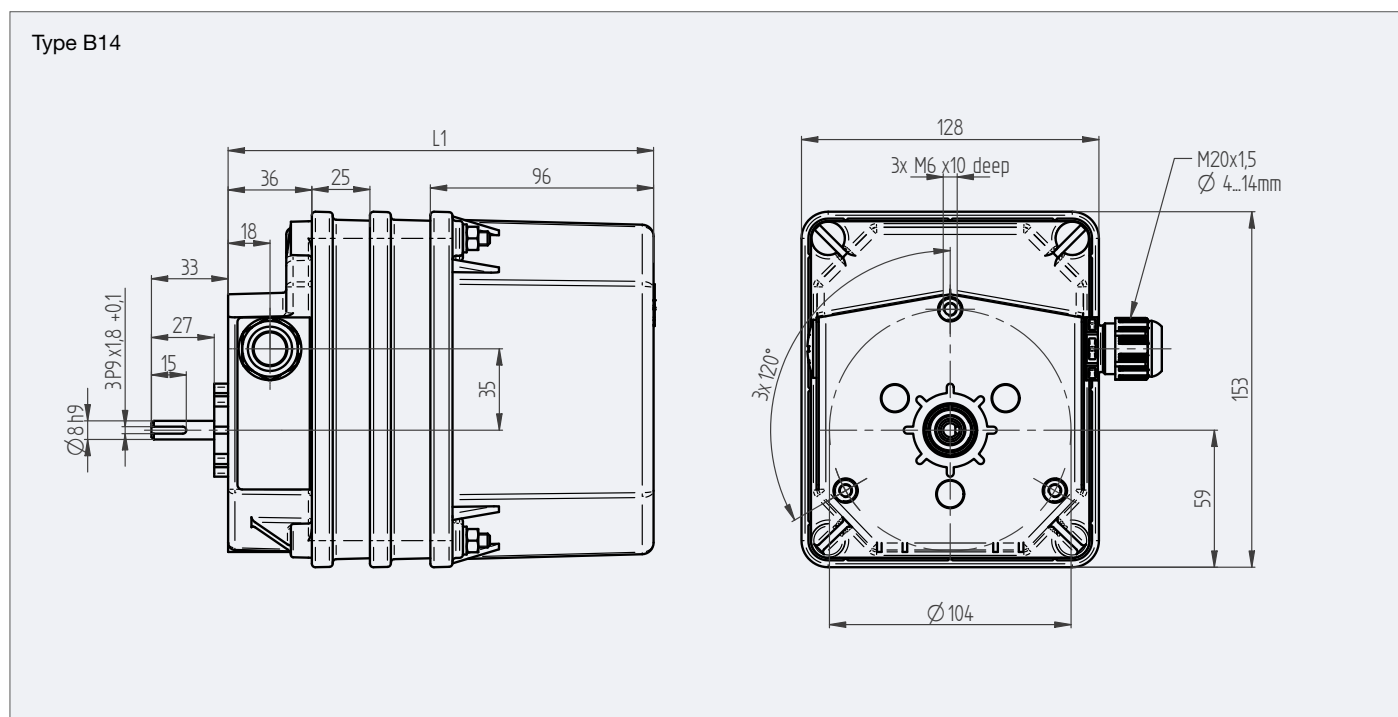
- Modular housing for outdoor application
- Reinforced polycarbonate
- IP66 Protection

Application

- Crane
- Wind
- Stage

Additional information

- Possibility of integration of potentiometers, analog sensors, incremental encoders and absolute encoders
- Ball bearing for input shaft
- Additional cable glands on request



Standard gear	DZ gear	Gear size	2 Switching Contacts A		4 Switching Contacts B		6 Switching Contacts C		8 Switching Contacts D	
			L1 [mm]	# Spacers	L1 [mm]	# Spacers	L1 [mm]	# Spacers	L1 [mm]	# Spacers
4,1NM	67DZ	1	132	0	132	0	132	0	157	1
6,5NM	110DZ									
11NM	180DZ									
17,5BM	280DZ	2	132	0	132	0	157	1	182	2
29BM	470DZ									
48BM	770DZ									
75BM	1200DZ	3	132	0	132	0	157	1	182	2
125BM	2000DZ									
205BM	3300DZ									
323BM	5200DZ	4	132	0	157	1	182	2	182	2
540BM	8700DZ									
880BM	14200DZ									
1384BM		5	132	0	157	1	182	2	207	3
2288BM										
3735BM										
5900BM		6	157	1	157	1	182	2	207	3
9800BM										
16000BM										

Stromag Geared Cam Limit Switches

Limit Switch Control Current

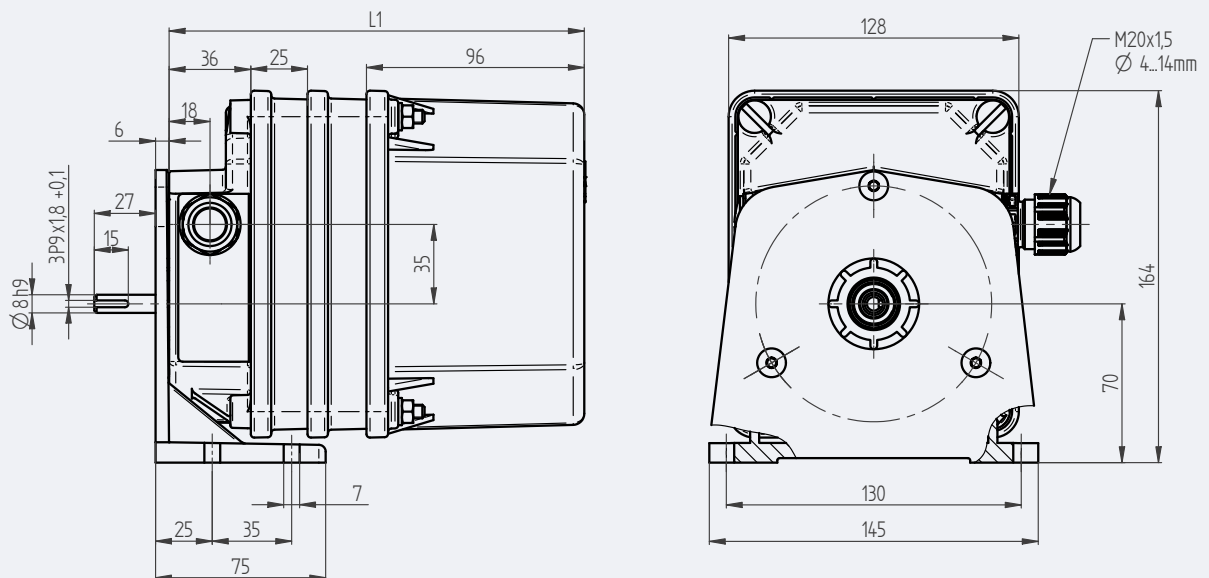
Planetary Gear Limit Switches

Series 51 – Protective Housing (MxZ) IP66

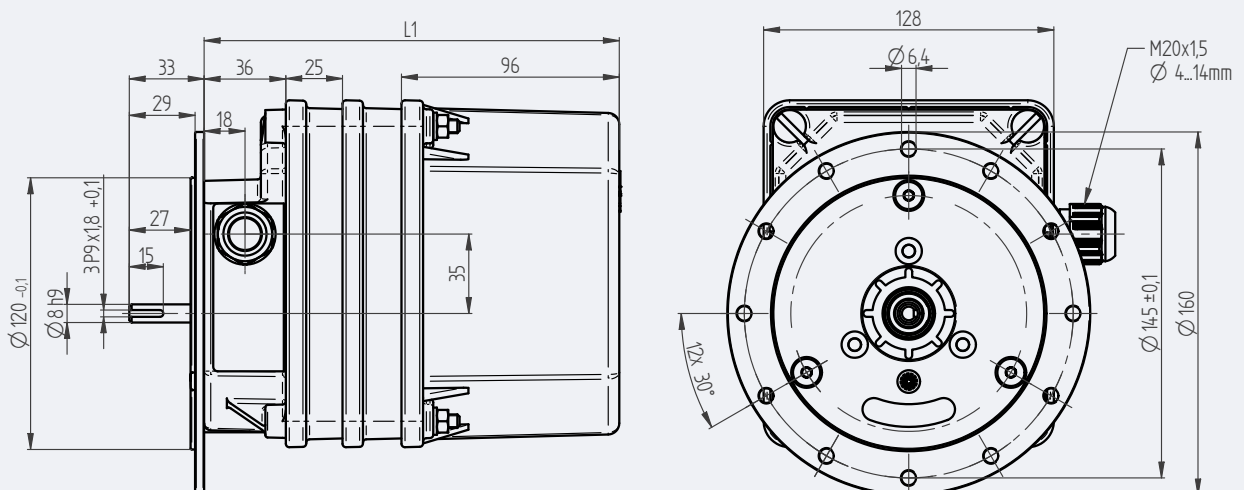
Revision number: 3.1.1.5-01

Revision date: 19.11.2019

Type B3



Type B5



Stromag Geared Cam Limit Switches

Limit Switch Control Current

Planetary Gear Limit Switches

Series 51 – Protective housing “MH” (Aluminum IP65)

Revision number: 3.1.1.6-01

Revision date: 19.11.2019

Features

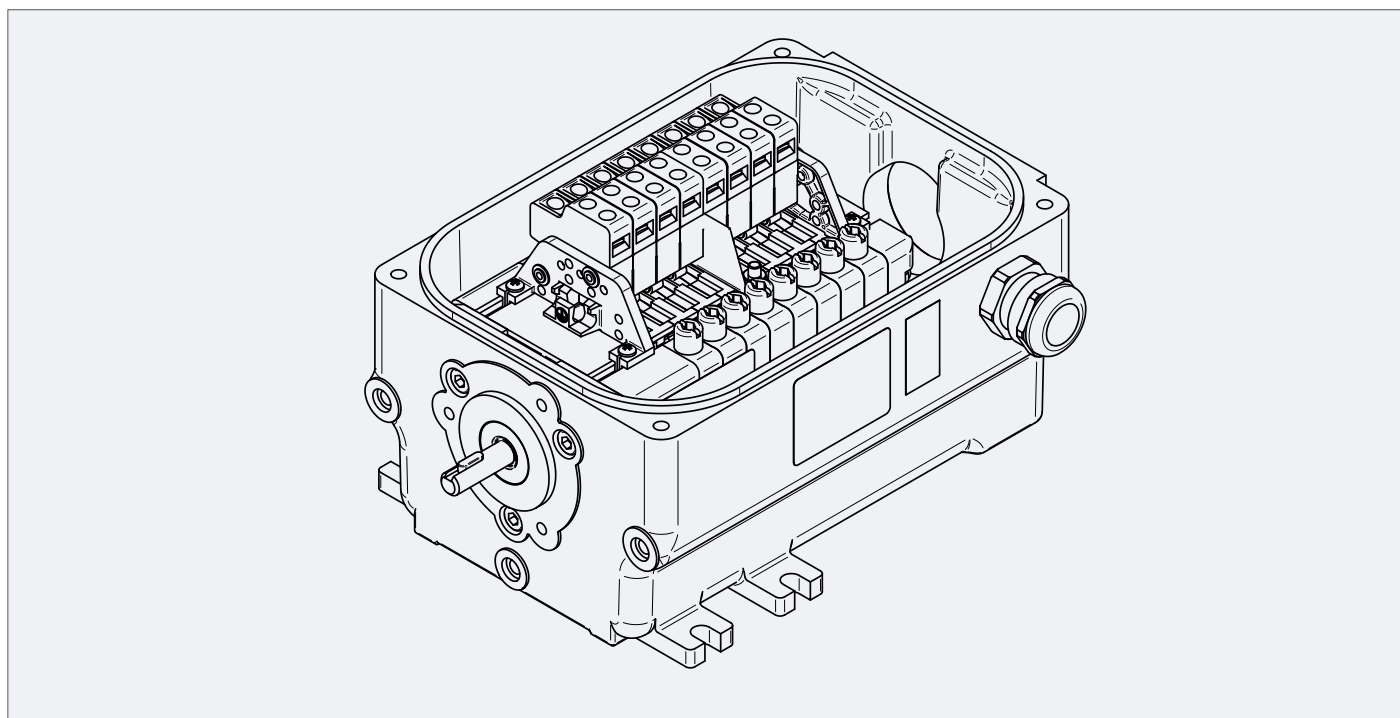
- Heavy duty aluminum housing
- IP65 Protection

Application

- Steel works

Additional information

- For external installation of large/heavy encoders
- Depending on size, installation of encoders inside is also possible



Standard-Gear	DZ-Gear	Gear size	2 Switching Contacts	4 Switching Contacts	6 Switching Contacts	8 Switching Contacts
4,1NM	67DZ	1	A	B	C	D
6,5NM	110DZ					
11NM	180DZ					
17,5BM	280DZ	2	A	B	C	D
29BM	470DZ					
48BM	770DZ					
75BM	1200DZ	3	A	B	C	D
125BM	2000DZ					
205BM	3300DZ					
323BM	5200DZ	4	A	B	C	not available
540BM	8700DZ					
880BM	14200DZ					
1384BM		5	A	B	C	not available
2288BM						
3735BM						
5900BM		6	A	B	not available	not available
9800BM						
16000BM						

Stromag Geared Cam Limit Switches

Limit Switch Control Current

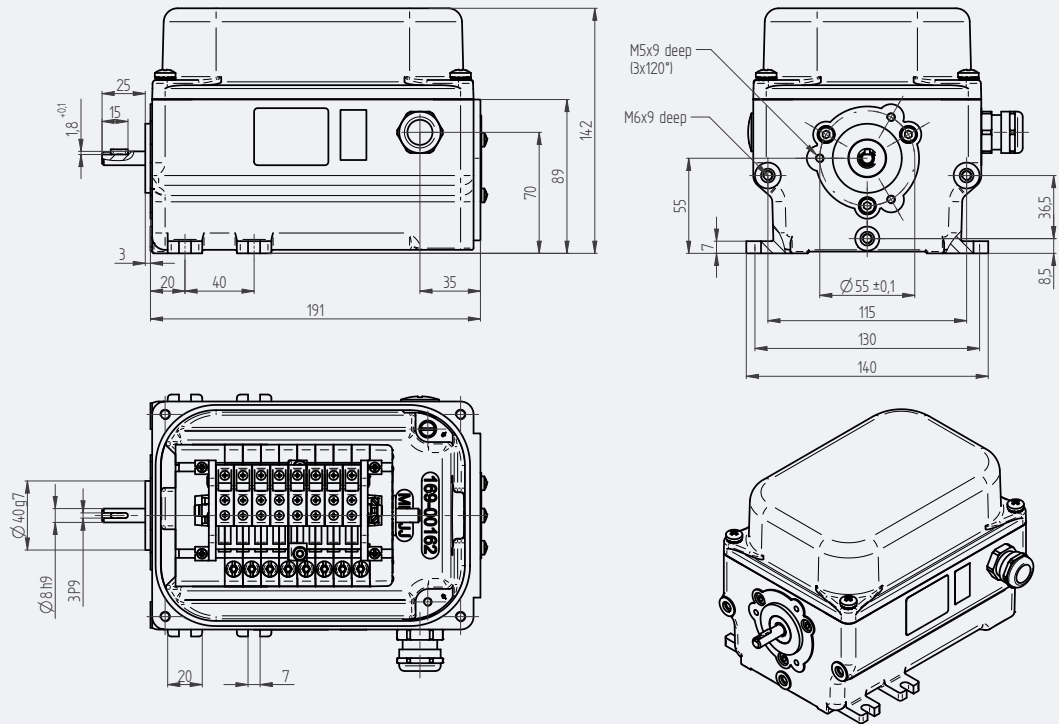
Planetary Gear Limit Switches

Series 51 – Protective housing “MH” (Aluminum IP65)

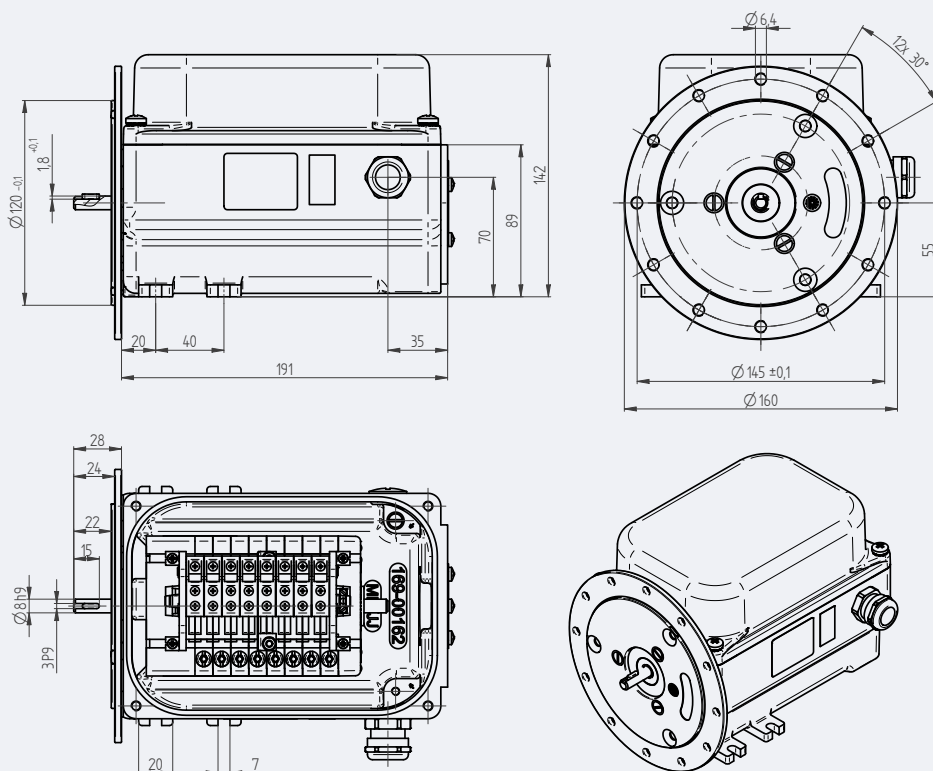
Revision number: 3.1.1.6-01

Revision date: 19.11.2019

Type B3



Type B3/B5



Stromag Geared Cam Limit Switches

Limit Switch Control Current

Planetary Gear Limit Switches

Series 51 – Option: Anti-Condensation Heating

Revision number: 3.1.1.7-03

Revision date: 06.09.2022

Features

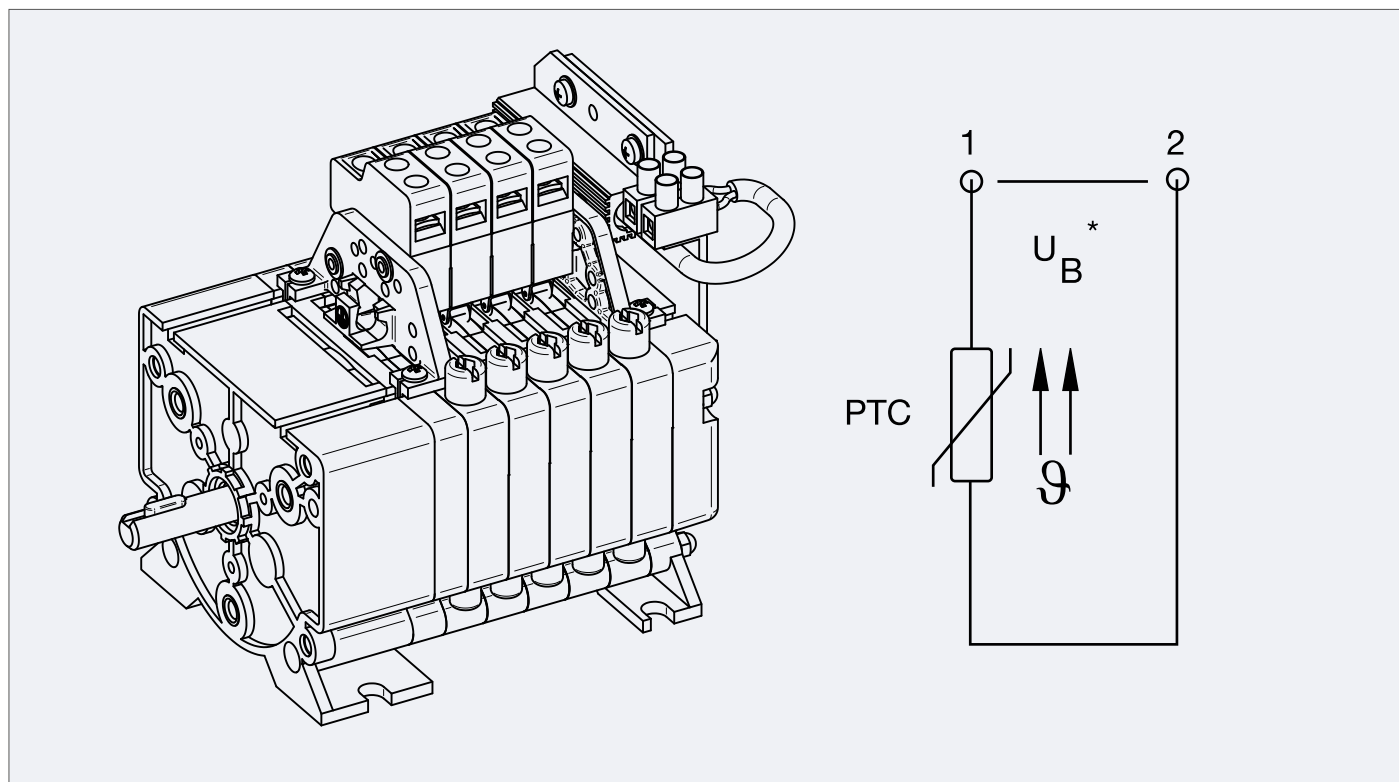
- PTC regulated heater
- 12 – 30 V or 110 -250 V AC/DC

Application

- For application with high humidity, or changing temperatures to avoid water condensation

Additional information

- Can be integrated in all housings of the Series 51



Design: U ₃	12 – 30 V AC/DC	110 – 250 V AC/DC
Heat Output	ca. 2.5 Watts	ca. 4 Watts
PTC Cooling resistor (at 25 °C)	R25 = 20 Ω ± 35 %	R25 = 1500 Ω ± 35 %
PTC Reference temperature	50 °C	50 °C
Protection class (VDE 0100, 0160)	II	II
Radiator	Anodised aluminum	Anodised aluminum
Weight	approx. 40 g	approx. 40 g

Connector	
Solid conductor	0.5 ... 2.5 mm ² / 20 ... 12 AWG
Fine-stranded conductor	0.5 ... 2.5 mm ² / 20 ... 12 AWG
Strip length	ca. 4 mm / ca. 0.15 Inch

Stromag Geared Cam Limit Switches

Limit Switch Control Current

Planetary Gear Limit Switches

Series 51 – Customizable Cam Discs

Revision number: 3.1.1.8-02

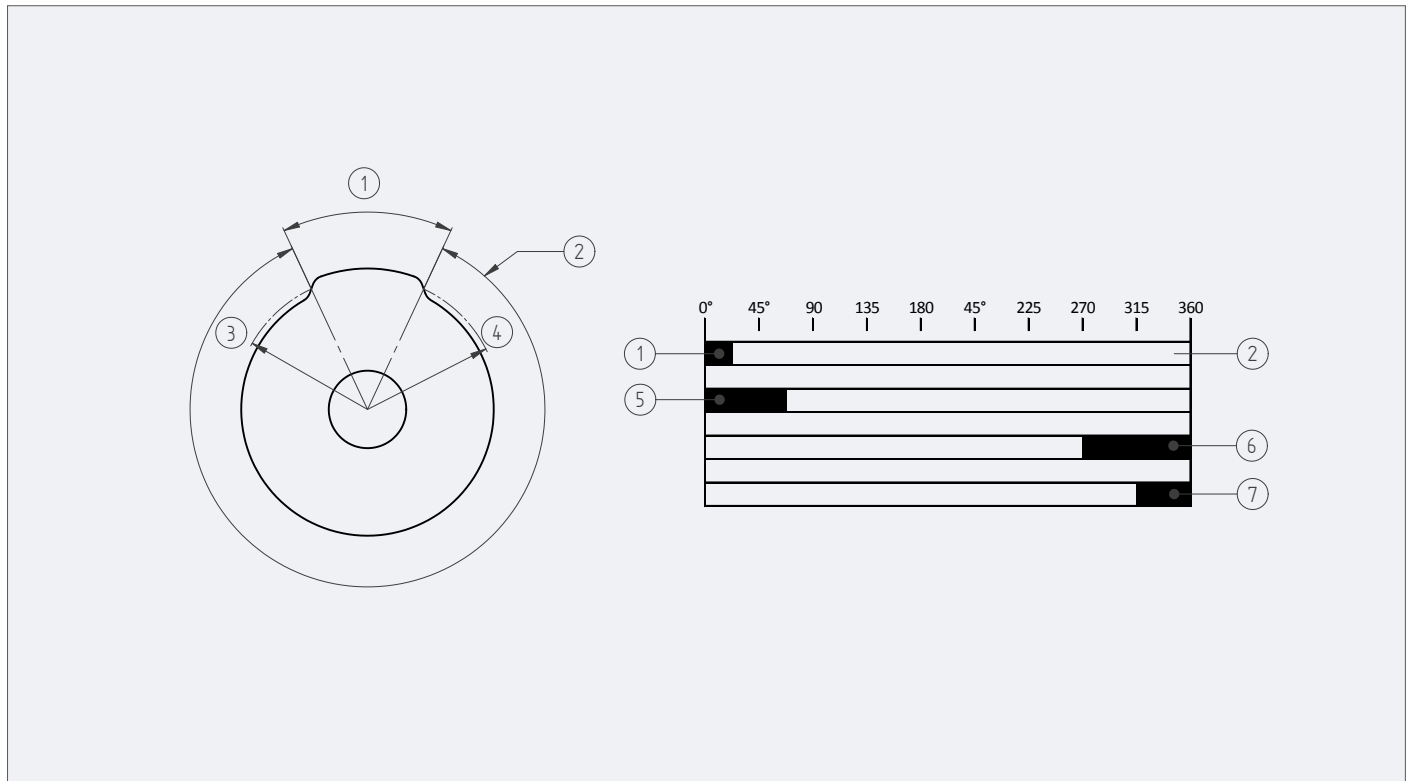
Revision date: 15.09.2021

Features

- 15 degree standard cam discs
- 40 degree cam discs free of charge on request
- Other cam angles on request

Application

- Cam discs with customized angles can be manufactured for different switching programs



A

B

- | | |
|---|-----------------------------|
| 1 | Effective cam angle |
| 2 | Effective cam angle β |
| 3 | Switching point radius |
| 4 | Reset point radius |

- | | |
|---|-------------------------|
| 1 | Effective cam angle 15° |
| 5 | Effective cam angle 60° |
| 6 | Effective cam angle 90° |
| 7 | Effective cam angle 45° |

The cam discs are named after the effective cam angle. For cam discs of Series 51, this corresponds to the switching point angle on the switching point radius of the cam disc. Standard cam angle for Series 51 is 15°.

Any cam angles (15° – 345°) can be supplied as a special design upon request.

The usable revolutions enabled by a cam disc on a GCLS drive shaft, result in the following:

$$\text{Usable revolutions} = \frac{360^\circ - \text{Effective cam angle}}{360^\circ} \times \text{gear ratio}$$

Example for 17,5... with a gear ratio of $i = 18,367$ and usages of a 40° cam disc:

$$\text{Usable revolutions} = \frac{360^\circ - 40^\circ}{360^\circ} \times 18,367 = 16,3 \text{ (see page 6)}$$

Stromag Geared Cam Limit Switches

Limit Switch Control Current

Planetary Gear Limit Switches

Series 51 – Option: Drive Flange

Revision number: 3.1.1.9-03

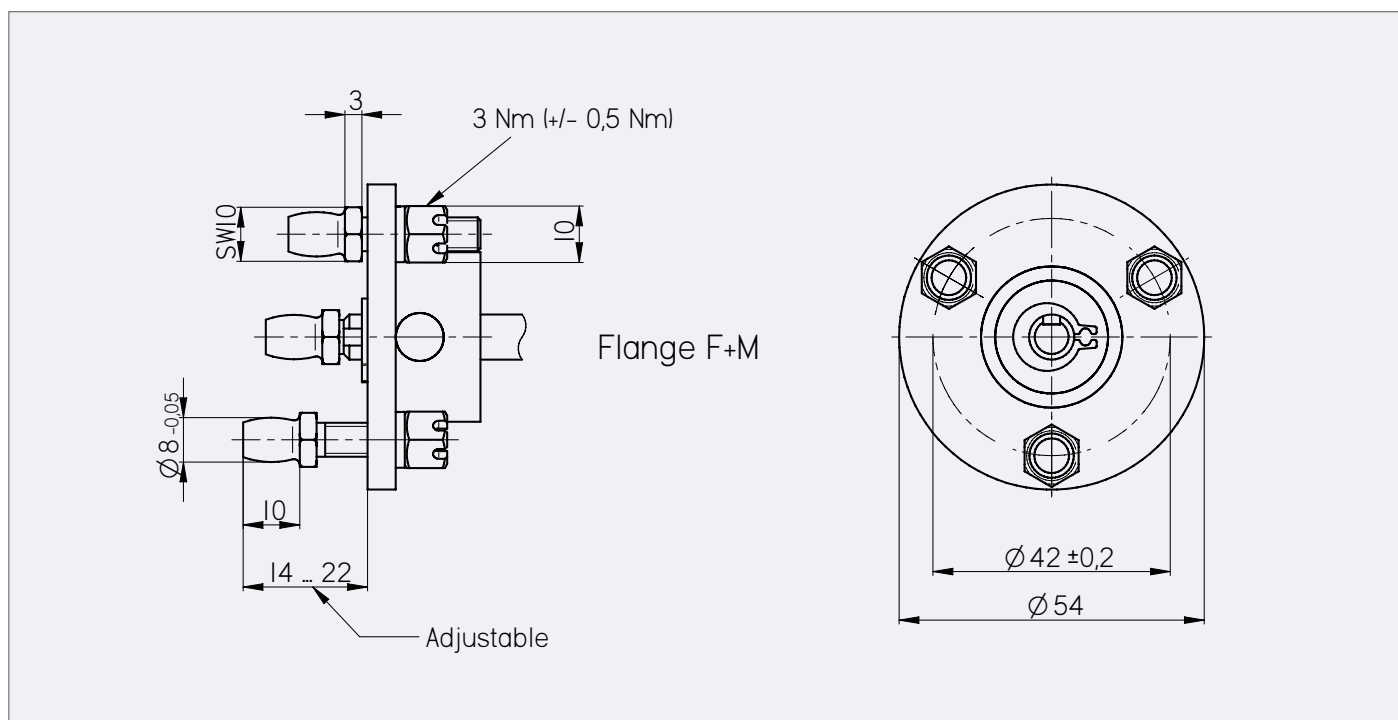
Revision date: 27.09.2021

Features

- Easy adaptation to crane hoists with flange F+M

Additional information:

- Flange F+M in elastic execution with positive drive



Use of flange F+M

Operating speed	Torsion angle (with a torque of 5 Nm)	Comment
$n_{max} = 1000$ rpm	$5 \pm 0.5^\circ$	not for MC/MK

Stromag Geared Cam Limit Switches

Limit Switch Control Current

Planetary Gear Limit Switches

Series 51 – Option: Potentiometer

Revision number: 3.1.1.10-01

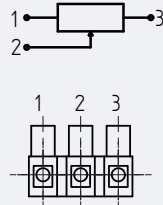
Revision date: 19.11.2019

Features

- Cost effective solution for analog measurements
- Singleturn version or 5 turn version available
- Two couplings possible:
 - "N" for max. 345° (turns synchronous with the cam discs)
 - "S" for max. 1478° (turns 4,285 faster than the cam discs)

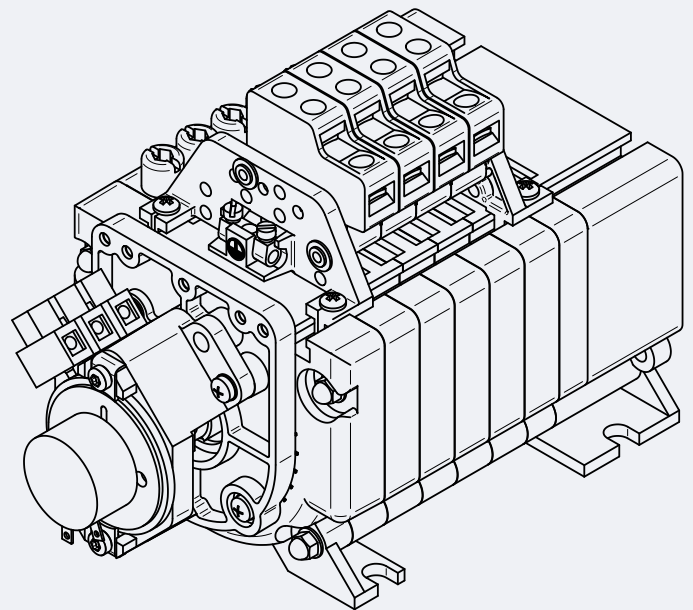
Application

- For simple measurements with less precise requirements



Connector	
Solid conductor	0.5 ... 2.5 mm ² / 20 ... 12 AWG
Fine-stranded conductor	0.5 ... 2.5 mm ² / 20 ... 12 AWG
Strip length	ca. 4 mm / ca. 0.15 Inch

Pin Assignment	
Pin	Color
1	red
2	blue
3	black



Technical data							
	Singleturn					5-Turn	
Driven by Limit switch poti coupling	Type "N"					Type "S"	
Technology	wirewound					wirewound	
Effective electrical angle of rotation*	355° ±5°					1800° ±5°	
Rotational noise (ENR)	100 Ohm					100 Ohm	
Max. / recommended wiper current	35 mA / 2 µA					35 mA / 2 µA	
Power rating @ 70°C	0,5 W					1W	
Insulation Voltage	1000 VAC, 1 min					1000 VAC, 1 min	
Insulation Resistance	1000 Mohm @ 1000 VDC					1000 Mohm @ 500 VDC	
Lifetime (90% el. eff. angle half sine)	1 Mio. rotations*					500.000 rotations*	
Operating temperature range	-20 ... +80°C					-20 ... +80°C	
Vibration (IEC 68-2-6, Test Fc)	15g 10..2000Hz x 12h					15g 10..2000Hz x 12h	
Shock (IEC 68-2-27, Test Ea)	49g @ 11 ms x 18					49g @ 11 ms x 18	
Total resistance [kOhm]	1	2	5	10	20	1	10
Resistance tolerance	±3%					±5%	
Independent linearity (best straight line)	±0,35%	±0,25%	±0,25%	±0,25%	±0,25%	±0,25%	±0,25%
Number of wire turns	570	740	1000	1270	1670	2510	3900
Theoretical resolution	0,18%	0,14%	0,10%	0,08%	0,60%	0,717°	0,462°

* Referring to potentiometer shaft

Stromag Geared Cam Limit Switches

Limit Switch Control Current

Planetary Gear Limit Switches

Series 51 – Option: Analog Encoders

Revision number: 3.1.1.11-01

Revision date: 15.09.2021

Features

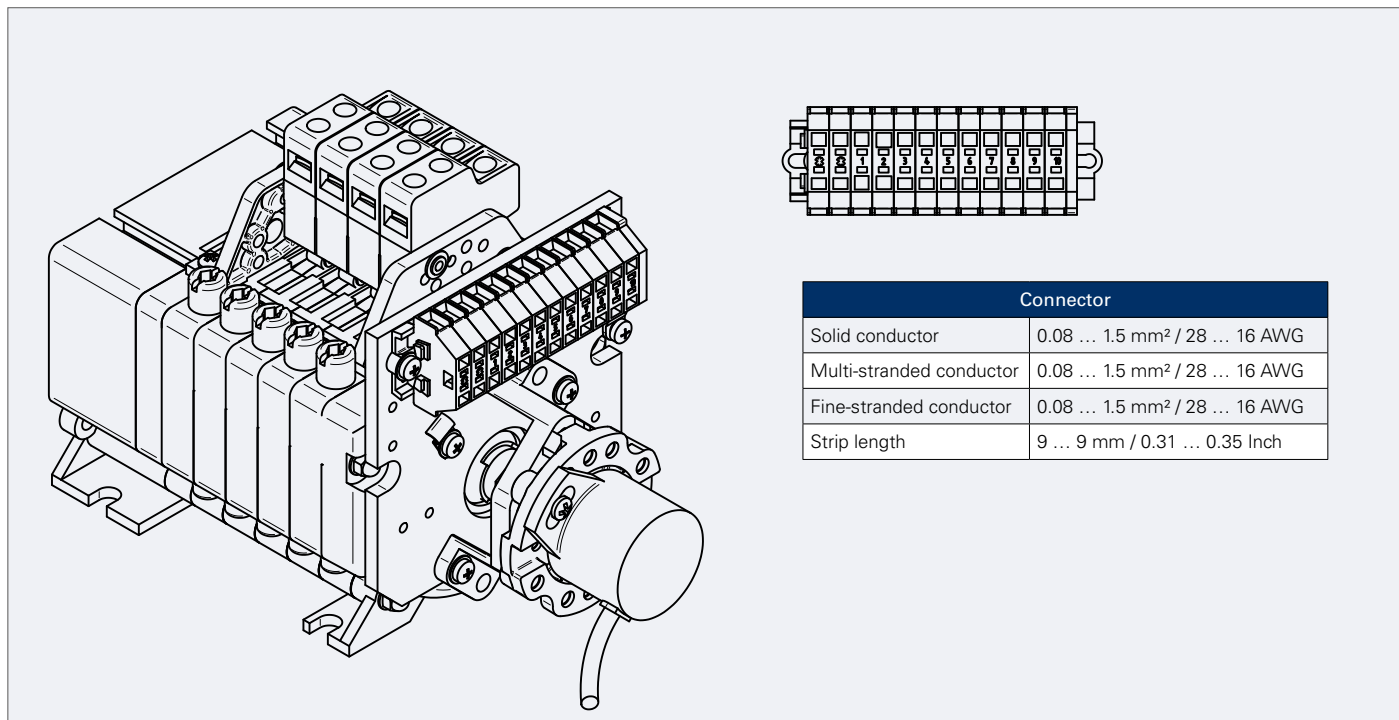
- Contactless measuring method
- Absolute position acquisition
- Long lifetime
- Turning synchronously with the cam discs

Application

- For simple measuring of absolute signals

Additional information

- Programmable type on request
- Adjustment via additional adjustment worm possible on request



Connector	
Solid conductor	0.08 ... 1.5 mm ² / 28 ... 16 AWG
Multi-stranded conductor	0.08 ... 1.5 mm ² / 28 ... 16 AWG
Fine-stranded conductor	0.08 ... 1.5 mm ² / 28 ... 16 AWG
Strip length	9 ... 9 mm / 0.31 ... 0.35 Inch

Technical Data		
	non-programmable type	programmable type
Drive	Coupling "N" (1:1 with cam discs)	Coupling "N" (1:1 with cam discs)
Measuring range*	360°	1 ... 360° programmable
Output signal	4 ... 20 mA	4 ... 20 mA
Turning direction	cw rising values	programmable
Resolution	12 Bit	14 Bit
Indep. linearity	± 0.3 % of measuring range	± 0.1 % of measuring range
Supply voltage	16 ... 35 V DC	16 ... 35 V DC
Current consumption without load (typ.)	19 mA	20 mA
Ohmic load at output	0 ... 500 Ohm	0 ... 500 Ohm
Max. capacitive load at output	100 nF	100 nF
Lifetime	50 mio. movements	50 mio. movements
Operating temperature	-40°C ... +85 °C	-40°C ... +85 °C

Pin Assignment			
Signal	Pin	Color (non-programmable type)	Color (programmable type)
Supply Voltage	1	brown	pink
Ground	2	green	black
Output signal	3	white	brown
Set 1	4	n/a	green
Set 2	5	n/a	yellow

* Referring to encoder shaft

Stromag Geared Cam Limit Switches

Limit Switch Control Current

Planetary Gear Limit Switches

Series 51 – Option: Analog Encoder (programmable)

Revision number: 3.1.1.12-01

Revision date: 19.11.2019

Features

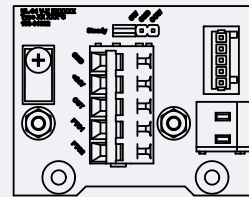
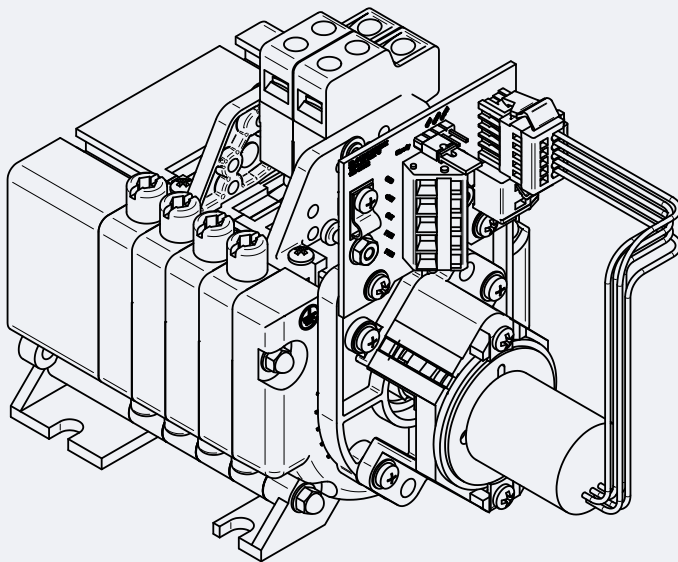
- Contactless measuring method
- Absolute value acquisition
- Long lifetime
- Turning synchronously with the cam discs

Application

- For simple measuring of absolute signals

Additional information

- Programmable type cw or ccw
- 0 point setting
- Adjustment via additional adjustment worm possible on request



Connector	
Multi-stranded conductor	0.08 ... 2.5 mm ² / 28 ... 12 AWG
Fine-stranded conductor	0.08 ... 2.5 mm ² / 28 ... 12 AWG
With end sleeve	0.25 ... 1.5 mm ²
Strip length	5 ... 6 mm / 0.2 ... 0.24 Inch

Pin Assignment	
GND	Ground
+24 V	Supply voltage
Out	Output signal
PTC1	For optional PTC-heating
PTC2	For optional PTC-heating

Technical Data		
	Current Output	Voltage Output
Drive	Coupling "N" (1:1 with cam discs)	Coupling "N" (1:1 with cam discs)
Measuring range*	360°	360°
Output signal	4 ... 20 mA	0 ... 10 V
Turning direction	programmable	programmable
Resolution	14 Bit	14 Bit
Indep. linearity	± 0.1 % of measuring range	± 0.1 % of measuring range
Supply voltage	18 ... 35 V DC	18 ... 35 V DC
Current consumption without load (typ.)	20 mA	20 mA
Ohmic load at output	0 ... 500 Ohm	> 10 kOhm
Max. capacitive load at output	100 nF	100 nF
Lifetime	360 mio. movements	360 mio. movements
Operating temperature	-40°C ... +85 °C	-40°C ... +85 °C

Stromag Geared Cam Limit Switches

Limit Switch Control Current

Planetary Gear Limit Switches

Series 51 – Option: Incremental Encoder

Revision number: 3.1.1.13-01

Revision date: 19.11.2019

Features

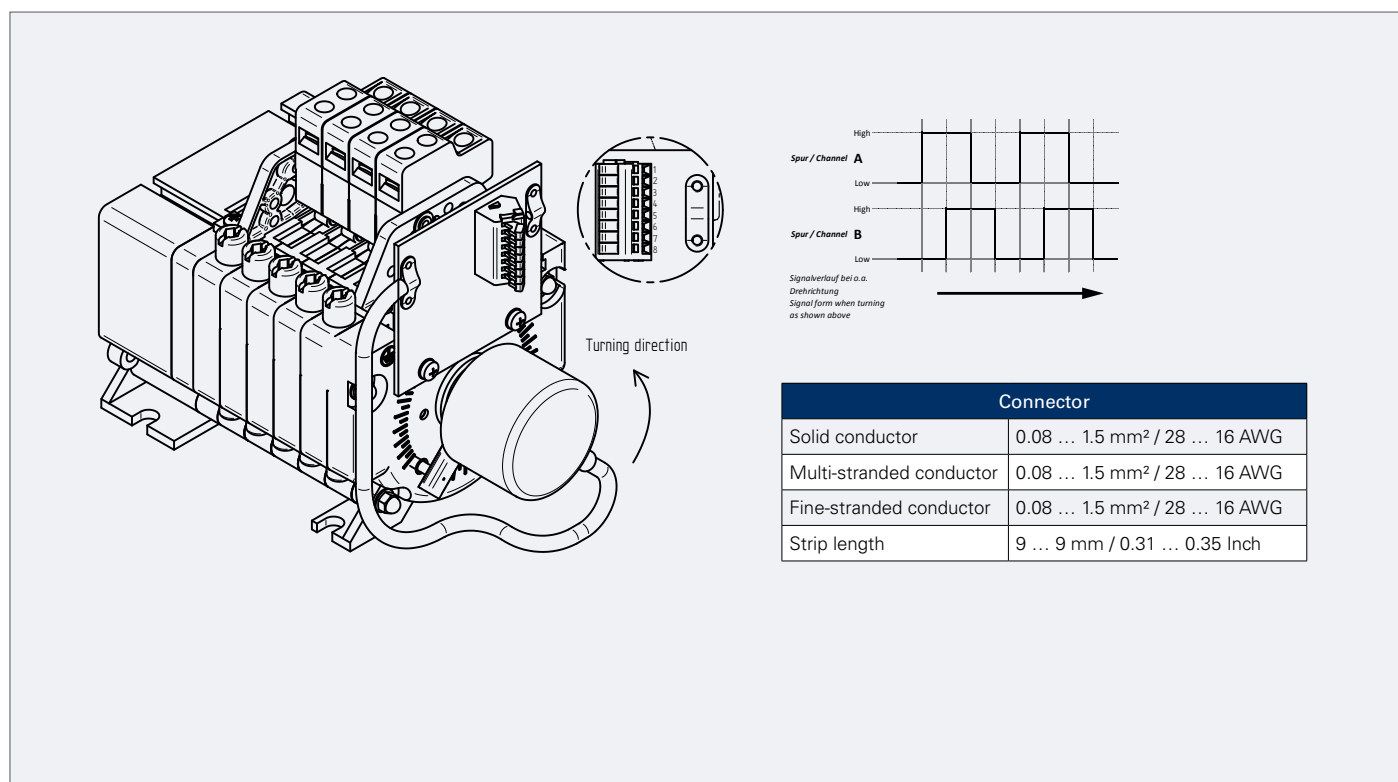
- Optical measuring
- Up to 3600 increments in small housing
- Already wired to squirrel cage tension
- 2 square signals, 90° phase shifted (+ inverted signals) for quadrature evaluation

Application

- For giving the information about speed

Additional information

- Driven 1:1 from the second shaft end



Turning direction

High
Low
Spur / Channel A

High
Low
Spur / Channel B

Signalverlauf bei o.a. Drehrichtung
Signal form when turning as shown above

Connector	
Solid conductor	0.08 ... 1.5 mm ² / 28 ... 16 AWG
Multi-stranded conductor	0.08 ... 1.5 mm ² / 28 ... 16 AWG
Fine-stranded conductor	0.08 ... 1.5 mm ² / 28 ... 16 AWG
Strip length	9 ... 9 mm / 0.31 ... 0.35 Inch

Technical Data	RS422	Push-Pull
Power supply UB	5 V ± 5% or 8...30 V	8 ... 30 V DC
Pulses / 360°	5 ... 3600	
Power consumption	Typ. 40 mA	< 40 mA
(without load)	Max. 90 mA	
Permissible load	± 20 mA	± 50 mA
Signal level "high"	> 2,5 V	> Vcc - 3 V
Signal level "low"	< 0,5 V	< 2,5 V
Max. frequency	300 kHz	200 kHz
Operating temperature	-40°C ... +85 °C (5...1024 pulses)	
	-30°C ... +85 °C (>1024 pulses)	

Assignment	Pin	Color
Ground	1	white
Supply-Voltage VCC	2	brown
A - Signal	3	green
B - Signal	4	yellow
0 - Signal	5	gray
A-Inv. - Signal	6	pink
B-Inv. - Signal	7	blue
0-Inv. - Signal	8	red

Stromag Geared Cam Limit Switches

Limit Switch Control Current

Planetary Gear Limit Switches

Series 51 – Option: SSI Multiturn Encoder

Revision number: 3.1.1.14-01

Revision date: 19.11.2019

Features

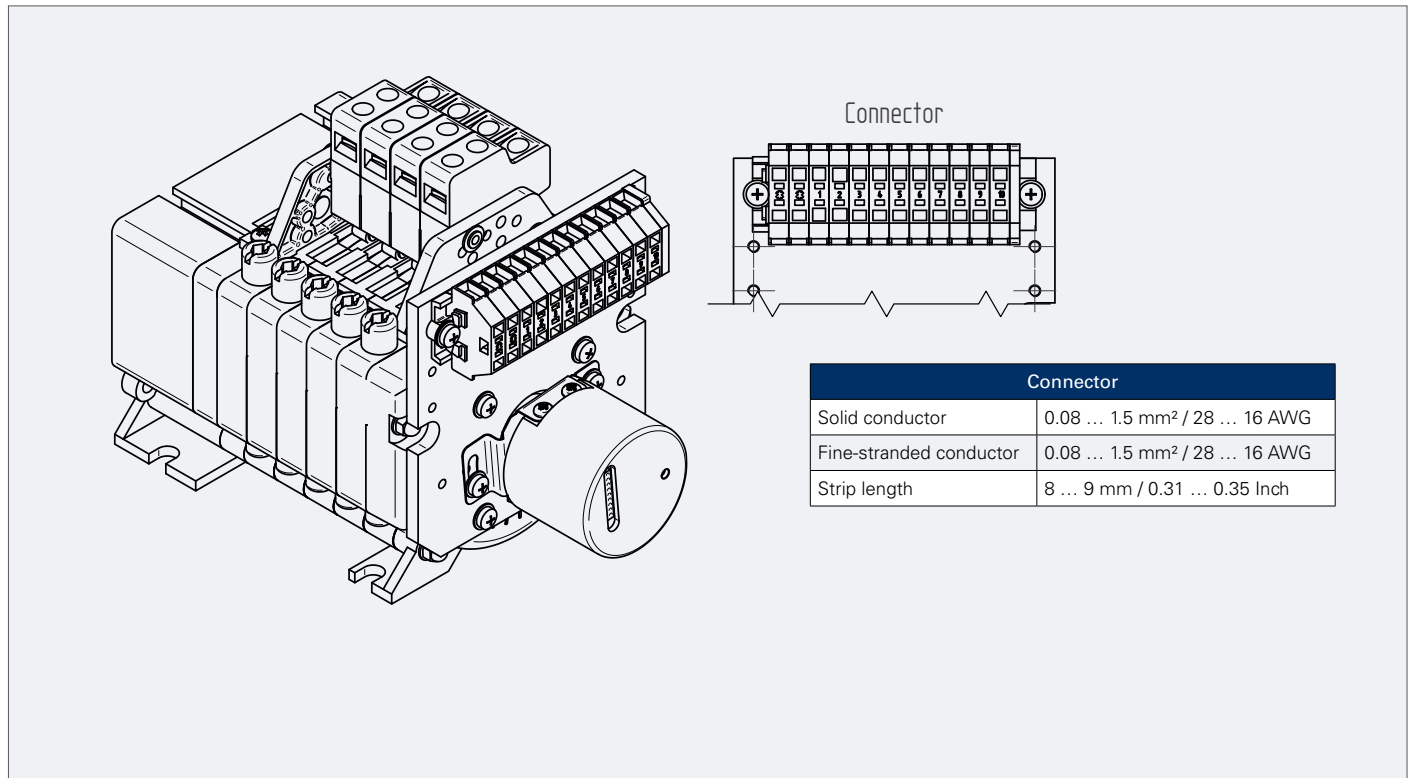
- Absolute value with high preciseness
- Without gear (Energy harvesting technology)
- Wired to squirrel cage tension

Application

- For very high accuracy demands

Additional information

- Without play driven 1:1 by the second shaft end
- Due to size it can be integrated in all types of housings



Technical Data	
Resolution singleturn	8 ... 14 Bit
Resolution multiturn	1 ... 39 Bit
Interface	SSI
Code	Gray / Binary
Clock frequency	100 kHz ... 500 kHz
Data output	RS485 comp.
Power supply	10 ... 32 V DC
Power consumption	Max. 0,5 W
Turn on time	max. 1,5 s
Operating temperature	-40°C ... +85 °C

Configuration	
Turning direction	CW : DIR = GND
(View on shaft)	CCW : DIR = +UB
Set to Zero	Preset = +UB (2s)
Deactivate	Preset = GND

LED -Behaviour	
At Boot-Up	red (< 2,3s)
Error	red (> 2,3s)
Normal function	green

Pin Assignment		
Signal	Pin	Color
Ground	1	white
Supply Voltage	2	brown
SSI CLK +	3	green
SSI CLK -	4	yellow
SSI DATA +	5	gray
SSI DATA -	6	pink
Preset	7	blue
DIR	8	red
Screen	9	violet

Stromag Geared Cam Limit Switches

Limit Switch Control Current

Planetary Gear Limit Switches

Series 51 – Option: CANopen Multiturn Encoder

Revision number: 3.1.1.15-01

Revision date: 19.11.2019

Features

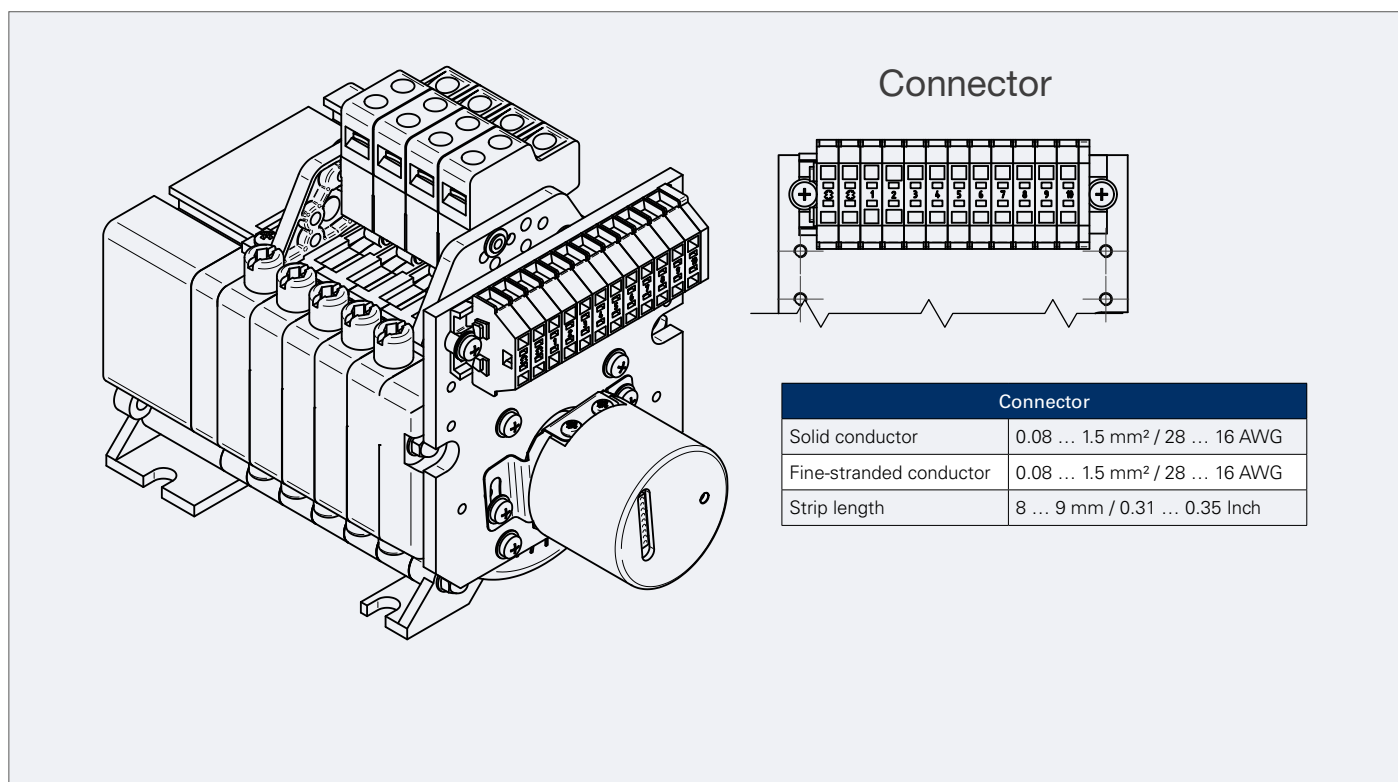
- Absolute value with high preciseness
- Without gear (Energy harvesting technology)
- Wired to squirrel cage tension

Application

- For very high accuracy demands

Additional information

- Without play driven 1:1 by the second shaft end
- Due to size it can be integrated in all types of housings



Connector	
Solid conductor	0.08 ... 1.5 mm ² / 28 ... 16 AWG
Fine-stranded conductor	0.08 ... 1.5 mm ² / 28 ... 16 AWG
Strip length	8 ... 9 mm / 0.31 ... 0.35 Inch

Technical Data	
Resolution singleturn	8 ... 14 Bit
Resolution multiturn	1 ... 39 Bit
Code	Binary
Interface	CAN
Protocol	CANopen
Node ID	1 ... 127 (default: 127)
Programmable CAN transmission modes	Synchronous / Asynchronous
Power supply	10 ... 32 V DC
Power consumption	Max. 0,5 W
Turn on time	max. 1,5 s
Operating temperature	-40°C ... +85 °C

Pin Assignment		
Signal	Pin	Color
Ground	1	white
Supply Voltage	2	brown
CAN High	3	green
CAN Low	4	yellow
CAN GND	5	gray

Standard settings as well as any customization in the software can be changed via LSS (CIA 305) and the SDO protocol (PDOs, Scaling, Heartbeat, Node-ID, Baud rate, etc.).

Stromag Geared Cam Limit Switches

Limit Switch Control Current

Planetary Gear Limit Switches

Series 51 – Option: Smart Cam®

Revision number: 3.1.1.16-01

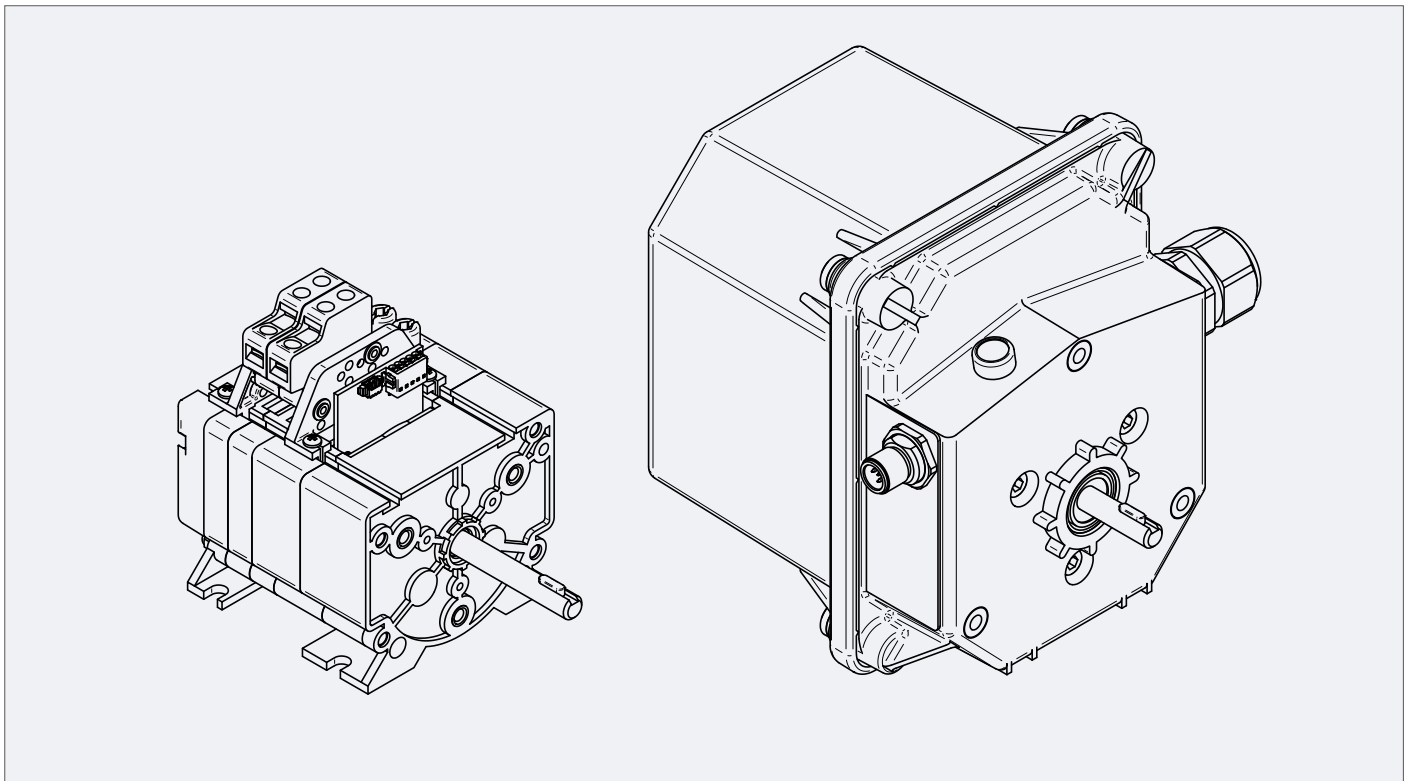
Revision date: 19.11.2019

Features

- Multiturn absolute encoder which can be fully integrated inside of the Series 51 Limit Switch
- Only little space needed (21 mm) additional to the limit switch

Additional information:

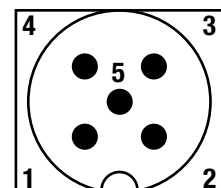
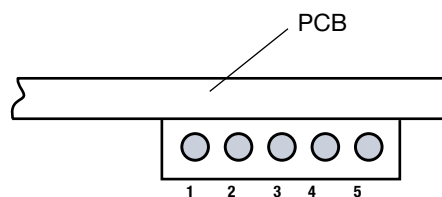
- Can be adapted to customer needs e.g. cable length measuring, speed or acceleration
- Resolution depending on gear
- Connected via M12 plug



Technical Data	
Resolution singleturn	10 Bit
Resolution multiturn	70 Revolutions
Interface	CAN (ISO 11898)
Protocol	CANopen CiA DS 301 and DS406
Speed	Up to 1 Mbaud
Node ID	1 ... 127
Configuration	LSS & LDO
Power supply	10 ... 30 V DC
Operating temperature	-40°C ... +85 °C

Pin Assignment (PCB Connector)	
Signal	Pin
CAN High	1
CAN Low	2
GND	3
CAN V+	4
CAN Shield	5

Pin Assignment (M12 Connector)	
Signal	Pin
CAN Shield	1
CAN V+	2
GND	3
CAN High	4
CAN Low	5



Stromag Geared Cam Limit Switches

Limit Switch Control Current

Planetary Gear Limit Switches

Series 51 – Option: Electromagnetic Tooth Clutch EZX

Revision number: 3.1.1.17-01

Revision date: 19.11.2019

Features

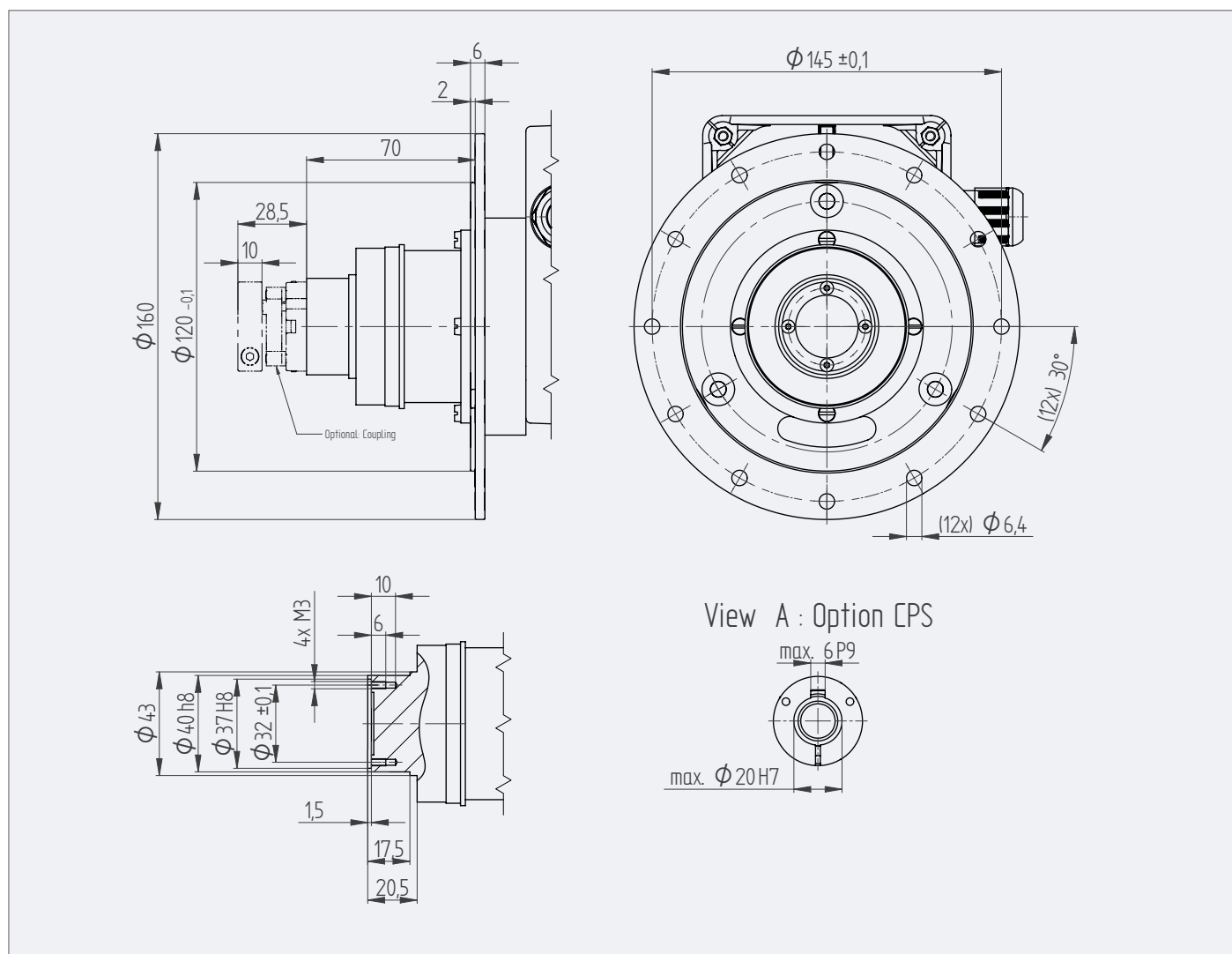
- Form fit connection inside
- High number of teeth for highest possible accuracy
- Safety related function, closed without current

Application

- For point hoist in theatres

Additional information

- Can be used together with all types of housing Series 51



Technical Data EZX 0,1

Maximum torque	1 Nm
Supply Voltage	24 V DC
Power consumption	25 W
Air gap off	0,85 ... 0,95 mm
No. of teeth	204

Stromag Geared Cam Limit Switches


Limit Switch Control Current

Planetary Gear Limit Switches

Series 51 – Key Of Types

Revision number: 3.1.1.18-01

Revision date: 19.11.2019

Stromag GmbH Hansastr. 120, 59425 Unna Tel. +49(0)2303102-0 Made in Germany		 Ui=250VAC Ith=10A	
Getriebeendschalter Typ 51_75_BMH_499_G Auftr.Nr.: XXXXX Nr.: XXXXXX Ref.Nr.: XXXXXX			
IP XX	230VAC/1A	60VDC/0,5A	
Baujahr XX / XX			

51	Switch type: GCLS Series 51	
75	Nominal Revolutions	Gear type N: 4.1, 6.5, 11
		Gear type B: 17.5, 29, 48, 75, 125, 205, 323, 540, 880, 1384, 2288, 3735, 5900, 9800, 16000
		Gear type DZ: 67, 110, 180, 280, 470, 770, 1200, 2000, 3300, 5200, 8700, 14200
B	Gear type	N: Without block adjustment
		B: Block adjustment
		DZ: Differential tooth gear
MH	Housing type	MH: IP65, GTES mounted in an aluminum housing
		MC: IP55, GTES mounted in a plastic housing with a short housing cover
		MK: IP55, GTES mounted in a plastic housing with a long housing cover
		M: IP00/IP20, without a protective housing
		MxZ: IP66, GTES mounted in a glass fibre reinforced polycarbonate housing x: Number of intermediate pieces (0...9)
CxZ: IP65, GTES mounted in a glass fibre reinforced polycarbonate housing (compact) x: Number of intermediate pieces (0...9)		
4	Number of contacts fitted	1 - 14
99	Type of switching contact	99: Contact (changeover) with screw connections, contact material: Silver (standard)
		99G: Contact (changeover) with screw connections, contact material: Gold
		99L: Contact (changeover) with soldering pins (for PCB), contact material: Silver
		99P: Contact (changeover) with flat plug connections, contact material: Silver
		99T: Contact (push action) with screw connections, contact material: Silver
		99A: Contact (push action) with screw connections, contact material: Gold
		99B: Contact (changeover) with soldering pins, contact material: Gold
		99C: Contact (changeover) with stranded wire output, contact material: Silver
G	Additional components	G With encoder / sensor
		P With potentiometer

Stromag Geared Cam Limit Switches

Limit Switch Control Current

Planetary Gear Limit Switches

Series 51 – Explosion Proof Type

Revision number: 3.1.1.19-01

Revision date: 19.11.2019

Features

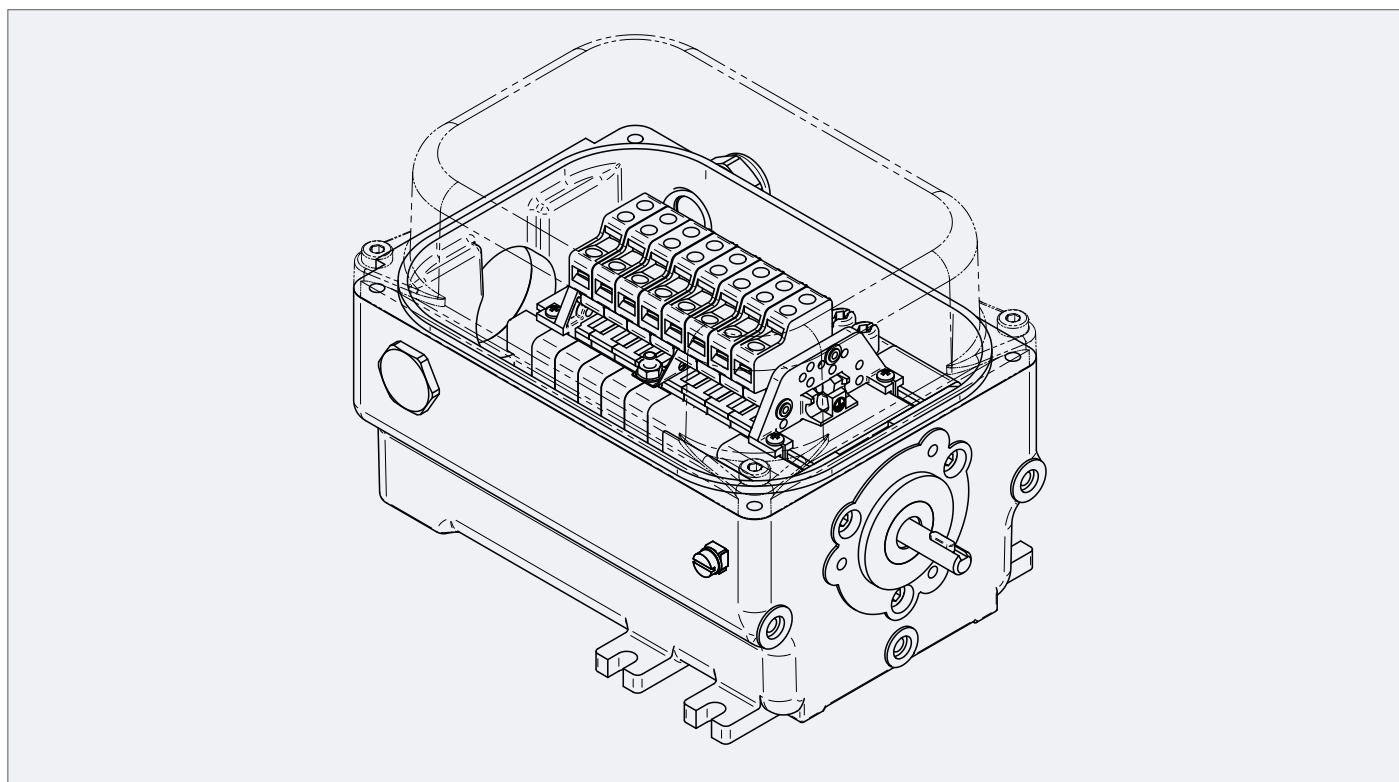
- IP65 Aluminum Housing
- Built in sensors and potentiometers possible (max. power loss 4 W -> safety barrier)

Application

- Usable for conductive and non-conductive dust in zone 21 and 22
Zone 21 (category 2D dust occasionally), zone 22 (category 3D, dust rarely)

Additional information

- Certification according to directive 2014/34/EU
- Certification according to IECEx



ATEX marking

II 2D Ex tb IIIC T100°C Db

IECEx marking

Ex tb IIIC T100°C Db

Explanation of markings

II	Group II, devices for use above ground
2D	Device category (for use in Zone 21 and 22)
tb	Type of protection tb, protection via housing (EN 60079-31)
IIIC	Dust group IIIC, conductive dust (includes group IIIB and IIIA)
T100°C	Maximum permitted surface temperature
Db	Equipment protection level (EPL) as per EN 60079-0

Technical details

Temperature range:	-25°C to 60°C at a maximum input rotation speed of 1000 rpm
	-25°C to 40°C at a maximum input rotation speed of 1800 rpm
Number of contacts:	1 – 8 Contacts (without encoder) 1 – 4 Contacts (with encoder)
Cable cross-section:	1 – 1,5 mm ² (AWG 16 –18)
Electrical data:	Nominal voltage AC-15: 230V Nominal current AC-15: 1,5A Nominal voltage DC-13: 60V 24V Nominal current DC-13: 0,5A 2A Continuous thermal current max. 2A

Premier Industrial Company Leading Brands

OTHER PRODUCT SOLUTIONS FROM **REGAL REXNORD**

Our comprehensive product offerings include various types of clutches and brakes, overrunning clutches, engineered bearing assemblies, gearing and gear motors along with linear motion products, belted drives, couplings, limit switches, precision motors, drives & controls, and miniature motors. With thousands of product solutions available, Regal Rexnord provides true single source convenience while meeting specific customer requirements. Many major OEMs and end users prefer Regal Rexnord products as their No. 1 choice for performance and reliability.

WWW.REGALREXNORD.COM



Electric Clutches & Brakes

Stromag
Warner Electric



Precision Motors & Automation

Kollmorgen



Heavy Duty Clutches & Brakes

Industrial Clutch
Stromag
Svendborg Brakes
Twiflex
Wichita Clutch



Miniature Motors

Portescap



Overrunning Clutches

Formsprag Clutch
Marland Clutch
Stieber



Linear Systems

Thomson



Engineered Couplings & Universal Joints

Ameridrives
Bibby Turboflex
Guardian Couplings
Huco
Lamiflex Couplings
Stromag
TB Wood's



Specialty Components

Kilian
Stromag
TB Wood's



Gear Drives & Gear Motors

Bauer Gear Motor
Boston Gear
Delroyd Worm Gear
Nuttall Gear

Stromag Facilities

Europe

Germany

Hansastraße 120
59425 Unna - Germany
+49 (0) 23 03 102 0

*Clutches & Brakes, Couplings,
Geared Cam Limit Switches, Discs*

Dessauer Str. 10
06844 Dessau-Roßlau - Germany
+49 (0) 340 2190 0

Electromagnetic Clutches & Brakes

France

Avenue de l'Europe
18150 La Guerche sur L'Aubois - France
+33 (0)2 48 80 72 72

Disc Brakes & Drum Brakes

Great Britain

Amphthill Road
Bedford, MK42 9RD - UK
+44 (0)1234 324347

*Electromagnetic Clutches & Brakes,
Industrial Caliper Brakes*

North America

USA

31 Industrial Park Road
New Hartford, CT 06057 - USA
860-238-4783

Electromagnetic Clutches & Brakes

300 Indiana Highway 212
Michigan City, IN 46360 - USA
219-874-5248

Couplings

2800 Fisher Rd.
Wichita Falls, TX 76302 - USA
940-723-3400

*Geared Cam Limit Switches,
Industrial Caliper & Drum Brakes*

South America

Brasil

Avenida João Paulo Ablas, 2970
Jardim da Glória, Cotia - SP,
06711-250 - Brasil
+55 (11) 4615-6300

*Flexible Couplings, Bearing
Isolators, and Coupling Guards*

Asia Pacific

China

T40B -5, No. 1765 Chuan Qiao Road
Pudong 201206, Shanghai - China
Tel +86 21-60580600

*Clutches & Brakes, Electromagnetic
Clutches & Brakes, Couplings, Industrial
Caliper & Drum Brakes, Discs, Geared
Cam Limit Switches*

India

Gat No.: 448/14, Shinde Vasti, Nighoje
Tal Khed, Pune- 410 501
+91 2135 622100

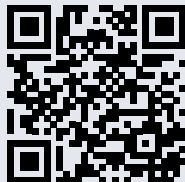
*Clutches & Brakes, Electromagnetic
Clutches & Brakes, Couplings, Industrial
Caliper & Drum Brakes, Discs, Geared
Cam Limit Switches, Wind Brakes*

Renewable Energy

Denmark

Jernbanevej 9
5882 Vejstrup
+45 63 255 255

Wind Brakes



Scan to see all
the brands of
Regal Rexnord

Neither the accuracy nor completeness of the information contained in this publication is guaranteed by the company and may be subject to change in its sole discretion. The operating and performance characteristics of these products may vary depending on the application, installation, operating conditions and environmental factors. The company's terms and conditions of sale can be viewed at <http://www.altramotion.com/terms-and-conditions/sales-terms-and-conditions>. These terms and conditions apply to any person who may buy, acquire or use a product referred to herein, including any person who buys from a licensed distributor of these branded products.

©2023 by Stromag LLC. All rights reserved. All trademarks in this publication are the sole and exclusive property of Stromag LLC or one of its affiliated companies.