



ELECTROMAGNETIC CLUTCHES AND BRAKES

FOR ENERGY EFFICIENT DRIVES
WITH HIGH STANDARDS



Stromag – Electromagnetic Clutches and Brakes

Product overview

Spring-Applied Brake HPB

Compact modular braking system as 2 face and 4 face design with IP67 for offshore, marine and harbour applications

Torque range 80 – 6400 Nm



FEATURES:

This special electromagnetic fail-safe brake combines highest performance in smallest space with best protection against environmental influences up to IP67. This working, holding and emergency stop brake allows a long lifetime in harsh environments.

APPLICATIONS:

High speed applications on marine winches, cranes, hoists or other industrial drives. Suitable for seawater environment and similar harsh environments.

BENEFITS INCLUDE

- Optimized design for maximum performance in smallest space
- Designed for high-speed applications
- Protection class up to IP67
- Type approvals considered
- Best heat dissipation for best dynamic performance
- Wide range of options like tachometer mounting, terminal box, anti-condensation heater, micro-switches to monitor switching states and/or wear indication
- Rectifiers and quick switching units optimize switching comfort
- Connecting flanges to IEC standards or similar.

Spring-Applied Brake 4BZFM

For offshore and marine application, flood- and seawater-proof

Torque range 63 – 11,000 Nm (Higher on request)



FEATURES:

The 4BZFM brake type with its very high degree of protection fulfils the highest requirements for durability, robustness and seawater resistance.

APPLICATIONS:

Offshore on deck motor winches, anchor windlasses, deck cranes, cargo winches and trawler winches; in rolling mills, steel mills and mining under difficult climatic conditions.

BENEFITS INCLUDE

- Degree of protection up to IP67
- All components with special surface protection
- Type approvals: DNV GL, LRS, ABS, BV, RR (on request)
- Simple mounting, highly serviceable, fully functional without cover
- Connecting flanges to IEC standards
- Robust, reliable design with low inertia
- Braking does not generate any additional axial or radial forces
- Excellent heat dissipation
- Wide range of options like tachometer mounting, terminal box, anticondensation heater, micro switches to monitor switching states and/or wear indication
- Rectifiers and quick switching units optimise switching comfort

Stromag – Electromagnetic Clutches and Brakes

Product overview

Spring-Applied Brake NFF

For compact industrial and crane applications with a high protection against harsh environment

Torque range 20 – 10,000 Nm (Higher on request)



FEATURES:

With its high degree of protection the brake fulfils the highest requirements for durability and robustness.

APPLICATIONS:

On harbour and marine cranes, in container transportation plants, for long travel drives, hoisting and trolley travel gears, suitable for seawater environment and similar harsh environments.

BENEFITS INCLUDE

- Degree of protection up to IP66
- All components with special surface protection
- Type approval: GL
- Simple mounting, no brake disassembly required
- Braking does not generate any additional axial or radial forces.
- Excellent heat dissipation
- Wide range of options like braking torque adjustment, manual release, tachometer mounting, terminal box, anticondensation heater, micro switches to monitor switching states and/or wear indication
- Rectifiers and quick switching units optimise switching comfort
- Robust, reliable design with low inertia

Spring-Applied Brake NFF4F-LS

For slow-running high torque drivelines, in harsh environment

Torque range 4,000 – 40,000 Nm (Higher on request)



FEATURES:

The four-face brake range has been developed for industrial and crane applications requiring for slow running drives a very high brake torque with closed design.

APPLICATIONS:

Cranes, conveyors, assembling lines, presses with electric torque motor drives, electric gearless drives and heavy industry.

BENEFITS INCLUDE

- Degree of protection up to IP66
- All components with special surface protection
- Concentricity through body for tacho fixing
- Simple mounting, no brake disassembly required
- Extremely low inertia
- High heat dissipation

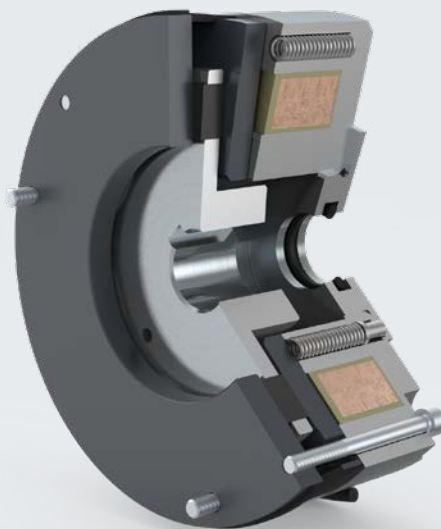
Stromag – Electromagnetic Clutches and Brakes

Product overview

Spring-Applied Brake BZFM V7

for standard electric motors, general industrial applications

Torque range 3 – 380 Nm



FEATURES:

Completely pre-mounted and adjusted the brake fulfils highest requirements for a high heat capacity and less wear.

APPLICATIONS:

Brake series for mounting at electric motors in general machinery, wind turbine generator systems and conveyor technology.

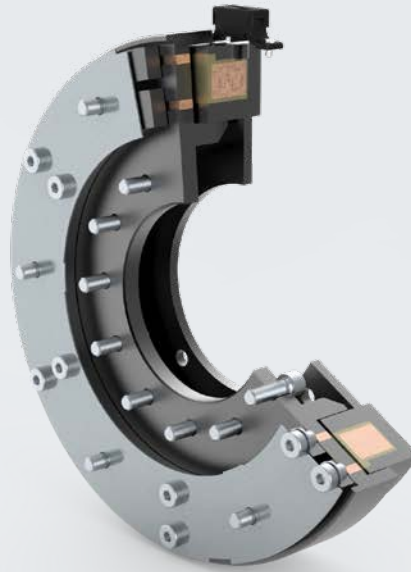
BENEFITS INCLUDE

- Degree of protection up to IP44 with rubber sleeve and seal ring on through shaft
- Simple mounting, no brake disassembly required
- The fitted friction pads present an intermittent friction surface for good heat dissipation
- Axially flexible friction pads in the carrier allow high fastening tolerances
- Fitted as standard with a manual release for simple retrofits
- Compact, simple design, standard brake for wide range of applications
- Adjusting ring fitted as standard for simple torque reduction up to 55 % of the rated torque

Pole-Face Friction Clutch MWU

for the powerful actuation of auxiliary power generating sets in vehicles, general mechanical engineering

Torque range 400 – 7800 Nm (Higher on Request)



FEATURES:

The growing integration of different drive forms in drive trains (hybrid technologies) and the development of low-consumption drives require the activation and deactivation of diverse subassemblies. They also require clutches with low consumption and an excellent torque to space ratio that can disengage quasi free from residual torque.

APPLICATIONS:

Actuation of auxiliary power generating sets in agricultural machinery, municipal vehicles, textile machines, for compressor drives for refrigeration sets, booster sets in

BENEFITS INCLUDE

- Available in various executions e.g. flange-shaft, shaft-shaft and for through shaft arrangement
- Variety of designs e.g. for reception of a pump, with plug-in shaft and drive pulley with inbuilt bearings, connection for cardan shaft
- Combination variant with flexible coupling (2in1 Catalog is available in our Literature Library)
- Electromagnetically operated for clean, simple actuation
- Four-pole technology for high power density
- High switching frequency, short switching times
- Fixed and wear free power transmission without slip ring
- Diaphragm technology for torque transmission free from backlash and disengagement free from residual torque
- Low idling torque
- Diaphragms for low axial restoring forces
- Steel-steel friction combination, hardened for high wear resistance

Stromag Facilities

Europe

Germany

Hansastraße 120
59425 Unna - Germany
+49 (0) 23 03 102 0

*Clutches & Brakes, Couplings,
Geared Cam Limit Switches, Discs*

Dessauer Str. 10
06844 Dessau-Roßlau - Germany
+49 (0) 340 2190 0

Electromagnetic Clutches & Brakes

France

Avenue de l'Europe
18150 La Guerche sur L'Aubois - France
+33 (0)2 48 80 72 72

Disc Brakes & Drum Brakes

Great Britain

Amphill Road
Bedford, MK42 9RD - UK
+44 (0)1234 324347

*Electromagnetic Clutches & Brakes,
Industrial Caliper Brakes*

North America

USA

31 Industrial Park Road
New Hartford, CT 06057 - USA
860-238-4783

Electromagnetic Clutches & Brakes

300 Indiana Highway 212
Michigan City, IN 46360 - USA
219-874-5248

Couplings

2800 Fisher Rd.
Wichita Falls, TX 76302 - USA
940-723-3400

*Geared Cam Limit Switches,
Industrial Caliper & Drum Brakes*

South America

Brasil

Avenida João Paulo Ablas, 2970
Jardim da Glória, Cotia - SP,
06711-250 - Brasil
+55 (11) 4615-6300

*Flexible Couplings, Bearing
Isolators, and Coupling Guards*

Asia Pacific

China

T40B -5, No. 1765 Chuan Qiao Road
Pudong 201206, Shanghai - China
Tel +86 21-60580600

*Clutches & Brakes, Electromagnetic
Clutches & Brakes, Couplings, Industrial
Caliper & Drum Brakes, Discs, Geared
Cam Limit Switches*

India

Gat No.: 448/14, Shinde Vasti, Nighoje
Tal Khed, Pune- 410 501
+91 2135 622100

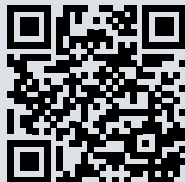
*Clutches & Brakes, Electromagnetic
Clutches & Brakes, Couplings, Industrial
Caliper & Drum Brakes, Discs, Geared
Cam Limit Switches, Wind Brakes*

Renewable Energy

Denmark

Jernbanevej 9
5882 Vejstrup
+45 63 255 255

Wind Brakes



Scan to see all
the brands of
Regal Rexnord

Neither the accuracy nor completeness of the information contained in this publication is guaranteed by the company and may be subject to change in its sole discretion. The operating and performance characteristics of these products may vary depending on the application, installation, operating conditions and environmental factors. The company's terms and conditions of sale can be viewed at <http://www.altramotion.com/terms-and-conditions/sales-terms-and-conditions>. These terms and conditions apply to any person who may buy, acquire or use a product referred to herein, including any person who buys from a licensed distributor of these branded products.

©2023 by Stromag LLC. All rights reserved. All trademarks in this publication are the sole and exclusive property of Stromag LLC or one of its affiliated companies.



A REGAL REXNORD BRAND

www.stromag.com

P-8315-SG-A4 07/23