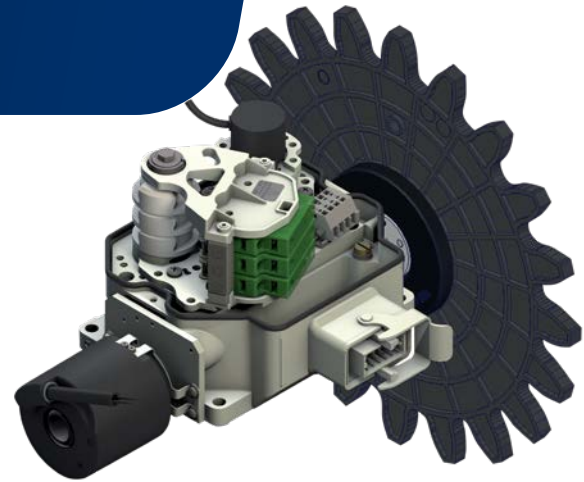


LIGHT CAM® M

WITH ALUMINUM HOUSING



Stromag Light Cam® M with externally driven absolute encoder

Proven technology of Stromag Light Cam® M with extended integration of for example up to 3 galvanically separated double contacts with positive opening (NC/NC or NC/NO) in robust aluminum die cast housing.

Of course all mounting dimensions are compatible with Stromag Light Cam® with PBT cover.

APPLICATIONS

Cranes, Wind Turbines, Heavy Duty applications

BENEFITS INCLUDE

- On request pre-set configured switch off points with highest precision with easy and safe cam adjustment
- Usage of Stromag Geared Cam Limit Switches in accordance with GL
- Customer specific solution (i.e. pluggable connections, grounding etc.)
- Robust housing made of aluminum die cast
- Galvanically separated double contacts of type NC/NC and NC/NO can be used in addition
- Approvals CE, cUL, CSA, CCC

TECHNICAL DATA

Gear ratios from 1.0:0 to 1:1320

Up to 3 NC/NC or NC/NO or up to 8 change over switching contacts

Incremental and absolute encoder assembly possible in- and outside

Easy and quick adjustment of cams

High environmental protection IP66

www.stromag.com

Hansastraße 120 | 59425 Unna - Germany
+49 2303 102-0