

UNIBRAKE® AC Motor Brakes



Warner Electric UNIBRAKE® Decelerates or Holds Loads When Power is Off

Page 4-9



C-Face, Power-Off Brakes

Single C-Face Power-Off Brakes are designed to decelerate or hold inertia loads when the power is turned off. The single C-Face mounts on the non-driven end of a motor. Brakes are available from 3 ft. lb. to 15 ft. lb.

Page 10-13



C-Face, Power-Off Brakes with Heavy-Duty Enclosures

Our Single C-Face Power-Off Brake is also available with cast iron housing for applications involving corrosive environments. The heavy-duty housing also includes o-ring seals to create a dust-tight brake. Brakes are available from 3 ft. lb. to 15 ft. lb.

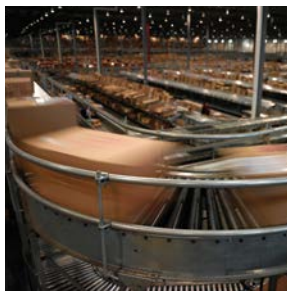
Page 14-17



Double C-Face, Power-Off Brakes

The Double C-Face Brake is designed for use as a coupler between standard C-Face motors and C-Face gear reducers.

UNIBRAKE® is Available to Meet the Demands of a Wide Variety of Applications



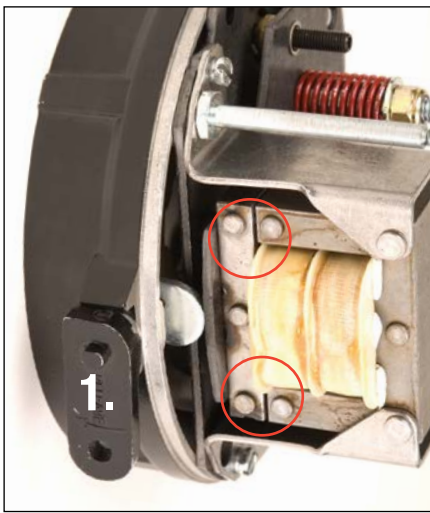
Applications

The motor brakes are commonly used as parking brakes to hold a load in place or as stopping brakes to dynamically decelerate a load. Applications include: Material Handling, Food Processing and Machine Tools.

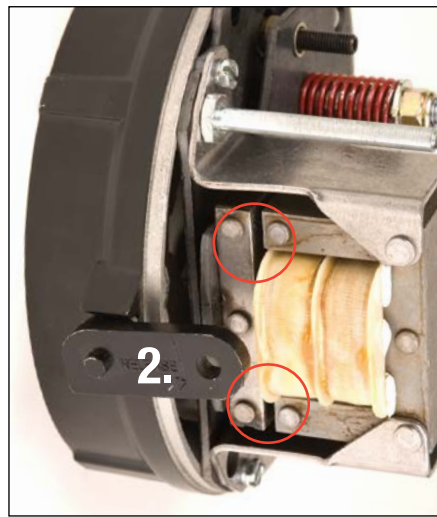
Spring Applied — Power-Off Operation

Warner Electric spring applied motor brakes are designed to decelerate or park inertial loads when the voltage is turned off, either intentionally or accidentally, as in the case of power failure. The friction disc with the hub is coupled to the motor shaft to be braked but is capable of moving axially. When power is off, a spring force clamps the friction disc between a pressure plate and a stationary plate, hence retarding motion. When an AC voltage is applied, the solenoid creates a Direct Acting magnetic force which releases the friction disc without the use of a linkage. This allows the hub and motor shaft to turn freely.

Simple design with fewer moving parts means less downtime



1. When the motor is 'off', the driven load can be moved without energizing the motor by rotating the manual release lever 90° clockwise which removes the retarding torque from the motor shaft.



2. The lever returns to the normal "set" position when the brake is re-energized.

Features

- External manual release lever
- Totally enclosed construction
- Torque adjustable from full rated torque down to 50%
- Single phase AC coils provide fast engagement and release times and easy wiring.

Mounting

Two styles are available: the single C-Face brake and the double C-Face brake. The single C-Face mounts on the non-driven end of a motor. The C-Face brake is interchangeable with existing brakes and can be used on motors that are modified to accept a brake. The double C-Face brake can be used as a coupler between standard C-Face motors and C-Face gear reducers. All motor brakes are interchangeable with competitive motor brakes.

C-Face Power-Off Brakes

F Series AC Rear-Mounted Brakes with NEMA 2 Housing Aluminum Head-Steel Cover

56,000 NEMA 2 ; 56,100 NEMA 2 ; 56,300 NEMA 1



Warner Electric Single C-Face Power-Off Brakes are designed to decelerate or hold inertia loads when the power is turned off. The single C-Face mounts on the non-driven end of a motor. Brakes are available from 3 ft. lb. to 15 ft. lb.

Features:

- External manual release lever
- Totally enclosed construction
- Torque adjustable from full-rated torque down to 50%
- Single-phase AC coils to provide fast release times and easy wiring
- Single C-Face

Brake Part Numbers

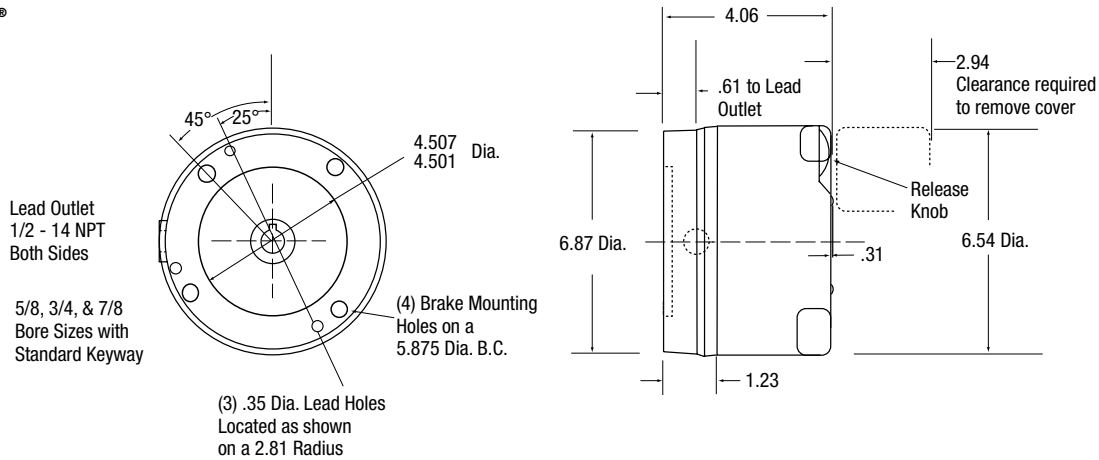
Technical Data

Coil Voltage	3 ft. lb. Brakes (1 Disc)	6 ft. lb. Brakes (1 Disc)	10 ft. lb. Brakes (2 Discs)	15 ft. lb. Brakes (3 Discs)	Current Holding Amps	Current Inrush Amps
5/8 Bore Hub						
115/230, 60 HZ	F51A0321-W	F51A0621-W	F52A0721-W	F53A0821-W	.50/.25	3.66/1.83
230/460, 60 HZ	F51A0324-W	F51A0624-W	F52A0724-W	F53A0824-W	.28/.14	1.94/.97
287/575, 60 HZ	F51A0325-W	F51A0625-W	F52A0725-W	F53A0825-W	.22/.11	1.54/.77
115/230, 50 HZ	F51A0328-W	F51A0628-W	F52A0728-W	F53A0828-W	.45/.22	3.27/1.64
230/460, 50 HZ	F51A0329-W	F51A0629-W	F52A0729-W	F53A0829-W	.24/.12	1.76/.88
3/4 Bore Hub						
115/230, 60 HZ	F51B0321-W	F51B0621-W	F52B0721-W	F53B0821-W	.50/.25	3.66/1.83
230/460, 60 HZ	F51B0324-W	F51B0624-W	F52B0724-W	F53B0824-W	.28/.14	1.94/.97
287/575, 60 HZ	F51B0325-W	F51B0625-W	F52B0725-W	F53B0825-W	.22/.11	1.54/.77
115/230, 50 HZ	F51B0328-W	F51B0628-W	F52B0728-W	F53B0828-W	.45/.22	3.27/1.64
230/460, 50 HZ	F51B0329-W	F51B0629-W	F52B0729-W	F53B0829-W	.24/.12	1.76/.88
7/8 Bore Hub						
115/230, 60 HZ	F51C0321-W	F51C0621-W	F52C0721-W	F53C0821-W	.50/.25	3.66/1.83
230/460, 60 HZ	F51C0324-W	F51C0624-W	F52C0724-W	F53C0824-W	.28/.14	1.94/.97
287/575, 60 HZ	F51C0325-W	F51C0625-W	F52C0725-W	F53C0825-W	.22/.11	1.54/.77
115/230, 50 HZ	F51C0328-W	F51C0628-W	F52C0728-W	F53C0828-W	.45/.22	3.27/1.64
230/460, 50 HZ	F51C0329-W	F51C0629-W	F52C0729-W	F53C0829-W	.24/.12	1.76/.88

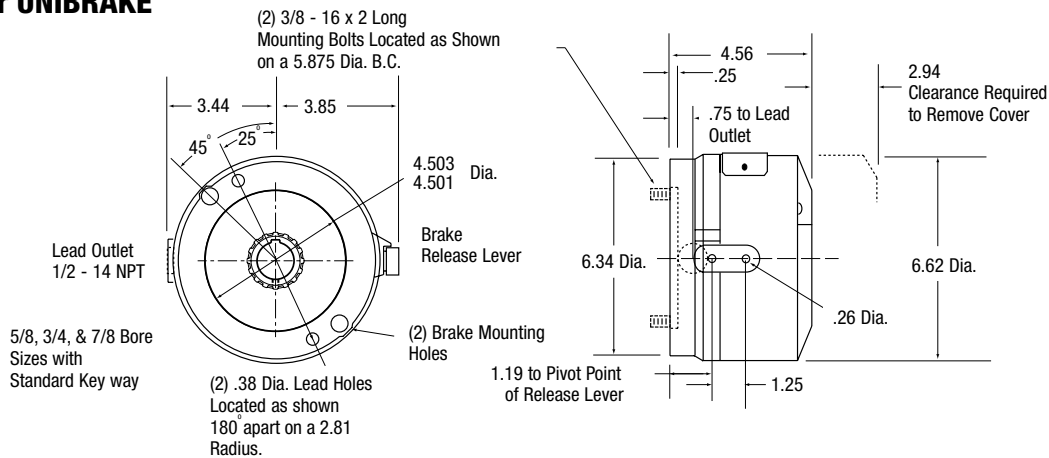
C-Face Power-Off Brakes

F Series AC Rear-Mounted Brakes with NEMA 2 Housing Aluminum Head-Steel Cover 56,000 NEMA 2

Stearns®



Warner UNIBRAKE®



UNIBRAKE® Interchange

Stearns® Part Number	Warner Electric Replacement	Stearns® Part Number	Warner Electric Replacement	Stearns® Part Number	Warner Electric Replacement
1-056-011-00-BNF	F51A0325-W	1-056-021-00-CNF	F51B0625-W	1-056-031-00-DNF	F52C0725-W
1-056-011-00-BOF	F51A0328-W	1-056-021-00-COF	F51B0628-W	1-056-031-00-DOF	F52C0728-W
1-056-011-00-BPF	F51A0321-W	1-056-021-00-CPF	F51B0621-W	1-056-031-00-DPF	F52C0721-W
1-056-011-00-BQF	F51A0324-W	1-056-021-00-CQF	F51B0624-W	1-056-031-00-DQF	F52C0724-W
1-056-011-00-CNF	F51B0325-W	1-056-021-00-DNF	F51C0625-W	1-056-041-00-BNF	F53A0825-W
1-056-011-00-COF	F51B0328-W	1-056-021-00-DOF	F51C0628-W	1-056-041-00-BOF	F53A0828-W
1-056-011-00-CPF	F51B0321-W	1-056-021-00-DPF	F51C0621-W	1-056-041-00-BPF	F53A0821-W
1-056-011-00-CQF	F51B0324-W	1-056-021-00-DQF	F51C0624-W	1-056-041-00-BQF	F53A0824-W
1-056-011-00-DNF	F51C0325-W	1-056-031-00-BNF	F52A0725-W	1-056-041-00-CNF	F53B0825-W
1-056-011-00-DOF	F51C0328-W	1-056-031-00-BOF	F52A0728-W	1-056-041-00-COF	F53B0828-W
1-056-011-00-DPF	F51C0321-W	1-056-031-00-BPF	F52A0721-W	1-056-041-00-CPF	F53B0821-W
1-056-011-00-DQF	F51C0324-W	1-056-031-00-BQF	F52A0724-W	1-056-041-00-CQF	F53B0824-W
1-056-021-00-BNF	F51A0625-W	1-056-031-00-CNF	F52B0725-W	1-056-041-00-DNF	F53C0825-W
1-056-021-00-BOF	F51A0628-W	1-056-031-00-COF	F52B0728-W	1-056-041-00-DOF	F53C0828-W
1-056-021-00-BPF	F51A0621-W	1-056-031-00-CPF	F52B0721-W	1-056-041-00-DPF	F53C0821-W
1-056-021-00-BQF	F51A0624-W	1-056-031-00-CQF	F52B0724-W	1-056-041-00-DQF	F53C0824-W

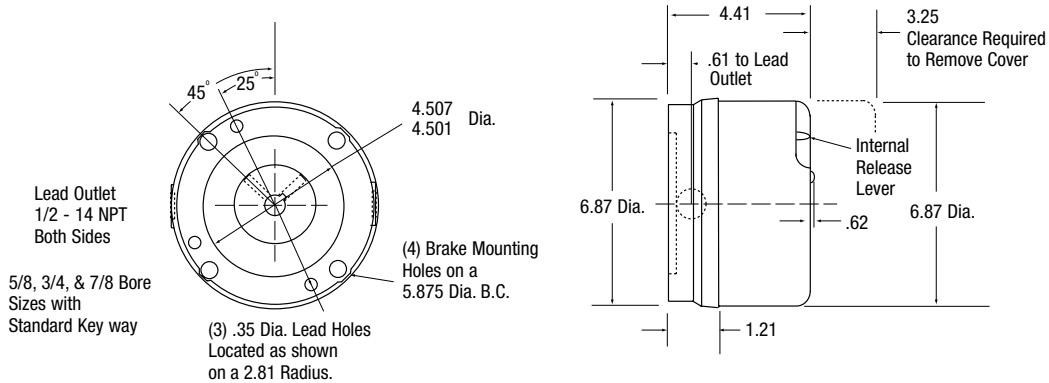
C-Face Power-Off Brakes

F Series AC Rear-Mounted Brakes with NEMA 2 Housing

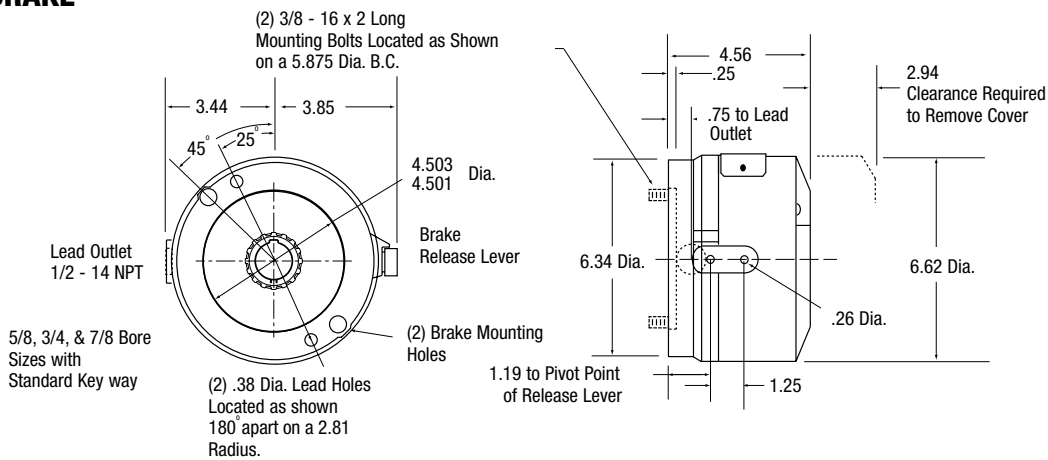
Aluminum Head-Steel Cover

56,100 NEMA 2

Stearns®



Warner UNIBRAKE®



UNIBRAKE® Interchange

Stearns® Part Number	Warner Electric Replacement	Stearns® Part Number	Warner Electric Replacement	Stearns® Part Number	Warner Electric Replacement
1-056-111-00-BNF	F51A0325-W	1-056-121-00-CNF	F51B0625-W	1-056-131-00-DNF	F52C0725-W
1-056-111-00-BOF	F51A0328-W	1-056-121-00-COF	F51B0628-W	1-056-131-00-DOF	F52C0728-W
1-056-111-00-BPF	F51A0321-W	1-056-121-00-CPF	F51B0621-W	1-056-131-00-DPF	F52C0721-W
1-056-111-00-BQF	F51A0324-W	1-056-121-00-CQF	F51B0624-W	1-056-131-00-DQF	F52C0724-W
1-056-111-00-CNF	F51B0325-W	1-056-121-00-DNF	F51C0625-W	1-056-141-00-BNF	F53A0825-W
1-056-111-00-COF	F51B0328-W	1-056-121-00-DOF	F51C0628-W	1-056-141-00-BOF	F53A0828-W
1-056-111-00-CPF	F51B0321-W	1-056-121-00-DPF	F51C0621-W	1-056-141-00-BPF	F53A0821-W
1-056-111-00-CQF	F51B0324-W	1-056-121-00-DQF	F51C0624-W	1-056-141-00-BQF	F53A0824-W
1-056-111-00-DNF	F51C0325-W	1-056-131-00-BNF	F52A0725-W	1-056-141-00-CNF	F53B0825-W
1-056-111-00-DOF	F51C0328-W	1-056-131-00-BOF	F52A0728-W	1-056-141-00-COF	F53B0828-W
1-056-111-00-DPF	F51C0321-W	1-056-131-00-BPF	F52A0721-W	1-056-141-00-CPF	F53B0821-W
1-056-111-00-DQF	F51C0324-W	1-056-131-00-BQF	F52A0724-W	1-056-141-00-CQF	F53B0824-W
1-056-121-00-BNF	F51A0625-W	1-056-131-00-CNF	F52B0725-W	1-056-141-00-DNF	F53C0825-W
1-056-121-00-BOF	F51A0628-W	1-056-131-00-COF	F52B0728-W	1-056-141-00-DOF	F53C0828-W
1-056-121-00-BPF	F51A0621-W	1-056-131-00-CPF	F52B0721-W	1-056-141-00-DPF	F53C0821-W
1-056-121-00-BQF	F51A0624-W	1-056-131-00-CQF	F52B0724-W	1-056-141-00-DQF	F53C0824-W

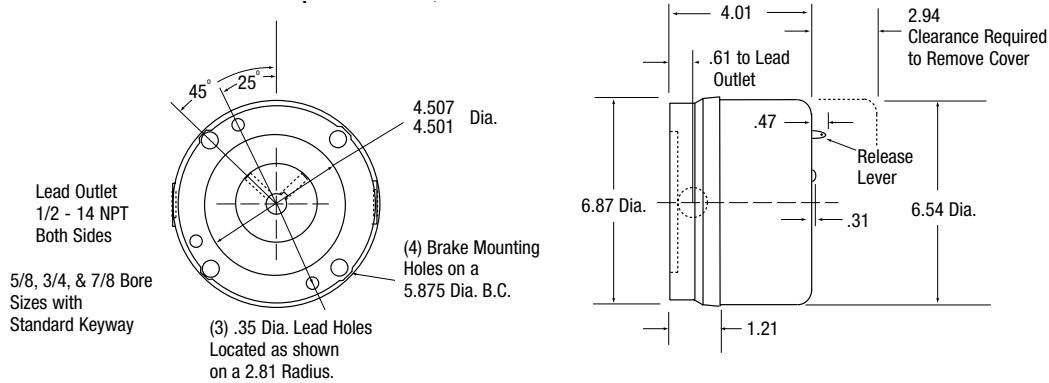
C-Face Power-Off Brakes

F Series AC Rear-Mounted Brakes with NEMA 1 Housing

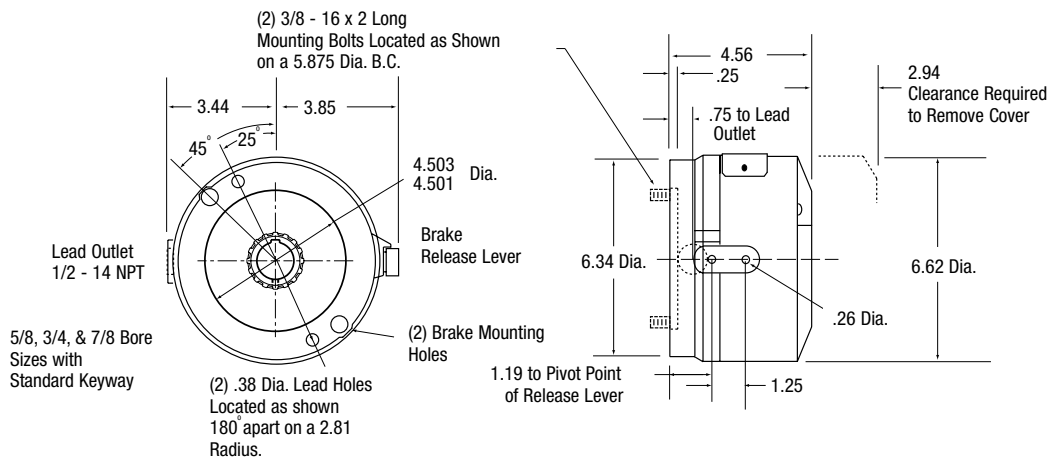
Aluminum Head-Steel Cover

56,300 NEMA 1

Stearns®



Warner UNIBRAKE®



UNIBRAKE® Interchange

Stearns® Part Number	Warner Electric Replacement	Stearns® Part Number	Warner Electric Replacement	Stearns® Part Number	Warner Electric Replacement
1-056-311-00-BNF	F51A0325-W	1-056-321-00-CNF	F51B0625-W	1-056-331-00-DNF	F52C0725-W
1-056-311-00-BOF	F51A0328-W	1-056-321-00-COF	F51B0628-W	1-056-331-00-DOF	F52C0728-W
1-056-311-00-BPF	F51A0321-W	1-056-321-00-CPF	F51B0621-W	1-056-331-00-DPF	F52C0721-W
1-056-311-00-BQF	F51A0324-W	1-056-321-00-CQF	F51B0624-W	1-056-331-00-DQF	F52C0724-W
1-056-311-00-CNF	F51B0325-W	1-056-321-00-DNF	F51C0625-W	1-056-341-00-BNF	F53A0825-W
1-056-311-00-COF	F51B0328-W	1-056-321-00-DOF	F51C0628-W	1-056-341-00-BOF	F53A0828-W
1-056-311-00-CPF	F51B0321-W	1-056-321-00-DPF	F51C0621-W	1-056-341-00-BPF	F53A0821-W
1-056-311-00-CQF	F51B0324-W	1-056-321-00-DQF	F51C0624-W	1-056-341-00-BQF	F53A0824-W
1-056-311-00-DNF	F51C0325-W	1-056-331-00-BNF	F52A0725-W	1-056-341-00-CNF	F53B0825-W
1-056-311-00-DOF	F51C0328-W	1-056-331-00-BOF	F52A0728-W	1-056-341-00-COF	F53B0828-W
1-056-311-00-DPF	F51C0321-W	1-056-331-00-BPF	F52A0721-W	1-056-341-00-CPF	F53B0821-W
1-056-311-00-DQF	F51C0324-W	1-056-331-00-BQF	F52A0724-W	1-056-341-00-CQF	F53B0824-W
1-056-321-00-BNF	F51A0625-W	1-056-331-00-CNF	F52B0725-W	1-056-341-00-DNF	F53C0825-W
1-056-321-00-BOF	F51A0628-W	1-056-331-00-COF	F52B0728-W	1-056-341-00-DOF	F53C0828-W
1-056-321-00-BPF	F51A0621-W	1-056-331-00-CPF	F52B0721-W	1-056-341-00-DPF	F53C0821-W
1-056-321-00-BQF	F51A0624-W	1-056-331-00-CQF	F52B0724-W	1-056-341-00-DQF	F53C0824-W

C-Face Power-Off Brakes

F Series AC Rear-Mounted Brakes with NEMA 2 Housing

Cast Iron Head-Steel Cover

56,400 NEMA 2



Warner Electric Single C-Face Power-Off Brakes are designed to decelerate or hold inertia loads when the power is turned off. The single C-Face mounts on the non-driven end of a motor. Brakes are available from 3 ft. lb. to 15 ft. lb.

Features:

- External manual release lever
- Totally enclosed construction
- Torque adjustable from full-rated torque down to 50%
- Single-phase AC coils to provide fast release times and easy wiring
- Single C-Face

Brake Part Numbers

Technical Data

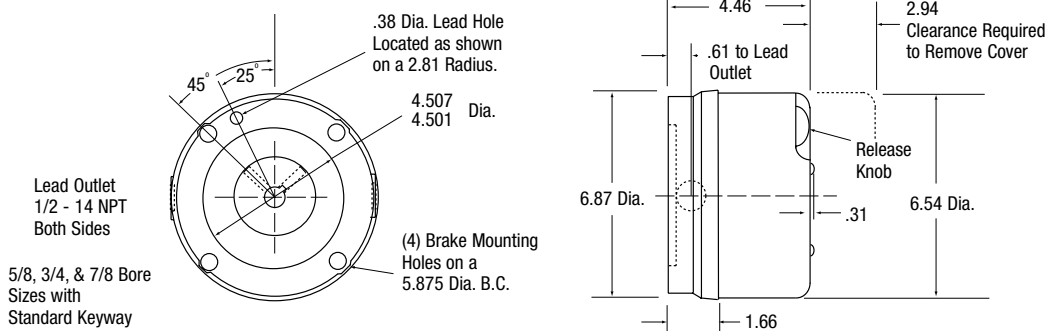
Coil Voltage	3 ft. lb. Brakes (1 Disc)	6 ft. lb. Brakes (1 Disc)	10 ft. lb. Brakes (2 Discs)	15 ft. lb. Brakes (3 Discs)	Current Holding Amps	Current Inrush Amps
5/8 Bore Hub						
115/230, 60 HZ	F51A7321-W	F51A7621-W	F52A7721-W	F53A7821-W	.50/.25	3.66/1.83
230/460, 60 HZ	F51A7324-W	F51A7624-W	F52A7724-W	F53A7824-W	.28/.14	1.94/.97
287/575, 60 HZ	F51A7325-W	F51A7625-W	F52A7725-W	F53A7825-W	.22/.11	1.54/.77
115/230, 50 HZ	F51A7328-W	F51A7628-W	F52A7728-W	F53A7828-W	.45/.22	3.27/1.64
230/460, 50 HZ	F51A7329-W	F51A7629-W	F52A7729-W	F53A7829-W	.24/.12	1.76/.88
3/4 Bore Hub						
115/230, 60 HZ	F51B7321-W	F51B7621-W	F52B7721-W	F53B7821-W	.50/.25	3.66/1.83
230/460, 60 HZ	F51B7324-W	F51B7624-W	F52B7724-W	F53B7824-W	.28/.14	1.94/.97-W
287/575, 60 HZ	F51B7325-W	F51B7625-W	F52B7725-W	F53B7825-W	.22/.11	1.54/.77
115/230, 50 HZ	F51B7328-W	F51B7628-W	F52B7728-W	F53B7828-W	.45/.22	3.27/1.64
230/460, 50 HZ	F51B7329-W	F51B7629-W	F52B7729-W	F53B7829-W	.24/.12	1.76/.88
7/8 Bore Hub						
115/230, 60 HZ	F51C7321-W	F51C7621-W	F52C7721-W	F53C7821-W	.50/.25	3.66/1.83
230/460, 60 HZ	F51C7324-W	F51C7624-W	F52C7724-W	F53C7824-W	.28/.14	1.94/.97
287/575, 60 HZ	F51C7325-W	F51C7625-W	F52C7725-W	F53C7825-W	.22/.11	1.54/.77
115/230, 50 HZ	F51C7328-W	F51C7628-W	F52C7728-W	F53C7828-W	.45/.22	3.27/1.64
230/460, 50 HZ	F51C7329-W	F51C7629-W	F52C7729-W	F53C7829-W	.24/.12	1.76/.88

C-Face Power-Off Brakes

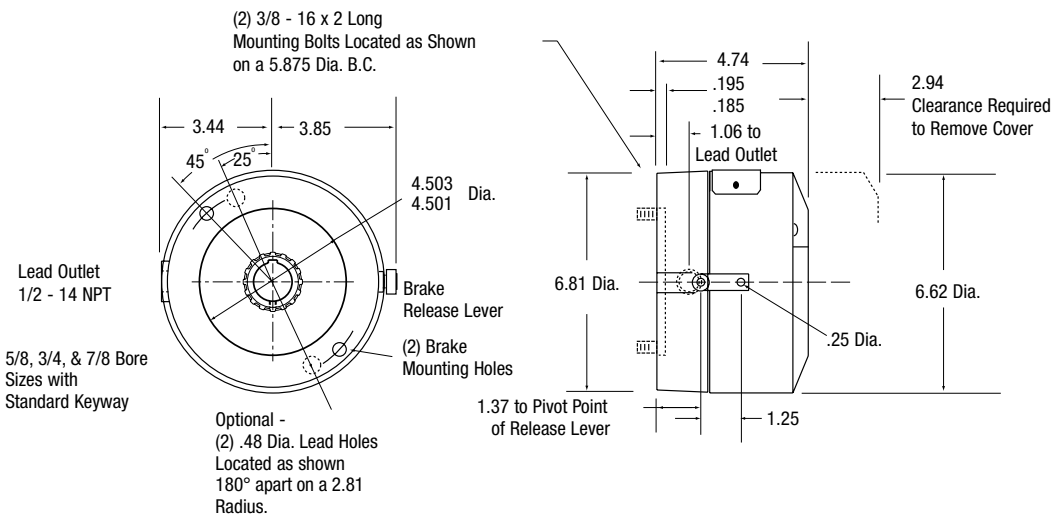
F Series AC Rear-Mounted Brakes with NEMA 2 Housing Cast Iron Head-Steel Cover

56,400 NEMA 2

Stearns®



Warner UNIBRAKE®



UNIBRAKE® Interchange

Stearns® Part Number	Warner Electric Replacement	Stearns® Part Number	Warner Electric Replacement	Stearns® Part Number	Warner Electric Replacement
1-056-331-00-DNF	F52C0725-W	1-056-421-00-CNF	F51B7625-W	1-056-431-00-DNF	F52C7725-W
1-056-331-00-DOF	F52C0728-W	1-056-421-00-COF	F51B7628-W	1-056-431-00-DOF	F52C7728-W
1-056-331-00-DPF	F52C0721-W	1-056-421-00-CPF	F51B7621-W	1-056-431-00-DPF	F52C7721-W
1-056-331-00-DQF	F52C0724-W	1-056-421-00-CQF	F51B7624-W	1-056-431-00-DQF	F52C7724-W
1-056-341-00-BNF	F53A0825-W	1-056-421-00-DNF	F51C7625-W	1-056-441-00-BNF	F53A7825-W
1-056-341-00-BOF	F53A0828-W	1-056-421-00-DOF	F51C7628-W	1-056-441-00-BOF	F53A7828-W
1-056-341-00-BPF	F53A0821-W	1-056-421-00-DPF	F51C7621-W	1-056-441-00-BPF	F53A7821-W
1-056-341-00-BQF	F53A0824-W	1-056-421-00-DQF	F51C7624-W	1-056-441-00-BQF	F53A7824-W
1-056-341-00-CNF	F53B0825-W	1-056-431-00-BNF	F52A7725-W	1-056-441-00-CNF	F53B7825-W
1-056-341-00-COF	F53B0828-W	1-056-431-00-BOF	F52A7728-W	1-056-441-00-COF	F53B7828-W
1-056-341-00-CPF	F53B0821-W	1-056-431-00-BPF	F52A7721-W	1-056-441-00-CPF	F53B7821-W
1-056-341-00-CQF	F53B0824-W	1-056-431-00-BQF	F52A7724-W	1-056-441-00-CQF	F53B7824-W
1-056-341-00-DNF	F53C0825-W	1-056-431-00-CNF	F52B7725-W	1-056-441-00-DNF	F53C7825-W
1-056-341-00-DOF	F53C0828-W	1-056-431-00-COF	F52B7728-W	1-056-441-00-DOF	F53C7828-W
1-056-341-00-DPF	F53C0821-W	1-056-431-00-CPF	F52B7721-W	1-056-441-00-DPF	F53C7821-W
1-056-341-00-DQF	F53C0824-W	1-056-431-00-CQF	F52B7724-W	1-056-441-00-DQF	F53C7824-W

C-Face Power-Off Brakes with Heavy-Duty Enclosures

F Series AC Rear-Mounted Brakes with NEMA 2 Housing

Cast Iron Head and Cover

56,200 NEMA 2



Warner Electric Single C-Face Power-Off Brake is also available with cast iron housing for applications involving corrosive environments. Brakes are available from 3 ft. lb. to 15 ft. lb.

Features:

- External manual release lever
- Totally enclosed construction
- Torque adjustable from full-rated torque down to 50%
- Single-phase AC coils to provide fast release times and easy wiring
- Single C-Face

Brake Part Numbers

Technical Data

Coil Voltage	3 ft. lb. Brakes (1 Disc)	6 ft. lb. Brakes (1 Disc)	10 ft. lb. Brakes (2 Discs)	15 ft. lb. Brakes (3 Discs)	Current Holding Amps	Current Inrush Amps
5/8 Bore Hub						
115/230, 60 HZ	F51A8311-W	F51A8611-W	F52A8711-W	F53A8811-W	.50/.25	3.66/1.83
230/460, 60 HZ	F51A8314-W	F51A8614-W	F52A8714-W	F53A8814-W	.28/.14	1.94/.97
287/575, 60 HZ	F51A8315-W	F51A8615-W	F52A8715-W	F53A8815-W	.22/.11	1.54/.77
115/230, 50 HZ	F51A8318-W	F51A8618-W	F52A8718-W	F53A8818-W	.45/.22	3.27/1.64
230/460, 50 HZ	F51A8319-W	F51A8619-W	F52A8719-W	F53A8819-W	.24/.12	1.76/.88
3/4 Bore Hub						
115/230, 60 HZ	F51B8311-W	F51B8611-W	F52B8711-W	F53B8811-W	.50/.25	3.66/1.83
230/460, 60 HZ	F51B8314-W	F51B8614-W	F52B8714-W	F53B8814-W	.28/.14	1.94/.97
287/575, 60 HZ	F51B8315-W	F51B8615-W	F52B8715-W	F53B8815-W	.22/.11	1.54/.77
115/230, 50 HZ	F51B8318-W	F51B8618-W	F52B8718-W	F53B8818-W	.45/.22	3.27/1.64
230/460, 50 HZ	F51B8319-W	F51B8619-W	F52B8719-W	F53B8819-W	.24/.12	1.76/.88
7/8 Bore Hub						
115/230, 60 HZ	F51C8311-W	F51C8611-W	F52C8711-W	F53C8811-W	.50/.25	3.66/1.83
230/460, 60 HZ	F51C8314-W	F51C8614-W	F52C8714-W	F53C8814-W	.28/.14	1.94/.97
287/575, 60 HZ	F51C8315-W	F51C8615-W	F52C8715-W	F53C8815-W	.22/.11	1.54/.77
115/230, 50 HZ	F51C8318-W	F51C8618-W	F52C8718-W	F53C8818-W	.45/.22	3.27/1.64
230/460, 50 HZ	F51C8319-W	F51C8619-W	F52C8719-W	F53C8819-W	.24/.12	1.76/.88

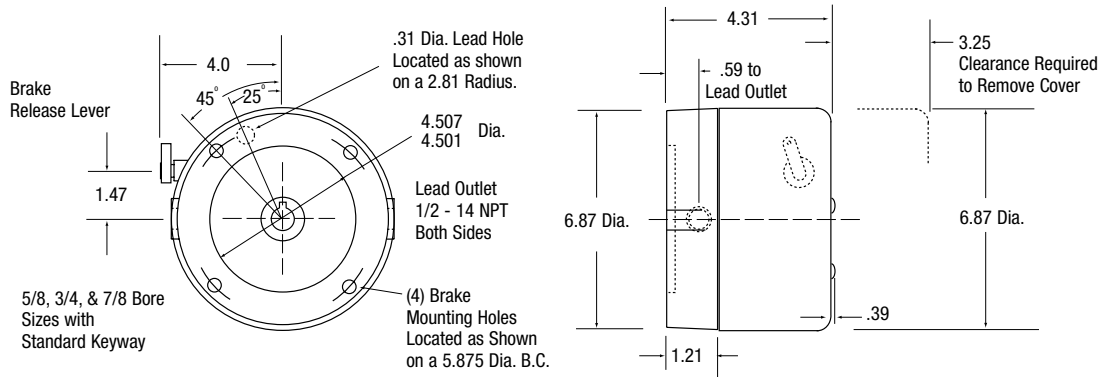
C-Face Power-Off Brakes with Heavy-Duty Enclosures

F Series AC Rear-Mounted Brakes with NEMA 2 Housing

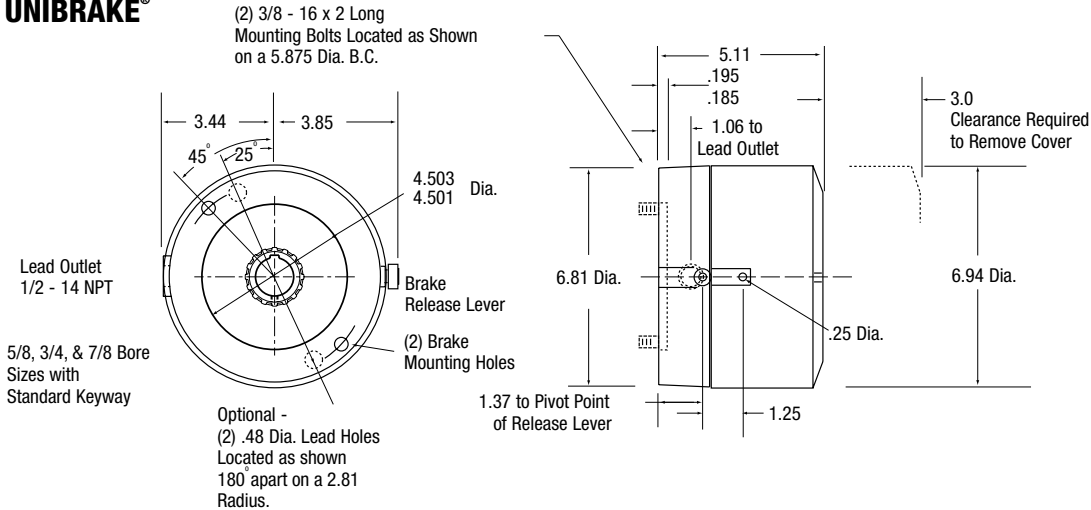
Cast Iron Head and Cover

56,200 NEMA 2

Stearns®



Warner UNIBRAKE®



UNIBRAKE® Interchange

Stearns® Part Number	Warner Electric Replacement	Stearns® Part Number	Warner Electric Replacement	Stearns® Part Number	Warner Electric Replacement
1-056-211-00-BNF	F51A8315-W	1-056-221-00-CNF	F51B8615-W	1-056-231-00-DNF	F52C8715-W
1-056-211-00-BOF	F51A8318-W	1-056-221-00-COF	F51B8618-W	1-056-231-00-DOF	F52C8718-W
1-056-211-00-BPF	F51A8311-W	1-056-221-00-CPF	F51B8611-W	1-056-231-00-DPF	F52C8711-W
1-056-211-00-BQF	F51A8314-W	1-056-221-00-CQF	F51B8614-W	1-056-231-00-DQF	F52C8714-W
1-056-211-00-CNF	F51B8315-W	1-056-221-00-DNF	F51C8615-W	1-056-241-00-BNF	F53A8815-W
1-056-211-00-COF	F51B8318-W	1-056-221-00-DOF	F51C8618-W	1-056-241-00-BOF	F53A8818-W
1-056-211-00-CPF	F51B8311-W	1-056-221-00-DPF	F51C8611-W	1-056-241-00-BPF	F53A8811-W
1-056-211-00-CQF	F51B8314-W	1-056-221-00-DQF	F51C8614-W	1-056-241-00-BQF	F53A8814-W
1-056-211-00-DNF	F51C8315-W	1-056-231-00-BNF	F52A8715-W	1-056-241-00-CNF	F53B8815-W
1-056-211-00-DOF	F51C8318-W	1-056-231-00-BOF	F52A8718-W	1-056-241-00-COF	F53B8818-W
1-056-211-00-DPF	F51C8311-W	1-056-231-00-BPF	F52A8711-W	1-056-241-00-CPF	F53B8811-W
1-056-211-00-DQF	F51C8314-W	1-056-231-00-BQF	F52A8714-W	1-056-241-00-CQF	F53B8814-W
1-056-221-00-BNF	F51A8615-W	1-056-231-00-CNF	F52B8715-W	1-056-241-00-DNF	F53C8815-W
1-056-221-00-BOF	F51A8618-W	1-056-231-00-COF	F52B8718-W	1-056-241-00-DOF	F53C8818-W
1-056-221-00-BPF	F51A8611-W	1-056-231-00-CPF	F52B8711-W	1-056-241-00-DPF	F53C8811-W
1-056-221-00-BQF	F51A8614-W	1-056-231-00-CQF	F52B8714-W	1-056-241-00-DQF	F53C8814-W

C-Face Power-Off Brakes with Heavy-Duty Enclosures

F Series AC Rear-Mounted Brakes with NEMA 4 Housing

Cast Iron Head and Cover

56,200 NEMA 4



Warner Electric Single C-Face Power-Off Brake is also available with cast iron housing for applications involving corrosive environments. The heavy-duty housing also includes o-ring seals to create a dust-tight brake. Brakes are available from 3 ft. lb. to 15 ft. lb.

Features:

- External manual release lever
- Totally enclosed construction
- Torque adjustable from full-rated torque down to 50%
- Single-phase AC coils to provide fast release times and easy wiring
- Single C-Face

Brake Part Numbers

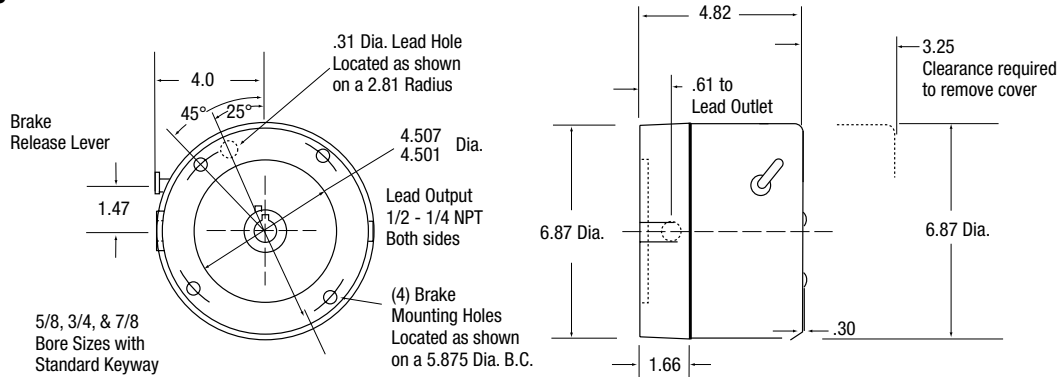
Technical Data

Coil Voltage	3 ft. lb. Brakes (1 Disc)	6 ft. lb. Brakes (1 Disc)	10 ft. lb. Brakes (2 Discs)	15 ft. lb. Brakes (3 Discs)	Current Holding Amps	Current Inrush Amps
5/8 Bore Hub						
115/230, 60 HZ	F51A1311-W	F51A1611-W	F52A1711-W	F53A1811-W	.50/.25	3.66/1.83
230/460, 60 HZ	F51A1314-W	F51A1614-W	F52A1714-W	F53A1814-W	.28/.14	1.94/.97
287/575, 60 HZ	F51A1315-W	F51A1615-W	F52A1715-W	F53A1815-W	.22/.11	1.54/.77
115/230, 50 HZ	F51A1318-W	F51A1618-W	F52A1718-W	F53A1818-W	.45/.22	3.27/1.64
230/460, 50 HZ	F51A1319-W	F51A1619-W	F52A1719-W	F53A1819-W	.24/.12	1.76/.88
3/4 Bore Hub						
115/230, 60 HZ	F51B1311-W	F51B1611-W	F52B1711-W	F53B1811-W	.50/.25	3.66/1.83
230/460, 60 HZ	F51B1314-W	F51B1614-W	F52B1714-W	F53B1814-W	.28/.14	1.94/.97
287/575, 60 HZ	F51B1315-W	F51B1615-W	F52B1715-W	F53B1815-W	.22/.11	1.54/.77
115/230, 50 HZ	F51B1318-W	F51B1618-W	F52B1718-W	F53B1818-W	.45/.22	3.27/1.64
230/460, 50 HZ	F51B1319-W	F51B1619-W	F52B1719-W	F53B1819-W	.24/.12	1.76/.88
7/8 Bore Hub						
115/230, 60 HZ	F51C1311-W	F51C1611-W	F52C1711-W	F53C1811-W	.50/.25	3.66/1.83
230/460, 60 HZ	F51C1314-W	F51C1614-W	F52C1714-W	F53C1814-W	.28/.14	1.94/.97
287/575, 60 HZ	F51C1315-W	F51C1615-W	F52C1715-W	F53C1815-W	.22/.11	1.54/.77
115/230, 50 HZ	F51C1318-W	F51C1618-W	F52C1718-W	F53C1818-W	.45/.22	3.27/1.64
230/460, 50 HZ	F51C1319-W	F51C1619-W	F52C1719-W	F53C1819-W	.24/.12	1.76/.88

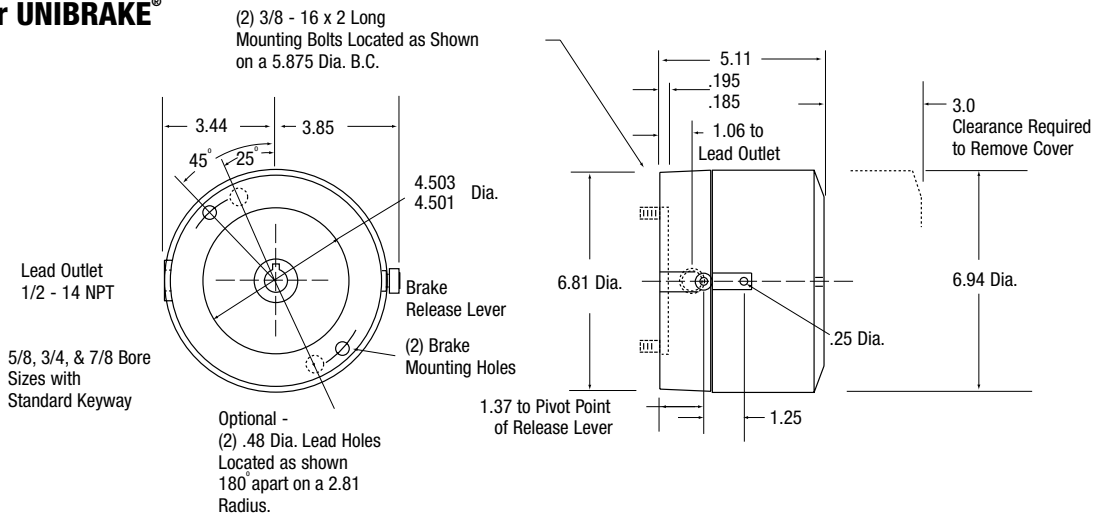
C-Face Power-Off Brakes with Heavy-Duty Enclosures

F Series AC Rear-Mounted Brakes with NEMA 4 Housing Cast Iron Head and Cover 56,200 NEMA 4

Stearns®



Warner UNIBRAKE®



UNIBRAKE® Interchange

Stearns® Part Number	Warner Electric Replacement	Stearns® Part Number	Warner Electric Replacement	Stearns® Part Number	Warner Electric Replacement
1-056-212-00-BNF	F51A1315-W	1-056-222-00-CNF	F51B1615-W	1-056-232-00-DNF	F52C1715-W
1-056-212-00-BOF	F51A1318-W	1-056-222-00-COF	F51B1618-W	1-056-232-00-DOF	F52C1718-W
1-056-212-00-BPF	F51A1311-W	1-056-222-00-CPF	F51B1611-W	1-056-232-00-DPF	F52C1711-W
1-056-212-00-BQF	F51A1314-W	1-056-222-00-CQF	F51B1614-W	1-056-232-00-DQF	F52C1714-W
1-056-212-00-CNF	F51B1315-W	1-056-222-00-DNF	F51C1615-W	1-056-242-00-BNF	F53A1815-W
1-056-212-00-COF	F51B1318-W	1-056-222-00-DOF	F51C1618-W	1-056-242-00-BOF	F53A1818-W
1-056-212-00-CPF	F51B1311-W	1-056-222-00-DPF	F51C1611-W	1-056-242-00-BPF	F53A1811-W
1-056-212-00-CQF	F51B1314-W	1-056-222-00-DQF	F51C1614-W	1-056-242-00-BQF	F53A1814-W
1-056-212-00-DNF	F51C1315-W	1-056-232-00-BNF	F52A1715-W	1-056-242-00-CNF	F53B1815-W
1-056-212-00-DOF	F51C1318-W	1-056-232-00-BOF	F52A1718-W	1-056-242-00-COF	F53B1818-W
1-056-212-00-DPF	F51C1311-W	1-056-232-00-BPF	F52A1711-W	1-056-242-00-CPF	F53B1811-W
1-056-212-00-DQF	F51C1314-W	1-056-232-00-BQF	F52A1714-W	1-056-242-00-CQF	F53B1814-W
1-056-222-00-BNF	F51A1615-W	1-056-232-00-CNF	F52B1715-W	1-056-242-00-DNF	F53C1815-W
1-056-222-00-BOF	F51A1618-W	1-056-232-00-COF	F52B1718-W	1-056-242-00-DOF	F53C1818-W
1-056-222-00-BPF	F51A1611-W	1-056-232-00-CPF	F52B1711-W	1-056-242-00-DPF	F53C1811-W
1-056-222-00-BQF	F51A1614-W	1-056-232-00-CQF	F52B1714-W	1-056-242-00-DQF	F53C1814-W

Double C-Face Power-Off Brakes

M Series AC Coupler Brakes with NEMA 2 Housing

Aluminum Head and Cover

56,700 NEMA 2



The Double C-Face Brake is designed for use as a coupler between standard C-Face motors and C-Face gear reducers.

Features:

- External manual release lever
- Totally enclosed construction
- Torque adjustable from full-rated torque down to 50%
- Single-phase AC coils to provide fast release times and easy wiring

Brake Part Numbers

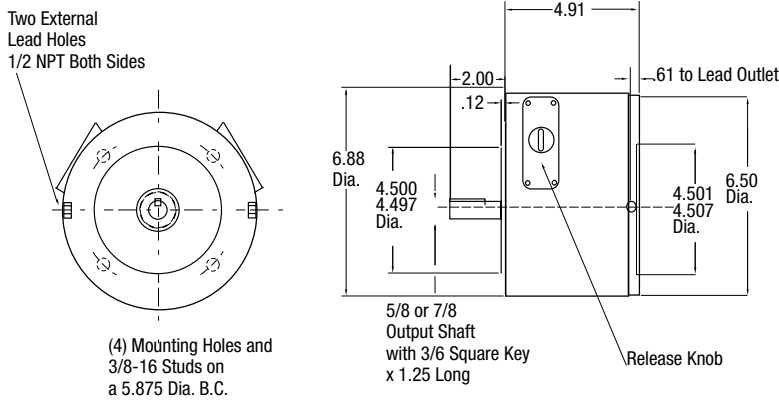
Technical Data

Coil Voltage	3 ft. lb. Brakes (1 Disc)	6 ft. lb. Brakes (1 Disc)	10 ft. lb. Brakes (2 Discs)	Current Holding Amps	Current Inrush Amps
5/8 Bore Shaft and Hub (56C)					
115/230, 60 HZ	M51A0321-W	M51A0621-W	M52A0721-W	.50/.25	3.66/1.83
230/460, 60 HZ	M51A0324-W	M51A0624-W	M52A0724-W	.28/.14	1.94/.97
287/575, 60 HZ	M51A0325-W	M51A0625-W	M52A0725-W	.22/.11	1.54/.77
115/230, 50 HZ	M51A0328-W	M51A0628-W	M52A0728-W	.45/.22	3.27/1.64
230/460, 50 HZ	M51A0329-W	M51A0629-W	M52A0729-W	.24/.12	1.76/.88
7/8 Bore Shaft and Hub (145TC)					
115/230, 60 HZ	M51C0321-W	M51C0621-W	M52C0721-W	.50/.25	3.66/1.83
230/460, 60 HZ	M51C0324-W	M51C0624-W	M52C0724-W	.28/.14	1.94/.97
287/575, 60 HZ	M51C0325-W	M51C0625-W	M52C0725-W	.22/.11	1.54/.77
115/230, 50 HZ	M51C0328-W	M51C0628-W	M52C0728-W	.45/.22	3.27/1.64
230/460, 50 HZ	M51C0329-W	M51C0629-W	M52C0729-W	.24/.12	1.76/.88

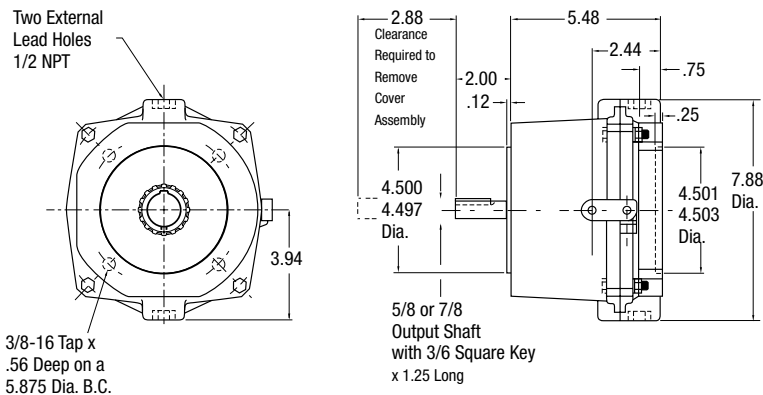
Double C-Face Power-Off Brakes

M Series AC Coupler Brakes with NEMA 2 Housing Aluminum Head and Cover 56,700 NEMA 2

Stearns®



Warner UNIBRAKE®



UNIBRAKE® Interchange

Stearns® Part Number	Warner Electric Replacement	Stearns® Part Number	Warner Electric Replacement	Stearns® Part Number	Warner Electric Replacement
1-056-711-05-NF	M51A0325-W	1-056-721-05-NF	M51A0625-W	1-056-731-05-NF	M52A0725-W
1-056-711-05-OF	M51A0328-W	1-056-721-05-OF	M51A0628-W	1-056-731-05-OF	M52A0728-W
1-056-711-05-PF	M51A0321-W	1-056-721-05-PF	M51A0621-W	1-056-731-05-PF	M52A0721-W
1-056-711-05-QF	M51A0324-W	1-056-721-05-QF	M51A0624-W	1-056-731-05-QF	M52A0724-W
1-056-711-07-NF	M51C0325-W	1-056-721-07-NF	M51C0625-W	1-056-731-07-NF	M52C0725-W
1-056-711-07-OF	M51C0328-W	1-056-721-07-OF	M51C0628-W	1-056-731-07-OF	M52C0728-W
1-056-711-07-PF	M51C0321-W	1-056-721-07-PF	M51C0621-W	1-056-731-07-PF	M52C0721-W
1-056-711-07-QF	M51C0324-W	1-056-721-07-QF	M51C0624-W	1-056-731-07-QF	M52C0724-W

Double C-Face Power-Off Brakes

M Series DC Coupler Brakes with NEMA 2 Housing

Aluminum Head and Cover

56,700 NEMA 2



The Double C-Face Brake is designed for use as a coupler between standard C-Face motors and C-Face gear reducers.

Features:

- External manual release lever
- Totally enclosed construction
- Torque adjustable from full-rated torque down to 50%
- DC coils to provide fast release times and easy wiring

Brake Part Numbers

Technical Data

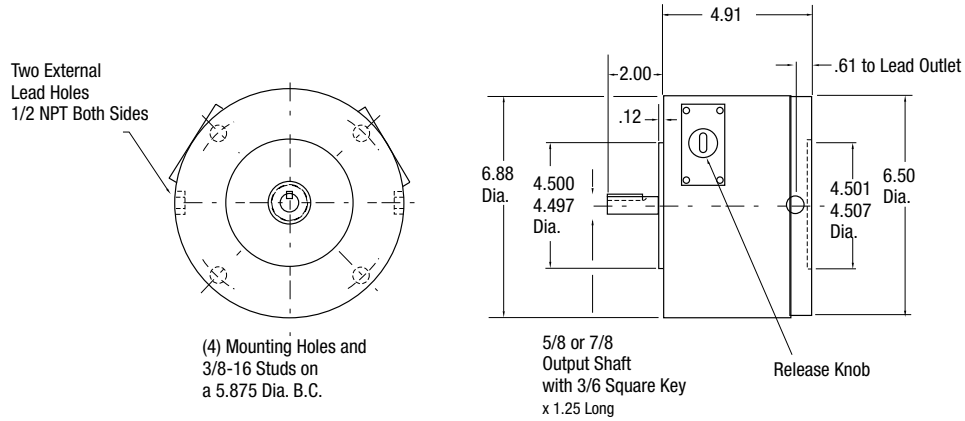
Coil Voltage	3 ft. lb. Brakes (1 Disc)	6 ft. lb. Brakes (2 Disc)	10 ft. lb. Brakes (3 Discs)	Current Holding Amps	Resistance Ohms
5/8 Bore Shaft and Hub (56C)					
24 VDC	M51A032Y-W	M52A062Y-W	M53A072Y-W	.91	26.4
90 VDC	M51A032X-W	M52A062X-W	M53A072X-W	.25	365
7/8 Bore Shaft and Hub (145TC)					
24 VDC	M51C032Y-W	M52C062Y-W	M53C072Y-W	.91	26.4
90 VDC	M51C032X-W	M52C062X-W	M53C072X-W	.25	365

Double C-Face Power-Off Brakes

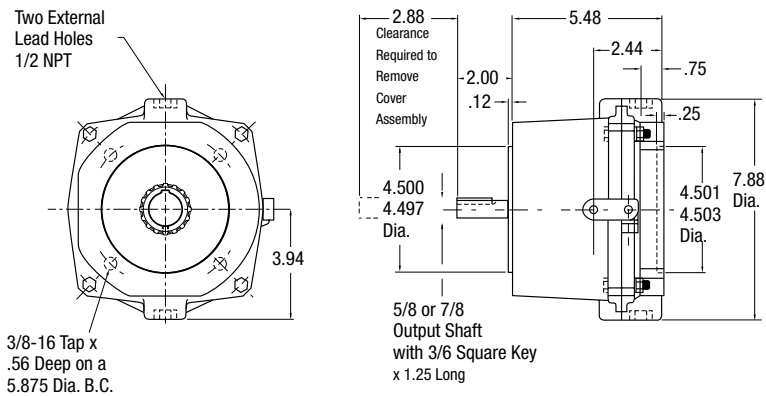
M Series DC Coupler Brakes with NEMA 2 Housing Aluminum Head and Cover

56,700 NEMA 2

Stearns®



Warner UNIBRAKE®



UNIBRAKE® Interchange

Stearns® Part Number	Warner Electric Replacement
1-056-711-05-UF	M51A032Y-W
1-056-711-05-XF	M51A032X-W
1-056-711-07-UF	M51C032Y-W
1-056-711-07-XF	M51C032X-W
1-056-721-05-UF	M52A062Y-W
1-056-721-05-XF	M52A062X-W
1-056-721-07-UF	M52C062Y-W
1-056-721-07-XF	M52C062X-W
1-056-731-05-UF	M53A072Y-W
1-056-731-05-XF	M53A072X-W
1-056-731-07-UF	M53C072Y-W
1-056-731-07-XF	M53C072X-W

Premier Industrial Company Leading Brands

OTHER PRODUCT SOLUTIONS FROM **REGAL REXNORD**

Our comprehensive product offerings include various types of clutches and brakes, overrunning clutches, engineered bearing assemblies, gearing and gear motors along with linear motion products, belted drives, couplings, limit switches, precision motors, drives & controls, and miniature motors. With thousands of product solutions available, Regal Rexnord provides true single source convenience while meeting specific customer requirements. Many major OEMs and end users prefer Regal Rexnord products as their No. 1 choice for performance and reliability.

WWW.REGALREXNORD.COM



Electric Clutches & Brakes

Stromag
Warner Electric



Precision Motors & Automation

Kollmorgen



Heavy Duty Clutches & Brakes

Industrial Clutch
Stromag
Svendborg Brakes
Twiflex
Wichita Clutch



Miniature Motors

Portescap



Overrunning Clutches

Formsprag Clutch
Marland Clutch
Stieber



Linear Systems

Thomson



Engineered Couplings & Universal Joints

Ameridrives
Bibby Turboflex
Guardian Couplings
Huco
Lamiflex Couplings
Stromag
TB Wood's



Specialty Components

Kilian
Stromag
TB Wood's



Gear Drives & Gear Motors

Bauer Gear Motor
Boston Gear
Delroyd Worm Gear
Nuttall Gear

Warner Electric Facilities

North America

USA

31 Industrial Park Road
New Hartford, CT 06057 - USA
860-379-1252

*Electromagnetic Clutches
and Brakes*

449 Gardner Street
South Beloit, IL 61080 - USA
815-389-3771

4578 East Park 30 Drive
Columbia City, IN 46725 - USA
260-244-6183

*Precision Electric Coils and
Electromagnetic Clutches and
Brakes*

Customer Service

1-800-825-6544

Application Support

1-800-825-9050

Europe

France

7 rue de Champfleure - CS20095
49182 St Barthelemy d'Anjou - France
+33 (0)2 41 21 24 24

*Electromagnetic Clutches
and Brakes*

Customer Service

+33 (0)2 41 21 24 76

Application Support

+33 (0) 2 41 21 24 24

Asia Pacific

Australia

+61 2 9894 0133

China

+86 21 5169-9255

Hong Kong

+852 2615 9313

Singapore

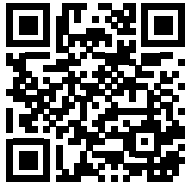
+65 6487 4464

Taiwan

+886 2 2577 8156

Thailand

+66 2322 5527



Scan to see all
the brands of
Regal Rexnord

Neither the accuracy nor completeness of the information contained in this publication is guaranteed by the company and may be subject to change in its sole discretion. The operating and performance characteristics of these products may vary depending on the application, installation, operating conditions and environmental factors. The company's terms and conditions of sale can be viewed at <http://www.altramotion.com/terms-and-conditions/sales-terms-and-conditions>. These terms and conditions apply to any person who may buy, acquire or use a product referred to herein, including any person who buys from a licensed distributor of these branded products.

©2023 by Warner Electric LLC. All rights reserved. All trademarks in this publication are the sole and exclusive property of Warner Electric LLC or one of its affiliated companies.



A REGAL REXNORD BRAND

www.warnerelectric.com

P-1661-WE 5/18