



**Spring-Applied
Electrically
Released
ERX Slim
Brakes
For Industrial
Applications**



THE WARNER ELECTRIC ADVANTAGE

Warner Electric is a global leader in developing innovative electromagnetic clutch and brake solutions. Warner Electric engineers utilize the latest materials and manufacturing technologies to design long-life and easy-to-use clutches and brakes for improved accuracy and reliability. We pride ourselves on customer service. With employees based around the world, we are able to design, manufacture, and quickly deliver high-quality products across various global locations.

We manufacture a full line of products to solve your motion control needs: -power-on and spring-applied friction clutches and brakes, motor brakes, controls, and moment of inertia measuring equipment.

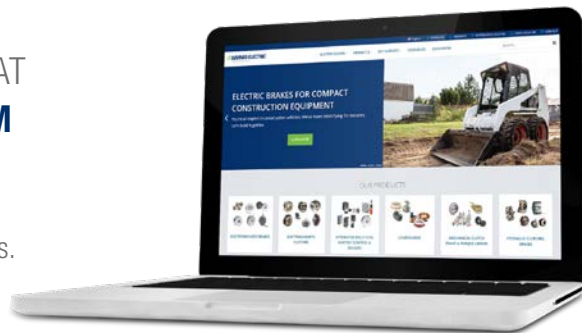
Warner Electric engineers excel in customizing solutions that meet our OEM's unique needs. Each of our standard catalog clutches and brakes can be adapted to meet a wide variety of applications. Put our engineering to the test and contact Warner Electric today!

At Warner Electric, we provide solutions!



VISIT US ON THE WEB AT
WARNERELECTRIC.COM

Visit our website for our full line of products, key markets served, literature, and newsroom updates.



SPRING-APPLIED ELECTRICALLY RELEASED ERX SLIM BRAKES

- Torque range from 5 to 75 Nm
- Single brake
- Easy installation
- Indoor application
- Non-Sticking friction material
- CE / UL / CSA Approved



Applications



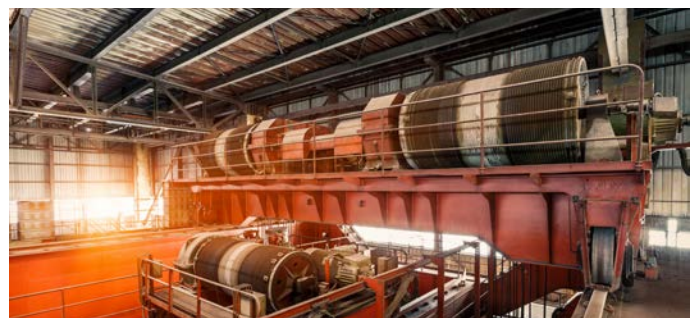
Wind Turbines



Industrial Motors



Cranes



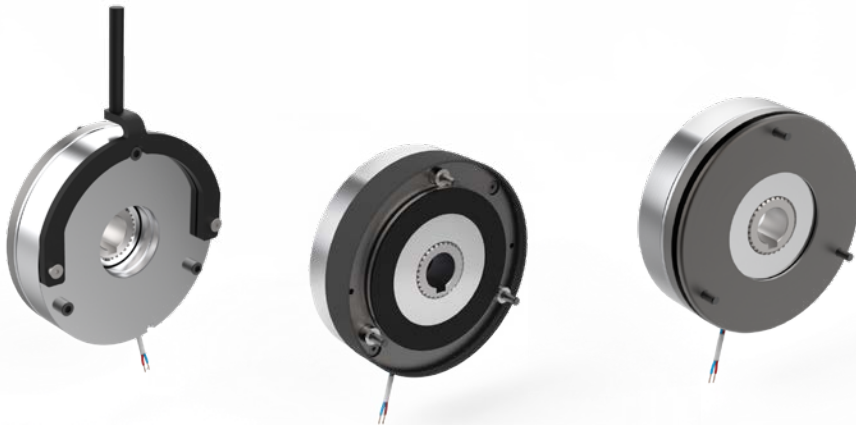
Chain Hoists

FEATURES

The ERX Slim is a spring-applied, power-off electromagnetic brake range designed for parking and holding applications. The design also offers emergency stop capabilities.

With our three friction material options, the ERX Slim brake can be configured to meet specific application requirements, e.g., speed, energy, or torque. Several other options are available to customize the brake design for specific applications.

Voltage	Single voltage as standard (24V, 103.5V, 180V, 207V, 225V)
Magnet Insulation	Class F – 155°C
Ambient Temperature Range	-25 to 40°C
Duty Cycle	100% energized
Torque Range	5 to 75 Nm
Options	Hand lever release, dust cover, and flange or a combination
Certifications	CE / UL / CSA approved
Note	<ul style="list-style-type: none"> • For dry use • Indoor application • Non-Sticking friction material



Images depict examples of configurations. Please refer to configurator on page 7 to define your required version or contact Warner Electric.

Applications



Wind Turbines



Industrial Motors



Cranes

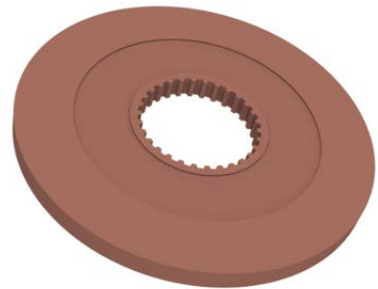


Chain Hoists

FRICTION MATERIAL TORQUE DATA

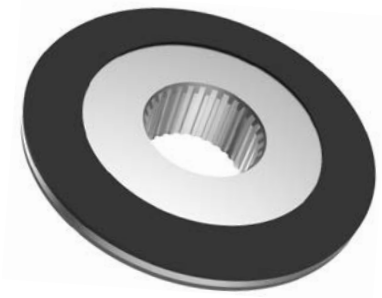
Monobloc Friction (ST)

Monobloc	Torque up to speed *		Max energy allowed per braking up to speed [Joule]
	[Nm]	[rpm]	
ERX 5	5	5000	2000
ERX 10	10	3500	3000
ERX 20	20	2500	4000
ERX 35	35	2000	8000
ERX 60	60	2000	12000



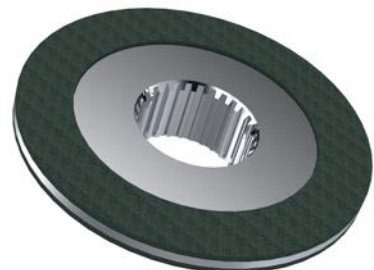
High Torque Friction (HT)

Monobloc	Torque up to speed *		Max energy allowed per braking up to speed [Joule]
	[Nm]	[rpm]	
ERX 5	8	2500	3000
ERX 10	15	2000	5000
ERX 20	30	1700	8000
ERX 35	50	1400	12000
ERX 60	75	1200	16000



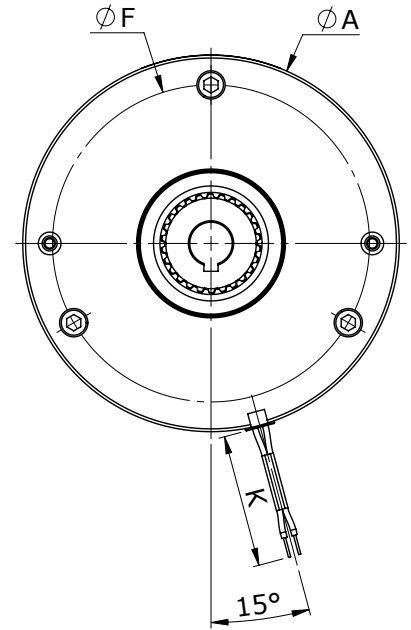
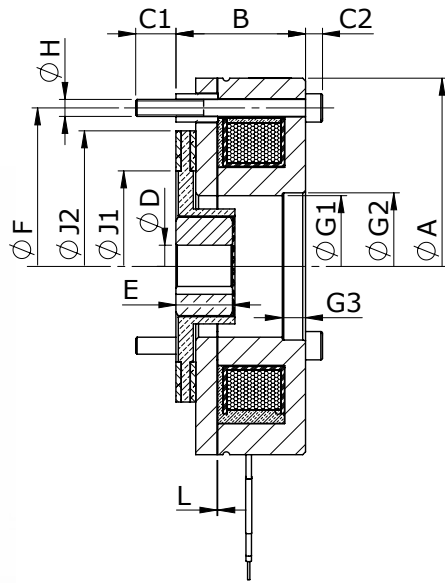
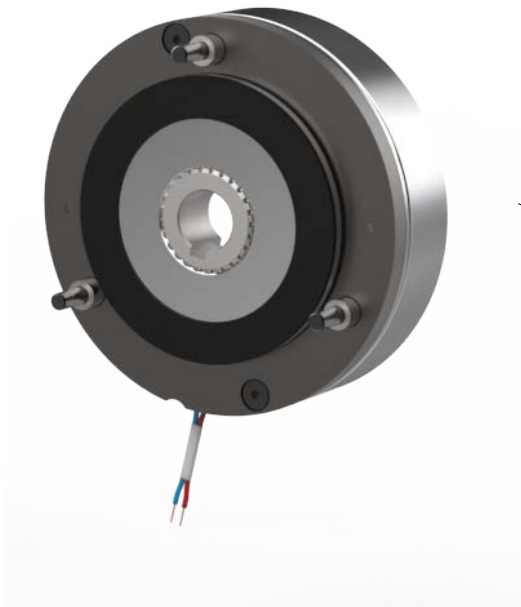
High Energy Friction (HS)

Monobloc	Torque up to speed *		Max energy allowed per braking up to speed [Joule]
	[Nm]	[rpm]	
ERX 5	5	7000	800
ERX 10	10	5500	1200
ERX 20	20	4600	2000
ERX 35	35	3800	3500
ERX 60	60	3500	5000



* Please contact us if the speed of your application exceeds the specified speed. Our engineers will find a solution for you.

DIMENSIONS



Dimensions

Brake	ØA [mm]	B [mm]	C1 [mm]	C2 [mm]	ØD H7 [mm]	E [mm]	ØJ1 [mm]	ØJ2 [mm]	ØG1 [mm]	ØG2 [mm]	G3 [mm]	F [mm]	ØH [mm]	L Min [mm]	L Max [mm]	K [mm]
ERX 05	84	39,1	10,9	4	10H7	18	48	60	30	32	8,2	72	3xM4	0,2	0,5	400
ERX 10	98	39	11	5	15H7	20	60	77	37	40	8,2	90	3xM5	0,2	0,5	480
ERX 20	133	46	14	6	20H7	20	67,5	96	50	52	8,2	112	3xM6	0,2	0,5	580
ERX 35	153	46	14	6	25H7	25	80	116	50	52	8,2	132	3xM6	0,2	0,5	720
ERX 60	164	54	16	8	30H7	30	145	145	59	62	8,2	145	3xM8	0,2	0,5	740

AVAILABLE OPTIONS

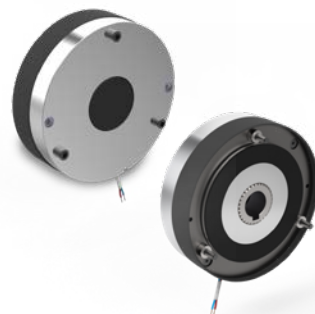
Hand-Lever

For manual release



Dust Cover Kit

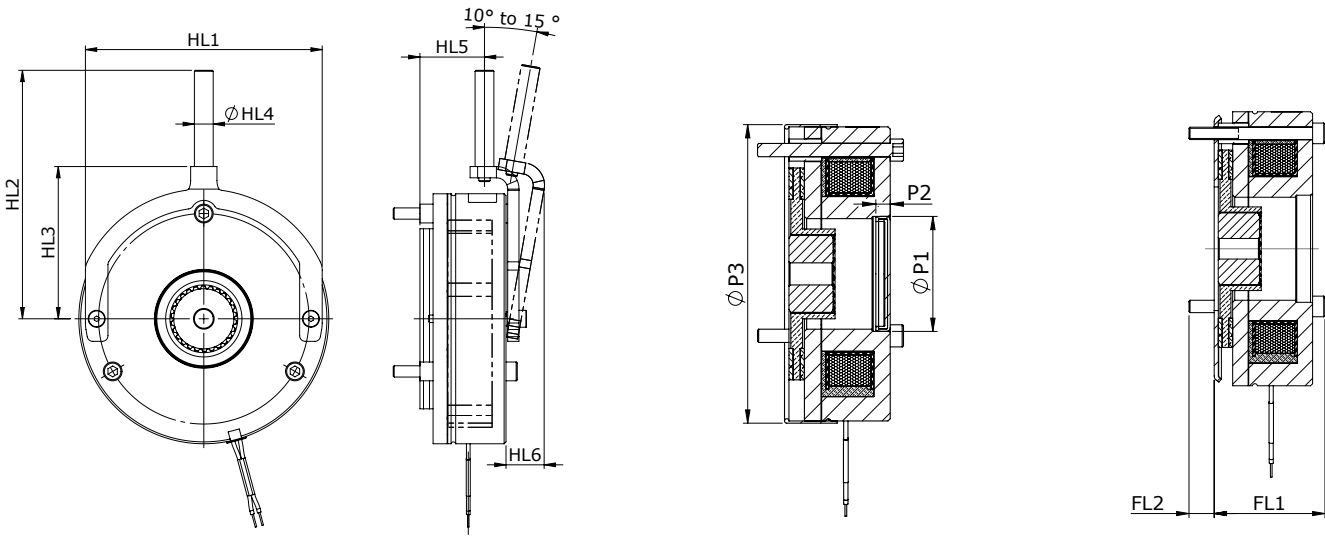
To prevent dust pollution



Flange

For applications requiring an intermediate flange





Hand Release Lever Option

Brake	HL1 [mm]	HL2 [mm]	HL3 [mm]	HL4 [mm]	HL5 [mm]	HL6 [mm]
ERX 05	85	107	59	8	15,7	10
ERX 10	97	113	65	8	16,3	16
ERX 20	126	132,2	81	10	34,3	20,3
ERX 35	152	161	91	10	29,3	21
ERX 60	164	196	105	12	33,5	25

Dust Cover Option

Brake	ØP1 [mm]	P2 [mm]	ØP3 [mm]	P4 [mm]
ERX 05	32	7	89	-
ERX 10	40	7	109,45	41
ERX 20	52	6,5	135	47,8
ERX 35	52	6,5	155	-
ERX 60	62	8	172	-

Flange Option

Brake	ØP1 [mm]	P2 [mm]
ERX 05	44,6	9,4
ERX 10	46	9
ERX 20	53,8	12,2
ERX 35	54	12
ERX 60	56	14

HOW TO ORDER WITH OUR CONFIGURATOR

ERXS	-V	-F	-HB	-FL	-P	-L
Brake Size	Voltage (VDC)	Friction	Hub Bore	Flange Option	Protection Option	Lever Option
05	24	ST Monobloc	Specify Hub Bore Size in mm	0 No	0 No	0 No
10	103	HT High Torque		1 Yes	1 Yes	1 Yes
20	180	HS High Speed				
35	207					
60	225					

Configuration Example:

ERXS05-V024-FST-HB10-FL1-P0-L0

ERX Slim Brake Size 05, Voltage 24V with monobloc friction material, Hub bore diameter 10 with flange option, without protection and without lever



Warner Electric Facilities

North America

USA

31 Industrial Park Road
New Hartford, CT 06057 - USA
860-379-1252

*Electromagnetic Clutches
and Brakes*

449 Gardner Street
South Beloit, IL 61080 - USA
815-389-3771

4578 East Park 30 Drive
Columbia City, IN 46725 - USA
260-244-6183

*Precision Electric Coils and
Electromagnetic Clutches and
Brakes*

Customer Service
1-800-825-6544

Application Support
1-800-825-9050

Europe

France

7 rue de Champfleu - CS20095
49182 St Barthelemy d'Anjou - France
+33 (0)2 41 21 24 24

*Electromagnetic Clutches
and Brakes*

Customer Service
+33 (0)2 41 21 24 76

Application Support
+33 (0) 2 41 21 24 24

Asia Pacific

Australia

+61 2 9894 0133

China

+86 21 5169-9255

Hong Kong

+852 2615 9313

Singapore

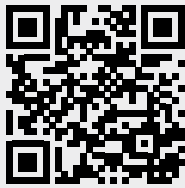
+65 6487 4464

Taiwan

+886 2 2577 8156

Thailand

+66 2322 5527



Scan to see all
the brands of
Regal Rexnord

Neither the accuracy nor completeness of the information contained in this publication is guaranteed by the company and may be subject to change in its sole discretion. The operating and performance characteristics of these products may vary depending on the application, installation, operating conditions and environmental factors. The company's terms and conditions of sale can be viewed at <https://www.warnerelectric.com/company/terms-and-conditions>. These terms and conditions apply to any person who may buy, acquire or use a product referred to herein, including any person who buys from a licensed distributor of these branded products.

©2023 by Warner Electric LLC. All rights reserved. All trademarks in this publication are the sole and exclusive property of Warner Electric LLC or one of its affiliated companies.