

I N T R O D U C I N G

# WR225 VAR00

## Spring Applied Electrical Released Brakes

**Highly reliable, built-in-flexible design  
for static engagement with some  
emergency stop capability**

Units are highly reliable, spring applied devices designed as statically engaged/disengaged holding brakes. Compact **WR225** VAR00 brakes are specifically designed for static engagement with some emergency stop capability.

Warner Electric approaches every application from the standpoint of finding the best functional solution, built-in-flexible design allows **WR225** VAR00 brakes to be customised to fit many applications.

### Typical Applications

- Scooters/Wheelchairs
- Patient hoists
- Handheld power tools
- Conveyors
- Machine tools
- Robotics
- Floor sweepers/cleaners

### Features

- Extremely compact design
- Intended for use in static applications
- 2 Nm torque up to 4 Nm torque
- Maximum hub bore 10 mm
- 57 mm shell diameter
- Various mounting plates available
- Magnet or flange mount
- RoHS compliance



Industrie Service



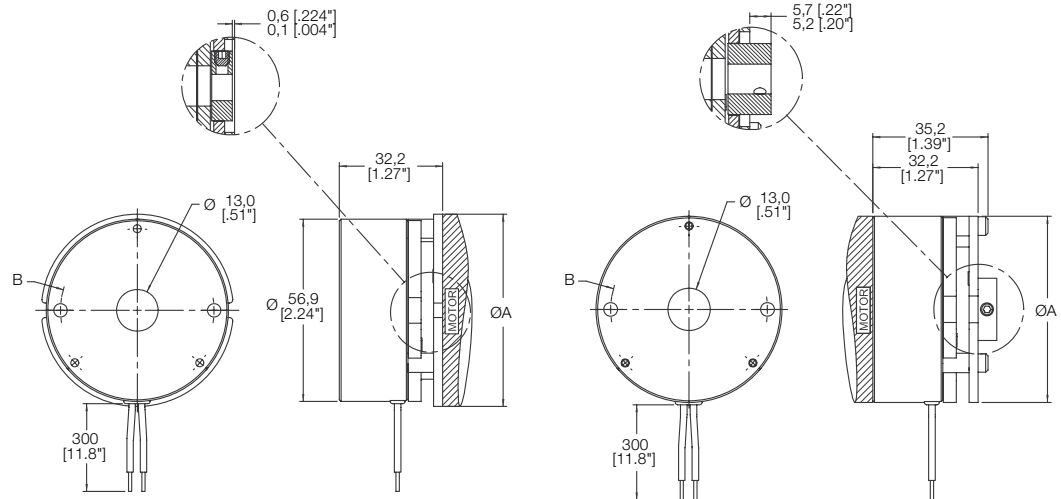


## WR225 VAR00

# Spring Applied Electrical Released Brakes

Flange Mount

Magnet Mount



### Specifications

(Other non-standard voltage, power, lead length or color available upon request and subject to extra charge)





Static Torque	Temperature	Duty Cycle	Voltage	Power
2 Nm 3 Nm 4 Nm	Ambient -20 / +40 °C	50% max	12 VDC 24 VDC	11 Watt

**Options** (Other lengths, diameters or shapes available upon request and subject to tooling charge)

Flange Mount		
End plate outer Ø A	Mounting PCD Ø B	No. holes
*60 mm (2.24")	*48 mm (1.89")	2
70 mm (2.76")	62 mm (2.44")	2
75 mm (2.95")	68 mm (2.68")	2, 3, or 4
80 mm (3.15")	72 mm (2.84")	2, 3, or 4

Magnet Mount		
End plate outer Ø A	Mounting PCD Ø B	No. holes
*57 mm (2.24")	*48 mm (1.89")	2

\* Only available on torque range 3 Nm max

Hexagonal Hub drive		Hexagonal Plastic Friction disc	Hexagonal Fiber Friction disc
Ø Options plain	Ø Options D drive		
 6,0 mm 6,35 mm (0.25") 8,0mm 9,5 mm (3/8") 10,0 mm	 8,0 mm 10,0 mm		

**N.B.:** Options to be selected with Warner Electric Sales Engineers

Subject to alteration without prior notice